



Fabco PTO 175-23 Transfer Case Parts Manual

Pro Gear Fabco PTO 175-23 Transfer Case Parts Manual to assist in identifying your Fabco unit.

If you need any assistance identifying the correct transfer case unit for your truck and equipment, contact your Fabco replacement part specialists at Pro Gear and Transmission.

Pro Gear Transmission has same day shipping and 1000's of products in stock and ready to ship internationally for your next project.

For parts or service contact the Fabco specialists at Pro Gear & Transmission, Inc.

1 (877) 776-4600
(407) 872-1901
parts@eprogear.com

SECTION A-A

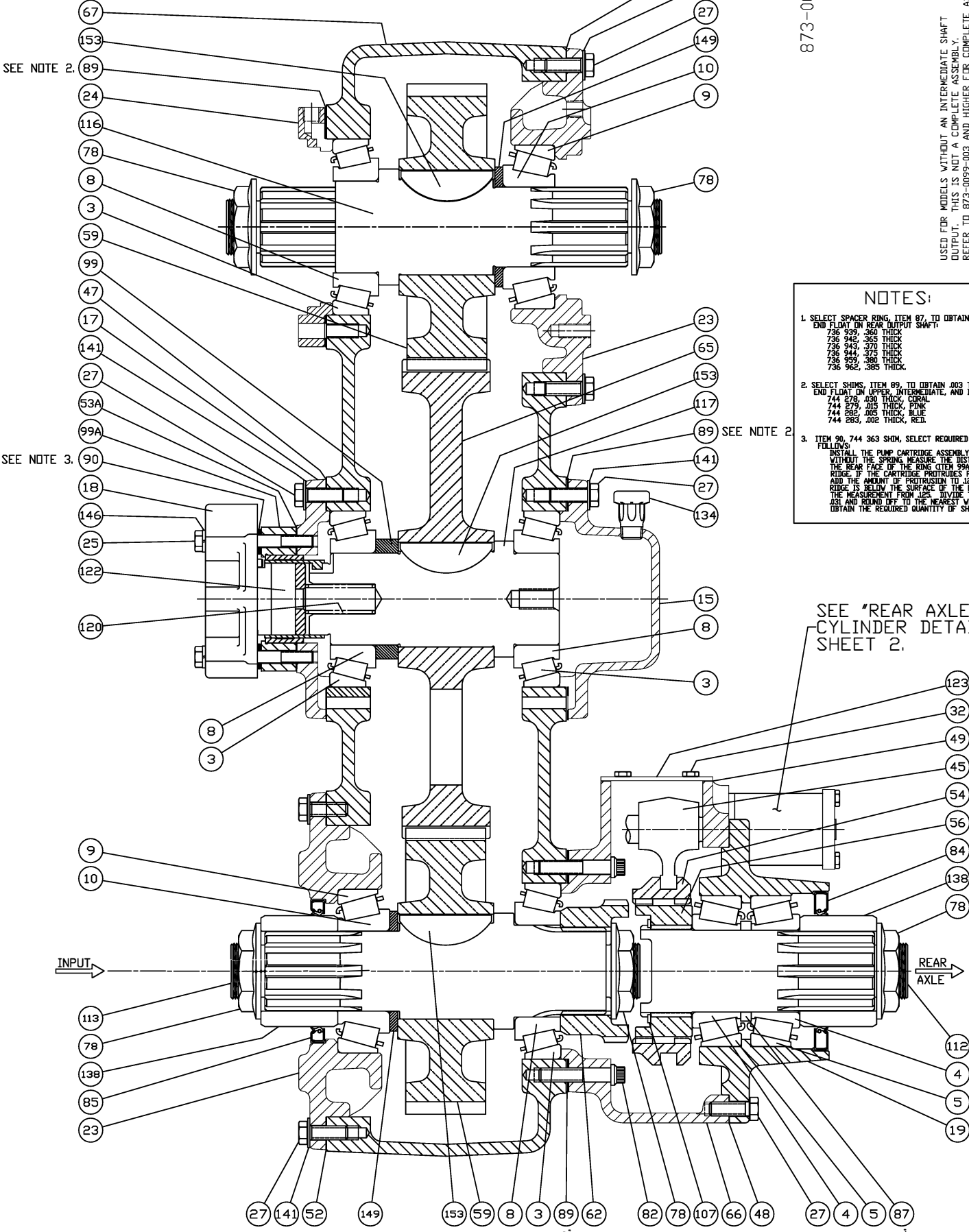
873-0099-002

USED FOR MODELS WITHOUT AN INTERMEDIATE SHAFT OUTPUT. THIS IS NOT A COMPLETE ASSEMBLY. REFER TO 873-0099-003 AND HIGHER FOR COMPLETE ASSEMBLIES.

BASIC PARTS FOR MODEL PTD-175-23

PROG. NO.	REV.	DATE	BY	CHKD.

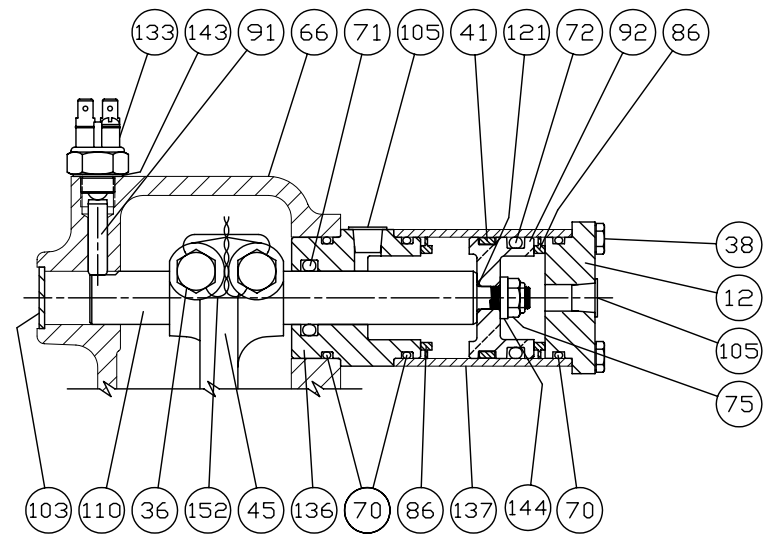
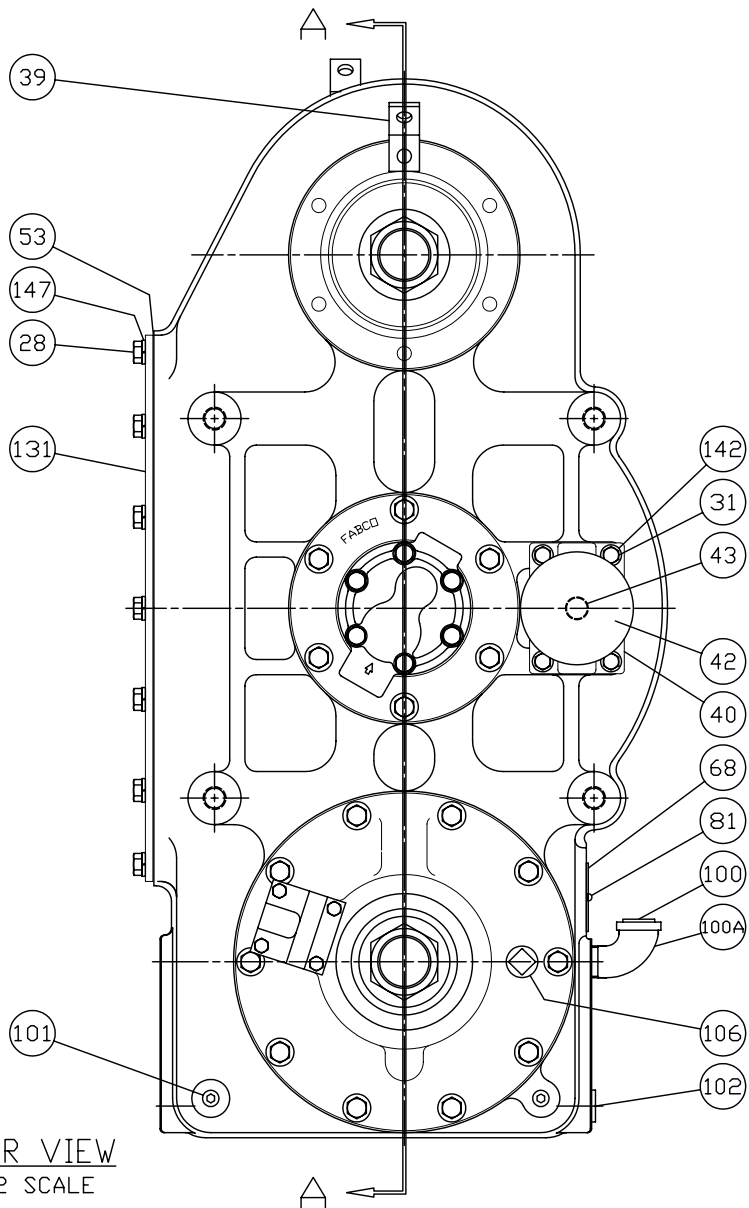
873-0099-002 2



- NOTES:**
1. SELECT SPACER RING, ITEM 87, TO OBTAIN .003 TO .008 END FLOAT ON REAR OUTPUT SHAFT:
 736 939, 360 THICK
 736 942, 365 THICK
 736 943, 370 THICK
 736 944, 375 THICK
 736 959, 380 THICK
 736 962, 385 THICK
 2. SELECT SHIMS, ITEM 89, TO OBTAIN .003 TO .008 END FLOAT ON UPPER, INTERMEDIATE, AND INPUT SHAFT:
 744 278, .030 THICK, CORAL
 744 279, .015 THICK, PINK
 744 282, .005 THICK, BLUE
 744 283, .002 THICK, RED
 3. ITEM 90, 744 363 SHM, SELECT REQUIRED QUANTITY AS FOLLOWS:
 INSTALL THE PUMP CARTRIDGE ASSEMBLY TO THE SHAFT WITHOUT THE SPRING. MEASURE THE DISTANCE BETWEEN THE REAR FACE OF THE RING (ITEM 99A) AND THE CART- RIDGE. IF THE CARTRIDGE PROTRUDES FROM THE RING, ADD THE AMOUNT OF PROTRUSION TO .125. IF THE CART- RIDGE IS BELOW THE SURFACE OF THE RING, SUBTRACT THE MEASUREMENT FROM .125. DIVIDE THE RESULT BY .031 AND ROUND OFF TO THE NEAREST WHOLE NUMBER TO OBTAIN THE REQUIRED QUANTITY OF SHIMS.

SEE "REAR AXLE SHIFT CYLINDER DETAILS", SHEET 2.

REAR VIEW
1/2 SCALE



REAR AXLE SHIFT CYLINDER DETAILS

<small>THE DESIGN AND TECHNICAL INFORMATION APPEARING ON THIS DRAWING IS THE PROPERTY OF FARCO AUTOMOTIVE CORP. AND IS REPRODUCED BY COMPUTER AIDED DESIGN. IT IS NOT TO BE COPIED, REPRODUCED, OR TRANSMITTED IN ANY FORM OR BY ANY MEANS, WITHOUT THE EXPRESS WRITTEN CONSENT OF FARCO AUTOMOTIVE CORP.</small>	PART NUMBER 873-0099-002		BASIC PARTS FOR MODEL PTO-175-23
	<small>DESIGNED BY</small> K. HALGEN	<small>DATE</small> 6/23/06	<small>SCALE</small> FULL
<small>DATE</small> 		<small>SCALE</small> 1/2 NET SCALE DRAWING	<small>LATEST REV.</small> []
<small>DATE</small> 			<small>SHEET OF</small> 2

SHEET 1 'E' SIZE.