



Fabco TC-170 & TC-170 PD Transfer Case Parts Manual

Pro Gear Fabco TC-170 & TC-170 PD Transfer Case Parts Manual to assist in identifying your Fabco unit.

If you need any assistance identifying the correct transfer case unit for your truck and equipment, contact your Fabco replacement part specialists at Pro Gear and Transmission.

Pro Gear & Transmission has same day shipping and 1000's of products in stock and ready to ship internationally for your next project.

For parts or service contact the Fabco specialists at Pro Gear & Transmission, Inc.

1 (877) 776-4600
(407) 872-1901
parts@eprogear.com



Automotive Corporation

**FABCO TC-170 &
TC-170 PD
TRANSFER CASE
PARTS MANUAL**

VII. PARTS MANUAL

TABLE OF CONTENTS

Fig. P.1.....	31	TC-170/TC-170 PD Intermediate Shaft Assembly with Lubrication Pump.....	43
Fig. P.2.....	32	TC-170 Front Output Shaft Assembly.....	45
Fig. P.3.....	33	TC-170 Rear Output Shaft Assembly without Neutral.....	47
Fig. P.4.....	34	TC-170 Rear Output Shaft Assembly with Neutral.....	49
TC-170/TC-170 PD Upper shaft Assembly w/o PTO or hydraulic pump output.....	35	TC-170 PD 33/67 Lower Shaft Assembly.....	51
TC-170 Upper Shaft Assembly with PTO Output.....	37	TC-170 PD 50/50 Lower Shaft Assembly.....	53
TC-170 Upper Shaft Assembly with Hydraulic Pump Output.....	39	TC-170/TC-170 PD Single Acting Air Shift Cylinder Assembly.....	55
TC-170/TC-170 PD Intermediate Shaft Assembly without Lubrication Pump.....	41	Parts not Illustrated.....	57

TO USE THIS PARTS MANUAL

1. Refer to the view which illustrates the needed part.
2. Find the Required part in the view and then note the item number.
3. Locate the item number in the parts list for part number, description, and quantity.

NOTE: When ordering parts, specify model number, part number, serial number or other information that is on the Fabco nameplate located on the transfer case housing.

Part numbers contained in this manual were in effect at the time the manual was approved for printing and are subject to change without notice or liability. Fabco Automotive Corporation reserves the right to change parts at anytime.

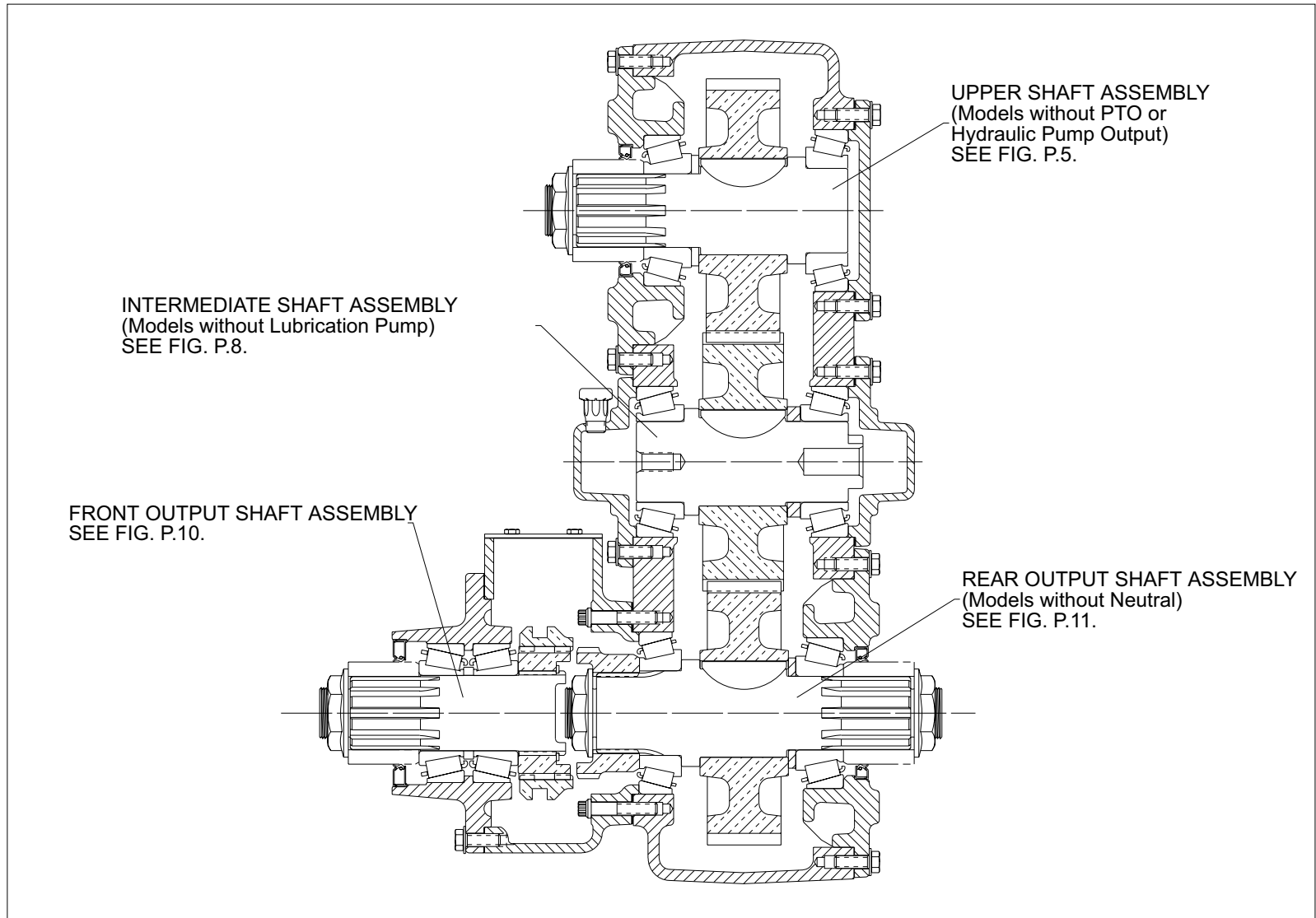


FIG P.1 - TYPICAL TC-170 BASIC TRANSFER CASE

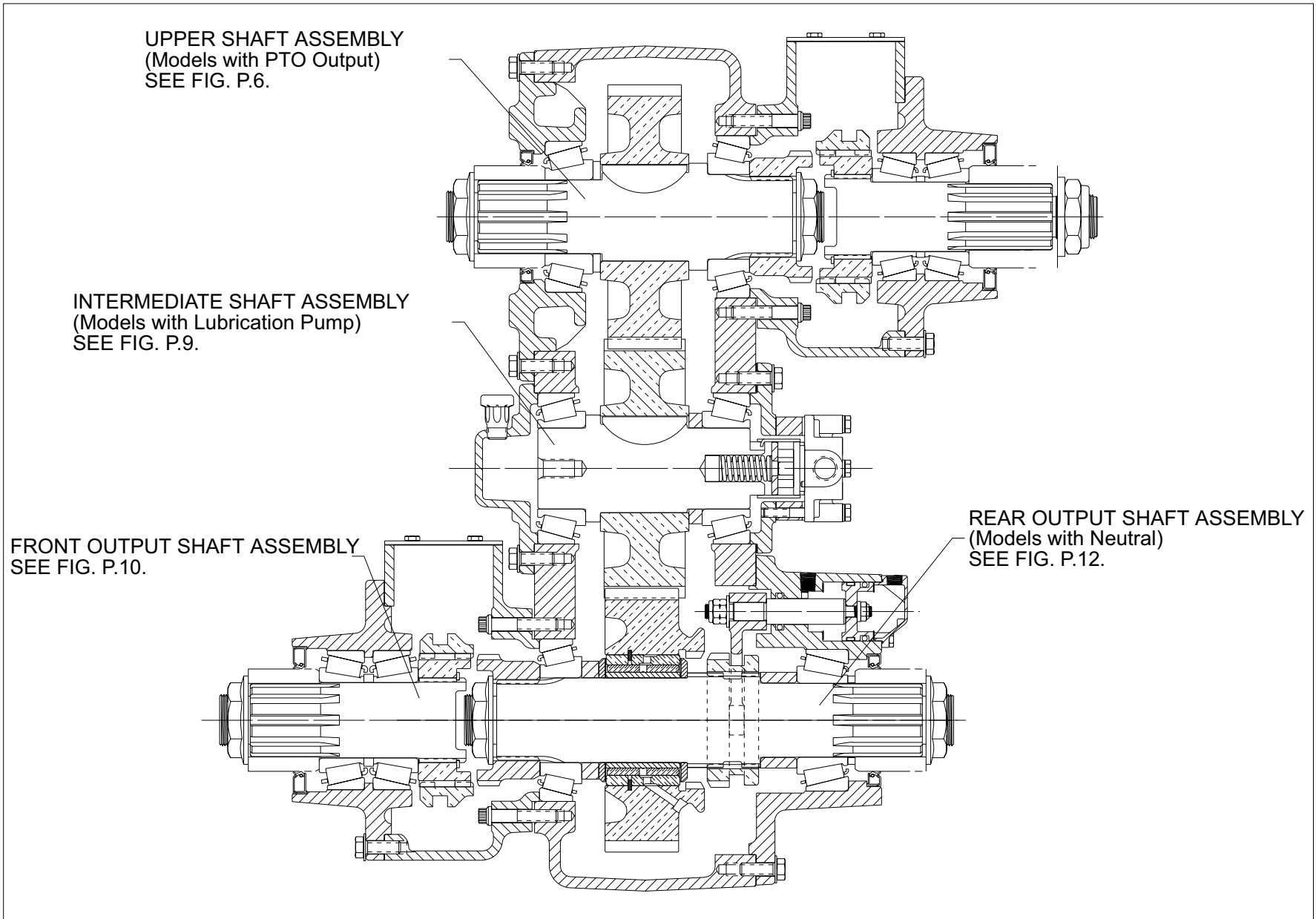


FIG P.2 -TYPICAL TC-170 BASIC TRANSFER CASE
(SHOWN WITH NEUTRAL, PTO, AND LUBRICATION PUMP)

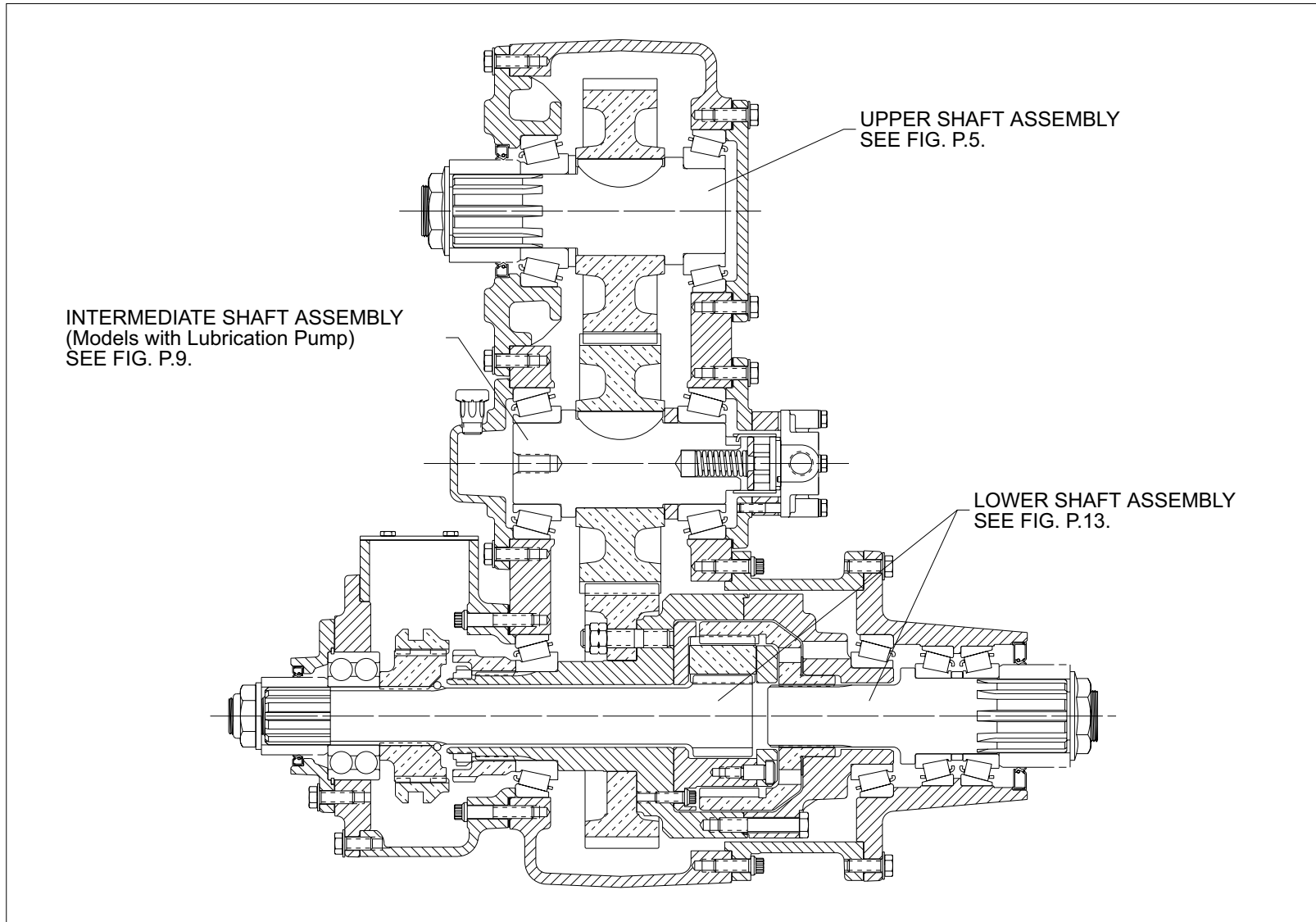


FIG P.3 - TYPICAL TC-170 P.D. TRANSFER CASE (with 33/67 PROPORTIONAL DIFFERENTIAL)

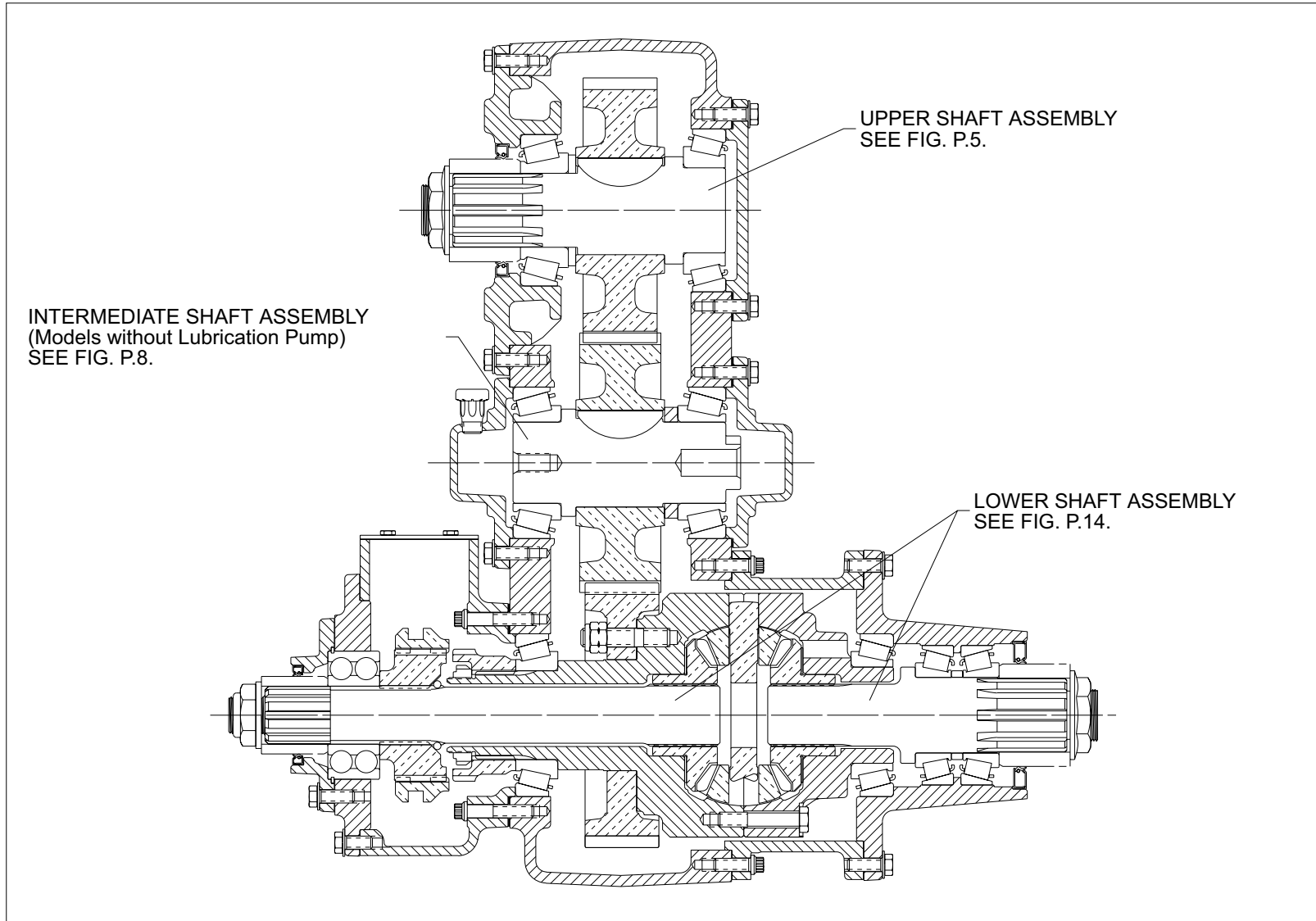


FIG P.4 - TYPICAL TC-170 P.D. TRANSFER CASE (with 50/50 PROPORTIONAL DIFFERENTIAL)

TC-170/TC-170 P.D. UPPER SHAFT ASSEMBLY
Models without PTO or Hydraulic Pump Output.
See Fig. P.5.

<u>ITEM</u>	<u>PART NO.</u>	<u>DESCRIPTION</u>	<u>QTY.</u>	<u>FOOT NOTE</u>
1	688-0738	Locknut, 1 3/4-12	1	
2	732-0355	Oil Seal	1	
3	237-0542-001	Carrier	1	1
	237-0542-003	Carrier	1	2
4	427-0523	Gasket	1	
5	233-0492	Bearing Cup	1	
6	233-0493	Bearing Cone	1	
7	927-0797	Washer (3.75 OD x 2.51 ID x .25 Thick)	1	
8	432-0628	Gear	1	
9	776-0229	Shaft	1	
10	966-0326	Woodruff Key	1	
11	233-0489	Bearing Cone	1	
12	233-0375	Bearing Cup	1	
13	744-0278	Shim, .030 Coral	A/R	3
	744-0279	Shim, .015 Pink	A/R	3
	744-0282	Shim, .005 Blue	A/R	3
	744-0283	Shim, .002 Red	A/R	3
14	235-0568-001	Cap	1	1
	235-0568-002	Cap	1	2
15	265-0238	Cap, Screw, 7/16-14 x 1 1/4 Hex Head	16	
16	927-0347	Washer, 7/16 Flat	16	

Footnotes:

1. Models without lubrication pump.
2. Models with lubrication pump.
3. See service manual.

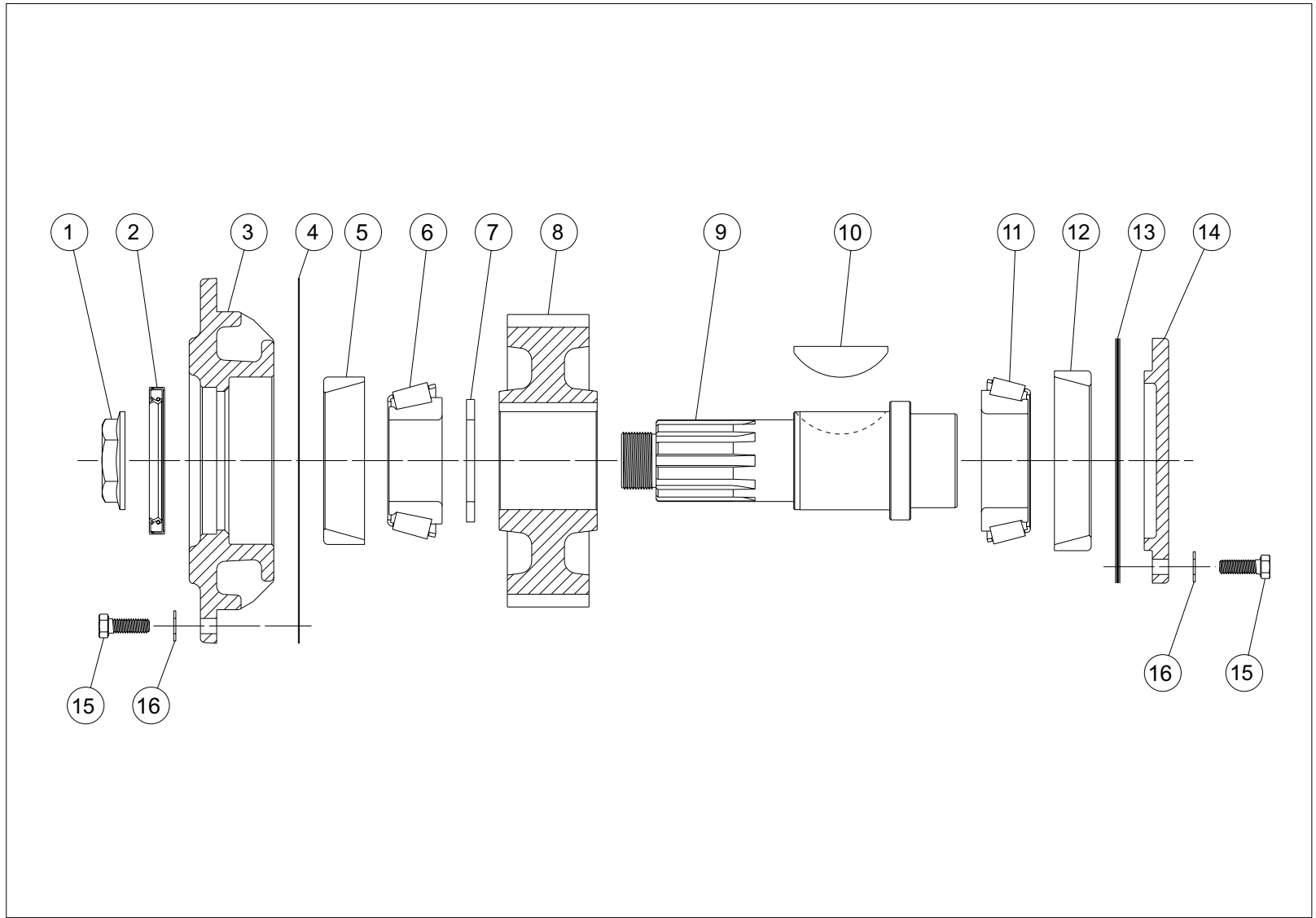


FIG P.5 - UPPER SHAFT ASSEMBLY
Models without PTO or Hydraulic Pump Output

TC-170 UPPER SHAFT ASSEMBLY

Models with PTO Output.

See Fig. P.6.

ITEM	PART NO.	DESCRIPTION	QTY.	FOOT NOTE	ITEM	PART NO.	DESCRIPTION	QTY.	FOOT NOTE
1	688-0738	Locknut, 1 3/4-12	2		18	792-0866	Plate, Cover	1	
2	732-0355	Oil Seal	1		19	427-0376	Gasket	1	
3	237-0542-003	Carrier	1		20	432-0426	Gear, Clutch Collar	1	
4	427-0523	Gasket	1		21	762-0288	Snap Ring	1	
5	233-0492	Bearing Cup	1		22	776-0237	Shaft	1	
6	233-0493	Bearing Cone	1		23	432-0563	Gear, Clutch	1	
7	927-0797	Washer (3.75 OD x 2.51 ID x .25 Thick)	1		24	233-0523	Bearing Cup and Cone Assy.	2	
8	432-0628	Gear	1		25	756-0233-003	Ring, Bearing Spacer, .306		2
9	776-0233	Shaft	1			756-0233-004	Ring, Bearing Spacer, .311		2
10	966-0326	Woodruff Key	1			756-0233-005	Ring, Bearing Spacer, .316		2
11	233-0489	Bearing Cone	1			756-0233-006	Ring, Bearing Spacer, .321		2
12	233-0375	Bearing Cup	1			756-0233-007	Ring, Bearing Spacer, .326		2
13	432-0634	Gear, Clutch	1			756-0233-008	Ring, Bearing Spacer, .331		2
14	744-0278	Shim, .030 Coral	A/R	1		756-0233-009	Ring, Bearing Spacer, .336		2
	744-0279	Shim, .015 Pink	A/R	1	26	427-0375	Gasket	1	
	744-0282	Shim, .005 Blue	A/R	1	27	237-0393	Carrier	1	
	744-0283	Shim, .002 Red	A/R	1	28	732-0333	Oil Seal	1	
15	478-0232	Housing, Declutch	1		29	927-0775-005	Washer (2.69 OD x 1.54 ID x .25 Thick)	1	
16	724-0677	Cap Screw, 7/16-14 x 2 1/4 12-pt. Head	6		30	688-0694	Locknut, 1 1/2-12	1	
17	265-0343	Cap Screw 1/4-20 x 1/2 Hex Head	4		31	265-0238	Cap Screw, 7/16-14 x 1 1/4 Hex Head	18	
					32	927-0347	Washer, 7/16 Flat	18	

Footnotes:

1. See service manual.
2. Select one spacer ring. See service manual.

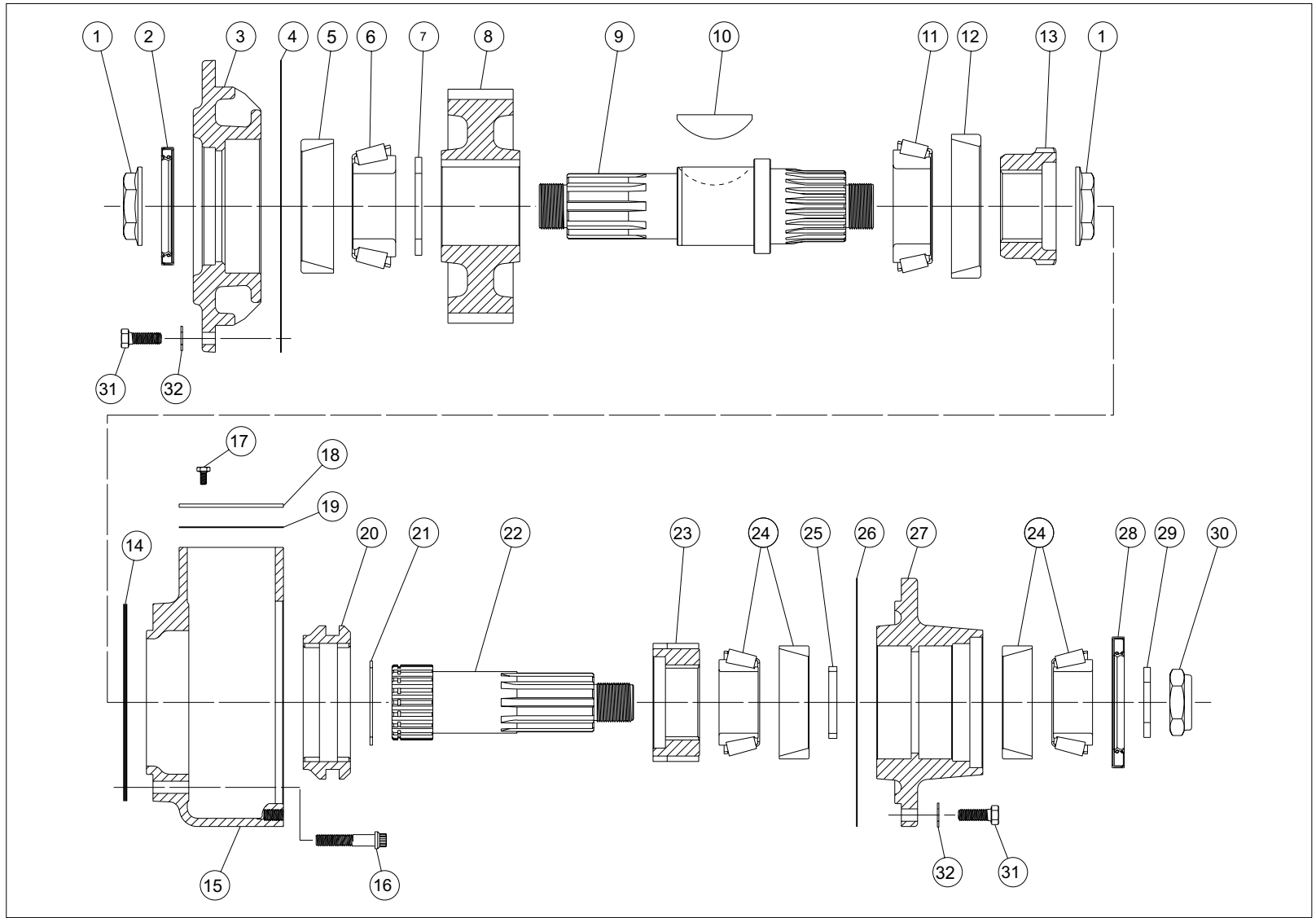


FIG P.6 - UPPER SHAFT ASSEMBLY
Models with PTO Output

TC-170 UPPER SHAFT ASSEMBLY
Models with Hydraulic Pump Output.
See Fig. P.7.

<u>ITEM</u>	<u>PART NO.</u>	<u>DESCRIPTION</u>	<u>QTY.</u>	<u>FOOT NOTE</u>	<u>ITEM</u>	<u>PART NO.</u>	<u>DESCRIPTION</u>	<u>QTY.</u>	<u>FOOT NOTE</u>
1	688-0738	Locknut, 1 3/4-12	2		15	478-0232	Housing, Declutch	1	
2	732-0355	Oil Seal	1		16	724-0677	Cap Screw, 7/16-14 x 2 1/4 12-pt. Head	6	
3	237-0542-003	Carrier	1		17	265-0343	Cap Screw, 1/4-20 x 1/2 Hex Head	4	
4	427-0523	Gasket	1		18	792-0866	Plate, Cover	1	
5	233-0492	Bearing Cup	1		19	427-0376	Gasket	1	
6	233-0493	Bearing Cone	1		20	432-0426	Gear, Clutch Collar	1	
7	927-0797	Washer (3.75 OD x 2.51 ID x .25 Thick)	1		21	432-0494	Gear, Pump Drive, SAE "C" Spline	1	
8	432-0628	Gear	1		22	724-0244	Set Screw, 3/8-16 x 5/8	2	
9	776-0233	Shaft	1		23	688-0693	Locknut, 1/2-13	4	
10	966-0326	Woodruff Key	1		24	427-0375	Gasket	1	
11	233-0489	Bearing Cone	1		25	792-0867	Plate, Pump Mounting	1	
12	233-0375	Bearing Cup	1		26	265-0229	Bolt, 1/2-13 x 1 3/4 Hex Head (Pump Mounting)	4	2
13	432-0634	Gear, Clutch	1		27	265-0239	Cap Screw, 7/16-14 x 1 Hex Head	8	
14	744-0278	Shim, .030 Coral	A/R	1	28	265-0238	Cap Screw, 7/16-14 x 1 1/4 Hex Head	10	
	744-0279	Shim, .015 Pink	A/R	1	29	927-0347	Washer, 7/16 Flat	10	
	744-0282	Shim, .005 Blue	A/R	1					
	744-0283	Shim, .002 Red	A/R	1					

- 39 -

Footnotes:

1. See service manual.
2. The unit is shipped with the bolts listed. When mounting the pump, use longer grade 5 bolts if necessary.

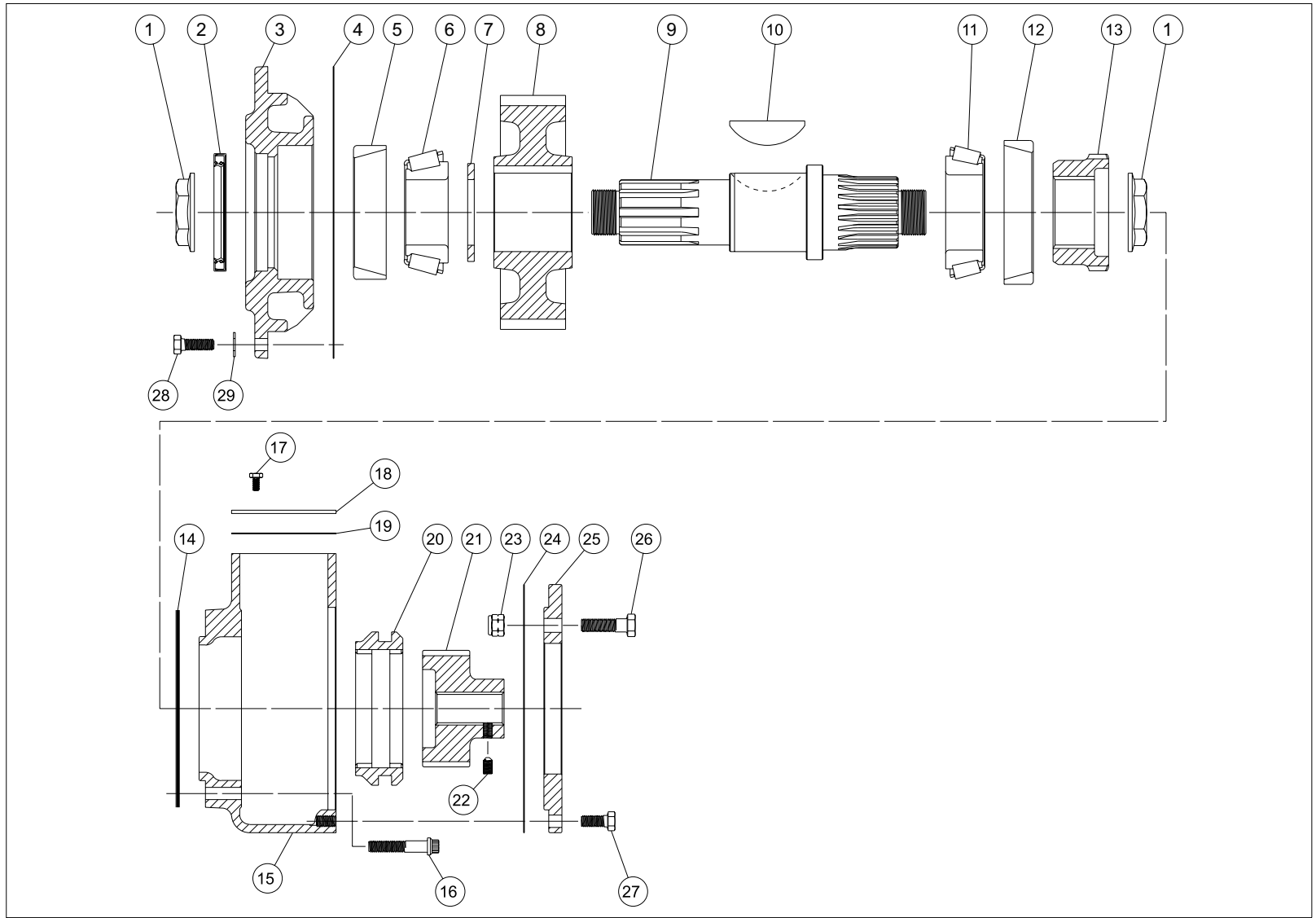


FIG P.7 - UPPER SHAFT ASSEMBLY
Models with Hydraulic Pump Output

TC-170/TC-170 P.D. INTERMEDIATE SHAFT ASSEMBLY
Models without Lubrication Pump
See Fig. P.8.

<u>ITEM</u>	<u>PART NO.</u>	<u>DESCRIPTION</u>	<u>QTY.</u>	<u>FOOT</u> <u>NOTE</u>
1	836-0223	Vent	1	
2	235-0572-001	Cap, Front	1	
3	427-0524	Gasket	1	
4	233-0492	Bearing Cup	2	
5	233-0494	Bearing Cone	2	
6	776-0232	Shaft	1	
7	966-0326	Woodruff Key	1	
8	432-0629	Gear	1	
9	927-0798	Washer	1	
		(3.75 OD x 2.76 ID x .45 Thick)		
10	744-0356-004	Shim, .030 Coral	A/R	1
	744-0356-003	Shim, .015 Pink	A/R	1
	744-0356-002	Shim, .005 Blue	A/R	1
	744-0356-001	Shim, .002 Red	A/R	1
11	235-0572-002	Cap, Rear	1	
12	265-0238	Cap Screw, 7/16-14 x 1 1/4	12	
		Hex Head		
13	927-0347	Washer, 7/16 Flat	12	

Footnotes:

1. See service manual.

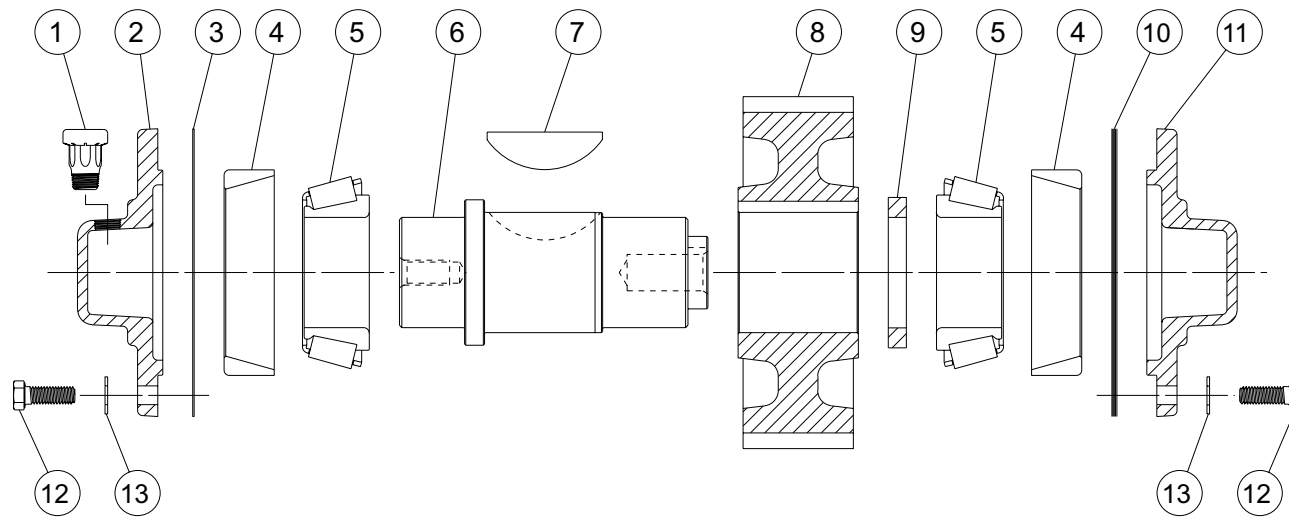


FIG P.8 - INTERMEDIATE SHAFT ASSEMBLY
Models without Lubrication Pump

TC-170/TC-170 P.D. INTERMEDIATE SHAFT ASSEMBLY
Models with Lubrication Pump
See Fig. P.9.

<u>ITEM</u>	<u>PART NO.</u>	<u>DESCRIPTION</u>	<u>QTY.</u>	<u>FOOT</u> <u>NOTE</u>
1	836-0223	Vent	1	
2	235-0572-001	Cap, Front	1	
3	427-0524	Gasket	1	
4	233-0492	Bearing Cup	2	
5	233-0494	Bearing Cone	2	
6	776-0232	Shaft	1	
7	966-0326	Woodruff Key	1	
8	432-0629	Gear	1	
9	927-0798	Washer (3.75 OD x 2.76 ID x .45 Thick)	1	
10	744-0356-004	Shim, .030 Coral	A/R	1
	744-0356-003	Shim, .015 Pink	A/R	1
	744-0356-002	Shim, .005 Blue	A/R	1
	744-0356-001	Shim, .002 Red	A/R	1
11	235-0658	Cap, Oil Pump Mounting	1	
12	777-0536	Spring, Oil Pump	1	
13	786-0296	Oil Pump Cartridge Assembly	1	
14	427-0468	Gasket, Oil Pump	1	
15	756-1324	Ring, Oil Pump	1	
16	744-0324	Shim, Oil Pump	A/R	
17	235-0492	Cap, Oil Pump	1	
18	265-0238	Cap Screw, 7/16-14 x 1 1/4 Hex Head	12	
19	927-0347	Washer, 7/16 Flat	12	
20	265-0828	Cap Screw, 5/16-24 x 3" Hex Head	6	
21	927-0299	Lock Washer, 5/16	6	

Footnotes:

1. See service manual.

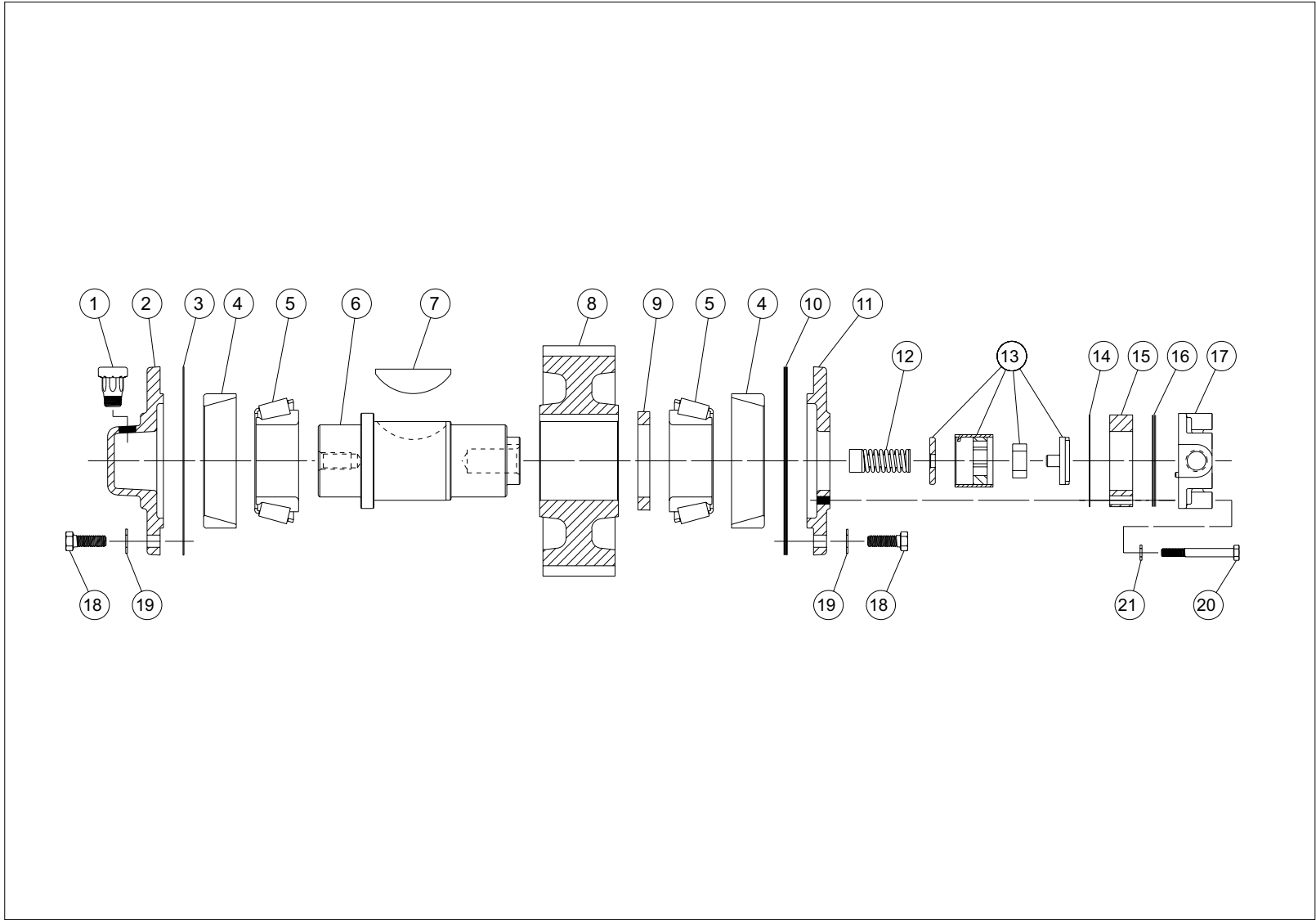


FIG P.9 - INTERMEDIATE SHAFT ASSEMBLY
Models with Lubrication Pump

TC-170 FRONT OUTPUT SHAFT ASSEMBLY

See Fig. P.10.

ITEM	PART NO.	DESCRIPTION	QTY.	FOOT NOTE	ITEM	PART NO.	DESCRIPTION	QTY.	FOOT NOTE	
1	688-0738	Locknut, 1 3/4-12	1		11	432-0426	Gear, Clutch Collar	1		
2	732-0333	Oil Seal	1		12	478-0232	Housing, Declutch	1		
3	233-0443	Bearing Cone	2		13	427-0376	Gasket, Declutch Cover	1		
4	233-0444	Bearing Cup	2		14	792-0866	Plate, Declutch Cover	1		
5	237-0427-002	Carrier	1		15	265-0343	Cap Screw, 1/4-20 x 1/2, Hex Head	4		
6	427-0375	Gasket, Carrier	1		16	744-0278	Shim, .030 Coral	A/R	2	
7	736-0939	Ring, Bearing Spacer, .360		1		744-0279	Shim, .015 Pink	A/R	2	
	736-0942	Ring, Bearing Spacer, .365		1		744-0282	Shim, .005 Blue	A/R	2	
	736-0943	Ring, Bearing Spacer, .370		1		744-0283	Shim, .002 Red	A/R	2	
	736-0944	Ring, Bearing Spacer, .375		1		17	724-0677	Cap Screw, 7/16-14 x 2 1/4, 12-pt. Head	6	
	736-0959	Ring, Bearing Spacer, .380		1		18	265-0238	Cap Screw, 7/16-14 x 1 1/4, Hex Head	8	
	736-0962	Ring, Bearing Spacer, .385		1						
8	432-0563	Gear, Clutch	1							
9	776-0234	Shaft	1							
10	762-0288	Snap Ring	1							

- 45 -

Footnotes:

1. Select one spacer ring. Refer to service manual.
2. Refer to service manual.

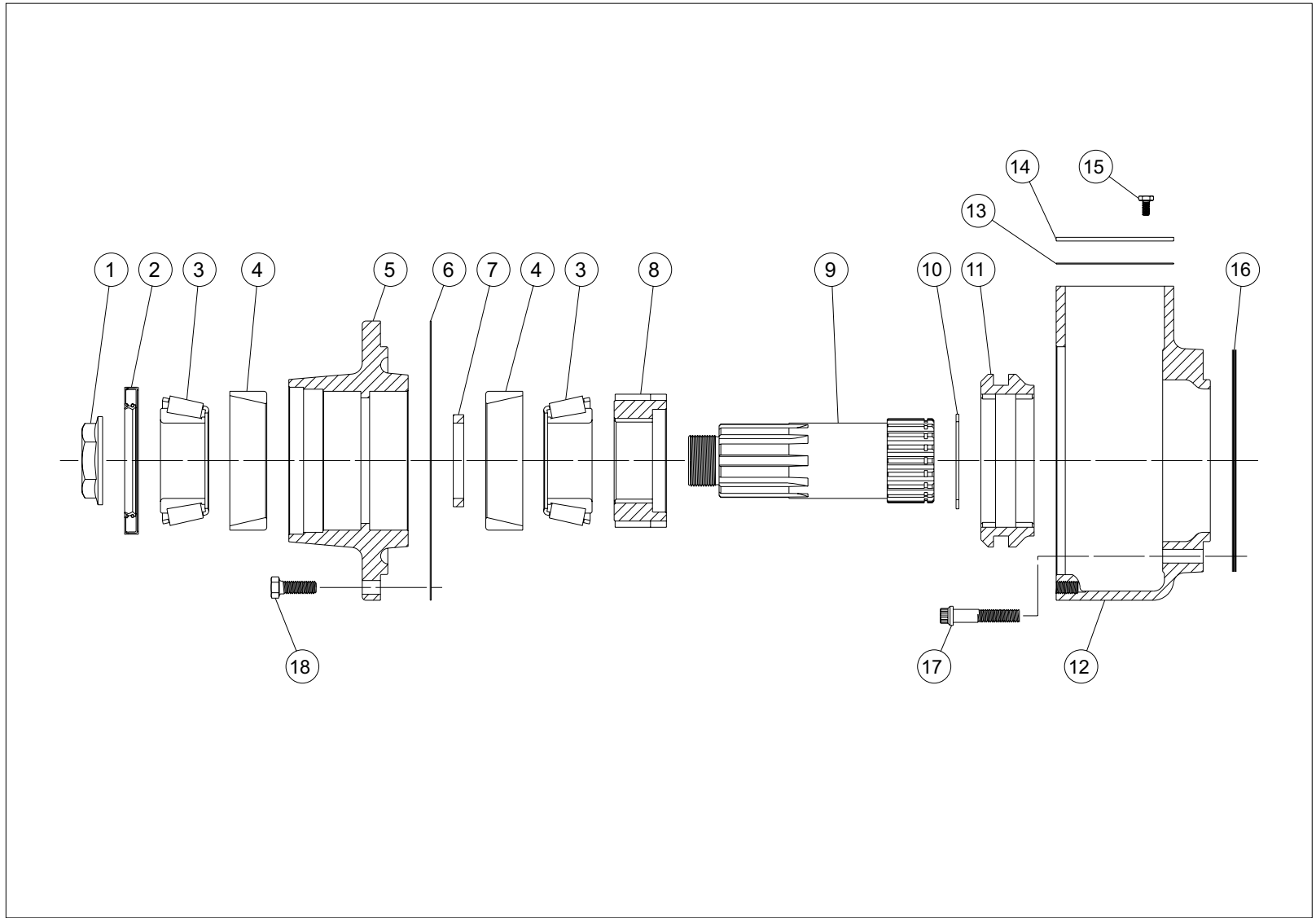


FIG P.10 - FRONT OUTPUT SHAFT ASSEMBLY
Basic Transfer Cases (without Proportional Differential)

TC-170 REAR OUTPUT SHAFT ASSEMBLY
Models without Neutral
See Fig. P.11.

<u>ITEM</u>	<u>PART NO.</u>	<u>DESCRIPTION</u>	<u>QTY.</u>
1	688-0738	Locknut, 1 3/4-12	2
2	432-0634	Gear Clutch	1
3	233-0375	Bearing Cup	1
4	233-0489	Bearing Cone	1
5	776-0233	Shaft	1
6	966-0326	Woodruff Key	1
7	432-0628	Gear	1
8	927-0797	Washer(3.75 OD x 2.51 ID x .25 Thick)	1
9	233-0493	Bearing Cone	1
10	233-0492	Bearing Cup	1
11	427-0523	Gasket	1
12	237-0542-002	Carrier	1
13	732-0355	Oil Seal	1
14	265-0238	Cap Screw, 7/16-14 x 1 1/4 Hex Head	10
15	927-0347	Washer, 7/16 Flat	10

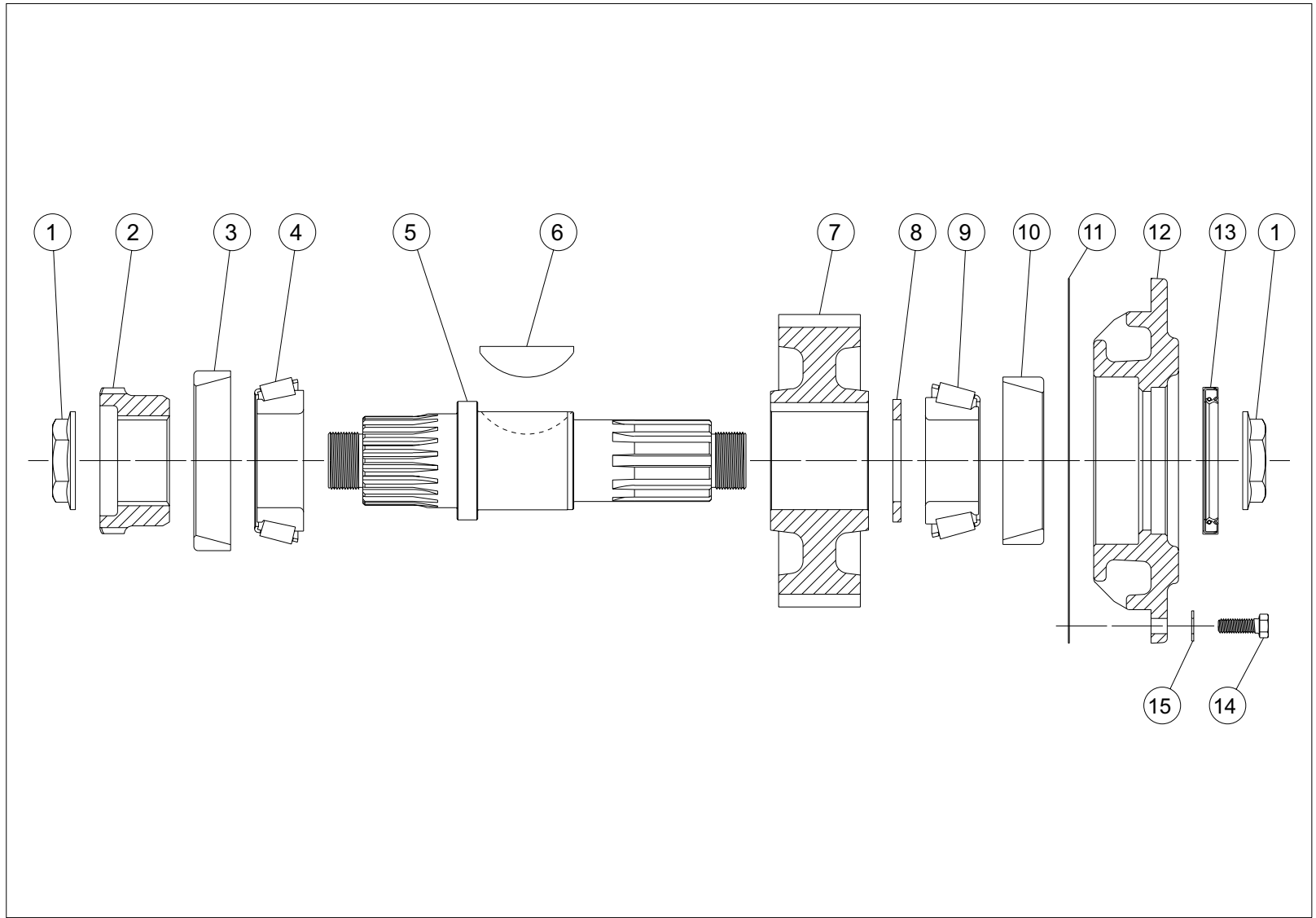


FIG P.11 - TC-170 REAR OUTPUT SHAFT ASSEMBLY
Models without Neutral

TC-170 REAR OUTPUT SHAFT ASSEMBLY
Models with Neutral
See Fig. P.12.

<u>ITEM</u>	<u>PART NO.</u>	<u>DESCRIPTION</u>	<u>QTY.</u>	<u>FOOT NOTE</u>	<u>ITEM</u>	<u>PART NO.</u>	<u>DESCRIPTION</u>	<u>QTY.</u>	<u>FOOT NOTE</u>
1	688-0738	Locknut, 1 3/4-12	2		19	367-0286	Shift Fork	1	
2	432-0634	Gear, Clutch	1		20	776-0236	Shaft, Shifter	1	
3	233-0375	Bearing Cup	1		21	675-0316	O-Ring, Shifter Shaft	1	
4	233-0489	Bearing Cone	1		22	782-0288	O-Ring, Piston to Shaft	1	
5	756-0228	Ring, Spacer	1		23	927-0822	Nylon Washer, Piston Stop	2	
6	927-0854	Washer, Thrust	2		24	339-0223	Felt Wiper	1	
7	432-1724	Gear, Sub-assembly	1		25	753-0232	Piston	1	
8	776-1235	Shaft, Sub-assembly	1		26	675-0326	O-Ring, Piston	1	
9	432-0633	Gear, Clutch Collar	1		27	927-0643	Washer, Shifter Shaft	1	
10	756-0229	Ring, Inner	1				(.69 OD x .38 ID x .12 Thick)		
11	233-0474	Bearing Cone	1		28	688-0464	Locknut, 3/8-24	1	
12	233-0475	Bearing Cup	1		29	673-0229	O-Ring, Cap	1	
13	756-0232	Ring, Outer	1		30	235-0634	Cap, Shift Cylinder	1	
14	427-0523	Gasket	1		31	265-0386	Cap Screw, 1/4-20 x 3/4	4	
15	237-0544-001	Carrier	1				Hex Head		
16	732-0355	Oil Seal	1		32	265-0238	Cap Screw, 7/16-14 x 1 1/4	10	
17	688-0342	Locknut, 1/2-20	1				Hex Head		
18	927-0722	Washer, 1/2 Flat	1		33	927-0347	Washer, 7/16 Flat	10	

- 49 -

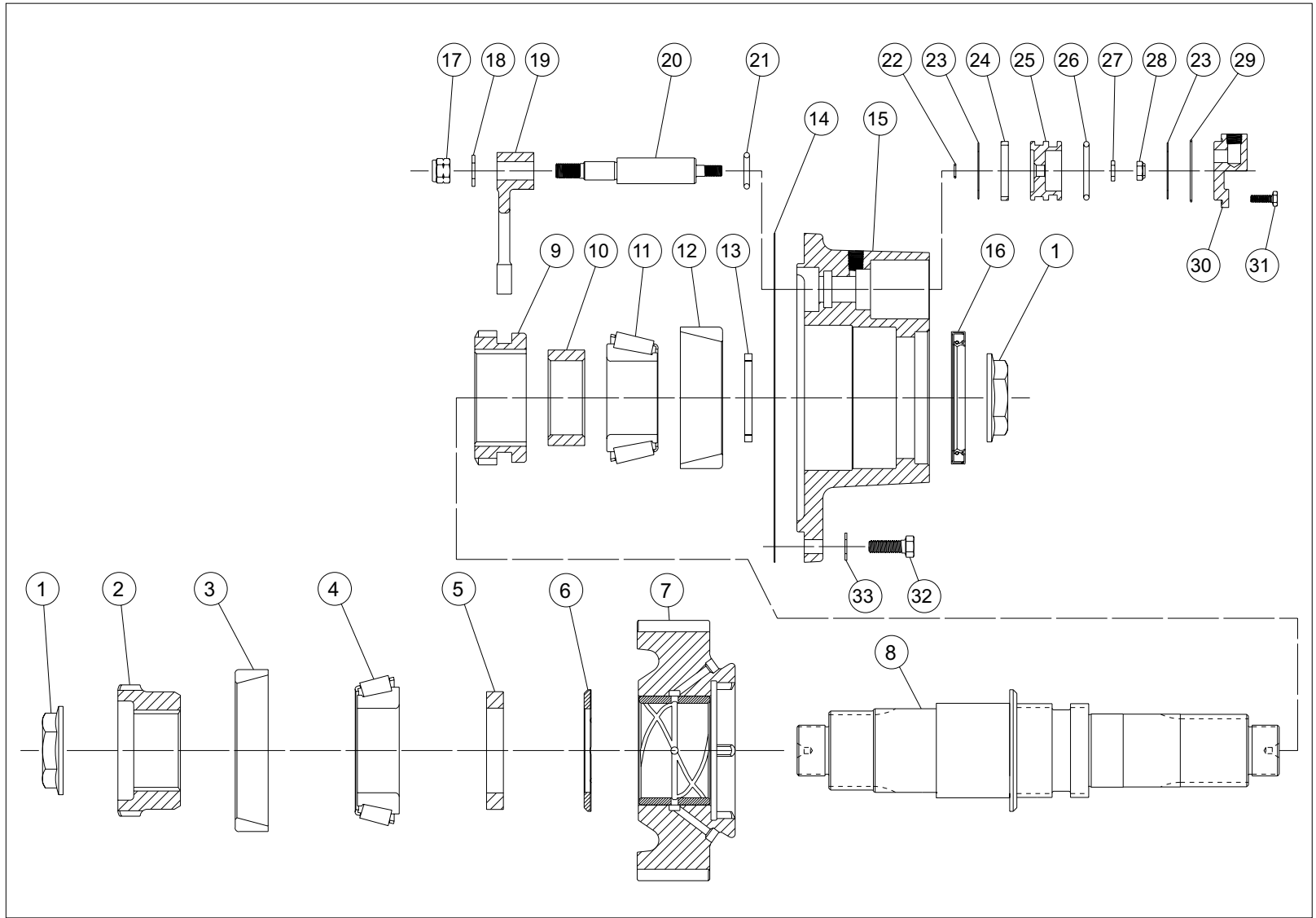


FIG P.12 - TC-170 REAR OUTPUT SHAFT ASSEMBLY
Models with Neutral

TC-170 PD 33/67 LOWER SHAFT ASSEMBLY

See Fig. P.13.

ITEM	PART NO.	DESCRIPTION	QTY.	FOOT NOTE	ITEM	PART NO.	DESCRIPTION	QTY.	FOOT NOTE
1	688-0727	Locknut, 1 1/4-12	1		27	432-0637	Gear, Planet, 10T	4	
2	927-0775-002	Washer, (2.25 OD x 1.28 ID x .19 Thick)	1		28	432-0638	Gear, Sun, 20T, (Front Output Shaft)	1	
3	732-0358	Oil Seal	1		29		Cover Plate, Planet Gear		3
4	237-0553	Carrier, Oil Seal	1		30	432-0639	Internal Gear, 40T	1	
5	427-0522	Gasket, Oil Seal Carrier	1		31	927-0823	Thrust Washer, Internal Gear	1	
6	232-0376	Ball Bearing Assembly, (Includes Snap Ring)	1		32	478-0224	Housing, Differential Case, Rear	1	
7	237-0549	Carrier, Front Bearing	1		33	233-0498	Bearing Cone	1	
8	427-0375	Gasket, Bearing Carrier	1		34	283-0227	Bolt, Differential Case Halves	12	
9	432-0532	Gear, Clutch	1		35		Shoulder Screw, 3/8-16		3
10	736-0833	Retaining Ring	1		36	724-1696	Cap Screw, 3/8-16 X 1", 12-pt. Head	6	
11	432-0426	Gear, Clutch Collar	1		37	427-0523	Gasket, Housing	2	
12	478-0232	Housing, Differential Lockout	1		38	468-0998	Housing, Outer Differential	1	
13	265-0343	Cap Screw, 1/4--20 x 1/2, Hex Head	4		39	776-0238	Shaft, Rear Output	1	
14	792-0866	Plate, Lockout Cover	1		40	233-0499	Bearing Cup and Cone Assy.	2	
15	427-0376	Gasket, Lockout Cover	1		41	756-0234-005	Ring, Bearing Spacer, .413		2
16	744-0278	Shim, .030 Coral	A/R	1		756-0234-006	Ring, Bearing Spacer, .418		2
	744-0279	Shim, .015 Pink	A/R	1		756-0234-007	Ring, Bearing Spacer, .423		2
	744-0282	Shim, .005 Blue	A/R	1		756-0234-008	Ring, Bearing Spacer, .428		2
	744-0283	Shim, .002 Red	A/R	1		756-0234-009	Ring, Bearing Spacer, .433		2
17	688-0645	Locknut, 2.548-18	1		42	237-0547-002	Carrier, Rear	1	
18	432-0738	Gear, Clutch	1		43	732-0333	Oil Seal, Rear Output	1	
19	233-0375	Bearing Cup	2		44	688-0738	Locknut, 1 3/4-12	1	
20	233-0497	Bearing Cone	1		45	265-0238	Cap Screw, 7/16-14 x 1 1/4, Hex Head	24	
21	688-0292	Locknut, 5/8-18	8		46	927-0347	Washer, 7/16 Flat	24	
22	432-0635	Gear, 50T, Lower	1		47	724-0357	Cap Screw, 7/16-14 x 1 1/4, 12-pt. Head	10	
23	788-1553-005	Stud, 5/8-11 x 5/8-18 x 3"	6		48	724-0677	Cap Screw, 7/16-14 x 2 1/4, 12-pt. Head	6	
23A	788-1553-009	Stud with Loctite	2						
24	478-0227	Housing, Differential Case, Front	1						
25	746-0736	Dowel Pin, 1/2 Dia. x 1 1/4 Long	2						
26	237-1557	Carrier, Planet Gears	1						

Footnotes:

1. See service manual.

2. Select one spacer ring. Refer to service manual.

3. Part of 2371557 Sub-Assembly.

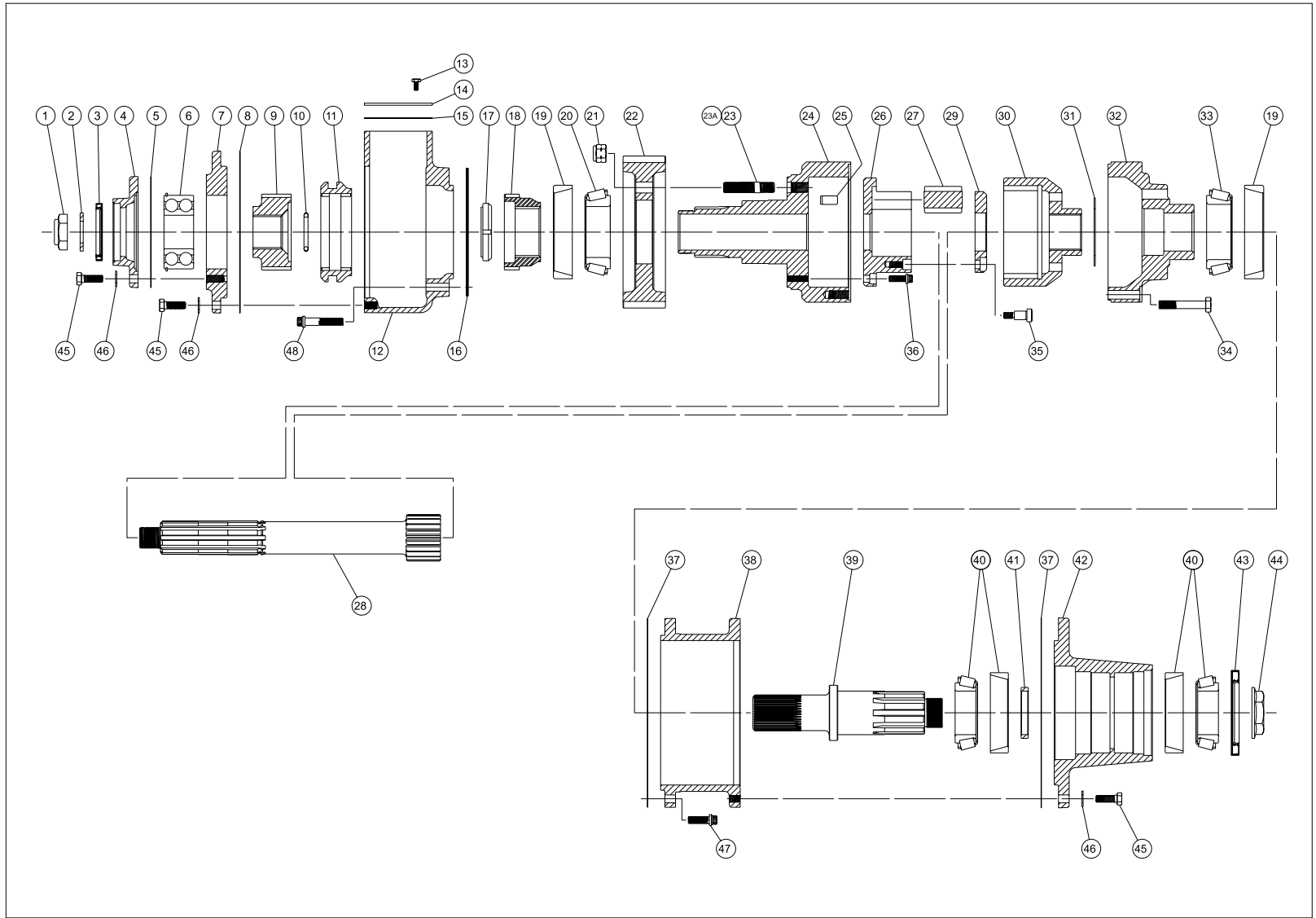


FIG P.13 - TC-170 PD 33/67 LOWER SHAFT ASSEMBLY

TC-170 PD 50/50 LOWER SHAFT ASSEMBLY

See Fig. P.14.

<u>ITEM</u>	<u>PART NO.</u>	<u>DESCRIPTION</u>	<u>QTY.</u>	<u>FOOT NOTE</u>	<u>ITEM</u>	<u>PART NO.</u>	<u>DESCRIPTION</u>	<u>QTY.</u>	<u>FOOT NOTE</u>
1	688-0727	Locknut, 1 1/4-12	1		25	776-0239	Shaft, Front Output	1	
2	927-0775-002	Washer, (2.25 OD x 1.28 ID x .19 Thick)	1		26	927-0796	Thrust Washer, Side Gear	2	
3	732-0358	Oil Seal	1		27	432-0643	Gear, Differential Side	2	
4	237-0553	Carrier, Oil Seal	1		28	432-0642	Gear, Differential Pinion	4	
5	427-0522	Gasket, Oil Seal Carrier	1		29	927-0795	Thrust Washer, Pinion	4	
6	232-0376	Ball Bearing Assembly, (Includes Snap Ring)	1		30	277-0272	Differential Spider Cross	1	
7	237-0549	Carrier, Front Bearing	1		31	478-0223	Housing, Differential Case, Rear	1	
8	427-0375	Gasket, Bearing Carrier	1		32	233-0498	Bearing Cone	1	
9	432-0532	Gear, Clutch	1		33	283-0226	Bolt, Differential Case Halves	12	
10	736-0987	Retaining Ring	1		34	427-0523	Gasket, Housing	2	
11	432-0426	Gear, Clutch Collar	1		35	468-0998	Housing, Outer Differential	1	
12	478-0232	Housing, Differential Lockout	1		36	776-0238	Shaft, Rear Output	1	
13	265-0343	Cap Screw, 1/4-20 x 1/2, Hex Head	4		37	233-0499	Bearing Cup and Cone Assembly	2	
14	792-0866	Plate, Lockout Cover	1		38	756-0234-005	Ring, Bearing Spacer, .413		2
15	427-0376	Gasket, Lockout Cover	1			756-0234-006	Ring, Bearing Spacer, .418		2
16	744-0278	Shim, .030 Coral	A/R	1		756-0234-007	Ring, Bearing Spacer, .423		2
	744-0279	Shim, .015 Pink	A/R	1		756-0234-008	Ring, Bearing Spacer, .428		2
	744-0282	Shim, .005 Blue	A/R	1	39	237-0547-002	Carrier, Rear	1	
	744-0283	Shim, .002 Red	A/R	1	40	732-0333	Oil Seal, Rear Output	1	
17	688-0645	Locknut, 2.548-18	1		41	688-0738	Locknut, 1 3/4-12	1	
18	432-0738	Gear, Clutch	1		42	265-0238	Cap Screw, 7/16-14 x 1 1/4, Hex Head	24	
19	233-0375	Bearing Cup	2						
20	233-0497	Bearing Cone	1		43	927-0347	Washer, 7/16 Flat	24	
21	688-0292	Locknut, 5/8-18	8		44	724-0357	Cap Screw, 7/16-14 x 1 1/4, 12-pt. Head	10	
22	432-0635	Gear, 50T, Lower	1						
23	788-1553-005	Stud, 5/8-11 x 5/8-18 x 3"	8		45	724-0677	Cap Screw, 7/16-14 x 2 1/4, 12-pt. Head	6	
24	478-0226	Housing, Differential Case, Front	1						

Footnotes:

1. See service manual.
2. Select one spacer ring. Refer to service manual.

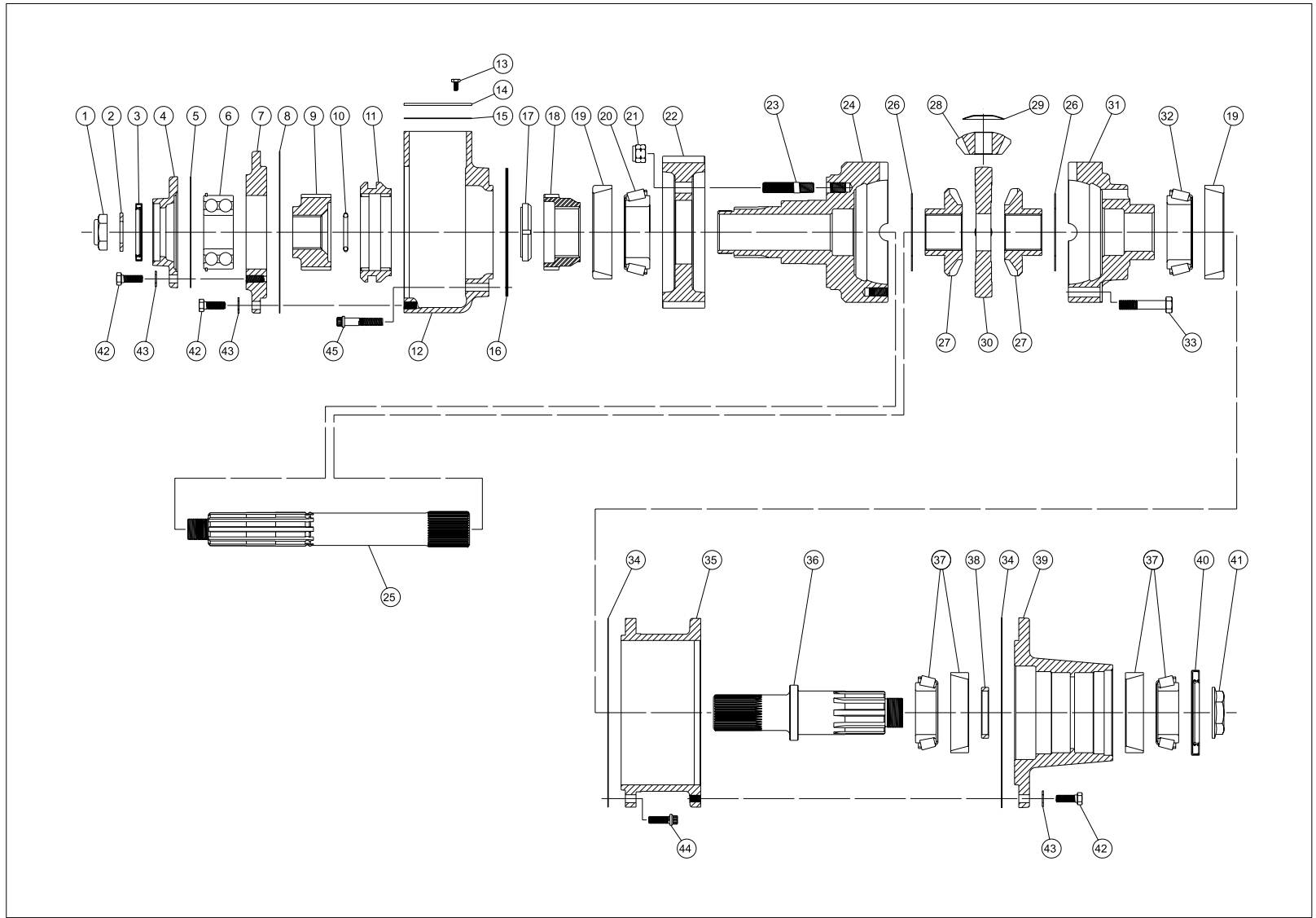


FIG P.14 - TC-170 PD 50/50 LOWER SHAFT ASSEMBLY

TC-170/TC-170 PD SINGLE-ACTING AIR SHIFT CYLINDER ASSEMBLY
All Models
See Fig. P.15.

<u>ITEM</u>	<u>PART NO.</u>	<u>DESCRIPTION</u>	<u>QTY.</u>
1	265-0769	Cap Screw, 1/4-20 x 3 3/4 Hex Head	4
2	235-0352	Cap, Shift Cylinder	1
3	675-0224	O-Ring, Shift Cylinder	3
4	883-0887-001	Tube, Shift Cylinder	1
5	688-0464	Locknut, 3/8--24	1
6	927-0643	Washer, Shifter Shaft (.69 OD x .38 ID x .12 Thick)	1
7	675-0326	O-Ring, Piston	1
8	753-0232	Piston	1
9	339-0223	Felt Wiper	1
10	782-0288	O-Ring, Piston to Shaft	1
11	777-0477	Spring	1
12	736-0747	Nylon Stop Ring	1
13	883-0482	Tube, Shift Cylinder Adapter	1
14	947-0223	Lock Wire	1
15	265-0768	Bolt, 7/16-20 x 1 1/2 Drilled Head	2
16	367-0254	Shift Fork	1
17	742-0799	Shaft, Shifter	1
18	798-0245	Switch, Indicator Light	1
19	927-0427	Washer, Copper	1
20	746-0628	Pin, Switch Actuating	1
21	758-0328	Welch Plug, 1"	1

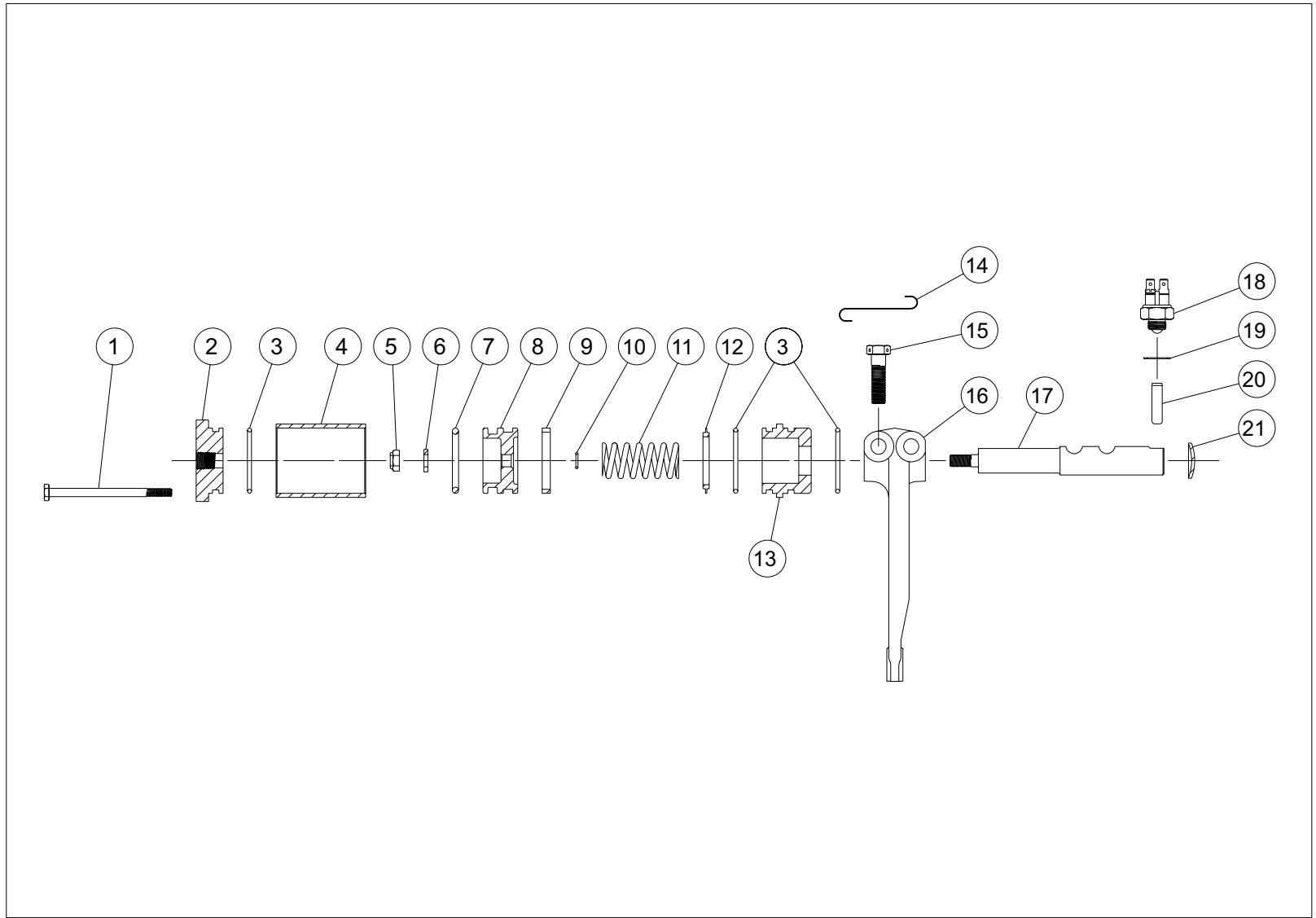


FIG P.15 - SINGLE-ACTING AIR SHIFT CYLINDER ASSEMBLY
All Models

TC-170/TC-170 PARTS NOT ILLUSTRATED

<u>ITEM</u>	<u>PART NO.</u>	<u>DESCRIPTION</u>	<u>QTY.</u>	<u>FOOT NOTE</u>
1	468-0996	Housing, Transfer Case	1	
2	626-0228	Name Plate, Serial Number	1	
3	724-0276	Drive Screw, Name Plate	2	
4	758-0229	Plug, 3/4 NPT Socket Head		1
5	758-0232	Plug, 1/4 NPT Socket Head		1
6	758-0352	Plug, 3/4 NPT Square Head (Oil Fill)	1	
7	758-0274	Plug, 3/4 NPT Socket Head, Magnetic	1	

- 57 -

The parts related to the lubrication piping are not covered in this manual due to the many different configurations. When replacing, use the old part for identification. Note however, that all fittings and hose assemblies are available from Fabco.

Footnotes:

1. Quantity varies depending on model.