

MVG 1600SD Series Parts Manual

Pro Gear's Harmon-Herrington MVG 1600SD Series parts manual to assist in identifying the parts for your Harmon-Herrington transfer case unit.

If you need any assistance identifying the correct transfer case unit for your truck and equipment, contact your Harmon-Herrington replacement part specialists at Pro Gear and Transmission.

Pro Gear Transmission has same day shipping and 1000's of products in stock and ready to ship internationally for your next project.

For parts or service contact the Harmon-Herrington specialists at Pro Gear & Transmission, Inc.

1 (877) 776-4600
(407) 872-1901
parts@eprogear.com



PARTS MANUAL
FOR
MVG 1600SD SERIES

MARMON-HERRINGTON ALL-WHEEL DRIVE

13001 Magisterial Drive • Louisville, KY 40223
(502) 253-0277 • (800) 227-0727 • Fax (502) 253-0317
E-mail: info@marmon-herrington.com

PM03/01

TABLE OF CONTENTS

REPLACEMENT PARTS & WARRANTY CLAIM PROCEDURE	3
HOUSING MVG 1600SD	4-5
INPUT SHAFT, COVER MVG 1600SD	6-7
OIL PUMP MVG 1600SD	8-9
DOUBLE GEAR, BEARING COVER MVG 1600SD	10-11
OUTPUT SHAFT, BEARING COVER MVG 1600SD	12-13
FLANGES MVG 1600SD	14-15
GEAR SHIFT MVG 1600SD	16-17



MARMON-HERRINGTON ALL-WHEEL DRIVE
13001 Magisterial Drive • Louisville, KY 40223
(502) 253-0277 • (800) 227-0727 • Fax (502) 253-0317
E-mail: info@marmon-herrington.com

PM03/01

REPLACEMENT PARTS

When ordering replacement parts for **MARMON-HERRINGTON ALL-WHEEL DRIVE** conversions, the following information should be given:

1. **FACTORY ORDER NUMBER** (found on I.D. Plate on driver's door panel or small plate affixed to axle housing). This will be a six (6) digit number. (See illustrations this page.)
2. Component for which parts are required, i.e. front drive axle or transfer case.
3. Model of axle and/or transfer, i.e. MR-90, MR-226.
4. Give quantity and part number required.
NOTE: Drive lines, shift linkage, etc., can be found on the computer print out of Bill of Material, which is included in the Service Manual.
5. Give complete billing and shipping address.

The information necessary for replacement parts and/or warranty claim procedures will be found on either plate design.


MARMON-HERRINGTON			
SALES ORDER	0000-00	TYPE	<input style="width: 90%;" type="text"/>
S/N	<input style="width: 90%;" type="text"/>	RATIO	<input style="width: 90%;" type="text"/>

WARRANTY CLAIM PROCEDURE

When ordering parts which you feel might be covered under warranty, advise the following information:

1. **FACTORY ORDER NUMBER** (found on I.D. Plate on driver's door panel or small plate affixed to axle housing). This will be a six (6) digit number. (See illustrations this page.)
2. Date unit was put into operation.
3. Mileage of unit at time of failure.
4. Nature of failure.

Upon receipt of the above, you will be advised as to how to proceed with the claim.



LOUISVILLE, KENTUCKY U.S.A.

FACTORY ORDER NO.

INSTALLED BY

FRONT DRIVING AXLE

MODEL

CAPACITY

SERIAL NO.

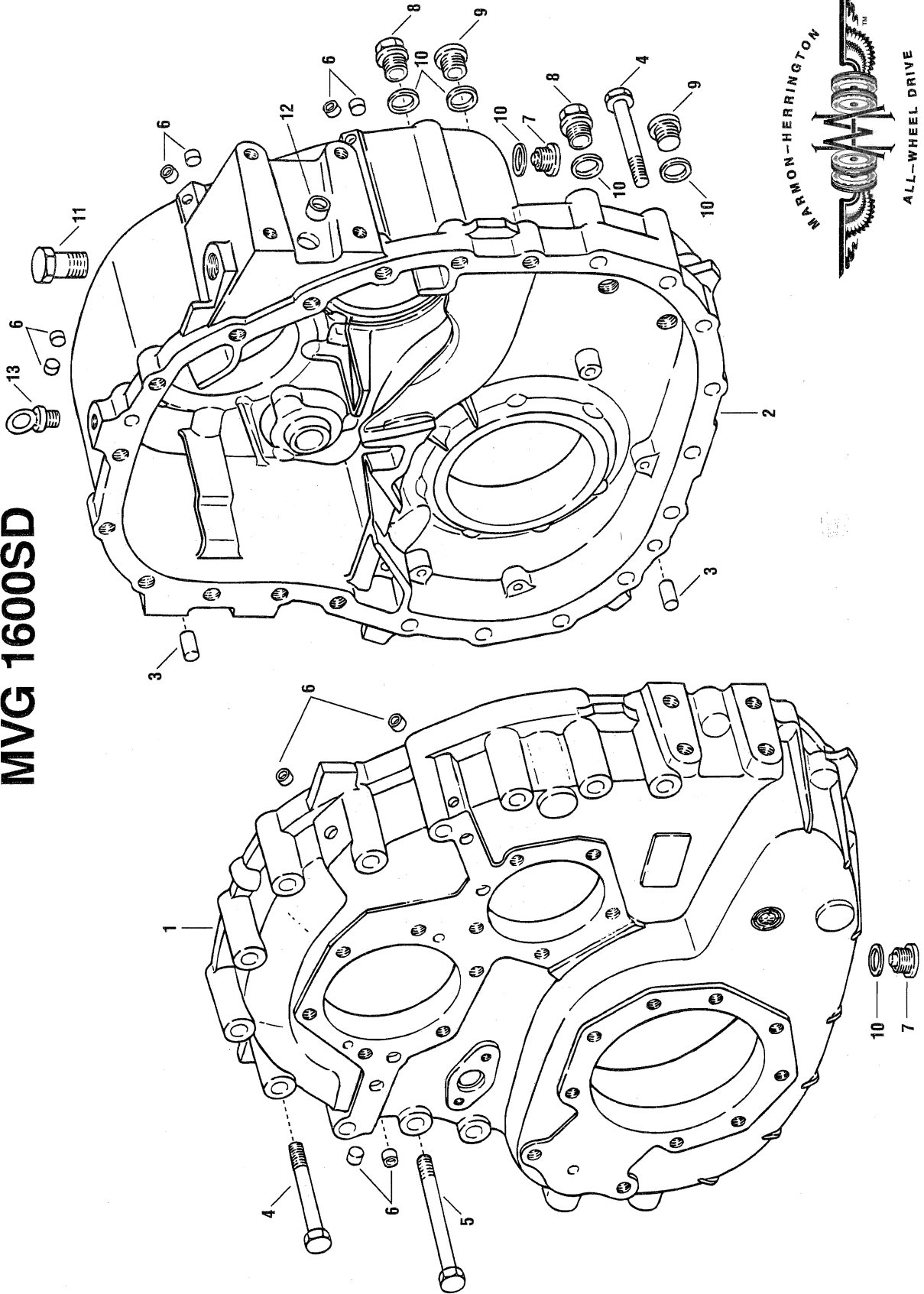
RATIO

TRANSFER CASE

MODEL

SERIAL NO.

HOUSING MVG 1600SD



PM03/01

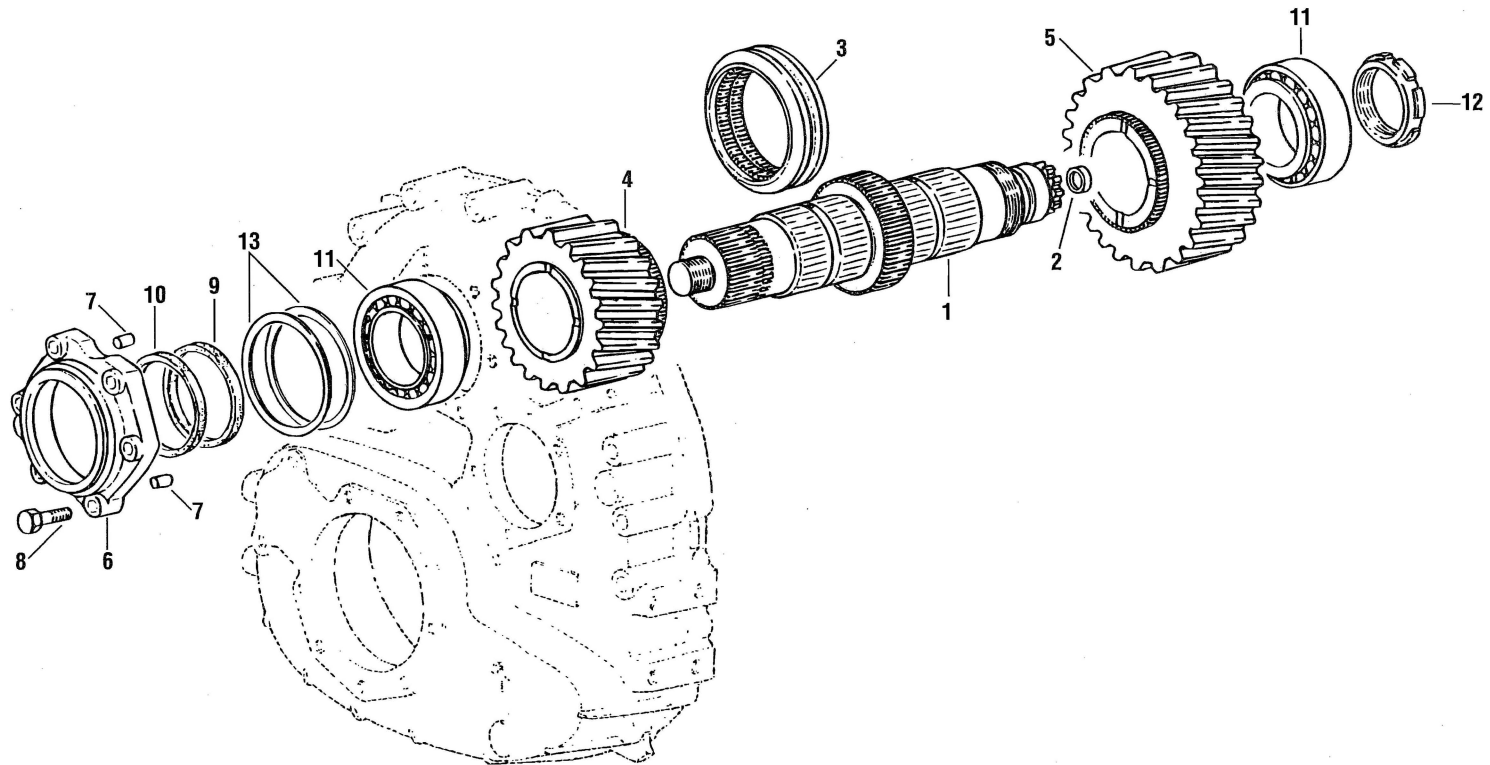
ITEM NO.	MH PART NO.	DESCRIPTION	QTY. REQ.	ITEM NO.	MH PART NO.	DESCRIPTION	QTY. REQ.
1	MVG16-1001	Housing Front	1				
2	MVG16-1002	Housing Rear	1				
3	MVG20-1016	Dowel Pin	2				
4	11501712	Hex Bolt, M14x100	14				
5	11501715	Hex Bolt, M14x130	8				
6	MVG16-1003	Core Plug	10				
7	MVG75-1005	Drain Plug	2				
8	MVG12-1009	Fill Plug	2				
9	MVG16-1004	Drain Plug	2				
10	MVG12-1010	Gasket	7				
11	MVG12-1020	Breather	1				
12	MVG16-1005	Core Plug	1				
13	MVG16-1006	Eye Bolt	1				

MARMON-HERRINGTON ALL-WHEEL DRIVE
 13001 Magisterial Drive • Louisville, KY 40223
 (502) 253-0277 • (800) 227-0727 • Fax (502) 253-0317
 E-mail: info@marmon-herrington.com

**HOUSING
 MVG 1600SD**



INPUT SHAFT, COVER MVG 1600SD



PM03/01

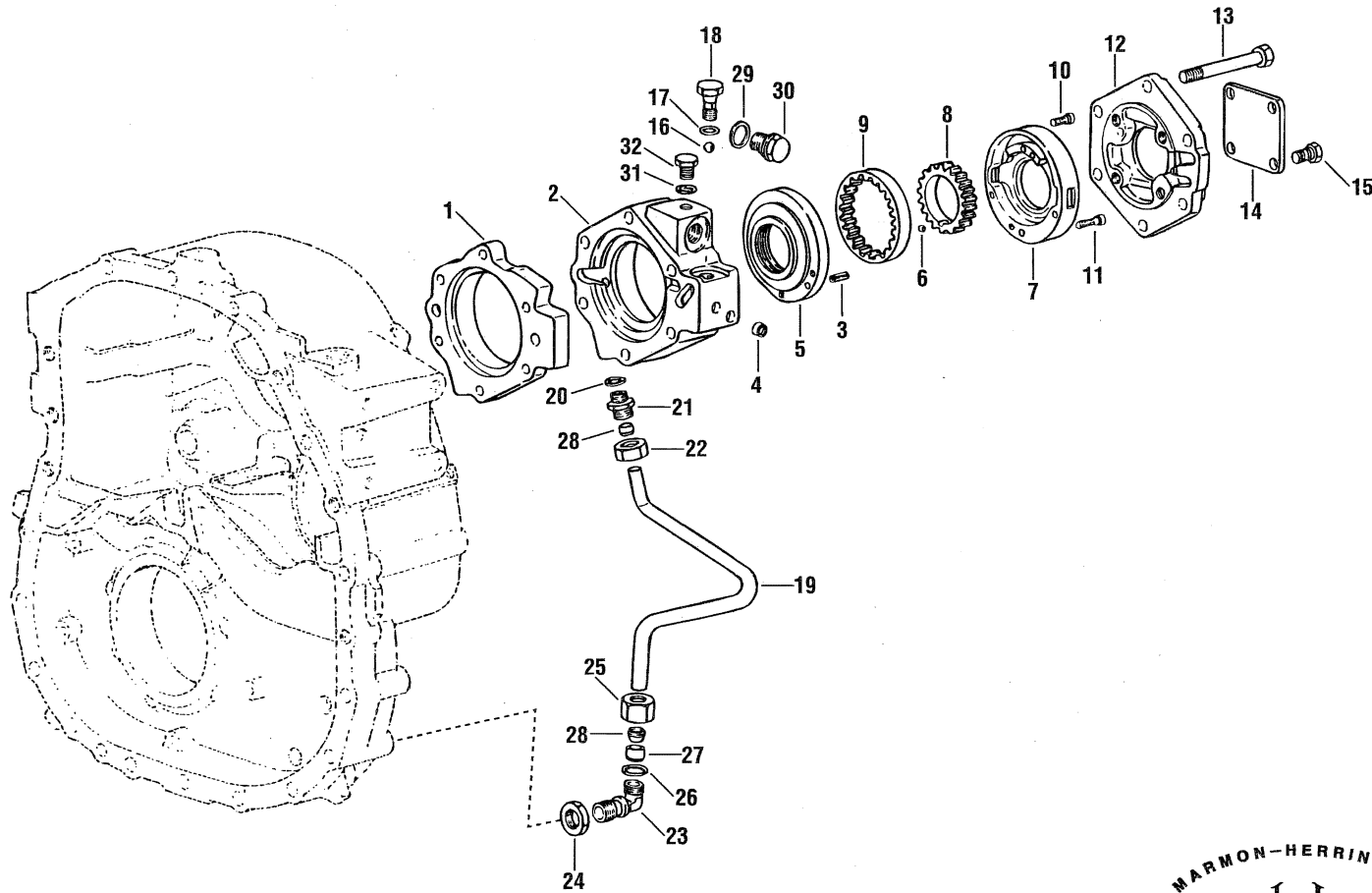
ITEM NO.	MH PART NO.	DESCRIPTION	QTY. REQ.	ITEM NO.	MH PART NO.	DESCRIPTION	QTY. REQ.
1	MVG16-1007	Input Shaft	1				
2	MVG75-1047	Baffle Washer	1				
3	MVG20-1034	Shifting Sleeve <i>MVG201110</i>	1				
4	MVG16-1008	Drive Gear, Low	1				
5	MVG16-1009	Drive Gear, High	1				
6	MVG16-1010	Bearing Cover	1				
7	MVG16-1011	Dowel Pin	2				
8	11500733	Hex Head Bolt, M12x45	6				
9	MVG16-1012	Oil Seal, Inner	1				
10	MVG16-1013	Oil Seal, Outer	1				
11	MVG20-1039	Bearing	2				
12	MVG20-1119	End Nut	1				
13	MVG16-1014A	Shim 1.25mm	AR				
	MVG16-1014B	Shim 1.30mm	AR				
	MVG16-1014C	Shim 1.40mm	AR				
	MVG16-1014D	Shim 1.50mm	AR				
	MVG16-1014E	Shim 1.60mm	AR				
	MVG16-1014F	Shim 1.70mm	AR				
	MVG16-1014G	Shim 1.80mm	AR				
	MVG16-1014H	Shim 1.85mm	AR				

MARMON-HERRINGTON ALL-WHEEL DRIVE
 13001 Magisterial Drive • Louisville, KY 40223
 (502) 253-0277 • (800) 227-0727 • Fax (502) 253-0317
 E-mail: info@marmon-herrington.com

INPUT SHAFT, COVER
MVG 1600SD



OIL PUMP MVG 1600SD



PM03/01

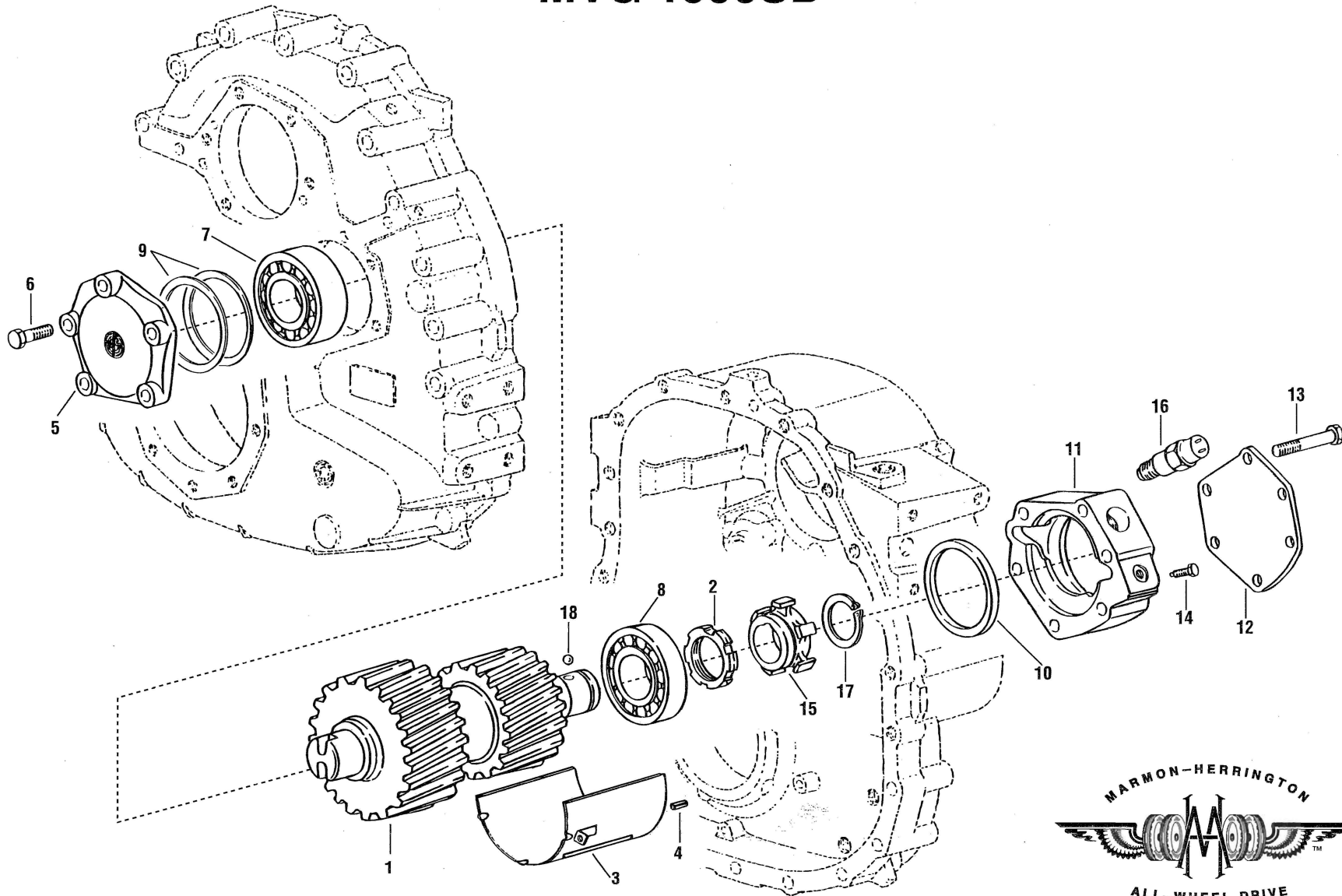
ITEM NO.	MH PART NO.	DESCRIPTION	QTY. REQ.	ITEM NO.	MH PART NO.	DESCRIPTION	QTY. REQ.
1	MVG16-1015	Intermediate Plate	1				
2	MVG16-1016	Bearing Housing	1				
3	MVG75-1033	Pin	1				
4	MVG16-1017	Core Plug	2				
5	MVG75-1034	Oil Pump Cover	1				
6	MVG12-1069	Ball 6.0mm	1				
7	MVG75-1035	Oil Pump Housing	1				
8	MVG12-1068	Oil Pump Gear	1				
9	MVG12-1067	Oil Pump Rim Gear	1				
10	11503857	Screw, M6x30	2				
11	11503858	Screw, M6x35	2				
12	MVG16-1018	Cover	1				
13	11500998	Hex Head Bolt, M12x110	6				
14	MVG12-1015	Cover Plate	1				
15	11500888	Hex Head Bolt, M12x16	4				
16	MVG12-1137	Ball 11.0m	1				
17	MVG75-1128	Sealing Ring	1				
18	MVG75-1030	Hollow Screw	1				
19	MVG16-1019	Oil Pipe	1				
20	MVG16-1020	Sealing Ring	1				
21	MVG16-1021	Elbow	1				
22	MVG16-1022	Union Nut	1				
23	MVG75-1039	Elbow	1				
24	MVG75-1040	Hexagon Nut, M22x1.5	1				
25	MVG75-1041	Union Nut	1				
26	MVG75-1042	Sealing Ring	1				
27	MVG75-1043	Pressure Ring	1				
28	MVG75-1044	Cutting Ring	2				
29	MVG12-1010	Gasket	1				
30	MVG12-1009	Plug	1				
31	MVG16-1023	Sealing Ring	1				
32	MVG16-1024	Screw Plug	1				

MARMON-HERRINGTON ALL-WHEEL DRIVE
 13001 Magisterial Drive • Louisville, KY 40223
 (502) 253-0277 • (800) 227-0727 • Fax (502) 253-0317
 E-mail: info@marmon-herrington.com

**OIL PUMP
 MVG 1600SD**



DOUBLE GEAR, BEARING COVER MVG 1600SD



PM03/01

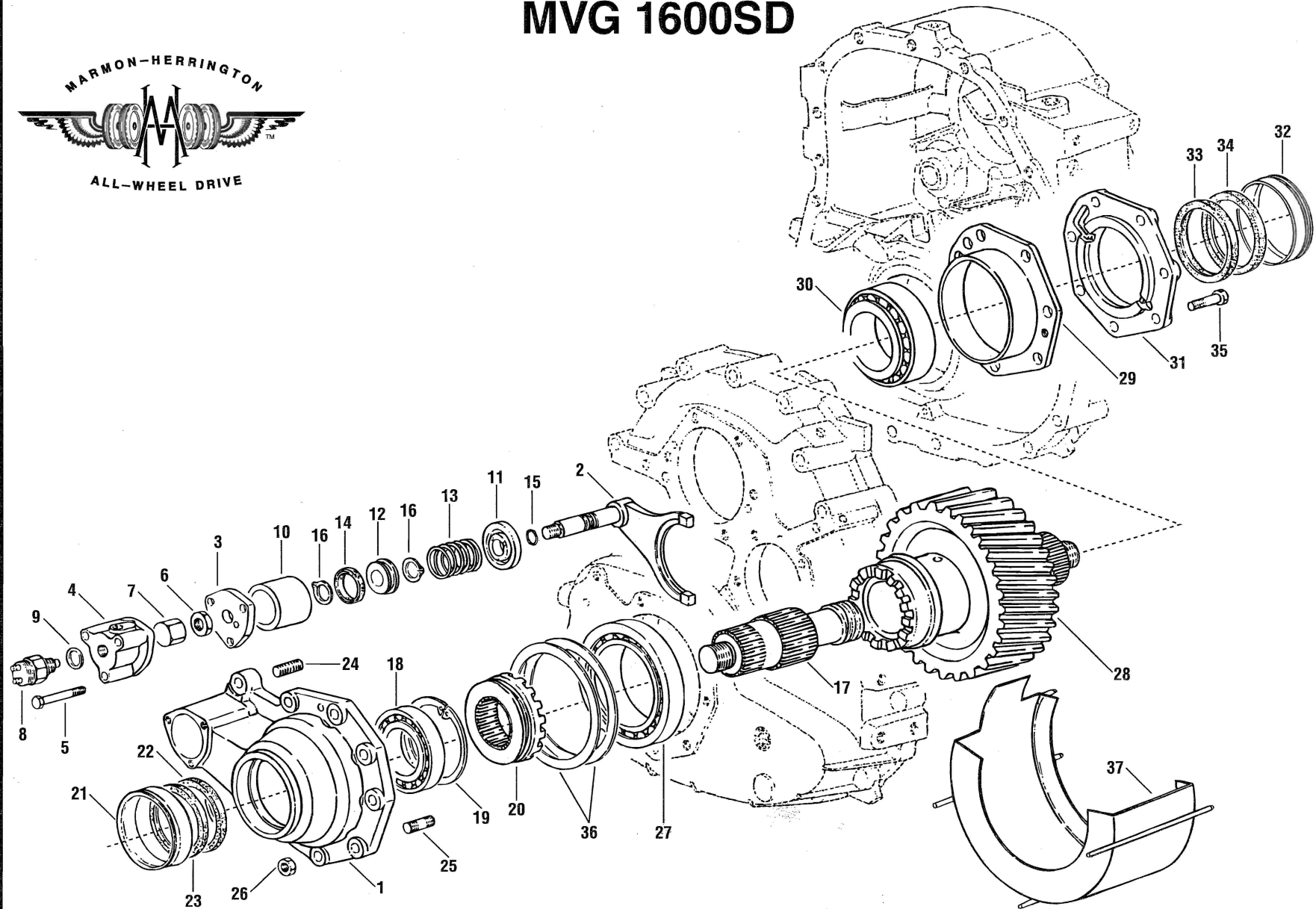
ITEM NO.	MH PART NO.	DESCRIPTION	QTY. REQ.	ITEM NO.	MH PART NO.	DESCRIPTION	QTY. REQ.
1	MVG16-1025	Double Gear	1				
2	MVG16-1026	Plain Nut, M60x1.5	1				
3	MVG16-1027	Cover Plate Splash Guard Upper	1				
4	MVG20-1021	Pin	1				
5	MVG20-1004	Cover, Idler Shaft	1				
6	MVG20-1005	Hex Head Bolt, M12x40	5				
7	MVG16-1028	Roller Bearing	1				
8	MVG16-1029	Roller Bearing	1				
9	MVG20-1046A	Shim 0.60mm	AR				
	MVG20-1046B	Shim 0.80mm	AR				
	MVG20-1046C	Shim 1.00mm	AR				
10	MVG16-1030	Centering Ring	1				
11	MVG16-1031	Speedometer Housing	1				
12	MVG20-1026	Cover	1				
13	MVG20-1027	Hex Head Bolt, M12x75	6				
14	MVG16-1032	Hex Head Screw	1				
15	MVG16-1033	Impulse Wheel	1				
16	MVG16-1034	Sensor Speedo	1				
17	MVG16-1035	Snap Ring	1				
18	MVG12-1069	Ball 6.0mm	1				

MARMON-HERRINGTON ALL-WHEEL DRIVE
 13001 Magisterial Drive • Louisville, KY 40223
 (502) 253-0277 • (800) 227-0727 • Fax (502) 253-0317
 E-mail: info@marmon-herrington.com

DOUBLE GEAR, BEARING COVER
MVG 1600SD



OUTPUT SHAFT, BEARING COVER MVG 1600SD



PM03/01

ITEM NO.	MH PART NO.	DESCRIPTION	QTY. REQ.	ITEM NO.	MH PART NO.	DESCRIPTION	QTY. REQ.
1	MVG20-1006	Cover, Front Output	1	33	MVG20-1037	Oil Seal	1
2	MVG20-1093	Shift Fork	1	34	MVG20-1038	Oil Seal	1
3	MVG20-1009	Cover, Air Cylinder	1	35	MVG20-1032	Hex Head Bolt, M12x45	7
4	MVG20-1010	Cover, Outer	1	36	MVG20-1053A	Shim 1.25mm	AR
5	MVG20-1011	Hex Head Bolt, M8x75	3		MVG20-1053B	Shim 1.30mm	AR
6	MVG20-1095	Nut, M16x1.5	1		MVG20-1053C	Shim 1.40mm	AR
7	MVG20-1096	Nut	1		MVG20-1053D	Shim 1.50mm	AR
8	MVG75-1127	Pressure Switch	1		MVG20-1053E	Shim 1.60mm	AR
9	MVG12-1040	Gasket	1		MVG20-1053F	Shim 1.70mm	AR
10	MVG20-1034	Bush	1		MVG20-1053G	Shim 1.80mm	AR
11	MVG20-1094	Washer	1		MVG20-1053H	Shim 1.90mm	AR
12	MVG12-1037	Piston	1	37	MVG16-1045	Splash Guard Lower	1
13	MVG12-1033	Spring	1				
14	MVG12-1038	Sealing Cup	1				
15	MVG12-1036	O-Ring	1				
16	MVG12-1001	Snap Ring	2				
17	MVG20-1098	Output Shaft	1				
18	MVG20-1057	Bearing Output	1				
19	MVG20-1055	Snap Ring	1				
20	MVG16-1036	Shifting Sleeve	1				
21	MVG16-1037	Seal Retainer Assy. (Includes Items #22, #23)	1				
22	MVG16-1038	Oil Seal	1				
23	MVG16-1039	Oil Seal	1				
24	MVG16-1040	Stud Bolt, M12x45	3				
25	MVG20-1007	Stud Bolt, M12x35	7				
26	MVG20-1008	Nut, M12-1.75	10				
27	MVG20-1052	Roller Bearing	1				
28	MVG16-1041	Output Shaft	1				
29	MVG16-1042	Bearing Support	1				
30	MVG16-1043	Roller Bearing	1				
31	MVG16-1044	Bearing Cover	1				
32	MVG20-1040	Seal Retainer Assy. (Includes Items #33, #34)	1				

MARMON-HERRINGTON ALL-WHEEL DRIVE
 13001 Magisterial Drive • Louisville, KY 40223
 (502) 253-0277 • (800) 227-0727 • Fax (502) 253-0317
 E-mail: info@marmon-herrington.com

OUTPUT SHAFT, BEARING COVER MVG 1600SD



FLANGES MVG 1600SD



PM03/01

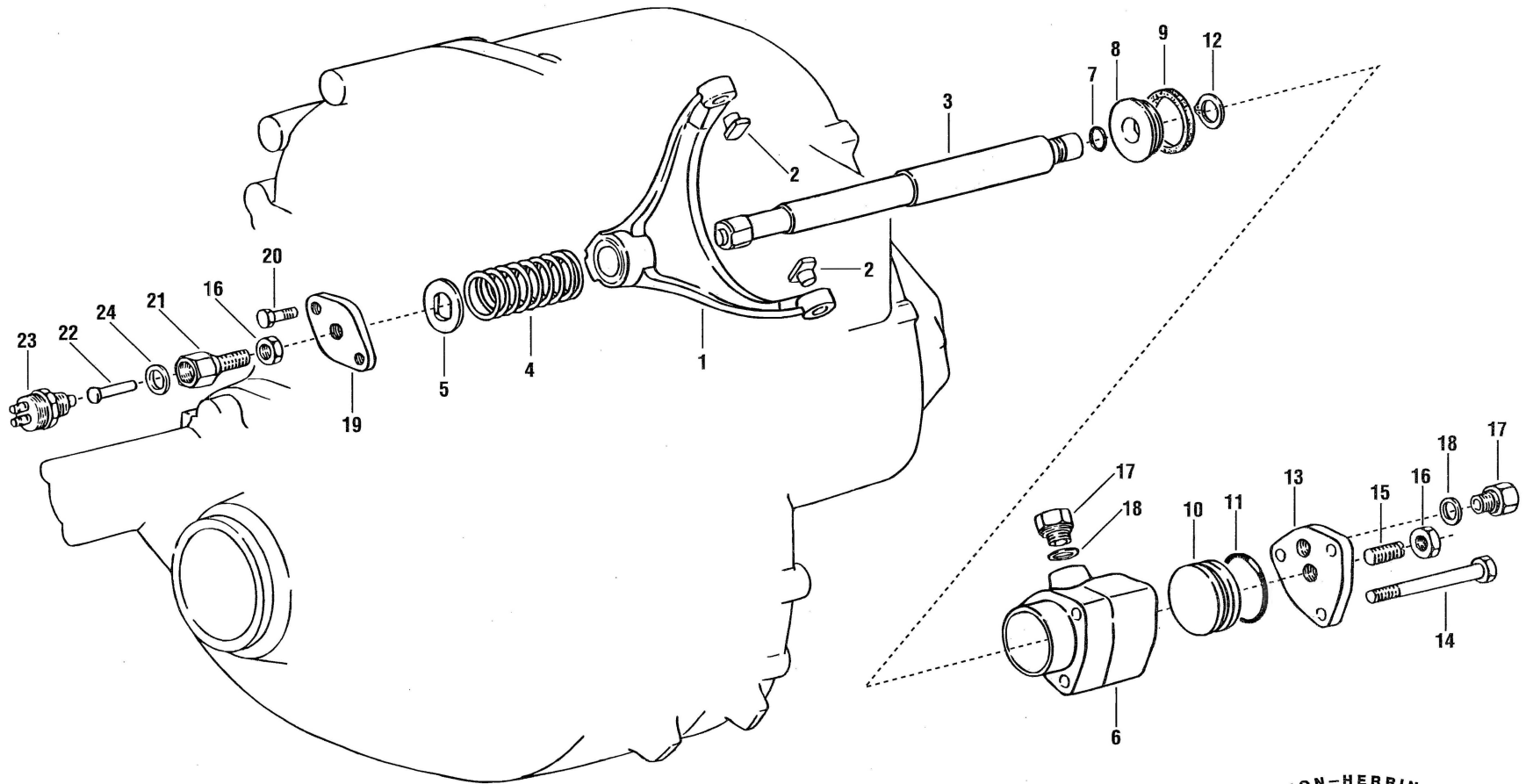
ITEM NO.	MH PART NO.	DESCRIPTION	QTY. REQ.	ITEM NO.	MH PART NO.	DESCRIPTION	QTY. REQ.
1	MVG16-1046	Comp. Flange Input/Output 1810	2				
2	MVG20-1043	Collar Nut	2				
3	MVG20-1061	Comp. Flange Output 1710	1				
4	MVG12-1058	Collar Nut	1				

MARMON-HERRINGTON ALL-WHEEL DRIVE
 13001 Magisterial Drive • Louisville, KY 40223
 (502) 253-0277 • (800) 227-0727 • Fax (502) 253-0317
 E-mail: info@marmon-herrington.com

FLANGES
MVG 1600SD



GEAR SHIFT MVG 1600SD



PM03/01

ITEM NO.	MH PART NO.	DESCRIPTION	QTY. REQ.	ITEM NO.	MH PART NO.	DESCRIPTION	QTY. REQ.
1	MVG16-1047	Shift Fork	1				
2	MVG12-1095	Slider	2				
3	MVG16-1048	Shift Rod	1				
4	MVG16-1049	Pressure Spring	1				
5	MVG16-1050	Washer	1				
6	MVG20-1086	Shifting Cylinder	1				
7	MVG12-1036	O-Ring	1				
8	MVG12-1037	Piston	1				
9	MVG16-1051	Sealing Cup	1				
10	MVG16-1052	Piston	1				
11	MVG16-1053	O-Ring	1				
12	MVG12-1001	Snap Ring	1				
13	MVG20-1087	Cover	1				
14	MVG20-1088	Hex Head Bolt, M12x100	3				
15	MVG12-1126	Stud	1				
16	11501073	Nut, M12x1.5	2				
17	MVG12-1121	Reducer	2				
18	MVG12-1122	Sealing Ring	2				
19	MVG20-1113	Plate	1				
20	11500778	Hex Head Bolt, M10x25	2				
21	MVG75-1091	Adjusting Screw	1				
22	MVG20-1091	Pin	1				
23	MVG16-1054	Pressure Switch	1				
24	MVG12-1040	Sealing Ring	1				

MARMON-HERRINGTON ALL-WHEEL DRIVE
 13001 Magisterial Drive • Louisville, KY 40223
 (502) 253-0277 • (800) 227-0727 • Fax (502) 253-0317
 E-mail: info@marmon-herrington.com

**GEAR SHIFT
 MVG 1600SD**





13001 Magisterial Drive • Louisville, KY 40223
(502) 253-0277 • (800) 227-0727 • Fax (502) 253-0317
E-mail: info@marmon-herrington.com

PM03/01