

MVG 750 SERIES Parts Manual

Pro Gear's Harmon-Herrington MVG 750 SERIES parts manual to assist in identifying the parts for your Harmon-Herrington transfer case unit.

If you need any assistance identifying the correct transfer case unit for your truck and equipment, contact your Harmon-Herrington replacement part specialists at Pro Gear and Transmission.

Pro Gear Transmission has same day shipping and 1000's of products in stock and ready to ship internationally for your next project.

For parts or service contact the Harmon-Herrington specialists at Pro Gear & Transmission, Inc.

1 (877) 776-4600
(407) 872-1901
parts@eprogear.com



PARTS MANUAL

FOR

MVG-2001

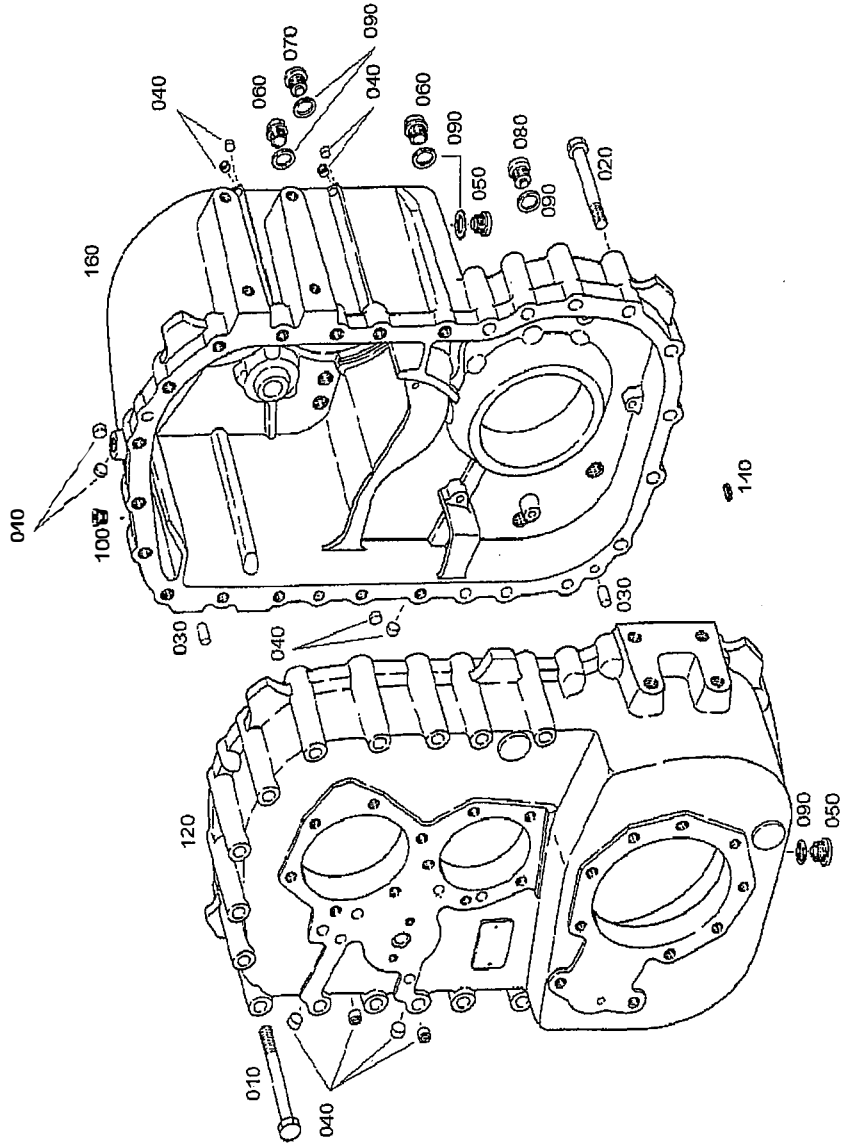
AM 01/11

TABLE OF CONTENTS

HOUSINGS.....	3-4
INPUT SHAFT GROUP.....	5-6
DOUBLE GEAR ASSY.....	7-8
OUTPUT SHAFT GROUP.....	8-9
FLANGES.....	10-11
GEAR SHIFT ASSY.....	12-13
MISC HARDWARE.....	14-15



HOUSING



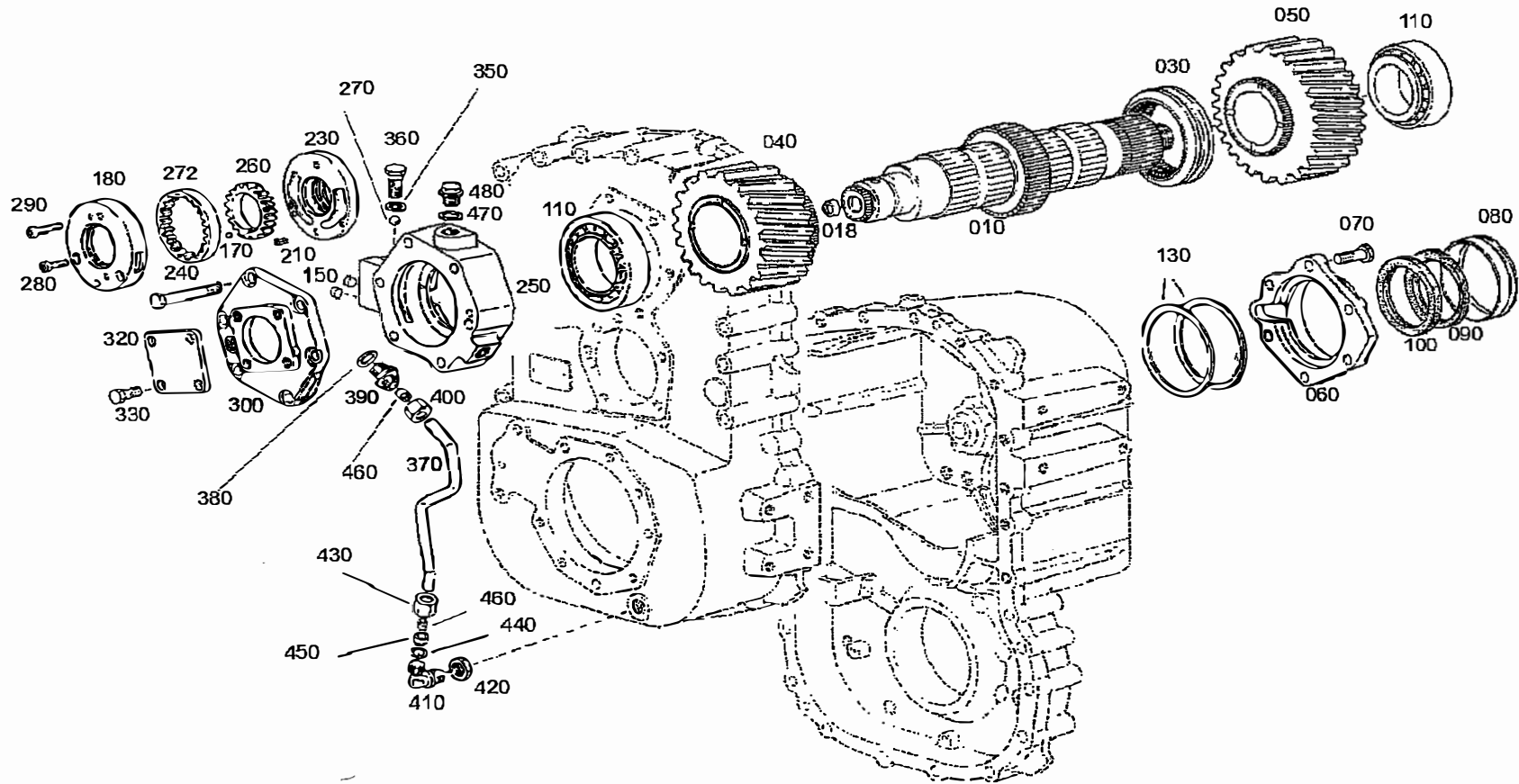
Marmon-Herrington


Item #	MH Part Number	Description	Qty Req	Item #	MH Part Number	Description	Qty Req
10	MVG202001	HEXAGON BOLT	15				
20	MVG202002	HEXAGON BOLT	11				
30	MVG201016	PIN	2				
40	DB51003	PLUG	13				
50	MVG751005	SCREW PLUG	2				
60	MVG751028	SCREW PLUG	2				
70	MVG751012	SCREW PLUG	3				
90	MVG121010	SEALING RING	7				
100	MVG202003	SCREW PLUG	1				
120	MVG202004	GEARBOX HOUSING	1				
140	MVG202005	SLOTPIN	1				
160	MVG202006	GEARBOX HOUSING	1				

HOUSING



INPUT SHAFT GROUP



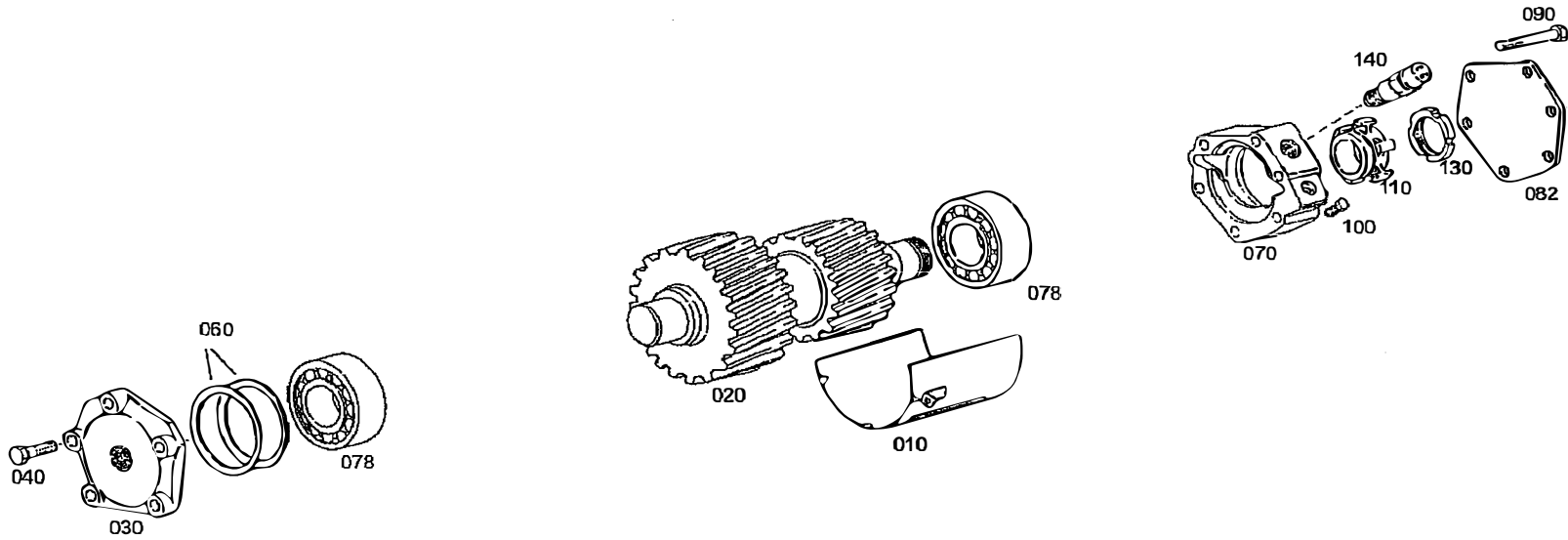
Marmon-Herrington


Item #	MH Part Number	Description	Qty Req	Item #	MH Part Number	Description	Qty Req
10	MVG202007	INPUT SHAFT	1	250	MVG202016	BEARING HOUSING	1
18	MVG201064	OIL DAM	1	260	MVG121068	GEAR	1
30	MVG201110	GEAR SHIFT SLEEVE	1	270	MVG202017	BALL	1
40	MVG201035	INPUT GEAR	1	272	MVG121067	GEAR RING	1
50	MVG201036	INPUT GEAR	1	280	MVG202018	CAP SCREW	2
60	MVG202008	BEARING COVER	1	290	MVG202019	CAP SCREW	2
70	MVG202009	HEXAGON BOLT	6	300	MVG202020	COVER	1
80	MVG202010	POT	1	320	MVG161018	COVER	1
90	MVG202011	SHAFT SEAL	1	330	MVG202021	HEXAGON BOLT	4
100	MVG202012	SHAFT SEAL	1	350	MVG202022	SEALING RING	1
110	MVG201039	TAROLLBEARING	2	360	MVG202023	UNION SCREW	1
130	MVG161014A	SHIM	1	370	MVG202024	OIL INDUCTION PIPE	1
xx	MVG161014B	SHIM	1	380	MVG121040	SEALING RING	1
xx	MVG161014C	SHIM	1	390	MVG202025	SOCKET	1
xx	MVG161014D	SHIM	1	400	MVG751038	UNION NUT	1
xx	MVG161014E	SHIM	1	410	MVG202026	SOCKET	1
xx	MVG161014F	SHIM	1	420	MVG202027	HEXAGON NUT	1
xx	MVG161014G	SHIM	1	430	MVG202028	UNION NUT	1
xx	MVG161014H	SHIM	1	440	MVG751042	SEALING RING	1
150	DB51002	KERNL VERSCHLUSS	3	450	MVG202029	PRESSURE RING	1
170	MVG202013	BALL	1	460	MVG751044	CUTTING RING	2
180	MVG202014	HOUSING	1	470	MVG121010	SEALING RING	1
210	MVG751033	SLOTPIN	1	480	MVG751028	SCREW PLUG	1
230	MVG751034	OIL PUMP COVER	1				
240	MVG202015	HEXAGON BOLT	6				

INPUT SHAFT



DOUBLE GEAR ASSY



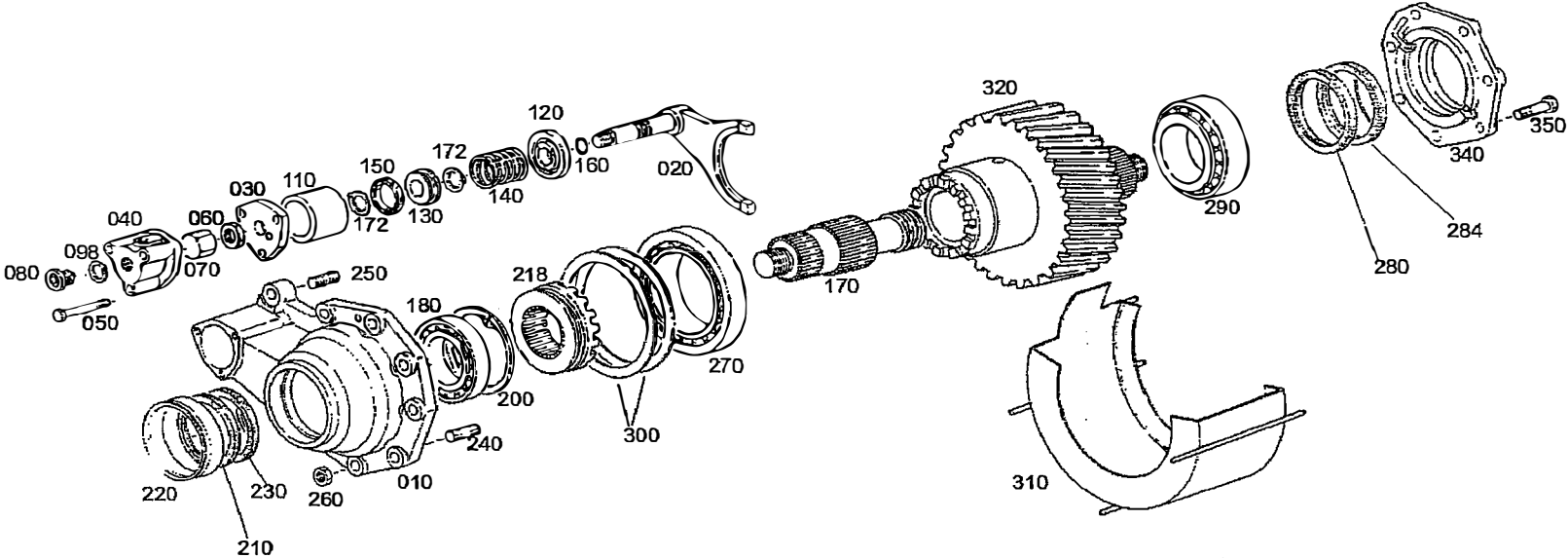
Marmon-Herrington


Item #	MH Part Number	Description	Qty Req	Item #	MH Part Number	Description	Qty Req
10	MVG201126	COVER PLATE	1				
20	MVG202030	DOUBLE GEAR	1				
30	MVG201004	END COVER	1				
40	MVG202031	HEXAGON BOLT	5				
60	MVG201046A	SHIM	1				
xx	MVG201046B	SHIM	1				
xx	MVG201046C	SHIM	1				
70	MVG202032	SPEEDOMETER HOUSING	1				
78	MVG201130	CYROLLBEARING	2				
82	MVG201026	COVER	1				
90	MVG202033	HEXAGON BOLT	6				
100	MVG202034	HEXAGON BOLT	1				
110	MVG202035	IMPULSTAR	1				
130	MVG202036	SLOTTED NUT	1				
140	MT932542	PULSE SENSOR	1				

DOUBLE GEAR



OUTPUT SHAFT GROUP



Marmon-Herrington

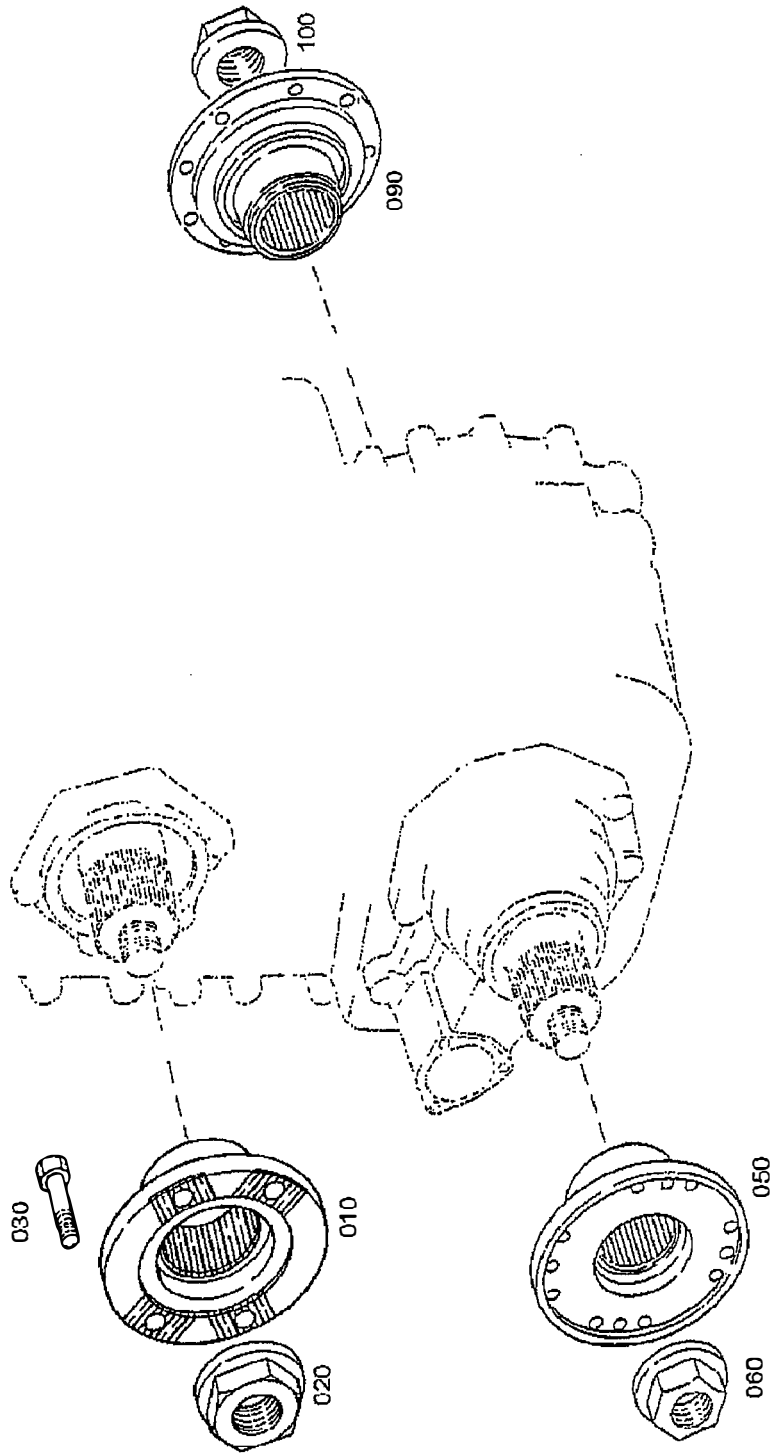


Item #	MH Part Number	Description	Qty Req	Item #	MH Part Number	Description	Qty Req
10	MVG201006	BEARING HOUSING	1	270	MVG201052	TAROLLBEARING	1
20	MVG201093	GEAR SHIFT FORK	1	280	MVG202049	SHAFT SEAL	1
30	MVG201009	COVER	1	284	MVG202050	SHAFT SEAL	1
40	MVG201010	COVER	1	290	MVG201039	TAROLLBEARING	1
50	MVG202037	HEXAGON BOLT	3	300	MVG201053A	SHIM	1
60	MVG202038	HEXAGON NUT	1	X	MVG201053B	SHIM	1
70	MVG201095	CAP NUT	1	X	MVG201053C	SHIM	1
80	MVG121042	SCREW PLUG	1	X	MVG201053D	SHIM	1
98	MVG121040	SEALING RING	1	X	MVG201053E	SHIM	1
110	MVG121034	BUSH	1	X	MVG201053F	SHIM	1
120	MVG121031	WASHER	1	X	MVG201053G	SHIM	1
130	MVG121037	PISTON	1	X	MVG201053H	SHIM	1
140	MVG121033	COMPRSPRING	1	310	MVG201125	COVER PLATE	1
150	MVG121038	SEALING COLLAR	1	320	MVG202051	OUTPUT SHAFT	1
160	MVG202039	O-RING	1	340	MVG202052	BEARING COVER	1
170	MVG201098	OUTPUT SHAFT	1	350	MVG202053	HEXAGON BOLT	7
172	MVG202040	RETAINING RING	2				
180	MVG202041	BALL BEARING	1				
200	MVG201055	RETAINING RING	1				
210	MVG202042	SHAFT SEAL	1				
218	MVG161036	GEAR SHIFT SLEEVE	1				
220	MVG202043	POT	1				
230	MVG202044	SHAFT SEAL	1				
240	MVG202045	STUD	7				
250	MVG202046	STUD	3				
260	MVG202047	HEXAGON NUT	10				

OUTPUT SHAFT



FLANGES



AM 01/11

11

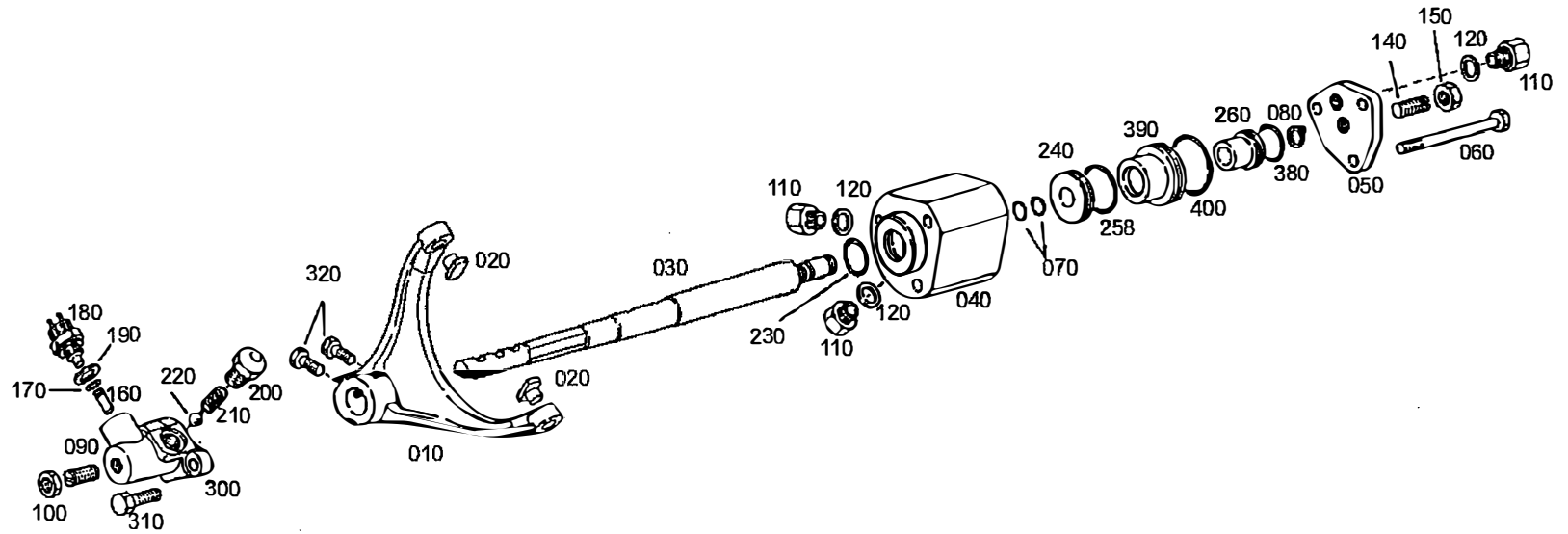
Marmon-Herrington


Item #	MH Part Number	Description	Qty Req	Item #	MH Part Number	Description	Qty Req
10	MVG202054	FLANGE	1				
20	MVG201043	COLLAR NUT	1				
30	MVG202055	HEXAGON BOLT	4				
50	MVG201061	FLANGE	1				
60	MVG121058	COLLAR NUT	1				
90	MVG161046	FLANGE	1				
10	MVG201043	COLLAR NUT	1				

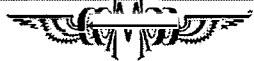
FLANGES



GEAR SHIFT ASSY



Marmon-Herrington



Item #	MH Part Number	Description	Qty Req	Item #	MH Part Number	Description	Qty Req
10	MVG201111	GEAR SHIFT FORK	1	258	MVG202064	SEALING RING	1
20	MVG121095	SLIDING PAD	2	260	MVG121047	PISTON	1
30	MVG202056	GEAR SHIFT ROD	1	300	MVG202065	FLANGE	1
40	MVG751088	SHIFT CYLINDER	1	310	MVG202066	HEXAGON BOLT	2
50	MVG751090	COVER	1	320	MVG751086	SCREW	2
60	MVG202057	HEXAGON BOLT	3	380	MVG202067	SEALING RING	1
70	MVG202058	O-RING	2	390	MVG751130	PISTON	1
80	MVG202059	RETAINING RING	1	400	DB51028	SEALING RING	1
90	MVG121126	SET SCREW	1				
100	MVG751092	HEXAGON NUT	1				
110	MVG202060	REDUCTION PIECE	3				
120	MVG121122	SEALING RING	3				
140	MVG121126	SET SCREW	1				
150	MVG751092	HEXAGON NUT	1				
160	MVG202061	PIN	1				
170	MVG121125	SNAP RING	1				
180	MVG202062	PRESSURE SWITCH	1				
190	MVG121040	SEALING RING	1				
200	MVG751099	BALL VALVE GUIDE	1				
210	MVG751100	SPRING	1				
220	MVG751101	BALL	1				
230	MVG202063	SEALING RING	1				
240	MVG751095	PISTON	1				

GEAR SHIFT



MISC HARDWARE



160



140

Marmon-Herrington



Item #	MH Part Number	Description	Qty Req	Item #	MH Part Number	Description	Qty Req
140	MVG201018	BREATHER	1				
160	MVG202068	PRESSURE SWITCH	1				

MISC

