



Meritor MTC3124 / Fabco T-2119 Transfer Case Parts Manual

Pro Gear Meritor MTC3124 / Fabco T-2119 Transfer Case Parts Manual to assist in identifying your Meritor / Fabco unit.

If you need any assistance identifying the correct transfer case unit for your truck and equipment, contact your Meritor / Fabco replacement part specialists at Pro Gear and Transmission.

Pro Gear Transmission has same day shipping and 1000's of products in stock and ready to ship internationally for your next project.

For parts or service contact the Meritor / Fabco specialists at Pro Gear & Transmission, Inc.

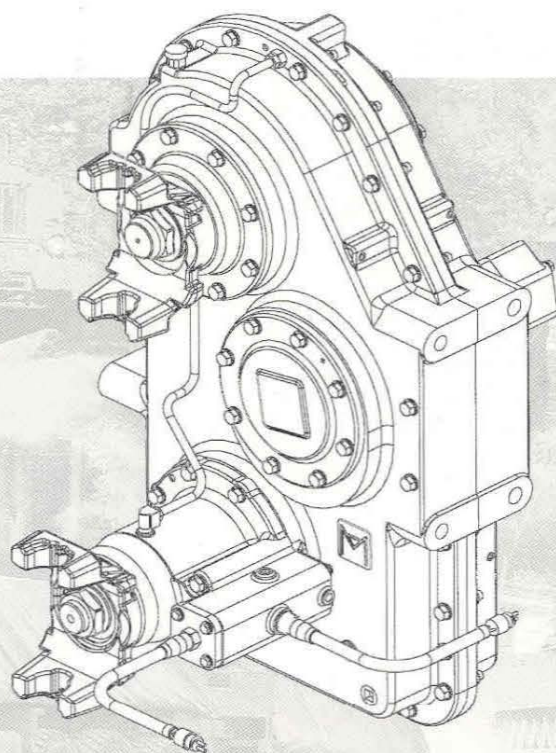
1 (877) 776-4600
(407) 872-1901
parts@eprogear.com



Revised 10/2004

T-2119 Series Transfer Case

Catalog PB-0145



Strength • Power • Speed • Agility

MERITOR PARTS. RIGHT FROM THE START.

Pro Gear and Transmission • 906 W. Gore St. Orlando, FL 32805 • 1 (877) 776-4600 / (407) 872-1901 • parts@eprogear.com

INTRODUCTION

- To find the part you need to order, match the item number on the exploded view (inside the front cover) with the item number in the parts list.
- All Meritor gears and shafts are marked with the check letter and final digits of the part number, for example, F-5024 or X-2442.
- When you service gears, we recommend that you replace all mating gears for the best quality repair.
- Service kits are available as well as individual parts.
- For service parts contact Meritor's Customer Service Department, 7975 Dixie Hwy., Florence, Kentucky 41042 or call (888) 725-9355.

T-2119 SERIES TRANSFER CASE

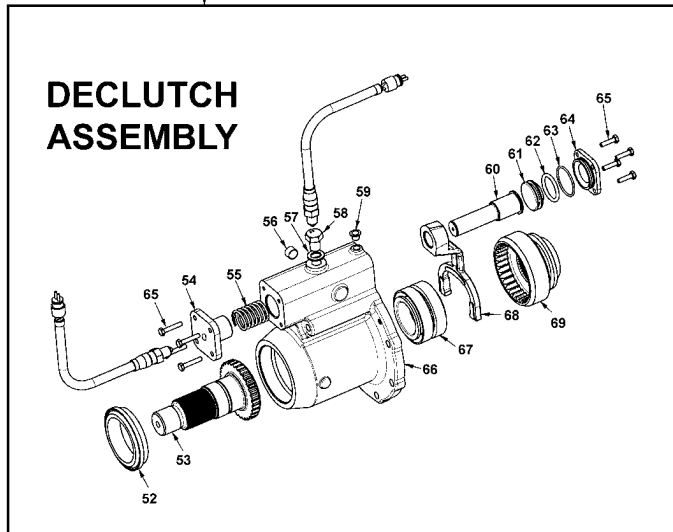
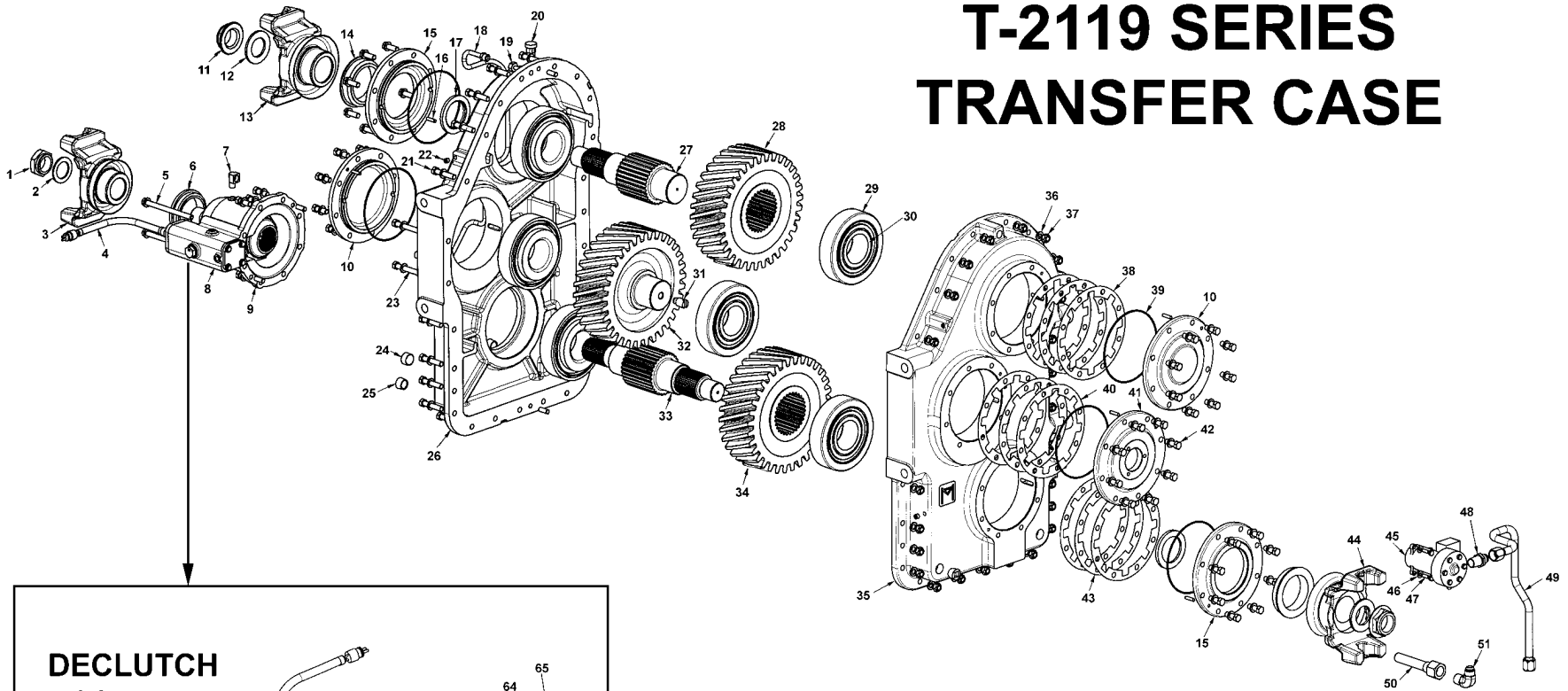


TABLE OF CONTENTS

	Page
T-2119 Series Service Kits	
Fasteners Kit.....	3
Seal Kit.....	3
Bearing Kit.....	4
T-2119 Series Transfer Case.....	5
T-2119 Series Declutch.....	7
Numerical Parts List.....	8

T-2119 SERIES SERVICE KITS

KIT 2527

FASTENERS KIT

Part Name	Qty.	Part Number	Description
Locknut	1	40-X-1237	M39 x 1.5 thd.
Washer	1	1229-T-1736	2.36" o.d. x 1.56" i.d. x .12" thk.
Capscrew	2	S-2746-2	7/16" - 14 thd. x 5.75" long
Dowel - pin	4	1246-T-1190	3/8" dia. x 1" long
Locknut	2	40-X-1233	M45 x 1.5 thd.
Washer - flat	2	1229-N-1730	3" o.d. x 1.79" i.d. x .19" thk.
Dowel - pin	5	1246-J-1206	1/4" dia. x 1" long
Washer - thrust	2	1229-N-4720	3.5" o.d. x 2.49" i.d. x .281" thk.
Capscrew	24	S-2718-2	7/16" - 14 thk. x 2.25" long
Plug	8	P-42	1/8 NPT, hex socket
Capscrew	2	S-2734-2	7/16" - 14 thk. x 4.25" long
Plug	3	P-212	3/4 NPT, square socket
Drain plug - magnetic	3	1250-E-473	3/4 NPT
Washer	98	1229-E-1513	.81" o.d. x .47" i.d. x .09" thk.
Locknut	24	NL-27-1	7/16" - 14, hex
Shim	1	2803-A-2705	7.63" b.c. dia., 8 bolt, .005" thk.
Capscrew	46	S-2710-2	7/16" - 14 thd. x 1.25" long
Shim	2	2803-B-2706	7.63" b.c. dia., 8 bolt, .003" thk.
Shim	6	2803-Z-2704	7.63" b.c. dia., 8 bolt, .010" thk.
Cap	1	2205-P-1134	1/4" - 4 bolt 2.75" x 2.75"
Plug	1	P-26	3/8 NPT, square socket
Washer - flat	1	1229-U-1503	1.06" o.d. x .66" i.d. x .09" thk.
Screw - special	1	41-X-1022	M16 x 1 thd. x 20 mm long
Washer - flat	3	WA-34	5/8" o.d. x 1/4" i.d. x .065" thk.
Capscrew	11	S-248-2	1/4" - 20 thd. x 1" long

KIT 2528

SEAL KIT

Part Name	Qty.	Part Number	Description
Seal assy. - oil, front output (included with Declutch assy.)	1	A-1205-P-2590	3.00" i.d. x 3.75" o.d. x .79" long
Seal assy. - oil (front input and rear output)	2	A-1205-R-2592	3.25" i.d. x 4.25" o.d. x .86" long
O-ring	5	5-X-1299	6.49" o.d. x .103", dash 165
O-ring	1	5-X-1198	1.46" ID x .207, dash 325
O-ring	1	5-X-1267	1.80" o.d. x .103, dash 133

T-2119 SERIES SERVICE KITS (cont)

KIT 2593

BEARING KIT

Part Name	Qty.	Part Number	Description
Bearing Cup	2	1228-M-1547	3.543" o.d. x .728" thick
Bearing Cone	2	1228-N-1548	3.258" o.d. x .928" thick
Spacer	1	1244-F-2554	.247" thick
Spacer	1	1244-Q-2565	.250" thick
Spacer	1	1244-R-2566	.253" thick
Spacer	1	1244-S-2567	.256" thick
Spacer	1	1244-T-2568	.259" thick
Spacer	1	1244-U-2569	.262" thick
Spacer	1	1244-V-2570	.265" thick
Spacer	1	1244-K-2585	.268" thick
Spacer	1	1244-L-2586	.271" thick
Spacer	1	1244-M-2587	.274" thick
Spacer	1	1244-N-2588	.277" thick
Spacer	1	1244-P-2590	.280" thick
Spacer	1	1244-Q-2591	.283" thick

T-2119 SERIES TRANSFER CASE

Item	Part Name	Qty.	Part Number	Description
1	Locknut	1	40-X-1237	M39 x 1.5 thd.
2	Washer	1	1229-T-1736	2.36" o.d. x 1.56" i.d. x .12" thk.
3	Yoke assy. - front output	1	170TYS32-2A2	2" x 39 x 2.0" long spline
4	Switch and connector assy. (optional)	2	3237-W-1167	2 AMP x 12 VDC, M16 x 1 thd.
5	Capscrew	2	S-2746-2	7/16" - 14 thd. x 5.75" long
6	Seal assy. - oil, front output (included with Declutch assy.)	1	A-1205-P-2590	3.00" i.d. x 3.75" o.d. x .79" long
7	Elbow - male	1	1898-H-242	1/4 NPT x 3/8" tube end
8	Declutch assy.	1	A1-3226-A-1379	10K Lb-Ft torque rating
9	Dowel - pin	4	1246-T-1190	3/8" dia. x 1" long
10	Cover - gear case fin.	2	3226-P-1420	8 bolt mount
11	Locknut	2	40-X-1233	M45 x 1.5 thd.
12	Washer - flat	2	1229-N-1730	3" o.d. x 1.79" i.d. x .19" thk.
13	Yoke assy. - front input	1	250TYS38-1	2-3/8" x 46 x 2.32" long spline
14	Seal assy. - oil (front input and rear output)	2	A-1205-R-2592	3.25" i.d. x 4.25" o.d. x .86" long
15	Cover - gear case fin.	2	3226-R-1422	8 bolt mount
16	Dowel - pin	5	1246-J-1206	1/4" dia. x 1" long
17	Washer - thrust	2	1229-N-4720	3.5" o.d. x 2.49" i.d. x .281" thk.
18	Lube tube assy.	1	A-2296-L-1130	3/8" o.d. tube
19	Connector	1	1898-J-868	1/4 NPT x 3/8" tube end
20	Breather assy.	1	A-1199-P-1394	3/8 NPT x 3/4" hex
21	Capscrew	24	S-2718-2	7/16" - 14 thk. x 2.25" long
22	Plug	8	P-42	1/8 NPT, hex socket
23	Capscrew	2	S-2734-2	7/16" - 14 thk. x 4.25" long
24	Plug	3	P-212	3/4 NPT, square socket
25	Drain plug - magnetic	3	1250-E-473	3/4 NPT
26	Cover - transfer case	1	3289-W-1089	3 shaft 17.25" drop (ratio 1:1)
		1	3289-P-1082	3 shaft 17.25" drop (ratio 1.21:1)
27	Shaft - input	1	3297-N-1470	12.69" long, 2-3/8" x 46 x 2.5" long spline
28	Gear - drive helical output	1	3892-F-5336	35T, 10.76" PD (ratio 0.83:1 Gear Option)
		1	3892-B-5306	32T, 9.84" PD (ratio 1.00:1 Gear Std.)
		1	3892-H-5338	29T, 8.92" PD (ratio 1.21:1 Gear Option)
29	Bearing cup	6	832	6.625" o.d. cup
30	Bearing cone	6	835	2.75" i.d. cone

T-2119 SERIES TRANSFER CASE

Item	Part Name	Qty.	Part Number	Description
31	Button - pump drive	1	2297-U-8315	.75" o.d. x 2.62" slot
32	Gear - idler helical	1	3892-Z-5304	33T, 10.15" PD (all ratios)
33	Shaft - output	1	3297-M-1469	16.39" long, 2-3/8" x 46 x 2.5" long spline
34	Gear - drive helical input	1	3892-H-5338	29T, 8.92" PD (ratio 0.83:1 Gear Option)
		1	3892-B-5306	32T, 9.84" PD (ratio 1.00:1 Gear Std.)
		1	3892-F-5336	35T, 10.76" PD (ratio 1.21:1 Gear Option)
35	Case - transfer	1	3290-L-1156	3 shaft 17.25" drop (ratio 1:1)
		1	3290-C-1147	3 shaft 17.25" drop (ratio 1.21:1)
36	Washer	98	1229-E-1513	.81" o.d. x .47" i.d. x .09" thk.
37	Locknut	24	NL-27-1	7/16" - 14, hex
38	Shim	1	2803-A-2705	7.63" b.c. dia., 8 bolt, .005" thk.
39	O-ring	5	5-X-1299	6.49" o.d. x .103", dash 165
40	Shim	2	2803-B-2706	7.63" b.c. dia., 8 bolt, .003" thk.
41	Cover - gear case	1	3226-Q-1421	8 bolt mount
42	Capscrew	46	S-2710-2	7/16" - 14 thd. x 1.25" long
43	Shim	6	2803-Z-2704	7.63" b.c. dia., 8 bolt, .010" thk.
44	Yoke assy. - rear output	1	250TYS38-1A	2-3/8" x 46 x 2.32" long spline
45	Oil pump	1	A-3303-D-1044	4.6 GPM @ 1750 RPM, 60 PSI relief
46	Washer - flat	3	WA-34	5/8" o.d. x 1/4" i.d. x .065" thk.
47	Capscrew	3	S-248-2	1/2"-20 thd. x 1" long
48	Connector - male	1	2206-Q-1421	3/4 NPT x 5/8" tube end
49	Lube tube - inlet assy.	1	A-2296-W-1141	5/8" o.d. tube (ratio 1:1)
		1	A-2296-V-1140	5/8" o.d. tube (ratio 1.21:1)
50	Fitting assy. - screen	1	A-2206-U-1425	3/4 NPT x 3/4 NPT x 5.4" long
51	Elbow - male	1	2206-R-1422	3/4 NPT x 5/8" tube end

T-2119 SERIES DECLUTCH ASSY.

Item	Part Name	Qty.	Part Number	Description
52	Seal assy. - oil (front output)	1	A-1205-P-2590	3" i.d. x 3.75" o.d. x .79" long
53	Shaft - PTO	1	3297-B-1432	2" x 39T x 1.9" long spline
54	Cap	1	2205-P-1134	1/4" - 4 bolt 2.75" x 2.75"
55	Spring - shifter	1	2258-N-1262	1.4" o.d. x 3.0" long, 6.9 coils
56	Plug	1	P-26	3/8 NPT, hex socket
57	Washer - flat	1	1229-U-1503	1.06" o.d. x .66" i.d. x .09" thk.
58	Screw - special	1	41-X-1022	M16 x 1 thd. x 20 mm long
59	Shipping protector	1	Not sold separately	
60	Rod - push	1	2244-N-1184	1" o.d. x 4.16" long
61	Piston - shifter	1	2230-T-1190	1.89" o.d. x .7" long
62	O-ring	1	5-X-1198	1.46" ID x .207, dash 325
63	O-ring	1	5-X-1267	1.80" o.d. x .103, dash 133
64	Plate - piston cover	1	2205-N-1132	1/4" - 4 bolt 2.5" x 2.5"
65	Capscrew	8	S-248-2	1/4" - 20 thd. x 1" long
66	Cage - bearing	1	3226-A-1379	
67	Bearing assy.	1	KIT 2593	
68	Fork - shift	1	3296-A-1301	1" dia., shaft mount
69	Clutch collar - diff. lockout	1	3107-D-1018	2.1" x 41T spline

NUMERICAL PARTS LIST

Part No.	Page
5-X-1198	7
5-X-1267	7
5-X-1299	6
40-X-1233	5
40-X-1237	5
41-X-1022	7
A-1199-P-1394	5
A-1205-P-2590	5, 7
A-1205-R-2592	5
1229-U-1503	7
1229-E-1513	6
1229-N-1730	5
1229-T-1736	5
1229-N-4720	5
1246-T-1190	5
1246-J-1206	5
1250-E-473	5
1898-H-242	5
1898-J-868	5
2205-N-1132	7
2205-P-1134	7
2206-Q-1421	6
2206-R-1422	6
A-2206-U-1425	6
2230-T-1190	7
2244-N-1184	7
2258-N-1262	7
A-2296-L-1130	5
A-2296-V-1140	6
A-2296-W-1141	6
2297-U-8315	6
2803-Z-2704	6
2803-A-2705	6
2803-B-2706	6
3107-D-1018	7
3226-A-1379	7

Part No.	Page
A1-3226-A-1379	5
3226-P-1420	5
3226-Q-1421	6
3226-R-1422	5
3237-W-1167	5
3289-P-1082	5
3289-W-1089	5
3290-C-1147	6
3290-L-1156	6
3296-A-1301	7
3297-B-1432	7
3297-M-1469	6
3297-N-1470	5
A-3303-D-1044	6
3892-Z-5304	6
3892-B-5306	5, 6
3892-F-5336	5, 6
3892-H-5338	5, 6
170TYS32-2A2	5
250TYS38-1	5
250TYS38-1A	6
832	5
835	5
KIT 2527	3
KIT 2528	3
KIT 2593	4, 7
NL-27-1	6
P-26	7
P-42	5
P-212	5
S-248-2	6, 7
S-2710-2	6
S-2718-2	5
S-2734-2	5
S-2746-2	5
WA-34	6

ARVINMERITOR AFTERMARKET PARTS WARRANTY

We warrant all new parts for one year from date of shipment to the buyer against defective material or workmanship (but not against damage caused by accident, abuse or improper installation, maintenance or repair) when such parts are used on vehicles the specifications of which have been approved by our Engineering Department.

As the exclusive remedy under this warranty, we will, at our option, repair or replace such parts free of charge, or take back the nonconforming parts and refund the monies paid by buyer for such parts, if found on examination by us to be nonconforming and if any necessary return charges are prepaid.

If it is necessary to return any parts under this warranty, buyer agrees not to make any deduction on account thereof from remittances on current accounts while claims are in the process of disposition. Any expense incurred without our consent for repairs or replacement will not be allowed.

THIS WARRANTY IS EXPRESSLY IN LIEU OF ALL OTHER WARRANTIES OR CONDITIONS, EXPRESS, IMPLIED OR STATUTORY, INCLUDING ANY IMPLIED WARRANTY OF MERCHANTABILITY OR FITNESS FOR PARTICULAR PURPOSE. IN NO EVENT SHALL SELLER BE LIABLE FOR INCIDENTAL OR CONSEQUENTIAL DAMAGES OF ANY NATURE.

Only genuine ArvinMeritor replacement parts are covered by this aftermarket parts warranty.

Information contained in this publication was in effect at the time the publication was approved for printing and is subject to change without notice or liability. ArvinMeritor reserves the right to revise the information presented or discontinue the production of parts at any time.

ArvinMeritor™

Commercial Vehicle Aftermarket

Meritor Heavy Vehicle Systems, LLC

7975 Dixie Highway
Florence, KY 41042 USA
888-725-9355
www.arvinmeritor.com

© Copyright 2004
ArvinMeritor, Inc.

Printed in U.S.A.

Revised 10/2004
PB-0145