



Pro Gear Cotta TR2218 Transfer Case product specifications to assist in identifying the mounting connection of your Cotta transfer case.

If you need any assistance identifying the correct Cotta transfer case unit for your truck and equipment, contact your Cotta replacement specialists at Pro Gear and Transmission.

Pro Gear stocks every part for your Cotta transfer case and has same day shipping and 1000's of products in stock and ready to ship internationally for your next project.

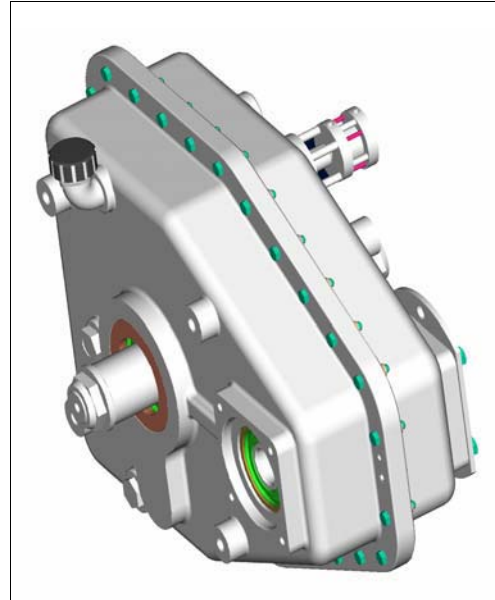
For parts or service contact the Cotta specialists at Pro Gear & Transmission, Inc.

1 (877) 776-4600
(407) 872-1901
parts@eprogear.com

TR2218 Hydro-motor "creep" drive

TR2218 is a single reduction auxiliary gearbox designed to provide vehicle inching by use of a hydraulic motor. The gearbox is installed in the driveline between the main transmission and drive axle. In creep operation, the main transmission is placed in neutral and an internal dog clutch engages the hydraulic motor which powers the rear axle through a reduction gear set. This can provide precise vehicle inching as well as fwd/rev control.

When the gearbox is shifted to road mode, the gears disengage and do not rotate thereby preventing HP loss and heat generation from gears churning in the oil, and back-driving the hydraulic motor is eliminated.



Capacity:	12,500 lb-ft through shaft. 900 lb-ft through gears
Maximum speeds:	Through shaft—3000 RPM Motor Pad—500 RPM
Ratio:	3:1
Shift type:	Air cylinder shifted dog type clutch
Lubrication:	Splash
Motor pads:	SAE C
Weight:	350 lbs. (approx)
Spline size:	2-3/4 X 10 (input and output)

TR2218 Inching Transmission

