



Pro Gear Cotta TR2226 Transfer Case product specifications to assist in identifying the mounting connection of your Cotta transfer case.

If you need any assistance identifying the correct Cotta transfer case unit for your truck and equipment, contact your Cotta replacement specialists at Pro Gear and Transmission.

Pro Gear stocks every part for your Cotta transfer case and has same day shipping and 1000's of products in stock and ready to ship internationally for your next project.

For parts or service contact the Cotta specialists at Pro Gear & Transmission, Inc.

1 (877) 776-4600  
(407) 872-1901  
parts@eprogear.com

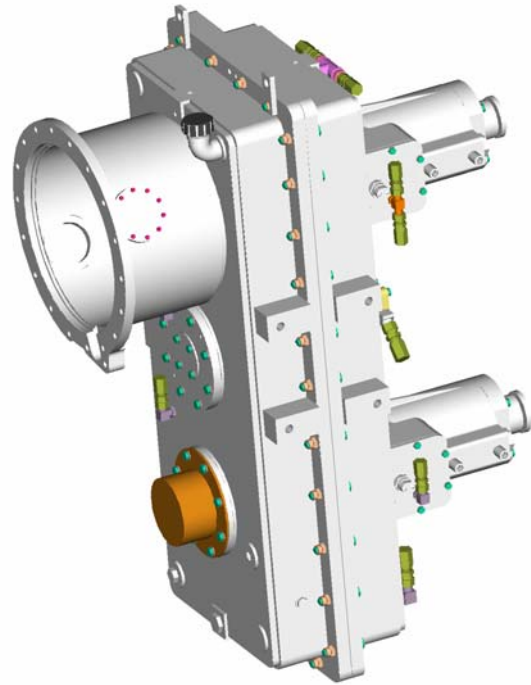
## TR2226 Transfer Case

For Allison 4000 series transmissions

Model TR2226 is a three gear transfer case designed for direct mounting to Allison 4000 series transmissions. The gearbox features a mounting flange, helical ground gears, tapered roller bearings, and heavy duty case. The gearbox is designed for severe service in both mobile and stationary equipment.

An optional disconnect can be added for the front axle, rear axle, and PTO.

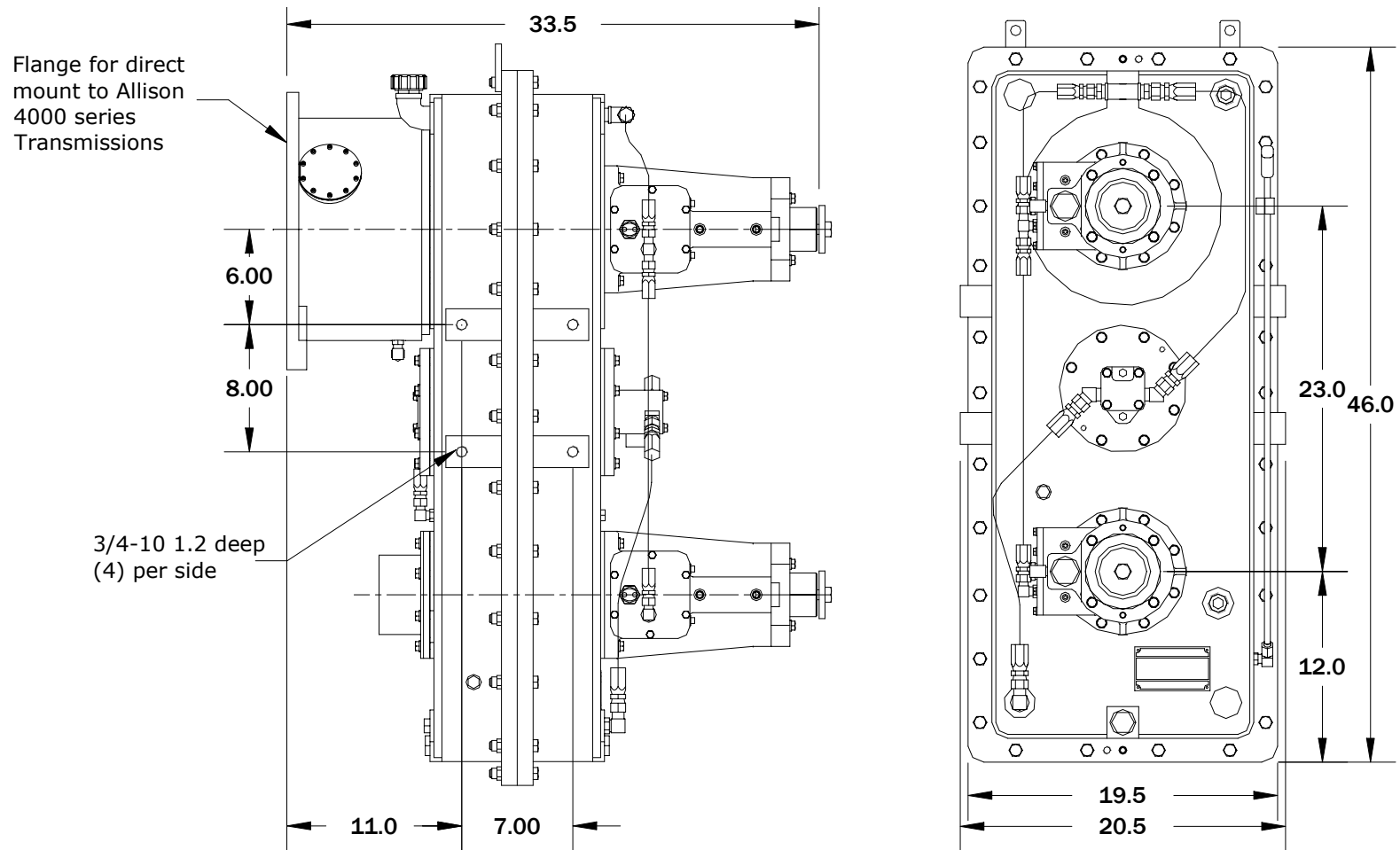
A remote mount version without the flange is also available.



---

<b>Capacity:</b>	17,000 lb-ft. max input torque
<b>Maximum input speed:</b>	2,800 RPM for short duration
<b>Center distance:</b>	23 inches
<b>Rotation:</b>	Output same as input
<b>Lubrication:</b>	Splash/Lube pump
<b>Ratio:</b>	1:1
<b>Gears</b>	Precision ground helical
<b>Bearings:</b>	Tapered roller
<b>Mounting:</b>	4 holes each side
<b>Weight:</b>	1400 lbs.
<b>Disconnects:</b>	2-3/4X10 spline SAE C,D,E pump pads

# TR2226 Transfer Case



Do not scale or lay out using this drawing. Use only certified drawings provided with your order