



Pro Gear Cotta TR2273 Transfer Case product specifications to assist in identifying the mounting connection of your Cotta transfer case.

If you need any assistance identifying the correct Cotta transfer case unit for your truck and equipment, contact your Cotta replacement specialists at Pro Gear and Transmission.

Pro Gear stocks every part for your Cotta transfer case and has same day shipping and 1000's of products in stock and ready to ship internationally for your next project.

For parts or service contact the Cotta specialists at Pro Gear & Transmission, Inc.

1 (877) 776-4600
(407) 872-1901
parts@eprogear.com



TR2273 CREEP DRIVE AUXILIARY GEARBOX

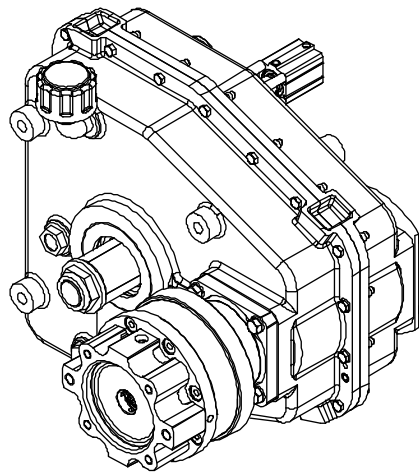
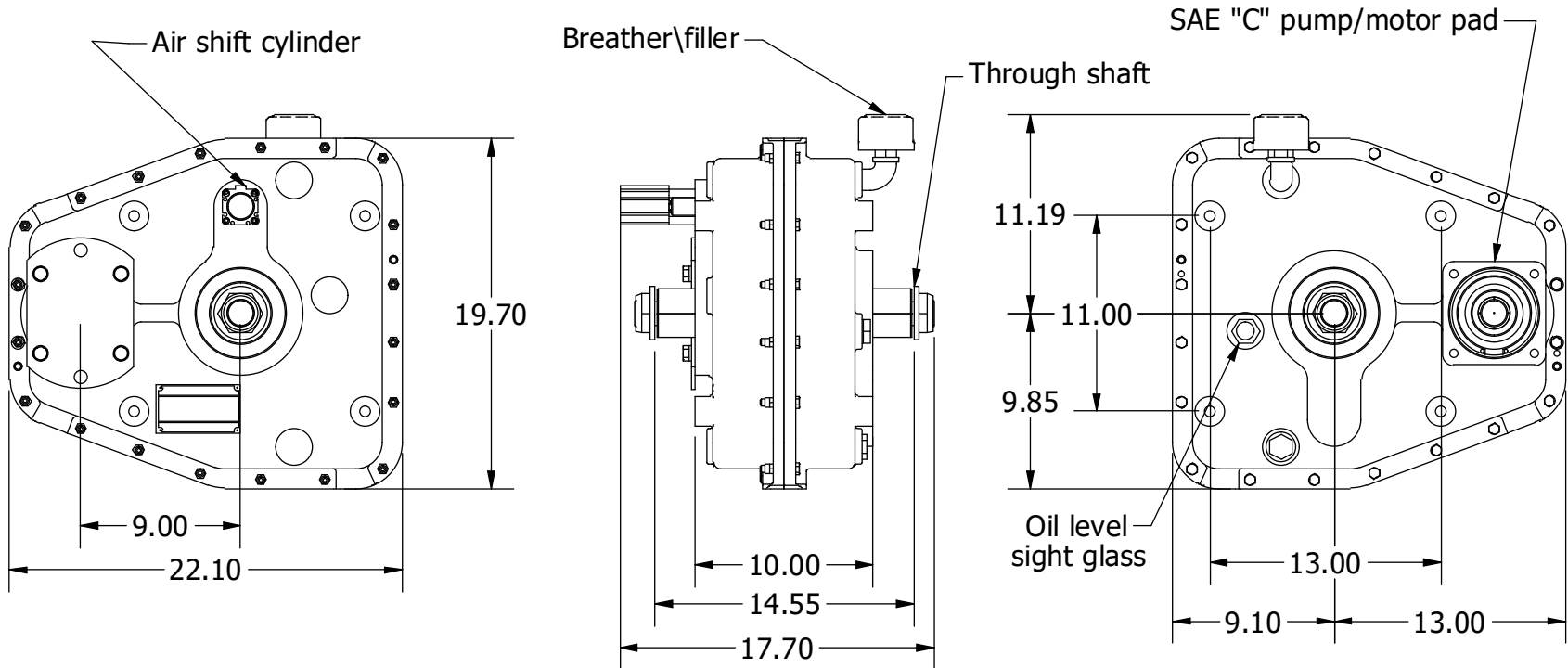
Product Description

Model TR2273 is an auxiliary gearbox designed to provide precision vehicle speed control by using a hydraulic motor to rotate the vehicle drive shaft. The Creep Drive gearbox is installed in the drive-line between the main transmission and rear axle. In road mode power is transmitted normally via a through shaft in the gearbox. In creep mode the main transmission is shifted to neutral and the hydraulic motor and reduction gear-set in the gearbox are engaged to rotate the drive-line. Applications include paint strippers, feeders, spreaders, lifts, road/rail, and similar uses requiring inching or remote operation.

MAX INPUT SPEED:	3000 RPM Drive shaft 500 RPM Motor pad.
MAX TORQUE:	Drive shaft - 12,500 lb-ft. Motor pad - C spline 475 lb-ft Motor pad - CC spline 900 lb-ft Motor pad - D spline 1250 lb-ft
REDUCTION RATIO:	3:1 gearbox 13.5:1 using optional 4.5:1 input planetary
THROUGH SHAFT SPLINE SIZE:	2.75 X 10 Straight side
MOTOR/PUMP PAD:	SAE "C"
MOUNTING:	(4) 1/2"-13 tapped holes on 11"X13" rectangular pattern
LUBRICATION:	Internal reservoir. Splash delivery
SHIFTING:	Dual acting air cylinder
APPROXIMATE WEIGHT:	400 lbs.



This drawing shows general arrangement and approximate space claim. Do not design or lay out using this drawing. Use only certified drawings provided by Cotta Engineering.



TR2273 shown with optional planetary input gearbox installed.

TR2273 CREEP DRIVE