



## Eaton Fuller FRLO-14410C Transmission Parts Manual

This is Eaton Fuller FRLO-14410C Transmission parts manual brought to you by Pro Gear and Transmission to assist you identifying the parts for your Eaton / Fuller transmission unit.

If you need any assistance identifying the correct Eaton / Fuller unit for your truck and equipment, contact your Eaton replacement parts specialists at Pro Gear and Transmission.

Pro Gear stocks every part for your Eaton transmission including: Valve Assemblies, Synchronizers, Yoke Assemblies, O-Ring Kits, Drive Gears, Gaskets, Bearing and Seal Kits, and much more.

Pro Gear and Transmission has same day shipping and thousands of products in stock and ready to ship internationally for your next project.

For parts or service contact the Eaton transmission specialists at Pro Gear & Transmission, Inc.

 CALL US

 EMAIL US

 VISIT MODEL PAGE

 VISIT ONLINE STORE



**Roadranger®**

More time on the road®

# Illustrated Parts List

---

**FRLO-14410C-T2**

**November 2012**

# Contents

|   |    |
|---|----|
| How To Use The Illustrated Parts List ..... | 3  |
| CASE ASSY.....                              | 4  |
| COUNTERSHAFT & BRGS(AUX) .....              | 7  |
| COUNTERSHAFT ASSY.....                      | 8  |
| ELECTRONIC CONTROL UNIT.....                | 9  |
| FILTER REGULATOR.....                       | 10 |
| INPUT SHAFT & DRIVE GEAR .....              | 11 |
| INTEGRAL OIL COOLER .....                   | 13 |
| ISOLATORS .....                             | 14 |
| KITS & ASSEMBLIES .....                     | 15 |
| LEVERS/HOUSINGS.....                        | 17 |
| MAINSHAFT & SYNCHRO(AUX) .....              | 19 |
| MAINSHAFT ASSY .....                        | 21 |
| MISCELLANEOUS.....                          | 22 |
| RANGE CYLINDER.....                         | 23 |
| REAR BEARING COVER.....                     | 24 |
| REVERSE IDLER .....                         | 26 |
| SHIFT KNOB .....                            | 27 |
| SHIFT SHAFT ASSY .....                      | 28 |
| SPLITTER CYLINDER .....                     | 30 |

## How To Use The Illustrated Parts List

The information contained in this document is subject to frequent updates. Therefore, for the latest information available, please visit the interactive Electronic Parts Catalog at [www.roadranger.com/epc](http://www.roadranger.com/epc).

### Model Designation or Nomenclature

- For information regarding Model Designation and Nomenclature, visit [www.roadranger.com](http://www.roadranger.com).

### Kits and Assemblies (K/A's)

- Kits and Assemblies contain groups of individual or assembled parts developed for optimal replacement or repair of a service problem.
- Kits and Assemblies are shown with applicable parts groupings in the parts listings.

### Identifying Kits and Assemblies

A- Part numbers beginning with the letter 'A' are pre-assembled Production Assemblies

K- Part numbers beginning with the letter 'K' are kits that are not assembled

S- Part numbers beginning with the letter 'S' are pre-assembled Service Assemblies

- Note: Some Production Assemblies do not begin with a letter prefix (Midrange only).

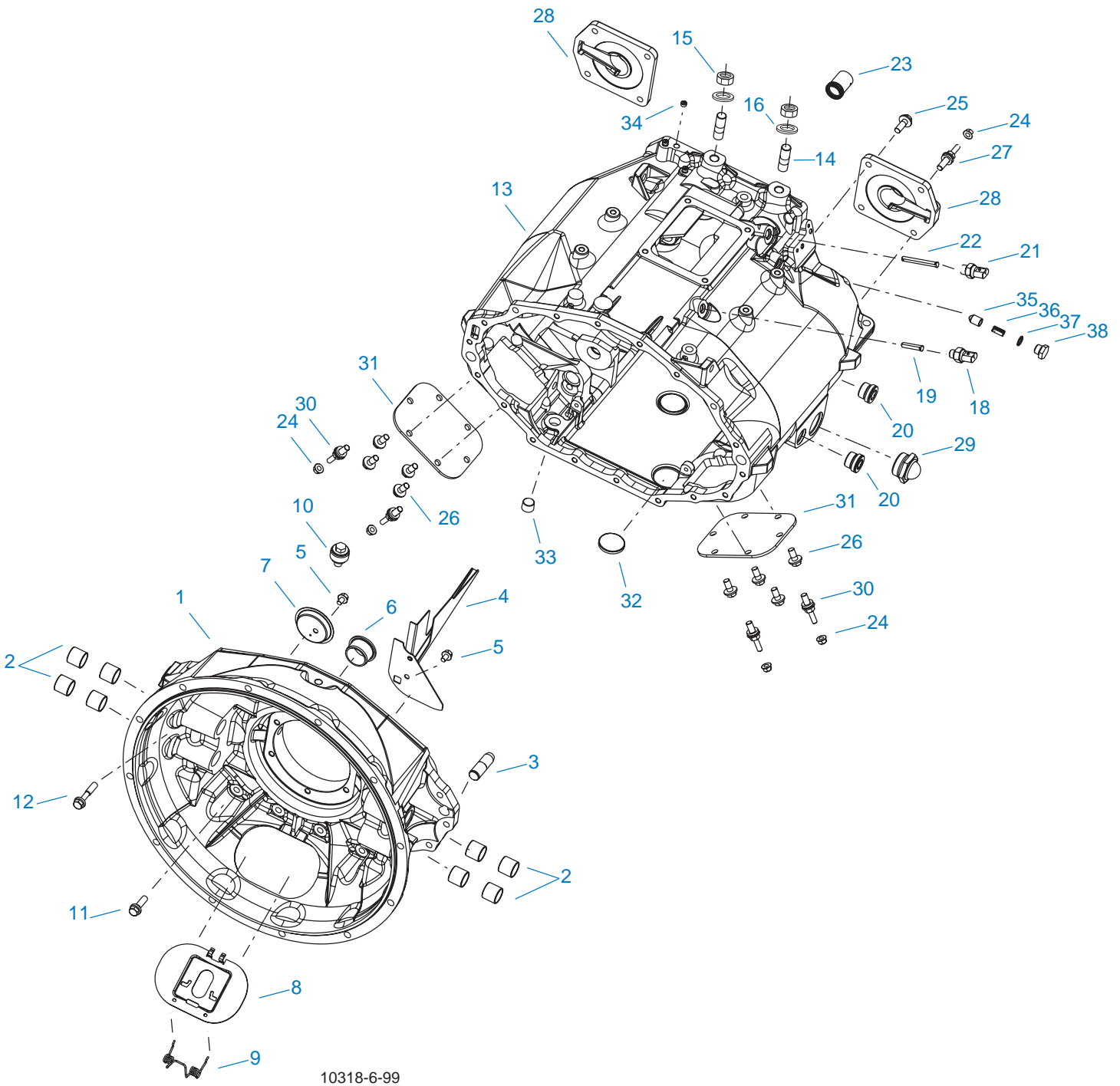
### Illustrations

- Illustrations show parts in assembly groups.
- Item numbers on illustrations correspond with parts listings on pages adjacent to the illustration.
- Notes are included on illustrations where additional information is needed.

### Parts Listing

Parts listings are defined by parts groupings and are broken down by service assemblies. Parts listings identify a part for servicing with the following categories

- **Item Number** - corresponding with numbers on illustrations for part identification.
- **Current Part** - identifies part as it is available for service.
- **Description** - specifies part name or description.
- **Replaced Part** - quantity quantity required for assembly.
- **Quantity** - defines unique characteristics or requirements.
- **Notes** - indicates Kits or Assemblies that contain a particular part.
- **Kits/Assy's Where Used**



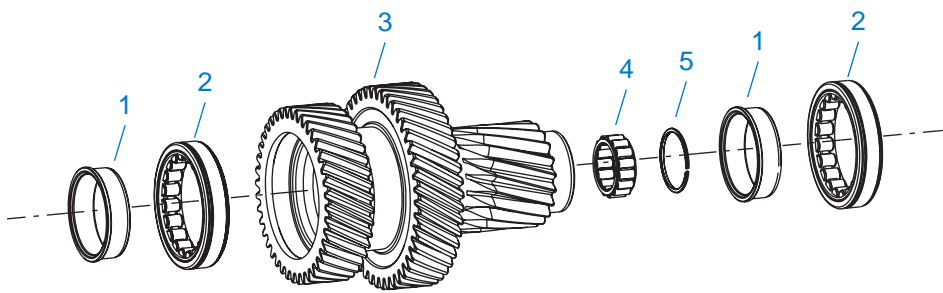
10318-6-99

## CASE ASSY

| Item | Current Part | Description     | Replaced Part   | Qty. | Notes                               | Kits/Assys Where Needed |
|------|--------------|-----------------|-----------------|------|-------------------------------------|-------------------------|
| 0    | 4306899      | LUBE TAG        | 4304885         | 1    | NOT PICTURED - LOCATED BY FILL PLUG |                         |
| 0    | K-3650       | RTV SERVICE KIT | 5564515 5564525 | 1    | FLANGE SEALANT                      | K-3617,S-2831,S-2857    |
| 1    | K-3914       | CLUTCH HOUSING  | 4304273,A-7326  | 1    | NON-NODAL MOUNT - ALUMINUM          |                         |

| Item | Current Part | Description                     | Replaced Part                  | Qty. | Notes  | Kits/Assys Where Needed |
|------|--------------|---------------------------------|--------------------------------|------|--|-------------------------|
|      |              | SERVICE KIT                     |                                |      | - HYDRAULIC  |                         |
| 1    | S-3116R      | REMAN CLUTCH HOUSING ASSY (SAU) | 4305248,A-7437                 | 1    | STANDARD - ALUMINUM  |                         |
| 1    | S-3117R      | REMAN CLUTCH HOUSING ASSY (NAU) | 4305238,A-7439                 | 1    | NODAL MOUNT - ALUMINUM   |                         |
| 2    | 12815        | BUSHING                         |                                | 4    |  |                         |
| 2    | 16374        | PLUG                            |                                | 2    |  |                         |
| 3    | 14334        | DOWEL                           |                                | 2    |  | K-3914                  |
| 4    | 4304285      | OIL TROUGH                      |                                | 1    |  | K-3914                  |
| 5    | X-8-0801M    | CAPSCREW                        |                                | 3    | M8 X 1.25 X 12MM   | K-3914                  |
| 6    | 4305220      | BUSHING (SHIFT ROD)             | 2770085                        | 1    |  | K-3914                  |
| 7    | 4304187      | OIL DAM PLATE                   |                                | 1    |  | K-3914                  |
| 8    | 4304197      | COVER                           |                                | 1    |  |                         |
| 9    | 4304199      | SPRING                          |                                | 1    |  |                         |
| 10   | 4304602      | BREATHER                        | 23605                          | 1    | 1/4" NPT   |                         |
| 11   | X-8C-1014M   | CAPSCREW & WASHER               |                                | 16   | M10 X 35.0MM   |                         |
| 12   | X-8C-1023M   | CAPSCREW & WASHER               |                                | 2    | M10 X 55.0MM   |                         |
| 13   | S-2965       | CASE ASSY - STANDARD            | 4304361                        | 1    |  |                         |
| 14   | 5577504      | STUD                            |                                | 2    | M16 X 2 X 52MM   |                         |
| 15   | X-1-1606M    | SELF LOCKING HEX NUT            | X 1 1601M ,X 1 1603M,X-1-1605M | 2    | M16 X 1.5  |                         |
| 16   | X-10-1005    | WASHER                          |                                | 2    |  |                         |
| 18   | 4302748      | REVERSE SWITCH                  |                                | 1    |  |                         |
| 19   | 4304165      | PIN                             |                                | 1    |  |                         |
| 20   | 4304023      | PLUG                            | 4303747                        | 2    | 1-1/16" MAGNETIC, O-RING INCLUDED ONE FOR FILL OPENING ONE FOR DRAIN OPENING |                         |
| 21   | 4302749      | NEUTRAL SWITCH                  |                                | 1    |  |                         |
| 22   | 4304105      | PIN                             |                                | 1    |  |                         |
| 23   | 4304189      | OIL SEAL                        |                                | 1    |  | K-4130,K-4131           |
| 24   | X-1-1604M    | NUT                             |                                | 8    | M8 X 1.25  |                         |
| 25   | X-8C-1015M   | CAPSCREW & WASHER               |                                | 4    | M10 X 30.0MM   |                         |
| 26   | X-8C-        | CAPSCREW & WASHER               |                                | 8    | M10 X 20MM   |                         |

| Item | Current Part | Description            | Replaced Part | Qty. | Notes           | Kits/Assys Where Needed |
|------|--------------|------------------------|---------------|------|-----------------|-------------------------|
|      | 1016M        |                        |               |      |                 |                         |
| 27   | 4304196      | SCREW                  |               | 4    | M10 X M8        |                         |
| 28   | 4304239      | AUX COUNTERSHAFT COVER |               | 2    |                 |                         |
| 29   | 4305550      | SIGHT PLUG (1-5/8)     | 4304123       | 1    |                 |                         |
| 30   | 4304203      | SCREW                  |               | 4    | M10 X M8        |                         |
| 31   | 14575        | PTO COVER              | 4302254       | 1    |                 |                         |
| 32   | 14373        | MAGNET                 |               | 3    |                 | S-2965                  |
| 33   | X-12-802     | PIPE PLUG              | X12 800       | 1    | 1/2"            |                         |
| 34   | X-12-208     | PIPE PLUG              |               | 3    | 1/8" NPT        |                         |
| 35   | 4304138      | PLUNGER                | 4302162       | 1    | SPLITTER DETENT | K-3408                  |
| 36   | 4304113      | COMPRESSION SPRING     |               | 1    |                 | K-3408,K-4130,K-4131    |
| 37   | 5568510      | -O- RING               |               | 1    |                 |                         |
| 38   | 4304129      | PLUG                   |               | 1    |                 |                         |

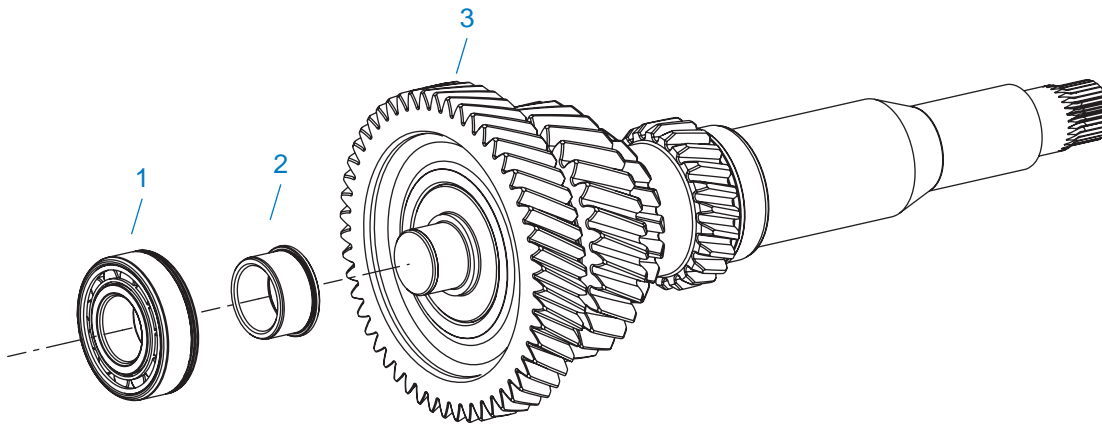


10455-6-99

## COUNTERSHAFT & BRGS(AUX)

| Item | Current Part | Description              | Replaced Part | Qty. | Notes                     | Kits/Assys Where Needed |
|------|--------------|--------------------------|---------------|------|---------------------------|-------------------------|
| 1    | 4304185      | BEARING - INNER RACE     |               | 4    |                           | K-4130,K-4131           |
| 2    | 4304184      | BEARING - OUTER RACE     |               | 4    |                           | K-4130,K-4131           |
| 3    | A-6873       | WELDED COUNTERSHAFT ASSY |               | 2    | C/S 4304159 - S/G 4304131 |                         |
| 4    | 4304214      | BEARING                  |               | 2    |                           | K-4130,K-4131           |
| 5    | 4304217      | RETAINING RING           |               | 2    |                           | K-4130,K-4131           |

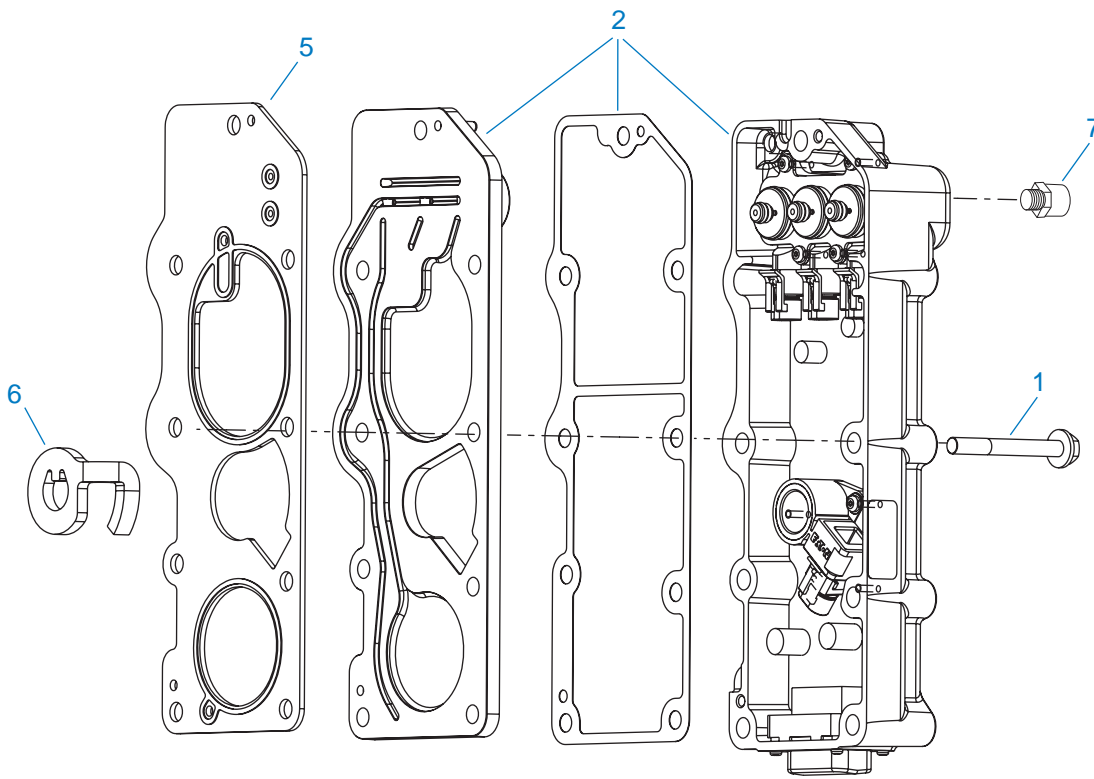




10366-6-99

### COUNTERSHAFT ASSY

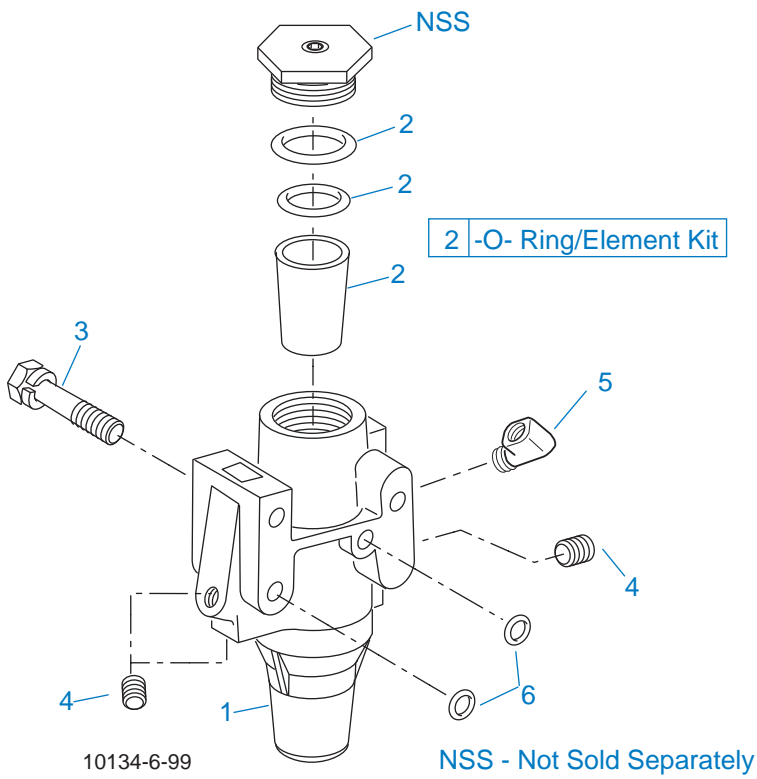
| Item | Current Part | Description              | Replaced Part              | Qty. | Notes                                     | Kits/Assys Where Needed |
|------|--------------|--------------------------|----------------------------|------|---|-------------------------|
| 1    | K-3691       | ROLLER BEARING KIT       | 4305338                    | 2    |   |                         |
| 2    | 4304212      | BEARING - INNER RACE     |                            | 2    |   | K-4130,K-4131           |
| 3    | A-7217       | WELDED COUNTERSHAFT ASSY | 4304279 ,4304283 ,A - 7166 | 2    | C/S 4304258 - D/G 4304257 4TH/G - 4304283 |                         |



20315-6-99

## ELECTRONIC CONTROL UNIT

| Item | Current Part | Description                  | Replaced Part  | Qty. | Notes       | Kits/Assys Where Needed |
|------|--------------|------------------------------|--|------|-------------|-------------------------|
| 1    | X-8C-0809M   | CAPSCREW & WASHER            |  | 9    | M8 X 70.0MM |                         |
| 2    | S-2818RX     | REMAN EXCHANGE LIGHTNING ECU | 4304198 ,A - 6893 ,A - 6997 ,A - 6998 ,A - 6999,S-2818 | 1    |             |                         |
| 5    | 4304186      | SEAL PLATE                   |  | 1    |             | K-4130,K-4131           |
| 6    | 4304175      | WASHER                       |  | 1    |             |                         |
| 7    | 7935         | BREATHER                     |  | 1    |             |                         |

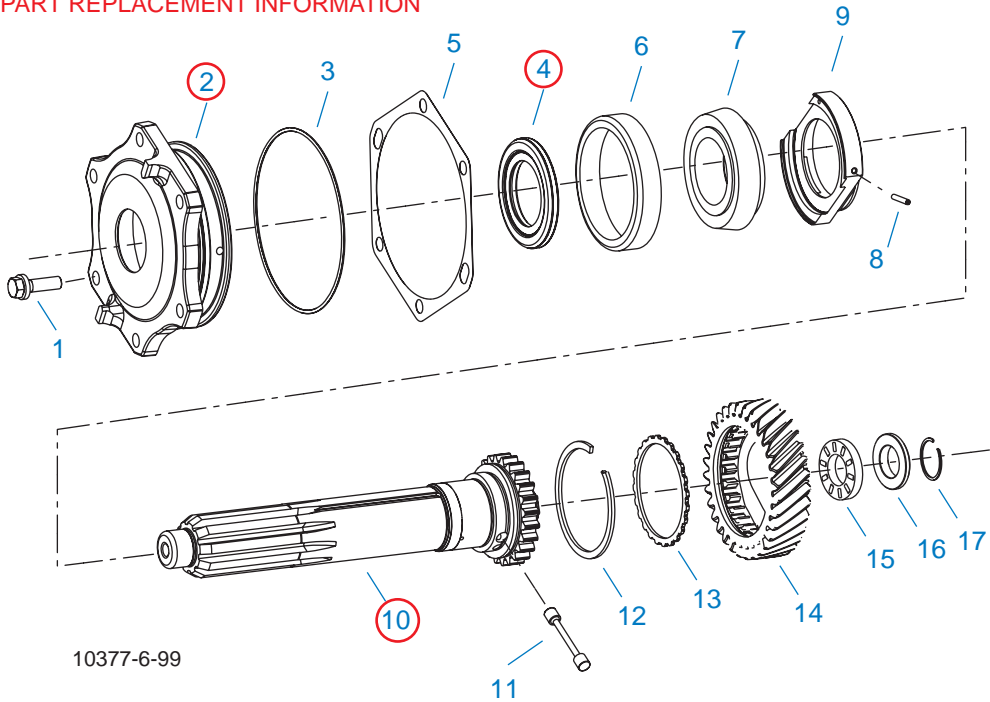


## FILTER REGULATOR

| Item | Current Part | Description           | Replaced Part | Qty. | Notes                | Kits/Assys Where Needed |
|------|--------------|-----------------------|---------------|------|----------------------|-------------------------|
| 1    | A-5373       | FILTER REGULATOR ASSY | 22677         | 1    | 77 - 82 PSI          |                         |
| 2    | K-1698       | -O- RING/ELEMENT KIT  |               | 1    | FOR FILTER REGULATOR |                         |
| 3    | X-8C-0604M   | CAPSCREW & WASHER     |               | 2    | M6 X 55.0MM          |                         |
| 4    | X-12-208     | PIPE PLUG             |               | 3    | 1/8" NPT             |                         |
| 5    | 4304778      | ELBOW                 |               | 1    | 90 DEGREE            |                         |
| 6    | 15114        | -O- RING              |               | 2    |                      |                         |

**IMPORTANT**

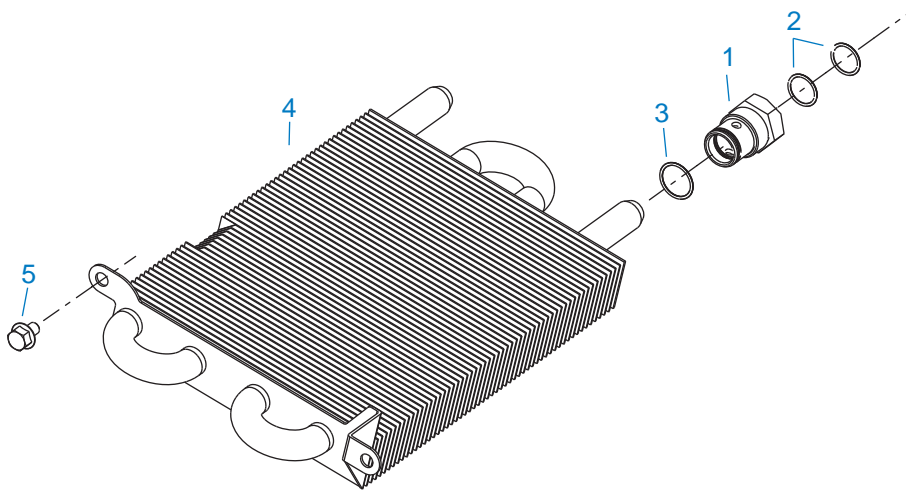
DUE TO DESIGN CHANGES, PLEASE VERIFY THE PART NUMBER ON THE COMPONENT TO ENSURE PROPER PART REPLACEMENT INFORMATION



**INPUT SHAFT & DRIVE GEAR**

| Item | Current Part | Description             | Replaced Part                     | Qty. | Notes   | Kits/Assys Where Needed |
|------|--------------|-------------------------|-----------------------------------|------|---|-------------------------|
| 1    | X-8C-1014M   | CAPSCREW & WASHER       |                                   | 6    | M10 X 35.0MM  |                         |
| 2    | K-3764       | CLUTCH INSTALLATION KIT | 4304102 ,4304125 ,S - 2968,K-3654 | 1    | UNITS BUILT PRIOR TO S/N K0300427                               |                         |
| 2    | S-2992       | FRONT BRG COVER ASSY    | 4305123                           | 1    | UNITS BUILT BEGINNING WITH S/N K0300427                         | K-3764                  |
| 3    | 5568540      | NO LONGER AVAILABLE     |                                   | 1    | CAN ONLY BE USED WITH 4304233 FRONT BEARING COVER, ORDER S-2968 |                         |
| 3    | 5568545      | O-RING                  |                                   | 1    | CAN ONLY BE USED WITH 4305123 FRONT BEARING COVER               | K-3575,S-2992           |
| 4    | 4305625      | OIL SEAL                | 4304125                           | 1    | UNITS BUILT BEGINNING WITH S/N K0300427                         | K-4130,K-4131,S-2992    |
| 4    | K-3764       | CLUTCH INSTALLATION KIT | 4304102 ,4304125 ,S - 2968,K-3654 | 1    | UNITS BUILT PRIOR TO S/N K0300427                               |                         |
| 5    | K-3575       | SHIM KIT                | K - 3402                          | 1    |   | K-3764,K-4130,K-4131    |
| 6    | 5557503      | BEARING CUP             |                                   | 1    |   | K-4130,K-4131,S-        |

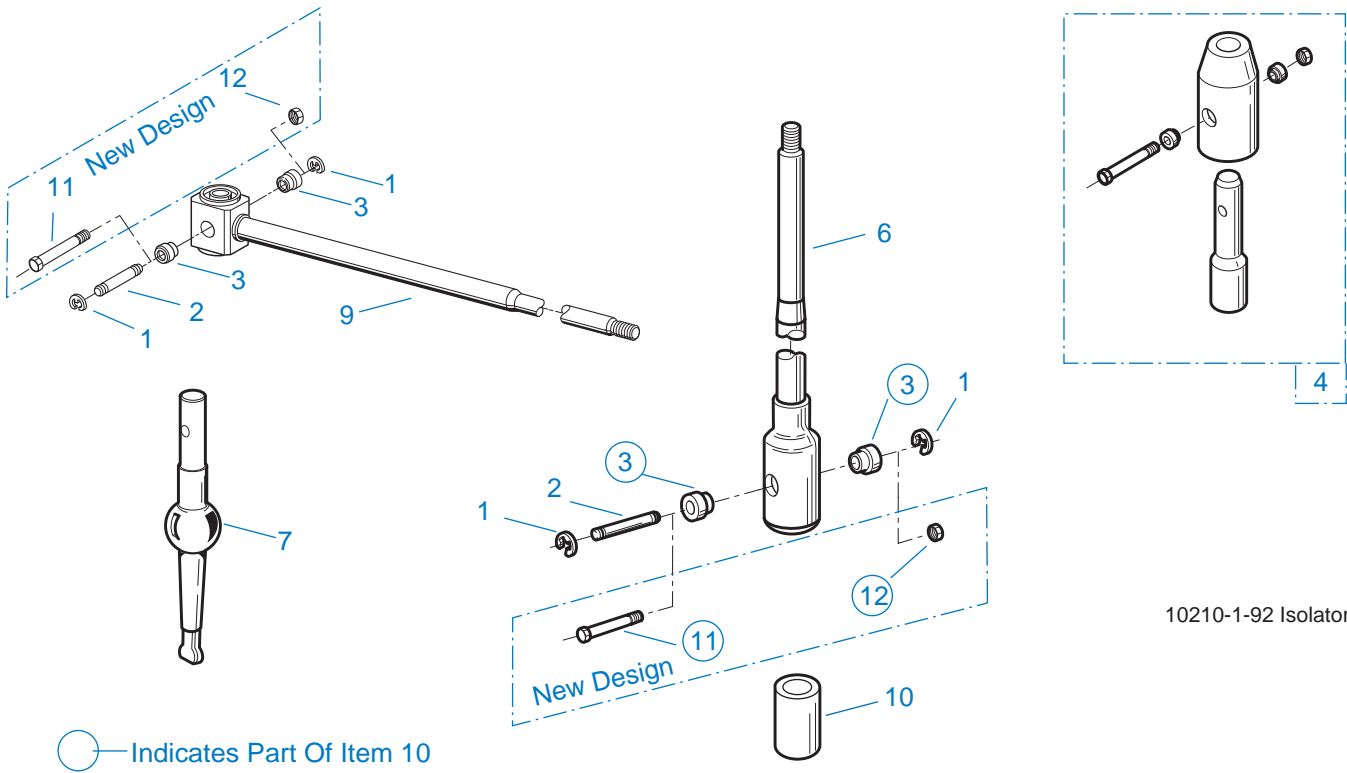
| Item | Current Part | Description             | Replaced Part                     | Qty. | Notes                                   | Kits/Assys Where Needed |
|------|--------------|-------------------------|-----------------------------------|------|---|-------------------------|
|      |              |                         |                                   |      |   | 2992                    |
| 7    | 5557005      | BEARING CONE            |                                   | 1    |   | K-3764,K-4130,K-4131    |
| 8    | X-11-0400M   | SCREW                   |                                   | 1    |   | K-3764,K-4130           |
| 9    | 4304201      | ECCENTRIC PUMP ASSY     |                                   | 1    |   | K-3764,K-4130           |
| 10   | 4305624      | INPUT SHAFT             | 4304102                           | 1    | UNITS BUILT BEGINNING WITH S/N K0300427 | K-3764,K-4130           |
| 10   | K-3764       | CLUTCH INSTALLATION KIT | 4304102 ,4304125 ,S - 2968,K-3654 | 1    | UNITS BUILT PRIOR TO S/N K0300427       |                         |
| 11   | 4304103      | PISTON PUMP             |                                   | 1    |   | K-3764,K-4130           |
| 12   | 4304124      | SNAP RING               |                                   | 1    |   |                         |
| 13   | 4305542      | MAIN DRIVE GEAR WASHER  | 4304218                           | 1    |   |                         |
| 14   | 4304266      | MAIN DRIVE GEAR         | 4304110                           | 1    |   |                         |
| 15   | 4304181-BOX  | BEARING                 | 4304181                           | 1    |   | K-4130,K-4131           |
| 16   | 4304137-BOX  | SPHERICAL WASHER        | 4304137                           | 1    |   | K-3408                  |
| 17   | 4304101      | SNAP RING               |                                   | 1    |   | K-3408,K-4130,K-4131    |



10536-6-99

## INTEGRAL OIL COOLER

| Item | Current Part | Description  | Replaced Part | Qty. | Notes                      | Kits/Assys Where Needed |
|------|--------------|--------------|---------------|------|----------------------------|-------------------------|
| 1    | A-6899       | FITTING ASSY | 4304240       | 2    | 7/8" - INCLUDES ITEM 2 & 3 |                         |
| 2    | 20875        | -O- RING     |               | 4    |                            | A-6899                  |
| 3    | 5568538      | -O- RING     |               | 2    |                            | A-6899                  |
| 4    | 4304127      | OIL COOLER   |               | 1    |                            |                         |
| 5    | X-8-0801M    | CAPSCREW     |               | 2    | M8 X 1.25 X 12MM           | K-3914                  |



10210-1-92 Isolator

## ISOLATORS

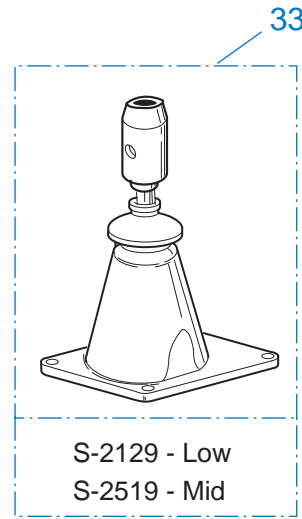
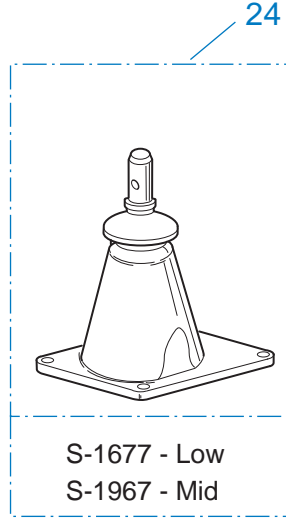
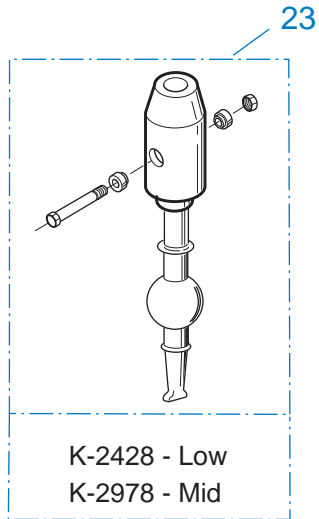
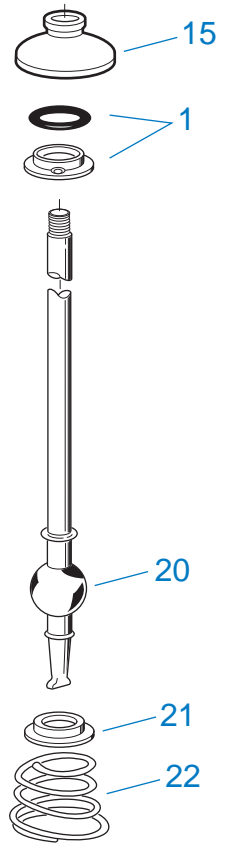
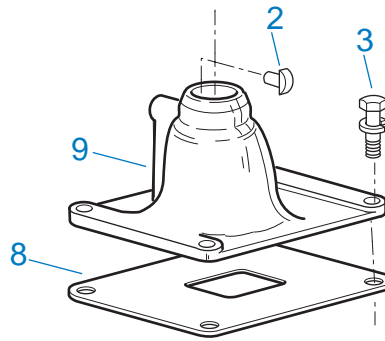
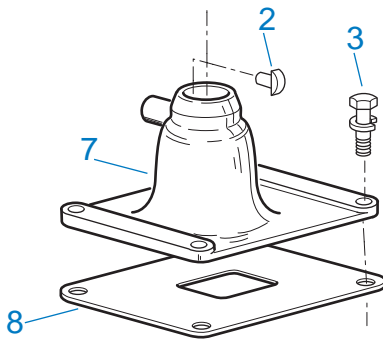
| Item | Current Part | Description          | Replaced Part | Qty. | Notes           | Kits/Assys Where Needed            |
|------|--------------|----------------------|---------------|------|-----------------|------------------------------------|
| 1    | 19124        | -E- RING             |               | 2    |                 |                                    |
| 2    | K-3467       | PIN REPLACEMENT KIT  | 21245         | 1    |                 |                                    |
| 3    | 21246        | BUSHING              |               | 2    |                 | K-2428,K-2978,K-3399,S-2129,S-2519 |
| 4    | S-1794       | ISOLATOR ASSY        |               | 1    |                 |                                    |
| 6    | 21247        | LEVER                |               | 1    | STRAIGHT 18.67" |                                    |
| 7    | 21235        | STUB LEVER           |               | 1    | LOW TOWER       | K-2428,S-1677                      |
| 7    | 4301168      | STUB LEVER           |               | 1    | MID TOWER       | K-2978                             |
| 9    | 21767        | 90 DEG LEVER         |               | 1    | STRAIGHT 33"    |                                    |
| 10   | K-3399       | ISOLATOR BUSHING KIT | 21244 ,23311  | 1    |                 |                                    |
| 11   | X-8-560      | SCREW                |               | 1    |                 |                                    |
| 12   | X-9-503      | NUT                  |               | 1    |                 |                                    |

## KITS & ASSEMBLIES

| Item   | Current Part | Description                  | Replaced Part                         | Qty. | Notes  | Kits/Assys Where Needed |
|--------|--------------|------------------------------|---------------------------------------|------|--|-------------------------|
| K-1476 |              | SHIFT LEVER HSG              | 4530 ,17163 ,18298 ,4304905 ,A - 4437 | 1    | LOW TOWER  |                         |
| K-1698 |              | -O- RING/ELEMENT KIT         |                                       | 1    | FOR FILTER REGULATOR   |                         |
| K-2428 |              | LEVER REPLACEMENT KIT        |                                       | 1    | LOW TOWER  |                         |
| K-2977 |              | SHIFT LEVER HSG KIT          | 4301167 ,4304907 ,A - 6040            | 1    | MID TOWER  |                         |
| K-2978 |              | LEVER REPLACEMENT KIT        |                                       | 1    | MID TOWER  |                         |
| K-3376 |              | O-RING & WASHER KIT          | 4301211                               | 1    |  |                         |
| K-3399 |              | ISOLATOR BUSHING KIT         | 21244 ,23311                          | 1    |  |                         |
| K-3405 |              | REPAIR KIT - RANGE           |                                       | 1    |  |                         |
| K-3406 |              | REPAIR KIT - SPLITTER        |                                       | 1    |  |                         |
| K-3407 |              | REPAIR KIT - RANGE/SPLITTER  |                                       | 1    |  | K-4130,K-4131           |
| K-3408 |              | SMALL PARTS KIT              |                                       | 1    |  |                         |
| K-3454 |              | SPEED SENSOR KIT             | A - 6398 ,A - 6724                    | 1    | SINGLE PICK-UP (2 PIN)   |                         |
| K-3455 |              | SPEED SENSOR KIT, DUAL       | A - 7046 ,A - 7518                    | 1    | DUAL PICK-UP (4 PIN)   |                         |
| K-3467 |              | PIN REPLACEMENT KIT          | 21245                                 | 1    |  |                         |
| K-3492 |              | SYNCHRONIZER KIT             | K - 2446                              | 1    |  |                         |
| K-3497 |              | SYNCHRONIZER REPLACEMENT KIT | K - 3200                              | 1    | SLIDING CLUTCH INCLUDED IN KIT   |                         |
| K-3523 |              | SPEEDO PLUG KIT              | 4302707                               | 1    |  |                         |
| K-3575 |              | SHIM KIT                     | K - 3402                              | 1    |  | K-3764,K-4130,K-4131    |
| K-3617 |              | OIL SEAL KIT                 | 4302322 ,4302323                      | 1    |  | K-4130,K-4131           |
| K-3650 |              | RTV SERVICE KIT              | 5564515 5564525                       | 1    | FLANGE SEALANT   | K-3617,S-2831,S-2857    |
| K-3764 |              | CLUTCH INSTALLATION KIT      | 4304102 ,4304125 ,S - 2968,K-3654     | 1    | UNITS BUILT PRIOR TO S/N K0300427  |                         |
| K-3914 |              | CLUTCH HOUSING SERVICE KIT   | 4304273,A-7326                        | 1    | NON-NODAL MOUNT - ALUMINUM - HYDRAULIC   |                         |
| K-4130 |              | BASIC OVERHAUL KIT           | K - 3409,K-3652                       | 1    |  |                         |
| K-4131 |              | BASIC REBUILD KIT            | K - 3410,K-3653                       | 1    | FOR UNITS BUILT PRIOR TO S/N K0300427 YOU MUST ALSO ORDER A 4305624 INPUT SHAFT, |                         |



| Item     | Current Part | Description                  | Replaced Part  | Qty. | Notes   | Kits/Assys Where Needed |
|----------|--------------|------------------------------|--|------|---|-------------------------|
|          |              |                              |  |      | FOR UNITS BUILT BEGINNING WITH S/N K0300427 YOU ONLY NEED TO ORDER K-3653   |                         |
| S-1794   |              | ISOLATOR ASSY                |  | 1    |   |                         |
| S-2129   |              | SHIFT LEVER HSG ASSY         |  | 1    | LOW TOWER   |                         |
| S-2501   |              | SPEEDO ROTOR ASSY            | 4302242  | 1    | MAGNETIC  |                         |
| S-2519   |              | SHIFT LEVER HSG ASSY         | S - 2919   | 1    | MID TOWER   |                         |
| S-2810   |              | MAINSHAFT ASSY               | 4304104  | 1    |   |                         |
| S-2818RX |              | REMAN EXCHANGE LIGHTNING ECU | 4304198 ,A - 6893 ,A - 6997 ,A - 6998 ,A - 6999,S-2818 | 1    |   |                         |
| S-2827   |              | MAINSHAFT ASSY - AUX.        | 4304156  | 1    |   |                         |
| S-2831   |              | REAR BEARING COVER ASSY      | 4304109 ,4304182                                       | 1    | ONE PUSH-IN SENSOR OPENING (10.00) TWO THREADED SENSOR OPENINGS (4:00/8:00) |                         |
| S-2857   |              | REAR BEARING COVER ASSY      | 4304215  | 1    | THREE PUSH-IN SENSOR OPENINGS (10:00/4:00/8:00)                             |                         |
| S-2965   |              | CASE ASSY - STANDARD         | 4304361  | 1    |   |                         |
| S-2992   |              | FRONT BRG COVER ASSY         | 4305123  | 1    | UNITS BUILT BEGINNING WITH S/N K0300427                                     | K-3764                  |

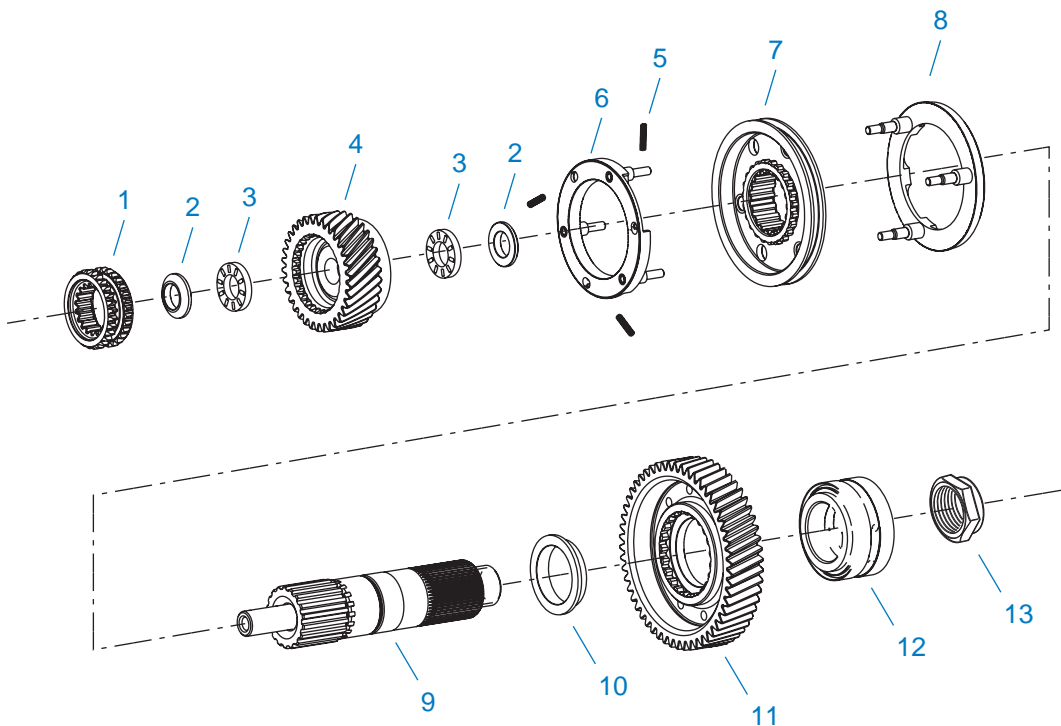


10208-6-99

## LEVERS/HOUSINGS

| Item | Current Part | Description         | Replaced Part                         | Qty. | Notes        | Kits/Assys Where Needed                                 |
|------|--------------|---------------------|---------------------------------------|------|--------------|---|
| 1    | K-3376       | O-RING & WASHER KIT | 4301211                               | 1    |              |   |
| 2    | 18299        | PIN                 |                                       | 1    |              | K-1476,K-2977,S-1677                                    |
| 3    | X-8C-1015M   | CAPSCREW & WASHER   |                                       | 4    | M10 X 30.0MM |   |
| 7    | K-1476       | SHIFT LEVER HSG     | 4530 ,17163 ,18298 ,4304905 ,A - 4437 | 1    | LOW TOWER    |   |
| 8    | 4305294      | GASKET              | 4303431                               | 1    |              | K-1476,K-2428,K-2977,K-2978,S-1677,S-1967,S-2129,S-2519 |
| 9    | K-2977       | SHIFT LEVER HSG KIT | 4301167 ,4304907 ,A - 6040            | 1    | MID TOWER    |   |
| 15   | 10427        | BOOT                |                                       | 1    |              | K-1476,K-2977,S-1677                                    |

| Item | Current Part | Description           | Replaced Part | Qty. | Notes                  | Kits/Assys Where Needed |
|------|--------------|-----------------------|---------------|------|------------------------|-------------------------|
| 20   | 17600        | GEAR SHIFT LEVER      |               | 1    | STRAIGHT - LOW 21-1/2" |                         |
| 21   | 2538         | RETAINER              |               | 1    |                        | K-1476,K-2977,S-1677    |
| 22   | 2536         | SPRING                |               | 1    |                        | K-1476,K-2977,S-1677    |
| 23   | K-2428       | LEVER REPLACEMENT KIT |               | 1    | LOW TOWER              |                         |
| 23   | K-2978       | LEVER REPLACEMENT KIT |               | 1    | MID TOWER              |                         |
| 24   | S-1677       | SHIFT TOWER ASSY      |               | 1    | LOW TOWER              |                         |
| 24   | S-1967       | SHIFT TOWER ASSY      |               | 1    | MID TOWER              |                         |
| 33   | S-2129       | SHIFT LEVER HSG ASSY  |               | 1    | LOW TOWER              |                         |
| 33   | S-2519       | SHIFT LEVER HSG ASSY  | S - 2919      | 1    | MID TOWER              |                         |



10439-6-99

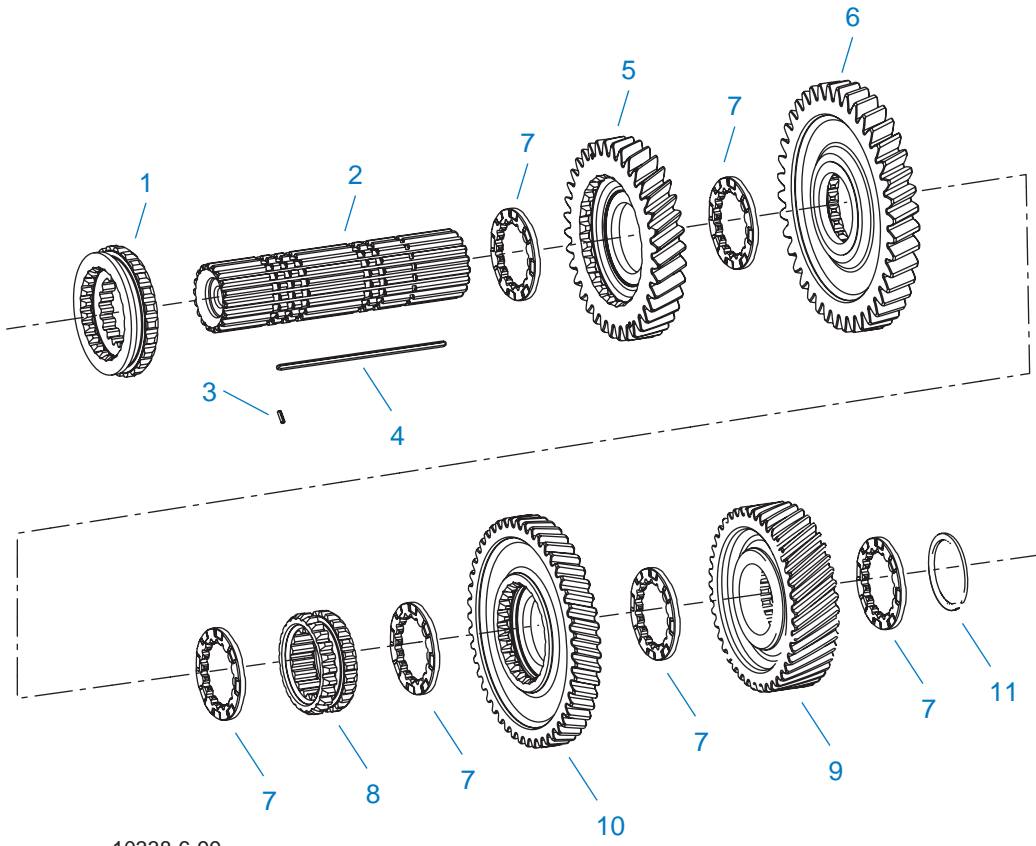
## MAINSHAFT & SYNCHRO(AUX)

| Item | Current Part | Description             | Replaced Part            | Qty. | Notes                         | Kits/Assys Where Needed     |
|------|--------------|-------------------------|--------------------------|------|-------------------------------|-----------------------------|
| 1    | 4304140      | SLIDING CLUTCH          |                          | 1    |                               |                             |
| 2    | 4304137-BOX  | SPHERICAL WASHER        | 4304137                  | 2    |                               | K-3408                      |
| 3    | 4304181-BOX  | BEARING                 | 4304181                  | 2    |                               | K-4130,K-4131               |
| 4    | 4304161      | AUXILIARY SPLITTER GEAR |                          | 1    |                               |                             |
| 5    | 14897        | SPRING                  |                          | 3    |                               | K-3492,K-3497,K-4130,K-4131 |
| 6    | A-7331       | SYNCHRONIZER ASSY       | 4304396 4304397 A - 5917 | 1    | HI RANGE                      | K-3492,K-3497               |
| 7    | 4301840      | SLIDING CLUTCH          | 4303386                  | 1    |                               | K-3497                      |
| 8    | A-7254       | SYNCHRONIZER ASSEMBLY   | A - 4937 A - 5876        | 1    | LO RANGE                      | K-3492,K-3497               |
| 9    | S-2827       | MAINSHAFT ASSY          | 4304156                  | 1    |                               |                             |
| 10   | 4304139      | SPACER                  |                          | 1    |                               |                             |
| 11   | 4304163      | REDUCTION GEAR          |                          | 1    |                               |                             |
| 12   | 5556505      | BEARING                 |                          | 1    | AVAILABLE FOR TRUCK DOWN ONLY |                             |

---

| Item | Current Part | Description                | Replaced Part   | Qty. | Notes | Kits/Assys Where Needed |
|------|--------------|----------------------------|-----------------|------|-------|-------------------------|
| 13   | K-4122       | HEX FLANGE CRIMPED NUT KIT | 4302321,4306520 | 1    |       |                         |

---



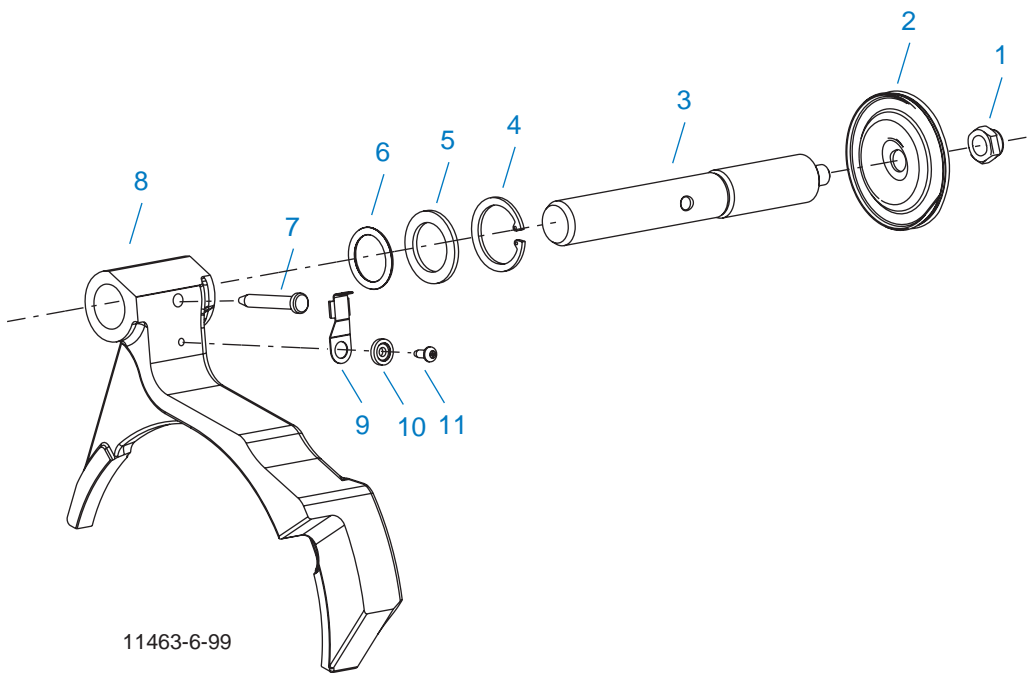
10338-6-99

### MAINSHAFT ASSY

| Item | Current Part | Description            | Replaced Part | Qty. | Notes | Kits/Assys Where Needed |
|------|--------------|------------------------|---------------|------|-------|-------------------------|
| 1    | 4304267      | SLIDING CLUTCH         | 4304242       | 1    |       |                         |
| 2    | S-2810       | MAINSHAFT ASSY         | 4304104       | 1    |       |                         |
| 3    | 62504        | ROLL PIN               |               | 1    |       | S-2810                  |
| 4    | 4304114      | KEY                    |               | 1    |       | K-3408                  |
| 5    | 4304263      | 4TH GEAR-MAINSHAFT     |               | 1    |       |                         |
| 6    | 4304280      | 1ST GEAR-MAINSHAFT     | 4304121       | 1    |       |                         |
| 7    | 4304128      | WASHER                 |               | 6    |       | K-3408                  |
| 8    | 4304132      | SLIDING CLUTCH         |               | 1    |       |                         |
| 9    | 4304230      | AUXILIARY DRIVE GEAR   |               | 1    |       |                         |
| 10   | 4304130      | REVERSE GEAR-MAINSHAFT |               | 1    |       |                         |
| 11   | 16980        | SNAP RING              |               | 1    |       |                         |

## MISCELLANEOUS

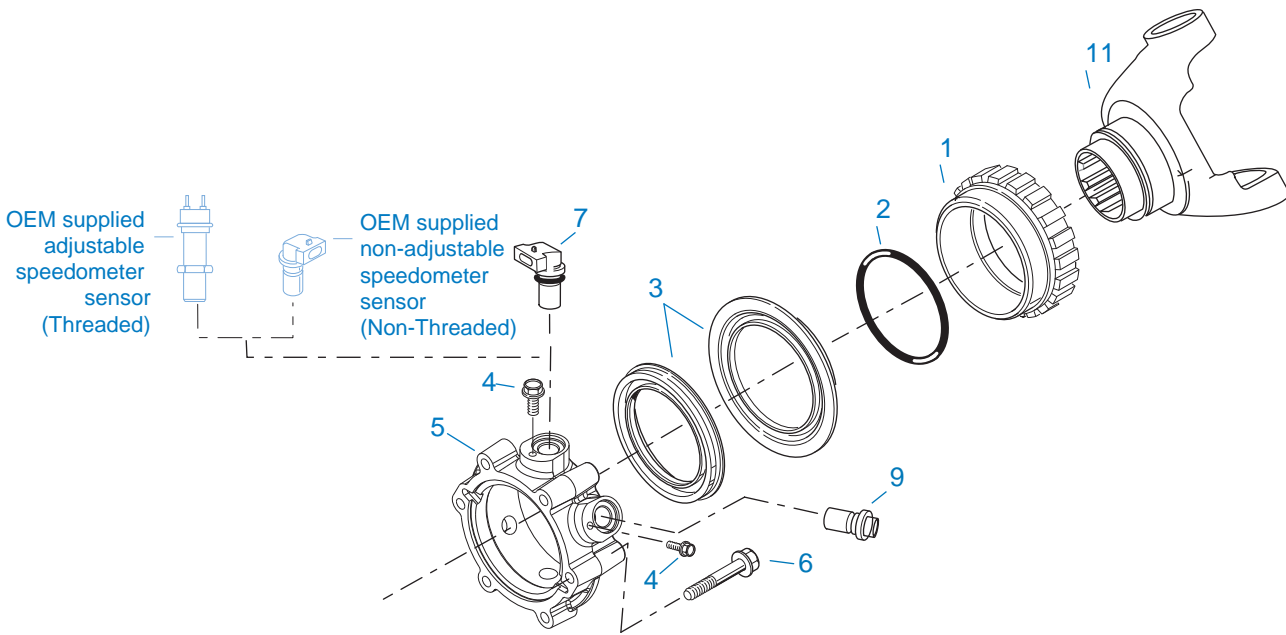
| Item | Current Part | Description         | Replaced Part   | Qty. | Notes                            | Kits/Assys Where Needed                          |
|------|--------------|---------------------|-----------------|------|----------------------------------|--|
|      | 5586270      | SHIFT DIAGRAM LABEL | 5586257         | 1    |                                  |  |
|      | 71203        | SILICONE LUBE       |                 | 1    | 8 OZ (236.59 CC)-FLEET SIZE      |  |
|      | 71204        | ADHESIVE SEALANT    |                 | 1    | 0.5 CC (SINGLE APPLICATION SIZE) |  |
|      | 71205        | SEALANT             |                 | 1    | 2 CC (SINGLE APPLICATION SIZE)   |  |
|      | 71206        | SILICONE LUBE       |                 | 1    | 4 CC (SINGLE APPLICATION SIZE)   | K-2428,K-2978,K-3405,K-3406,K-3407,K-3575,S-2992 |
|      | K-3650       | RTV SERVICE KIT     | 5564515 5564525 | 1    | FLANGE SEALANT                   | K-3617,S-2831,S-2857                             |



## RANGE CYLINDER

| Item | Current Part | Description     | Replaced Part | Qty. | Notes         | Kits/Assys Where Needed |
|------|--------------|-----------------|---------------|------|---------------|-------------------------|
| 1    | X-1-1001M    | NUT             |               | 1    | M10 X 1.5 HEX |                         |
| 2    | 4304111      | PISTON          |               | 1    |               | K-3405,K-3407           |
| 3    | 4304172      | YOKE BAR        |               | 1    |               |                         |
| 4    | 14767        | SNAP RING       |               | 1    |               | K-3405,K-3407           |
| 5    | 4304149      | WASHER          |               | 1    |               |                         |
| 6    | 5568528      | -O- RING        |               | 1    |               | K-3405,K-3406,K-3407    |
| 7    | 4304158      | PIN             |               | 1    |               |                         |
| 8    | A-7102       | RANGE YOKE ASSY | 4304232       | 1    |               |                         |
| 9    | 4304171      | RETAINER        |               | 1    |               | A-7102,A-7103           |
| 10   | 4304188      | STEP WASHER     | 4304166       | 1    |               | A-7102,A-7103           |
| 11   | X-13-210     | SCREW           |               | 1    |               |                         |



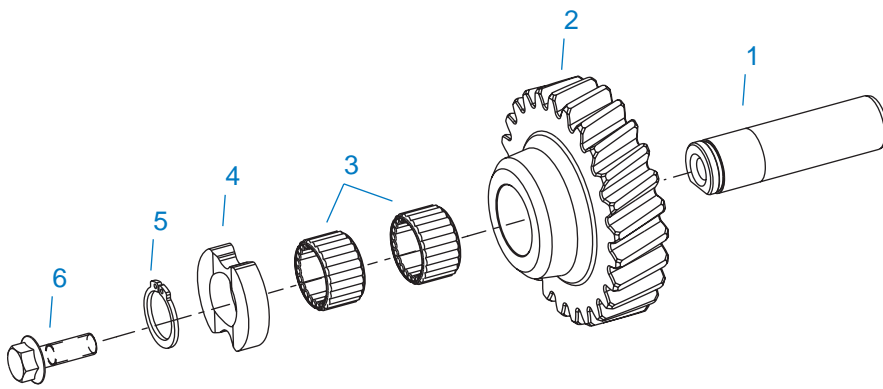


11403-6-99

## REAR BEARING COVER

| Item | Current Part | Description             | Replaced Part      | Qty. | Notes   | Kits/Assys Where Needed |
|------|--------------|-------------------------|--------------------|------|---|-------------------------|
| 1    | S-2501       | SPEEDO ROTOR ASSY       | 4302242            | 1    | MAGNETIC  |                         |
| 2    | 5568511      | -O- RING                |                    | 1    |   | K-3617,S-2501           |
| 3    | K-3617       | OIL SEAL KIT            | 4302322 ,4302323   | 1    |   | K-4130,K-4131           |
| 4    | X-8-0801M    | CAPSCREW                |                    | 3    | M8 X 1.25 X 12MM USE 1 W/S-2831 OR USE 3 W/S-2857                           | K-3914                  |
| 5    | S-2831       | REAR BEARING COVER ASSY | 4304109 ,4304182   | 1    | ONE PUSH-IN SENSOR OPENING (10:00) TWO THREADED SENSOR OPENINGS (4:00/8:00) |                         |
| 5    | S-2857       | REAR BEARING COVER ASSY | 4304215            | 1    | THREE PUSH-IN SENSOR OPENINGS (10:00/4:00/8:00)                             |                         |
| 6    | X-8-1008M    | HEX SCREW               | X 8C 1024M         | 6    | M10 X 80.0MM  |                         |
| 7    | K-3454       | SPEED SENSOR KIT        | A - 6398 ,A - 6724 | 1    | SINGLE PICK-UP (2 PIN)  |                         |
| 7    | K-3455       | SPEED SENSOR KIT, DUAL  | A - 7046 ,A - 7518 | 1    | DUAL PICK-UP (4 PIN)  |                         |
| 9    | 20224        | PLUG-THREADED           |                    | 2    | USE W/S-2831  | S-2831                  |
| 9    | K-3523       | SPEEDO PLUG KIT         | 4302707            | 2    | USE W/S-2857  |                         |
| 11   | 5505543      | YOKE-1710 HALF ROUND    |                    | 1    |   |                         |
| 11   | 5505545      | YOKE-1760 HALF ROUND    |                    | 1    |   |                         |
| 11   | 5505547      | YOKE-1810 HALF ROUND    |                    | 1    |   |                         |
| 11   | 5505553      | YOKE-RPL25 HALF         |                    | 1    |   |                         |

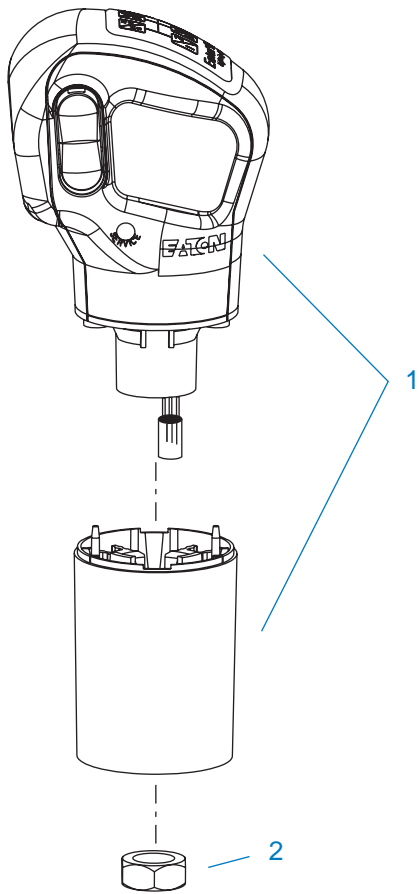
| Item | Current Part | Description            | Replaced Part | Qty. | Notes | Kits/Assys Where Needed |
|------|--------------|------------------------|---------------|------|-------|-------------------------|
|      |              | ROUND                  |               |      |       |                         |
| 11   | 5505571      | YOKE-SPL170 HALF ROUND |               | 1    |       |                         |
| 11   | 5505572      | YOKE-SPL250 HALF ROUND |               | 1    |       |                         |
| 11   | 5505578      | YOKE-92N HALF ROUND    |               | 1    |       |                         |



11384-6-99

## REVERSE IDLER

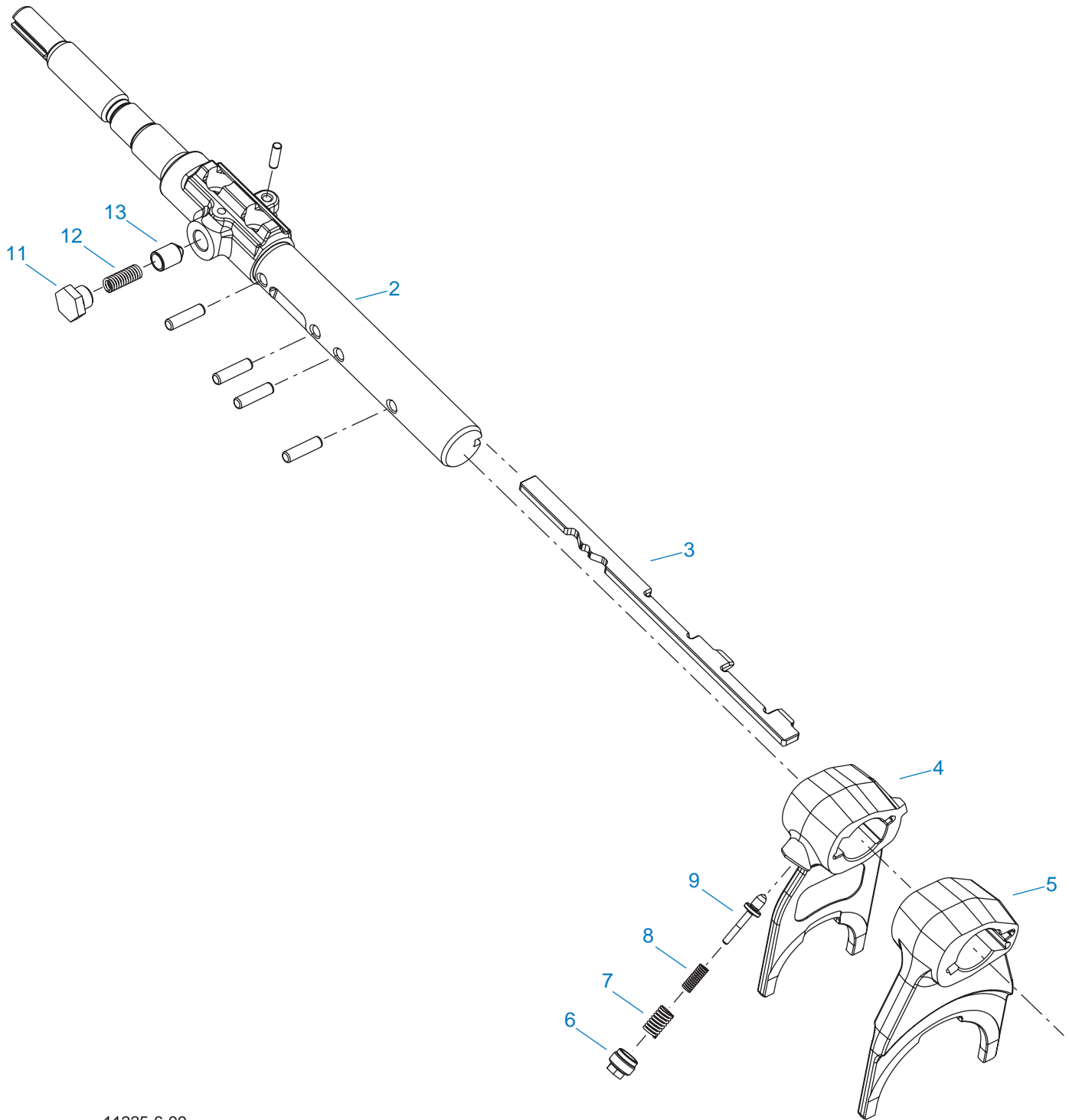
| Item | Current Part | Description         | Replaced Part | Qty. | Notes            | Kits/Assys Where Needed |
|------|--------------|---------------------|---------------|------|------------------|-------------------------|
| 1    | 4304210      | REVERSE IDLER SHAFT |               | 2    |                  |                         |
| 2    | 4304220      | REVERSE IDLER GEAR  |               | 2    |                  |                         |
| 3    | 4304202      | BEARING             |               | 4    |                  | K-4130,K-4131           |
| 4    | 4304106      | WASHER              |               | 2    |                  |                         |
| 5    | 4302080      | SNAP RING           |               | 2    |                  | K-3406,K-3407           |
| 6    | X-8-1004M    | CAPSCREW            |               | 2    | M10 X 1.5 X 30MM |                         |



11099-6-99

## SHIFT KNOB

| Item | Current Part | Description         | Replaced Part                | Qty. | Notes   | Kits/Assys Where Needed |
|------|--------------|---------------------|------------------------------|------|---------|-------------------------|
| 1    | A-7479       | SHIFT KNOB ASSEMBLY | 4304247 ,4305225<br>,4305308 | 1    |         |                         |
| 2    | X-9-802      | NUT                 |                              | 1    | 1/2"-13 |                         |

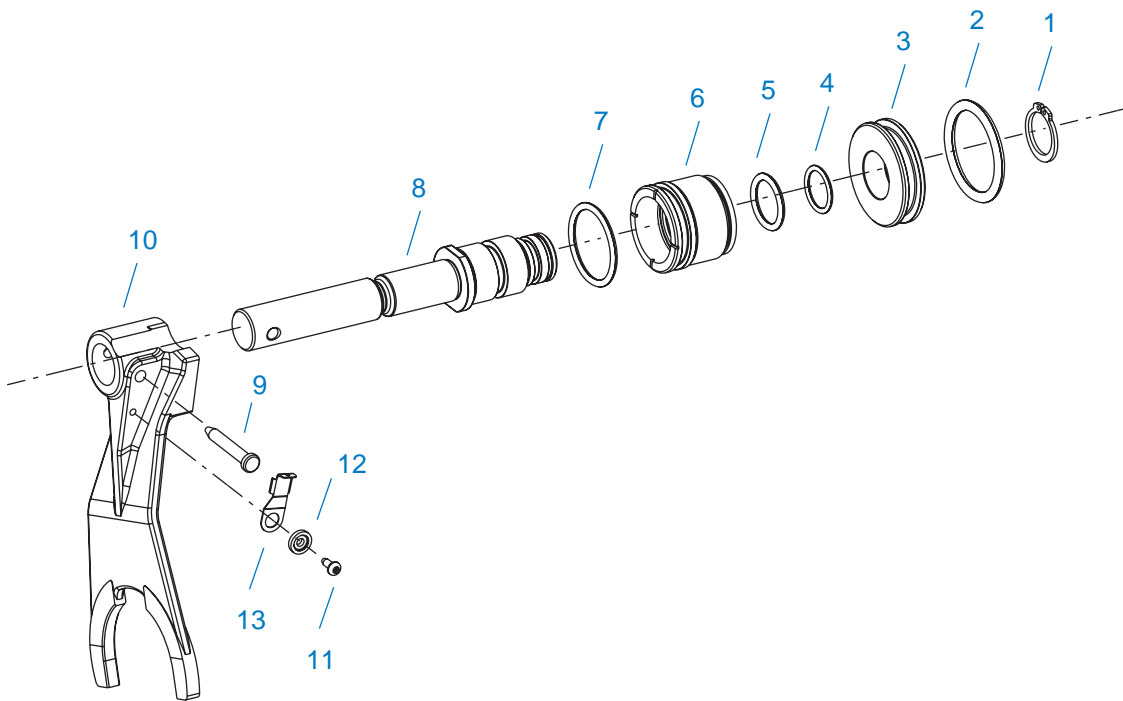


11225-6-99

### SHIFT SHAFT ASSY

| Item | Current Part | Description      | Replaced Part | Qty. | Notes                      | Kits/Assys Where Needed |
|------|--------------|------------------|---------------|------|----------------------------|-------------------------|
| 2    | A-6927       | SHIFT SHAFT ASSY | 4304216       | 1    | ALL REQUIRED PINS INCLUDED |                         |
| 3    | 4304107      | KEY              |               | 1    |                            |                         |

| Item | Current Part | Description        | Replaced Part | Qty. | Notes            | Kits/Assys Where Needed |
|------|--------------|--------------------|---------------|------|------------------|-------------------------|
| 4    | 4305138      | YOKE               |               | 1    | 1ST & REV        |                         |
| 5    | 4304265      | YOKE               |               | 1    | 3RD & DIRECT     |                         |
| 6    | 4305137      | PLUG - HEX HEAD    |               | 1    | M18 X 1.5        |                         |
| 7    | 4304155      | SPRING             |               | 1    |                  | K-3408                  |
| 8    | 4304133      | SPRING             |               | 1    |                  |                         |
| 9    | 4304135      | PLUNGER            |               | 1    |                  | K-3408                  |
| 11   | 4304129      | PLUG               |               | 1    |                  |                         |
| 12   | 4304113      | COMPRESSION SPRING |               | 1    | STANDARD         | K-3408,K-4130,K-4131    |
| 12   | 4304250      | COMPRESSION SPRING |               | 1    | OPTIONAL - HEAVY |                         |
| 13   | 4304138      | PLUNGER            | 4302162       | 1    |                  | K-3408                  |



11466-6-99

## SPLITTER CYLINDER

| Item | Current Part | Description        | Replaced Part | Qty. | Notes | Kits/Assys Where Needed     |
|------|--------------|--------------------|---------------|------|-------|-----------------------------|
| 1    | 4302080      | SNAP RING          |               | 1    |       | K-3406,K-3407               |
| 2    | 5568529      | -O- RING           | 18899         | 1    |       | K-3406,K-3407               |
| 3    | 4304176      | PISTON             |               | 1    |       |                             |
| 4    | 19953        | -O- RING           |               | 1    |       | A-5373,K-1698,K-3406,K-3407 |
| 5    | 5568528      | -O- RING           |               | 1    |       | K-3405,K-3406,K-3407        |
| 6    | 4304194      | PISTON             |               | 1    |       |                             |
| 7    | 22146        | -O- RING           |               | 1    |       | K-3406,K-3407               |
| 8    | 4304204      | YOKE BAR           |               | 1    |       |                             |
| 9    | 4304158      | PIN                |               | 1    |       |                             |
| 10   | A-7103       | SPLITTER YOKE ASSY | 4304229       | 1    |       |                             |
| 11   | X-13-210     | SCREW              |               | 1    |       |                             |
| 12   | 4304188      | STEP WASHER        | 4304166       | 1    |       | A-7102,A-7103               |
| 13   | 4304171      | RETAINER           |               | 1    |       | A-7102,A-7103               |

