



## Eaton Fuller FS-405B Transmission Parts Manual

This is Eaton Fuller FS-405B Transmission parts manual brought to you by Pro Gear and Transmission to assist you identifying the parts for your Eaton / Fuller transmission unit.

If you need any assistance identifying the correct Eaton / Fuller unit for your truck and equipment, contact your Eaton replacement parts specialists at Pro Gear and Transmission.

Pro Gear stocks every part for your Eaton transmission including: Valve Assemblies, Synchronizers, Yoke Assemblies, O-Ring Kits, Drive Gears, Gaskets, Bearing and Seal Kits, and much more.

Pro Gear and Transmission has same day shipping and thousands of products in stock and ready to ship internationally for your next project.

For parts or service contact the Eaton transmission specialists at Pro Gear & Transmission, Inc.

 CALL US

 EMAIL US

 VISIT MODEL PAGE

 VISIT ONLINE STORE



**Roadranger®**

More time on the road®

# Illustrated Parts List

---

**FS-4005B**  
**July 2011**

## Contents

How To Use The Illustrated Parts List .....	3
CASE.....	4
COUNTERSHAFT ASSY .....	6
INPUT SHAFT.....	7
KITS & ASSEMBLIES .....	8
LEVER ASSY .....	9
MAINSHAFT ASSY.....	11
MISCELLANEOUS .....	12
REMOTE CONTROL.....	13
REVERSE IDLER GEAR ASSY .....	14
SHIFT BAR HOUSING .....	15

## How To Use The Illustrated Parts List

The information contained in this document is subject to frequent updates. Therefore, for the latest information available, please visit the interactive Electronic Parts Catalog at [www.roadranger.com/epc](http://www.roadranger.com/epc).

### Model Designation or Nomenclature

- For information regarding Model Designation and Nomenclature, visit [www.roadranger.com](http://www.roadranger.com).

### Kits and Assemblies (K/A's)

- Kits and Assemblies contain groups of individual or assembled parts developed for optimal replacement or repair of a service problem.
- Kits and Assemblies are shown with applicable parts groupings in the parts listings.

### Identifying Kits and Assemblies

A- Part numbers beginning with the letter 'A' are pre-assembled Production Assemblies

K- Part numbers beginning with the letter 'K' are kits that are not assembled

S- Part numbers beginning with the letter 'S' are pre-assembled Service Assemblies

- Note: Some Production Assemblies do not begin with a letter prefix (Midrange only).

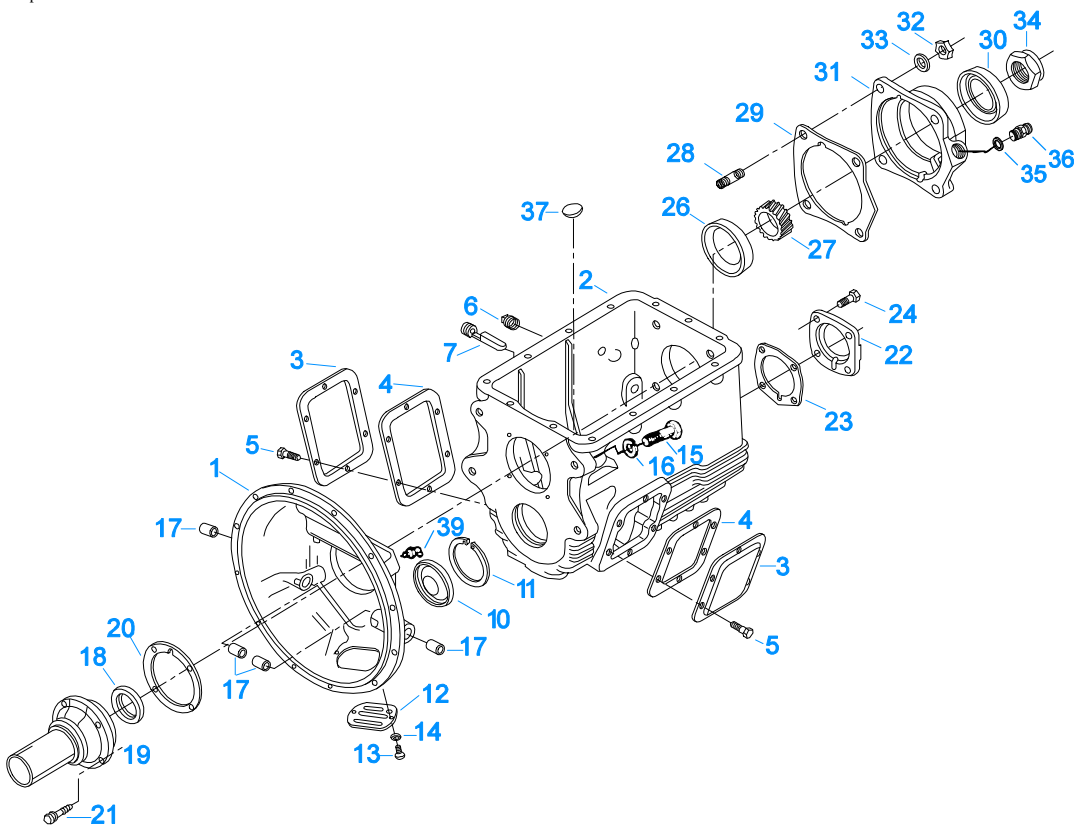
### Illustrations

- Illustrations show parts in assembly groups.
- Item numbers on illustrations correspond with parts listings on pages adjacent to the illustration.
- Notes are included on illustrations where additional information is needed.

### Parts Listing

Parts listings are defined by parts groupings and are broken down by service assemblies. Parts listings identify a part for servicing with the following categories

- **Item Number** - corresponding with numbers on illustrations for part identification.
- **Current Part** - identifies part as it is available for service.
- **Description** - specifies part name or description.
- **Replaced Part** - quantity quantity required for assembly.
- **Quantity** - defines unique characteristics or requirements.
- **Notes** - indicates Kits or Assemblies that contain a particular part.
- **Kits/Assy's Where Used**

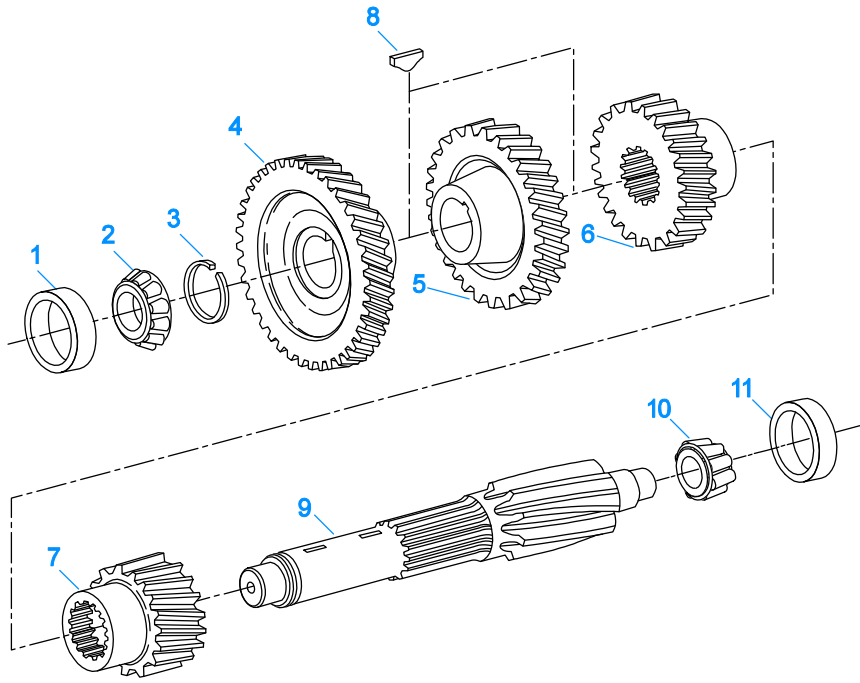


00180-4-93

**CASE**

Item	Current Part	Description	Replaced Part	Qty.	Notes	Kits/Assys Where Needed
1	A-5205	CLUTCH HSG ASSY	21646	1	#2 ALUMINUM, BELOW CENTER LINE PUSH TYPE	
1	A-5629	CLUTCH HSG ASSY	23721 ,229219	1	#3 PUSH-IRON	
1	A-5634	CLUTCH HSG ASSY	23726 ,3316236 ,3316237 ,A - 5632 ,A - 5771	1	#2 ALUMINUM, ABOVE CENTER LINE PULL TYPE	
1	A-5751	CLUTCH HSG ASSY	4300418	1	#2 ALUMINUM, BELOW CENTER LINE PUSH TYPE	
1	A-7513	CLUTCH HSG ASSY	3316239	1	#2 ALUMINUM, PUSH TYPE (FORK)	
2	S-1874	CASE ASSY	4300878 ,A - 5979	1		
2	S-1923	CASE ASSY	4300816 ,4301032 ,4301099	1		
2	S-1924	NO LONGER AVAILABLE	4301033 ,A - 6001	1		
3	201398	PTO COVER		2		
4	201400	GASKET		2		K-2143
5	239613	CAPSCREW		12	3/8"-16X5/8"	
6	X-12-1210	PIPE PLUG	X12 1206	1		
7	X-12-1207	PIPE PLUG	X12 1202 X12 1206	1	3/4" MAGNETIC	
10	239783	PLUG		1		K-2144
11	240040	SNAP RING		1		K-2144
12	23380	COVER	206466	1		A-5205,A-5629,A-5634,A-5751,A-7513
13	1C408	CAPSCREW		2	1/4"-20	
14	X-3-400	LOCKWASHER	4E04	2	1/4"	
15	X-8-903	CAPSCREW	1C936	4	9/16"-12X2-1/4"	
16	4E09	LOCKWASHER		4	9/16"	
17	12815	BUSHING		4		A-5629,A-5634,A-5751
17	8677	BUSHING		2	USE W/A-5205 CLUTCH HSG ASSY	A-5205
18	4300121	OIL SEAL	3315623	1	SHAFT 1.873, WIDTH .375, OD 2.68	K-2129
18	4300204	OIL SEAL	235394	1	SHAFT 1.873, WIDTH .375	
18	4300798	OIL SEAL	235393	1	SHAFT 1.625, WIDTH .375	K-2120
19	22129	NO LONGER AVAILABLE		1	USE 4300798 OIL SEAL	

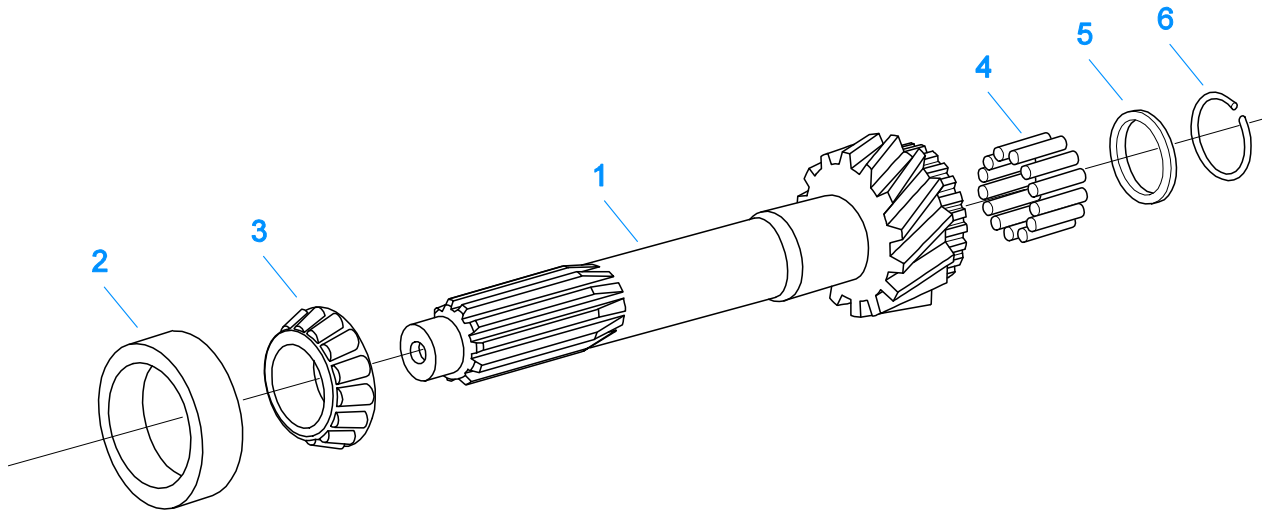
Item	Current Part	Description	Replaced Part	Qty.	Notes	Kits/Assys Where Needed
19	23147	FRONT BRG COVER-PULL	3315538	1	USE 4300121 OIL SEAL	
19	237743	FRONT BRG COVER-PUSH		1	USE 4300798 OIL SEAL	
19	238104	NO LONGER AVAILABLE		1	USE 4300798 OIL SEAL	
19	238870	FRONT BRG COVER-PUSH		1	USE 4300798 OIL SEAL	
19	239821	FRONT BRG COVER-PUSH		1	USE 4300798 OIL SEAL	
19	4300354	FRONT BRG COVER-PUSH		1	USE 4300204 OR 4300798 OIL SEAL	
19	4300355	FRONT BRG COVER-PUSH		1	USE 4300204 OIL SEAL	
19	4300882	FRONT BRG COVER-PUSH	237335	1	USE 4300798 OIL SEAL	
20	240321	GASKET		1		K-2143
21	239614	SCREW		4	5/16-18X.81	
22	4300261	C/S REAR BRG COVER		1		
23	240017	SHIM .004		1	QUANTITY AS REQUIRED	K-2116
23	240018	SHIM .007		1	QUANTITY AS REQUIRED	K-2116
23	240019	SHIM .010		1	QUANTITY AS REQUIRED	K-2116
23	240020	SHIM .020		1	QUANTITY AS REQUIRED	K-2116
23	4300980	SHIM .040		1		K-2116
24	X-8-688	CAPSCREW		4	3/8"-16X1"	
26	K-3919	BEARING KIT	654166, 654137	1		
27	21555	SPEEDO ROTOR		1		
27	3314356	SPEEDO DRIVE GEAR		1	5 TEETH	
27	3314448	SPEEDO DRIVE GEAR		1	6 TEETH	
27	86301	SPEEDO DRIVE GEAR		1	5 TEETH	
28	239433	STUD		4	1/2"-20X2-5/16"	S-1874,S-1924
29	240329	SHIM .004		1	QUANTITY AS REQUIRED	K-2116
29	240330	SHIM .007		1	QUANTITY AS REQUIRED	K-2116
29	240331	SHIM .010		1	QUANTITY AS REQUIRED	K-2116
29	240332	SHIM .020		1	QUANTITY AS REQUIRED	K-2116
29	4300981	SHIM .040		1		K-2116
30	208385	OIL SEAL		1		
30	4300203	OIL SEAL	229985 237983	1	SHAFT 2.503, WIDTH .5	K-2120,K-2129
31	4300846	REAR BRG COVER	241101	1	USE 4300203 OIL SEAL	
31	4300849	NO LONGER AVAILABLE	241615	1	USE 4300203 OIL SEAL	
31	4300877	REAR BRG COVER	241099	1	USE 4300203 OIL SEAL	
31	4300970	REAR BRG COVER	3315498	1	USE 208385 OIL SEAL	
31	4300972	REAR BRG COVER	241102	1	USE 4300203 OIL SEAL	
31	4301053	REAR BRG COVER	241100	1	USE 4300203 OIL SEAL	
31	4301985	NO LONGER AVAILABLE	23246	1	USE 4300203 OIL SEAL NOTE: SENSOR SEAL REQUIRED	
31	K-7038	REAR BRG COVER KIT	4302614	1	USE 4300203 OIL SEAL NOTE: PUSH- IN TYPE SPEEDO SENSOR	
31	K-7039	REAR BRG COVER KIT	4302615	1	USE 4300203 OIL SEAL NOTE: PUSH- IN TYPE SPEEDO SENSOR	
31	S-7030	REAR BRG COVER ASSY	4300845 ,4302037	1	USE 4300203 OIL SEAL NOTE: SENSOR SEAL REQUIRED	
31	S-7031	REAR BRG COVER ASSY	4301677 ,4302039	1	USE 4300203 OIL SEAL NOTE: SENSOR SEAL REQUIRED	
32	86D8	NUT	86D08	4	1/2"-20	
33	239436	WASHER		4	1/2"	
34	21937	NUT	216053 ,235656 ,238026	1	1-1/4"-18	
35	4301954	SENSOR SEAL		1		S-7030,S-7031
36	86016	SLEEVE		1		
37	14373	MAGNET		1		S-1923,S-1924
39	4300301	FITTING-45 DEGREE	11H15	2		
39	4872	FITTING-90 DEGREE	12H15	2		



00300-4/93 CS 42

### COUNTERSHAFT ASSY

Item	Current Part	Description	Replaced Part	Qty.	Notes	Kits/Assys Where Needed
1	672070	BEARING CUP		1		K-2120,K-2129
2	675246	BEARING CONE		1		K-2120,K-2129
3	240767	SNAP RING		1		K-2144
4	241013	DRIVE GEAR-CNTRSHFT		1		
5	4301717	4TH GEAR-CNTRSHFT	22080	1		
6	241016	3RD GEAR-CNTRSHFT		1		
7	241017	2ND GEAR-CNTRSHFT		1		
8	230292	KEY		2		K-2144
9	241018	COUNTERSHAFT		1		
10	666554	BEARING CONE		1		K-2120,K-2129
11	730362	BEARING CUP		1		K-2120,K-2129



00400-4/93 IS 42

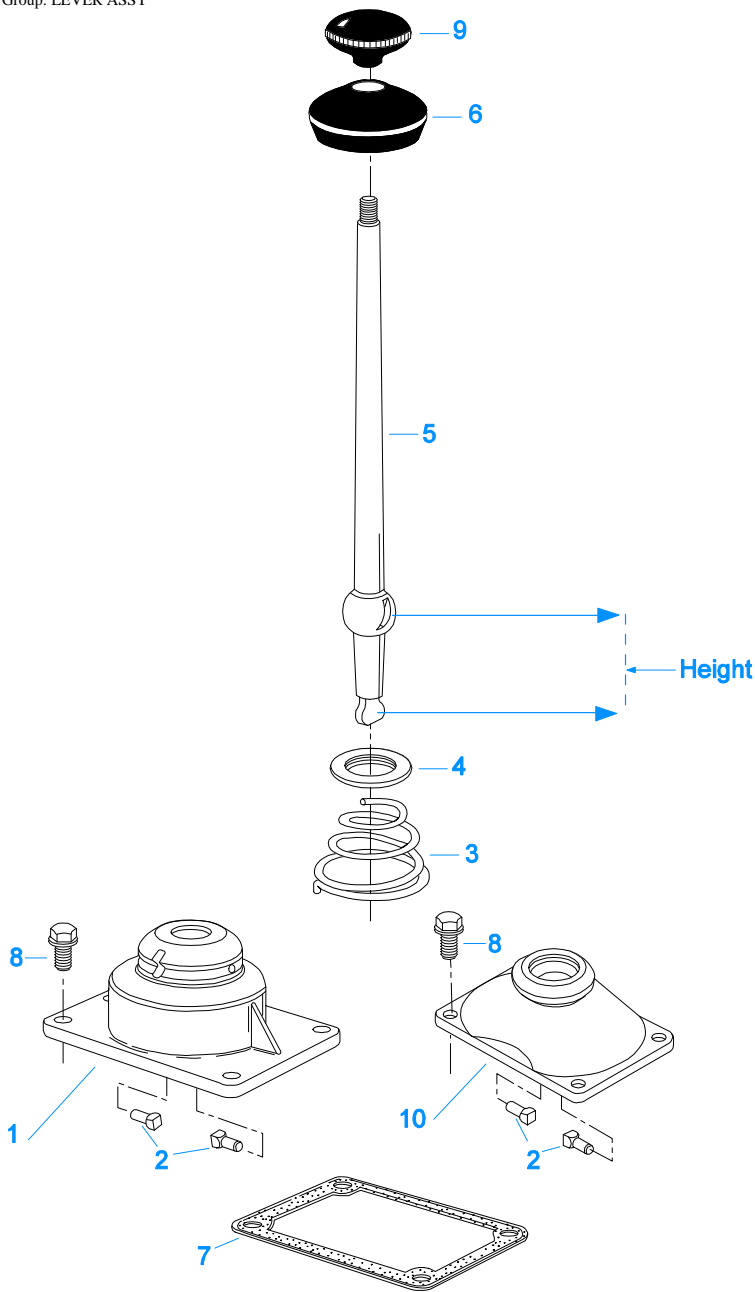
## INPUT SHAFT

Item	Current Part	Description	Replaced Part	Qty.	Notes	Kits/Assys Where Needed
1	23145	INPUT SHAFT-1.50" PUSH/PULL		1	USE 23147 FRONT BRG COVER	
1	239807	INPUT SHAFT-1.50" PUSH		1	USE 4300882 FRONT BRG COVER	
1	239808	INPUT SHAFT-1.50" PUSH		1	USE 239821 OR 4300882 FRONT BRG COVER	
1	239809	INPUT SHAFT-1.50" PUSH		1	USE 238104 FRONT BRG COVER	
1	239812	NO LONGER AVAILABLE		1	USE 22129 OR 238870 FRONT BRG COVER	
1	240489	INPUT SHAFT-1.75" PUSH/PULL		1	USE 23147 FRONT BRG COVER	
1	3315536	INPUT SHAFT-1.75" PUSH/PULL		1	USE 23147 OR 3315538 FRONT BRG COVER	
1	4300883	INPUT SHAFT-1.50" PUSH		1	USE 4300882 FRONT BRG COVER	
1	4300884	INPUT SHAFT-1.50" PUSH		1	USE 4300882 FRONT BRG COVER	
2	1314774	BEARING CUP		1	1.375" & 1.50" INPUT	K-2120
2	235417	BEARING CUP		1	1.75" INPUT	K-2129
3	1314773	BEARING CONE		1	1.375" & 1.50" INPUT	K-2120
3	235418	BEARING CONE		1	1.75" INPUT	K-2129
4	235414	BEARING		14		K-2120,K-2129
5	235415	WASHER		1		K-2144
6	235416	SNAP RING		1		K-2144



## KITS & ASSEMBLIES

Item	Current Part	Description	Replaced Part	Qty.	Notes	Kits/Assys Where Needed
K-2113		SYNCHRONIZER KIT		1		
K-2114		SYNCHRONIZER KIT		1		
K-2116		SHIM KIT		1		
K-2120		BASIC REBUILD KIT		1	FOR UNITS W/1.375" OR 1.50" INPUT SHAFT	
K-2129		BASIC REBUILD KIT		1	FOR UNITS W/1.75" INPUT SHAFT	
K-2143		GASKET KIT		1		K-2120,K-2129
K-2144		SMALL PARTS KIT		1		
K-3919		BEARING KIT	654166, 654137	1		
K-7038		REAR BRG COVER KIT	4302614	1		
K-7039		REAR BRG COVER KIT	4302615	1		
K-7061		SHIFT LEVER HSG KIT	241075 ,4302711 ,A - 6439	1	ALUMINUM HOUSING MEDIUM - LEVER HEIGHT 3-1/8"	
K-7062		SHIFT LEVER HSG KIT	233080 ,4302711 ,A - 6440	1	ALUMINUM HOUSING HIGH - LEVER HEIGHT 3-1/2"	
S-1578		SHIFT LEVER ASSY-HIGH		1	COMPLETE ASSY - ALUMINUM HOUSING HIGH - LEVER HEIGHT 3-1/2" 27-1/2" STRAIGHT LEVER - "BEND TO SUIT" 3/8" X 24 THREAD	
S-1642		SHIFT LEVER ASSY-MEDIUM		1		
S-1874		CASE ASSY	4300878 ,A - 5979	1		
S-1923		CASE ASSY	4300816 ,4301032 ,4301099	1		
S-1924		NO LONGER AVAILABLE	4301033 ,A - 6001	1		
S-7021		SHIFT BAR HSG ASSY	239834 ,240153 ,4302944	1	COMPLETE REVERSE SWITCH POSITION - RIGHT FRONT	
S-7030		REAR BRG COVER ASSY	4300845 ,4302037	1		
S-7031		REAR BRG COVER ASSY	4301677 ,4302039	1		

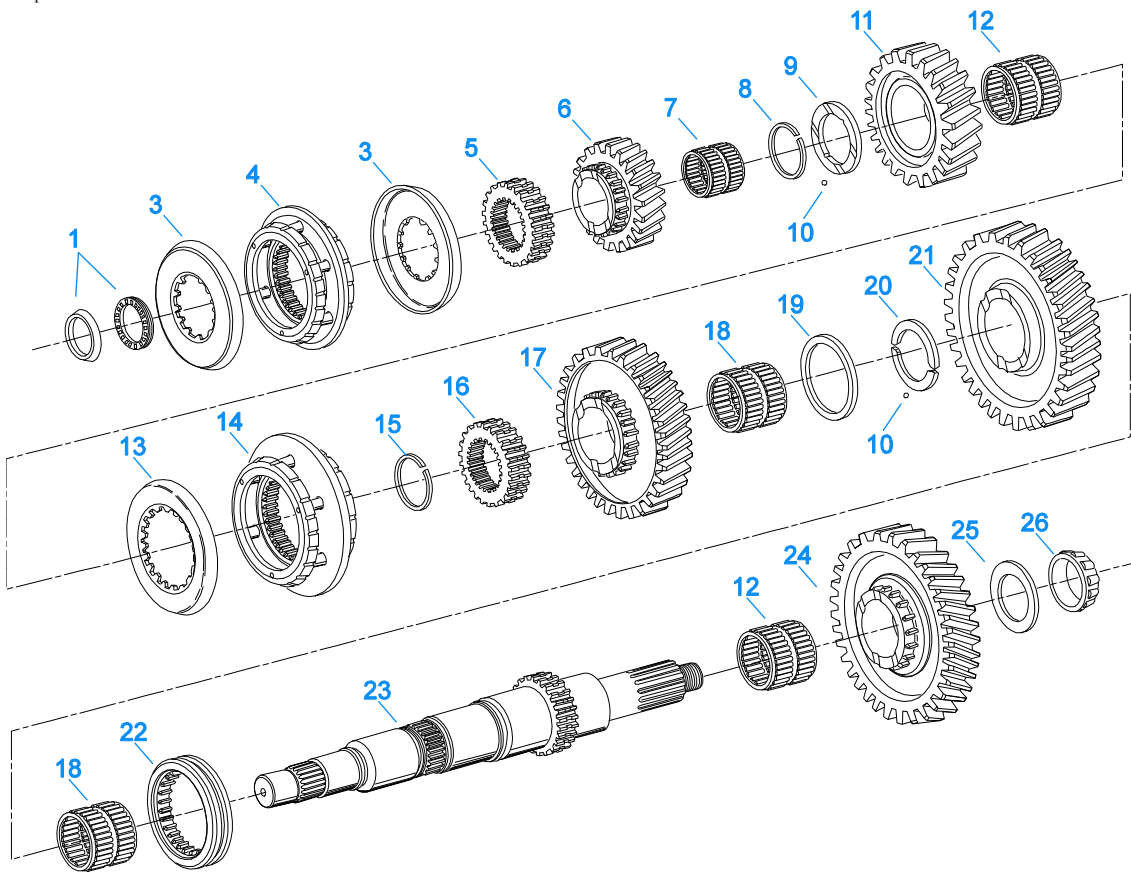


00170-4/93 LA

## LEVER ASSY

Item	Current Part	Description	Replaced Part	Qty.	Notes	Kits/Assys Where Needed
1	K-7062	SHIFT LEVER HSG KIT	233080 ,4302711 ,A - 6440	1	ALUMINUM HOUSING HIGH - LEVER HEIGHT 3-1/2"	
2	201054	PIN		2	FOR HSGS WITHOUT PIN SLEEVES	
2	23180	PIN		2	FOR HSGS WITH PIN SLEEVES	K-7061,K-7062,S-1578,S-1642
3	4300690	SPRING	229337	1		S-1578,S-1642
4	23181	WASHER		1		S-1578,S-1642
5	21722	SHIFT LEVER 27-1/2"		1	USE WITH K-7062 STRAIGHT LEVER - "BEND TO SUIT"	S-1578
5	241076	SHIFT LEVER 27-1/2"		1	USE WITH K-7061 STRAIGHT LEVER - "BEND TO SUIT"	S-1642
6	202484	DUST COVER		1		S-1578,S-1642
7	4301958	GASKET		1		K-2143,K-7061,K-7062,S-1578

Item	Current Part	Description	Replaced Part	Qty.	Notes	Kits/Assys Where Needed
8	X-8C-604	CAPSCREW		4	3/8"-16X1-1/4"	
9	201401	SHIFT KNOB		1	3/8"X24 THREAD	S-1578
10	K-7061	SHIFT LEVER HSG KIT	241075 ,4302711 ,A - 6439	1	ALUMINUM HOUSING MEDIUM - LEVER HEIGHT 3-1/8"	



00200A-6-94 MS 40

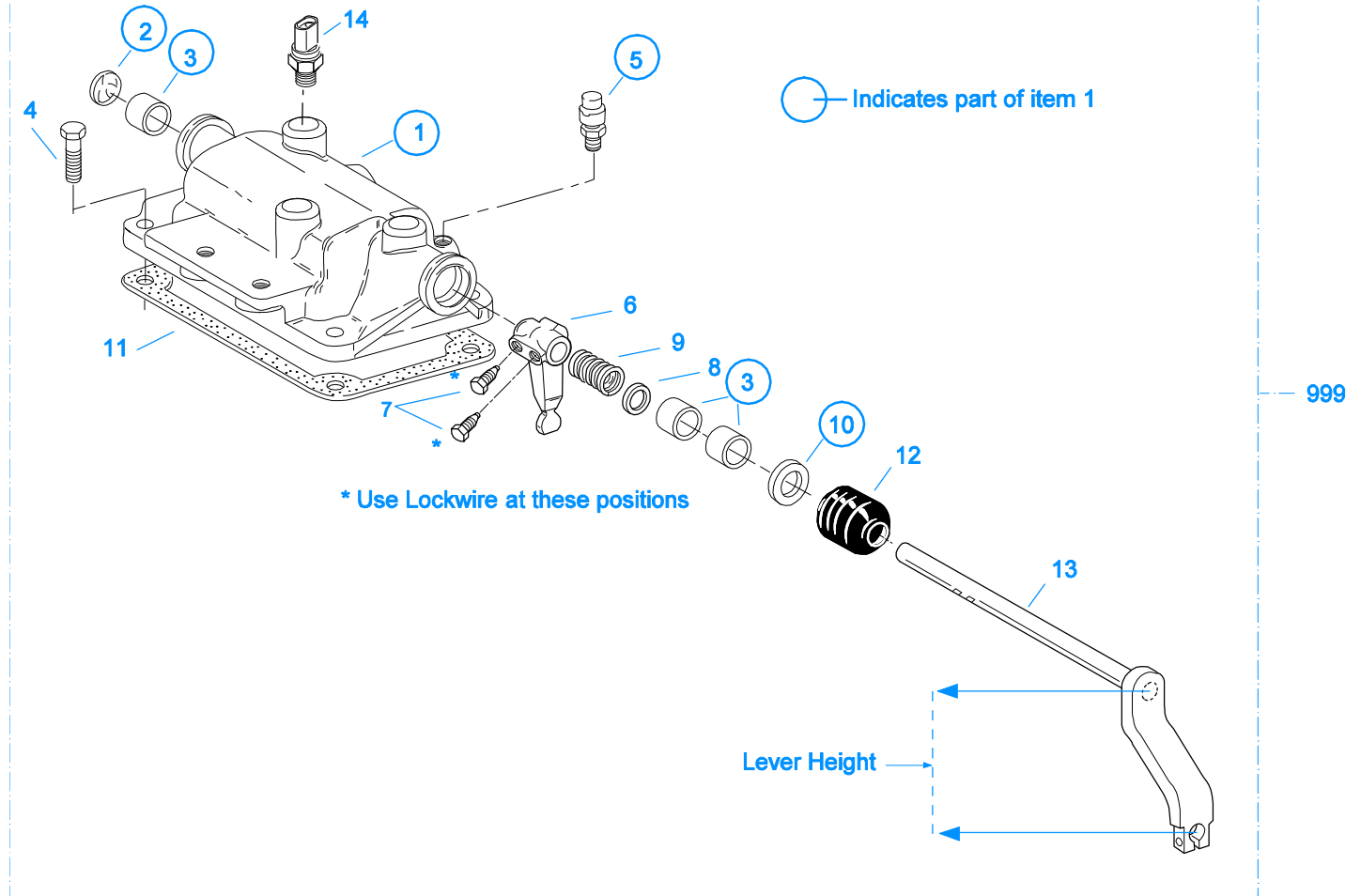
## MAINSHAFT ASSY

Item	Current Part	Description	Replaced Part	Qty.	Notes	Kits/Assys Where Needed
1	K-3704	BEARING & RACE KIT	235382 ,235383	1		
3	228296	SYNCHRONIZER CUP		2		K-2113
4	A-5401	SYNCHRONIZER ASSY 4/5		1		K-2113
5	23694	CLUTCH HUB 4/5	21635	1		
6	22079	4TH GEAR-MAINSHAFT		1		
7	239651	BEARING		1		K-2120,K-2129
8	224069	SNAP RING		1		
9	23127	WASHER		1		K-2144
10	10J06	STEEL BALL		2	3/16"	K-2144
11	21546	3RD GEAR-MAINSHAFT		1		
12	239818	BEARING		2		K-2120,K-2129
13	228306	SYNCHRONIZER CUP		1		K-2114
14	A-5693	SYNCHRONIZER ASSY 2/3	A - 5254 A - 5543	1		K-2114
15	240037	SNAP RING		1		K-2144
16	21547	CLUTCH HUB 2/3		1		
17	21545	2ND GEAR-MAINSHAFT		1		
18	239653	BEARING		2		K-2120,K-2129
19	235379	RETAINER		1		K-2144
20	235378	SPLIT WASHER		2		K-2144
21	239787	1ST GEAR-MAINSHAFT		1		
22	239832	SLIDING CLUTCH		1		
23	23695	MAINSHAFT		1		
24	239789	REVERSE GEAR-MAINSHAFT		1		
25	240026	WASHER		1		K-2144
26	K-3919	BEARING KIT	654166, 654137	1		

## MISCELLANEOUS

Item	Current Part	Description	Replaced Part	Qty.	Notes	Kits/Assys Where Needed
71203		SILICONE LUBE		1	8 OZ (236.59 CC)-FLEET SIZE	
71204		ADHESIVE SEALANT		1	0.5 CC (SINGLE APPLICATION SIZE)	
71205		SEALANT		1	2 CC (SINGLE APPLICATION SIZE)	
71206		SILICONE LUBE		1	4 CC (SINGLE APPLICATION SIZE)	
71231		GASKET SEALANT		1	8 MILLILITER SIZE	K-2116
71232		THREAD ADHESIVE		1	10 MILLILITER SIZE	K-2120,K-2129

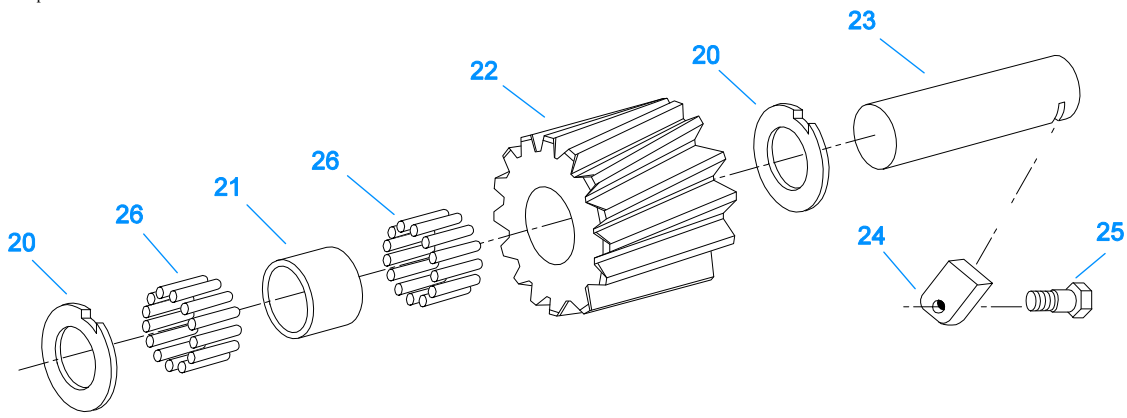
Group: REMOTE CONTROL



00151-2-94 RCH

## REMOTE CONTROL

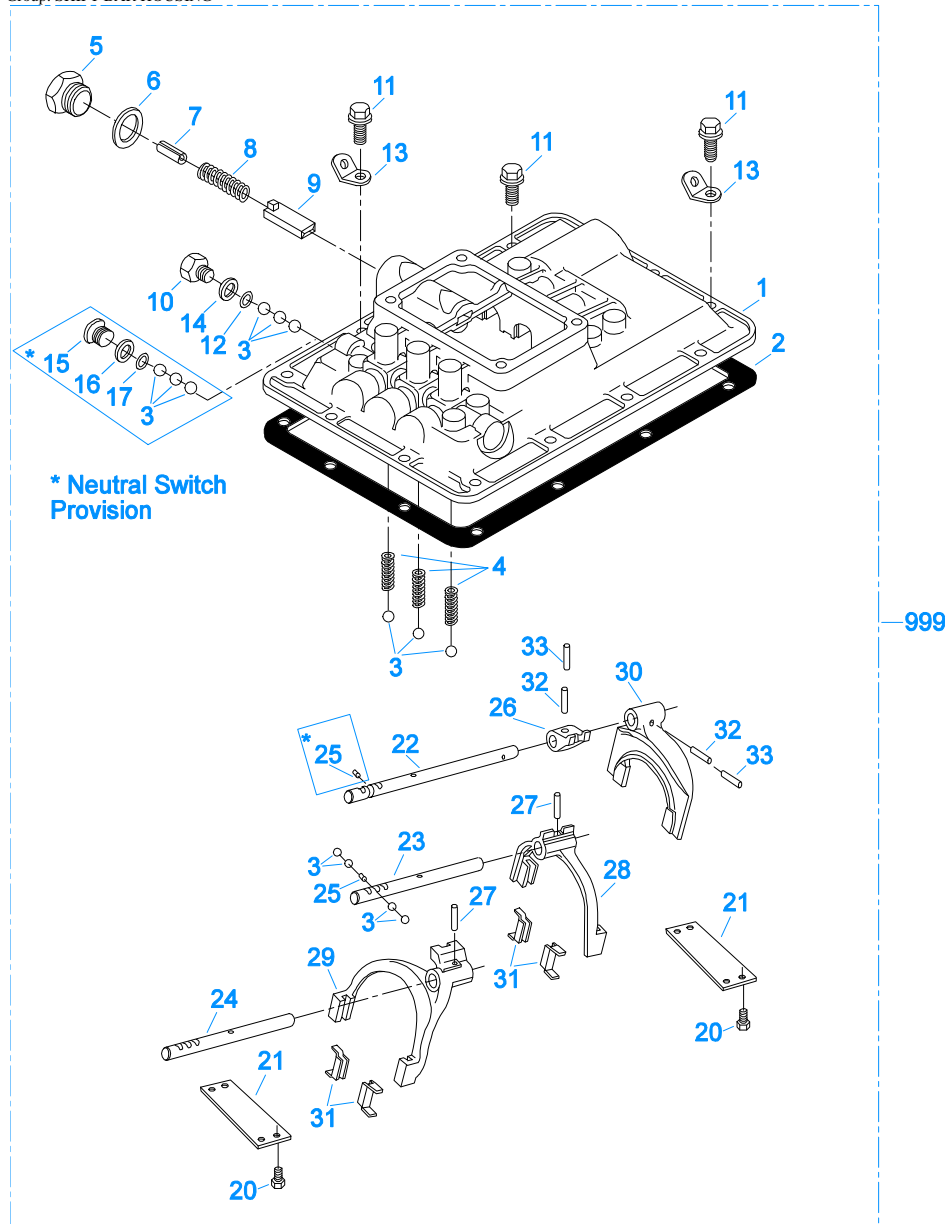
Item	Current Part	Description	Replaced Part	Qty.	Notes	Kits/Assys Where Needed
1	3316284	CONTROL HOUSING ASSY	3316285	1		
1	A-5825	CONTROL HOUSING ASSY	3316285	1	THREE DRILLED AND TAPPED BOSS HOLES	A-6028
2	12F100	PLUG 1"		1		A-5825
3	3312252	BUSHING		3		
4	X-8C-604	CAPSCREW		4	3/8"-16X1-1/4"	
5	3315948	BREATHER		1	USE WITH 3316284 HOUSING ASSY	
5	4300217	BREATHER		1		A-5825
6	3316290	SHIFT FINGER		1		A-6028
7	3315272	SCREW		2		A-6028
8	3312745	WASHER		1		
9	3315837	SPRING		1		
10	3312225	OIL SEAL		1		A-5825
11	4301958	GASKET		1		K-2143,K-7061,K-7062,S-1578
12	3314302	BOOT		1		A-6028
13	3316288	NO LONGER AVAILABLE		1	LEVER HEIGHT 5-1/8"	
13	A-5312	SHAFT & LEVER ASSY		1	LEVER HEIGHT 85MM (3.35")	
13	A-5473	SHAFT & LEVER ASSY		1	LEVER HEIGHT 3-3/4"	A-6028
999	A-5497	NO LONGER AVAILABLE		1	LEVER HEIGHT 5-1/8"	
999	A-6028	M/R SLAVE CONTROL ASSY		1	LEVER HEIGHT 3-3/4"	



00450-4/93 RI 42

### REVERSE IDLER GEAR ASSY

Item	Current Part	Description	Replaced Part	Qty.	Notes	Kits/Assys Where Needed
20	240023	WASHER		2		K-2144
21	240024	SPACER		1		K-2144
22	4301592	IDLER GEAR	239799	1		
23	240022	IDLER SHAFT		1		
24	201929	SHAFT LOCK		1		
25	X-8C-600	CAPSCREW	239611	1	3/8"-16X1"	
26	235376	BEARING		52		K-2120,K-2129



00100A-4-94 SBH 42

## SHIFT BAR HOUSING

Item	Current Part	Description	Replaced Part	Qty.	Notes	Kits/Assys Where Needed
1	A-6534	SHIFT BAR HSG ASSY	239834 ,4302944	1	HOUSING ONLY REVERSE SWITCH POSITION - RIGHT FRONT	
1	A-6538	SHIFT BAR HSG ASSY	4300336 ,4302956	1	HOUSING ONLY - W/NEUTRAL SWITCH PROVISION REVERSE SWITCH POSITION - RIGHT REAR	
2	240038	GASKET		1		K-2143,S-7021
3	10J14	STEEL BALL		13	7/16" - W/NEUTRAL SWITCH PROVISION	
3	10J14	STEEL BALL		10	7/16" - REVERSE SWITCH	
4	4303939	SPRING	201045	3		
5	235621	PLUG 1"		1		
6	235622	GASKET		1		K-2143
7	240496	SPACER		1		
8	233794	SPRING		1		
9	23576	PLUNGER		1		
10	235052	CA PLUG		1	9/16 - 18	



Item	Current Part	Description	Replaced Part	Qty.	Notes	Kits/Assys Where Needed
10	4303656	PLUG	15917	1	9/16 - 18, THREADED	
11	X-8C-600	CAPSCREW	239611	13	3/8"-16X1"	
12	4301719	BALL RETAINER- REVERSE		1		S-7021
13	238370	LIFTING EYE		2		
14	15900	GASKET		1		K-2143,S-7021
15	4303655	PLUG	17178	1		
16	17179	GASKET		1		
17	4301718	BALL RETAINER- NEUTRAL		1		
20	233043	CAPSCREW		4	3/8"-16X1" - USE W/4301277 RETAINER	
20	233043	CAPSCREW		8	3/8"-16X1" - USE W/235608 RETAINER	
21	235608	RETAINER		2	4 HOLE RETAINER	
21	4301277	SHIFT BAR RETAINER		2	2 HOLE RETAINER	
22	4300337	NO LONGER AVAILABLE		1	USE W/4300336, 4302956 OR A-6538 HOUSING	
22	4300400	YOKE BAR 1ST/REV		1	USE W/239834, 4302944 OR A-6534 HOUSING	
23	21548	YOKE BAR 2ND/3RD		1		
24	4300429	YOKE BAR 4TH/5TH	21637	1		
25	201044	PIN		1	REVERSE SWITCH	
25	201044	PIN		2	W/NEUTRAL SWITCH PROVISION	
26	4300402	SHIFT BLOCK 1ST/REV		1		
27	14J1818	PIN		2		
28	240322	YOKE ASSY 2ND/3RD	240323	1	INCLUDES (2) 227675	
29	240324	YOKE ASSY 4TH/5TH	240325	1	INCLUDES (2) 227675	
30	4300401	SHIFT YOKE 1ST/REV		1		
31	227675	INSERT - YOKE PAD		4		K-2144
32	1JM6028	PIN		2		
33	1JM3528	PIN		2		
999	S-7021	SHIFT BAR HSG ASSY	239834 ,240153 ,4302944	1	COMPLETE REVERSE SWITCH POSITION - RIGHT FRONT	
999	S-7022	NO LONGER AVAILABLE	4300336 ,4302956	1	COMPLETE - W/NEUTRAL SWITCH PROVISION REVERSE SWITCH POISTION - RIGHT REAR	

