



Eaton Fuller FS-4205C Transmission Parts Manual

This is Eaton Fuller FS-4205C Transmission parts manual brought to you by Pro Gear and Transmission to assist you identifying the parts for your Eaton / Fuller transmission unit.

If you need any assistance identifying the correct Eaton / Fuller unit for your truck and equipment, contact your Eaton replacement parts specialists at Pro Gear and Transmission.

Pro Gear stocks every part for your Eaton transmission including: Valve Assemblies, Synchronizers, Yoke Assemblies, O-Ring Kits, Drive Gears, Gaskets, Bearing and Seal Kits, and much more.

Pro Gear and Transmission has same day shipping and thousands of products in stock and ready to ship internationally for your next project.

For parts or service contact the Eaton transmission specialists at Pro Gear & Transmission, Inc.

 CALL US

 EMAIL US

 VISIT MODEL PAGE

 VISIT ONLINE STORE



Roadranger®

More time on the road®

Illustrated Parts List

FS-4205C
July 2011

Contents

| | |
|---|----|
| How To Use The Illustrated Parts List | 3 |
| CASE..... | 4 |
| COUNTERSHAFT ASSY | 6 |
| INPUT SHAFT..... | 7 |
| KITS & ASSEMBLIES | 8 |
| LEVER ASSY | 9 |
| MAINSHAFT ASSY..... | 11 |
| MISCELLANEOUS | 12 |
| REMOTE CONTROL..... | 13 |
| REVERSE IDLER GEAR ASSY | 14 |
| SHIFT BAR HOUSING | 15 |

How To Use The Illustrated Parts List

The information contained in this document is subject to frequent updates. Therefore, for the latest information available, please visit the interactive Electronic Parts Catalog at www.roadranger.com/epc.

Model Designation or Nomenclature

- For information regarding Model Designation and Nomenclature, visit www.roadranger.com.

Kits and Assemblies (K/A's)

- Kits and Assemblies contain groups of individual or assembled parts developed for optimal replacement or repair of a service problem.
- Kits and Assemblies are shown with applicable parts groupings in the parts listings.

Identifying Kits and Assemblies

A- Part numbers beginning with the letter 'A' are pre-assembled Production Assemblies

K- Part numbers beginning with the letter 'K' are kits that are not assembled

S- Part numbers beginning with the letter 'S' are pre-assembled Service Assemblies

- Note: Some Production Assemblies do not begin with a letter prefix (Midrange only).

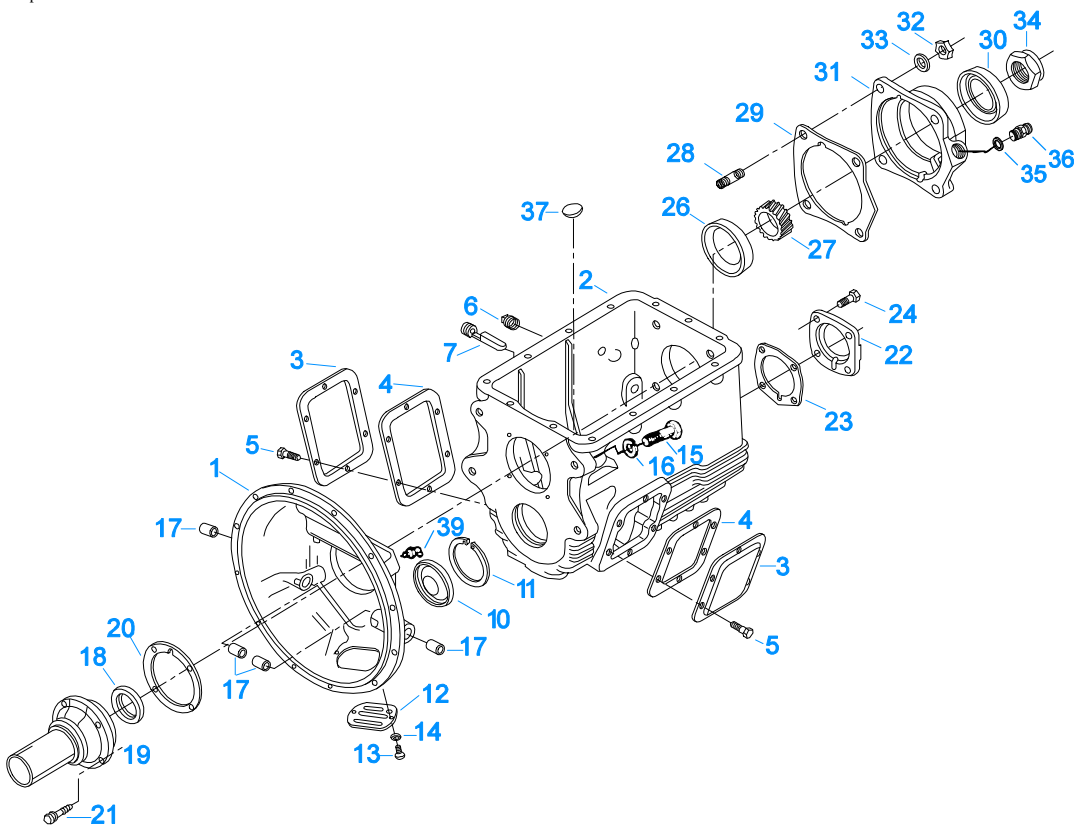
Illustrations

- Illustrations show parts in assembly groups.
- Item numbers on illustrations correspond with parts listings on pages adjacent to the illustration.
- Notes are included on illustrations where additional information is needed.

Parts Listing

Parts listings are defined by parts groupings and are broken down by service assemblies. Parts listings identify a part for servicing with the following categories

- **Item Number** - corresponding with numbers on illustrations for part identification.
- **Current Part** - identifies part as it is available for service.
- **Description** - specifies part name or description.
- **Replaced Part** - quantity quantity required for assembly.
- **Quantity** - defines unique characteristics or requirements.
- **Notes** - indicates Kits or Assemblies that contain a particular part.
- **Kits/Assy's Where Used**

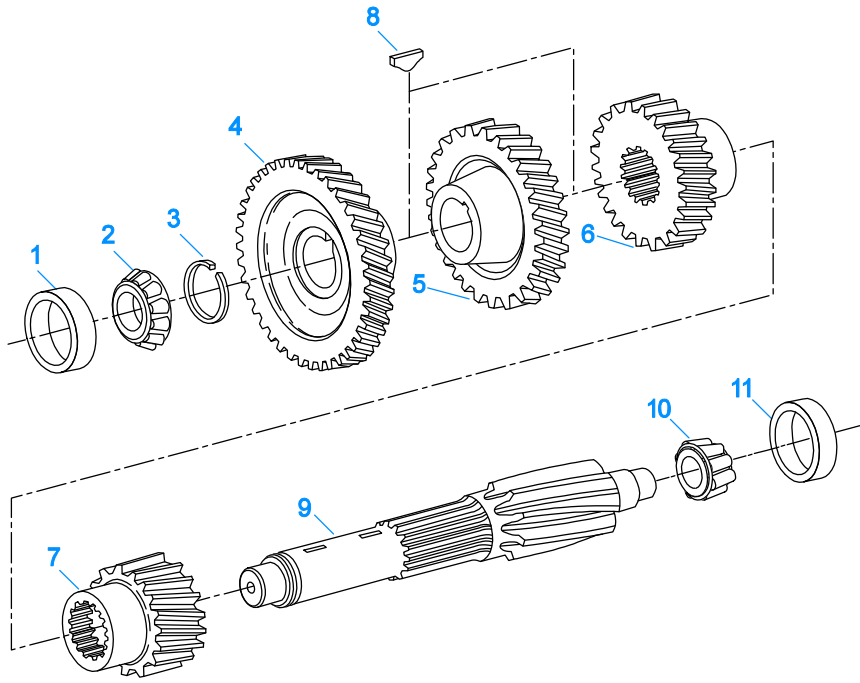


00180-4-93

CASE

| Item | Current Part | Description | Replaced Part | Qty. | Notes | Kits/Assys Where Needed |
|------|--------------|----------------------|---|------|--|------------------------------------|
| 1 | A-5205 | CLUTCH HSG ASSY | 21646 | 1 | #2 ALUMINUM, BELOW CENTER LINE PUSH TYPE | |
| 1 | A-5629 | CLUTCH HSG ASSY | 23721 ,229219 | 1 | #3 PUSH-IRON | |
| 1 | A-5634 | CLUTCH HSG ASSY | 23726 ,3316236 ,3316237 ,A - 5632 ,A - 5771 | 1 | #2 ALUMINUM, ABOVE CENTER LINE PULL TYPE | |
| 1 | A-5751 | CLUTCH HSG ASSY | 4300418 | 1 | #2 ALUMINUM, BELOW CENTER LINE PUSH TYPE | |
| 1 | A-7513 | CLUTCH HSG ASSY | 3316239 | 1 | #2 ALUMINUM, PUSH TYPE (FORK) | |
| 2 | S-1874 | CASE ASSY | 4300878 | 1 | | |
| 2 | S-1923 | CASE ASSY | 4300816 ,4301032 ,4301099 | 1 | | |
| 2 | S-1924 | NO LONGER AVAILABLE | 4301033 | 1 | | |
| 3 | 201398 | PTO COVER | | 2 | | |
| 4 | 201400 | GASKET | | 2 | | K-2143 |
| 5 | 239613 | CAPSCREW | | 12 | 3/8"-16X5/8" | |
| 6 | X-12-1210 | PIPE PLUG | X12 1206 | 1 | | |
| 7 | X-12-1207 | PIPE PLUG | X12 1202 X12 1206 | 1 | 3/4" MAGNETIC | |
| 10 | 239783 | PLUG | | 1 | | K-2144,K-7000,K-7013 |
| 11 | 240040 | SNAP RING | | 1 | | K-2144 |
| 12 | 23380 | COVER | 206466 | 1 | | A-5205,A-5629,A-5634,A-5751,A-7513 |
| 13 | 1C408 | CAPSCREW | | 2 | 1/4"-20 | |
| 14 | X-3-400 | LOCKWASHER | 4E04 | 2 | 1/4" | |
| 15 | X-8-903 | CAPSCREW | 1C936 | 4 | 9/16"-12X2-1/4" | |
| 16 | 4E09 | LOCKWASHER | | 4 | 9/16" | |
| 17 | 12815 | BUSHING | | 4 | | A-5629,A-5634,A-5751 |
| 17 | 8677 | BUSHING | | 2 | USE W/A-5205 CLUTCH HSG ASSY | A-5205 |
| 18 | 4300121 | OIL SEAL | 3315623 | 1 | SHAFT 1.873, WIDTH .375, OD 2.68 | |
| 18 | 4300204 | OIL SEAL | 235394 | 1 | SHAFT 1.873, WIDTH .375 | |
| 18 | 4300798 | OIL SEAL | 235393 | 1 | SHAFT 1.625, WIDTH .375 | K-7000,K-7013 |
| 19 | 23147 | FRONT BRG COVER-PULL | 3315538 | 1 | USE 4300121 OIL SEAL | |

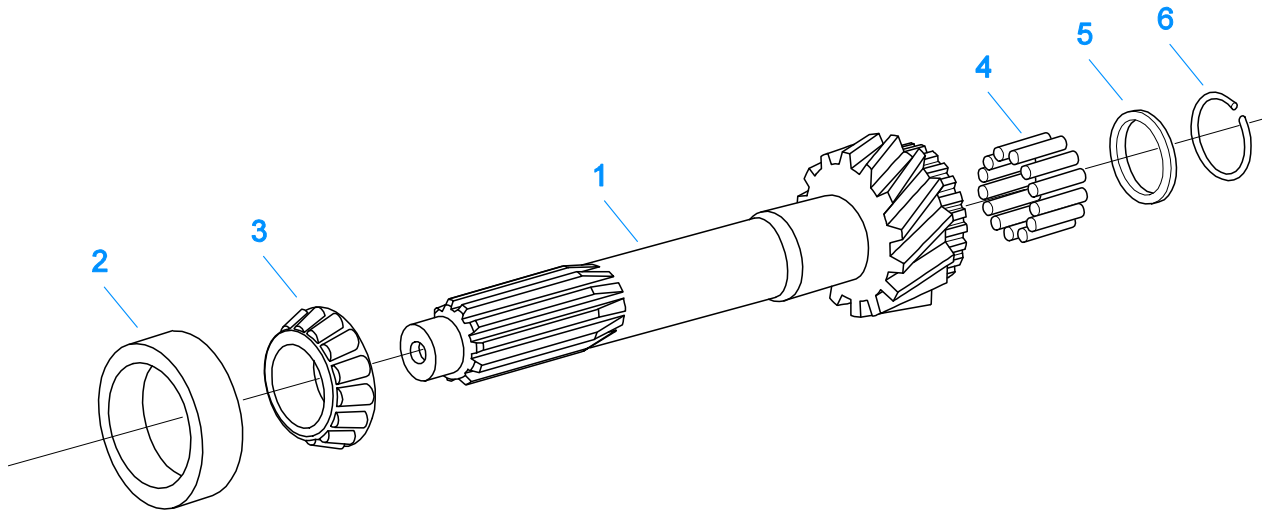
| Item | Current Part | Description | Replaced Part | Qty. | Notes | Kits/Assys Where Needed |
|------|--------------|----------------------|------------------------|------|---|-------------------------|
| 19 | 237743 | FRONT BRG COVER-PUSH | | 1 | USE 4300798 OIL SEAL | |
| 19 | 238870 | FRONT BRG COVER-PUSH | | 1 | USE 4300798 OIL SEAL | |
| 19 | 239821 | FRONT BRG COVER-PUSH | | 1 | USE 4300798 OIL SEAL | |
| 19 | 4300354 | FRONT BRG COVER-PUSH | | 1 | USE 4300204 OR 4300798 OIL SEAL | |
| 19 | 4300355 | FRONT BRG COVER-PUSH | | 1 | USE 4300204 OIL SEAL | |
| 19 | 4300882 | FRONT BRG COVER-PUSH | 237335 | 1 | USE 4300798 OIL SEAL | |
| 20 | 240321 | GASKET | | 1 | | K-2143 |
| 21 | 239614 | SCREW | | 4 | 5/16-18X.81 | |
| 22 | 4300261 | C/S REAR BRG COVER | | 1 | | |
| 23 | 240017 | SHIM .004 | | 1 | QUANTITY AS REQUIRED | K-2116 |
| 23 | 240018 | SHIM .007 | | 1 | QUANTITY AS REQUIRED | K-2116 |
| 23 | 240019 | SHIM .010 | | 1 | QUANTITY AS REQUIRED | K-2116 |
| 23 | 240020 | SHIM .020 | | 1 | QUANTITY AS REQUIRED | K-2116 |
| 23 | 4300980 | SHIM .040 | | 1 | | K-2116 |
| 24 | X-8-688 | CAPSCREW | | 4 | 3/8"-16X1" | |
| 26 | K-3919 | BEARING KIT | 654166, 654137 | 1 | | |
| 27 | 21555 | SPEEDO ROTOR | | 1 | | |
| 27 | 3314356 | SPEEDO DRIVE GEAR | | 1 | 5 TEETH | |
| 27 | 3314448 | SPEEDO DRIVE GEAR | | 1 | 6 TEETH | |
| 27 | 86301 | SPEEDO DRIVE GEAR | | 1 | 5 TEETH | |
| 28 | 239433 | STUD | | 4 | 1/2"-20X2-5/16" | S-1874,S-1924 |
| 29 | 240329 | SHIM .004 | | 1 | QUANTITY AS REQUIRED | K-2116 |
| 29 | 240330 | SHIM .007 | | 1 | QUANTITY AS REQUIRED | K-2116 |
| 29 | 240331 | SHIM .010 | | 1 | QUANTITY AS REQUIRED | K-2116 |
| 29 | 240332 | SHIM .020 | | 1 | QUANTITY AS REQUIRED | K-2116 |
| 29 | 4300981 | SHIM .040 | | 1 | | K-2116 |
| 30 | 208385 | OIL SEAL | | 1 | | |
| 30 | 4300203 | OIL SEAL | 229985 237983 | 1 | SHAFT 2.503, WIDTH .5 | K-7000,K-7013 |
| 31 | 4300846 | REAR BRG COVER | 241101 | 1 | USE 4300203 OIL SEAL | |
| 31 | 4300849 | NO LONGER AVAILABLE | 241615 | 1 | USE 4300203 OIL SEAL | |
| 31 | 4300877 | REAR BRG COVER | 241099 | 1 | USE 4300203 OIL SEAL | |
| 31 | 4300970 | REAR BRG COVER | 3315498 | 1 | USE 208385 OIL SEAL | |
| 31 | 4300972 | REAR BRG COVER | 241102 | 1 | USE 4300203 OIL SEAL | |
| 31 | 4301053 | REAR BRG COVER | 241100 | 1 | USE 4300203 OIL SEAL | |
| 31 | K-7038 | REAR BRG COVER KIT | 4302614 | 1 | USE 4300203 OIL SEAL NOTE: PUSH- IN TYPE SPEEDO SENSOR | |
| 31 | K-7039 | REAR BRG COVER KIT | 4302615 | 1 | USE 4300203 OIL SEAL NOTE: PUSH- IN TYPE SPEEDO SENSOR | |
| 31 | S-7030 | REAR BRG COVER ASSY | 4300845 ,4302037 | 1 | USE 4300203 OIL SEAL NOTE: SENSOR SEAL REQUIRED | |
| 31 | S-7031 | REAR BRG COVER ASSY | 4301677 ,4302039 | 1 | USE 4300203 OIL SEAL NOTE: SENSOR SEAL REQUIRED | |
| 32 | 86D8 | NUT | 86D08 | 4 | 1/2"-20 | |
| 33 | 239436 | WASHER | | 4 | 1/2" | |
| 34 | 21937 | NUT | 216053 ,235656 ,238026 | 1 | 1-1/4"-18 | |
| 35 | 4301954 | SENSOR SEAL | | 1 | | S-7030,S-7031 |
| 36 | 86016 | SLEEVE | | 1 | | |
| 37 | 14373 | MAGNET | | 1 | | S-1923,S-1924 |
| 39 | 4300301 | FITTING-45 DEGREE | 11H15 | 2 | | |
| 39 | 4872 | FITTING-90 DEGREE | 12H15 | 2 | | |



00300-4/93 CS 42

COUNTERSHAFT ASSY

| Item | Current Part | Description | Replaced Part | Qty. | Notes | Kits/Assys Where Needed |
|------|--------------|---------------------|---------------|------|-------|-------------------------|
| 1 | 672070 | BEARING CUP | | 1 | | K-7000,K-7013 |
| 2 | 675246 | BEARING CONE | | 1 | | K-7000,K-7013 |
| 3 | 240767 | SNAP RING | | 1 | | K-2144 |
| 4 | 241013 | DRIVE GEAR-CNTRSHFT | | 1 | | |
| 5 | 4301613 | 4TH GEAR-CNTRSHFT | | 1 | | |
| 6 | 4301536 | 3RD GEAR-CNTRSHFT | | 1 | | |
| 7 | 241017 | 2ND GEAR-CNTRSHFT | | 1 | | |
| 8 | 230292 | KEY | | 2 | | K-2144 |
| 9 | 4301537 | COUNTERSHAFT | | 1 | | |
| 10 | 666554 | BEARING CONE | | 1 | | K-7000,K-7013 |
| 11 | 730362 | BEARING CUP | | 1 | | K-7000,K-7013 |



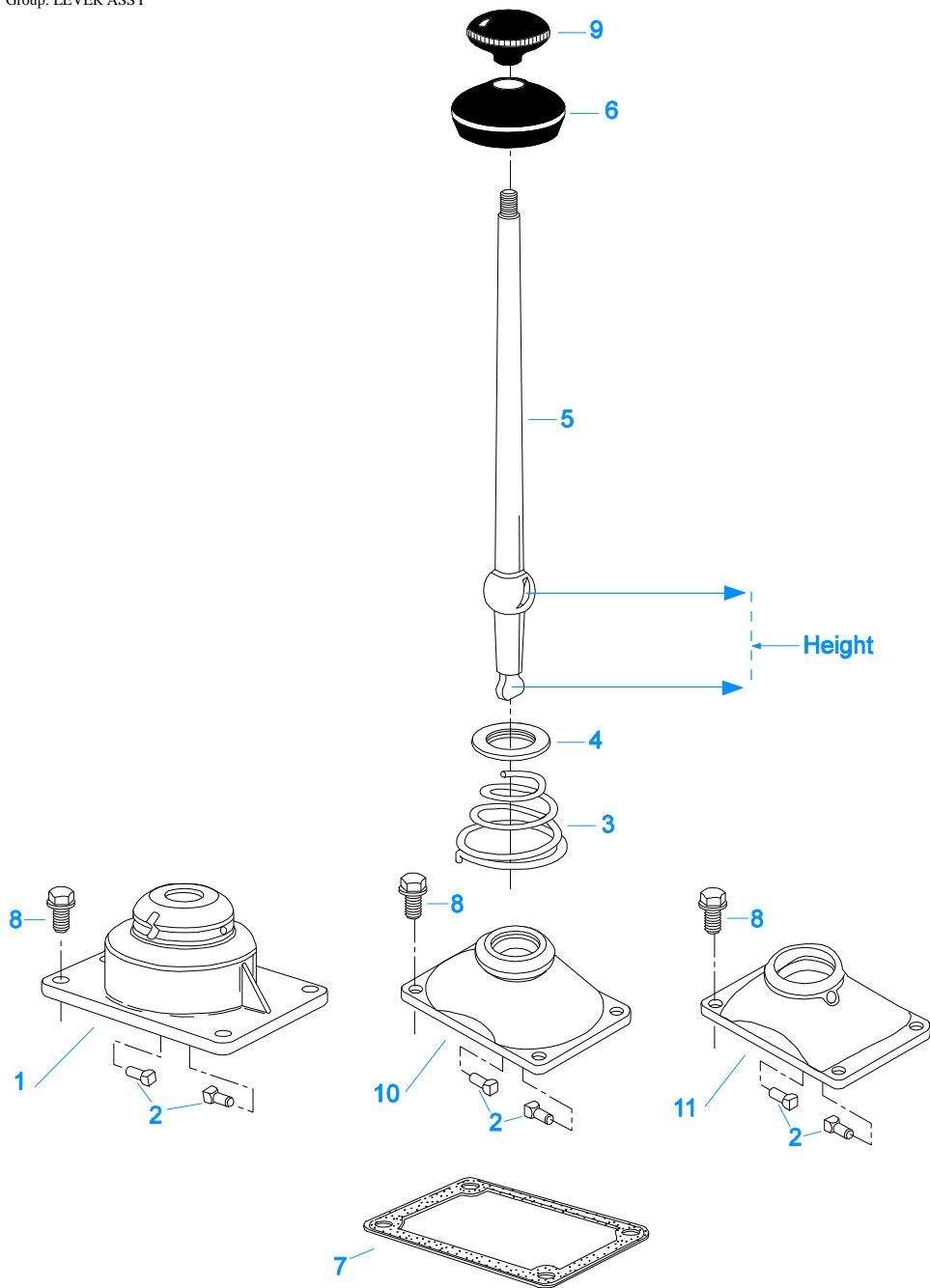
00400-4/93 IS 42

INPUT SHAFT

| Item | Current Part | Description | Replaced Part | Qty. | Notes | Kits/Assys Where Needed |
|------|--------------|-----------------------------|---------------|------|---------------------------------------|-------------------------|
| 1 | 4301625 | IN/SHAFT-1.75" PUSH/PULL | | 1 | USE 23147 FRONT BRG COVER | |
| 1 | 4301626 | INPUT SHAFT-1.50" PUSH | | 1 | USE 4300882 FRONT BRG COVER | |
| 1 | 4301628 | INPUT SHAFT-1.50" PUSH | | 1 | USE 4300882 FRONT BRG COVER | |
| 1 | 4301629 | INPUT SHAFT-1.50" PUSH | | 1 | USE 239821 OR 4300882 FRONT BRG COVER | |
| 1 | 4301631 | INPUT SHAFT-1.50" PUSH | | 1 | USE 22129 OR 238870 FRONT BRG COVER | |
| 1 | 4301632 | IN/SHAFT-1.50" PUSH/PULL | | 1 | USE 23147 FRONT BRG COVER | |
| 1 | 4301633 | INPUT SHAFT-1.50" PUSH | | 1 | USE 4300355 FRONT BRG COVER | |
| 1 | 4301634 | INPUT SHAFT-1.375" PUSH | | 1 | USE 237743 FRONT BRG COVER | |
| 1 | 4301826 | IN/SHAFT-1.75" PUSH/PULL | | 1 | USE 23147 FRONT BRG COVER | |
| 2 | 1314774 | BEARING CUP | | 1 | 1.118",1.375" & 1.50" INPUT | K-7000 |
| 2 | 235417 | BEARING CUP | | 1 | 1.75" INPUT | K-7013 |
| 3 | 1314773 | BEARING CONE | | 1 | 1.118",1.375" & 1.50" INPUT | K-7000 |
| 3 | 235418 | BEARING CONE | | 1 | 1.75" INPUT | K-7013 |
| 4 | 235414 | BEARING | | 14 | | K-7000,K-7013 |
| 5 | 235415 | WASHER | | 1 | | K-2144 |
| 6 | 235416 | SNAP RING | | 1 | | K-2144 |

KITS & ASSEMBLIES

| Item | Current Part | Description | Replaced Part | Qty. | Notes | Kits/Assys Where Needed |
|--------|--------------|-------------------------|---------------------------|------|--|-------------------------|
| K-2116 | | SHIM KIT | | 1 | | |
| K-2143 | | GASKET KIT | | 1 | | |
| K-2144 | | SMALL PARTS KIT | | 1 | | |
| K-3421 | | SYNCHRONIZER KIT | K - 7004 | 1 | | |
| K-3479 | | SYNCHRONIZER KIT | K - 7005 | 1 | | |
| K-3919 | | BEARING KIT | 654166, 654137 | 1 | | |
| K-7000 | | BASIC REBUILD KIT | | 1 | 1.50 INPUT - 2.00 OUTPUT | |
| K-7013 | | BASIC REBUILD KIT | | 1 | 1.75 INPUT SHAFT | |
| K-7038 | | REAR BRG COVER KIT | 4302614 | 1 | | |
| K-7039 | | REAR BRG COVER KIT | 4302615 | 1 | | |
| K-7061 | | SHIFT LEVER HSG KIT | 241075 ,4302711 ,A - 6439 | 1 | ALUMINUM HOUSING MEDIUM - LEVER HEIGHT 3-1/8" | |
| K-7062 | | SHIFT LEVER HSG KIT | 233080 ,4302711 ,A - 6440 | 1 | ALUMINUM HOUSING HIGH - LEVER HEIGHT 3-1/2" | |
| S-1578 | | SHIFT LEVER ASSY 3-1/2" | | 1 | COMPLETE ASSY - ALUMINUM HOUSING HIGH - LEVER HEIGHT 3-1/2" 27-1/2" STRAIGHT LEVER - "BEND TO SUIT" 3/8" X 24 THREAD | |
| S-1827 | | SHIFT LEVER ASSY 3-1/8" | S-7079 | 1 | COMPLETE ASSY - ALUMINUM HOUSING MEDIUM - LEVER HEIGHT 3-1/8" 27-1/2" STRAIGHT LEVER - "BEND TO SUIT" 3/8" X 24 THREAD | |
| S-1874 | | CASE ASSY | 4300878 | 1 | | |
| S-1923 | | CASE ASSY | 4300816 ,4301032 ,4301099 | 1 | | |
| S-1924 | | NO LONGER AVAILABLE | 4301033 | 1 | | |
| S-7030 | | REAR BRG COVER ASSY | 4300845 ,4302037 | 1 | | |
| S-7031 | | REAR BRG COVER ASSY | 4301677 ,4302039 | 1 | | |
| S-7045 | | SHIFT LEVER ASSY 2-7/8" | | 1 | COMPLETE ASSY - ALUMINUM HOUSING LOW - LEVER HEIGHT 2-7/8" 33" STRAIGHT LEVER - "BEND TO SUIT" 3/8" X 24 THREAD | |
| S-7077 | | SHIFT BAR HOUSING ASSY | 239834 ,4302944 | 1 | COMPLETE REVERSE SWITCH POSITION - RIGHT FRONT | |
| S-7085 | | SHIFT BAR HSG ASSY | 4300336 ,4302956 | 1 | COMPLETE - W/NEUTRAL SWITCH PROVISION REVERSE SWITCH POSITION - RIGHT REAR | |

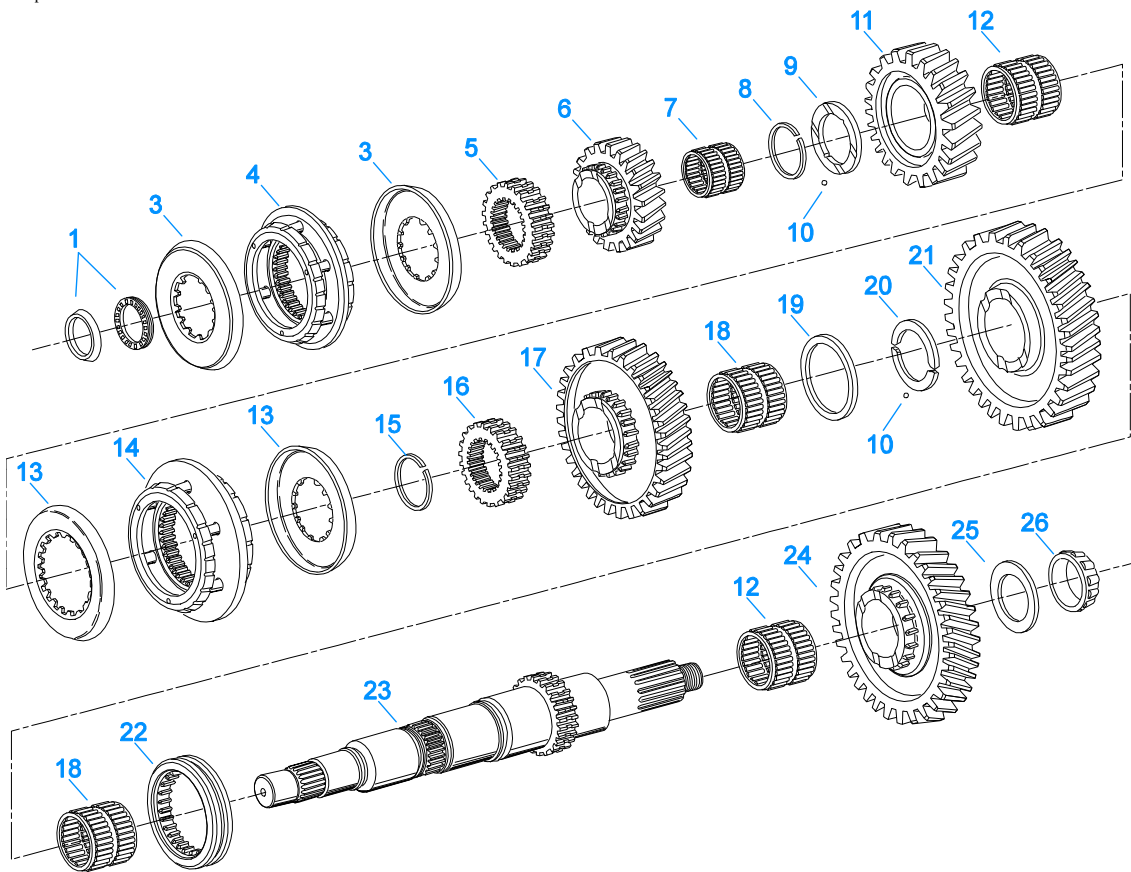


00171-3-94 LA

LEVER ASSY

| Item | Current Part | Description | Replaced Part | Qty. | Notes | Kits/Assys Where Needed |
|------|--------------|---------------------|---------------------------|------|---|---|
| 1 | K-7062 | SHIFT LEVER HSG KIT | 233080 ,4302711 ,A - 6440 | 1 | ALUMINUM HOUSING HIGH - LEVER HEIGHT 3-1/2" | |
| 2 | 201054 | PIN | | 2 | FOR HSGS WITHOUT PIN SLEEVES | |
| 2 | 23180 | PIN | | 2 | FOR HSGS WITH PIN SLEEVES | K-7061,K-7062,K-7065,S-1578,S-1827,S-7045 |
| 3 | 4300690 | SPRING | 229337 | 1 | | S-1578,S-1827,S-7045 |
| 4 | 23181 | WASHER | | 1 | | S-1578,S-1827,S-7045 |
| 5 | 21722 | SHIFT LEVER 27-1/2" | | 1 | USE WITH K-7062 STRAIGHT LEVER - "BEND TO SUIT" | S-1578 |
| 5 | 228648 | GEAR SHIFT LEVER | | 1 | USE WITH 233080 STRAIGHT LEVER - "BEND TO SUIT" | |

| Item | Current Part | Description | Replaced Part | Qty. | Notes | Kits/Assys Where Needed |
|------|--------------|---------------------|----------------------------|------|---|--|
| 5 | 241076 | SHIFT LEVER 27-1/2" | | 1 | USE WITH K-7061 STRAIGHT LEVER - "BEND TO SUIT" | S-1827 |
| 5 | 4302823 | SHIFT LEVER 33" | | 1 | USE WITH A-6448 STRAIGHT LEVER - "BEND TO SUIT" | S-7045 |
| 6 | 202484 | DUST COVER | | 1 | | S-1578,S-1827,S-7045 |
| 7 | 4301958 | GASKET | | 1 | | K-2143,K-7061,K-7062,K-7065,S-1578,S-1827,S-7045 |
| 8 | X-8C-604 | CAPSCREW | | 4 | 3/8"-16X1-1/4" | |
| 9 | 201401 | SHIFT KNOB | | 1 | 3/8"X24 THREAD | S-1578,S-7045 |
| 10 | K-7061 | SHIFT LEVER HSG KIT | 241075 ,4302711 ,A - 6439 | 1 | ALUMINUM HOUSING MEDIUM - LEVER HEIGHT 3-1/8" | |
| 11 | K-7065 | SHIFT LEVER HSG KIT | 4302704 ,4302711 ,A - 6448 | 1 | ALUMINUM HOUSING LOW - LEVER HEIGHT 2-7/8" | |



00200-4/93 MS 42

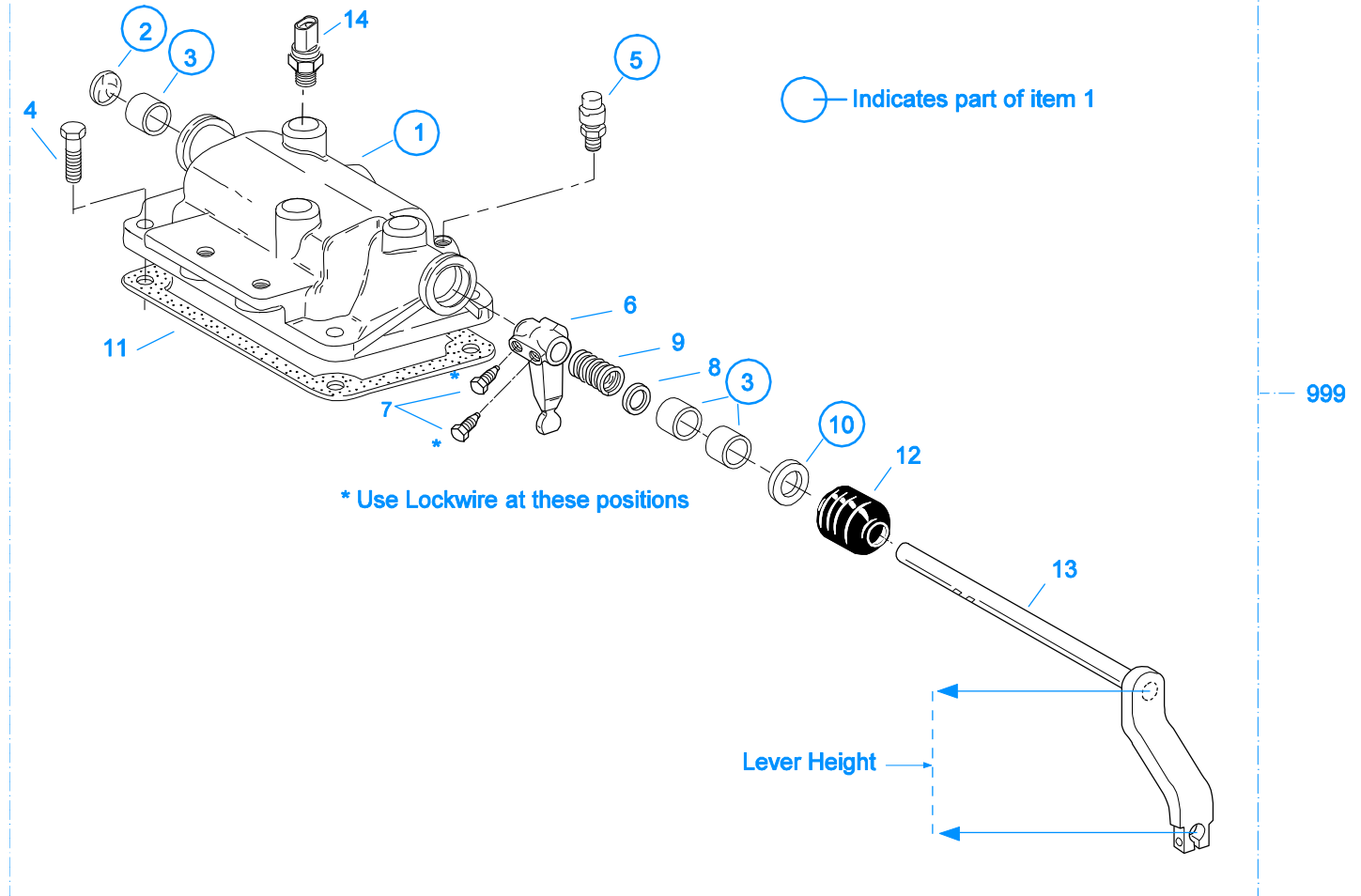
MAINSHAFT ASSY

| Item | Current Part | Description | Replaced Part | Qty. | Notes | Kits/Assys Where Needed |
|------|--------------|------------------------|----------------|------|-------|-------------------------|
| 1 | K-3704 | BEARING & RACE KIT | 235382 ,235383 | 1 | | |
| 3 | 3001435 | SYNCHRONIZER CUP | 4301565 | 2 | | K-3479 |
| 4 | A-6609 | SYNCHRONIZER ASSY 4/5 | A - 6144 | 1 | | K-3479 |
| 5 | 4303689 | CLUTCH HUB 4/5 | 4301534 | 1 | | |
| 6 | 4303797 | 4TH GEAR-MAINSHAFT | 4301612 | 1 | | |
| 7 | 239651 | BEARING | | 1 | | K-7000,K-7013 |
| 8 | 224069 | SNAP RING | | 1 | | |
| 9 | 23127 | WASHER | | 1 | | K-2144 |
| 10 | 10J06 | STEEL BALL | | 2 | 3/16" | K-2144 |
| 11 | 4301528 | 3RD GEAR-MAINSHAFT | | 1 | | |
| 12 | 239818 | BEARING | | 2 | | K-7000,K-7013 |
| 13 | 4301467 | SYNCHRONIZER CUP | | 2 | | K-3421 |
| 14 | A-6608 | SYNCHRONIZER ASSY 2/3 | A - 6137 | 1 | | K-3421 |
| 15 | 240037 | SNAP RING | | 1 | | K-2144 |
| 16 | 4301533 | CLUTCH HUB 2/3 | | 1 | | |
| 17 | 4301529 | 2ND GEAR-MAINSHAFT | | 1 | | |
| 18 | 239653 | BEARING | | 2 | | K-7000,K-7013 |
| 19 | 235379 | RETAINER | | 1 | | K-2144 |
| 20 | 235378 | SPLIT WASHER | | 2 | | K-2144 |
| 21 | 4301530 | 1ST GEAR-MAINSHAFT | | 1 | | |
| 22 | 4301566 | SLIDING CLUTCH | | 1 | | |
| 23 | 4301532 | MAINSHAFT | | 1 | | |
| 24 | 4301531 | REVERSE GEAR-MAINSHAFT | | 1 | | |
| 25 | 240026 | WASHER | | 1 | | K-2144 |
| 26 | K-3919 | BEARING KIT | 654166, 654137 | 1 | | |

MISCELLANEOUS

| Item | Current Part | Description | Replaced Part | Qty. | Notes | Kits/Assys Where Needed |
|-------|--------------|------------------|---------------|------|----------------------------------|-------------------------|
| 71203 | | SILICONE LUBE | | 1 | 8 OZ (236.59 CC)-FLEET SIZE | |
| 71204 | | ADHESIVE SEALANT | | 1 | 0.5 CC (SINGLE APPLICATION SIZE) | |
| 71205 | | SEALANT | | 1 | 2 CC (SINGLE APPLICATION SIZE) | |
| 71206 | | SILICONE LUBE | | 1 | 4 CC (SINGLE APPLICATION SIZE) | |
| 71231 | | GASKET SEALANT | | 1 | 8 MILLILITER SIZE | K-2116 |
| 71232 | | THREAD ADHESIVE | | 1 | 10 MILLILITER SIZE | K-7000,K-7013 |

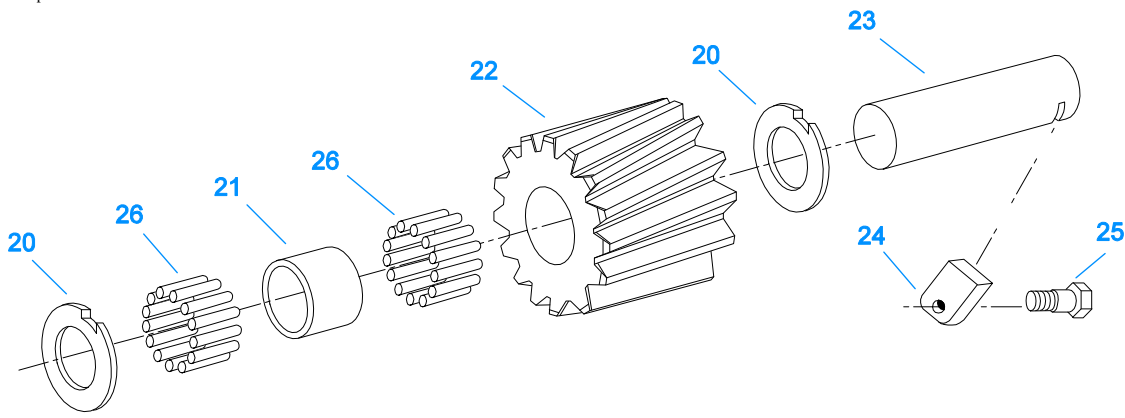
Group: REMOTE CONTROL



00151-2-94 RCH

REMOTE CONTROL

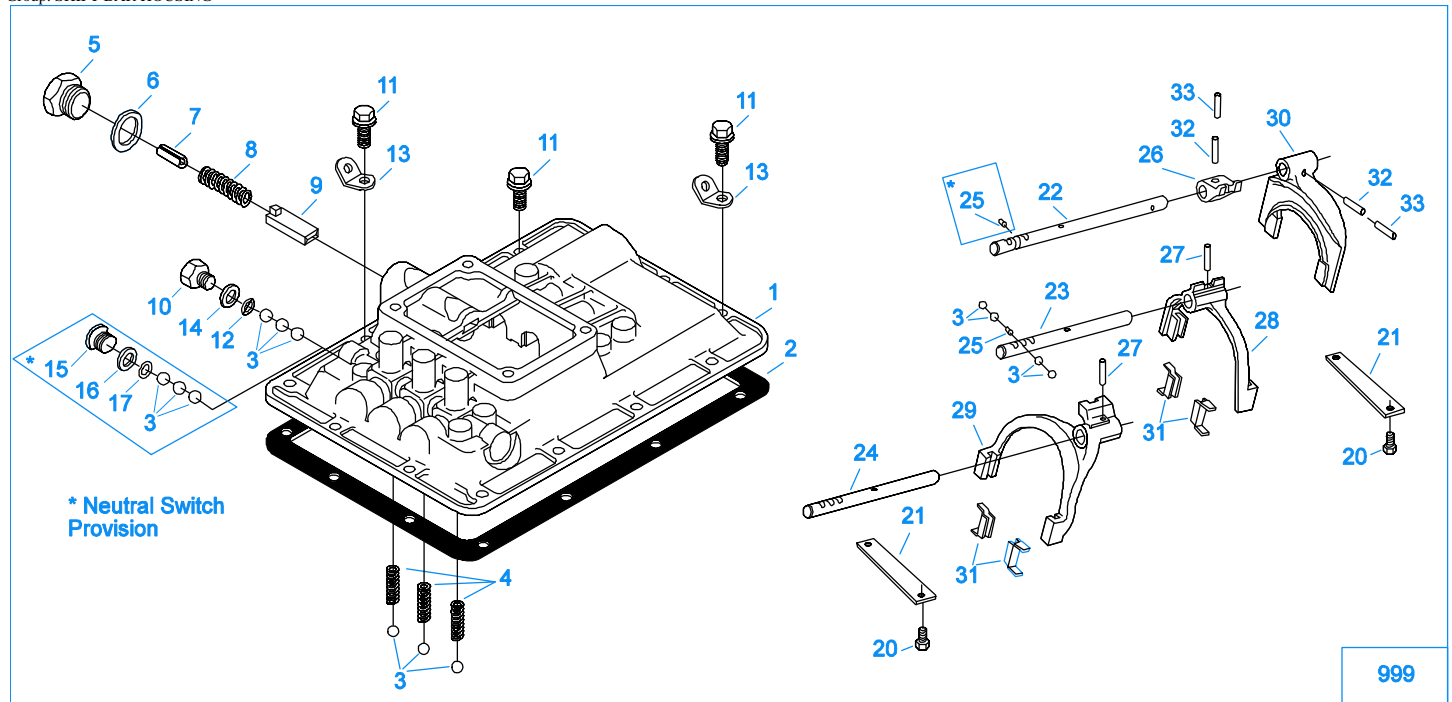
| Item | Current Part | Description | Replaced Part | Qty. | Notes | Kits/Assys Where Needed |
|------|--------------|----------------------|---------------|------|-------------------------------|--|
| 1 | 3316284 | CONTROL HOUSING ASSY | 3316285 | 1 | | |
| 2 | 12F100 | PLUG 1" | | 1 | | |
| 3 | 3312252 | BUSHING | | 3 | | |
| 4 | X-8C-604 | CAPSCREW | | 4 | 3/8"-16X1-1/4" | |
| 5 | 3315948 | BREATHER | | 1 | USE WITH 3316284 HOUSING ASSY | |
| 5 | 4300217 | BREATHER | | 1 | | |
| 6 | 3316290 | SHIFT FINGER | | 1 | | |
| 7 | 3315272 | SCREW | | 2 | | |
| 8 | 3312745 | WASHER | | 1 | | |
| 9 | 3315837 | SPRING | | 1 | | |
| 10 | 3312225 | OIL SEAL | | 1 | | |
| 11 | 4301958 | GASKET | | 1 | | K-2143,K-7061,K-7062,K-7065,S-1578,S-1827,S-7045 |
| 12 | 3314302 | BOOT | | 1 | | |
| 13 | 3316288 | NO LONGER AVAILABLE | | 1 | LEVER HEIGHT 5-1/8" | |
| 13 | A-5312 | SHAFT & LEVER ASSY | | 1 | LEVER HEIGHT 85MM (3.35") | |
| 999 | A-5497 | NO LONGER AVAILABLE | | 1 | LEVER HEIGHT 5-1/8" | |



00450-4/93 RI 42

REVERSE IDLER GEAR ASSY

| Item | Current Part | Description | Replaced Part | Qty. | Notes | Kits/Assys Where Needed |
|------|--------------|-------------|---------------|------|------------|-------------------------|
| 20 | 240023 | WASHER | | 2 | | K-2144 |
| 21 | 240024 | SPACER | | 1 | | K-2144 |
| 22 | 4301592 | IDLER GEAR | 239799 | 1 | | |
| 23 | 240022 | IDLER SHAFT | | 1 | | |
| 24 | 201929 | SHAFT LOCK | | 1 | | |
| 25 | X-8C-600 | CAPSCREW | 239611 | 1 | 3/8"-16X1" | |
| 26 | 235376 | BEARING | | 52 | | K-7000,K-7013 |



00100-4/93

SHIFT BAR HOUSING

| Item | Current Part | Description | Replaced Part | Qty. | Notes | Kits/Assys Where Needed |
|------|--------------|-----------------------|------------------|------|--|-------------------------|
| 1 | A-6534 | SHIFT BAR HSG ASSY | 239834 ,4302944 | 1 | HOUSING ONLY REVERSE SWITCH POSITION - RIGHT FRONT | |
| 1 | A-6538 | SHIFT BAR HSG ASSY | 4300336 ,4302956 | 1 | HOUSING ONLY - W/NEUTRAL SWITCH PROVISION REVERSE SWITCH POSITION - RIGHT REAR | |
| 2 | 240038 | GASKET | | 1 | | K-2143,S-7077,S-7085 |
| 3 | 10J14 | STEEL BALL | | 10 | 7/16" - REVERSE SWITCH | |
| 3 | 10J14 | STEEL BALL | | 13 | 7/16" - W/NEUTRAL SWITCH PROVISION | |
| 4 | 4303939 | SPRING | 201045 | 3 | | |
| 5 | 235621 | PLUG 1" | | 1 | | |
| 6 | 235622 | GASKET | | 1 | | K-2143 |
| 7 | 240496 | SPACER | | 1 | | |
| 8 | 233794 | SPRING | | 1 | | |
| 9 | 23576 | PLUNGER | | 1 | | |
| 10 | 235052 | CA PLUG | | 1 | 9/16 - 18 | |
| 10 | 4303656 | PLUG | 15917 | 1 | 9/16 - 18, THREADED | |
| 11 | X-8C-600 | CAPSCREW | 239611 | 13 | 3/8"-16X1" | |
| 12 | 4301719 | BALL RETAINER-REVERSE | | 1 | | |
| 13 | 238370 | LIFTING EYE | | 2 | | |
| 14 | 15900 | GASKET | | 1 | | K-2143,S-7077,S-7085 |
| 15 | 4303655 | PLUG | 17178 | 1 | | S-7085 |
| 16 | 17179 | GASKET | | 1 | | S-7085 |
| 17 | 4301718 | BALL RETAINER-NEUTRAL | | 1 | | |
| 20 | 233043 | CAPSCREW | | 4 | 3/8"-16X1" - USE W/4301277 RETAINER | |
| 21 | 4301277 | SHIFT BAR RETAINER | | 2 | | |
| 22 | 4301541 | YOKE BAR 1ST/REV | | 1 | USE W/239834, 4302944 OR A-6534 HOUSING | |
| 22 | 4302656 | YOKE BAR 1ST/REV | | 1 | USE W/4300336, 4302956 OR A-6538 HOUSING | |
| 23 | 4301540 | YOKE BAR 2ND/3RD | | 1 | | |
| 24 | 4301539 | YOKE BAR 4TH/5TH | | 1 | | |
| 25 | 201044 | PIN | | 2 | W/NEUTRAL SWITCH PROVISION | |
| 25 | 201044 | PIN | | 1 | REVERSE SWITCH | |
| 26 | 4300402 | SHIFT BLOCK 1ST/REV | | 1 | | |

| Item | Current Part | Description | Replaced Part | Qty. | Notes | Kits/Assys Where Needed |
|------|--------------|------------------------|------------------|------|--|-------------------------|
| 27 | 14J1818 | PIN | | 2 | | |
| 28 | A-6146 | YOKE ASSY 2ND/3RD | 4301595 | 1 | | |
| 29 | A-6145 | YOKE ASSY 4TH/5TH | 4301593 | 1 | | |
| 30 | 4300401 | SHIFT YOKE 1ST/REV | | 1 | | |
| 31 | 227675 | INSERT - YOKE PAD | | 4 | | A-6145,A-6146,K-2144 |
| 32 | 1JM6028 | PIN | | 2 | | |
| 33 | 1JM3528 | PIN | | 2 | | |
| 999 | S-7077 | SHIFT BAR HOUSING ASSY | 239834 ,4302944 | 1 | COMPLETE REVERSE SWITCH POSITION - RIGHT FRONT | |
| 999 | S-7085 | SHIFT BAR HSG ASSY | 4300336 ,4302956 | 1 | COMPLETE - W/NEUTRAL SWITCH PROVISION REVERSE SWITCH POISTION - RIGHT REAR | |

