



## Eaton Fuller FS-5005C Transmission Parts Manual

This is Eaton Fuller FS-5005C Transmission parts manual brought to you by Pro Gear and Transmission to assist you identifying the parts for your Eaton / Fuller transmission unit.


If you need any assistance identifying the correct Eaton / Fuller unit for your truck and equipment, contact your Eaton replacement parts specialists at Pro Gear and Transmission.

Pro Gear stocks every part for your Eaton transmission including: Valve Assemblies, Synchronizers, Yoke Assemblies, O-Ring Kits, Drive Gears, Gaskets, Bearing and Seal Kits, and much more.

Pro Gear and Transmission has same day shipping and thousands of products in stock and ready to ship internationally for your next project.

For parts or service contact the Eaton transmission specialists at Pro Gear & Transmission, Inc.

 CALL US

 EMAIL US

 VISIT MODEL PAGE

 VISIT ONLINE STORE



**Roadranger®**

More time on the road®

# Illustrated Parts List

---

**FS-5005C**  
**July 2011**

# Contents

How To Use The Illustrated Parts List .....	3
CASE.....	4
COUNTERSHAFT ASSY .....	6
INPUT SHAFT.....	7
KITS & ASSEMBLIES .....	8
LEVER ASSY .....	9
MAINSHAFT ASSY.....	11
MISCELLANEOUS .....	13
REMOTE CONTROL.....	14
REVERSE IDLER GEAR ASSY .....	15
SHIFT BAR HOUSING .....	16

## How To Use The Illustrated Parts List

The information contained in this document is subject to frequent updates. Therefore, for the latest information available, please visit the interactive Electronic Parts Catalog at [www.roadranger.com/epc](http://www.roadranger.com/epc).

### Model Designation or Nomenclature

- For information regarding Model Designation and Nomenclature, visit [www.roadranger.com](http://www.roadranger.com).

### Kits and Assemblies (K/A's)

- Kits and Assemblies contain groups of individual or assembled parts developed for optimal replacement or repair of a service problem.
- Kits and Assemblies are shown with applicable parts groupings in the parts listings.

### Identifying Kits and Assemblies

A- Part numbers beginning with the letter 'A' are pre-assembled Production Assemblies

K- Part numbers beginning with the letter 'K' are kits that are not assembled

S- Part numbers beginning with the letter 'S' are pre-assembled Service Assemblies

- Note: Some Production Assemblies do not begin with a letter prefix (Midrange only).

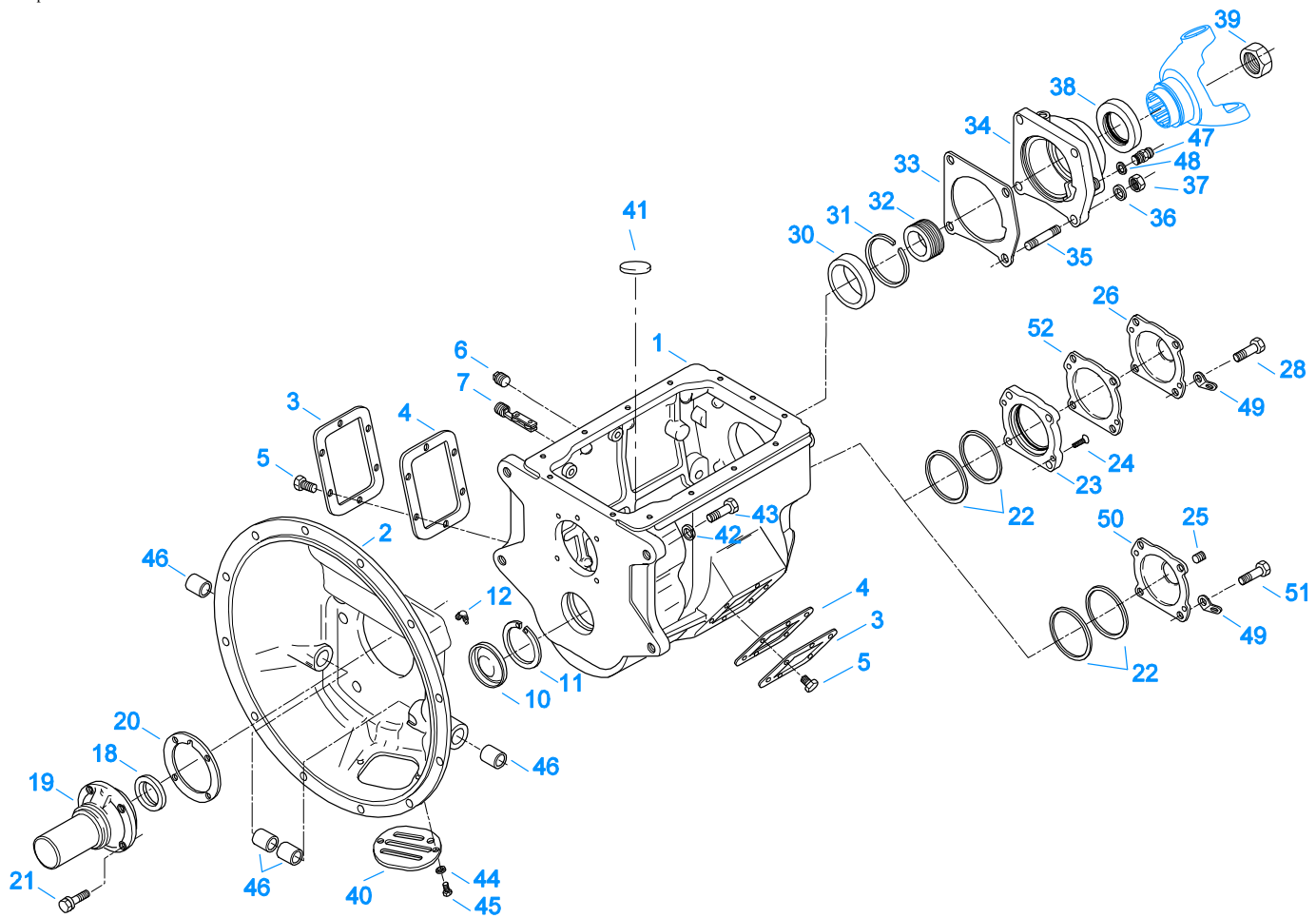
### Illustrations

- Illustrations show parts in assembly groups.
- Item numbers on illustrations correspond with parts listings on pages adjacent to the illustration.
- Notes are included on illustrations where additional information is needed.

### Parts Listing

Parts listings are defined by parts groupings and are broken down by service assemblies. Parts listings identify a part for servicing with the following categories

- **Item Number** - corresponding with numbers on illustrations for part identification.
- **Current Part** - identifies part as it is available for service.
- **Description** - specifies part name or description.
- **Replaced Part** - quantity quantity required for assembly.
- **Quantity** - defines unique characteristics or requirements.
- **Notes** - indicates Kits or Assemblies that contain a particular part.
- **Kits/Assy's Where Used**

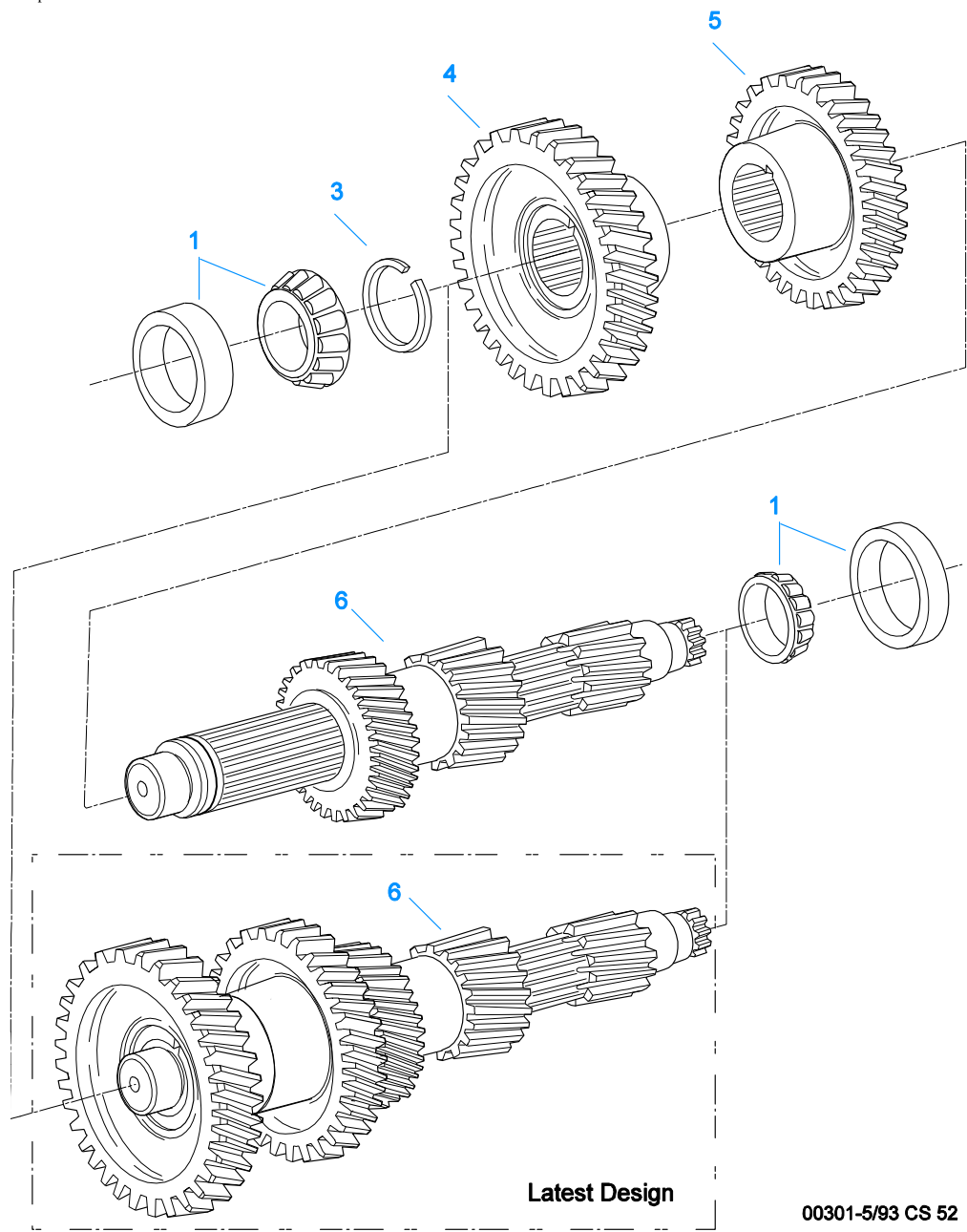


00181-6-94

**CASE**

Item	Current Part	Description	Replaced Part	Qty.	Notes	Kits/Assys Where Needed
1	S-1911	CASE ASSY	4300218	1		
1	S-1922	CASE ASSY	4300983	1	METRIC BOSS HOLES	
2	230548	CLUTCH HSG ASSY	230549	1	#2 PUSH-IRON W/10H25 FITTINGS	
2	A-5205	CLUTCH HSG ASSY	21646	1	#2 ALUMINUM, BELOW CENTER LINE PUSH TYPE	
2	A-5634	CLUTCH HSG ASSY	23726 ,3316236 ,3316237 ,A - 5632 ,A - 5771	1	#2 ALUMINUM, ABOVE CENTER LINE PULL TYPE	
2	A-5751	CLUTCH HSG ASSY	4300418	1	#2 ALUMINUM, BELOW CENTER LINE PUSH TYPE	
2	A-7513	CLUTCH HSG ASSY	3316239	1	#2 ALUMINUM, PUSH TYPE (FORK)	
3	201398	PTO COVER		2		
4	201400	GASKET		2		K-2085
5	239613	CAPSCREW		12	3/8"-16X5/8"	
6	X-12-1210	PIPE PLUG	X12 1206	1		
7	X-12-1207	PIPE PLUG	X12 1202 X12 1206	1	3/4" MAGNETIC	
10	3315679	PLUG		1		K-2132
11	3315686	SNAP RING		1		K-2132
12	10H25	FITTING-STRAIGHT		2		
12	4300301	FITTING-45 DEGREE	11H15	2		
18	4300121	OIL SEAL	3315623	1	SHAFT 1.873, WIDTH .375, OD 2.68	K-2123
18	4300204	OIL SEAL	235394	1	SHAFT 1.873, WIDTH .375	K-2123
18	4300798	OIL SEAL	235393	1	SHAFT 1.625, WIDTH .375	K-2121,K-2122
19	23147	FRONT BRG COVER-PULL	3315538	1	USE 4300121 OIL SEAL	
19	235357	FRONT BRG COVER-PUSH		1	USE 4300204 OIL SEAL	
19	235358	FRONT BRG COVER-PUSH		1	USE 4300798 OIL SEAL	

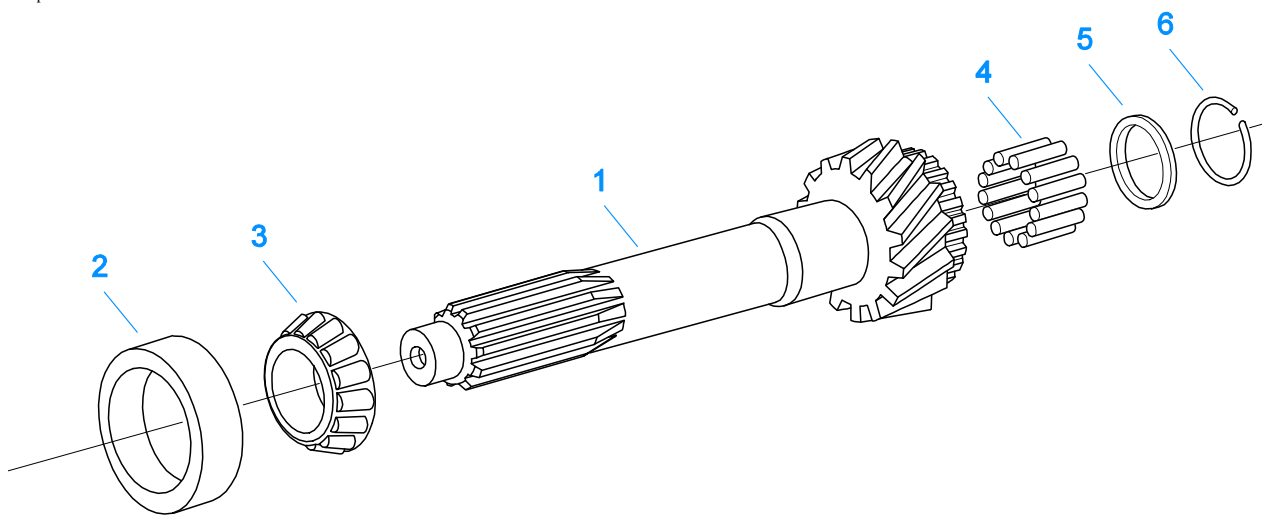
Item	Current Part	Description	Replaced Part	Qty.	Notes	Kits/Assys Where Needed
19	235650	FRONT BRG COVER-PULL		1	USE 4300204 OIL SEAL	
19	4300354	FRONT BRG COVER-PUSH		1	USE 4300204 OR 4300798 OIL SEAL	
19	4300355	FRONT BRG COVER-PUSH		1	USE 4300204 OIL SEAL	
19	4300882	FRONT BRG CVR-PUSH/PULL	237335	1	USE 4300798 OIL SEAL	
20	235403	SHIM .004		1	QUANTITY AS REQUIRED	
20	235404	SHIM .007		1	QUANTITY AS REQUIRED	
20	235405	SHIM .010		1	QUANTITY AS REQUIRED	
20	235406	SHIM .020		1	QUANTITY AS REQUIRED	
20	4300979	SHIM .040		1		
21	239614	SCREW		4	5/16-18X.81	
22	22015	SHIM .004		1	QUANTITY AS REQUIRED	
22	22016	SHIM .007		1	QUANTITY AS REQUIRED	
22	22017	SHIM .010		1	QUANTITY AS REQUIRED	
22	22018	SHIM .020		1	QUANTITY AS REQUIRED	
22	4300982	SHIM .040		1		
23	22011	NO LONGER AVAILABLE		1		
24	9G416H	SCREW		2	1/4"-20X1"	
25	X-12-405	PIPE PLUG		1		
26	22013	BEARING RETAINER		1		
28	X-8C-604	CAPSCREW		4	3/8"-16X1-1/4"	
30	235422	BEARING ASSY		1	INCLUDES 226331 SNAP RING	
31	226331	SNAP RING		1		K-2121,K-2122,K-2123
32	21558	SPEEDO ROTOR		1	16 TEETH - 1.96 OUTPUT	
32	3314685	SPEEDO DRIVE GEAR		1	6 TEETH - 1.96 OUTPUT	
33	4300852	GASKET	235653 236733 4301096	1		K-2085,K-7041,K-7042
34	241705	REAR BRG COVER		1	USE 4300119 OIL SEAL	
34	K-7041	REAR BRG COVER KIT	4302617	1	USE 4300119 OIL SEAL NOTE: PUSH-IN TYPE SPEEDO SENSOR	
34	K-7042	REAR BRG COVER KIT	4302618	1	USE 4300119 OIL SEAL NOTE: PUSH-IN TYPE SPEEDO SENSOR	
34	S-7032	NLA-REAR BRG COVER ASSY	23247 ,4301986	1	USE 4300203 OIL SEAL NOTE: SENSOR SEAL REQUIRED	
34	S-7033	REAR BRG COVER ASSY	23341 ,4302023	1	USE 23484 OR 4300119 OIL SEAL NOTE: SENSOR SEAL REQUIRED	
34	S-7034	REAR BRG COVER ASSY	21557 ,4302000	1	USE 23484 OR 4300119 OIL SEAL NOTE: SENSOR SEAL REQUIRED	
35	239433	STUD		4	1/2"-20X2-5/16"	S-1922
36	239436	WASHER		4	1/2"	
37	86D8	NUT	86D08	4	1/2"-20	
38	23484	OIL SEAL		1	SHAFT 2.505, WIDTH .433	
38	235655	OIL SEAL		1	SHAFT 2.75, WIDTH .5	K-2121,K-2123
38	4300119	OIL SEAL		1	SHAFT 2.753, WIDTH .5	K-2121,K-2123
38	4300203	OIL SEAL	229985 ,237983	1	SHAFT 2.503, WIDTH .5	
39	21937	NUT	216053 ,235656 ,238026	1	1-1/4"-18	
40	23380	COVER	206466	1		A-5205,A-5634,A-5751,A-7513 S-1911,S-1922
41	14373	MAGNET		1		
42	X-3-1000	LOCKWASHER		4	5/8"	
43	X-8-1011	CAPSCREW	1C1036	4	5/8"-11X2-1/4"	
44	X-3-400	LOCKWASHER	4E04	2	1/4"	
45	1C408	CAPSCREW		2	1/4"-20	
46	12815	BUSHING		4		A-5634,A-5751
46	8677	BUSHING		2		A-5205
47	3316225	SLEEVE		1		
48	4301954	SENSOR SEAL		1		S-7032,S-7033,S-7034
49	238370	LIFTING EYE		1		
50	4301603	BEARING RETAINER		1		
51	X-8-688	CAPSCREW		4	3/8"-16X1"	
52	22014	GASKET		1		K-2085



00301-5/93 CS 52

## COUNTERSHAFT ASSY

Item	Current Part	Description	Replaced Part	Qty.	Notes	Kits/Assys Where Needed
1	K-3859	COUNTERSHAFT BRG KIT	654166, 791943	2		
3	224024	SNAP RING		1		A-6328,K-2132
4	4301182	DRIVE GEAR-CNTRSHFT		1		A-6328
4	A-6328	COUNTERSHAFT ASSY		1		
5	4301184	4TH GEAR-CNTRSHFT		1		A-6328
5	A-6328	COUNTERSHAFT ASSY		1		
6	4301187	COUNTERSHAFT		1		A-6328
6	A-6328	COUNTERSHAFT ASSY		1		



00400-4/93 IS 42

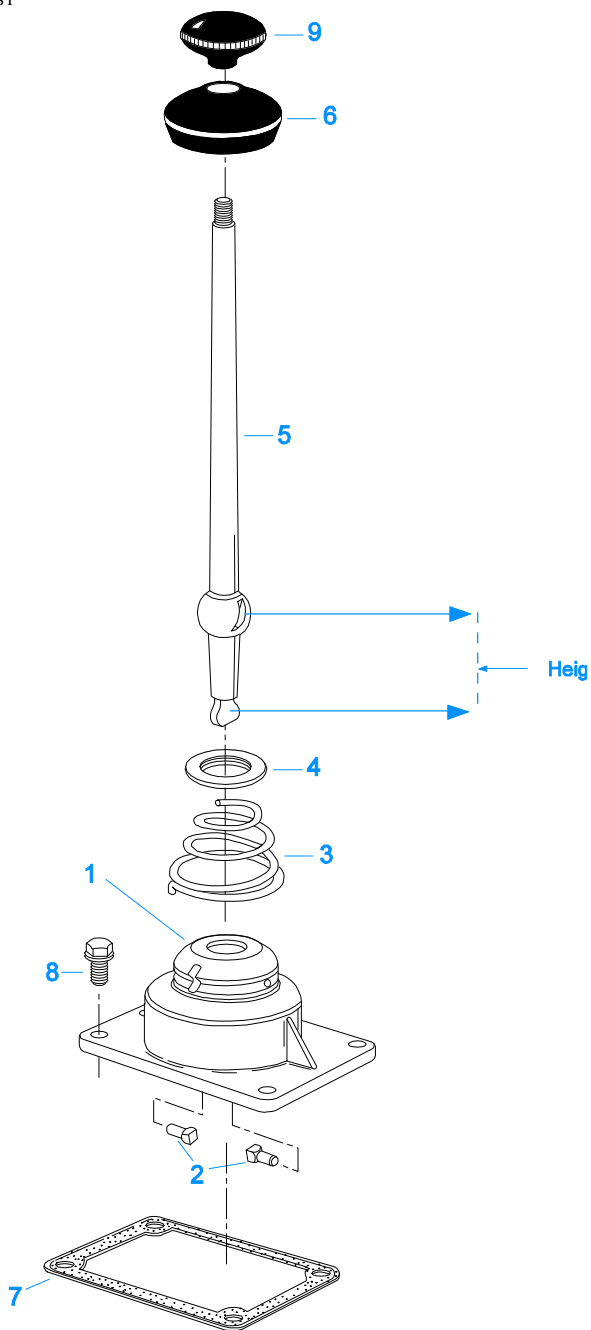
### INPUT SHAFT

Item	Current Part	Description	Replaced Part	Qty.	Notes	Kits/Assys Where Needed
1	235432	NO LONGER AVAILABLE		1	USE 235358 FRONT BRG COVER	
1	235434	NO LONGER AVAILABLE		1	USE 4300882 FRONT BRG COVER	
1	235649	IN/SHAFT-1.75" PUSH/PULL		1	USE 23147 OR 235650 FRONT BRG COVER	
1	2760832	NO LONGER AVAILABLE		1	USE 23147 OR 235650 FRONT BRG COVER	
1	4300424	NO LONGER AVAILABLE		1	USE 4300355 FRONT BRG COVER	
1	4300886	INPUT SHAFT-1.50" PUSH		1	USE 4300882 FRONT BRG COVER	
2	1314774	BEARING CUP		1	1.50" INPUT	K-2121,K-2122
2	235417	BEARING CUP		1	1.75" INPUT	K-2123
3	1314773	BEARING CONE		1	1.50" INPUT	K-2121,K-2122
3	235418	BEARING CONE		1	1.75" INPUT	K-2123
4	235414	BEARING		14		K-2121,K-2122,K-2123
5	235415	WASHER		1		K-2132
6	235416	SNAP RING		1		K-2132



## KITS & ASSEMBLIES

Item	Current Part	Description	Replaced Part	Qty.	Notes	Kits/Assys Where Needed
K-2085		GASKET KIT		1		K-2121,K-2122,K-2123
K-2113		SYNCHRONIZER KIT		1		
K-2114		SYNCHRONIZER KIT		1		
K-2121		BASIC REBUILD KIT		1	FOR UNITS W/1.50" INPUT SHAFT & 2.00" MAINSHAFT	
K-2122		BASIC REBUILD KIT		1	FOR UNITS W/1.50" INPUT SHAFT & 1.75" MAINSHAFT FOR UNITS W/1.75" INPUT SHAFT & 1.75" MAINSHAFT, IN ADDITION TO K-2122 YOU MUST ORDER ONE 235417, 235418 & 4300204 FOR 2.503" COVER BORE DIAMETER OR 4300121 FOR 2.678" COVER BORE DIAMETER	
K-2123		BASIC REBUILD KIT		1	FOR UNITS W/1.75" INPUT SHAFT & 2.00" MAINSHAFT	
K-2132		SMALL PARTS KIT		1		
K-2291		MAINSHAFT KIT	23016	1	1.96 SPLINE	
K-2293		MAINSHAFT KIT	23118	1	2.00 SPLINE	
K-2294		MAINSHAFT KIT	23119	1	1.75 SPLINE	
K-3859		COUNTERSHAFT BRG KIT	654166, 791943	1		
K-7041		REAR BRG COVER KIT	4302617	1		
K-7042		REAR BRG COVER KIT	4302618	1		
K-7062		SHIFT LEVER HSG KIT	233080 ,4302711 ,A - 6440	1	ALUMINUM HOUSING HIGH - LEVER HEIGHT 3-1/2"	
S-1643		SHIFT LEVER ASSY-HIGH		1		
S-1911		CASE ASSY	4300218	1		
S-1922		CASE ASSY	4300983	1	METRIC BOSS HOLES	
S-7032		NLA-REAR BRG COVER ASSY	23247 ,4301986	1		
S-7033		REAR BRG COVER ASSY	23341 ,4302023	1		
S-7034		REAR BRG COVER ASSY	21557 ,4302000	1		

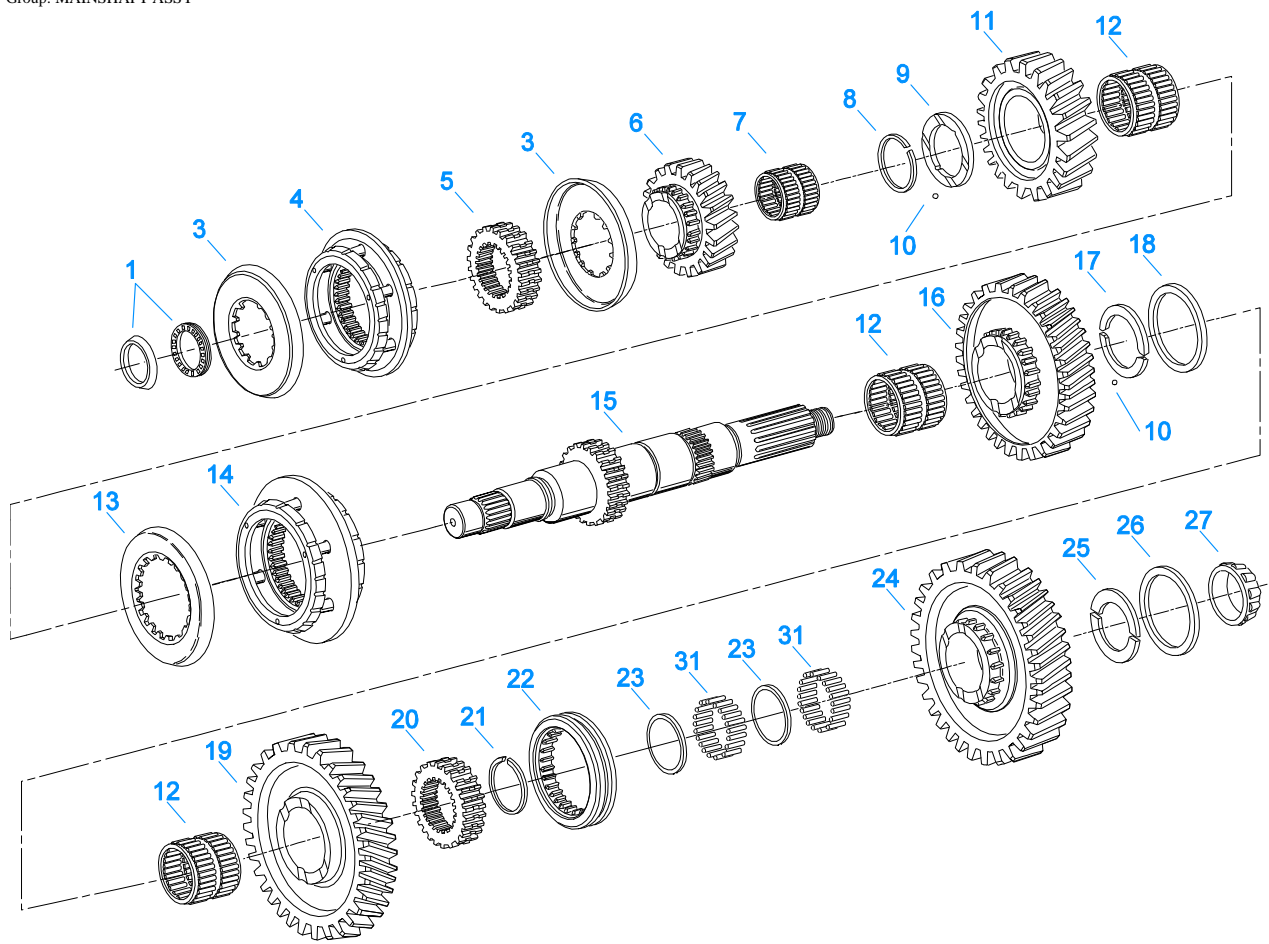


00170-8/93 Tur

### LEVER ASSY

Item	Current Part	Description	Replaced Part	Qty.	Notes	Kits/Assys Where Needed
1	K-7062	SHIFT LEVER HSG KIT	233080 ,4302711 ,A - 6440	1	ALUMINUM HOUSING HIGH - LEVER HEIGHT 3-1/2"	
2	201054	PIN		2	FOR HSGS WITHOUT PIN SLEEVES	
2	23180	PIN		2	FOR HSGS WITH PIN SLEEVES	K-7062,S-1643
3	4300690	SPRING	229337	1		S-1643
4	23181	WASHER		1		S-1643
5	228648	SHIFT LEVER		1	USE WITH K-7062 STRAIGHT LEVER - "BEND TO SUIT"	S-1643
6	202484	DUST COVER		1		S-1643
7	4301958	GASKET		1		K-2085,K-7062
8	X-8C-604	CAPSCREW		4	3/8"-16X1-1/4"	

Item	Current Part	Description	Replaced Part	Qty.	Notes	Kits/Assys Where Needed
9	201401	SHIFT KNOB		1	3/8"X24 THREAD	S-1643



00201-8/93 MS Tur

### MAINSHAFT ASSY

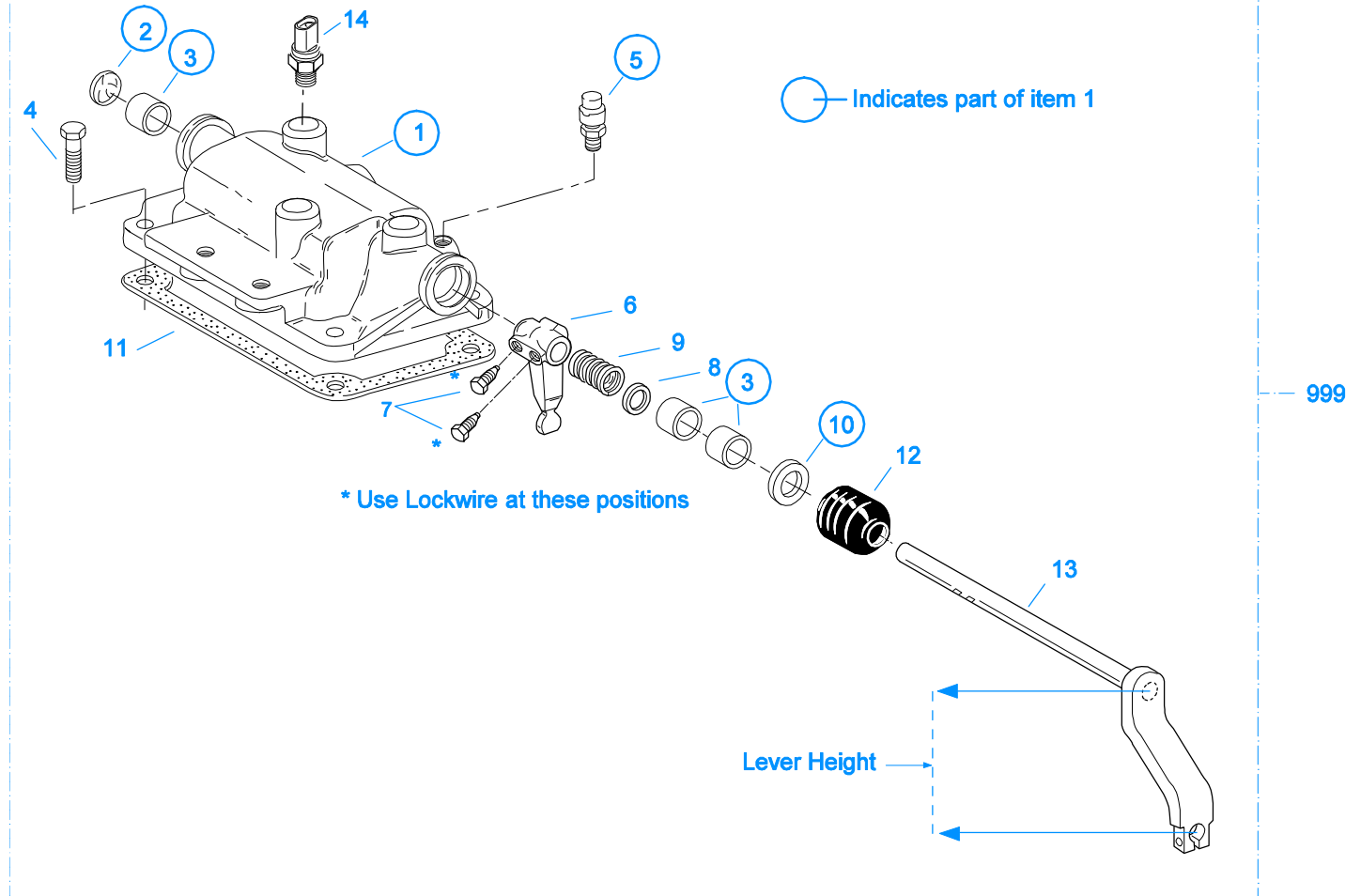
Item	Current Part	Description	Replaced Part	Qty.	Notes	Kits/Assys Where Needed
1	K-3704	BEARING & RACE KIT	235382 ,235383	1		
3	228296	SYNCHRONIZER CUP		2		K-2113
4	A-5401	SYNCHRONIZER ASSY 4/5		1		K-2113
5	23694	CLUTCH HUB 4/5	21635	1		K-2291,K-2293,K-2294
6	239347	4TH GEAR-MAINSHAFT		1		
7	239651	BEARING		1		K-2121,K-2122,K-2123
8	224069	SNAP RING		1		K-2132,K-2291,K-2293,K-2294
9	4303687	WASHER	23017	1		K-2132,K-2291,K-2293,K-2294
10	10J06	STEEL BALL		2	3/16"	K-2132
11	239346	3RD GEAR-MAINSHAFT		1		
12	239653	BEARING		3		K-2121,K-2122,K-2123
13	228306	SYNCHRONIZER CUP		1		K-2114
14	A-5693	SYNCHRONIZER ASSY 2/3	A - 5254 A - 5543	1		K-2114
15	23696	MAINSHAFT		1	1.96 SPLINE	K-2291
15	23697	MAINSHAFT		1	2.00 SPLINE	K-2293
15	23698	MAINSHAFT		1	1.75 SPLINE	K-2294
15	K-2291	MAINSHAFT KIT	23016	1	1.96 SPLINE	
15	K-2293	MAINSHAFT KIT	23118	1	2.00 SPLINE	
15	K-2294	MAINSHAFT KIT	23119	1	1.75 SPLINE	
16	235366	2ND GEAR-MAINSHAFT		1		
17	235378	SPLIT WASHER		2		K-2132
18	235379	RETAINER		1		K-2132
19	235365	REVERSE GEAR-MAINSHAFT		1		
20	235371	CLUTCH HUB 1/REV		1		

Item	Current Part	Description	Replaced Part	Qty.	Notes	Kits/Assys Where Needed
21	235372	SNAP RING		1		K-2132
22	235373	SLIDING CLUTCH		1		
23	235431	SPACER		2		K-2132
24	235364	1ST GEAR-MAINSHAFT		1		
25	235374	SPLIT WASHER		2		K-2132
26	235375	RETAINER		1		K-2132
27	237227	BEARING CONE		1		K-2121,K-2123
31	235376	BEARING		88		K-2121,K-2122,K-2123

## MISCELLANEOUS

Item	Current Part	Description	Replaced Part	Qty.	Notes	Kits/Assys Where Needed
71203		SILICONE LUBE		1	8 OZ (236.59 CC)-FLEET SIZE	
71204		ADHESIVE SEALANT		1	0.5 CC (SINGLE APPLICATION SIZE)	
71205		SEALANT		1	2 CC (SINGLE APPLICATION SIZE)	
71206		SILICONE LUBE		1	4 CC (SINGLE APPLICATION SIZE)	
71231		GASKET SEALANT		1	8 MILLILITER SIZE	
71232		THREAD ADHESIVE		1	10 MILLILITER SIZE	K-2121,K-2122,K-2123

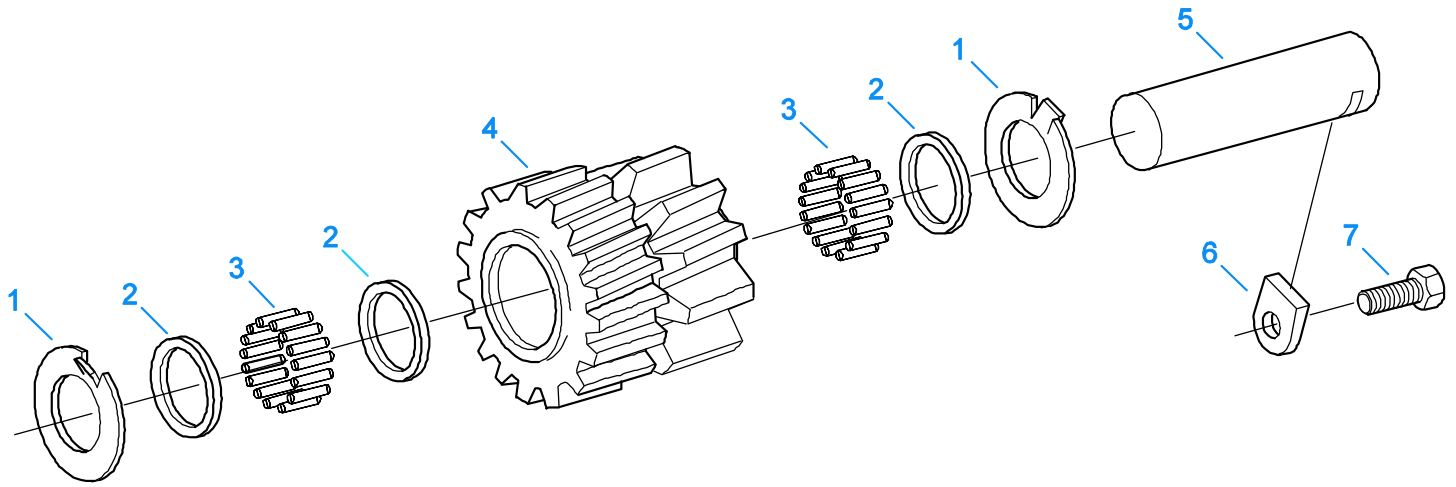
Group: REMOTE CONTROL



00151-2-94 RCH

## REMOTE CONTROL

Item	Current Part	Description	Replaced Part	Qty.	Notes	Kits/Assys Where Needed
1	3316284	CONTROL HOUSING ASSY	3316285	1		
1	3316308	CONTROL HOUSING ASSY	22115 3316309	1		A-5399,A-5795
2	12F100	PLUG 1"		1		
3	3312252	BUSHING		3		
4	X-8C-604	CAPSCREW		4	3/8"-16X1-1/4"	
5	3315948	BREATHER		1		
6	21775	INNER SHIFT LEVER		1		A-5399,A-5795
7	3315272	SCREW		2		A-5399,A-5795
8	3312745	WASHER		1		
9	3315837	SPRING		1		
10	3312225	OIL SEAL		1		
11	4301958	GASKET		1		K-2085,K-7062
12	3314302	BOOT		1		A-5399,A-5795
13	3316288	NO LONGER AVAILABLE		1	LEVER HEIGHT 5-1/8"	
13	A-5273	SHAFT & LEVER ASSY		1	LEVER HEIGHT 3-3/4"	A-5399
13	A-5797	NO LONGER AVAILALBE		1		A-5795
999	A-5399	M/R SLAVE CONTROL ASSY		1	LEVER HEIGHT 3-3/4"	
999	A-5795	NO LONGER AVAILABLE		1		

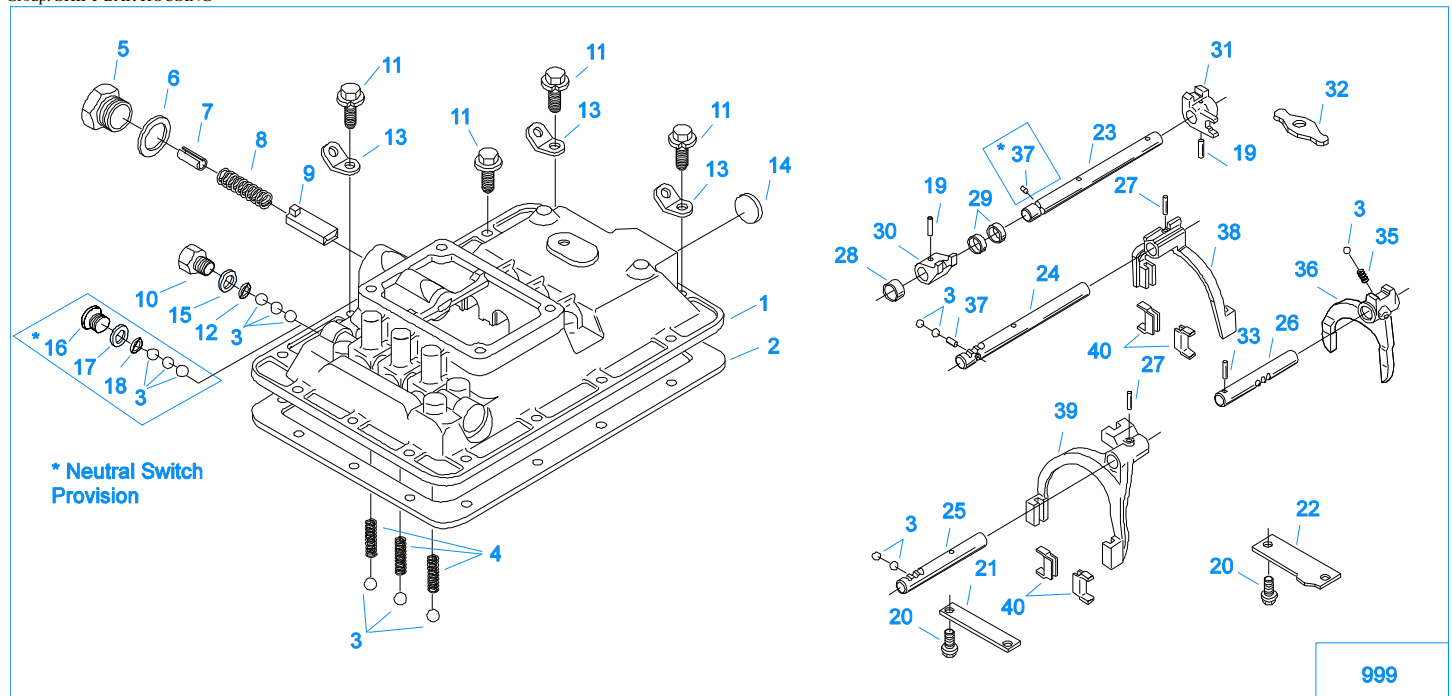


00451-5/93

### REVERSE IDLER GEAR ASSY

Item	Current Part	Description	Replaced Part	Qty.	Notes	Kits/Assys Where Needed
1	240023	WASHER		2		K-2132
2	235413	SPACER		3		K-2132
3	235412	BEARING		52		K-2121,K-2122,K-2123
4	235392	IDLER GEAR		1		
5	203609	IDLER SHAFT		1		
6	201929	SHAFT LOCK		1		
7	X-8C-600	CAPSCREW	239611	1	3/8"-16X1"	





00101-6/93 SBH 52

999

## SHIFT BAR HOUSING

Item	Current Part	Description	Replaced Part	Qty.	Notes	Kits/Assys Where Needed
1	A-6535	SHIFT BAR HSG ASSY	235626 ,4302945	1	HOUSING ONLY REVERSE SWITCH POSITION - RIGHT FRONT	
2	228330	GASKET		1		K-2085
3	10J14	STEEL BALL		11	7/16"	
4	4303939	SPRING	201045	3		
5	235621	PLUG 1"		1		
6	235622	GASKET		1		
7	235620	SPACER		1		
8	3316218	SPRING		1		
9	235619	PLUNGER		1		
10	235052	CA PLUG		1	9/16 - 18	
10	4303656	PLUG	15917	1	9/16 - 18, THREADED	
11	X-8C-600	CAPSCREW	239611	14	3/8"-16X1"	
13	238370	LIFTING EYE		3		
14	5879	NO LONGER AVAILABLE		1		
15	15900	GASKET		1		K-2085
19	14J1818	PIN		2		
20	233043	CAPSCREW		4	3/8"-16X1"	
21	4301277	SHIFT BAR RETAINER		1	FRONT	
22	235609	SHIFT BAR RETAINER		1	REAR	
23	235610	YOKE BAR 1ST/REV		1		
24	21659	YOKE BAR 2ND/3RD		1		
25	21658	YOKE BAR 4TH/5TH		1		
26	4304465	YOKE BAR 1ST/REV		1		K-3389
26	K-3389	CLUTCH/BAR REPL KIT	235607 ,4301712	1		
27	14J1818	PIN		2		
28	204756	SPACER		1	FRONT	
29	233384	SPACER		2	REAR	
30	235613	SHIFT BLOCK 1ST/REV		1		
31	235618	REVERSE BLOCK		1		
32	235426	ACTUATOR		1		
33	106358	PIN		1		
35	206641	SPRING		1		
36	235606	YOKE 1ST/REV		1		
37	201044	PIN		1		
38	A-5212	NO LONGER AVAILABLE	21660 ,228322	1		
39	228324	NO LONGER AVAILABLE	228325	1		
40	227675	INSERT - YOKE PAD		4		A-5212,K-2132

Item	Current Part	Description	Replaced Part	Qty.	Notes	Kits/Assys Where Needed
999	S-7012	NO LONGER AVAILABLE	235626	1		