



## Eaton Fuller FS-5406A Transmission Parts Manual

This is Eaton Fuller FS-5406A Transmission parts manual brought to you by Pro Gear and Transmission to assist you identifying the parts for your Eaton / Fuller transmission unit.

If you need any assistance identifying the correct Eaton / Fuller unit for your truck and equipment, contact your Eaton replacement parts specialists at Pro Gear and Transmission.


Pro Gear stocks every part for your Eaton transmission including: Valve Assemblies, Synchronizers, Yoke Assemblies, O-Ring Kits, Drive Gears, Gaskets, Bearing and Seal Kits, and much more.


Pro Gear and Transmission has same day shipping and thousands of products in stock and ready to ship internationally for your next project.

For parts or service contact the Eaton transmission specialists at Pro Gear & Transmission, Inc.

 CALL US

 EMAIL US

 VISIT MODEL PAGE

 VISIT ONLINE STORE



**Roadranger®**

More time on the road®

# Illustrated Parts List

---

**FS-5406A**  
**July 2011**

# Contents

|   |    |
|---|----|
| How To Use The Illustrated Parts List ..... | 3  |
| CASE.....                                   | 4  |
| COUNTERSHAFT ASSY .....                     | 7  |
| INPUT SHAFT.....                            | 8  |
| KITS & ASSEMBLIES .....                     | 9  |
| LEVER ASSY .....                            | 10 |
| MAINSHAFT ASSY.....                         | 12 |
| MISCELLANEOUS .....                         | 14 |
| REMOTE CONTROL.....                         | 15 |
| REVERSE IDLER GEAR ASSY .....               | 17 |
| SHIFT BAR HOUSING .....                     | 18 |

## How To Use The Illustrated Parts List

The information contained in this document is subject to frequent updates. Therefore, for the latest information available, please visit the interactive Electronic Parts Catalog at [www.roadranger.com/epc](http://www.roadranger.com/epc).

### Model Designation or Nomenclature

- For information regarding Model Designation and Nomenclature, visit [www.roadranger.com](http://www.roadranger.com).

### Kits and Assemblies (K/A's)

- Kits and Assemblies contain groups of individual or assembled parts developed for optimal replacement or repair of a service problem.
- Kits and Assemblies are shown with applicable parts groupings in the parts listings.

### Identifying Kits and Assemblies

A- Part numbers beginning with the letter 'A' are pre-assembled Production Assemblies

K- Part numbers beginning with the letter 'K' are kits that are not assembled

S- Part numbers beginning with the letter 'S' are pre-assembled Service Assemblies

- Note: Some Production Assemblies do not begin with a letter prefix (Midrange only).

### Illustrations

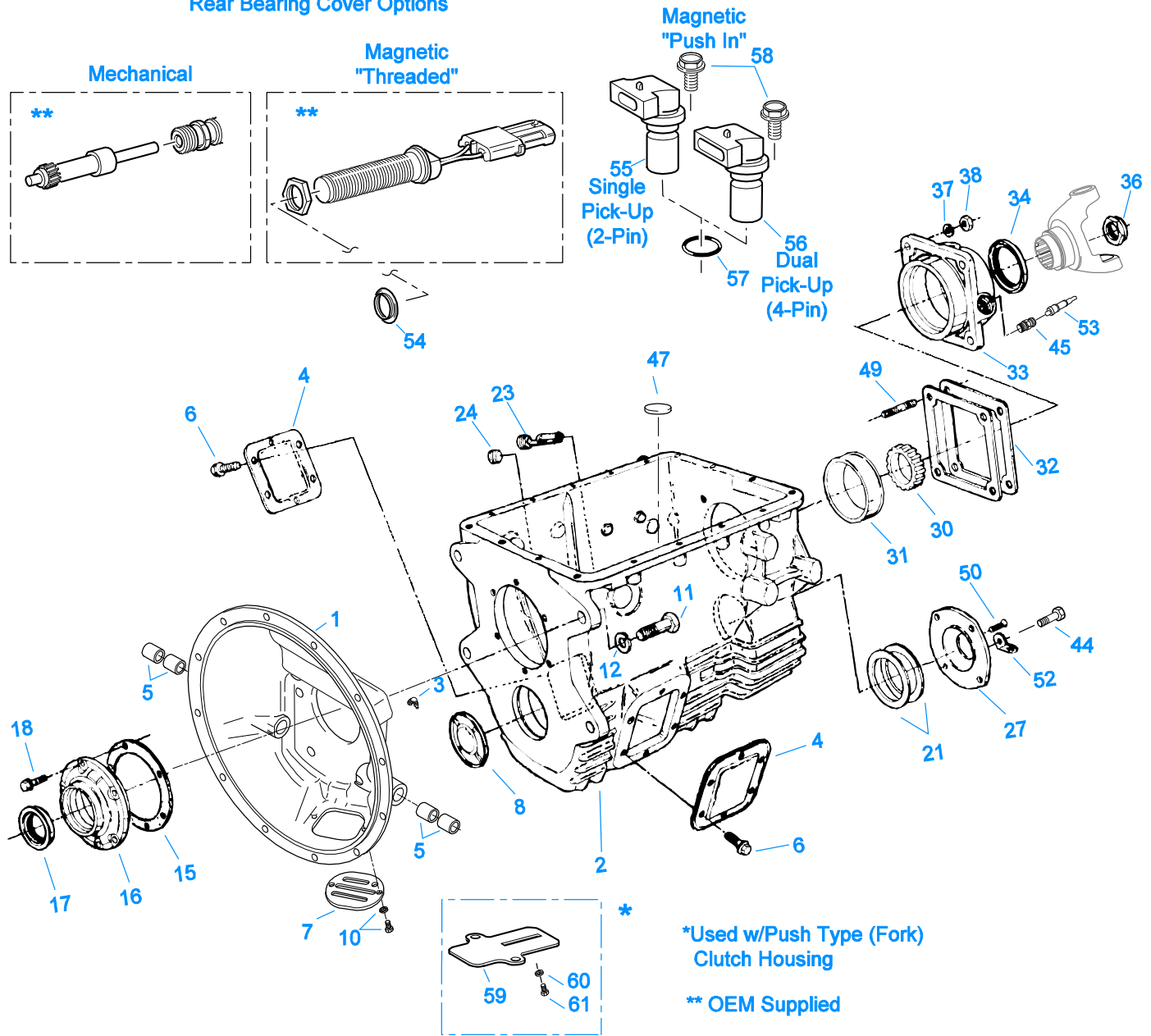
- Illustrations show parts in assembly groups.
- Item numbers on illustrations correspond with parts listings on pages adjacent to the illustration.
- Notes are included on illustrations where additional information is needed.

### Parts Listing

Parts listings are defined by parts groupings and are broken down by service assemblies. Parts listings identify a part for servicing with the following categories

- **Item Number** - corresponding with numbers on illustrations for part identification.
- **Current Part** - identifies part as it is available for service.
- **Description** - specifies part name or description.
- **Replaced Part** - quantity quantity required for assembly.
- **Quantity** - defines unique characteristics or requirements.
- **Notes** - indicates Kits or Assemblies that contain a particular part.
- **Kits/Assy's Where Used**

Rear Bearing Cover Options



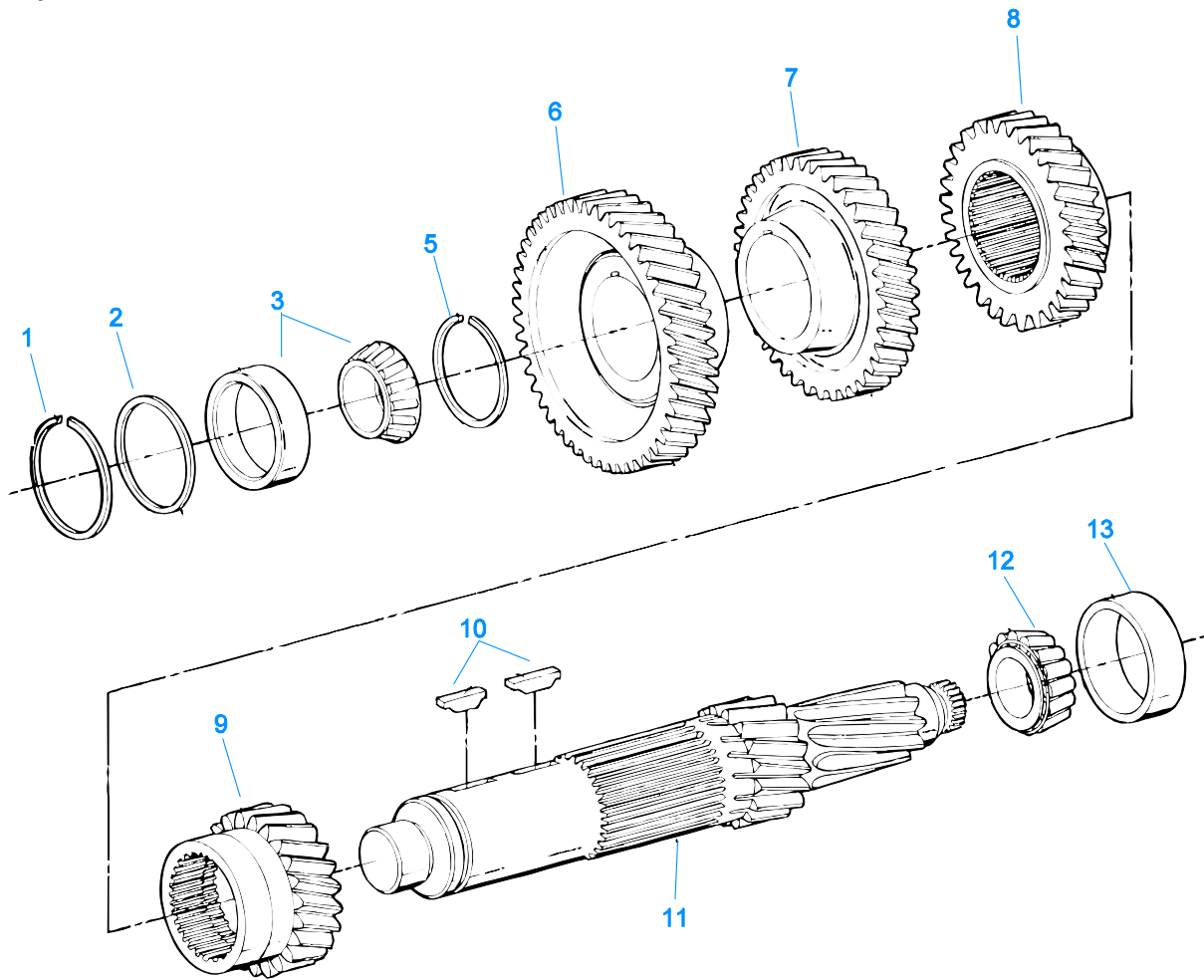
00184-8-99

**CASE**

| Item | Current Part | Description       | Replaced Part                               | Qty. | Notes                                    | Kits/Assys Where Needed |
|------|--------------|-------------------|---|------|--|-------------------------|
| 1    | A-5205       | CLUTCH HSG ASSY   | 21646                                       | 1    | #2 ALUMINUM, BELOW CENTER LINE PUSH TYPE |                         |
| 1    | A-5631       | CLUTCH HSG ASSY   | 23723                                       | 1    | #2 PULL-IRON, W/90 DEG FITTINGS          |                         |
| 1    | A-5634       | CLUTCH HSG ASSY   | 23726 ,3316236 ,3316237 ,A - 5632 ,A - 5771 | 1    | #2 ALUMINUM, ABOVE CENTER LINE PULL TYPE |                         |
| 1    | A-5751       | CLUTCH HSG ASSY   | 4300418                                     | 1    | #2 ALUMINUM, BELOW CENTER LINE PUSH TYPE |                         |
| 1    | A-5878       | CLUTCH HSG ASSY   | 4300744                                     | 1    | #2 PULL-ALUMINUM                         |                         |
| 1    | A-6228       | CLUTCH HSG ASSY   | 23723                                       | 1    | #2 PULL-IRON, W/45 DEG FITTINGS          |                         |
| 1    | A-7514       | CLUTCH HSG ASSY   | 3316241                                     | 1    | #2 ALUMINUM, PUSH TYPE (FORK)            |                         |
| 2    | S-2952       | CASE ASSY         | 3316276 ,4301285 ,4304643 ,4305177          | 1    |  |                         |
| 3    | 4300301      | FITTING-45 DEGREE | 11H15                                       | 2    |  |                         |
| 3    | 4872         | FITTING-90 DEGREE | 12H15                                       | 2    |  |                         |

| Item | Current Part | Description          | Replaced Part           | Qty. | Notes   | Kits/Assys Where Needed                   |
|------|--------------|----------------------|-------------------------|------|---|---|
| 4    | 201398       | PTO COVER            |                         | 2    |   |   |
| 5    | 12815        | BUSHING              |                         | 4    |   | A-5631,A-5634,A-5751,A-5878,A-6228        |
| 5    | 8677         | BUSHING              |                         | 2    | USE W/A-5205 CLUTCH HSG ASSY                          | A-5205                                    |
| 6    | 239613       | CAPSCREW             |                         | 12   | 3/8"-16X5/8"  |   |
| 7    | 23380        | COVER                | 206466                  | 1    |   | A-5205,A-5631,A-5634,A-5751,A-5878,A-7514 |
| 8    | 3315679      | PLUG                 |                         | 1    |   | K-3423                                    |
| 10   | X-8L-408     | SCREW & WASHER ASSY  |                         | 2    |   |   |
| 11   | X-8-1011     | CAPSCREW             | 1C1036                  | 4    | 5/8"-11X2-1/4"  |   |
| 12   | X-3-1000     | LOCKWASHER           |                         | 4    | 5/8"  |   |
| 15   | 3315659      | GASKET               |                         | 1    |   | K-7028                                    |
| 16   | 21893        | FRONT BRG COVER-PUSH |                         | 1    | USE 4300798 OIL SEAL                                  |   |
| 16   | 21982        | FRONT BRG COVER-PUSH |                         | 1    | USE 4300798 OIL SEAL                                  |   |
| 16   | 3316313      | FRONT BRG COVER-PUSH |                         | 1    | USE 4300798 OIL SEAL                                  |   |
| 16   | 4300650      | FRONT BRG COVER-PUSH |                         | 1    | USE 4300204 OIL SEAL                                  |   |
| 16   | 4300887      | FRONT BRG COVER-PUSH |                         | 1    | USE 4300204 OIL SEAL                                  |   |
| 16   | 4300888      | FRONT BRG COVER-PULL |                         | 1    | USE 4300121 OR 4300204 OIL SEAL                       |   |
| 16   | 4301144      | FRONT BRG COVER-PULL |                         | 1    | USE 4300121 OIL SEAL                                  |   |
| 16   | 4302356      | FRONT BRG COVER-PULL |                         | 1    | USE 4300121 OR 4300204 OIL SEAL                       |   |
| 17   | 4300121      | OIL SEAL             | 3315623                 | 1    | SHAFT 1.873, WIDTH .375, OD 2.68                      | K-3423                                    |
| 17   | 4300204      | OIL SEAL             | 235394                  | 1    | SHAFT 1.873, WIDTH .375                               |   |
| 17   | 4300798      | OIL SEAL             | 235393                  | 1    | SHAFT 1.625, WIDTH .375                               |   |
| 18   | 239614       | SCREW                |                         | 6    | 5/16-18X.81   |   |
| 21   | 3315681      | SHIM .004            |                         | 1    | QUANTITY AS REQUIRED                                  | K-2183                                    |
| 21   | 3315682      | SHIM .007            |                         | 1    | QUANTITY AS REQUIRED                                  | K-2183                                    |
| 21   | 3315683      | SHIM .010            |                         | 1    | QUANTITY AS REQUIRED                                  | K-2183                                    |
| 21   | 3315684      | SHIM .020            |                         | 1    | QUANTITY AS REQUIRED                                  | K-2183                                    |
| 21   | 4300977      | SHIM .040            |                         | 1    |   |   |
| 23   | X-12-1207    | PIPE PLUG            | X12 1202 X12 1206       | 1    | 3/4" MAGNETIC   |   |
| 24   | X-12-1210    | PIPE PLUG            | X12 1206                | 1    |   |   |
| 27   | 4301607      | C/S REAR BRG COVER   |                         | 1    |   |   |
| 30   | 3316160      | SPEEDO ROTOR         |                         | 1    | 16 TEETH  |   |
| 30   | 3316283      | SPEEDO DRIVE GEAR    |                         | 1    | 6 TEETH   |   |
| 30   | 4300003      | SPEEDO ROTOR         |                         | 1    | 6 TEETH   |   |
| 30   | 86302        | SPEEDO DRIVE GEAR    |                         | 1    | 5 TEETH   |   |
| 30   | 86310        | NO LONGER AVAILABLE  |                         | 1    | 6 TEETH   |   |
| 31   | 711123       | BEARING CUP          |                         | 1    |   | K-3423                                    |
| 32   | 3315662      | SHIM .004            |                         | 1    | QUANTITY AS REQUIRED                                  | K-2183                                    |
| 32   | 3315663      | SHIM .007            |                         | 1    | QUANTITY AS REQUIRED                                  | K-2183                                    |
| 32   | 3315664      | SHIM .010            |                         | 1    | QUANTITY AS REQUIRED                                  | K-2183                                    |
| 32   | 3315665      | SHIM .020            |                         | 1    | QUANTITY AS REQUIRED                                  | K-2183                                    |
| 32   | 4300978      | SHIM .040            |                         | 1    |   |   |
| 33   | 21901        | NO LONGER AVAILABLE  |                         | 1    | USE 4300119 OIL SEAL                                  |   |
| 33   | 21947        | REAR BRG COVER       |                         | 1    | USE 4300119 OIL SEAL                                  |   |
| 33   | 22020        | REAR BRG COVER       |                         | 1    | USE 4300119 OIL SEAL                                  |   |
| 33   | 3316278      | REAR BRG COVER       |                         | 1    | USE 4300119 OIL SEAL                                  |   |
| 33   | K-7044       | REAR BRG COVER KIT   | 4302620                 | 1    | USE 4300119 OIL SEAL NOTE: PUSH-IN TYPE SPEEDO SENSOR |   |
| 33   | K-7045       | REAR BRG COVER KIT   | 4302621                 | 1    | USE 4300119 OIL SEAL NOTE: PUSH-IN TYPE SPEEDO SENSOR |   |
| 33   | S-7035       | REAR BRG COVER ASSY  | 23248 ,4301987          | 1    | USE 4300119 OIL SEAL NOTE: SENSOR SEAL REQUIRED       |   |
| 33   | S-7036       | REAR BRG COVER ASSY  | 21979 ,4302005          | 1    | USE 4300119 OIL SEAL NOTE: SENSOR SEAL REQUIRED       |   |
| 33   | S-7037       | REAR BRG COVER ASSY  | 3315657 ,4302029        | 1    | USE 4300119 OIL SEAL NOTE: SENSOR SEAL REQUIRED       |   |
| 33   | S-7038       | REAR BRG COVER ASSY  | 4300746 ,4302100        | 1    | USE 4300119 OIL SEAL NOTE: SENSOR SEAL REQUIRED       |   |
| 34   | 4300119      | OIL SEAL             |                         | 1    | SHAFT 2.753, WIDTH .5                                 | K-3423                                    |
| 36   | K-3411       | NUT KIT              | 21937 ,4301920 ,4304690 | 1    |   |   |
| 37   | 239436       | WASHER               |                         | 4    | 1/2"  |   |
| 38   | 86D8         | NUT                  | 86D08                   | 4    | 1/2"-20   |   |
| 44   | X-8C-604     | CAPSCREW             |                         | 4    | 3/8"-16X1-1/4"  |   |
| 45   | 3316225      | SLEEVE               |                         | 1    |   |   |
| 45   | 86147        | SLEEVE               |                         | 1    |   |   |
| 47   | 14373        | MAGNET               |                         | 1    |   | S-2952                                    |
| 49   | 239433       | STUD                 |                         | 4    | 1/2"-20X2-5/16"                                       |   |
| 50   | X-12-405     | PIPE PLUG            |                         | 1    |   |   |
| 52   | 238370       | LIFTING EYE          |                         | 1    |   |   |
| 53   | 86303        | SPEEDO DRIVEN GEAR   |                         | 1    | 15 TEETH  |   |

| Item | Current Part | Description               | Replaced Part      | Qty. | Notes                                | Kits/Assys Where Needed     |
|------|--------------|---------------------------|--------------------|------|--------------------------------------|-----------------------------|
| 53   | 86304        | NO LONGER AVAILABLE       |                    | 1    | 15 TEETH                             |                             |
| 53   | 86309        | NO LONGER AVAILABLE       |                    | 1    | 12 TEETH                             |                             |
| 53   | 86316        | NO LONGER AVAILABLE       |                    | 1    | 13 TEETH                             |                             |
| 54   | 4301954      | SENSOR SEAL               |                    | 1    |                                      | S-7035,S-7036,S-7037,S-7038 |
| 55   | K-3454       | SPEED SENSOR KIT          | A - 6398 ,A - 6724 | 1    | SINGLE PICK-UP (2 PIN)               |                             |
| 56   | K-3455       | SPEED SENSOR KIT,<br>DUAL | A - 7046 ,A - 7518 | 1    | DUAL PICK-UP (4 PIN)                 |                             |
| 57   | 14142        | -O- RING                  |                    | 1    |                                      | K-7044,K-7045               |
| 58   | X-8C-409     | CAPSCREW                  |                    | 1    | 1/4"-20X5/8" RETAINER FOR<br>SENSORS |                             |
| 59   | 23639        | COVER                     |                    | 1    | USED ON LEFT OR RIGHT SIDE           |                             |
| 60   | X-3-400      | LOCKWASHER                | 4E04               | 2    | 1/4"                                 |                             |
| 61   | 1C408        | CAPSCREW                  |                    | 2    | 1/4"-20                              |                             |

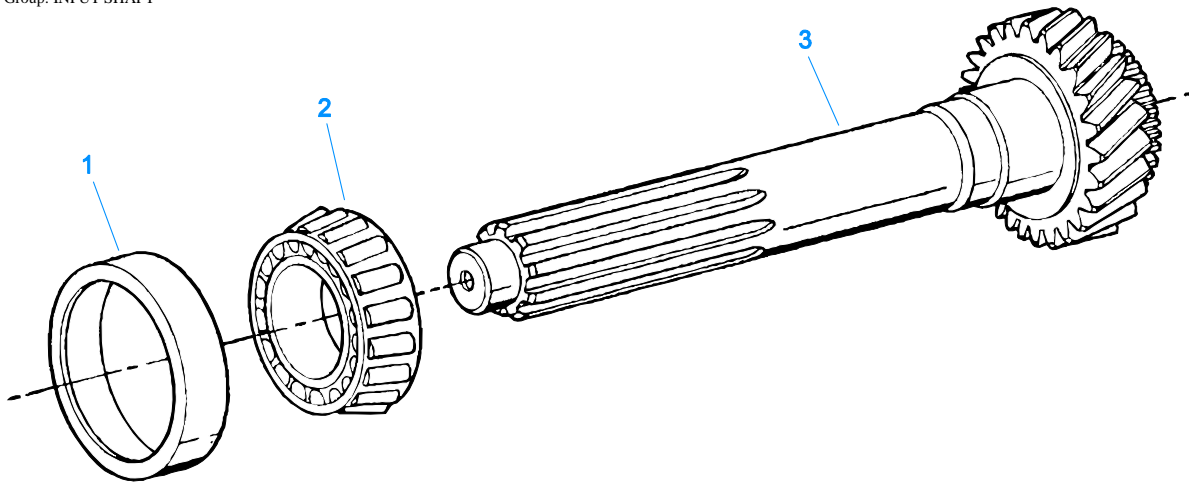


00303-8/93 CS 53

### COUNTERSHAFT ASSY

| Item | Current Part | Description          | Replaced Part   | Qty. | Notes | Kits/Assys Where Needed |
|------|--------------|----------------------|-----------------|------|-------|-------------------------|
| 1    | 3315686      | SNAP RING            |                 | 1    |       |                         |
| 2    | 3315687      | WASHER               |                 | 1    |       | K-3422,K-3423           |
| 3    | K-3795       | COUNTERSHAFT BRG KIT | 1313645, 791943 | 1    |       | K-3422                  |
| 5    | 3315752      | SNAP RING            | 3315751         | 1    |       |                         |
| 6    | 3315743      | DRIVE GEAR-CNTRSHFT  |                 | 1    |       |                         |
| 7    | 4301478      | 5TH GEAR-CNTRSHFT    |                 | 1    |       |                         |
| 8    | 4304097      | 4TH GEAR-CNTRSHFT    | 4304099         | 1    |       |                         |
| 9    | 4304056      | 3RD GEAR-CNTRSHFT    | 4304062         | 1    |       |                         |
| 10   | 230292       | KEY                  |                 | 2    |       | K-3422                  |
| 11   | 4303238      | COUNTERSHAFT         | 3315740         | 1    |       |                         |
| 12   | 658981       | BEARING CONE         |                 | 1    |       | K-3423                  |
| 13   | 660181       | BEARING CUP          |                 | 1    |       | K-3423                  |





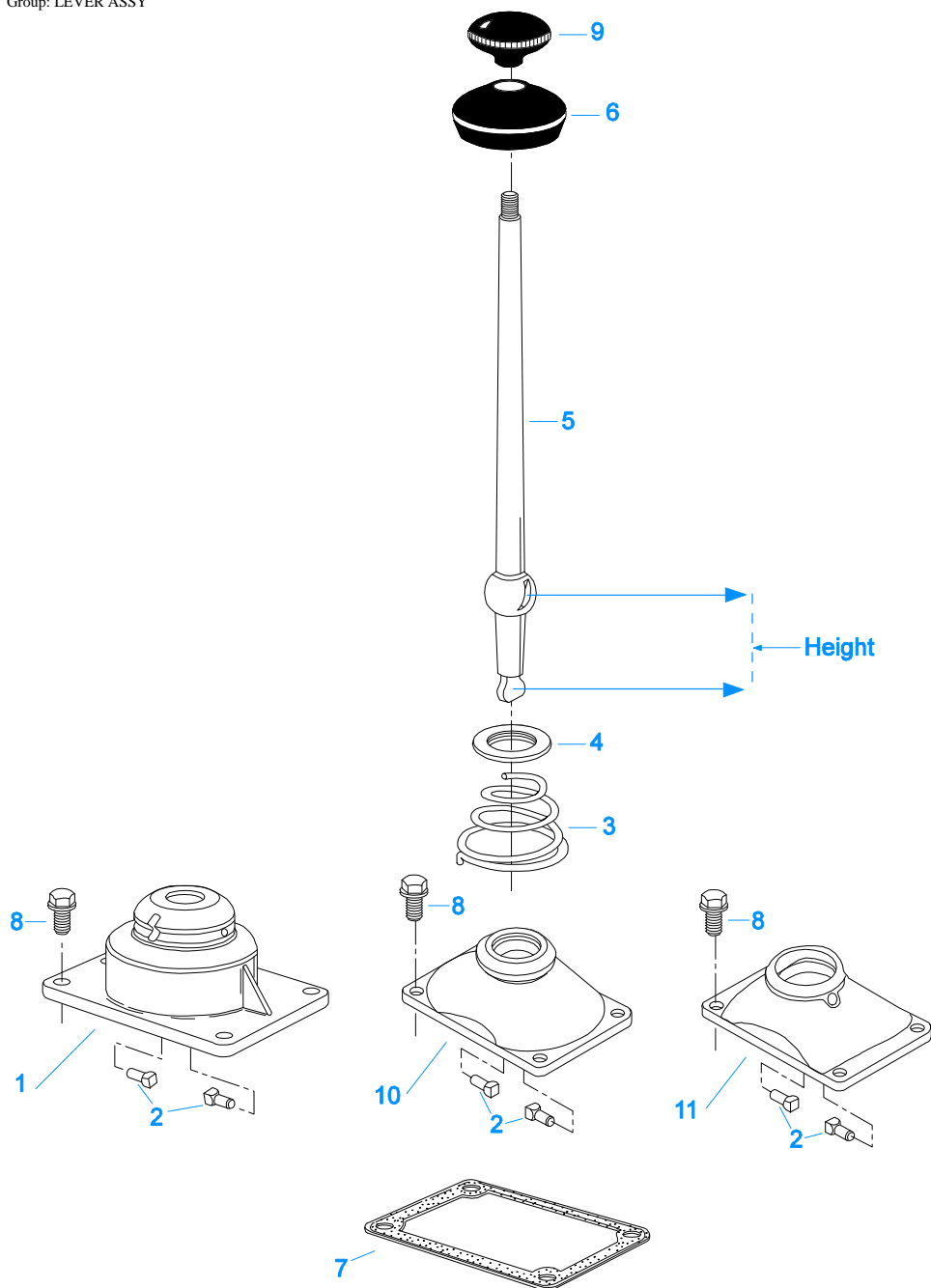
00401-8/93 IS 62

## INPUT SHAFT

| Item | Current Part | Description            | Replaced Part | Qty. | Notes   | Kits/Assys Where Needed |
|------|--------------|------------------------|---------------|------|---|-------------------------|
| 1    | 675250       | BEARING CUP            |               | 1    | 1.75" INPUT                                     | K-3423                  |
| 1    | 711123       | BEARING CUP            |               | 1    | 1.50" INPUT                                     | K-3423                  |
| 2    | 5557003      | BEARING CONE           | 5202047       | 1    | 1.50" INPUT                                     | K-3423                  |
| 2    | 742259       | BEARING CONE           |               | 1    | 1.75" INPUT                                     | K-3423                  |
| 3    | 4301402      | INPUT SHAFT-1.50" PULL |               | 1    | USE 21893 FRONT BRG COVER                       |                         |
| 3    | 4301403      | INPUT SHAFT-1.75" PULL |               | 1    | USE 3316171, 4300888 OR 4301144 FRONT BRG COVER |                         |
| 3    | 4301404      | INPUT SHAFT-1.50       |               | 1    | USE 21982 FRONT BRG COVER                       |                         |
| 3    | 4301408      | INPUT SHAFT-1.50" PUSH |               | 1    | USE 3316313 FRONT BRG COVER                     |                         |
| 3    | 4301409      | INPUT SHAFT-1.50" PULL |               | 1    | USE 4300650 FRONT BRG COVER                     |                         |
| 3    | 4301485      | INPUT SHAFT-1.75" PULL |               | 1    | USE 3316171 OR 4301144 FRONT BRG COVER          |                         |

## KITS & ASSEMBLIES

| Item   | Current Part | Description             | Replaced Part                         | Qty. | Notes  | Kits/Assys Where Needed |
|--------|--------------|-------------------------|---------------------------------------|------|--|-------------------------|
| K-2183 |              | SHIM KIT                |                                       | 1    |  |                         |
| K-3411 |              | NUT KIT                 | 21937 ,4301920<br>,4304690            | 1    |  | K-3423                  |
| K-3421 |              | SYNCHRONIZER KIT        | K - 7004                              | 1    |  |                         |
| K-3422 |              | SMALL PARTS KIT         |                                       | 1    |  |                         |
| K-3423 |              | BASIC REBUILD KIT       |                                       | 1    |  |                         |
| K-3795 |              | COUNTERSHAFT BRG KIT    | 1313645, 791943                       | 1    |  |                         |
| K-7028 |              | GASKET KIT              |                                       | 1    |  | K-3423                  |
| K-7044 |              | REAR BRG COVER KIT      | 4302620                               | 1    |  |                         |
| K-7045 |              | REAR BRG COVER KIT      | 4302621                               | 1    |  |                         |
| K-7051 |              | SYNCHRONIZER KIT -3/4   |                                       | 1    |  |                         |
| K-7061 |              | SHIFT LEVER HSG KIT     | 241075 ,4302711 ,A -<br>6439          | 1    | ALUMINUM HOUSING MEDIUM -<br>LEVER HEIGHT 3-1/8"   |                         |
| K-7062 |              | SHIFT LEVER HSG KIT     | 233080 ,4302711 ,A -<br>6440          | 1    | ALUMINUM HOUSING HIGH -<br>LEVER HEIGHT 3-1/2"   |                         |
| K-7065 |              | SHIFT LEVER HSG KIT     | 4302704 ,4302711 ,A -<br>6448         | 1    | ALUMINUM HOUSING LOW -<br>LEVER HEIGHT 2-7/8"  |                         |
| K-7069 |              | REMOTE CONTROL KIT      | A - 5403                              | 1    | LEVER HEIGHT 85MM (3.35")  |                         |
| S-1578 |              | SHIFT LEVER ASSY 3-1/2" |                                       | 1    | COMPLETE ASSY - ALUMINUM<br>HOUSING HIGH - LEVER HEIGHT 3-<br>1/2" 27-1/2" STRAIGHT LEVER -<br>"BEND TO SUIT" 3/8" X 24 THREAD     |                         |
| S-1827 |              | SHIFT LEVER ASSY 3-1/8" | S-7079                                | 1    | COMPLETE ASSY - ALUMINUM<br>HOUSING MEDIUM - LEVER<br>HEIGHT 3-1/8" 27-1/2" STRAIGHT<br>LEVER - "BEND TO SUIT" 3/8" X 24<br>THREAD |                         |
| S-2861 |              | SHIFT BAR HSG ASSY      | 4303606                               | 1    | COMPLETE REVERSE SWITCH<br>POSITION - RIGHT FRONT  |                         |
| S-2952 |              | CASE ASSY               | 3316276 ,4301285<br>,4304643 ,4305177 | 1    |  |                         |
| S-7035 |              | REAR BRG COVER ASSY     | 23248 ,4301987                        | 1    |  |                         |
| S-7036 |              | REAR BRG COVER ASSY     | 21979 ,4302005                        | 1    |  |                         |
| S-7037 |              | REAR BRG COVER ASSY     | 3315657 ,4302029                      | 1    |  |                         |
| S-7038 |              | REAR BRG COVER ASSY     | 4300746 ,4302100                      | 1    |  |                         |
| S-7045 |              | SHIFT LEVER ASSY 2-7/8" |                                       | 1    | COMPLETE ASSY - ALUMINUM<br>HOUSING LOW - LEVER HEIGHT 2-<br>7/8" 33" STRAIGHT LEVER - "BEND<br>TO SUIT" 3/8" X 24 THREAD          |                         |

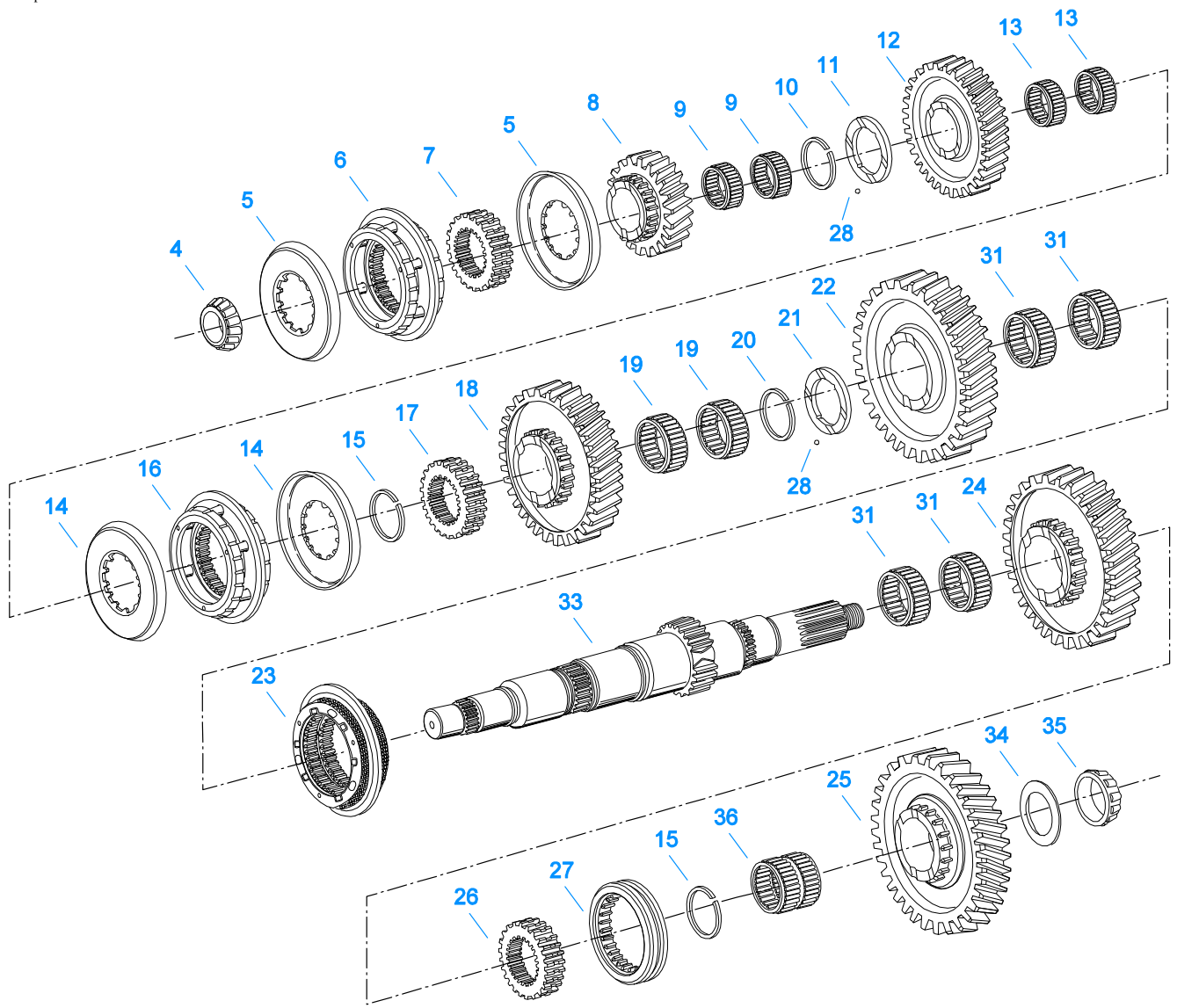


00171-3-94 LA

## LEVER ASSY

| Item | Current Part | Description         | Replaced Part             | Qty. | Notes   | Kits/Assys Where Needed                   |
|------|--------------|---------------------|---------------------------|------|---|---|
| 1    | K-7062       | SHIFT LEVER HSG KIT | 233080 ,4302711 ,A - 6440 | 1    | ALUMINUM HOUSING HIGH - LEVER HEIGHT 3-1/2"     |   |
| 2    | 201054       | PIN                 |                           | 2    | FOR HSGS WITHOUT PIN SLEEVES                    |   |
| 2    | 23180        | PIN                 |                           | 2    | FOR HSGS WITH PIN SLEEVES                       | K-7061,K-7062,K-7065,S-1578,S-1827,S-7045 |
| 3    | 4300690      | SPRING              | 229337                    | 1    |   | S-1578,S-1827,S-7045                      |
| 4    | 23181        | WASHER              |                           | 1    |   | S-1578,S-1827,S-7045                      |
| 5    | 21722        | SHIFT LEVER 27-1/2" |                           | 1    | USE WITH K-7062 STRAIGHT LEVER - "BEND TO SUIT" | S-1578                                    |
| 5    | 228648       | GEAR SHIFT LEVER    |                           | 1    | USE WITH 233080 STRAIGHT LEVER - "BEND TO SUIT" |   |

| Item | Current Part | Description         | Replaced Part              | Qty. | Notes   | Kits/Assys Where Needed                                 |
|------|--------------|---------------------|----------------------------|------|---|---|
| 5    | 241076       | SHIFT LEVER 27-1/2" |                            | 1    | USE WITH K-7061 STRAIGHT LEVER - "BEND TO SUIT" | S-1827  |
| 5    | 4302823      | SHIFT LEVER 33"     |                            | 1    | USE WITH A-6448 STRAIGHT LEVER - "BEND TO SUIT" | S-7045  |
| 6    | 202484       | DUST COVER          |                            | 1    |   | S-1578,S-1827,S-7045                                    |
| 7    | 4301958      | GASKET              |                            | 1    |   | K-7028,K-7061,K-7062,K-7065,K-7069,S-1578,S-1827,S-7045 |
| 8    | X-8C-604     | CAPSCREW            |                            | 4    | 3/8"-16X1-1/4"                                  |   |
| 9    | 201401       | SHIFT KNOB          |                            | 1    | 3/8"X24 THREAD                                  | S-1578,S-7045   |
| 10   | K-7061       | SHIFT LEVER HSG KIT | 241075 ,4302711 ,A - 6439  | 1    | ALUMINUM HOUSING MEDIUM - LEVER HEIGHT 3-1/8"   |   |
| 11   | K-7065       | SHIFT LEVER HSG KIT | 4302704 ,4302711 ,A - 6448 | 1    | ALUMINUM HOUSING LOW - LEVER HEIGHT 2-7/8"      |   |



00207-8-99 MS 64

**MAINSHAFT ASSY**

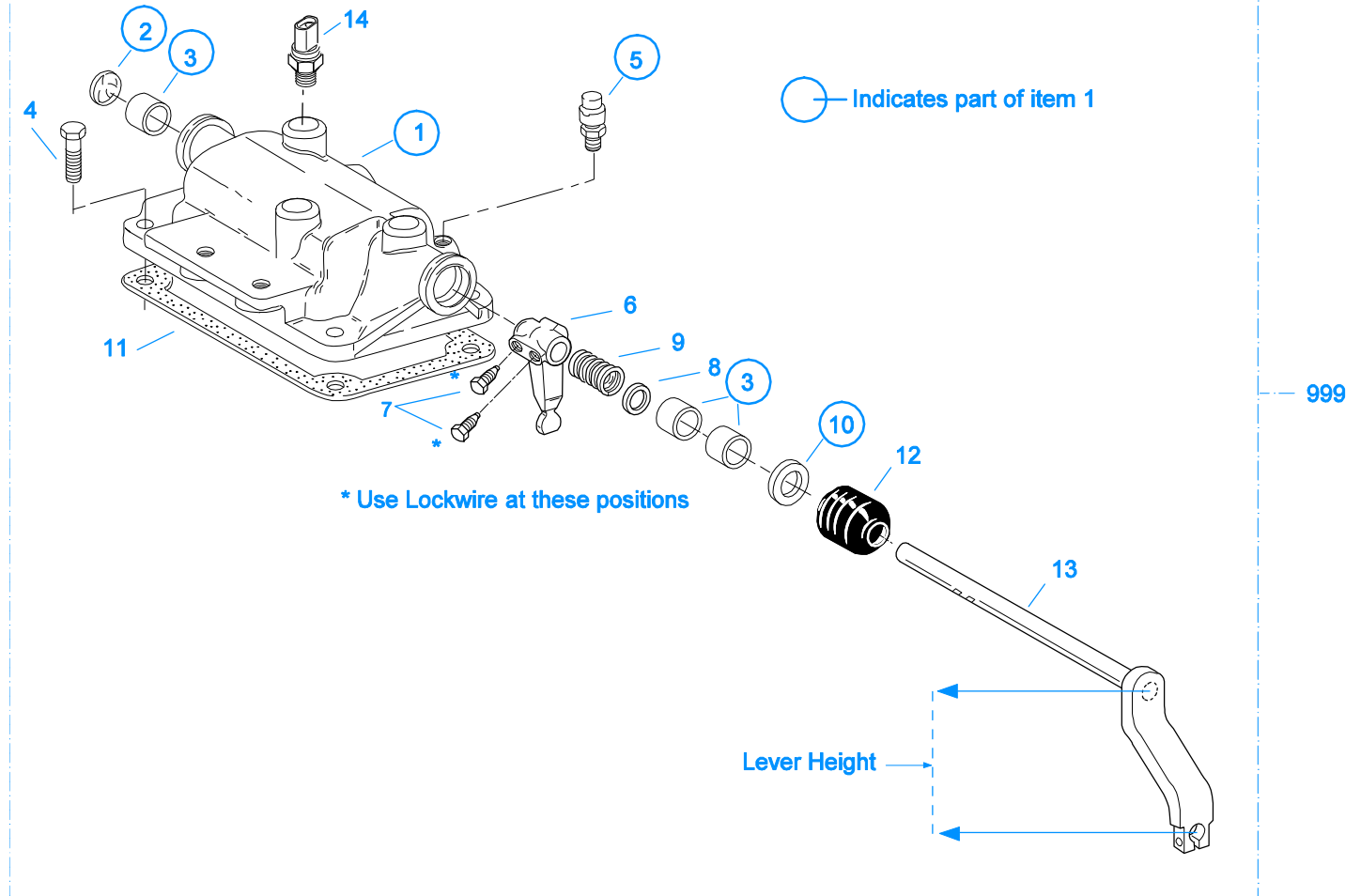
| Item | Current Part | Description           | Replaced Part               | Qty. | Notes | Kits/Assys Where Needed |
|------|--------------|-----------------------|-----------------------------|------|-------|-------------------------|
| 4    | 710787       | BEARING CONE          |                             | 1    |       | K-3423                  |
| 5    | 4301467      | SYNCHRONIZER CUP 5/6  |                             | 2    |       | K-3421                  |
| 6    | A-6608       | SYNCHRONIZER ASSY 5/6 | A - 6137                    | 1    |       | K-3421                  |
| 7    | 4301476      | CLUTCH HUB 5/6        |                             | 1    |       |                         |
| 8    | 4301477      | 5TH GEAR-MAINSHAFT    |                             | 1    |       |                         |
| 9    | 3315737      | BEARING               |                             | 2    |       | K-3423                  |
| 10   | 3315728      | SNAP RING             | 3315729                     | 1    |       | K-3422                  |
| 11   | 3315727      | WASHER                |                             | 1    |       | K-3422                  |
| 12   | 4304098      | 4TH GEAR-MAINSHAFT    | 4304401                     | 1    |       |                         |
| 13   | 4124075      | BEARING               |                             | 2    |       | K-3423                  |
| 14   | 4301466      | SYNCHRONIZER CUP 3/4  |                             | 2    |       | K-7051                  |
| 15   | 3315725      | SNAP RING             |                             | 2    |       | K-3422,K-3423           |
| 16   | A-6136       | SYNCHRONIZER ASSY 3/4 | 4301457 4304050<br>,4304452 | 1    |       | K-7051                  |
| 17   | 4301475      | CLUTCH HUB 3/4        |                             | 1    |       |                         |
| 18   | 4304057      | 3RD GEAR-MAINSHAFT    | 4304063                     | 1    |       |                         |
| 19   | 3315722      | BEARING               |                             | 2    |       | K-3423                  |

| Item | Current Part | Description            | Replaced Part            | Qty. | Notes | Kits/Assys Where Needed |
|------|--------------|------------------------|--------------------------|------|-------|-------------------------|
| 20   | 3315717      | SNAP RING              | 3315718                  | 1    |       | K-3422                  |
| 21   | 3315719      | WASHER                 |                          | 1    |       | K-3422                  |
| 22   | 4304544      | 2ND GEAR-MAINSHAFT     | 4303811 ,4303945         | 1    |       |                         |
| 23   | A-7934       | SYNCHRONIZER ASSY 1/2  | 4304551 ,A - 6801,A-6932 | 1    |       |                         |
| 24   | 4304545      | 1ST GEAR-MAINSHAFT     | 4303809 ,4303946         | 1    |       |                         |
| 25   | 4304547      | REVERSE GEAR-MAINSHAFT |                          | 1    |       |                         |
| 26   | 4301474      | CLUTCH HUB-REV         |                          | 1    |       |                         |
| 27   | 4304550      | SLIDING CLUTCH-REV     |                          | 1    |       |                         |
| 28   | 10J06        | STEEL BALL             |                          | 2    | 3/16" | K-3422                  |
| 31   | 3315703      | BEARING                |                          | 4    |       | K-3423                  |
| 33   | 4304549      | MAINSHAFT              | 4303808                  | 1    |       |                         |
| 34   | 4301492      | WASHER                 |                          | 1    |       | K-3422                  |
| 35   | 5557003      | BEARING CONE           |                          | 1    |       | K-3423                  |
| 36   | 4304555      | BEARING                |                          | 1    |       | K-3423                  |

## MISCELLANEOUS

| Item  | Current Part | Description      | Replaced Part | Qty. | Notes                            | Kits/Assys Where Needed |
|-------|--------------|------------------|---------------|------|----------------------------------|-------------------------|
| 71203 |              | SILICONE LUBE    |               | 1    | 8 OZ (236.59 CC)-FLEET SIZE      |                         |
| 71204 |              | ADHESIVE SEALANT |               | 1    | 0.5 CC (SINGLE APPLICATION SIZE) |                         |
| 71205 |              | SEALANT          |               | 1    | 2 CC (SINGLE APPLICATION SIZE)   |                         |
| 71206 |              | SILICONE LUBE    |               | 1    | 4 CC (SINGLE APPLICATION SIZE)   |                         |
| 71231 |              | GASKET SEALANT   |               | 1    | 8 MILLILITER SIZE                | K-2183                  |
| 71232 |              | THREAD ADHESIVE  |               | 1    | 10 MILLILITER SIZE               |                         |

Group: REMOTE CONTROL



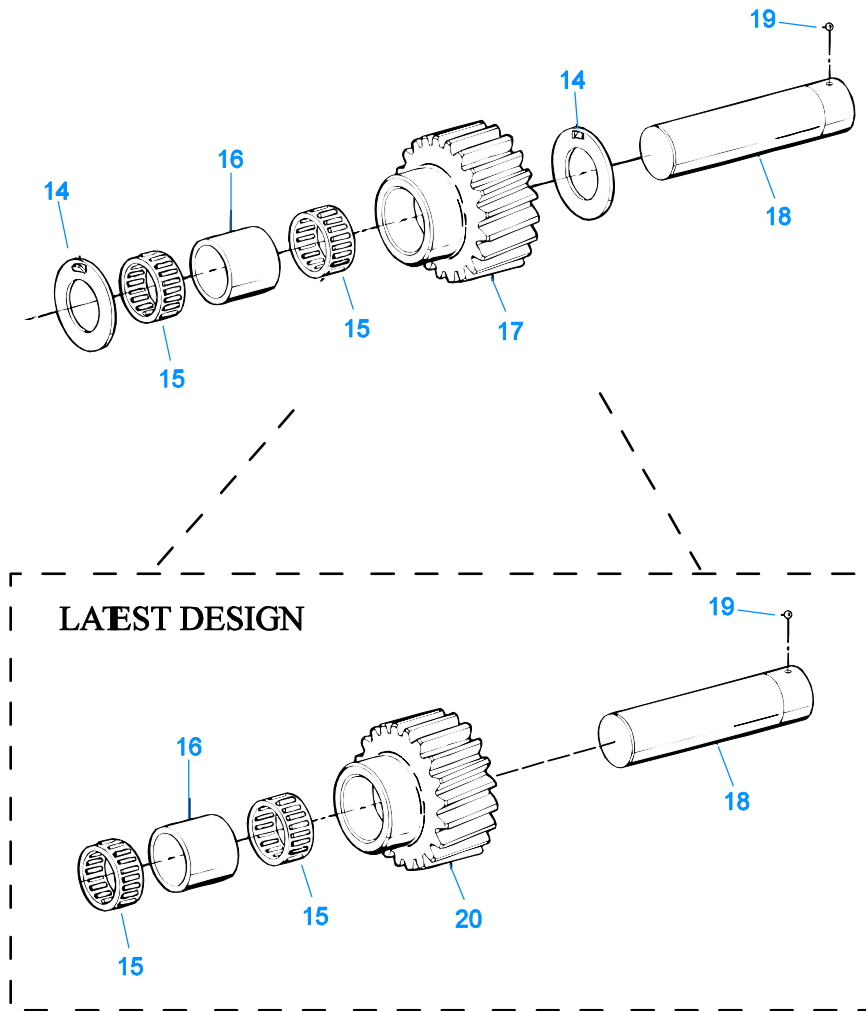
00151-2-94 RCH

## REMOTE CONTROL

| Item | Current Part | Description            | Replaced Part | Qty. | Notes  | Kits/Assys Where Needed                                 |
|------|--------------|------------------------|---------------|------|--|---|
| 1    | 3316308      | CONTROL HOUSING ASSY   | 22115 3316309 | 1    |  |   |
| 1    | A-5537       | CONTROL HOUSING ASSY   | 23263         | 1    | W/NEUTRAL SWITCH OPENING                           |   |
| 1    | A-5739       | CONTROL HOUSING ASSY   | 3316309       | 1    | TWO DRILLED AND TAPPED HOLES                       | A-5741,A-6083   |
| 2    | 12F100       | PLUG 1"                |               | 1    |  | A-5739  |
| 3    | 3312252      | BUSHING                |               | 3    |  | A-5537  |
| 4    | X-8C-604     | CAPSCREW               |               | 4    | 3/8"-16X1-1/4"                                     |   |
| 5    | 3315948      | BREATHER               |               | 1    | USE WITH 3316308 HOUSING ASSY                      |   |
| 5    | 4300217      | BREATHER               |               | 1    |  | A-5739  |
| 6    | 3316290      | SHIFT FINGER           |               | 1    |  | A-5741,A-6083   |
| 7    | 3315272      | SCREW                  |               | 2    |  | A-5741,A-6083   |
| 8    | 3312745      | WASHER                 |               | 1    |  | A-6083  |
| 9    | 3315837      | SPRING                 |               | 1    |  | A-6083  |
| 10   | 3312225      | OIL SEAL               |               | 1    |  | A-5739  |
| 11   | 4301958      | GASKET                 |               | 1    |  | K-7028,K-7061,K-7062,K-7065,K-7069,S-1578,S-1827,S-7045 |
| 12   | 3314302      | BOOT                   |               | 1    |  | A-5741,A-6083   |
| 13   | A-5273       | SHAFT & LEVER ASSY     |               | 1    | LEVER HEIGHT 3-3/4"                                | A-5741,A-6083   |
| 13   | A-5312       | SHAFT & LEVER ASSY     |               | 1    | LEVER HEIGHT 85MM (3.35")                          |   |
| 13   | A-5877       | NO LONGER AVAILABLE    |               | 1    | LEVER HEIGHT 5-1/2"                                |   |
| 14   | 22941        | NEUTRAL LIGHT SWITCH   | 12639         | 1    | SWITCH NORMALLY CLOSED                             |   |
| 999  | A-5741       | M/R SLAVE CONTROL ASSY |               | 1    | LEVER HEIGHT 3-3/4" SPRING AND WASHER NOT INCLUDED |   |
| 999  | A-5881       | NO LONGER AVAILABLE    |               | 1    | LEVER HEIGHT 5-1/2"                                |   |



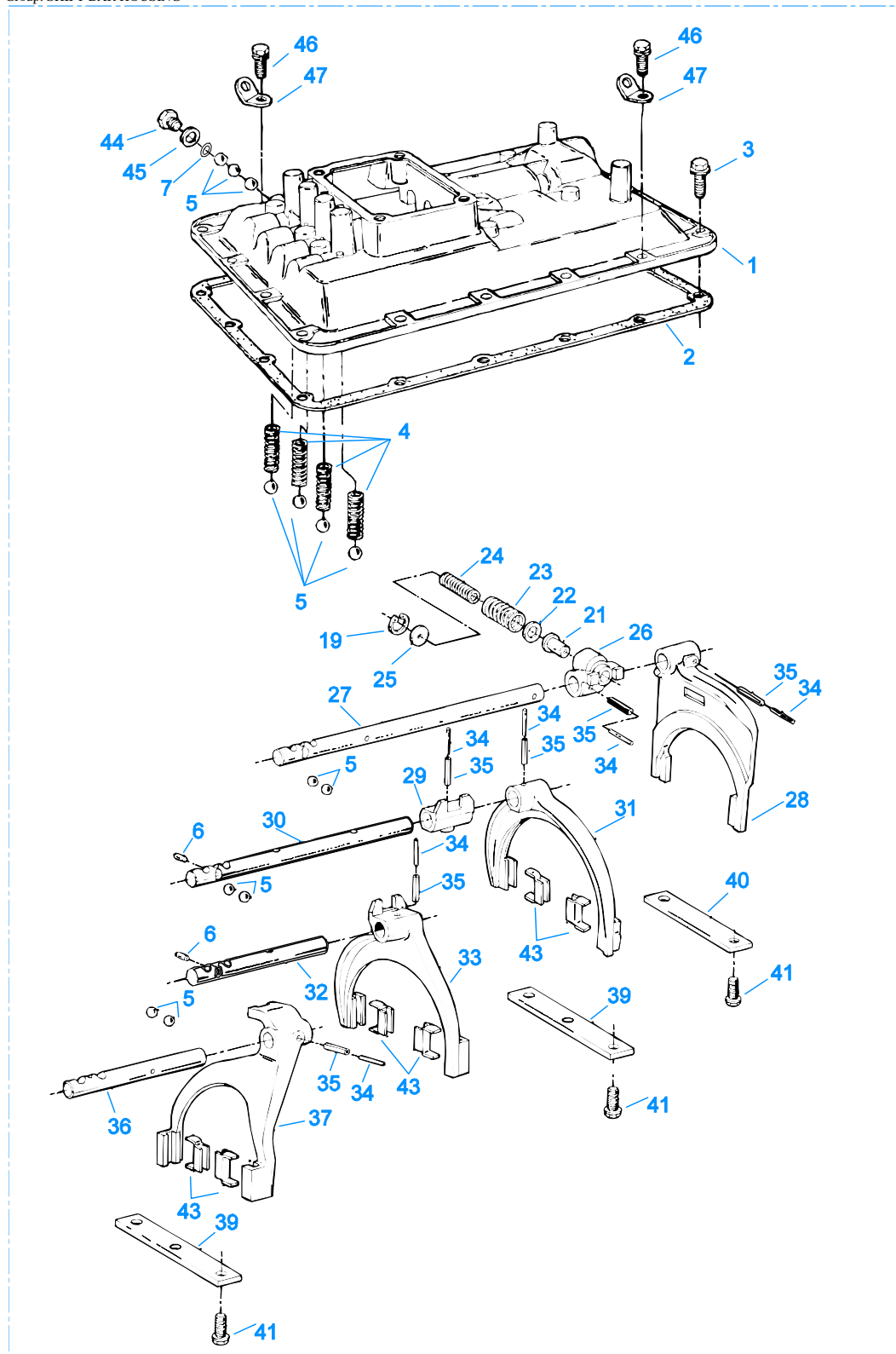
| Item | Current Part | Description            | Replaced Part | Qty. | Notes  | Kits/Assys Where Needed |
|------|--------------|------------------------|---------------|------|--|-------------------------|
| 999  | A-6083       | M/R SLAVE CONTROL ASSY |               | 1    | LEVER HEIGHT 3-3/4" SPRING AND WASHER INCLUDED |                         |
| 999  | K-7069       | REMOTE CONTROL KIT     | A - 5403      | 1    | LEVER HEIGHT 85MM (3.35")                      |                         |



00453-8-93

### REVERSE IDLER GEAR ASSY

| Item | Current Part | Description            | Replaced Part | Qty. | Notes | Kits/Assys Where Needed |
|------|--------------|------------------------|---------------|------|-------|-------------------------|
| 14   | 3315673      | WASHER                 |               | 2    |       | K-3422                  |
| 15   | 3315674      | BEARING                |               | 2    |       | K-3423                  |
| 16   | 3315676      | SPACER                 |               | 1    |       |                         |
| 17   | K-3528       | REVERSE IDLER GEAR KIT | 4301491       | 1    |       |                         |
| 18   | 3315672      | REVERSE IDLER SHAFT    |               | 1    |       |                         |
| 19   | 10J06        | STEEL BALL             |               | 1    | 3/16" | K-3422                  |
| 20   | 4304318      | REVERSE IDLER GEAR     |               | 1    |       | K-3528                  |



999

00104-8/93 SBH 63

## SHIFT BAR HOUSING

| Item | Current Part | Description        | Replaced Part    | Qty. | Notes | Kits/Assys Where Needed |
|------|--------------|--------------------|------------------|------|-------|-------------------------|
| 1    | A-6744       | SHIFT BAR HSG ASSY | 3315760 ,4302947 | 1    |       |                         |

| Item | Current Part | Description               | Replaced Part                | Qty. | Notes   | Kits/Assys Where Needed |
|------|--------------|---------------------------|------------------------------|------|---|-------------------------|
|      |              |                           | ,4303606 ,A - 6536 ,A - 6537 |      |   |                         |
| 2    | 4300854      | GASKET                    | 3315678                      | 1    |   | K-7028,S-2861           |
| 3    | X-8C-600     | CAPSCREW                  | 239611                       | 14   | 3/8"-16X1"  |                         |
| 4    | 3315765      | SPRING                    |                              | 4    |   | K-3423                  |
| 5    | 10J14        | STEEL BALL                |                              | 13   | 7/16"   | K-3422                  |
| 6    | 201044       | PIN                       |                              | 2    |   |                         |
| 7    | 4301719      | BALL RETAINER-<br>REVERSE |                              | 1    |   |                         |
| 19   | 21736        | SNAP RING                 |                              | 1    |   |                         |
| 21   | 3316296      | PLUNGER                   |                              | 1    |   |                         |
| 22   | 3316298      | WASHER                    |                              | 1    |   |                         |
| 23   | 21723        | SPRING                    |                              | 1    |   |                         |
| 24   | 21724        | SPRING                    |                              | 1    |   |                         |
| 25   | 3316295      | WASHER                    |                              | 1    |   |                         |
| 26   | 3316300      | SHIFT BLOCK REV           |                              | 1    |   |                         |
| 27   | 4301469      | YOKE BAR REV              |                              | 1    |   |                         |
| 28   | 3315897      | YOKE ASSY REV             |                              | 1    |   |                         |
| 29   | 3315778      | SHIFT BLOCK 1ST/2ND       |                              | 1    |   |                         |
| 30   | 4304561      | YOKE BAR 1ST/2ND          | 4303819                      | 1    |   |                         |
| 31   | 3315772      | YOKE ASSY 1ST/2ND         | 3315770                      | 1    |   |                         |
| 32   | 4301471      | YOKE BAR 3RD/4TH          |                              | 1    |   |                         |
| 33   | A-6139       | YOKE ASSY 3RD/4TH         | 4301486                      | 1    |   |                         |
| 34   | 1JM6028      | PIN                       |                              | 6    |   |                         |
| 35   | 1JM3528      | PIN                       |                              | 6    |   |                         |
| 36   | 4301472      | YOKE BAR 5TH/6TH          |                              | 1    |   |                         |
| 37   | A-6138       | YOKE ASSY 5TH/6TH         | 4301488                      | 1    |   |                         |
| 39   | 4301279      | SHIFT BAR RETAINER        | 3315756                      | 2    |   |                         |
| 40   | 3315757      | SHIFT BAR RETAINER        |                              | 1    |   |                         |
| 41   | 233043       | CAPSCREW                  |                              | 8    | 3/8"-16X1"  |                         |
| 43   | 227675       | INSERT - YOKE PAD         |                              | 6    |   | A-6138,A-6139,K-3422    |
| 44   | 235052       | CA PLUG                   |                              | 1    | 9/16 - 18   |                         |
| 44   | 4303656      | PLUG                      | 15917                        | 1    | 9/16 - 18, THREADED                               |                         |
| 45   | 15900        | GASKET                    |                              | 1    |   | K-7028,S-2861           |
| 46   | X-8-688      | CAPSCREW                  |                              | 3    | 3/8"-16X1"  |                         |
| 47   | 238370       | LIFTING EYE               |                              | 3    |   |                         |
| 999  | S-2861       | SHIFT BAR HSG ASSY        | 4303606                      | 1    | COMPLETE REVERSE SWITCH<br>POSITION - RIGHT FRONT |                         |