



Eaton Fuller FS-6206A Transmission Parts Manual

This is Eaton Fuller FS-6206A Transmission parts manual brought to you by Pro Gear and Transmission to assist you identifying the parts for your Eaton / Fuller transmission unit.

If you need any assistance identifying the correct Eaton / Fuller unit for your truck and equipment, contact your Eaton replacement parts specialists at Pro Gear and Transmission.

Pro Gear stocks every part for your Eaton transmission including: Valve Assemblies, Synchronizers, Yoke Assemblies, O-Ring Kits, Drive Gears, Gaskets, Bearing and Seal Kits, and much more.

Pro Gear and Transmission has same day shipping and thousands of products in stock and ready to ship internationally for your next project.

For parts or service contact the Eaton transmission specialists at Pro Gear & Transmission, Inc.

 CALL US

 EMAIL US

 VISIT MODEL PAGE

 VISIT ONLINE STORE



Roadranger®

More time on the road®

Illustrated Parts List

FS-6206A
July 2011

Contents

How To Use The Illustrated Parts List	3
CASE.....	4
COUNTERSHAFT ASSY	6
INPUT SHAFT.....	7
KITS & ASSEMBLIES	8
LEVER ASSY	9
MAINSHAFT ASSY.....	11
MISCELLANEOUS	13
REMOTE CONTROL.....	14
REVERSE IDLER GEAR ASSY	16
SHIFT BAR HOUSING	17

How To Use The Illustrated Parts List

The information contained in this document is subject to frequent updates. Therefore, for the latest information available, please visit the interactive Electronic Parts Catalog at www.roadranger.com/epc.

Model Designation or Nomenclature

- For information regarding Model Designation and Nomenclature, visit www.roadranger.com.

Kits and Assemblies (K/A's)

- Kits and Assemblies contain groups of individual or assembled parts developed for optimal replacement or repair of a service problem.
- Kits and Assemblies are shown with applicable parts groupings in the parts listings.

Identifying Kits and Assemblies

A- Part numbers beginning with the letter 'A' are pre-assembled Production Assemblies

K- Part numbers beginning with the letter 'K' are kits that are not assembled

S- Part numbers beginning with the letter 'S' are pre-assembled Service Assemblies

- Note: Some Production Assemblies do not begin with a letter prefix (Midrange only).

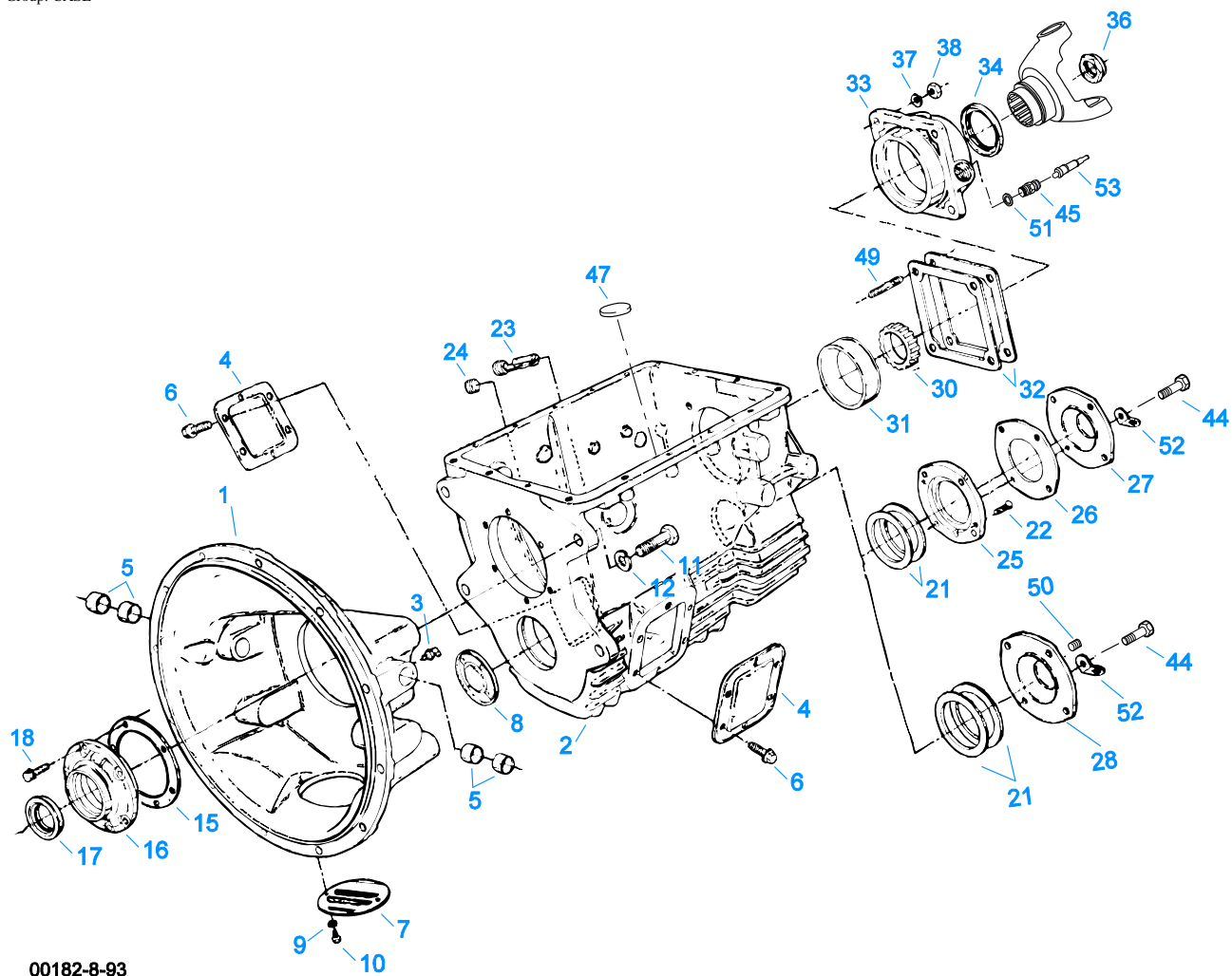
Illustrations

- Illustrations show parts in assembly groups.
- Item numbers on illustrations correspond with parts listings on pages adjacent to the illustration.
- Notes are included on illustrations where additional information is needed.

Parts Listing

Parts listings are defined by parts groupings and are broken down by service assemblies. Parts listings identify a part for servicing with the following categories

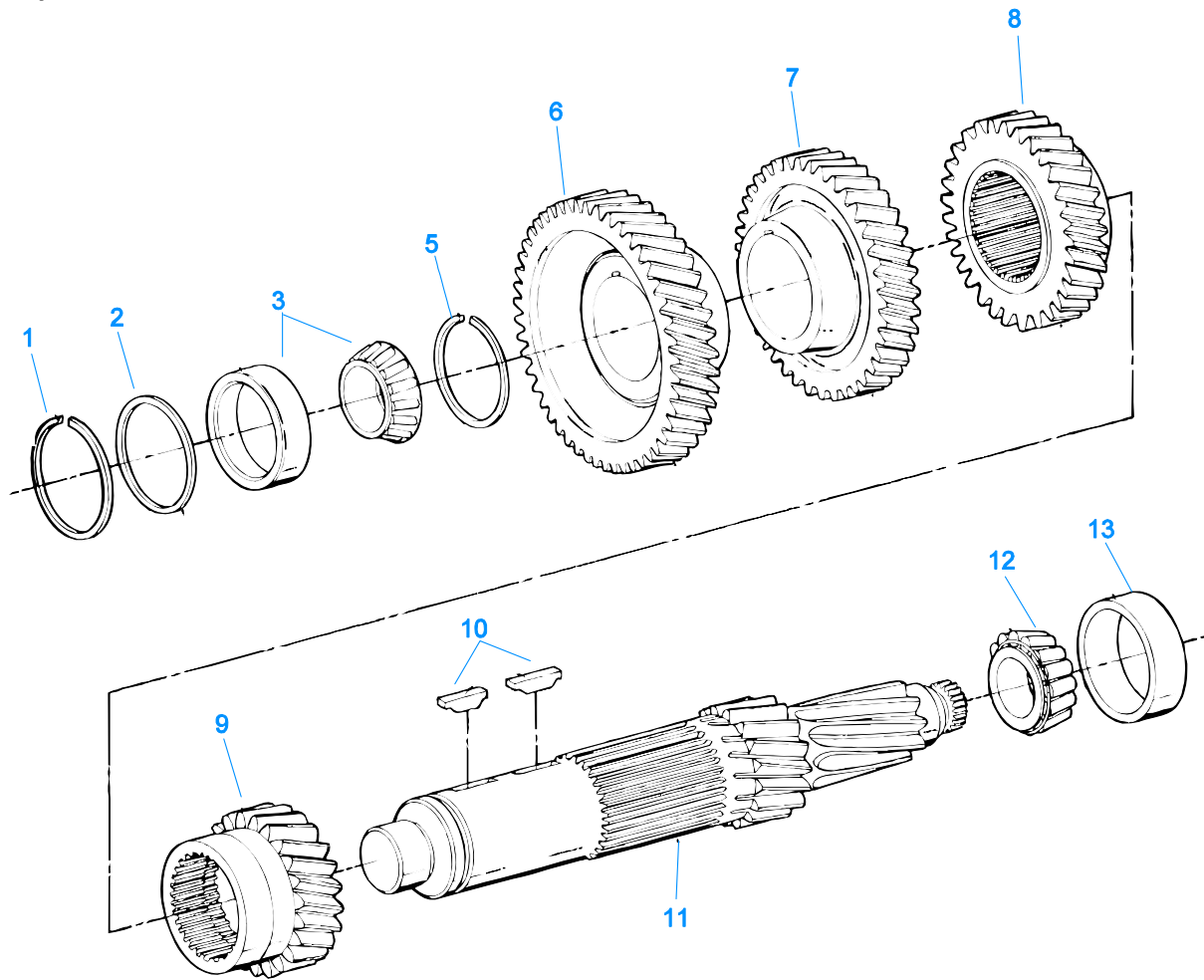
- **Item Number** - corresponding with numbers on illustrations for part identification.
- **Current Part** - identifies part as it is available for service.
- **Description** - specifies part name or description.
- **Replaced Part** - quantity quantity required for assembly.
- **Quantity** - defines unique characteristics or requirements.
- **Notes** - indicates Kits or Assemblies that contain a particular part.
- **Kits/Assy's Where Used**



CASE

Item	Current Part	Description	Replaced Part	Qty.	Notes	Kits/Assys Where Needed
1	A-5205	CLUTCH HSG ASSY	21646	1	#2 ALUMINUM, BELOW CENTER LINE PUSH TYPE	
1	A-5631	CLUTCH HSG ASSY	23723	1	#2 PULL-IRON, W/90 DEG FITTINGS	
1	A-5634	CLUTCH HSG ASSY	23726 ,3316236 ,3316237 ,A - 5632 ,A - 5771	1	#2 ALUMINUM, ABOVE CENTER LINE PULL TYPE	
1	A-5751	CLUTCH HSG ASSY	4300418	1	#2 ALUMINUM, BELOW CENTER LINE PUSH TYPE	
1	A-5878	CLUTCH HSG ASSY	4300744	1	#2 PULL-ALUMINUM	
1	A-6228	CLUTCH HSG ASSY	23723	1	#2 PULL-IRON, W/45 DEG FITTINGS	
1	A-7514	CLUTCH HSG ASSY	3316241	1	#2 ALUMINUM, PUSH TYPE (FORK)	
2	S-2952	CASE ASSY	3316276 ,4301285 ,4304643 ,4305177	1		
3	4300301	FITTING-45 DEGREE	11H15	2		
3	4872	FITTING-90 DEGREE	12H15	2		
4	201398	PTO COVER		2		
5	12815	BUSHING		4		A-5631,A-5634,A-5751,A-5878,A-6228
5	8677	BUSHING		2	USE W/A-5205 CLUTCH HSG ASSY	A-5205
6	239613	CAPSCREW		12	3/8"-16X5/8"	
7	23380	COVER	206466	1		A-5205,A-5631,A-5634,A-5751,A-5878,A-7514
8	3315679	PLUG		1		K-2041
9	X-3-400	LOCKWASHER	4E04	2	1/4"	
10	1C408	CAPSCREW		2	1/4"-20	

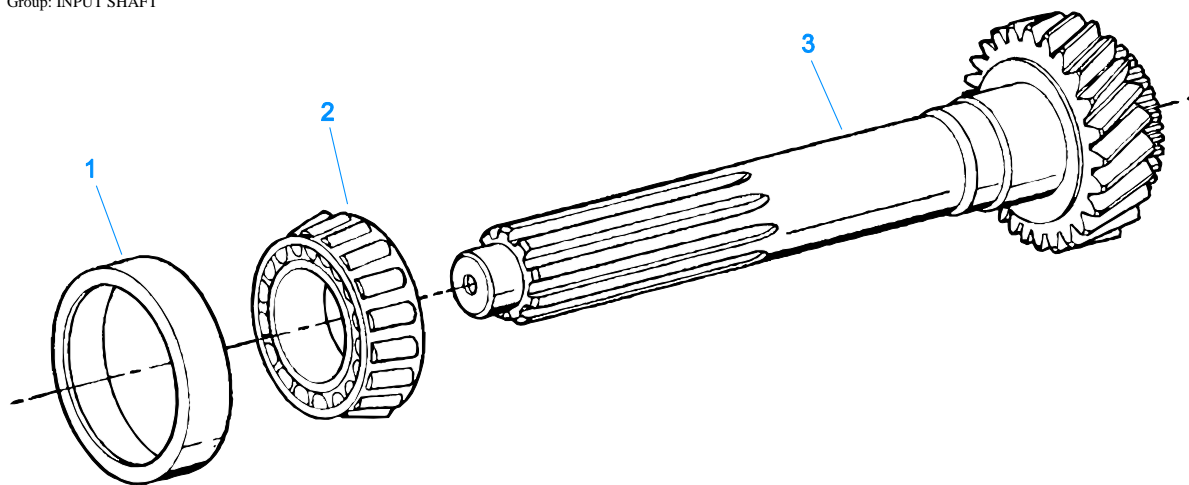
Item	Current Part	Description	Replaced Part	Qty.	Notes	Kits/Assys Where Needed
11	X-8-1011	CAPSCREW	1C1036	4	5/8"-11X2-1/4"	
12	X-3-1000	LOCKWASHER		4	5/8"	
15	3315659	GASKET		1		K-2022,K-2181
16	21893	FRONT BRG COVER-PUSH		1	USE 4300798 OIL SEAL	
16	21982	FRONT BRG COVER-PUSH		1	USE 4300798 OIL SEAL	
16	21992	FRONT BRG COVER-PUSH		1	USE 19110 OIL SEAL	
16	3316171	FRONT BRG COVER-PULL		1	USE 4300121 OIL SEAL	
16	3316313	FRONT BRG COVER-PUSH		1	USE 4300798 OIL SEAL	
16	4300887	FRONT BRG COVER-PUSH		1	USE 4300204 OIL SEAL	
16	4300888	FRONT BRG COVER-PULL		1	USE 4300121 OIL SEAL	K-2022
16	4301144	FRONT BRG COVER-PULL		1	USE 4300121 OIL SEAL	
17	19110	OIL SEAL	18386	1	SHAFT 1.875, WIDTH .188	
17	4300121	OIL SEAL	3315623	1	SHAFT 1.873, WIDTH .375, OD 2.68	K-2022,K-2041
17	4300204	OIL SEAL	235394	1	SHAFT 1.873, WIDTH .375	
17	4300798	OIL SEAL	235393	1	SHAFT 1.625, WIDTH .375	
18	239614	SCREW		6	5/16-18X.81	
21	3315681	SHIM .004		1	QUANTITY AS REQUIRED	K-2183
21	3315682	SHIM .007		1	QUANTITY AS REQUIRED	K-2183
21	3315683	SHIM .010		1	QUANTITY AS REQUIRED	K-2183
21	3315684	SHIM .020		1	QUANTITY AS REQUIRED	K-2183
21	4300977	SHIM .040		1		
22	9G416H	SCREW		2	1/4"-20X1"	
23	X-12-1207	PIPE PLUG	X12 1202 X12 1206	1	3/4" MAGNETIC	
24	X-12-1210	PIPE PLUG	X12 1206	1		
25	4301607	C/S REAR BRG COVER	K-3430	1		
26	3315671	GASKET		1		K-2181
27	4301607	C/S REAR BRG COVER	K-3430	1		
28	4301607	C/S REAR BRG COVER		1		
30	3316160	SPEEDO ROTOR		1	16 TEETH	
30	3316283	SPEEDO DRIVE GEAR		1	6 TEETH	K-2306
30	4300003	SPEEDO ROTOR		1	6 TEETH	
30	86302	SPEEDO DRIVE GEAR		1	5 TEETH	
30	86310	NO LONGER AVAILABLE		1	6 TEETH	
30	86313	NO LONGER AVAILABLE		1	6 TEETH	
31	711123	BEARING CUP		1		K-2041
32	3315662	SHIM .004		1	QUANTITY AS REQUIRED	K-2183
32	3315663	SHIM .007		1	QUANTITY AS REQUIRED	K-2183
32	3315664	SHIM .010		1	QUANTITY AS REQUIRED	K-2183
32	3315665	SHIM .020		1	QUANTITY AS REQUIRED	K-2183
32	4300978	SHIM .040		1		
33	21901	NO LONGER AVAILABLE		1	USE 4300119 OIL SEAL	
33	21947	REAR BRG COVER		1	USE 4300119 OIL SEAL	
33	22020	REAR BRG COVER		1	USE 4300119 OIL SEAL	
33	3316278	REAR BRG COVER		1	USE 4300119 OIL SEAL	
33	S-7035	REAR BRG COVER ASSY	23248 ,4301987	1	USE 4300119 OIL SEAL NOTE: SENSOR SEAL REQUIRED	
33	S-7036	REAR BRG COVER ASSY	21979 ,4302005	1	USE 4300119 OIL SEAL NOTE: SENSOR SEAL REQUIRED	
33	S-7037	REAR BRG COVER ASSY	3315657 ,4302029	1	USE 4300119 OIL SEAL NOTE: SENSOR SEAL REQUIRED	
33	S-7038	REAR BRG COVER ASSY	4300746 ,4302100	1	USE 4300119 OIL SEAL NOTE: SENSOR SEAL REQUIRED	
34	4300119	OIL SEAL		1	SHAFT 2.753, WIDTH .5	K-2041
36	21937	NUT	216053 ,235656 ,238026	1	1-1/4"-18	
37	239436	WASHER		4	1/2"	
38	86D8	NUT	86D08	4	1/2"-20	
44	X-8C-604	CAPSCREW		4	3/8"-16X1-1/4"	
45	3316225	SLEEVE		1		K-2306
45	86147	SLEEVE		1		
47	14373	MAGNET		1		S-2952
49	239433	STUD		4	1/2"-20X2-5/16"	
51	4301954	SENSOR SEAL		1		S-7035,S-7036,S-7037,S-7038
52	238370	LIFTING EYE		1		
53	5501519	NO LONGER AVAILABLE		1	17 TEETH	
53	86303	SPEEDO DRIVEN GEAR		1	15 TEETH	
53	86309	NO LONGER AVAILABLE		1	12 TEETH	



00303-8/93 CS 53

COUNTERSHAFT ASSY

Item	Current Part	Description	Replaced Part	Qty.	Notes	Kits/Assys Where Needed
1	3315686	SNAP RING		1		
2	3315687	WASHER		1		K-2041,K-7026
3	K-3795	COUNTERSHAFT BRG KIT	1313645, 791943	1		K-7026
5	3315752	SNAP RING	3315751	1		
6	3315743	DRIVE GEAR-CNTRSHFT		1		
7	3315745	5TH GEAR-CNTRSHFT		1		
8	3315747	4TH GEAR-CNTRSHFT		1		
9	4303240	3RD GEAR-CNTRSHFT	22076	1		
10	230292	KEY		2		K-7026
11	4303238	COUNTERSHAFT	3315740	1		
12	658981	BEARING CONE		1		K-2041
13	660181	BEARING CUP		1		K-2041



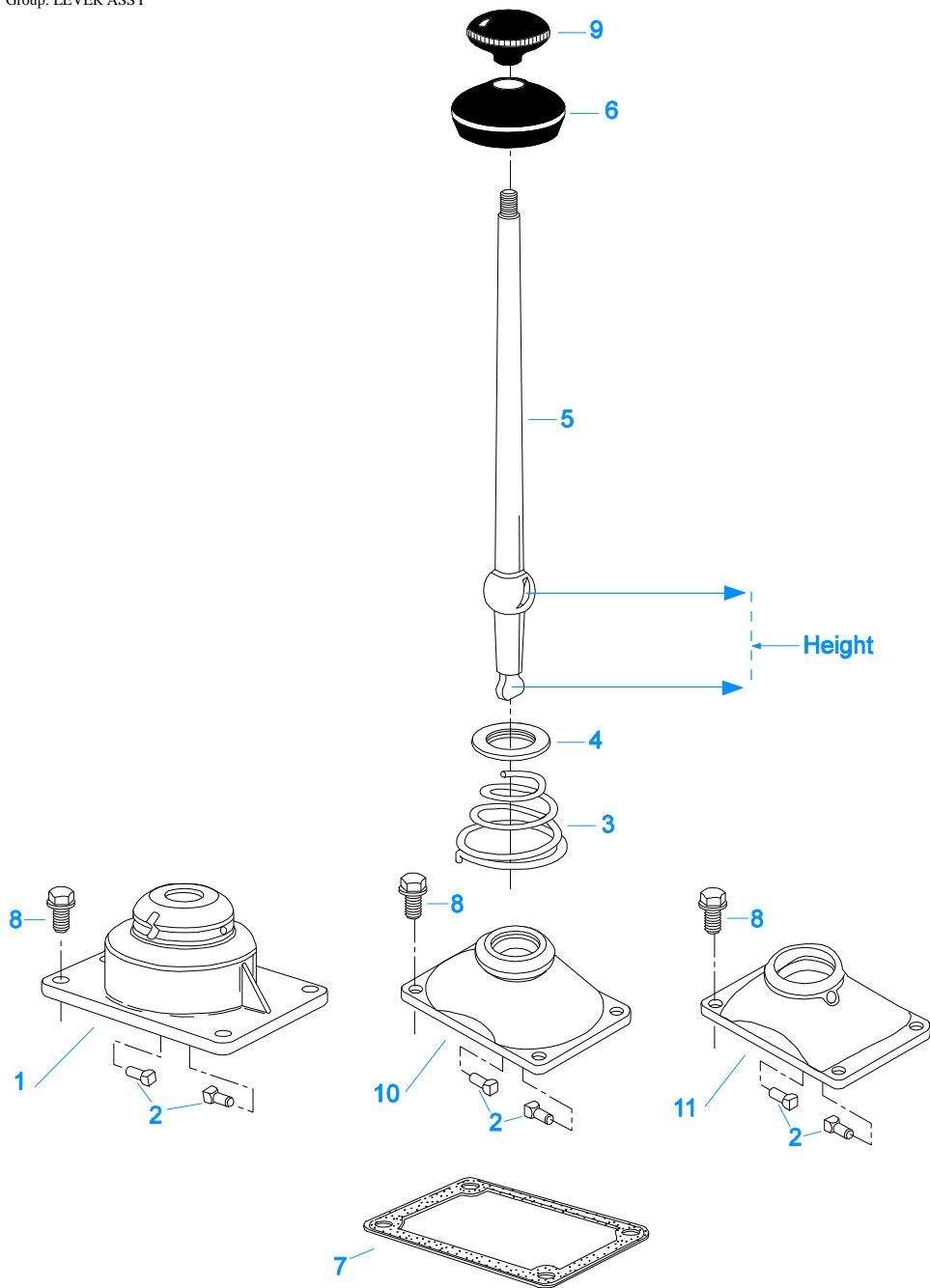
00401-8/93 IS 62

INPUT SHAFT

Item	Current Part	Description	Replaced Part	Qty.	Notes	Kits/Assys Where Needed
1	675250	BEARING CUP		1	1.75" INPUT	K-2022,K-2041
1	711123	BEARING CUP		1	1.50" INPUT	K-2041
2	5557003	BEARING CONE	5202047	1	1.50" INPUT	
2	742259	BEARING CONE		1	1.75" INPUT	K-2022,K-2041
3	21896	IN/SHAFT-1.50" PUSH/PUL		1	USE 21893 FRONT BRG COVER	
3	21898	IN/SHAFT-1.75" PUSH/PULL		1	USE 3316171, 4300888 OR 4301144 FRONT BRG COVER	
3	21988	IN/SHAFT-1.50" PUSH/PULL		1	USE 21982 FRONT BRG COVER	
3	3316257	IN/SHAFT-1.75" PUSH/PULL		1	USE 21992, 23106, 3316171 OR 4301144 FRONT BRG COVER	K-2022
3	3316314	INPUT SHAFT-1.50" PUSH		1	USE 3316313 FRONT BRG COVER	
3	4300889	INPUT SHAFT-1.50" PUSH		1	USE 4300887 FRONT BRG COVER	

KITS & ASSEMBLIES

Item	Current Part	Description	Replaced Part	Qty.	Notes	Kits/Assys Where Needed
K-2017		SYNCHRONIZER KIT		1		
K-2022		CONVERSION KIT		1		
K-2041		BASIC REBUILD KIT		1		
K-2111		GEAR REPLACEMENT KIT	3315750	1		
K-2181		GASKET KIT		1		K-2041
K-2183		SHIM KIT		1		K-2041,K-2306
K-2306		CONVERSION KIT		1		
K-3795		COUNTERSHAFT BRG KIT	1313645, 791943	1		
K-7023		SYNCHRONIZER KIT		1		
K-7026		SMALL PARTS KIT		1		
K-7061		SHIFT LEVER HSG KIT	241075 ,4302711 ,A - 6439	1	ALUMINUM HOUSING MEDIUM - LEVER HEIGHT 3-1/8"	
K-7062		SHIFT LEVER HSG KIT	233080 ,4302711 ,A - 6440	1	ALUMINUM HOUSING HIGH - LEVER HEIGHT 3-1/2"	
K-7069		REMOTE CONTROL KIT	A - 5403	1	LEVER HEIGHT 85MM (3.35")	
S-1578		SHIFT LEVER ASSY 3-1/2"		1	COMPLETE ASSY - ALUMINUM HOUSING HIGH - LEVER HEIGHT 3-1/2" 27-1/2" STRAIGHT LEVER - "BEND TO SUIT" 3/8" X 24 THREAD	
S-1827		SHIFT LEVER ASSY 3-1/8"	S-7079	1	COMPLETE ASSY - ALUMINUM HOUSING MEDIUM - LEVER HEIGHT 3-1/8" 27-1/2" STRAIGHT LEVER - "BEND TO SUIT" 3/8" X 24 THREAD	
S-7013		SHIFT BAR HSG ASSY	3315760 ,4302947	1	COMPLETE	
S-7035		REAR BRG COVER ASSY	23248 ,4301987	1		
S-7036		REAR BRG COVER ASSY	21979 ,4302005	1		
S-7037		REAR BRG COVER ASSY	3315657 ,4302029	1		
S-7038		REAR BRG COVER ASSY	4300746 ,4302100	1		
S-7045		SHIFT LEVER ASSY 2-7/8"		1	COMPLETE ASSY - ALUMINUM HOUSING LOW - LEVER HEIGHT 2-7/8" 33" STRAIGHT LEVER - "BEND TO SUIT" 3/8" X 24 THREAD	

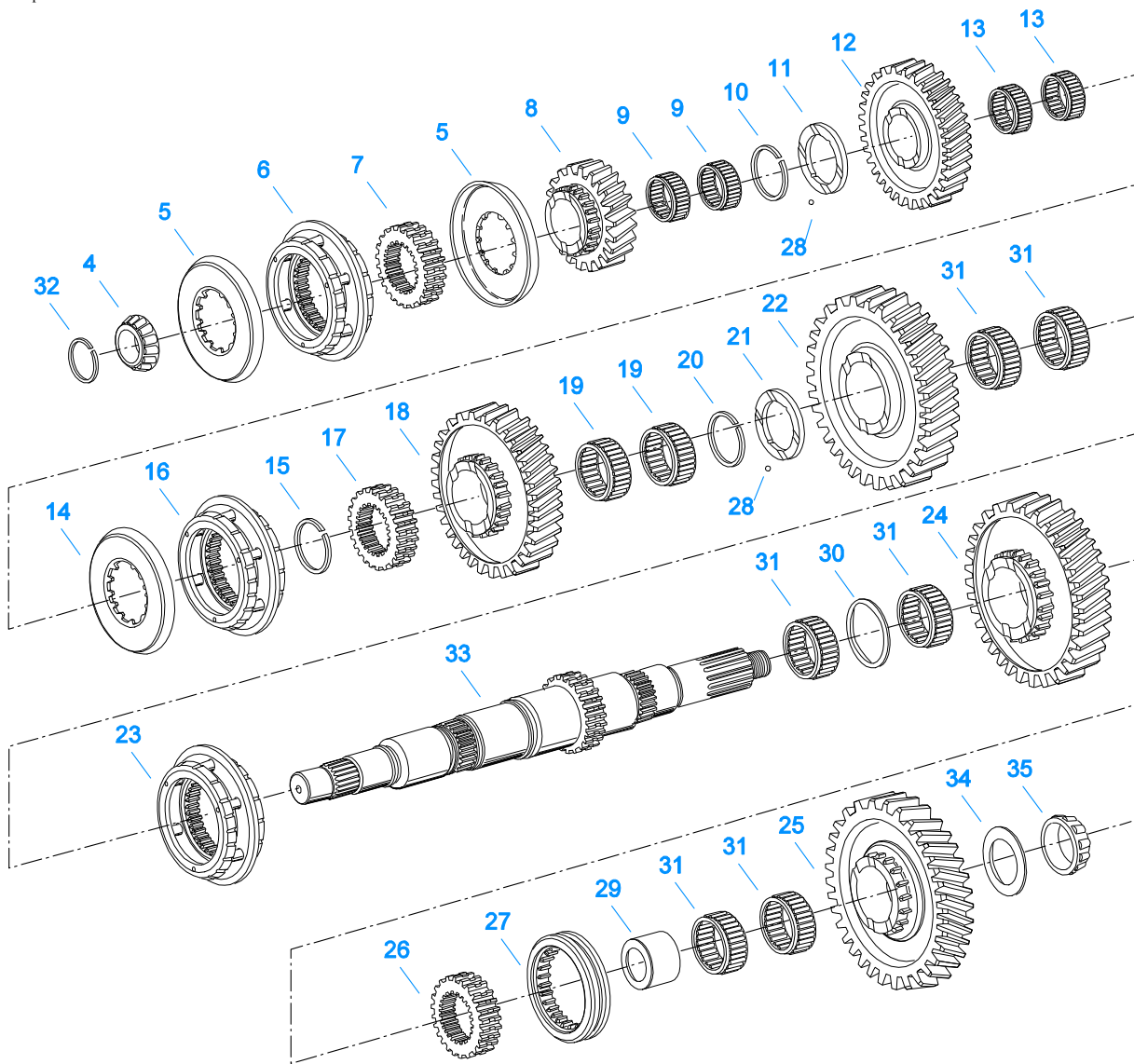


00171-3-94 LA

LEVER ASSY

Item	Current Part	Description	Replaced Part	Qty.	Notes	Kits/Assys Where Needed
1	K-7062	SHIFT LEVER HSG KIT	233080 ,4302711 ,A - 6440	1	ALUMINUM HOUSING HIGH - LEVER HEIGHT 3-1/2"	
2	201054	PIN		2	FOR HSGS WITHOUT PIN SLEEVES	
2	23180	PIN		2	FOR HSGS WITH PIN SLEEVES	K-7061,K-7062,K-7065,S-1578,S-1827,S-7045
3	4300690	SPRING	229337	1		S-1578,S-1827,S-7045
4	23181	WASHER		1		S-1578,S-1827,S-7045
5	21722	SHIFT LEVER 27-1/2"		1	USE WITH K-7062 STRAIGHT LEVER - "BEND TO SUIT"	S-1578
5	241076	SHIFT LEVER 27-1/2"		1	USE WITH K-7061 STRAIGHT LEVER - "BEND TO SUIT"	S-1827

Item	Current Part	Description	Replaced Part	Qty.	Notes	Kits/Assys Where Needed
5	4302823	SHIFT LEVER 33"		1	USE WITH A-6448 STRAIGHT LEVER - "BEND TO SUIT"	S-7045
6	202484	DUST COVER		1		S-1578,S-1827,S-7045
7	4301958	GASKET		1		K-2181,K-7061,K-7062,K-7065,K-7069,S-1578,S-1827,S-7045
8	X-8C-604	CAPSCREW		4	3/8"-16X1-1/4"	
9	201401	SHIFT KNOB		1	3/8"X24 THREAD	S-1578,S-7045
10	K-7061	SHIFT LEVER HSG KIT	241075 ,4302711 ,A - 6439	1	ALUMINUM HOUSING MEDIUM - LEVER HEIGHT 3-1/8"	
11	K-7065	SHIFT LEVER HSG KIT	4302704 ,4302711 ,A - 6448	1	ALUMINUM HOUSING LOW - LEVER HEIGHT 2-7/8"	



00205-4-94 MS 51

MAINSHAFT ASSY

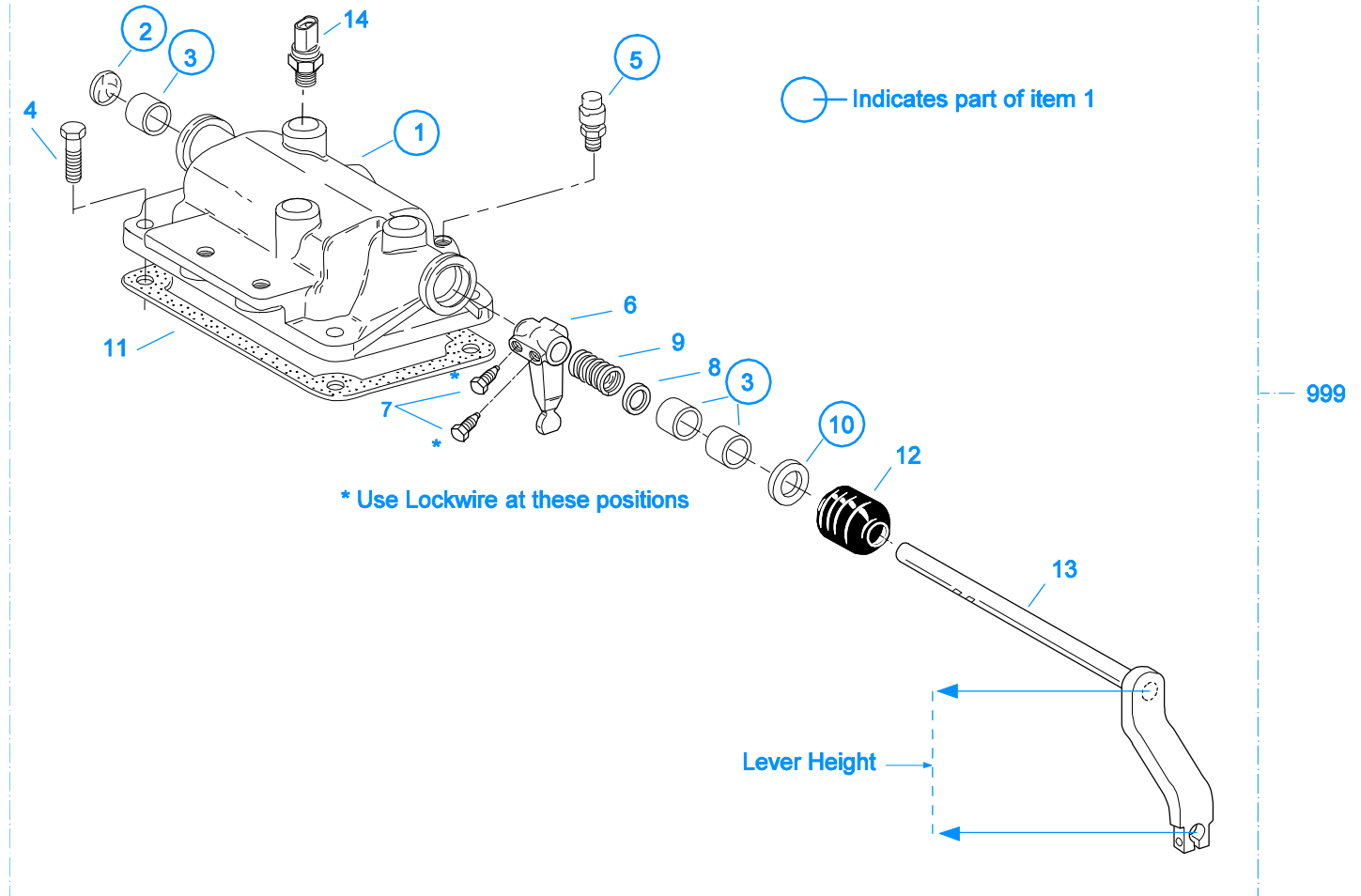
Item	Current Part	Description	Replaced Part	Qty.	Notes	Kits/Assys Where Needed
4	710787	BEARING CONE		1		K-2041
5	228306	SYNCHRONIZER CUP		2		K-2017
6	A-5693	SYNCHRONIZER ASSY 5/6	A - 5543	1		K-2017
7	3315738	CLUTCH HUB 5/6		1		
8	3315720	5TH GEAR-MAINSHAFT		1		
9	3315737	BEARING		2		K-2041
10	3315728	SNAP RING	3315729	1		K-7026
11	3315727	WASHER		1		K-7026
12	3315715	4TH GEAR-MAINSHAFT		1		
13	4124075	BEARING		2		K-2041
14	3315730	SYNCHRONIZER CUP		1		K-7023
15	3315725	SNAP RING		1		K-2041,K-7026
16	A-5725	SYNCHRONIZER ASSY 3/4	A - 5541	1		K-7023
17	3315723	CLUTCH HUB 3/4		1		
18	22075	3RD GEAR-MAINSHAFT		1		K-2111
19	3315722	BEARING		2		K-2041
20	3315717	SNAP RING	3315718	1		K-7026
21	3315719	WASHER		1		K-7026
22	3315705	2ND GEAR-MAINSHAFT		1		
23	A-5721	SYNCHRONIZER ASSY 1/2	A - 5540	1		

Item	Current Part	Description	Replaced Part	Qty.	Notes	Kits/Assys Where Needed
24	3315700	1ST GEAR-MAINSHAFT		1		
25	3315692	REVERSE GEAR- MAINSHAFT		1		
26	3315696	CLUTCH HUB REV		1		
27	3315694	SLIDING CLUTCH		1		
28	10J06	STEEL BALL		2	3/16"	K-7026
29	3315698	BUSHING		1		
30	3315702	SPACER		1		
31	3315703	BEARING		6		K-2041
32	3313798	SNAP RING		1	NO LONGER REQUIRED	K-2041,K-7026
33	23301	MAINSHAFT		1		
34	3315704	WASHER		1		K-7026
35	5557003	BEARING CONE	5202047	1		

MISCELLANEOUS

Item	Current Part	Description	Replaced Part	Qty.	Notes	Kits/Assys Where Needed
71203		SILICONE LUBE		1	8 OZ (236.59 CC)-FLEET SIZE	
71204		ADHESIVE SEALANT		1	0.5 CC (SINGLE APPLICATION SIZE)	
71205		SEALANT		1	2 CC (SINGLE APPLICATION SIZE)	
71206		SILICONE LUBE		1	4 CC (SINGLE APPLICATION SIZE)	
71231		GASKET SEALANT		1	8 MILLILITER SIZE	K-2183
71232		THREAD ADHESIVE		1	10 MILLILITER SIZE	

Group: REMOTE CONTROL

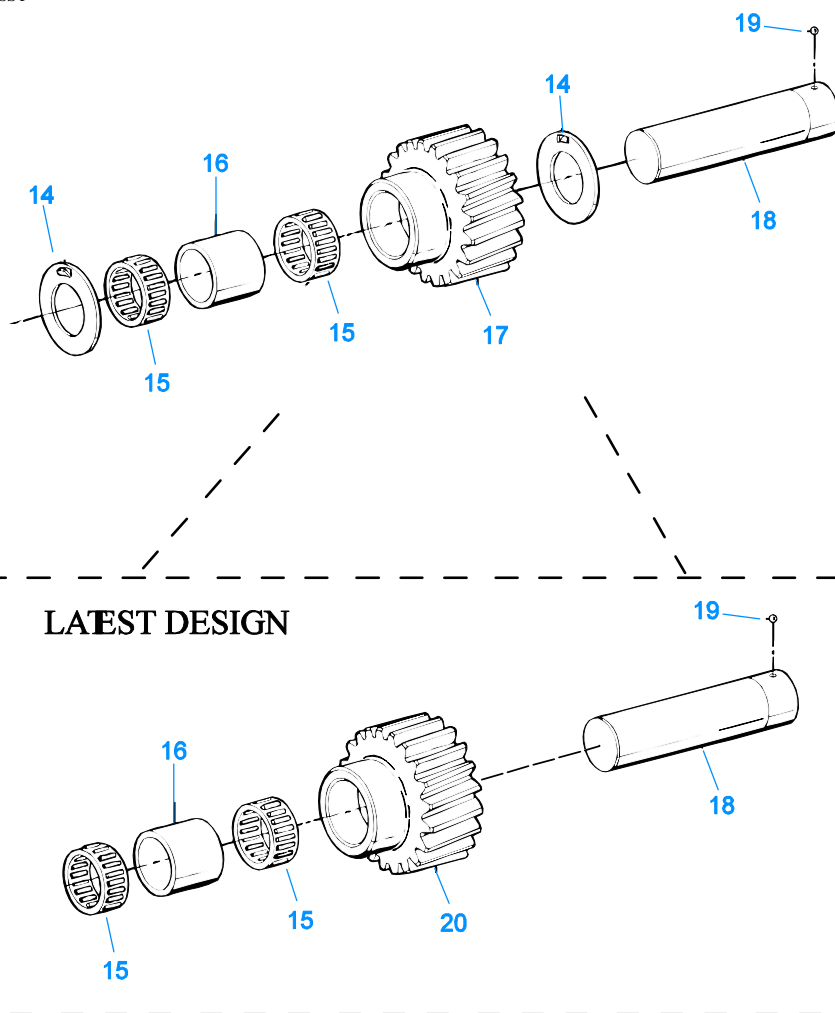


00151-2-94 RCH

REMOTE CONTROL

Item	Current Part	Description	Replaced Part	Qty.	Notes	Kits/Assys Where Needed
1	3316308	CONTROL HOUSING ASSY	22115 3316309	1		
1	A-5537	CONTROL HOUSING ASSY	23263	1	W/NEUTRAL SWITCH OPENING	
1	A-5739	CONTROL HOUSING ASSY	3316309	1	TWO DRILLED AND TAPPED HOLES	A-5741,A-6083
2	12F100	PLUG 1"		1		A-5739
3	3312252	BUSHING		3		A-5537
4	X-8C-604	CAPSCREW		4	3/8"-16X1-1/4"	
5	3315948	BREATHER		1	USE WITH 3316308 HOUSING ASSY	
5	4300217	BREATHER		1		A-5739
6	3316290	SHIFT FINGER		1		A-5741,A-6083
7	3315272	SCREW		2		A-5741,A-6083
8	3312745	WASHER		1		A-6083
9	3315837	SPRING		1		A-6083
10	3312225	OIL SEAL		1		A-5739
11	4301958	GASKET		1		K-2181,K-7061,K-7062,K-7065,K-7069,S-1578,S-1827,S-7045
12	3314302	BOOT		1		A-5741,A-6083
13	A-5273	SHAFT & LEVER ASSY		1	LEVER HEIGHT 3-3/4"	A-5741,A-6083
13	A-5312	SHAFT & LEVER ASSY		1	LEVER HEIGHT 85MM (3.35")	
13	A-5877	NO LONGER AVAILABLE		1	LEVER HEIGHT 5-1/2"	
14	22941	NEUTRAL LIGHT SWITCH	12639	1	SWITCH NORMALLY CLOSED	
999	A-5741	M/R SLAVE CONTROL ASSY		1	LEVER HEIGHT 3-3/4" SPRING AND WASHER NOT INCLUDED	
999	A-5881	NO LONGER AVAILABLE		1	LEVER HEIGHT 5-1/2"	

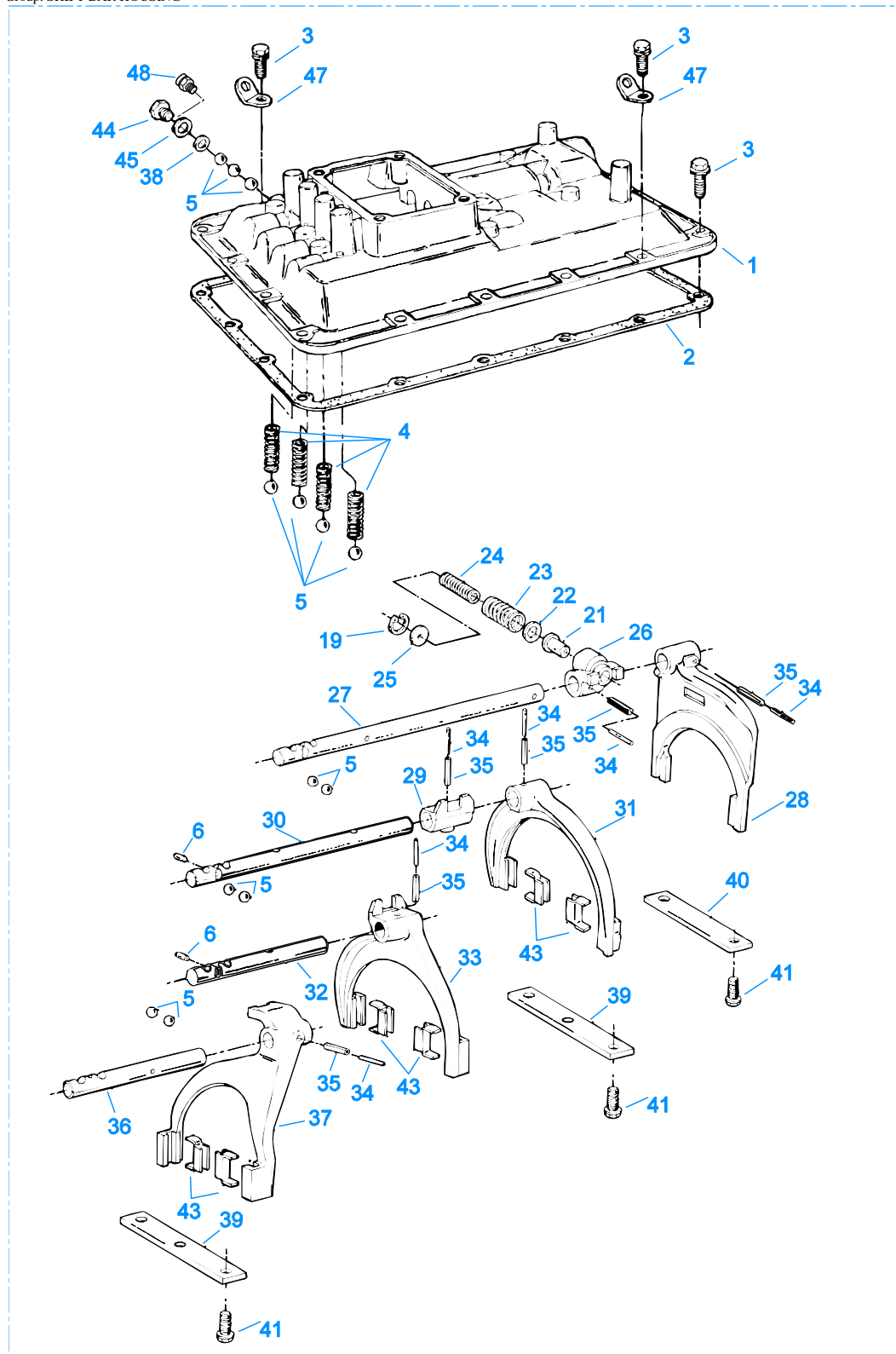
Item	Current Part	Description	Replaced Part	Qty.	Notes	Kits/Assys Where Needed
999	A-6083	M/R SLAVE CONTROL ASSY		1	LEVER HEIGHT 3-3/4" SPRING AND WASHER INCLUDED	
999	K-7069	REMOTE CONTROL KIT	A - 5403	1	LEVER HEIGHT 85MM (3.35")	



00453-8-93

REVERSE IDLER GEAR ASSY

Item	Current Part	Description	Replaced Part	Qty.	Notes	Kits/Assys Where Needed
14	3315673	WASHER		2		K-7026
15	3315674	BEARING		2		K-2041
16	3315676	SPACER		1		
17	K-3530	REVERSE IDLER GEAR KIT	3315753	1		
18	3315672	REVERSE IDLER SHAFT		1		
19	10J06	STEEL BALL		1	3/16"	K-7026
20	4304320	REVERSE IDLER GEAR		1		K-3530



999

00105-4-94 SBH 51

SHIFT BAR HOUSING

Item	Current Part	Description	Replaced Part	Qty.	Notes	Kits/Assys Where Needed
1	A-6744	SHIFT BAR HSG ASSY	3315760 ,4302947	1		

Item	Current Part	Description	Replaced Part	Qty.	Notes	Kits/Assys Where Needed
			,4303606 ,A - 6536 ,A - 6537			
2	4300854	GASKET	3315678	1		K-2181,S-7013
3	X-8C-600	CAPSCREW	239611	17	3/8"-16X1"	
4	3315765	SPRING		4		K-2041
5	10J14	STEEL BALL		13	7/16"	K-7026
6	201044	PIN		2		
19	21736	SNAP RING		1		
21	3316296	PLUNGER		1		
22	3316298	WASHER		1		
23	21723	SPRING		1		
24	21724	SPRING		1		
25	3316295	WASHER		1		
26	3316300	SHIFT BLOCK REV		1		
27	23296	YOKE BAR REV		1		
28	3315897	YOKE ASSY REV		1		
29	3315778	SHIFT BLOCK 1ST/2ND		1		
30	23297	YOKE BAR 1ST/2ND	3315759	1		
31	3315772	YOKE ASSY 1ST/2ND	3315770	1		
32	23298	YOKE BAR 3RD/4TH	21804	1		
33	3315777	YOKE ASSY 3RD/4TH	3315775	1		
34	1JM6028	PIN		6		
35	1JM3528	PIN		6		
36	23299	YOKE BAR 5TH/6TH	3315763	1		
37	3315782	YOKE ASSY 5TH/6TH	3315780	1		
38	4301719	BALL RETAINER- REVERSE		1		
39	4301279	SHIFT BAR RETAINER	3315756	2		
40	3315757	SHIFT BAR RETAINER		1		
41	233043	CAPSCREW		11	3/8"-16X1"	
43	227675	INSERT - YOKE PAD		6		K-7026
44	235052	CA PLUG		1	9/16 - 18	
44	4303656	PLUG	15917	1	9/16 - 18, THREADED	
45	15900	GASKET		1		S-7013
47	238370	LIFTING EYE		2		
48	22941	NEUTRAL LIGHT SWITCH		1	SWITCH NORMALLY CLOSED	
999	S-7013	SHIFT BAR HSG ASSY	3315760 ,4302947	1	COMPLETE	

