



Eaton Fuller FS-8206A Transmission Parts Manual

This is Eaton Fuller FS-8206A Transmission parts manual brought to you by Pro Gear and Transmission to assist you identifying the parts for your Eaton / Fuller transmission unit.

If you need any assistance identifying the correct Eaton / Fuller unit for your truck and equipment, contact your Eaton replacement parts specialists at Pro Gear and Transmission.

Pro Gear stocks every part for your Eaton transmission including: Valve Assemblies, Synchronizers, Yoke Assemblies, O-Ring Kits, Drive Gears, Gaskets, Bearing and Seal Kits, and much more.

Pro Gear and Transmission has same day shipping and thousands of products in stock and ready to ship internationally for your next project.

For parts or service contact the Eaton transmission specialists at Pro Gear & Transmission, Inc.

 CALL US

 EMAIL US

 VISIT MODEL PAGE

 VISIT ONLINE STORE



Roadranger®

More time on the road®

Illustrated Parts List

FS-8206A
July 2011

Contents

| | |
|---|----|
| How To Use The Illustrated Parts List | 3 |
| CASE..... | 4 |
| COUNTERSHAFT ASSY | 6 |
| INPUT SHAFT..... | 7 |
| KITS & ASSEMBLIES | 8 |
| LEVER ASSY | 9 |
| MAINSHAFT ASSY..... | 12 |
| MISCELLANEOUS | 14 |
| REVERSE IDLER GEAR ASSY | 15 |
| SHIFT BAR HOUSING | 16 |

How To Use The Illustrated Parts List

The information contained in this document is subject to frequent updates. Therefore, for the latest information available, please visit the interactive Electronic Parts Catalog at www.roadranger.com/epc.

Model Designation or Nomenclature

- For information regarding Model Designation and Nomenclature, visit www.roadranger.com.

Kits and Assemblies (K/A's)

- Kits and Assemblies contain groups of individual or assembled parts developed for optimal replacement or repair of a service problem.
- Kits and Assemblies are shown with applicable parts groupings in the parts listings.

Identifying Kits and Assemblies

A- Part numbers beginning with the letter 'A' are pre-assembled Production Assemblies

K- Part numbers beginning with the letter 'K' are kits that are not assembled

S- Part numbers beginning with the letter 'S' are pre-assembled Service Assemblies

- Note: Some Production Assemblies do not begin with a letter prefix (Midrange only).

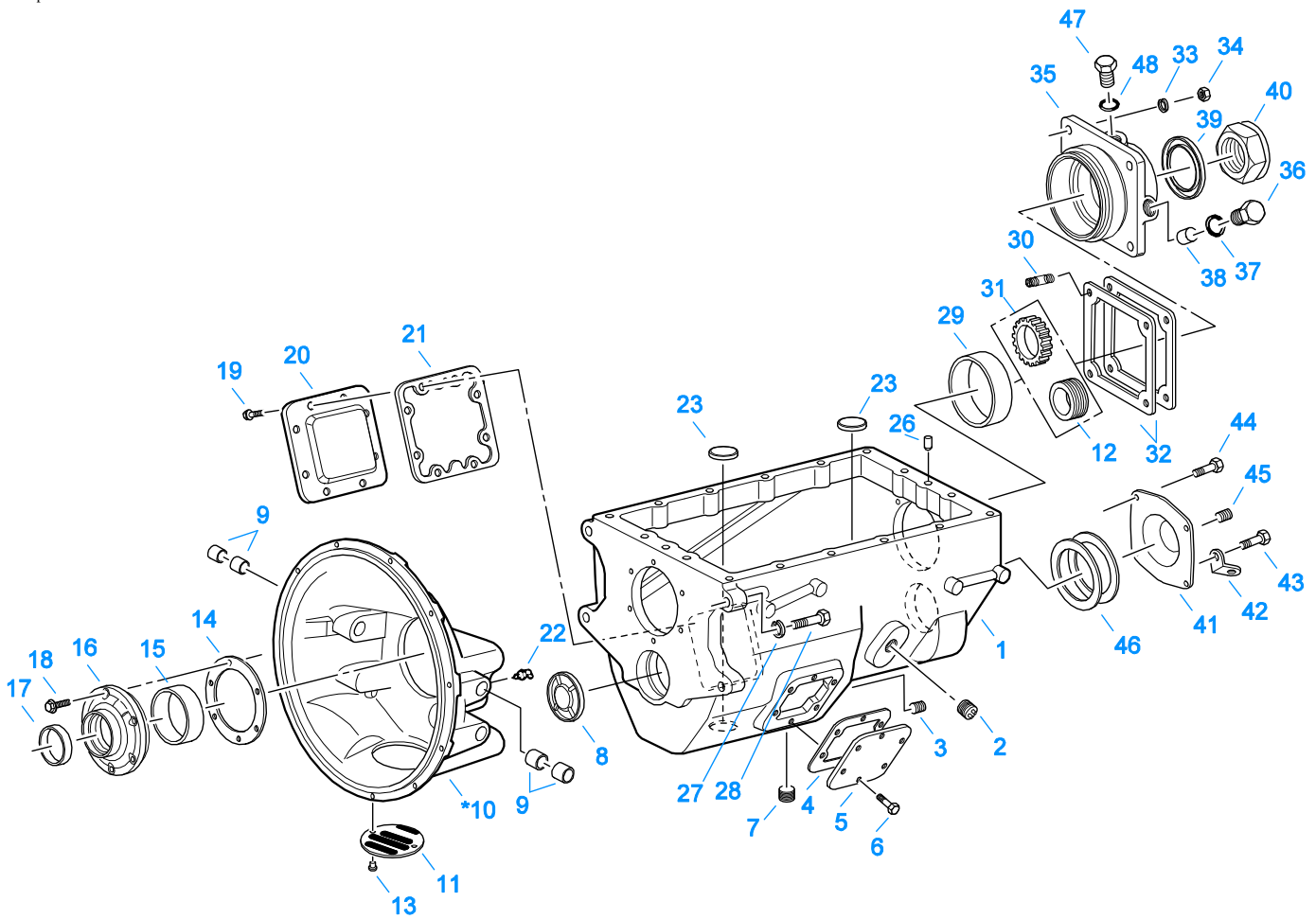
Illustrations

- Illustrations show parts in assembly groups.
- Item numbers on illustrations correspond with parts listings on pages adjacent to the illustration.
- Notes are included on illustrations where additional information is needed.

Parts Listing

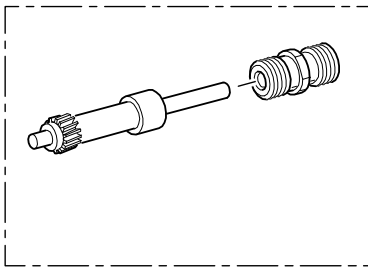
Parts listings are defined by parts groupings and are broken down by service assemblies. Parts listings identify a part for servicing with the following categories

- **Item Number** - corresponding with numbers on illustrations for part identification.
- **Current Part** - identifies part as it is available for service.
- **Description** - specifies part name or description.
- **Replaced Part** - quantity quantity required for assembly.
- **Quantity** - defines unique characteristics or requirements.
- **Notes** - indicates Kits or Assemblies that contain a particular part.
- **Kits/Assy's Where Used**

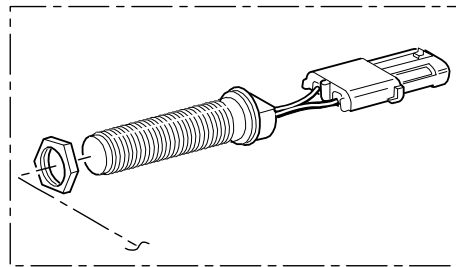


Rear Bearing Cover Options

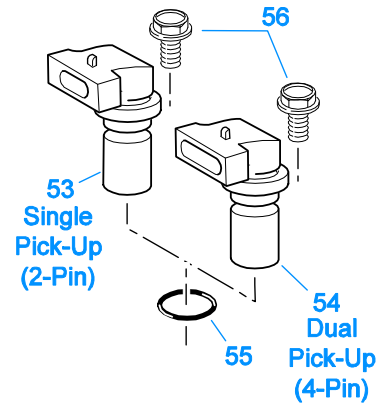
Mechanical



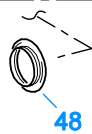
Magnetic "Threaded"



Magnetic "Push In"



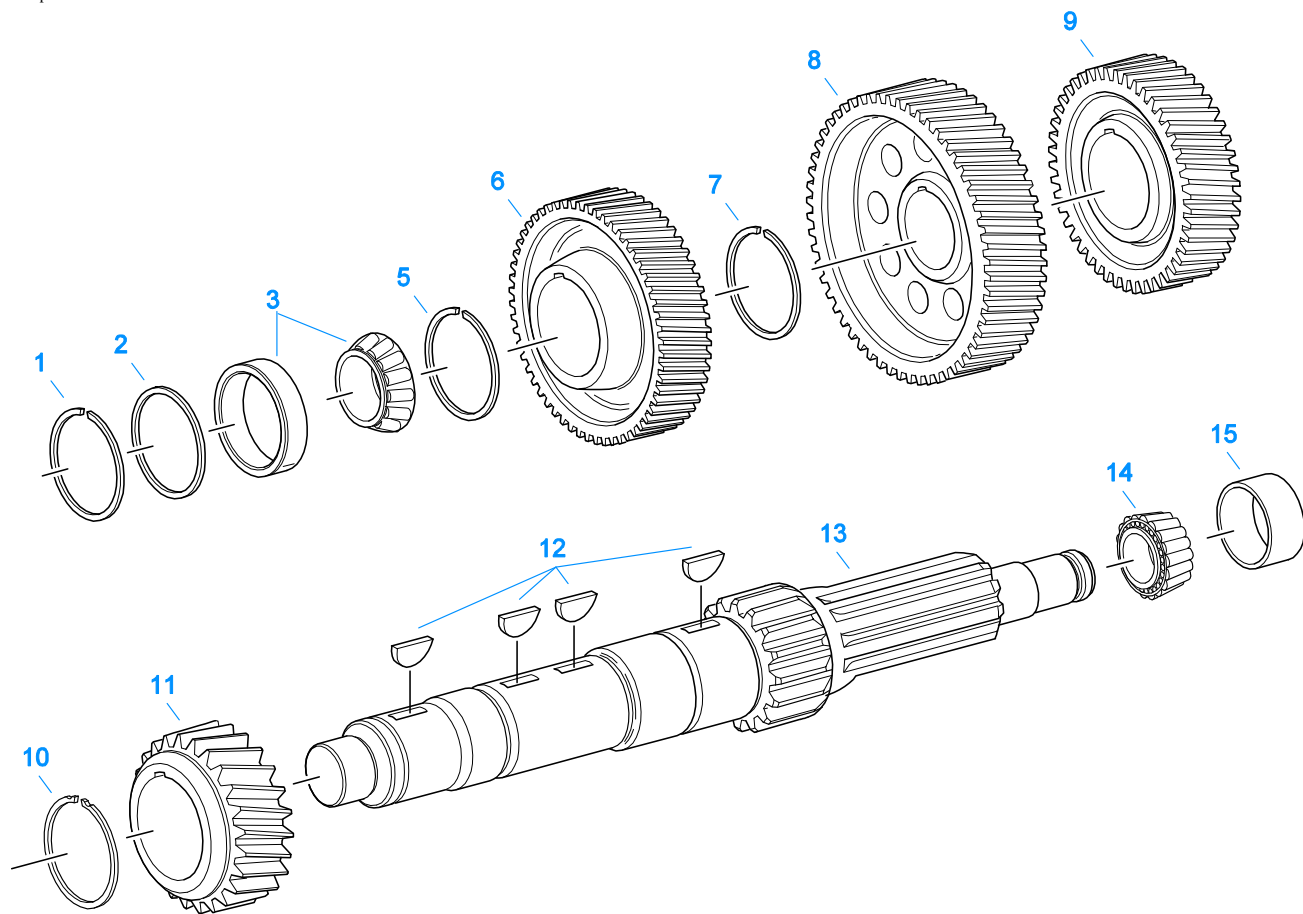
00183-8-97



CASE

| Item | Current Part | Description | Replaced Part | Qty. | Notes | Kits/Assys Where Needed |
|------|--------------|-------------|---------------|------|--------------|-------------------------|
| 1 | S-1878 | CASE ASSY | 4300572 | 1 | | |
| 2 | X-12-2007 | PIPE PLUG | X12 2006 | 1 | | |
| 3 | X-12-802 | PIPE PLUG | X12 800 | 1 | 1/2" | |
| 4 | 4305309 | GASKET | 1684 | 1 | | K-2465 |
| 5 | 14575 | PTO COVER | 4302254 | 1 | | |
| 6 | X-8-686 | CAPSCREW | | 6 | 3/8"-16X3/4" | |

| Item | Current Part | Description | Replaced Part | Qty. | Notes | Kits/Assys Where Needed |
|------|--------------|-------------------------------|---|------|---|-------------------------|
| 7 | X-12-1207 | PIPE PLUG | X12 1202 ,X12 1206 | 1 | 3/4" MAGNETIC | |
| 8 | 3315679 | PLUG | | 1 | | K-2490 |
| 9 | 12815 | BUSHING | | 4 | | A-5634 |
| 10 | A-5634 | CLUTCH HSG ASSY | 23726 ,3316236 .3316237 ,A - 5632 ,A - 5771 | 1 | #2 ALUMINUM, ABOVE CENTER LINE PULL TYPE | |
| 11 | 23380 | COVER | 206466 | 1 | | A-5634 |
| 12 | 86312 | NO LONGER AVAILABLE | | 1 | | |
| 13 | X-8L-408 | SCREW & WASHER ASSY | | 2 | | |
| 14 | 3315659 | GASKET | | 1 | | K-2465 |
| 15 | 675250 | BEARING CUP | | 1 | 1.75" INPUT | K-2490 |
| 16 | 4300888 | FRONT BRG COVER-PULL | | 1 | | |
| 17 | 22329 | OIL SEAL | | 1 | SHAFT 2, WIDTH .375 | K-2490 |
| 18 | 239614 | SCREW | | 6 | 5/16-18X.81 | |
| 19 | X-8-725 | CAPSCREW | X 8 724 | 8 | 7/16"-14X7/8" | |
| 20 | 4302809 | PTO COVER | 16596 ,4300571 | 1 | | |
| 21 | 4305310 | GASKET | 4302810 | 1 | | K-2465 |
| 22 | 4300301 | FITTING-45 DEGREE | 11H15 | 2 | | |
| 23 | 14373 | MAGNET | | 2 | | S-1878 |
| 26 | 20719 | DOWEL PIN | | 1 | | S-1878 |
| 27 | X-3-1000 | LOCKWASHER | | 4 | 5/8" | |
| 28 | X-8-1011 | CAPSCREW | 1C1036 | 4 | 5/8"-11X2-1/4" | |
| 29 | 675250 | BEARING CUP | | 1 | 1.75" INPUT | K-2490 |
| 30 | 239433 | STUD | | 4 | 1/2"-20X2-5/16" | |
| 31 | 4300675 | SPEEDO ROTOR | | 1 | 16 TEETH | |
| 31 | 4301984 | SPEEDO ROTOR | | 1 | 6 TEETH | |
| 32 | 3315662 | SHIM .004 | | 1 | QUANTITY AS REQUIRED | K-2183 |
| 32 | 3315663 | SHIM .007 | | 1 | QUANTITY AS REQUIRED | K-2183 |
| 32 | 3315664 | SHIM .010 | | 1 | QUANTITY AS REQUIRED | K-2183 |
| 32 | 3315665 | SHIM .020 | | 1 | QUANTITY AS REQUIRED | K-2183 |
| 32 | 4300978 | SHIM .040 | | 1 | | |
| 33 | 239436 | WASHER | | 4 | 1/2" | |
| 34 | 86D8 | NUT | 86D08 | 4 | 1/2"-20 | |
| 35 | K-7048 | REAR BRG COVER KIT | 4302624 | 1 | USE 20807 OIL SEAL NOTE: PUSH- IN TYPE SPEEDO SENSOR | |
| 35 | S-7043 | REAR BRG COVER ASSY | 22758 ,4302019 | 1 | USE 20807 OIL SEAL NOTE: SENSOR SEAL REQUIRED | |
| 35 | S-7044 | REAR BRG COVER ASSY | 4302352 | 1 | USE 20807 OIL SEAL NOTE: SENSOR SEAL REQUIRED | |
| 36 | 20226 | PLUG-MECHANICAL | 2237 | 1 | | S-7043 |
| 37 | 14142 | -O- RING | | 1 | | K-7048,S-7043 |
| 38 | 7992 | BUSHING | | 1 | | S-7043 |
| 39 | K-2406 | OIL SEAL KIT | 20807 ,20808 | 1 | | |
| 40 | 12128 | NUT | | 1 | | |
| 41 | 4301605 | REAR BEARING COVER | | 1 | | S-1878 |
| 42 | 4300363 | LIFTING EYE | | 1 | | |
| 43 | X-8C-830 | HEX HEAD SCREW/WASHER ASSY | X-8C-826 | 1 | .500-13 X 1.490 | |
| 44 | X-8L-808 | CAPSCREW | | 3 | 1/2"-13X1-1/4" | |
| 45 | X-12-405 | PIPE PLUG | | 1 | | |
| 46 | 3315681 | SHIM .004 | | 1 | QUANTITY AS REQUIRED | K-2183 |
| 46 | 3315682 | SHIM .007 | | 1 | QUANTITY AS REQUIRED | K-2183 |
| 46 | 3315683 | SHIM .010 | | 1 | QUANTITY AS REQUIRED | K-2183 |
| 46 | 3315684 | SHIM .020 | | 1 | QUANTITY AS REQUIRED | K-2183 |
| 47 | 20224 | PLUG-MAGNETIC | | 1 | | S-7043 |
| 48 | 4301954 | SENSOR SEAL | | 1 | | S-7043,S-7044 |
| 53 | K-3454 | SPEED SENSOR KIT | A - 6398 ,A - 6724 | 1 | SINGLE PICK-UP (2 PIN) | |
| 54 | K-3455 | SPEED SENSOR KIT, DUAL | A - 7046 ,A - 7518 | 1 | DUAL PICK-UP (4 PIN) | |
| 55 | 14142 | -O- RING | | 1 | | K-7048,S-7043 |
| 56 | X-8C-409 | CAPSCREW | | 1 | 1/4"-20X5/8" (RETAINER FOR SENSOR) | |

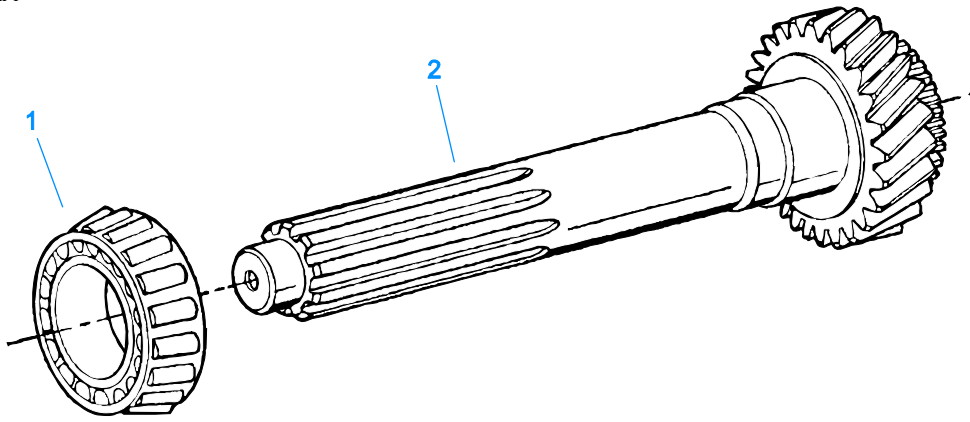


00304-8-97 82

COUNTERSHAFT ASSY

| Item | Current Part | Description | Replaced Part | Qty. | Notes | Kits/Assys Where Needed |
|------|--------------|-------------------------|-----------------|------|-------|-------------------------|
| 1 | 3315686 | SNAP RING | | 1 | | K-2467,K-2490 |
| 2 | 3315687 | WASHER | | 1 | | K-2467 |
| 3 | K-3795 | COUNTERSHAFT BRG KIT | 1313645, 791943 | 1 | | |
| 5 | 17399 | SNAP RING | | 1 | | K-2467,K-2490 |
| 6 | 23378 | DRIVE GEAR-COUNTERSHAFT | 23047 | 1 | | |
| 7 | 22328 | SNAP RING | | 1 | | K-2467,K-2490 |
| 8 | 22304 | 5TH GEAR-COUNTERSHAFT | | 1 | | |
| 9 | 23375 | 4TH GEAR-COUNTERSHAFT | 22306 | 1 | | |
| 10 | 22360 | SNAP RING | | 1 | | K-2467,K-2490 |
| 11 | 23373 | 3RD GEAR-COUNTERSHAFT | 23049 | 1 | | |
| 12 | X-6-E | KEY | | 4 | | |
| 13 | 23371 | COUNTERSHAFT | 23051 | 1 | | |
| 14 | 658981 | BEARING CONE | | 1 | | K-2490 |
| 15 | 660181 | BEARING CUP | | 1 | | K-2490 |

Group: INPUT SHAFT



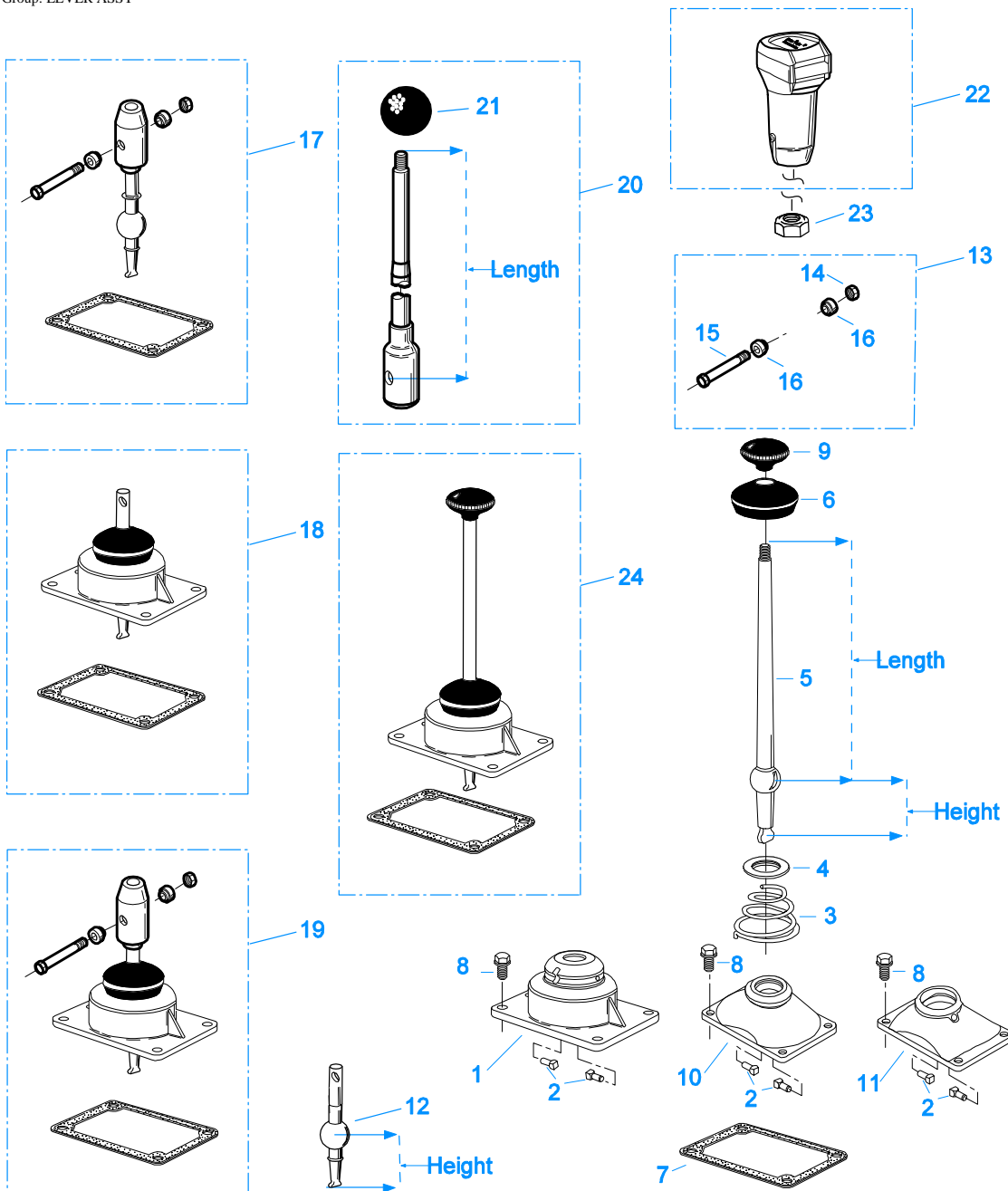
00402-8-97 82

INPUT SHAFT

| Item | Current Part | Description | Replaced Part | Qty. | Notes | Kits/Assys Where Needed |
|------|--------------|--------------|---------------|------|-------------------------------|-------------------------|
| 1 | 742259 | BEARING CONE | | 1 | 1.75" INPUT | K-2490 |
| 2 | 23376 | INPUT SHAFT | 23046 | 1 | 1.75" PUSH/PULL, .9837 PILOT | |
| 2 | 23377 | INPUT SHAFT | 23043 | 1 | 1.75" PUSH/PULL, 1.1805 PILOT | |

KITS & ASSEMBLIES

| Item | Current Part | Description | Replaced Part | Qty. | Notes | Kits/Assys Where Needed |
|--------|--------------|----------------------|-----------------|------|--------------|-------------------------|
| K-2003 | | PIN & BUSHING KIT | | 1 | | |
| K-2183 | | SHIM KIT | | 1 | | K-2490 |
| K-2406 | | OIL SEAL KIT | 20807 ,20808 | 1 | | |
| K-2465 | | GASKET KIT | | 1 | | K-2490 |
| K-2467 | | SMALL PARTS KIT | | 1 | | |
| K-2470 | | SYNCHRONIZER KIT | | 1 | 3RD-4TH | |
| K-2471 | | SYNCHRONIZER KIT | | 1 | 5TH-6TH | |
| K-2490 | | BASIC REBUILD KIT | | 1 | | |
| K-3795 | | COUNTERSHAFT BRG KIT | 1313645, 791943 | 1 | | |
| K-7048 | | REAR BRG COVER KIT | 4302624 | 1 | | |
| S-1576 | | SHIFT BAR HOUSING | 21956 | 1 | HOUSING ONLY | |
| S-1878 | | CASE ASSY | 4300572 | 1 | | |
| S-2528 | | SHIFT BAR HSG ASSY | 21956 | 1 | COMPLETE | |
| S-7043 | | REAR BRG COVER ASSY | 22758 ,4302019 | 1 | | |
| S-7044 | | REAR BRG COVER ASSY | 4302352 | 1 | | |



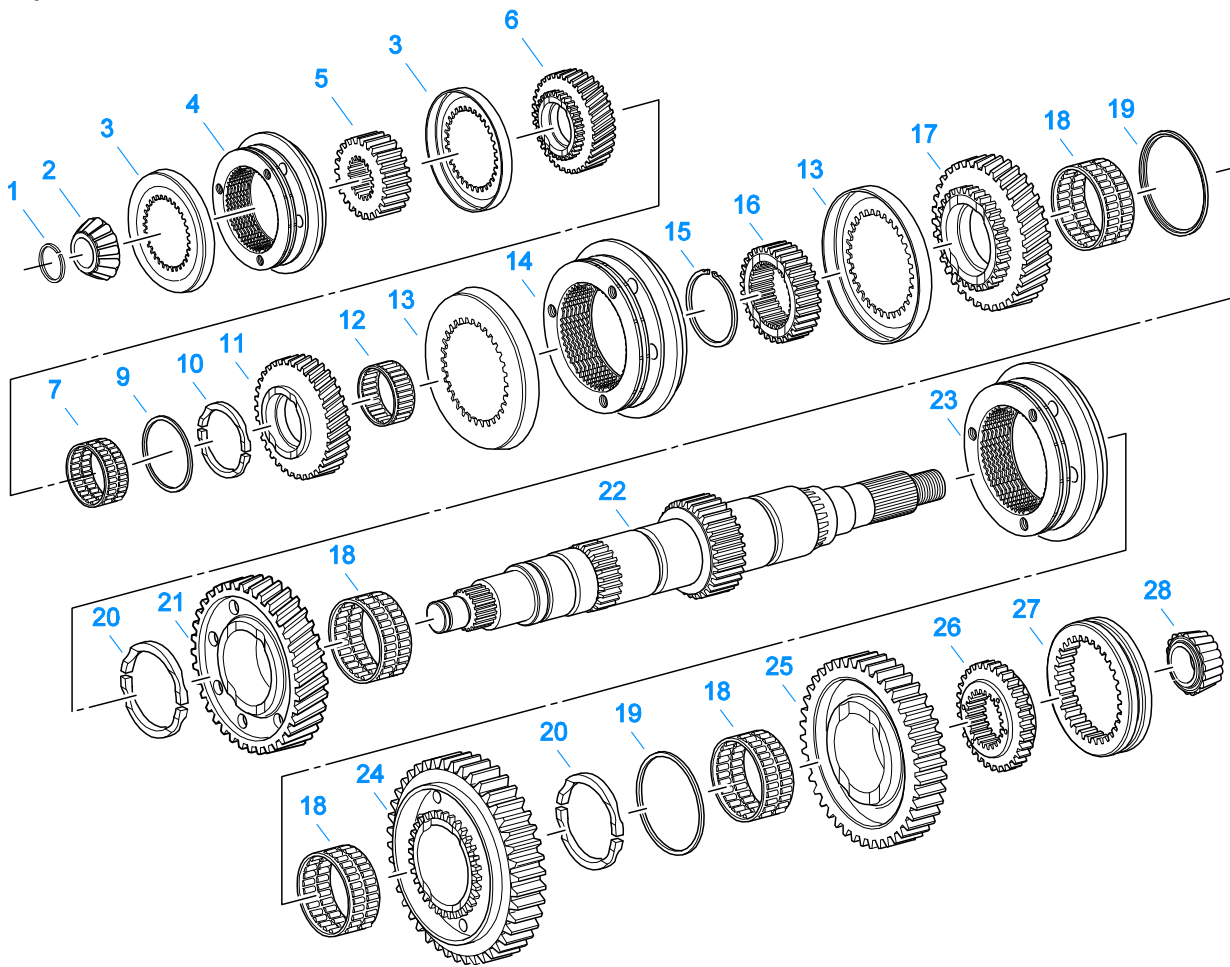
00173-4-95 LA

LEVER ASSY

| Item | Current Part | Description | Replaced Part | Qty. | Notes | Kits/Assys Where Needed |
|------|--------------|---------------------|---------------------------|------|---|---|
| 1 | K-7062 | SHIFT LEVER HSG KIT | 233080 ,4302711 ,A - 6440 | 1 | ALUMINUM HOUSING HIGH - LEVER HEIGHT 3-1/2" | |
| 2 | 201054 | PIN | | 2 | FOR HSGS WITHOUT PIN SLEEVES | |
| 2 | 23180 | PIN | | 2 | FOR HSGS WITH PIN SLEEVES | K-7056,K-7061,K-7062,K-7065,S-1578,S-1697,S-1821,S-1827,S-7015,S-7045,S-7063,S-7064,S-7065,S-7090 |
| 3 | 4300690 | SPRING | 229337 | 1 | | S-1578,S-1697,S-1821,S-1827,S-7015,S-7045,S-7063,S-7064,S-7065,S-7090 |

| Item | Current Part | Description | Replaced Part | Qty. | Notes | Kits/Assys Where Needed |
|------|--------------|--------------------------|----------------------------|------|---|---|
| 3 | 4301936 | SPRING | | 1 | USE W/CAST IRON SHIFT LEVER HOUSING | |
| 4 | 23181 | WASHER | | 1 | | S-1578,S-1697,S-1821,S-1827,S-7015,S-7045,S-7063,S-7064,S-7065,S-7090 |
| 5 | 21722 | SHIFT LEVER 27-1/2" | | 1 | USE WITH HIGH TOWER 27-1/2" STRAIGHT LEVER - "BEND TO SUIT" 3/8" X 24 THREAD | S-1578 |
| 5 | 22138 | SHIFT LEVER 33" | | 1 | USE WITH HIGH TOWER 33" STRAIGHT LEVER - "BEND TO SUIT" 3/8" X 24 THREAD | S-7090 |
| 5 | 22139 | SHIFT LEVER 31-1/2" | | 1 | USE WITH MEDIUM TOWER 31-1/2" STRAIGHT LEVER - "BEND TO SUIT" 3/8" X 24 THREAD | |
| 5 | 241076 | SHIFT LEVER 27-1/2" | | 1 | USE WITH MEDIUM TOWER 27-1/2" STRAIGHT LEVER - "BEND TO SUIT" 3/8" X 24 THREAD | S-1827 |
| 5 | 4302823 | SHIFT LEVER 33" | | 1 | USE WITH LOW TOWER 33" STRAIGHT LEVER - "BEND TO SUIT" 3/8" X 24 THREAD | S-7045 |
| 6 | 202484 | DUST COVER | | 1 | | S-1578,S-1697,S-1821,S-1827,S-7015,S-7045,S-7063,S-7064,S-7065,S-7090 |
| 7 | 4301958 | GASKET | | 1 | | K-2465,K-7056,K-7057,K-7058,K-7059,K-7061,K-7062,K-7065,S-1578,S-1697,S-1821,S-1827,S-7015,S-7045,S-7063,S-7064,S-7065,S-7090 |
| 8 | X-8C-604 | CAPSCREW | | 4 | 3/8"-16X1-1/4" | |
| 9 | 201401 | SHIFT KNOB | | 1 | 3/8"X24 THREAD | S-1578,S-7045,S-7090 |
| 10 | K-7061 | SHIFT LEVER HSG KIT | 241075 ,4302711 ,A - 6439 | 1 | ALUMINUM HOUSING MEDIUM - LEVER HEIGHT 3-1/8" | |
| 11 | K-7056 | SHIFT LEVER HSG KIT | 4302654 | 1 | CAST IRON HOUSING LOW - LEVER HEIGHT 2-7/8" | |
| 11 | K-7065 | SHIFT LEVER HSG KIT | 4302704 ,4302711 ,A - 6448 | 1 | ALUMINUM HOUSING LOW - LEVER HEIGHT 2-7/8" | |
| 12 | 22383 | STUB, SHIFT LEVER 3-1/8" | | 1 | MEDIUM - LEVER HEIGHT 3-1/8" | K-7058,S-1821,S-7063 |
| 12 | 22384 | STUB, SHIFT LEVER 3-1/2" | | 1 | HIGH - LEVER HEIGHT 3-1/2" | K-7057,S-1697,S-7065 |
| 12 | 4301937 | STUB, SHIFT LEVER 2-7/8" | | 1 | LOW - LEVER HEIGHT 2-7/8" | K-7059,S-7015,S-7064 |
| 13 | K-2003 | PIN & BUSHING KIT | | 1 | | |
| 14 | X-9-503 | NUT | | 1 | | |
| 15 | X-8-560 | SCREW | | 1 | | |
| 16 | 21246 | BUSHING | | 2 | | K-2003,K-7057,K-7058,K-7059,S-7063,S-7064,S-7065 |
| 17 | K-7057 | SERVICE LEVER KIT 3-1/2" | | 1 | HIGH - LEVER HEIGHT 3-1/2" NOTE: REQUIRES EXISTING LEVER TO BE CUT AND WELDED (INSTRUCTIONS INCLUDED) | |
| 17 | K-7058 | SERVICE LEVER KIT 3-1/8" | | 1 | MEDIUM - LEVER HEIGHT 3-1/8" NOTE: REQUIRES EXISTING LEVER TO BE CUT AND WELDED (INSTRUCTIONS INCLUDED) | |
| 17 | K-7059 | SERVICE LEVER KIT 2-7/8" | | 1 | LOW - LEVER HEIGHT 2-7/8" NOTE: REQUIRES EXISTING LEVER TO BE CUT AND WELDED (INSTRUCTIONS INCLUDED) | |
| 18 | S-1697 | ISOLATOR LVR ASSY 3-1/2" | | 1 | HIGH - LEVER HEIGHT 3-1/2" | |
| 18 | S-1821 | ISOLATOR LVR ASSY 3-1/8" | | 1 | MEDIUM - LEVER HEIGHT 3-1/8" | |
| 18 | S-7015 | ISOLATOR LVR ASSY 2-7/8" | | 1 | LOW - LEVER HEIGHT 2-7/8" | |
| 19 | S-7063 | SERVICE LVR ASSY 3-1/8" | | 1 | MEDIUM - LEVER HEIGHT 3-1/8" NOTE: REQUIRES EXISTING LEVER TO BE CUT AND WELDED (INSTRUCTIONS INCLUDED) | |
| 19 | S-7064 | SERVICE LVR ASSY 2-7/8" | | 1 | LOW - LEVER HEIGHT 2-7/8" NOTE: REQUIRES EXISTING LEVER TO BE | |

| Item | Current Part | Description | Replaced Part | Qty. | Notes | Kits/Assys Where Needed |
|------|--------------|-----------------------------|---------------|------|--|-------------------------|
| 19 | S-7065 | SERVICE LVR ASSY 3-1/2" | | 1 | CUT AND WELDED (INSTRUCTIONS INCLUDED) HIGH - LEVER HEIGHT 3-1/2" NOTE: REQUIRES EXISTING LEVER TO BE CUT AND WELDED | |
| 20 | K-7067 | ISOLATED SHIFT LEVER KIT | | 1 | 29-3/4" STRAIGHT LEVER - "BEND TO SUIT" 1/2" X 13 THREAD | |
| 21 | 17560 | LEVER GRIP | | 1 | 1/2"X13 THREAD | K-7067 |
| 22 | A-6905 | SHIFT KNOB ASSY | | 1 | W/FULLER LOGO, 1/2" X 13 THREAD | |
| 22 | S-2537 | SHIFT KNOB ASSY | | 1 | W/6 SPEED EMBLEM, 1/2" X 13 THREAD | |
| 23 | X-9-802 | NUT | | 1 | 1/2"X13 THREAD | |
| 24 | S-1578 | SHIFT LEVER ASSY 3-1/2" | | 1 | COMPLETE ASSY - ALUMINUM HOUSING HIGH - LEVER HEIGHT 3- 1/2" 27-1/2" STRAIGHT LEVER - "BEND TO SUIT" 3/8" X 24 THREAD | |
| 24 | S-1827 | SHIFT LEVER ASSY 3-1/8" | S-7079 | 1 | COMPLETE ASSY - ALUMINUM HOUSING MEDIUM - LEVER HEIGHT 3-1/8" 27-1/2" STRAIGHT LEVER - "BEND TO SUIT" 3/8" X 24 THREAD | |
| 24 | S-7045 | SHIFT LEVER ASSY 2-7/8" | | 1 | COMPLETE ASSY - ALUMINUM HOUSING LOW - LEVER HEIGHT 2- 7/8" 33" STRAIGHT LEVER - "BEND TO SUIT" 3/8" X 24 THREAD | |
| 24 | S-7090 | SHIFT LEVER ASSY 3-1/2" | | 1 | COMPLETE ASSY - ALUMINUM HOUSING HIGH - LEVER HEIGHT 3- 1/2" 33" STRAIGHT LEVER - "BEND TO SUIT" 3/8" X 24 THREAD | |



00206-8-97 82

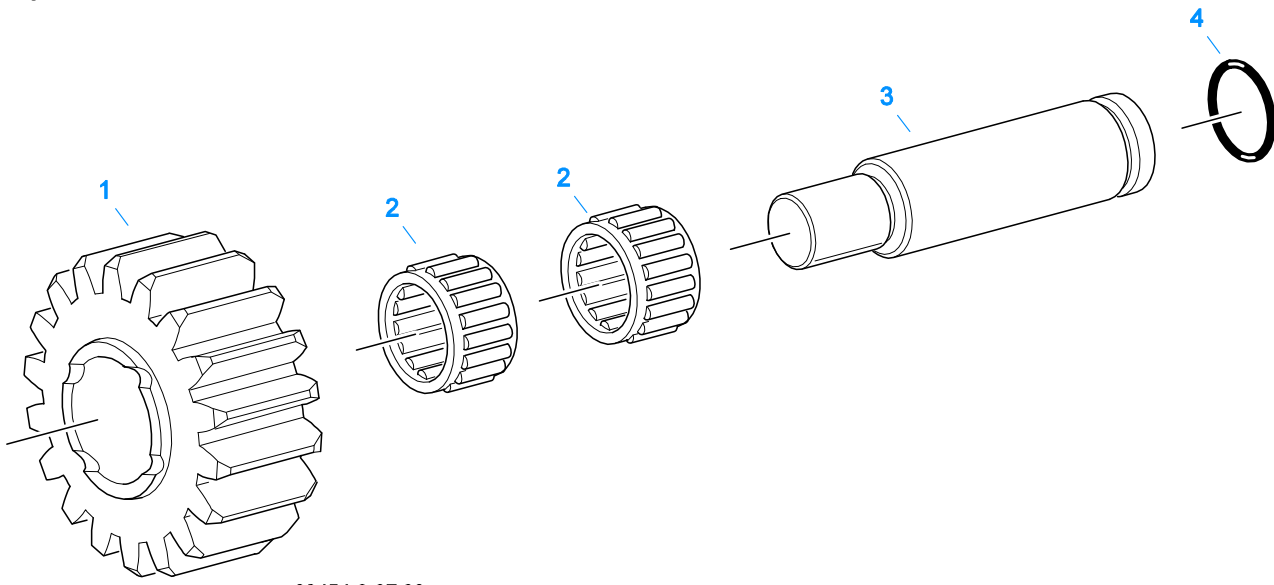
MAINSHAFT ASSY

| Item | Current Part | Description | Replaced Part | Qty. | Notes | Kits/Assys Where Needed |
|------|--------------|------------------------|---------------|------|-------|-------------------------|
| 1 | 3313798 | SNAP RING | | 1 | | K-2467 |
| 2 | 710787 | BEARING CONE | | 1 | | K-2490 |
| 3 | 22315 | SYNCHRONIZER CUP | | 2 | | K-2471 |
| 4 | A-5726 | 5TH-6TH SYNCHRO ASSY | | 1 | | K-2471 |
| 5 | 4300569 | CLUTCH HUB | 22314 | 1 | | |
| 6 | 22303 | 5TH GEAR-MAINSHAFT | | 1 | | |
| 7 | 20704 | BEARING | | 1 | | K-2490 |
| 9 | 20711 | RETAINER | | 1 | | K-2467 |
| 10 | 20710 | WASHER SEGMENT | | 2 | | K-2467 |
| 11 | 23374 | 4TH GEAR-MAINSHAFT | 22305 | 1 | | |
| 12 | 20705 | BEARING | | 1 | | K-2490 |
| 13 | 22317 | SYNCHRONIZER CUP | | 2 | | K-2470 |
| 14 | A-5724 | 3RD-4TH SYNCHRO ASSY | | 1 | | K-2470 |
| 15 | 20712 | SNAP RING | | 1 | | K-2467,K-2490 |
| 16 | 4300792 | CLUTCH HUB | 22316 | 1 | | |
| 17 | 23372 | 3RD GEAR-MAINSHAFT | 23048 | 1 | | |
| 18 | 20706 | BEARING | | 4 | | K-2490 |
| 19 | 4300793 | RETAINER WASHER | 20714 | 2 | | K-2467 |
| 20 | 20713 | WASHER SEGMENT | | 4 | | K-2467 |
| 21 | 23370 | 2ND GEAR-MAINSHAFT | 23050 | 1 | | |
| 22 | 22756 | MAINSHAFT | | 1 | | |
| 23 | A-5723 | 1ST-2ND SYNCHRO ASSY | | 1 | | |
| 24 | 23369 | 1ST GEAR-MAINSHAFT | 22311 | 1 | | |
| 25 | 23520 | REVERSE GEAR-MAINSHAFT | | 1 | | |
| 26 | 22318 | SLIDING CLUTCH | | 1 | | |

| Item | Current Part | Description | Replaced Part | Qty. | Notes | Kits/Assys Where Needed |
|------|--------------|--------------|---------------|------|-------|-------------------------|
| 27 | 22757 | CLUTCH HUB | | 1 | | |
| 28 | 731334 | BEARING CONE | | 1 | | K-2490 |

MISCELLANEOUS

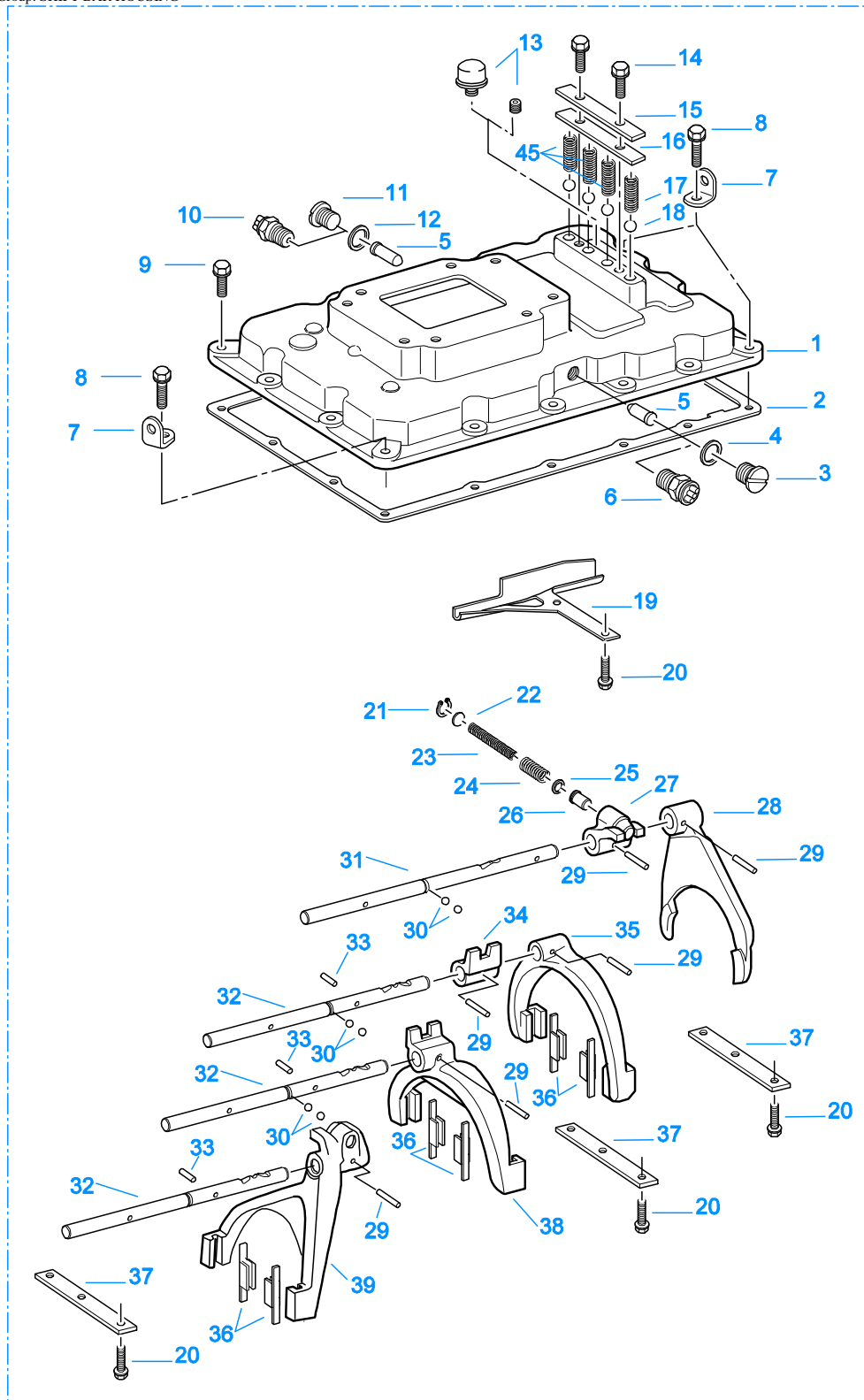
| Item | Current Part | Description | Replaced Part | Qty. | Notes | Kits/Assys Where Needed |
|-------|--------------|------------------|---------------|------|----------------------------------|-------------------------|
| 71203 | | SILICONE LUBE | | 1 | 8 OZ (236.59 CC)-FLEET SIZE | |
| 71204 | | ADHESIVE SEALANT | | 1 | 0.5 CC (SINGLE APPLICATION SIZE) | |
| 71205 | | SEALANT | | 1 | 2 CC (SINGLE APPLICATION SIZE) | |
| 71206 | | SILICONE LUBE | | 1 | 4 CC (SINGLE APPLICATION SIZE) | |
| 71231 | | GASKET SEALANT | | 1 | 8 MILLILITER SIZE | K-2183 |
| 71232 | | THREAD ADHESIVE | | 1 | 10 MILLILITER SIZE | K-2490 |



00454-8-97 82

REVERSE IDLER GEAR ASSY

| Item | Current Part | Description | Replaced Part | Qty. | Notes | Kits/Assys Where Needed |
|------|--------------|--------------------|---------------|------|-------|-------------------------|
| 1 | 20671 | REVERSE IDLER GEAR | | 1 | | |
| 2 | 20707 | BEARING | | 2 | | K-2490 |
| 3 | 22324 | IDLER SHAFT | | 1 | | |
| 4 | 20674 | -O- RING | | 1 | | |



00106-7-97 Standard

SHIFT BAR HOUSING

| Item | Current Part | Description | Replaced Part | Qty. | Notes | Kits/Assys Where Needed |
|------|--------------|-------------------|---------------|------|--------------|-------------------------|
| 1 | S-1576 | SHIFT BAR HOUSING | 21956 | 1 | HOUSING ONLY | |

| Item | Current Part | Description | Replaced Part | Qty. | Notes | Kits/Assys Where Needed |
|------|--------------|----------------------|---------------|------|-------------------------------|-----------------------------|
| 2 | 4300853 | GASKET | | 1 | | K-2465,S-2528 |
| 3 | 22752 | PLUG | | 1 | | S-1576,S-2528 |
| 4 | 17179 | GASKET | | 1 | | K-2465,S-1576,S-2528 |
| 5 | 21970 | PIN | | 2 | | S-2528 |
| 6 | 22941 | NEUTRAL LIGHT SWITCH | 12639 | 1 | SWITCH NORMALLY CLOSED | |
| 7 | 20815 | LIFTING EYE | 17105 | 3 | | |
| 8 | X-8L-602 | CAPSCREW | | 3 | 3/8"-16X1-1/2" | |
| 9 | X-8C-604 | CAPSCREW | | 13 | 3/8"-16X1-1/4" | |
| 10 | 22940 | REVERSE LIGHT SWITCH | 16830 | 1 | SWITCH NORMALLY OPEN | |
| 11 | 4303656 | PLUG | 15917 | 1 | 9/16 - 18, THREADED | S-1576,S-2528 |
| 12 | 15900 | GASKET | | 1 | | K-2465,S-1576,S-2528 |
| 13 | 4304602 | BREATHER | 23605 | 1 | 1/4" NPT | S-2528 |
| 13 | X-12-405 | PIPE PLUG | | 1 | | |
| 14 | X-8L-600 | CAPSCREW | | 2 | 3/8"-16X1" | |
| 15 | 10838 | SPRING COVER | | 1 | | S-2528 |
| 16 | 10839 | GASKET | | 1 | | K-2465,S-2528 |
| 17 | 15918 | SPRING | | 1 | RELAXED LENGTH 1.46" (ORANGE) | |
| 17 | 15919 | SPRING | | 1 | RELAXED LENGTH 1.5" (GREEN) | S-2528 |
| 18 | X-14-800 | STEEL BALL | | 4 | 1/2" | |
| 19 | 22997 | OIL TROUGH | | 1 | | S-2528 |
| 20 | 233043 | CAPSCREW | | 9 | 3/8"-16X1" | S-2528 |
| 21 | 21965 | SNAP RING | | 1 | | K-2467 |
| 22 | 21964 | WASHER | | 1 | | |
| 23 | 21723 | SPRING | | 1 | RELAXED LENGTH 1.36" | |
| 23 | 21724 | SPRING | | 1 | RELAXED LENGTH 3.46" | |
| 23 | 22155 | SPRING | | 1 | RELAXED LENGTH 2.79" (ORANGE) | |
| 24 | 22156 | SPRING | | 1 | RELAXED LENGTH 2.25" (YELLOW) | |
| 24 | 22834 | SPRING | | 1 | RELAXED LENGTH 1.56" (ORANGE) | |
| 25 | 21963 | WASHER | | 1 | | |
| 26 | 21966 | PLUNGER | | 1 | | |
| 27 | 4301163 | SHIFT BLOCK | | 1 | REVERSE | |
| 28 | 22322 | SHIFT YOKE | | 1 | REVERSE | S-2528 |
| 29 | 62516 | ROLL PIN | 62521 | 6 | | S-2528 |
| 30 | X-14-600 | STEEL BALL | | 6 | 3/8" | |
| 31 | 4300628 | YOKE BAR | | 1 | REVERSE | S-2528 |
| 32 | 4300627 | YOKE BAR | | 3 | 1ST-2ND/3RD-4TH/5TH-6TH | S-2528 |
| 33 | 1634 | INTERLOCK PIN | | 3 | | S-2528 |
| 34 | 4301165 | SHIFT BLOCK | 21958 | 1 | 1ST-2ND | S-2528 |
| 35 | A-5344 | SHIFT YOKE ASSY | 22330 | 1 | 1ST-2ND | S-2528 |
| 36 | 21199 | INSERT | | 6 | | A-5343,A-5344,A-5670,K-2467 |
| 37 | 22335 | RETAINER | | 3 | | S-2528 |
| 38 | A-5343 | SHIFT YOKE ASSY | 21959 22331 | 1 | 3RD-4TH | S-2528 |
| 39 | A-5670 | SHIFT YOKE ASSY | 4300039 | 1 | 5TH-6TH | S-2528 |
| 45 | 1064 | SPRING | | 3 | | K-2467,K-2490,S-2528 |
| 999 | S-2528 | SHIFT BAR HSG ASSY | 21956 | 1 | COMPLETE | |