



Eaton Fuller RT-7608LL Transmission Parts Manual

This is Eaton Fuller RT-7608LL Transmission parts manual brought to you by Pro Gear and Transmission to assist you identifying the parts for your Eaton / Fuller transmission unit.


If you need any assistance identifying the correct Eaton / Fuller unit for your truck and equipment, contact your Eaton replacement parts specialists at Pro Gear and Transmission.


Pro Gear stocks every part for your Eaton transmission including: Valve Assemblies, Synchronizers, Yoke Assemblies, O-Ring Kits, Drive Gears, Gaskets, Bearing and Seal Kits, and much more.


Pro Gear and Transmission has same day shipping and thousands of products in stock and ready to ship internationally for your next project.

For parts or service contact the Eaton transmission specialists at Pro Gear & Transmission, Inc.

 CALL US

 EMAIL US

 VISIT MODEL PAGE

 VISIT ONLINE STORE



Roadranger®

More time on the road®

Illustrated Parts List

RT-7608LL
July 2011

Contents

How To Use The Illustrated Parts List	3
AUXILIARY DRIVE GEAR.....	4
CASE (AUX)	5
CASE (FRONT).....	7
COUNTERSHAFT & BRGS(AUX).....	8
COUNTERSHAFT ASSY.....	9
FILTER REGULATOR.....	10
H & C W/19470 VALVE.....	11
H & C W/A-5000 VALVE.....	12
INPUT SHAFT & DRIVE GEAR.....	13
ISOLATORS.....	14
KITS & ASSEMBLIES.....	15
LEVERS/HOUSINGS.....	16
MAINSHAFT & SYNCHRO(AUX).....	18
MAINSHAFT ASSY.....	20
MISC.(INT. BOX).....	21
INTERMEDIATE HSG ASSY.....	21
MISCELLANEOUS.....	23
RANGE CYLINDER.....	24
REDUCTION CYLINDER.....	25
REVERSE IDLER.....	26
ROADRANGER VALVE.....	28
SHIFT BAR HOUSING (STD).....	30
SLAVE VALVE - 19470.....	31
SLAVE VALVE - A-5000.....	32

How To Use The Illustrated Parts List

The information contained in this document is subject to frequent updates. Therefore, for the latest information available, please visit the interactive Electronic Parts Catalog at www.roadranger.com/epc.

Model Designation or Nomenclature

- For information regarding Model Designation and Nomenclature, visit www.roadranger.com.

Kits and Assemblies (K/A's)

- Kits and Assemblies contain groups of individual or assembled parts developed for optimal replacement or repair of a service problem.
- Kits and Assemblies are shown with applicable parts groupings in the parts listings.

Identifying Kits and Assemblies

A- Part numbers beginning with the letter 'A' are pre-assembled Production Assemblies

K- Part numbers beginning with the letter 'K' are kits that are not assembled

S- Part numbers beginning with the letter 'S' are pre-assembled Service Assemblies

- Note: Some Production Assemblies do not begin with a letter prefix (Midrange only).

Illustrations

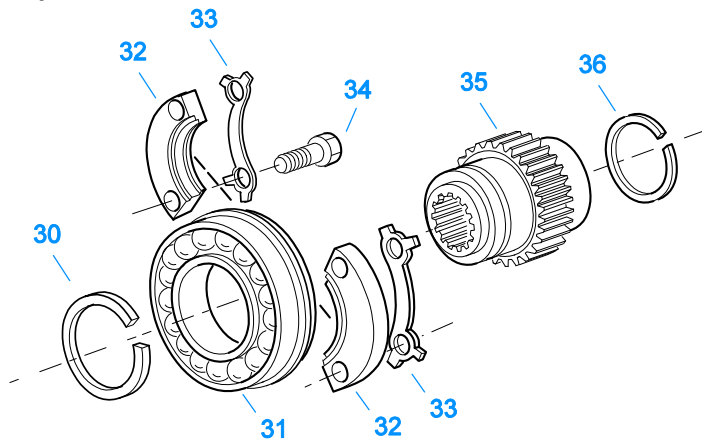
- Illustrations show parts in assembly groups.
- Item numbers on illustrations correspond with parts listings on pages adjacent to the illustration.
- Notes are included on illustrations where additional information is needed.

Parts Listing

Parts listings are defined by parts groupings and are broken down by service assemblies. Parts listings identify a part for servicing with the following categories

- **Item Number** - corresponding with numbers on illustrations for part identification.
- **Current Part** - identifies part as it is available for service.
- **Description** - specifies part name or description.
- **Replaced Part** - quantity quantity required for assembly.
- **Quantity** - defines unique characteristics or requirements.
- **Notes** - indicates Kits or Assemblies that contain a particular part.
- **Kits/Assy's Where Used**

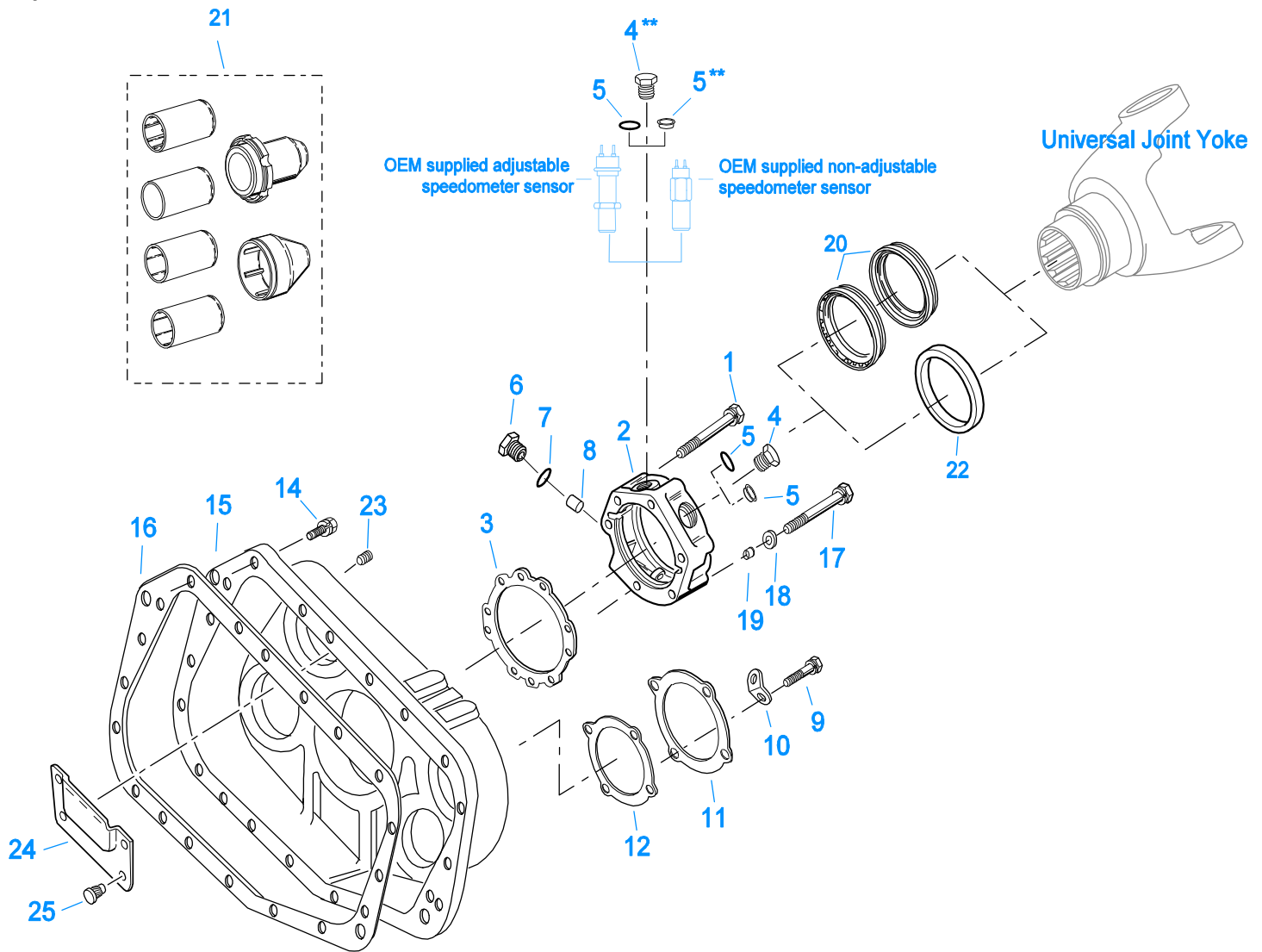
Group: AUXILIARY DRIVE GEAR



10485-8-94

AUXILIARY DRIVE GEAR

Item	Current Part	Description	Replaced Part	Qty.	Notes	Kits/Assys Where Needed
30	15994	SNAP RING		1		
31	81505	BEARING		1		K-1995,K-2047
32	23064	RETAINER		2		
33	K-2425	LOCK SCREW KIT	23066	1		K-1995,K-2047,K-2109
34	X-8-645	CAPSCREW	X 8 612	4	3/8"-16X1"	
35	22371	AUXILIARY DRIVE GEAR		1		
36	14993	SNAP RING		1		K-1995,K-2047,K-2109



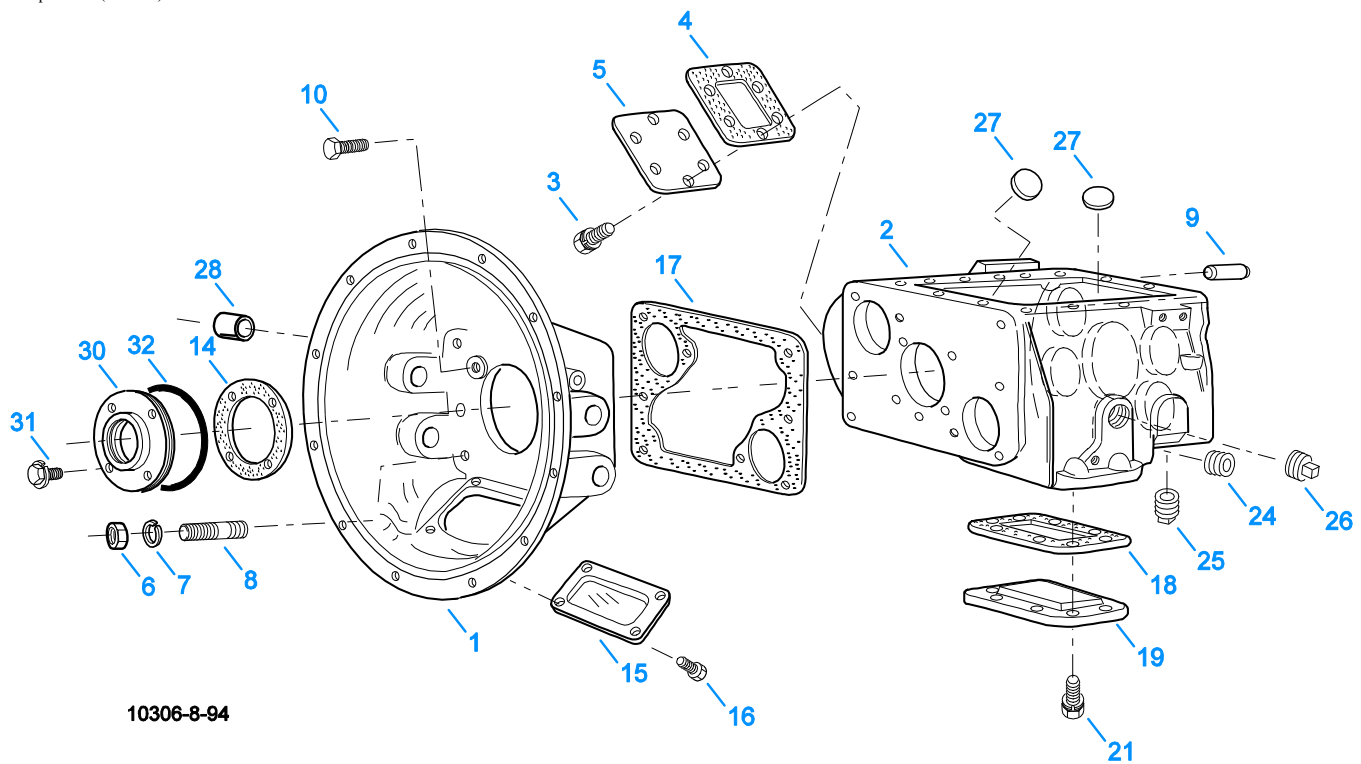
**** Note — Items 4 & 5 / Magnetic Speedometer Openings:**
 Use 13679 "O" ring w/ OEM supplied adjustable speedometer sensor
 and 20225 "O" ring w/ OEM supplied non-adjustable speedometer sensor or Eaton part #20224 Plug

10416-12-94

CASE (AUX)

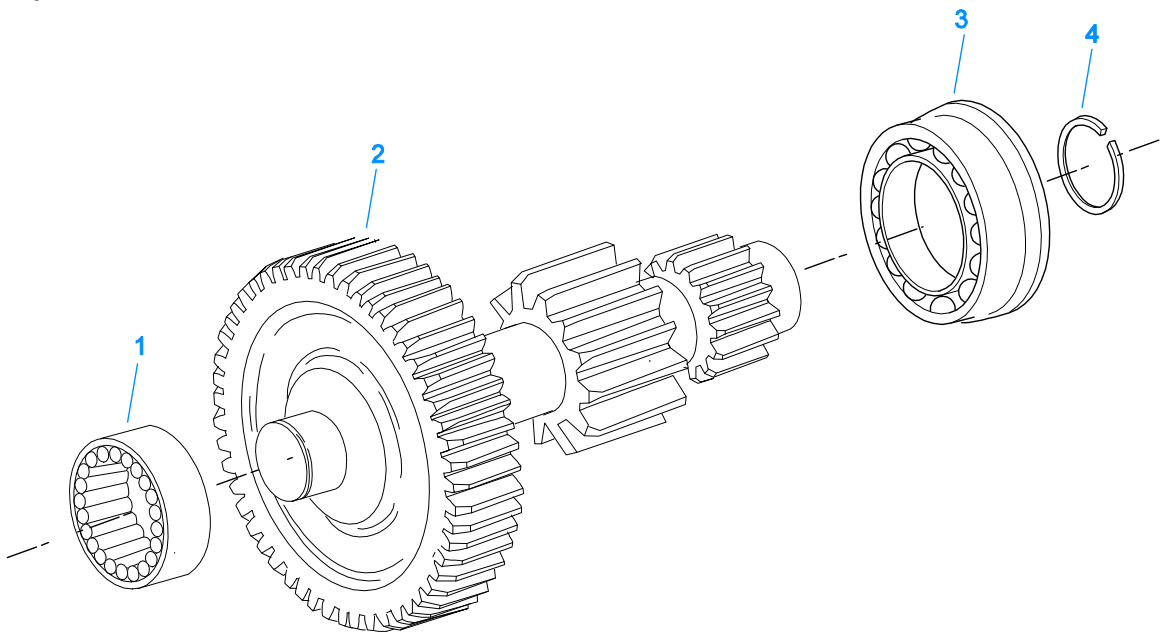
Item	Current Part	Description	Replaced Part	Qty.	Notes	Kits/Assys Where Needed
1	X-8L-605	CAPSCREW		5	3/8"-16X3"	
2	S-2136	REAR BRG COVER ASSY	21950 ,22040 ,22041 ,22042 ,4302006 4302007 ,S - 1563	1	EXTENDED	
3	15532	GASKET		1		K-2110,K-2256,K-2262,S-2136
4	20224	PLUG-MAGNETIC		2		S-2136
5	13679	-O- RING		1	USE W/OEM SUPPLIED ADJUSTABLE SPEEDOMETER SENSOR NOT TO BE USED WITH 4301954 SEAL	
5	20225	-O- RING		2	USE W/20224 PLUG OR OEM SUPPLIED NON-ADJUSTABLE SPEEDOMETER SENSOR NOT TO BE USED WITH 4301954 SEAL	
5	4301954	SENSOR SEAL		2	O-RING NOT REQUIRED	S-2136
6	20226	PLUG-MECHANICAL	2237	1		S-2136

Item	Current Part	Description	Replaced Part	Qty.	Notes	Kits/Assys Where Needed
7	14142	-O- RING		1		K-2079,S-2136
8	7992	BUSHING		1		S-2136
9	X-8-686	CAPSCREW		8	3/8"-16X3/4"	
9	X-8L-600	CAPSCREW		2	3/8"-16X1" USE W/20815 LIFTING EYES	
10	20815	LIFTING EYE	17105	2		
11	16724	REAR BRG COVER		2		
12	17097	GASKET		2		K-2110
14	X-8L-604	CAPSCREW		8	3/8"-16X1-1/4"	
14	X-8L-609	CAPSCREW		9	3/8"-16X1-3/4"	
14	X-8L-614	CAPSCREW		2	3/8"-16X2"	
15	S-1300	NO LONGER AVAILABLE	18764 ,18787	1		
15	S-1301	NO LONGER AVAILABLE	18765	1	USE W/OIL COOLER	
16	14335	GASKET		1		K-2110
17	X-8-682	CAPSCREW		1	3/8"-16X3"	
18	17106	GASKET		1		K-2256,K-2262,S-2136
19	19709	COLLAR		1		K-2110,K-2256,K-2262,S-2136
20	K-2262	OIL SEAL W/SLINGER	19109 ,20807 ,20808	1	"FOR MECHANICAL COVER"	
21	K-3651	OIL SEAL TOOL KIT		1		
22	K-2262	OIL SEAL W/SLINGER	19109 ,20807 ,20808	1	"FOR MECHANICAL COVER"	
23	X-12-404	PIPE PLUG		1	1/4" NPT	
24	K-1037	RESERVOIR REPL KIT	17503	1		
25	X-13-217	DRIVE SCREW		4		



CASE (FRONT)

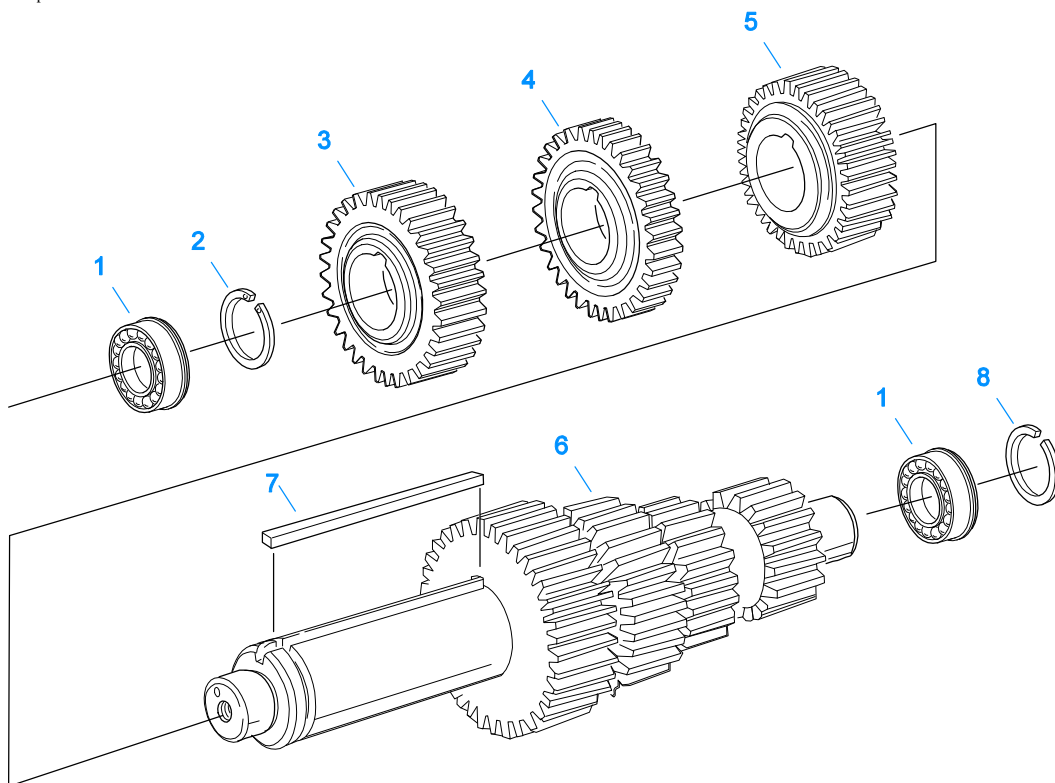
Item	Current Part	Description	Replaced Part	Qty.	Notes	Kits/Assys Where Needed
1	A-3711	CLUTCH HOUSING ASSY		1	#2 PULL	
1	S-1085	CLUTCH HOUSING ASSY	18130	1	#1 PULL	
2	S-1616	CASE ASSY	23060	1		
3	X-8-686	CAPSCREW		6	3/8"-16X3/4"	
4	4305309	GASKET	1684	1		K-2110
5	14575	PTO COVER	4302254	1		
6	X-1-1012	HEX NUT	X-1-1005	6	.625-18	
7	X-10-1005	WASHER	X 3 1000 ,X10 1000 .X10 1004	6	1.23 X 6.60	
8	14554	STUD	1632 ,6579	6	5/8" X 2-3/16"	
9	14334	DOWEL		2		
10	X-8L-808	CAPSCREW		2	1/2"-13X1-1/4"	
12	X-8L-604	CAPSCREW		4	3/8"-16X1-1/4"	
14	20789	GASKET		1		K-2110
15	14507	HAND HOLE COVER		1	#2 PULL	
15	4305230	HAND HOLE COVER	11453	1	#1 PULL	A-3711
16	239614	SCREW	X-8L-509	4	5/16-18X.81 QUANTITY DEPENDENT ON DESIGN	
17	20579	GASKET		1		K-2110
18	4305310	GASKET	4302810	1		K-2110
19	4302809	PTO COVER	16596 ,4300571	1		
21	X-8-725	CAPSCREW	X 8 724	8	7/16"-14X7/8"	
24	X-12-802	PIPE PLUG	X12 800	1	1/2"	
25	X-12-1207	PIPE PLUG	X12 1202 ,X12 1206	1	3/4" MAGNETIC	
26	X-12-2002	PIPE PLUG		1	1-1/4"	
27	14373	MAGNET		2		S-1616,S-1617
28	12815	BUSHING		4		A-3711,S-1085
30	20777	FRONT BRG COVER		1	1-3/4" SHAFT	
30	20785	FRONT BRG COVER		1	2" SHAFT	
32	20635	-O- RING		1		



10453-12-94

COUNTERSHAFT & BRGS(AUX)

Item	Current Part	Description	Replaced Part	Qty.	Notes	Kits/Assys Where Needed
1	23261	BEARING		2		K-1995,K-2047
2	A-5317	WELDED COUNTERSHAFT ASSY		2	D/G 22369 - C/S 22368	
3	81052	BEARING	81008	2		K-1995,K-2047
4	16723	SNAP RING		2		K-1995,K-2047,K-2109

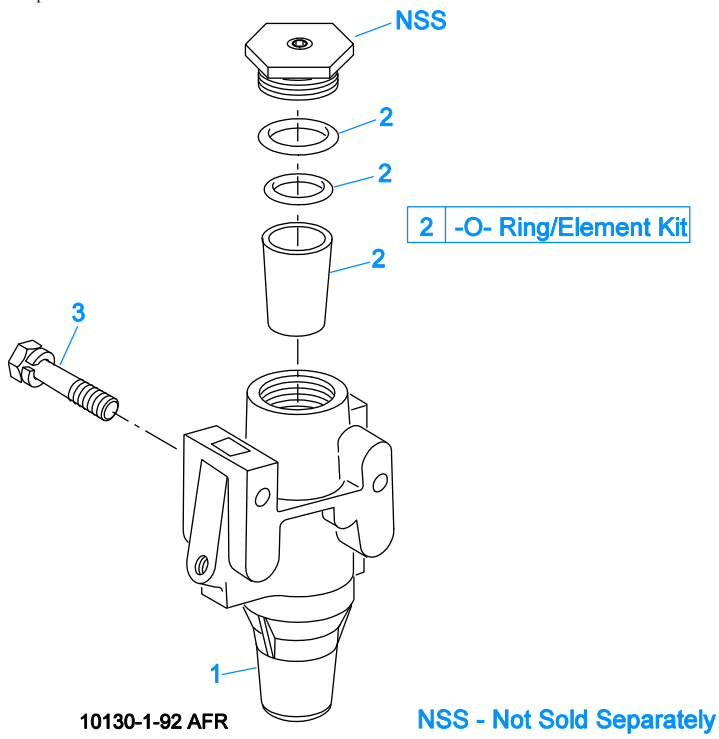


10349-8-94

COUNTERSHAFT ASSY

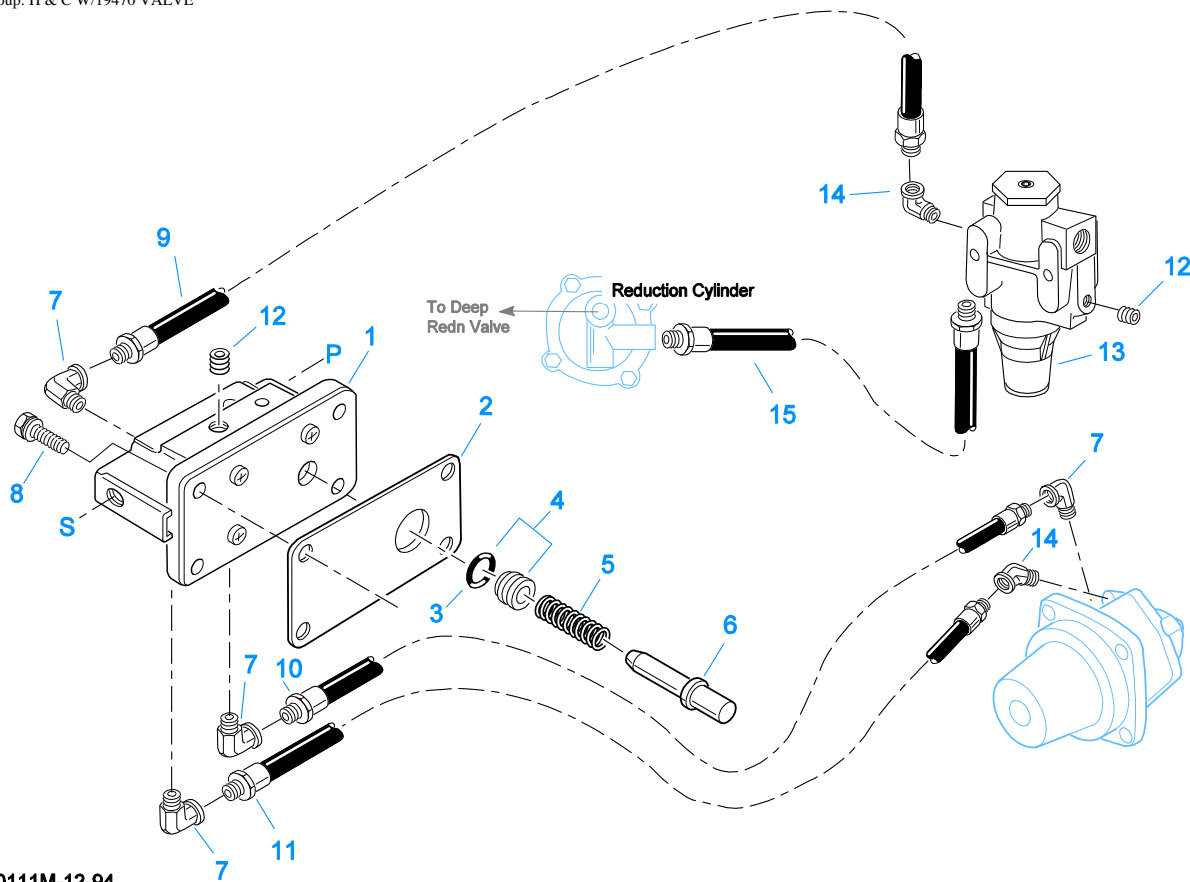
Item	Current Part	Description	Replaced Part	Qty.	Notes	Kits/Assys Where Needed
1	20832	BEARING		4		K-1995,K-2047
2	14286	SNAP RING		2		K-2109
3	20576	DRIVE GEAR-CNTRSHFT		2		
4	20583	PTO GEAR-CNTRSHFT		2		
5	20587	3RD GEAR-CNTRSHFT		2		
6	A-5030	WELDED COUNTERSHAFT ASSY		2	C/S 20795 - 2ND 20834	
7	20604	KEY		2		
8	20628	SNAP RING		2		K-2109

Group: FILTER REGULATOR



FILTER REGULATOR

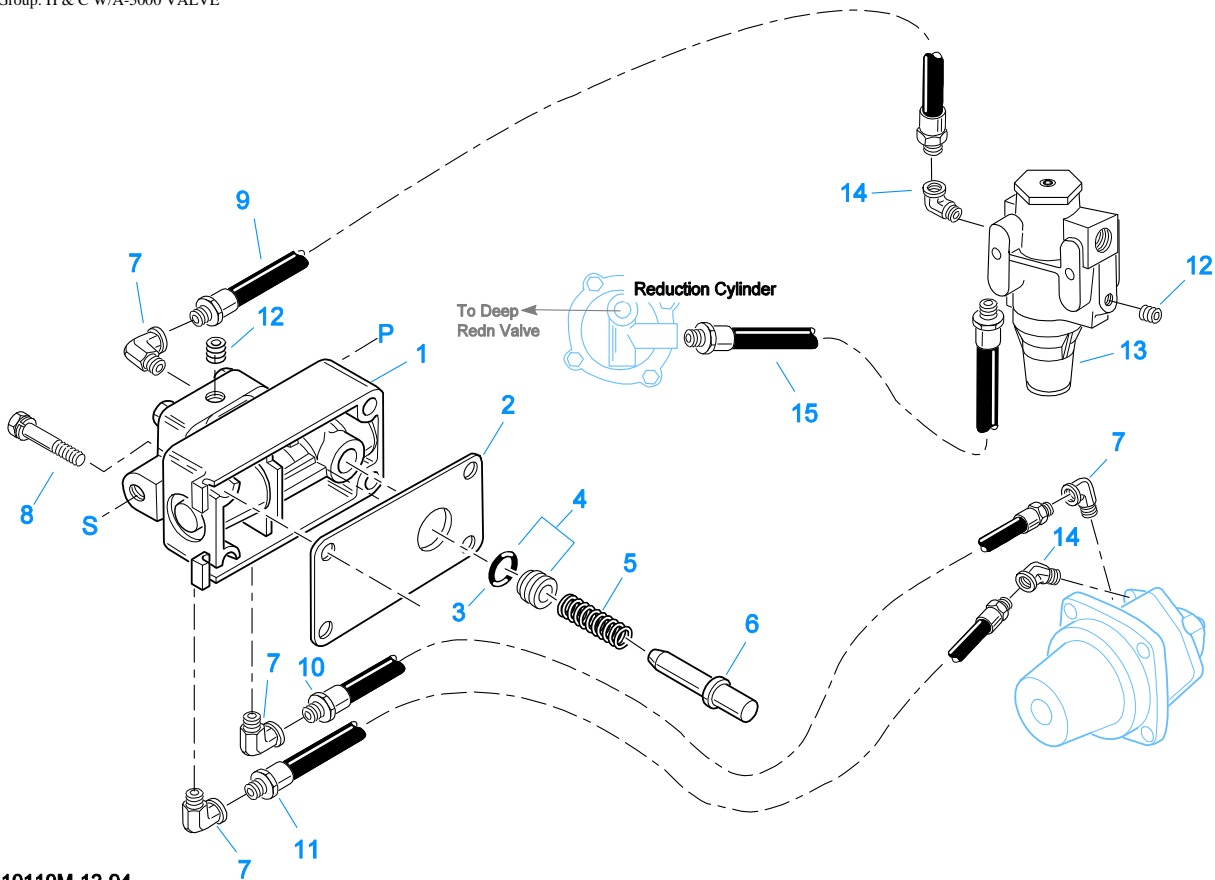
Item	Current Part	Description	Replaced Part	Qty.	Notes	Kits/Assys Where Needed
1	A-4740	FILTER/REGULATOR	19600	1		
2	K-1698	-O- RING/ELEMENT KIT		1	FOR FILTER REGULATOR	
3	X-8C-412	CAPSCREW	X 8S 412	2	1/4"-20X2-1/4"	



10111M-12-94

H & C W/19470 VALVE

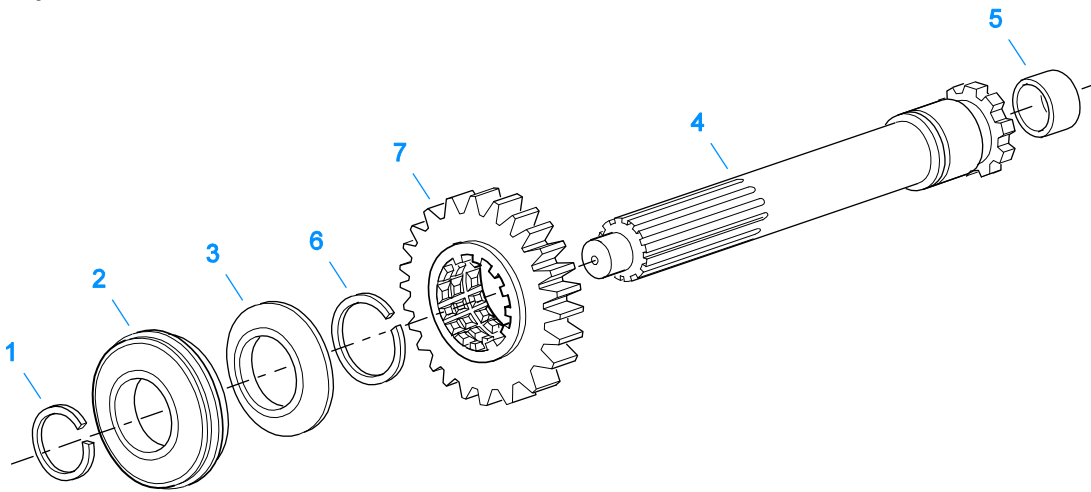
Item	Current Part	Description	Replaced Part	Qty.	Notes	Kits/Assys Where Needed
1	K-2424	VALVE REPLACEMENT KIT	19470	1		
2	19481	GASKET		1		K-2110,K-2424
3	14142	-O- RING		1		K-2079,S-2136
4	K-2079	SLEEVE KIT	19570	1		
5	21268	SPRING	19572	1		K-2109
6	20649	PIN		1		K-2109
7	12845	ELBOW		4	1/8"	
8	X-8C-401	CAPSCREW		4	1/4"-20X1-1/8"	
9	55507	HOSE ASSY		1	20"	
10	55506	HOSE ASSY		1	18"	
11	55507	HOSE ASSY		1	20"	
12	X-12-208	PIPE PLUG		2	1/8" NPT	
13	A-4740	FILTER/REGULATOR	19600	1		
14	12880	ELBOW		2	1/8"	
15	55527	HOSE ASSY		1	15"	



10110M-12-94

H & C W/A-5000 VALVE

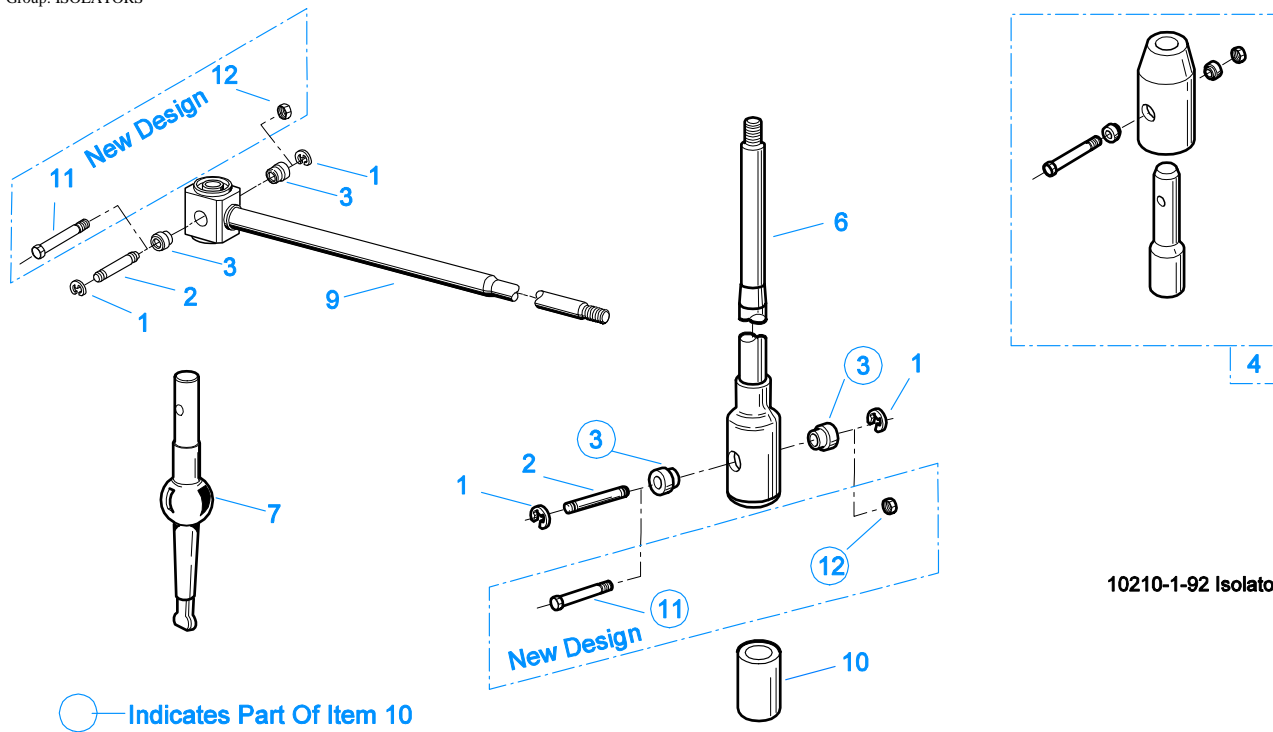
Item	Current Part	Description	Replaced Part	Qty.	Notes	Kits/Assys Where Needed
1	A-5000	SLAVE VALVE ASSY	20850	1		K-2424
2	19481	GASKET		1		K-2110,K-2424
3	14142	-O- RING		1		K-2079,S-2136
4	K-2079	SLEEVE KIT	19570	1		
5	21268	SPRING	19572	1		K-2109
6	20649	PIN		1		K-2109
7	12845	ELBOW		4	1/8"	
8	X-8C-411	CAPSCREW		4	1/4"-20X1-3/4"	
9	55507	HOSE ASSY		1	20"	
10	55506	HOSE ASSY		1	18"	
11	55507	HOSE ASSY		1	20"	
12	X-12-208	PIPE PLUG		2	1/8" NPT	
13	A-4740	FILTER/REGULATOR	19600	1		
14	12880	ELBOW		2	1/8"	
15	55527	HOSE ASSY		1	15"	



10373-8-94

INPUT SHAFT & DRIVE GEAR

Item	Current Part	Description	Replaced Part	Qty.	Notes	Kits/Assys Where Needed
1	16723	SNAP RING		1		K-1995,K-2047,K-2109
2	4301855	BEARING	81568	1		K-1995,K-2047
3	20778	SPACER		1		
4	A-5021	INPUT SHAFT ASSY	20787	1	2" PULL - USE W/FBC 20785	
4	A-5022	INPUT SHAFT ASSY	20788	1	1-3/4" PULL - USE W/FBC 20777	K-1995
4	A-5083	INPUT SHAFT ASSY	21001	1	1-3/4" PULL W/.9835 PILOT-USE W/FBC 20777	
5	15977	BUSHING		1		A-5021,A-5022,A-5083,K-2047
6	15973	SNAP RING		1		K-1995,K-2047,K-2109
7	21671	MAIN DRIVE GEAR		1		



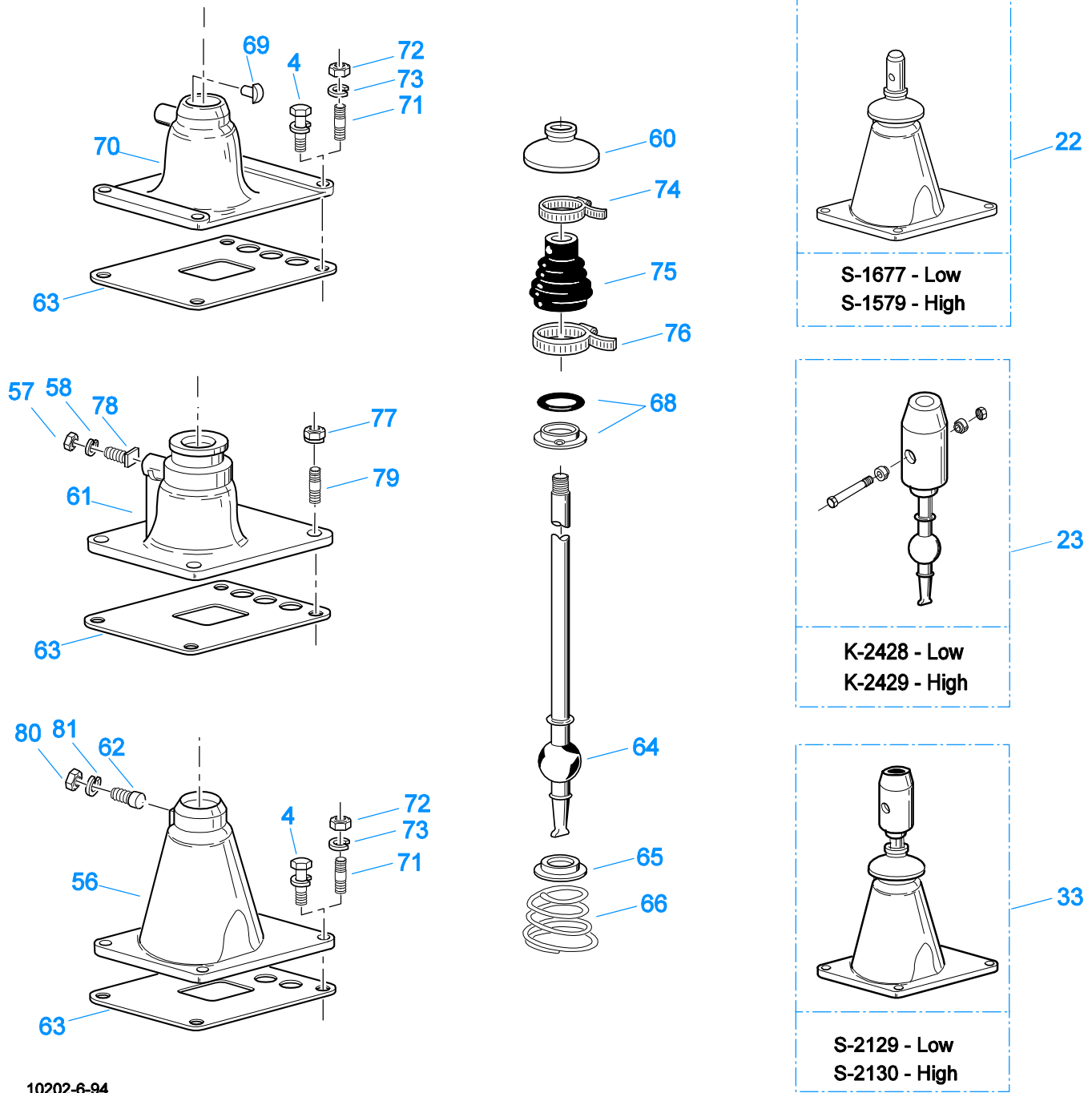
10210-1-92 Isolator

ISOLATORS

Item	Current Part	Description	Replaced Part	Qty.	Notes	Kits/Assys Where Needed
1	19124	-E- RING		2		
2	K-3467	PIN REPLACEMENT KIT	21245	1		
3	21246	BUSHING		2		K-2003,K-2428,K-2429,K-3399,S-2129,S-2130
4	S-1794	ISOLATOR ASSY		1		
6	21247	LEVER		1	STRAIGHT 18.67"	
7	21235	STUB LEVER		1	LOW TOWER	K-2428,S-1677
7	21236	STUB LEVER		1	HIGH TOWER	K-2429,S-1579,S-2130
9	21767	90 DEG LEVER		1	STRAIGHT 33"	
10	K-3399	ISOLATOR BUSHING KIT	21244 ,23311	1		
11	X-8-560	SCREW		1		
12	X-9-503	NUT		1		

KITS & ASSEMBLIES

Item	Current Part	Description	Replaced Part	Qty.	Notes	Kits/Assys Where Needed
K-1037		RESERVOIR REPL KIT	17503	1		
K-1432		CYL KIT-RANGE		1		
K-1450		-O- RING KIT-RANGE		1		
K-1457		-O- RING KIT		1	FOR INSERT VALVE	
K-1476		SHIFT LEVER HSG	4530 ,17163 ,18298 ,4304905 ,A - 4437	1	LOW TOWER	
K-1546		REPL KIT-MAINSHAFT	15948 ,18134	1		
K-1631		SHIFT LEVER HSG	14456 ,17168 ,4304327	1	LOW	
K-1644		QUILL REPLACEMENT KIT	16833 ,16834	1		
K-1698		-O- RING/ELEMENT KIT		1	FOR A-4740 FILTER REGULATOR	
K-1700		OIL COOLER KIT		1		
K-1704		PUMP INSTALLATION KIT		1		
K-1922		MASTER VALVE REPAIR KIT		1	FOR A-5015 VALVE	
K-1935		REPAIR KIT-SLAVE VALVE		1	FOR A-5000 VALVE	
K-1995		BASIC OVERHAUL KIT		1		
K-2002		-O- RING KIT		1	FOR RANGE & REDUCTION CYLINDERS	K-1995,K-2047
K-2003		PIN & BUSHING KIT		1		
K-2047		BASIC REBUILD KIT		1		
K-2078		-O- RING KIT - SPLITTER		1	FOR REDUCTION CYLINDER	
K-2079		SLEEVE KIT	19570	1	FOR SLAVE VALVE	
K-2107		CYLINDER KIT - REDN		1		
K-2109		SMALL PARTS KIT		1		
K-2110		GASKET KIT	K - 1781	1		K-1995,K-2047
K-2256		OIL SEAL KIT	14337 ,19109 ,21036	1		
K-2262		OIL SEAL W/SLINGER	19109 ,20807 ,20808	1	"FOR MECHANICAL COVER"	
K-2394		AIR SYSTEMS TOOL KIT		1		
K-2424		VALVE REPLACEMENT KIT	19470	1		
K-2425		LOCK SCREW KIT	23066	1		K-1995,K-2047,K-2109
K-2428		LEVER REPLACEMENT KIT		1	LOW TOWER	
K-2429		LEVER REPLACEMENT KIT		1	HIGH TOWER	
K-2973		SHIFT LEVER HSG KIT	17166 ,17167 ,4303050 ,4304910 ,K - 1630 K - 1941	1	HIGH TOWER	
K-3192		MASTER VALVE REPAIR KIT		1	FOR A-6915 VALVE	
K-3194		MASTER VALVE REPAIR KIT		1	FOR A-7315 VALVE	
K-3399		ISOLATOR BUSHING KIT	21244 ,23311	1		
K-3467		PIN REPLACEMENT KIT	21245	1		
K-3492		SYNCHRONIZER KIT	K - 2446	1		
K-3494		SYNCHRONIZER REPLACEMENT KIT	K - 2448	1	SLIDING CLUTCH INCLUDED IN KIT	
K-3651		OIL SEAL TOOL KIT		1		
S-1085		CLUTCH HOUSING ASSY	18130	1		
S-1516		CAP ASSY	20851 ,20853	1	FOR A-5000 VALVE	
S-1616		CASE ASSY	23060	1		
S-1617		CASE ASSY	22366	1	INTERMEDIATE CASE	
S-1794		ISOLATOR ASSY		1		
S-1807		SHIFT BAR HSG	23062 ,4300408 ,S - 1615	1	HOUSING ONLY	
S-2129		SHIFT LEVER HSG ASSY		1	LOW TOWER	
S-2130		SHIFT LEVER HSG ASSY	S - 2053	1	HIGH TOWER	
S-2136		REAR BRG COVER ASSY	21950 ,22040 ,22041 ,22042 ,4302006 4302007 ,S - 1563	1	EXTENDED	
S-2404		SHIFT BAR HSG ASSY	4300408	1	COMPLETE	
S-2548		ROADRANGER VALVE ASSY	A - 5039	1	RT - W/SHIFT DIAGRAM MEDALLION	

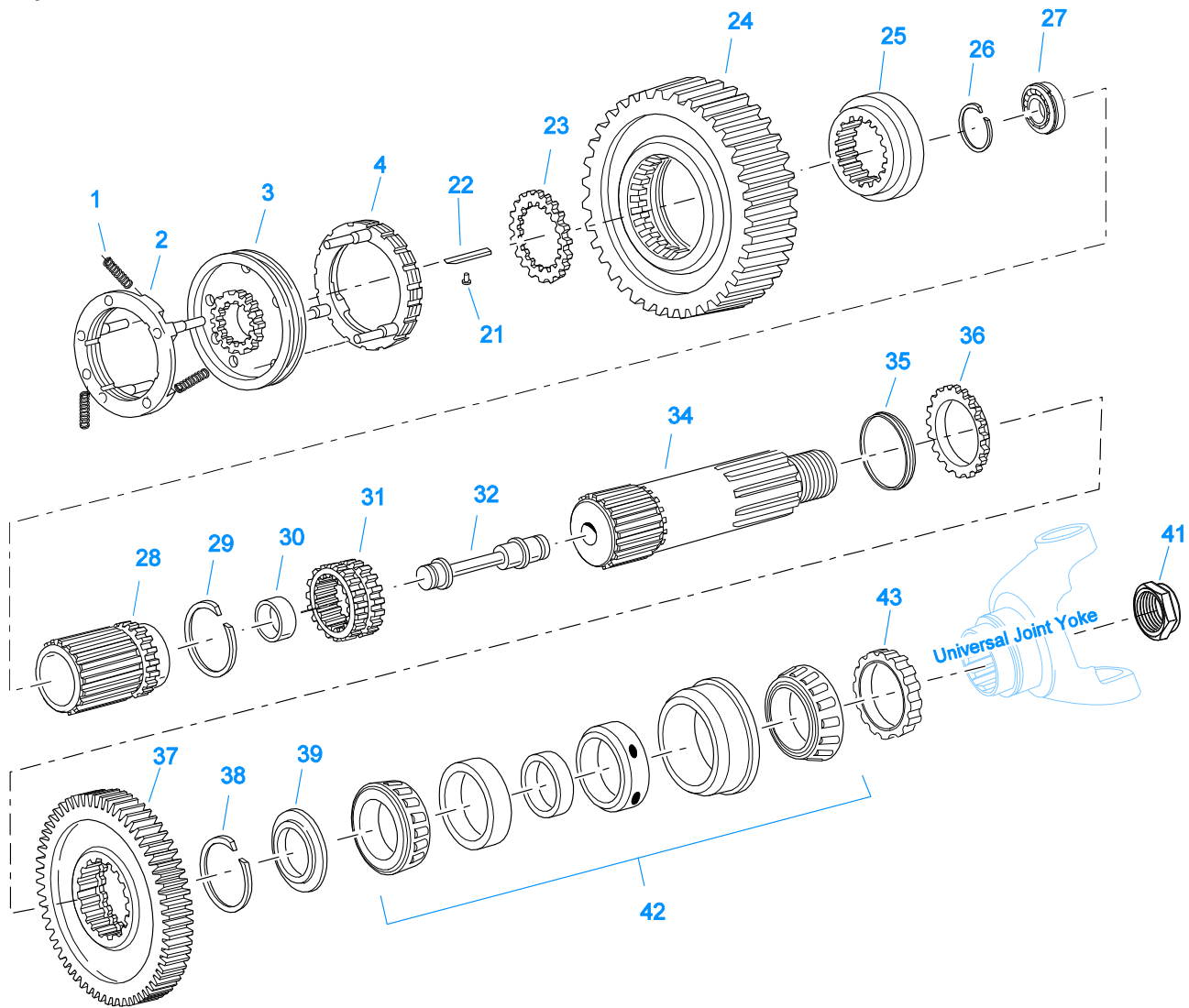


10202-6-94

LEVERS/HOUSINGS

Item	Current Part	Description	Replaced Part	Qty.	Notes	Kits/Assys Where Needed
4	X-8C-604	CAPSCREW		4	3/8"-16X1-1/4"	
22	S-1579	SHIFT TOWER ASSY		1	HIGH TOWER	
22	S-1677	SHIFT TOWER ASSY		1	LOW TOWER	
23	K-2428	LEVER REPLACEMENT KIT		1	LOW TOWER	
23	K-2429	LEVER REPLACEMENT KIT		1	HIGH TOWER	
33	S-2129	SHIFT LEVER HSG ASSY		1	LOW TOWER	
33	S-2130	SHIFT LEVER HSG ASSY	S - 2053	1	HIGH TOWER	
56	K-2973	SHIFT LEVER HSG KIT	17166 ,17167 ,4303050 ,4304910 ,K - 1630 K -	1	HIGH TOWER	

Item	Current Part	Description	Replaced Part	Qty.	Notes	Kits/Assys Where Needed
			1941			
57	X-1-500	NUT		1	5/16"-24	
58	X-3-500	LOCKWASHER		1	5/16"	
60	10427	BOOT		1		K-1476,K-2973,S-1579,S-1677,S-2130
61	K-1631	SHIFT LEVER HSG	14456 ,17168 ,4304327	1	LOW, USE W/14795 BOOT	
62	6541	PIN		1	3/8"	
63	4305294	GASKET	4303431	1		K-1476,K-1631,K-1700,K-2110,K-2428,K-2429,K-2973,S-1579,S-1677,S-2129,S-2130
64	17600	GEAR SHIFT LEVER		1	STRAIGHT - LOW 21-1/2"	
64	18482	GEAR SHIFT LEVER		1	STRAIGHT - HIGH 35"	
65	2538	RETAINER		1		K-1476,K-2973,S-1579,S-1677,S-2130
66	2536	SPRING		1		K-1476,K-2973,S-1579,S-1677,S-2130
68	K-3376	O-RING & WASHER KIT	4301211	1		
69	18299	PIN		1		K-1476,S-1677
70	K-1476	SHIFT LEVER HSG	4530 ,17163 ,18298 ,4304905 ,A - 4437	1	LOW TOWER	
71	11934	STUD	7467	4		
72	X-1-600	NUT		4	3/8"-24-N.F.PLAIN	
73	X-3-600	LOCKWASHER		4	3/8"	
74	14453	CLAMP		1		
75	14795	BOOT		1		
76	14454	CLAMP		1		
77	X-1-604	NUT		4	3/8"-24	
78	14461	PIN		1		
79	14236	NO LONGER AVAILABLE		4		
80	X-1-600	NUT		1	3/8"-24-N.F.PLAIN	
81	X-3-600	LOCKWASHER		1	3/8"	

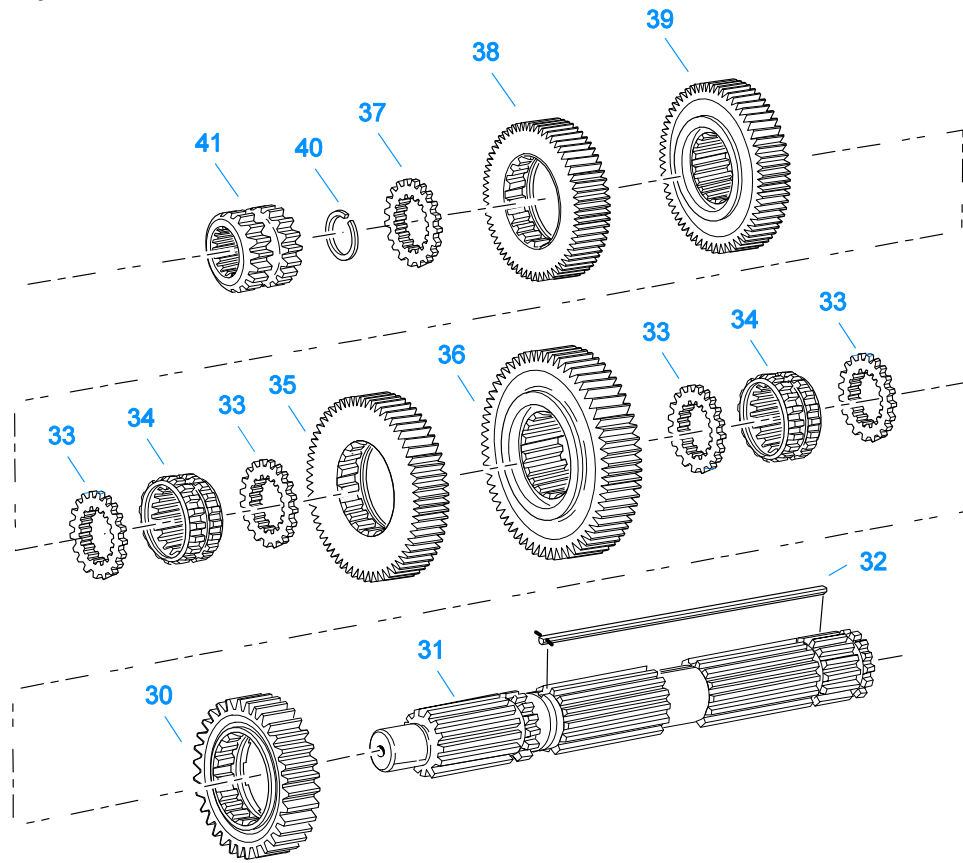


10430-7-94 Aux MS red

MAINSHAFT & SYNCHRO(AUX)

Item	Current Part	Description	Replaced Part	Qty.	Notes	Kits/Assys Where Needed
1	14897	SPRING		3		K-1995,K-2047,K-2109,K-3492,K-3494
2	A-7331	SYNCHRONIZER ASSY	4304396 4304397 A - 5917	1	HI RANGE	K-3492,K-3494
3	20323	SLIDING CLUTCH		1		K-3494
4	A-7254	SYNCHRONIZER ASSEMBLY	A - 4937 A - 5876	1	LO RANGE	K-3492,K-3494
21	14832	PIN		1		A-3697
22	A-3697	KEY & PIN ASSY	15516	1		K-2109
23	15932	WASHER .202-.204 BLACK		1		
23	17257	WASHER .206-.208 PURPLE		1		
23	17258	WASHER .210-.212 YELLOW		1		
24	22370	LO GEAR-MAINSHAFT		1		
25	18193	MAINSHAFT COUPLER	15938	1		
26	14291	SNAP RING		1		K-1995,K-2047,K-2109
27	81547-BOX	BEARING	81547	1		K-1995,K-2047
28	K-1546	REPL KIT-MAINSHAFT	15948 ,18134	1		
29	18135	SNAP RING		1		K-1546

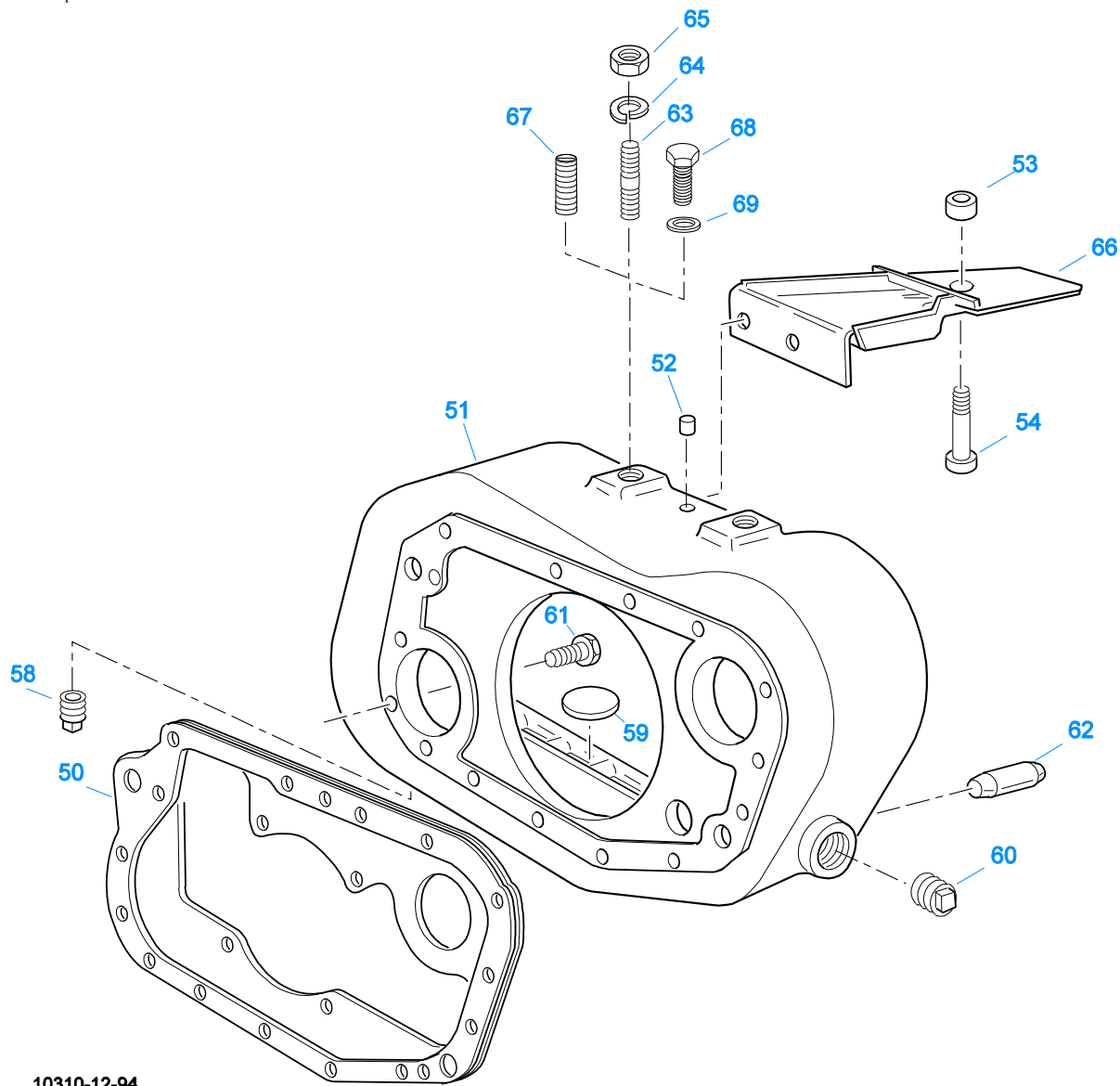
Item	Current Part	Description	Replaced Part	Qty.	Notes	Kits/Assys Where Needed
30	16516	BUSHING		1		K-1995,K-2047
31	15959	SLIDING CLUTCH		1		
32	K-1644	QUILL REPLACEMENT KIT	16833 ,16834	1		
34	A-4738	MAINSHAFT ASSY	19213	1		
35	14332	WASHER		1		K-2109
36	18250	SPACER	16308	1		K-2109
37	20022	REDUCTION GEAR	19283	1		
38	14327	SNAP RING		1		K-2109
39	16310	WASHER		1		
41	22254	NUT	11956	1		
42	14367	BEARING		1		K-1995,K-2047
43	20192	ROTOR		1		



10326-8-94

MAINSHAFT ASSY

Item	Current Part	Description	Replaced Part	Qty.	Notes	Kits/Assys Where Needed
30	20597	REVERSE GEAR- MAINSHAFT		1		
31	20614	MAINSHAFT		1		
32	A-4989	KEY & PIN ASSY		1		
33	20617	WASHER .259-.261 ORANGE		4		K-2109
33	20618	WASHER .263-.265 PURPLE		4		K-2109
33	20619	WASHER .268-.270 YELLOW		4		K-2109
33	20620	WASHER .273-.275 BLACK		4		
33	20621	WASHER .278-.280 RED		4		
34	20615	SLIDING CLUTCH		2		
35	20593	1ST GEAR-MAINSHAFT		1		
36	20794	LO GEAR-MAINSHAFT		1		
37	21664	WASHER .259-.261 ORANGE		1		K-2109
37	21665	WASHER .263-.265 PURPLE		1		
37	21666	WASHER .268-.270 YELLOW		1		
37	21667	WASHER .273-.275 BLACK		1		
37	21668	WASHER .278-.280 RED		1		
38	21672	3RD GEAR-MAINSHAFT		1		
39	20833	2ND GEAR-MAINSHAFT		1		
40	15980	SNAP RING		1		K-1995,K-2047,K-2109
41	21662	SLIDING CLUTCH		1		K-1995



10310-12-94

MISC.(INT. BOX)

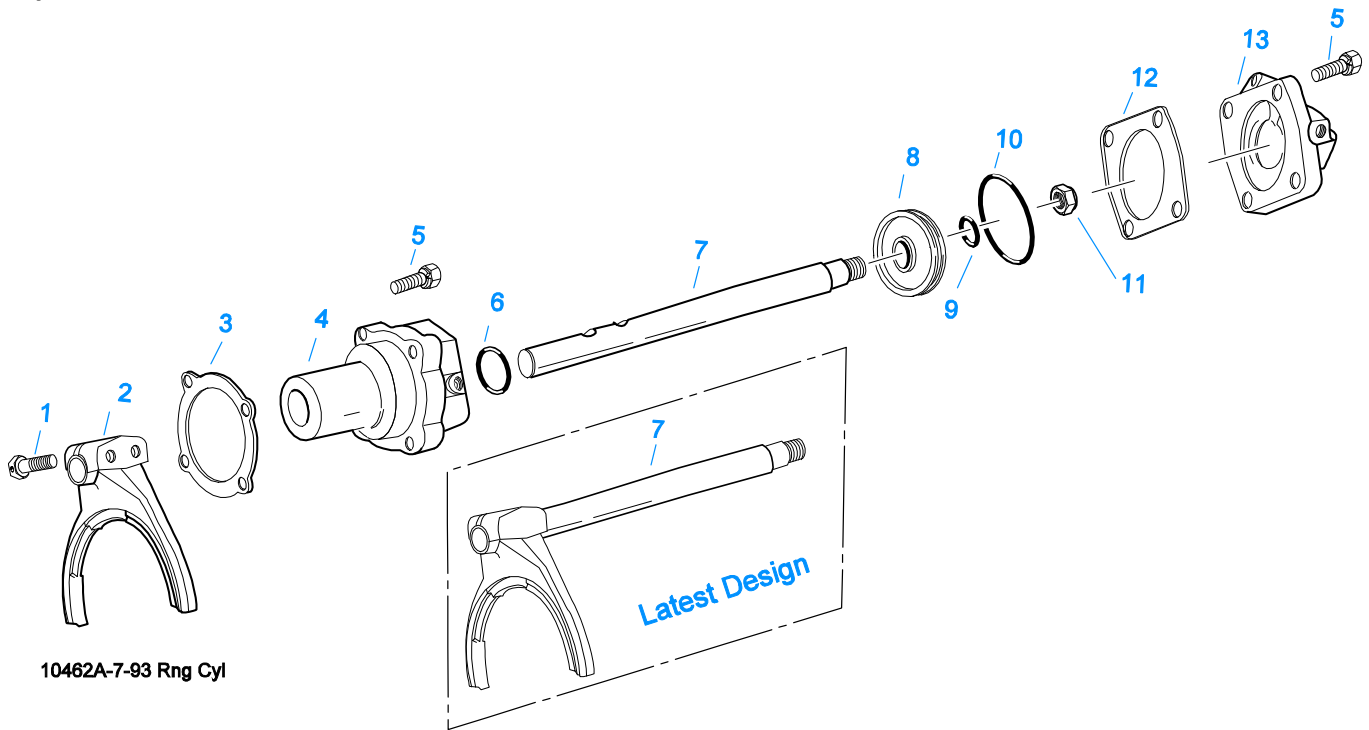
INTERMEDIATE HSG ASSY

Item	Current Part	Description	Replaced Part	Qty.	Notes	Kits/Assys Where Needed
50	4300799	GASKET	23063	1		
51	S-1617	CASE ASSY	22366	1		
52	15701	PLUG		1		
53	23101	SPACER		1		
54	X-8-410	CAPSCREW	X-8-430	1	1/4"-20X7/8"	
58	X-12-1207	PIPE PLUG	X12 1202 ,X12 1206	1	3/4" MAGNETIC	
59	14373	MAGNET		1		
60	X-12-2007	PIPE PLUG	X12 2006	1		
61	X-8-680	CAPSCREW		2	3/8"-16X1-1/2"	
61	X-8L-604	CAPSCREW		13	3/8"-16X1-1/4"	
62	18128	PIN		2		
63	14554	STUD	1632 ,6579	2	5/8" X 2-3/16"	
64	X-10-1005	WASHER	X 3 1000 ,X10 1000 ,X10 1004	2	1.23 X 6.60	
65	X-1-1012	HEX NUT	X-1-1005	2	.625-18	
66	23019	OIL TROUGH		1		
67	23104	PLUG	1712	2		

Item	Current Part	Description	Replaced Part	Qty.	Notes	Kits/Assys Where Needed
68	X-8-1005	CAPSCREW		2	5/8"-11X1-1/4"	
69	20814	SPACER		2		

MISCELLANEOUS

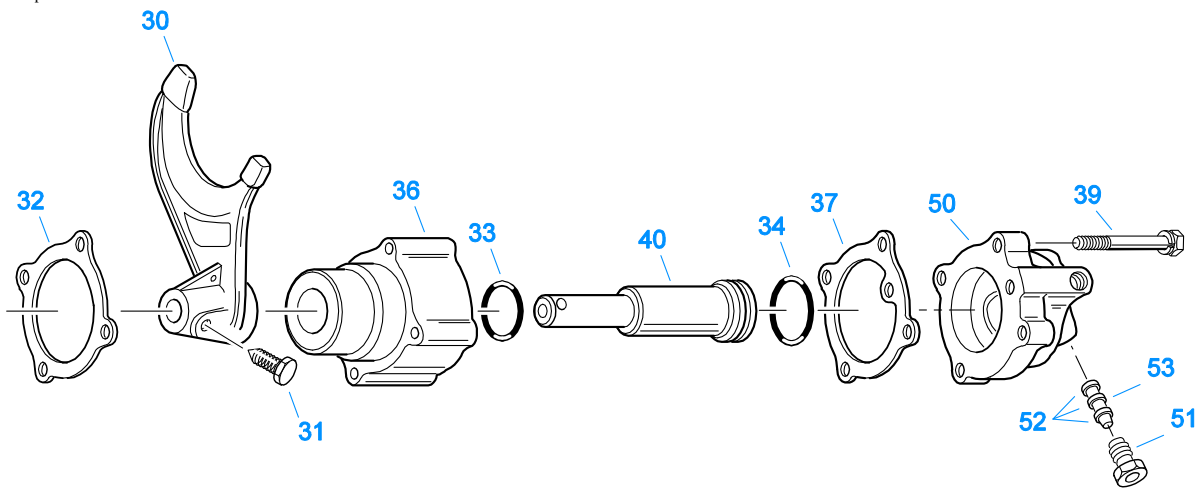
Item	Current Part	Description	Replaced Part	Qty.	Notes	Kits/Assys Where Needed
18683		WARNING LABEL		1		
19064		WARNING LABEL		1		
20466		SHIFT DIAGRAM LABEL		1		
71203		SILICONE LUBE		1	8 OZ (236.59 CC)-FLEET SIZE	
71204		ADHESIVE SEALANT		1	0.5 CC (SINGLE APPLICATION SIZE)	K-1037
71205		SEALANT		1	2 CC (SINGLE APPLICATION SIZE)	K-1700,K-1995
71206		SILICONE LUBE		1	4 CC (SINGLE APPLICATION SIZE)	K-1432,K-1450,K-2002,K-2078,K-2428,K-2429,K-3331



RANGE CYLINDER

Item	Current Part	Description	Replaced Part	Qty.	Notes	Kits/Assys Where Needed
1	X-7-809	BOLT	X 7 810 ,X 7 811	2	1/2"-20X1-3/4"	
2	22823	SHIFT YOKE	16775	1		
3	14347	GASKET		1		K-1432,K-2110
4	16777	AUXILIARY CYLINDER		1		K-1432
5	X-8L-604	CAPSCREW		8	3/8"-16X1-1/4"	
6	14765	-O- RING		1		K-1432,K-1450,K-2002
7	16776	YOKE BAR		1		
7	A-6159	WELDED YOKE ASSY	4301651	1		
8	14341	PISTON	23353	1		K-1432
9	14345	-O- RING		1		K-1432,K-1450,K-2002
10	14344	-O- RING		1		K-1432,K-1450,K-2002
11	X-1-1010	NUT		1	5/8"-18	
12	14349	GASKET		1		K-1432,K-1450,K-2002,K-2110
13	19690	CYLINDER COVER		1		

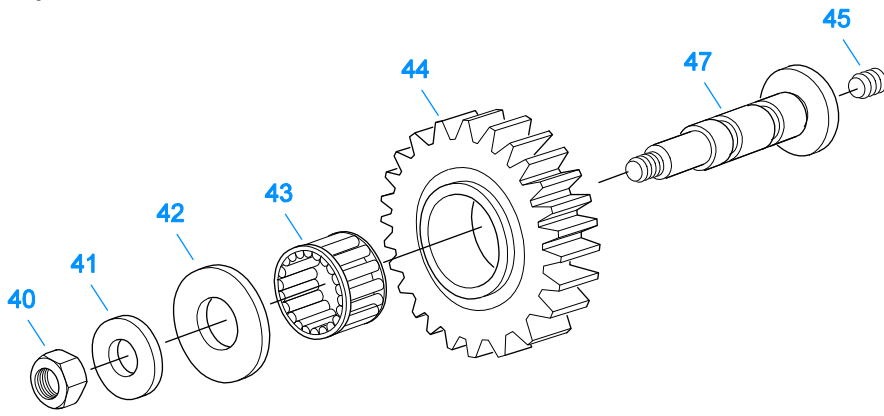
Group: REDUCTION CYLINDER



10471-12-94

REDUCTION CYLINDER

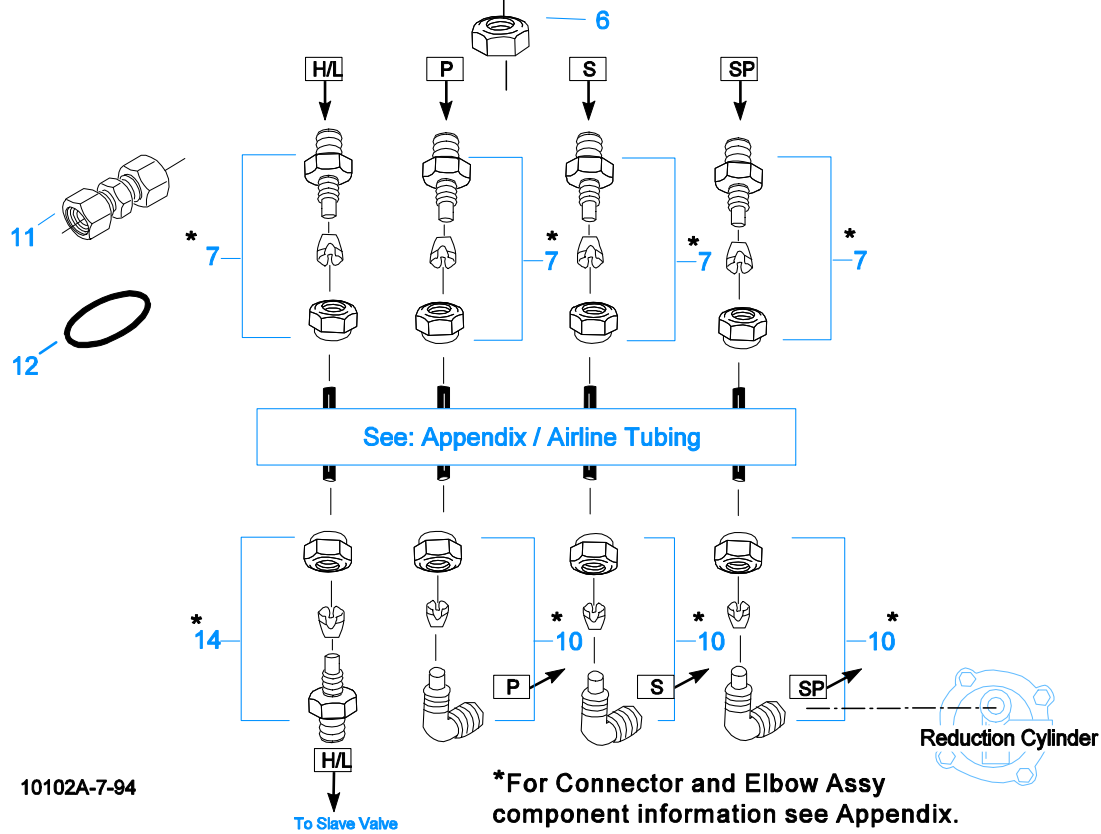
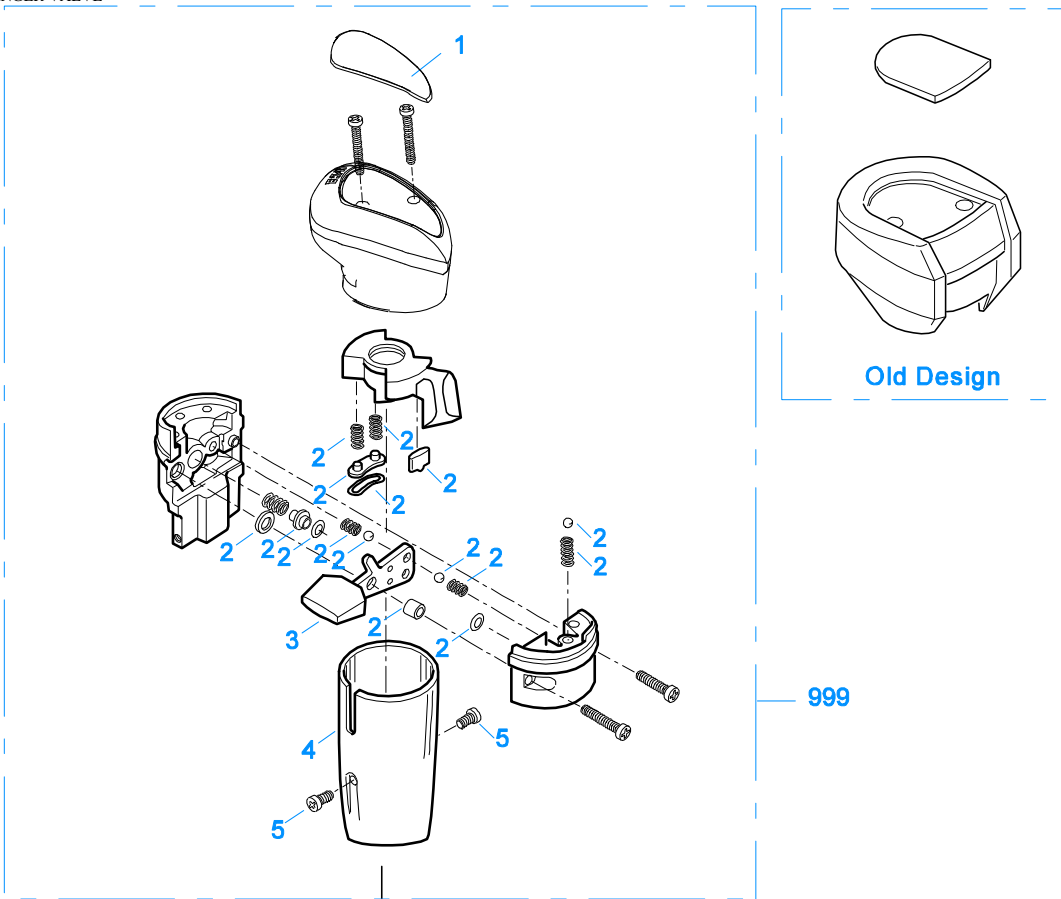
Item	Current Part	Description	Replaced Part	Qty.	Notes	Kits/Assys Where Needed
30	16517	SHIFT YOKE		1		
31	3220	LOCKSCREW		1		S-2404
32	14632	GASKET		1		K-2078,K-2107,K-2110
33	21208	-O- RING		1		K-2002,K-2078,K-2107
34	21209	-O- RING		1		K-2002,K-2078,K-2107
36	21210	AUXILIARY CYLINDER		1		K-2107
37	17073	GASKET		1		K-2002,K-2078,K-2110
39	X-8L-540	CAPSCREW		4	5/16"-18X1-7/8"	
40	21233	YOKE BAR & PISTON		1		K-2107
50	K-3331	SPLITTER VLV REPL KIT	4300927 4304031 ,4304032 ,A - 6862	1		K-2107
51	15719	PLUG		1		
52	13653	-O- RING		3		K-1457,K-3331
53	19974	INSERT VALVE	15512 4303616	1		K-1995,K-2047



10383-8-94

REVERSE IDLER

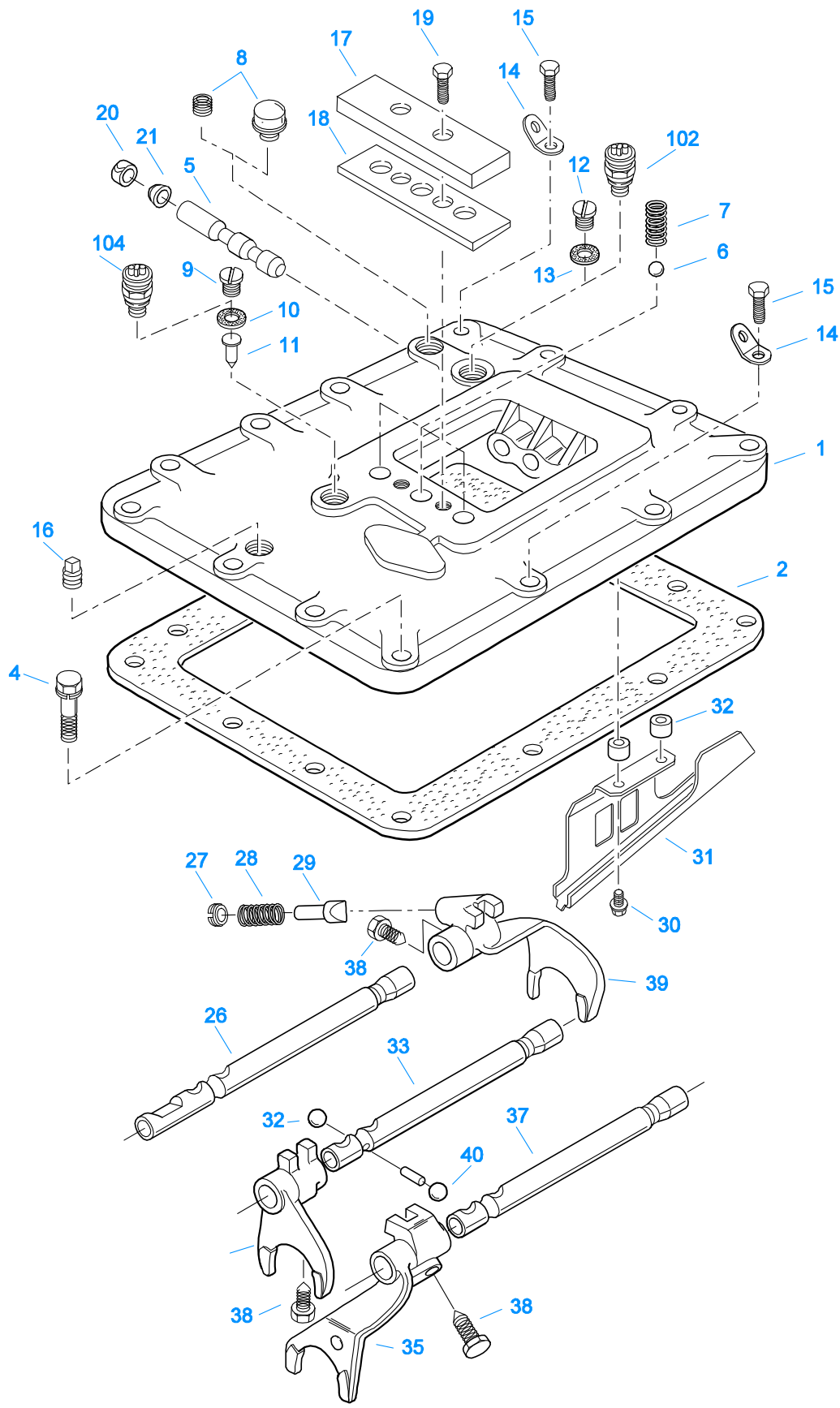
Item	Current Part	Description	Replaced Part	Qty.	Notes	Kits/Assys Where Needed
40	X-1-1008	NUT		2	5/8"-18	
41	20613	WASHER		2		
42	20612	WASHER		2		
43	15045	BEARING		2		K-1995,K-2047
44	20608	IDLER GEAR		2		
45	5202	PLUG		2		
47	23316	IDLER SHAFT	20610	2		



10102A-7-94

ROADRANGER VALVE

Item	Current Part	Description	Replaced Part	Qty.	Notes	Kits/Assys Where Needed
1	20107	MEDALLION, LOGO		1	(OLD DESIGN) FULLER LOGO ONLY	
1	21691	LOGO MEDALLION	4302349, 4300370	1	(OLD DESGIN) FULLER LOGO (LEFT OF DRIVER)	
1	5586100	MEDALLION, LOGO		1	(LATEST DESIGN) FULLER LOGO ONLY	A-6915,A-7315
1	5586115	SHIFT DIAGRAM MEDALLION		1	RT	S-2548
2	K-1922	MASTER VALVE REPAIR KIT		1	FOR A-5015 VALVE	
2	K-2055	MASTER VALVE REPAIR KIT		1	FOR A-5315 VALVE	
2	K-3192	MASTER VALVE REPAIR KIT		1	FOR A-6915 VALVE	
2	K-3194	MASTER VALVE REPAIR KIT		1	FOR A-7315 VALVE	
3	20496	LEVER		1		A-6915,A-7315
4	20112	COVER		1		A-6915,A-7315
5	X-8-213	SCREW	x-8-202	2		
6	X-9-802	NUT		1		
7	84001	CONNECTOR ASSY	82501	4	1/8" TUBE-1/16" NPTF	
7	84003	CONNECTOR ASSY	82503	4	5/32" TUBE-1/16" NPTF	
7	84005	CONNECTOR ASSY		4	"PUSH-TO-CONNECT" 5/32" TUBE-1/16" NPTF	
10	85001	ELBOW ASSY	84501	3	5/32" TUBE-1/8" NPTF	
10	85002	ELBOW ASSY	84502	3	1/8" TUBE-1/8" NPTF	
10	85003	ELBOW ASSY		3	"PUSH-TO-CONNECT" 5/32" TUBE-1/8" NPTF	K-3331
11	84101	UNION ASSY		1	1/8" TUBING	
11	84102	UNION ASSY		1	5/32" TUBING	
11	84103	UNION ASSY		1	"PUSH-TO-CONNECT" 5/32" TUBING	
12	13571	-O- RING CLAMP		2		
14	84002	CONNECTOR ASSY	82502	1	1/8" TUBE-1/8" NPTF	
14	84004	CONNECTOR ASSY	82504	1	5/32" TUBE-1/8" NPTF	
14	84006	CONNECTOR ASSY		1	"PUSH-TO-CONNECT" 5/32" TUBE-1/8" NPTF	
999	A-6915	ROADRANGER VALVE ASSY	A - 5015	1	STANDARD-W/LOGO	
999	A-7315	ROADRANGER VALVE ASSY	A - 5315	1	(LEFT OF DRIVER)-W/LOGO	
999	S-2548	ROADRANGER VALVE ASSY	A - 5039	1	RT - W/SHIFT DIAGRAM MEDALLION	

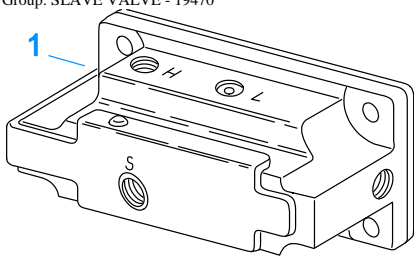


999

SHIFT BAR HOUSING (STD)

Item	Current Part	Description	Replaced Part	Qty.	Notes	Kits/Assys Where Needed
1	S-1807	SHIFT BAR HSG	23062 ,4300408 ,S - 1615	1	HOUSING ONLY	
2	15605	GASKET		1		K-1700,K-2110,S-2404
4	X-8L-604	CAPSCREW		13	3/8"-16X1-1/4"	
5	20332	AIR VALVE SHAFT	17177	1		S-2404
6	X-14-800	STEEL BALL		3	1/2"	
7	1064	SPRING		3		K-1995,K-2109,S-2404
8	4304602	BREATHER	23605	1	1/4" NPT	K-1700,S-2404
8	X-12-404	PIPE PLUG		1	1/4" NPT	
9	4303656	PLUG	15917	1		S-1807,S-2404
10	15900	GASKET		1		S-1807,S-2404
11	15899	PIN		1		S-2404
12	4303655	PLUG	17178	1		S-1807,S-2404
13	17179	GASKET		1		S-1807,S-2404
14	20815	LIFTING EYE	17105	2		
15	X-8L-602	CAPSCREW		2	3/8"-16X1-1/2" USE W/20815 LIFTING EYES	
16	X-12-603	PIPE PLUG	X12 602	1	3/8" NPT	
17	15132	SPRING COVER		1		S-2404
18	15133	GASKET		1		K-2110,S-2404
19	X-8L-600	CAPSCREW		2	3/8"-16X1"	
20	18217	NO LONGER AVAILABLE		1	USE W/17177 SHAFT ONLY NOT REQUIRED W/NEW 20332 SHAFT	
21	18218	NO LONGER AVAILABLE		1	USE W/17177 SHAFT ONLY NOT REQUIRED W/NEW 20332 SHAFT	
26	15910	YOKE BAR		1	REVERSE/LO	S-2404
27	8968	PLUG		1		S-2404
28	6392	SPRING		1		K-2109,S-2404
29	10019	PLUNGER		1		S-2404
30	X-8-429	CAP SCREW		2	1/4"-20X3/4"	
31	23020	OIL TROUGH		1		S-2404
32	23101	SPACER		2		S-2404
33	15100	YOKE BAR		1	1ST/2ND	S-2404
34	20624	SHIFT YOKE		1	1ST/2ND	S-2404
35	20622	SHIFT YOKE		1	3RD/4TH	S-2404
36	1634	INTERLOCK PIN		1		K-2109,S-2404
37	15101	YOKE BAR		1	3RD/4TH	S-2404
38	3220	LOCKSCREW		3		S-2404
39	20626	SHIFT YOKE		1	REVERSE/LO	S-2404
40	X-14-1200	STEEL BALL		2	3/4"	
102	22941	NEUTRAL LIGHT SWITCH	12639	1	SWITCH NORMALLY CLOSED	
104	22940	REVERSE LIGHT SWITCH	16830	1	SWITCH NORMALLY OPEN	
999	S-2404	SHIFT BAR HSG ASSY	4300408	1	COMPLETE	

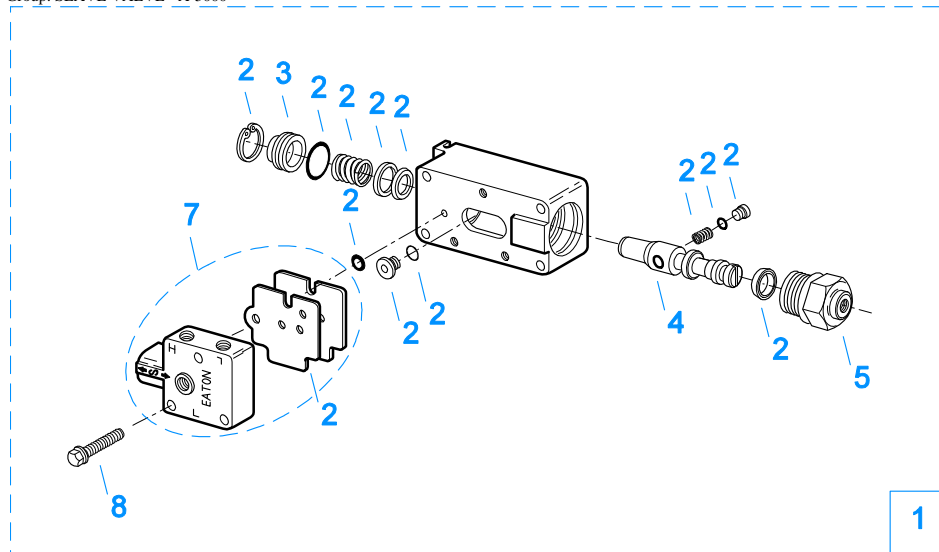
Group: SLAVE VALVE - 19470



10121-1/92 19470 SV

SLAVE VALVE - 19470

Item	Current Part	Description	Replaced Part	Qty.	Notes	Kits/Assys Where Needed
1	K-2424	VALVE REPLACEMENT KIT	19470	1		



2 Repair Kit

10120-10-97 A-5000 SV

SLAVE VALVE - A-5000

Item	Current Part	Description	Replaced Part	Qty.	Notes	Kits/Assys Where Needed
1	A-5000	SLAVE VALVE ASSY	20850	1		K-2424
2	K-1935	REPAIR KIT-SLAVE VALVE		1	FOR A-5000 VALVE	
3	20855	PLUG		1		A-5000
4	20854	PISTON		1		A-5000
5	20849	CAP	15131	1		A-5000
7	S-1516	CAP ASSY	20851 ,20853	1		
8	X-8C-413	CAPSCREW		3	1/4"-20X1-1/2"	

