



Eaton Fuller RTF-12510 Transmission Parts Manual

This is Eaton Fuller RTF-12510 Transmission parts manual brought to you by Pro Gear and Transmission to assist you identifying the parts for your Eaton / Fuller transmission unit.


If you need any assistance identifying the correct Eaton / Fuller unit for your truck and equipment, contact your Eaton replacement parts specialists at Pro Gear and Transmission.

Pro Gear stocks every part for your Eaton transmission including: Valve Assemblies, Synchronizers, Yoke Assemblies, O-Ring Kits, Drive Gears, Gaskets, Bearing and Seal Kits, and much more.

Pro Gear and Transmission has same day shipping and thousands of products in stock and ready to ship internationally for your next project.

For parts or service contact the Eaton transmission specialists at Pro Gear & Transmission, Inc.

 CALL US

 EMAIL US

 VISIT MODEL PAGE

 VISIT ONLINE STORE



Roadranger®

More time on the road®

Illustrated Parts List

RTF-12510
July 2011

Contents

| | |
|---|----|
| How To Use The Illustrated Parts List | 3 |
| AUX. COUNTERSHAFT PUMP | 4 |
| OIL COOLER/CONNECTIONS..... | 4 |
| AUX. COUNTERSHAFT PUMP | 5 |
| OIL PUMP AND INLET LINE..... | 5 |
| AUXILIARY DRIVE GEAR..... | 6 |
| CASE (AUX) | 7 |
| CASE (FRONT)..... | 9 |
| COUNTERSHAFT & BRGS(AUX)..... | 11 |
| COUNTERSHAFT ASSY..... | 12 |
| FILTER REGULATOR..... | 13 |
| H & C W/19470 VALVE..... | 14 |
| H & C W/A-4688 VALVE..... | 15 |
| H & C W/A-5000 VALVE..... | 16 |
| INPUT SHAFT & DRIVE GEAR..... | 17 |
| ISOLATORS..... | 18 |
| KITS & ASSEMBLIES..... | 19 |
| LEVERS/HOUSINGS..... | 21 |
| MAINSHAFT & SYNCHRO(AUX)..... | 23 |
| MAINSHAFT ASSY..... | 24 |
| MISCELLANEOUS..... | 25 |
| RANGE CYLINDER..... | 26 |
| RANGE VALVE..... | 27 |
| REVERSE IDLER..... | 29 |
| ROAD SPEED GOVERNOR..... | 30 |
| ROADRANGER VALVE..... | 33 |
| SHIFT BAR HOUSING (F)..... | 34 |
| SLAVE VALVE - 19470..... | 37 |
| SLAVE VALVE - A-4688..... | 38 |
| SLAVE VALVE - A-5000..... | 39 |

How To Use The Illustrated Parts List

The information contained in this document is subject to frequent updates. Therefore, for the latest information available, please visit the interactive Electronic Parts Catalog at www.roadranger.com/epc.

Model Designation or Nomenclature

- For information regarding Model Designation and Nomenclature, visit www.roadranger.com.

Kits and Assemblies (K/A's)

- Kits and Assemblies contain groups of individual or assembled parts developed for optimal replacement or repair of a service problem.
- Kits and Assemblies are shown with applicable parts groupings in the parts listings.

Identifying Kits and Assemblies

A- Part numbers beginning with the letter 'A' are pre-assembled Production Assemblies

K- Part numbers beginning with the letter 'K' are kits that are not assembled

S- Part numbers beginning with the letter 'S' are pre-assembled Service Assemblies

- Note: Some Production Assemblies do not begin with a letter prefix (Midrange only).

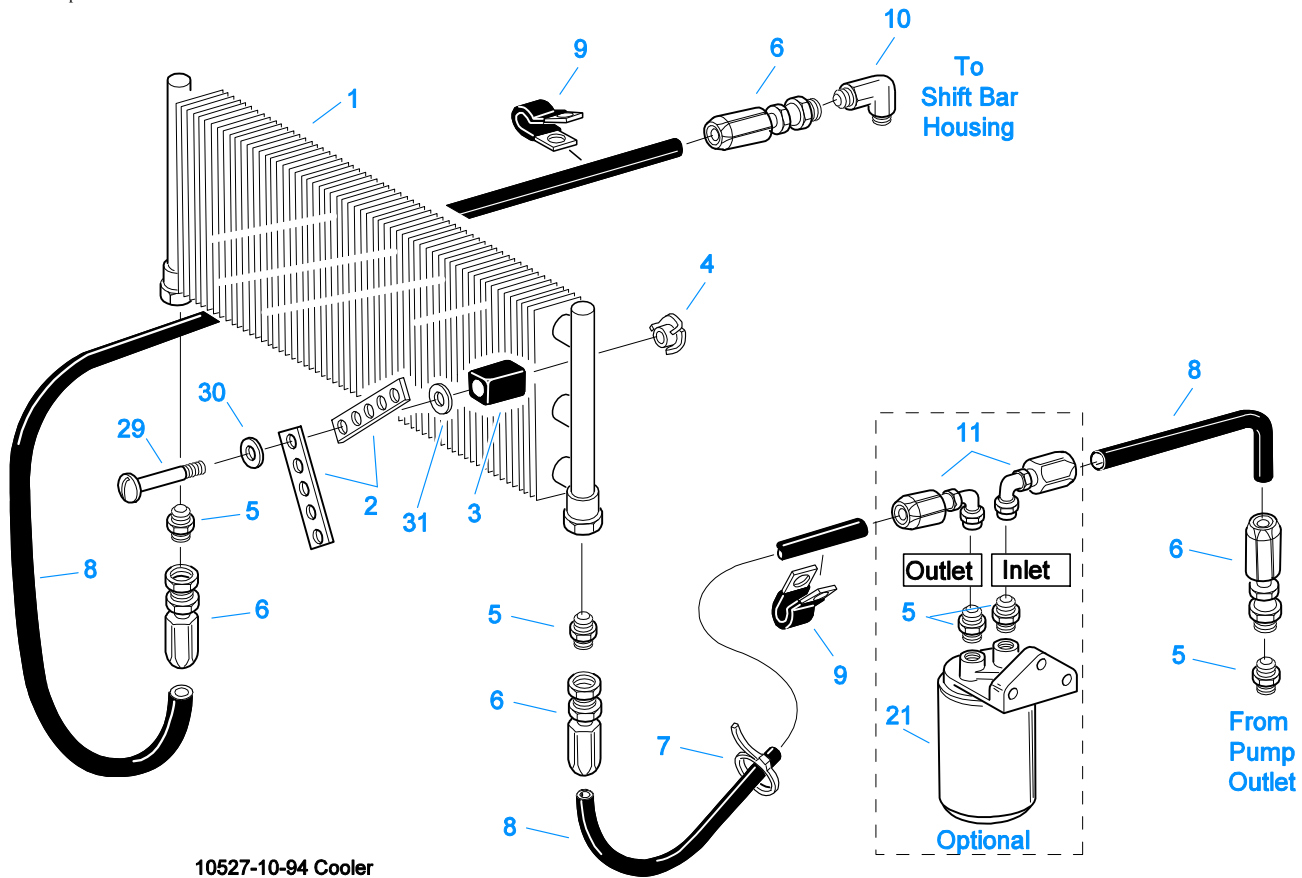
Illustrations

- Illustrations show parts in assembly groups.
- Item numbers on illustrations correspond with parts listings on pages adjacent to the illustration.
- Notes are included on illustrations where additional information is needed.

Parts Listing

Parts listings are defined by parts groupings and are broken down by service assemblies. Parts listings identify a part for servicing with the following categories

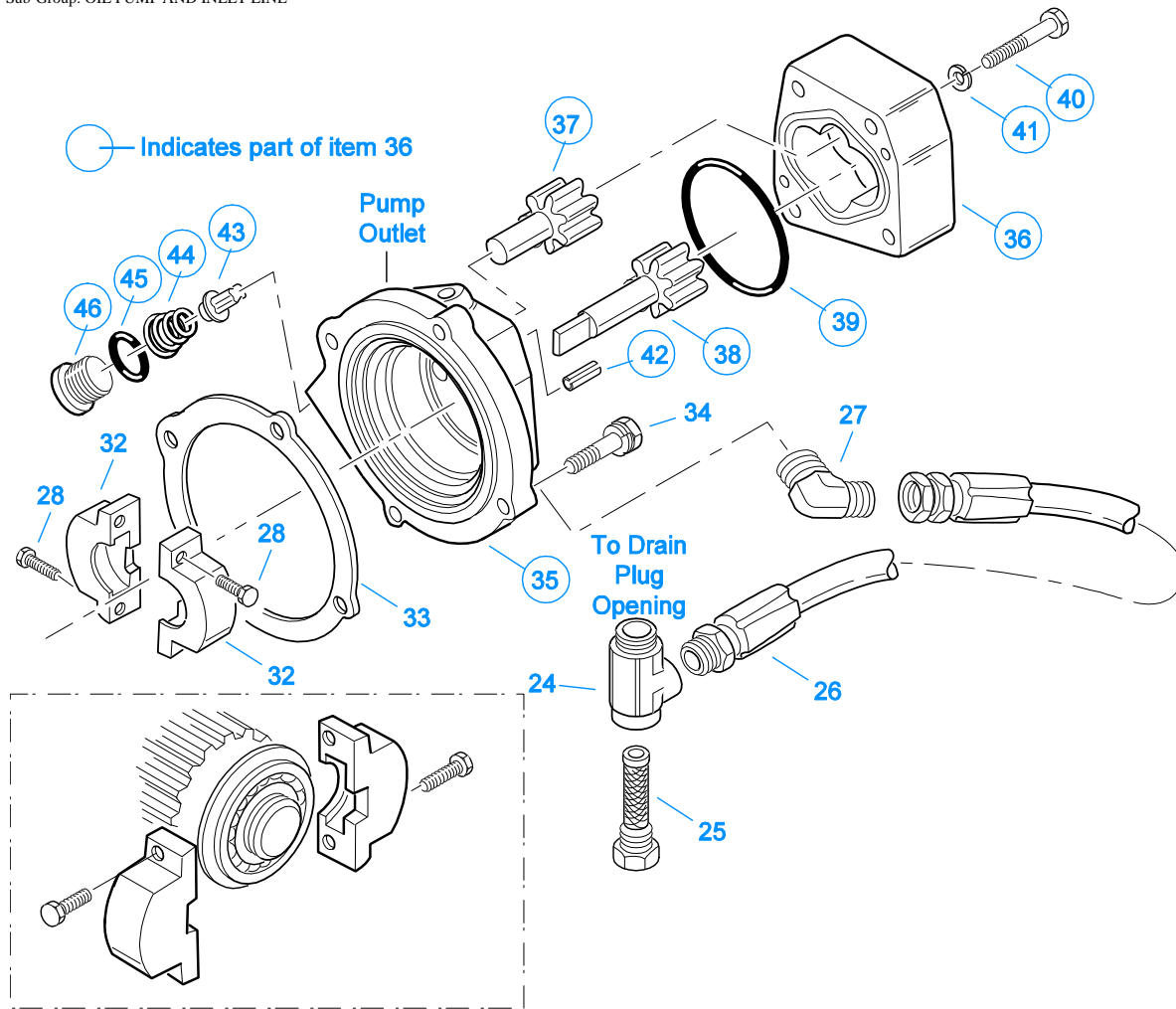
- **Item Number** - corresponding with numbers on illustrations for part identification.
- **Current Part** - identifies part as it is available for service.
- **Description** - specifies part name or description.
- **Replaced Part** - quantity quantity required for assembly.
- **Quantity** - defines unique characteristics or requirements.
- **Notes** - indicates Kits or Assemblies that contain a particular part.
- **Kits/Assy's Where Used**



AUX. COUNTERSHAFT PUMP

OIL COOLER/CONNECTIONS

| Item | Current Part | Description | Replaced Part | Qty. | Notes | Kits/Assys Where Needed |
|------|--------------|-------------------|---------------|------|-----------------|-------------------------|
| 1 | 18025 | OIL COOLER | | 1 | | |
| 2 | 18211 | BRACKET | | 4 | | |
| 3 | 18209 | PLUG-RUBBER MOUNT | | 2 | | |
| 4 | 18210 | NUT | | 2 | | |
| 5 | 19419 | CONNECTOR | | 5 | | |
| 6 | 19415 | SWIVEL | | 4 | | |
| 7 | 17190 | STRAP | | 8 | | |
| 8 | 19424 | HOSE | | 1 | 25 FEET | |
| 9 | 19423 | CLAMP | | 5 | | |
| 10 | 19420 | ELBOW | | 1 | | |
| 11 | 19422 | ELBOW | | 2 | | |
| 21 | S-1404 | OIL FILTER | 17238 | 1 | | |
| 29 | X-8-535 | CAPSCREW | | 2 | 5/16"-16X2-1/2" | |
| 30 | X-3-506 | LOCKWASHER | | 2 | 5/16" | |
| 31 | X-10-501 | WASHER | | 2 | 5/16" | |

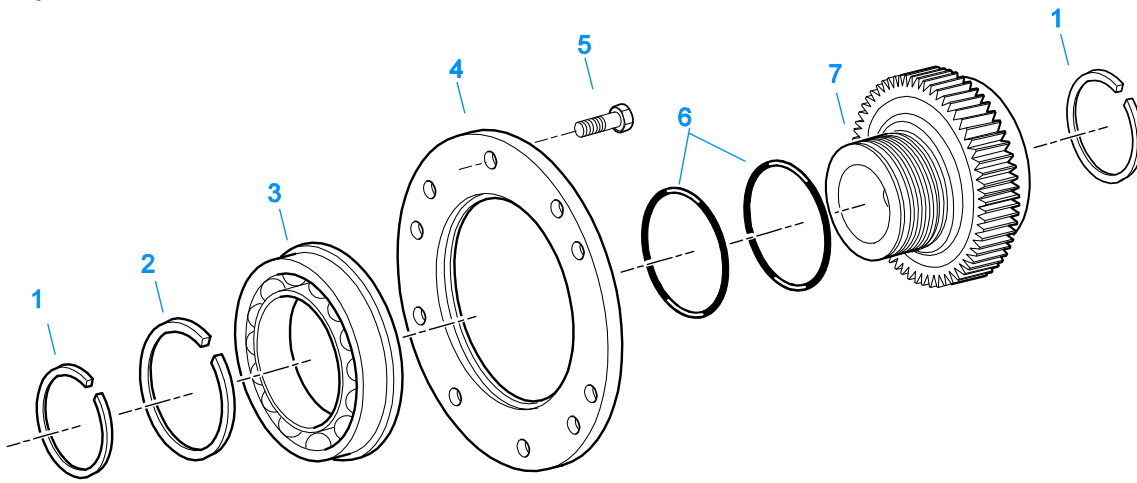


10523-10-94 Oil Pump

AUX. COUNTERSHAFT PUMP

OIL PUMP AND INLET LINE

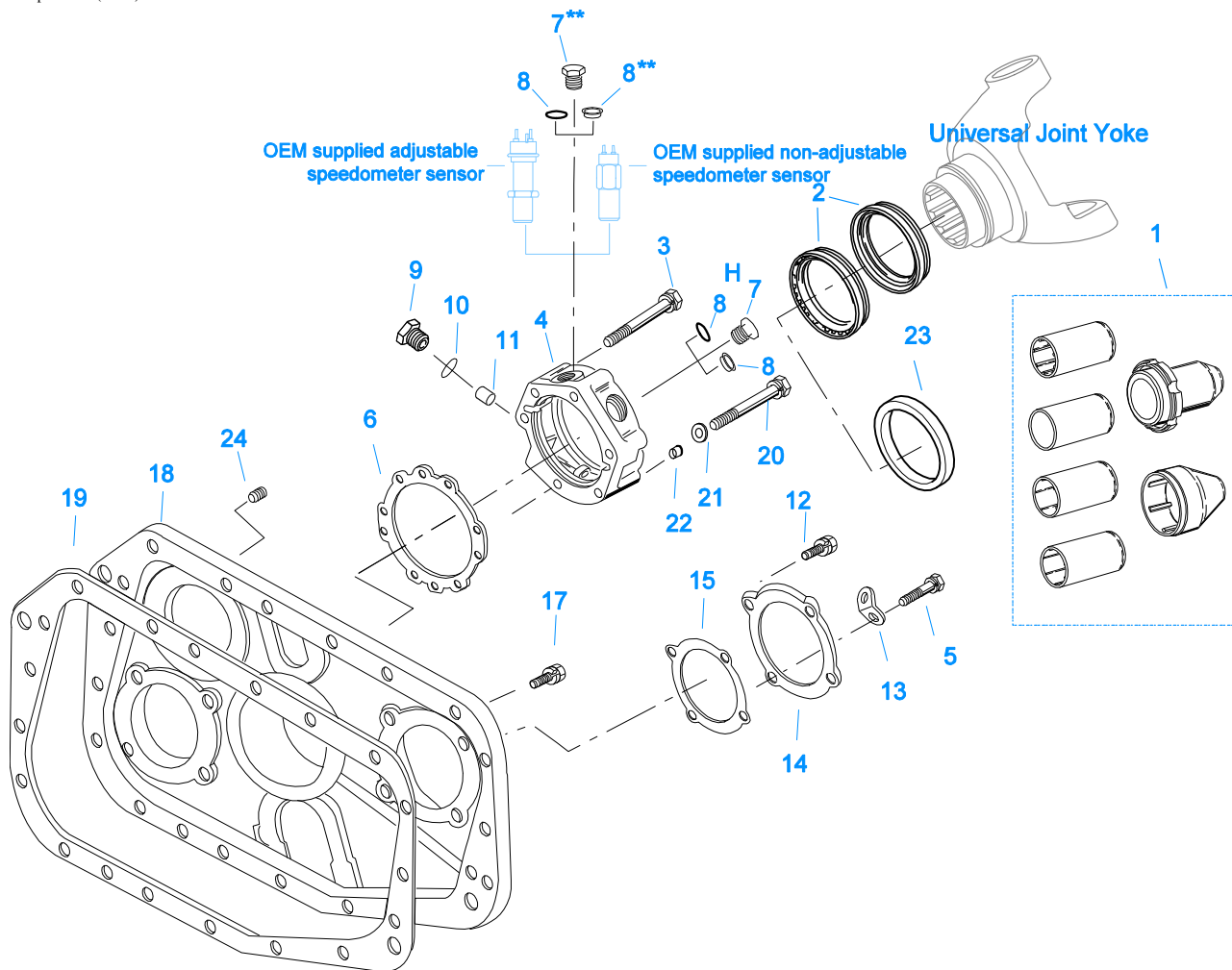
| Item | Current Part | Description | Replaced Part | Qty. | Notes | Kits/Assys Where Needed |
|------|--------------|------------------|---------------|------|----------------------------|-------------------------|
| 24 | 19412 | TEE | | 1 | | |
| 25 | 19413 | STRAINER | | 1 | | |
| 26 | 19425 | HOSE ASSY | | 1 | | |
| 27 | 19418 | ELBOW | | 1 | | |
| 28 | X-7-416 | CAPSCREW | | 2 | 1/4"-28X13/16" SOCKET HEAD | |
| 32 | K-1711 | COLLAR KIT | 19404 | 1 | | |
| 33 | 19409 | GASKET | | 1 | | |
| 34 | X-8-685 | CAPSCREW | | 1 | 3/8"-16X2-3/4" SOCKET HEAD | |
| 34 | X-8L-602 | CAPSCREW | | 3 | 3/8"-16X1-1/2" | |
| 35 | 19401 | OIL PUMP ADAPTER | | 1 | | |
| 36 | A-4680 | OIL PUMP ASSY | 19400 | 1 | | |
| 37 | A-4676 | IDLER GEAR ASSY | | 1 | | |
| 38 | A-4677 | DRIVE GEAR ASSY | | 1 | | |
| 39 | 18109 | -O- RING | | 1 | | |
| 40 | X-8-434 | CAPSCREW | | 4 | 1/4"-20X2" | |
| 41 | X-3-400 | LOCKWASHER | | 4 | 1/4" | |
| 42 | 62515 | ROLL PIN | | 2 | | |
| 43 | 12757 | VALVE | | 1 | | |
| 44 | 12755 | SPRING | | 1 | | |
| 45 | 5568536 | -O- RING | 13884 | 1 | | |
| 46 | 19411 | PLUG | | 1 | | |



10483-5/93 Aux DG

AUXILIARY DRIVE GEAR

| Item | Current Part | Description | Replaced Part | Qty. | Notes | Kits/Assys Where Needed |
|------|--------------|---------------------|-----------------|------|------------|-------------------------|
| 1 | 16763 | SNAP RING | | 2 | | K-1064,K-1507,K-1861 |
| 2 | 16628 | SNAP RING | | 1 | | K-1507 |
| 3 | 5566507- | BEARING | 5566504,5566507 | 1 | | K-1064,K-1861 |
| | BOX | | | | | |
| 4 | 16138 | BEARING RETAINER | | 1 | | |
| 5 | X-8-612 | CAPSCREW | | 6 | 3/8"-16X1" | |
| 6 | 17453 | -O- RING | | 2 | | K-1847 |
| 7 | K-1847 | REPL KIT-DRIVE GEAR | 17214 ,20350 | 1 | | |



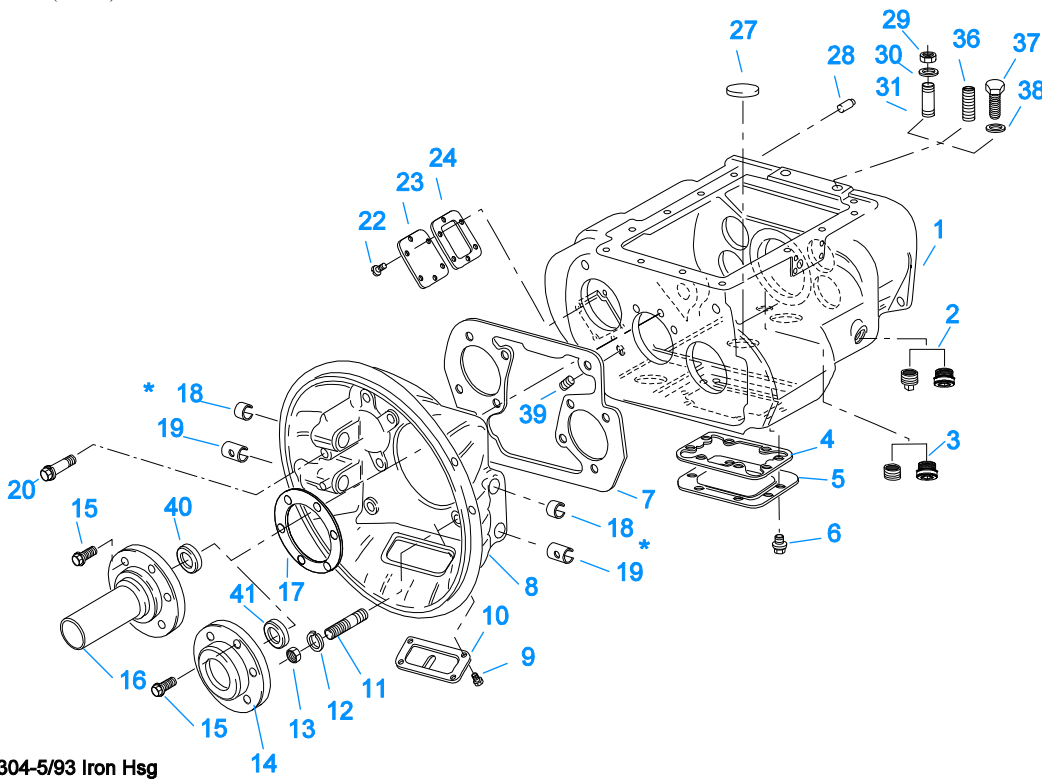
**** Note — Items 7 & 8 / Magnetic Speedometer Openings:**
 Use 13679 "O" ring w/ OEM supplied adjustable speedometer sensor
 and 20225 "O" ring w/ OEM supplied non-adjustable speedometer sensor or Eaton part #20224 Plug

10409A-6-94 Aux Case

CASE (AUX)

| Item | Current Part | Description | Replaced Part | Qty. | Notes | Kits/Assys Where Needed |
|------|--------------|---------------------|---------------------|------|---|-----------------------------|
| 1 | K-3651 | OIL SEAL TOOL KIT | | 1 | | |
| 2 | K-2262 | OIL SEAL W/SLINGER | 19109 ,20807 ,20808 | 1 | "FOR MECHANICAL COVER" | |
| 3 | X-8L-605 | CAPSCREW | | 5 | 3/8"-16X3" | |
| 4 | S-2151 | REAR BRG COVER ASSY | S - 1429 | 1 | | |
| 5 | X-8L-609 | CAPSCREW | | 2 | 3/8"-16X1-3/4" - USE W/20815 LIFTING EYES | |
| 6 | 15532 | GASKET | | 1 | | K-2199,K-2256,K-2262,S-2151 |
| 7 | 20224 | PLUG-MAGNETIC | | 2 | | S-2151 |
| 8 | 13679 | -O- RING | | 1 | USE W/OEM SUPPLIED ADJUSTABLE SPEEDOMETER SENSOR NOT TO BE USED WITH 4301954 SEAL | |
| 8 | 20225 | -O- RING | | 2 | USE W/20224 PLUG OR OEM SUPPLIED NON-ADJUSTABLE SPEEDOMETER SENSOR NOT TO BE USED WITH 4301954 SEAL | |
| 8 | 4301954 | SENSOR SEAL | | 2 | O-RING NOT REQUIRED | S-2151 |
| 9 | 20226 | PLUG-MECHANICAL | 2237 | 1 | | S-2151 |

| Item | Current Part | Description | Replaced Part | Qty. | Notes | Kits/Assys Where Needed |
|------|--------------|--------------------|--------------------------------------|------|------------------------|-----------------------------|
| 10 | 14142 | -O- RING | | 1 | | S-2151 |
| 11 | 7992 | BUSHING | | 1 | | S-2151 |
| 12 | X-8L-602 | CAPSCREW | | 8 | 3/8"-16X1-1/2" | |
| 13 | 20815 | LIFTING EYE | 17105 | 2 | | |
| 14 | 16770 | REAR BEARING COVER | | 2 | | |
| 15 | 16784 | GASKET | | 2 | | K-2199 |
| 17 | X-8L-602 | CAPSCREW | | 16 | 3/8"-16X1-1/2" | |
| 17 | X-8L-605 | CAPSCREW | | 1 | 3/8"-16X3" | |
| 17 | X-8L-614 | CAPSCREW | | 2 | 3/8"-16X2" | |
| 18 | S-1347 | REAR HOUSING ASSY | 17548 ,18736 ,18757 ,18784 ,19100 | 1 | | |
| 19 | 14335 | GASKET | | 1 | | K-2199 |
| 20 | X-8-682 | CAPSCREW | | 1 | 3/8"-16X3" | |
| 21 | 17106 | GASKET | | 1 | | K-2199,K-2256,K-2262,S-2151 |
| 22 | 19709 | COLLAR | | 1 | | K-2199,K-2256,K-2262,S-2151 |
| 23 | 20920 | OIL SEAL | 15087 | 1 | 3-1/2" I.D. | |
| 23 | K-2262 | OIL SEAL W/SLINGER | 19109 ,20807 ,20808 | 1 | "FOR MECHANICAL COVER" | |
| 24 | X-12-404 | PIPE PLUG | | 1 | 1/4" NPT | |



10304-5/93 Iron Hsg

* Bushing quantity requirements: #1 Housing – Upper bore use 4 #12815 / Lower bore use 2 #8677.

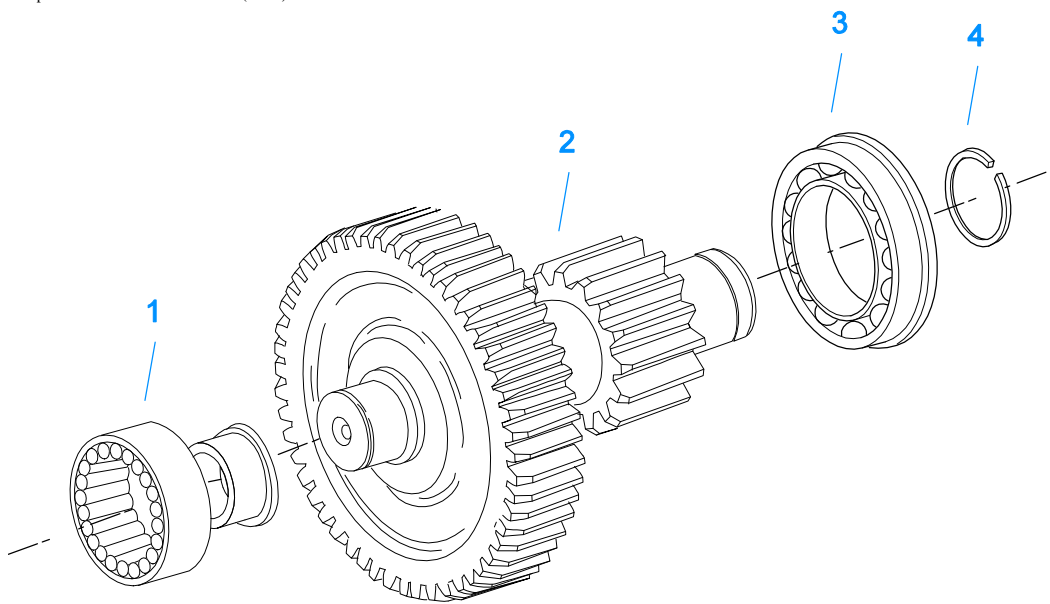
#2 Housing – Upper bore use 2 #12815 and 1 #8677 / Lower bore use 2 #8677.

Note: Some part requirements are specific to #1 or #2 Clutch Housings and Push or Pull type Clutch.

CASE (FRONT)

| Item | Current Part | Description | Replaced Part | Qty. | Notes | Kits/Assys Where Needed |
|------|--------------|-----------------------|------------------------------|------|--|-------------------------|
| 1 | S-1325 | NO LONGER AVAILABLE | 16950 | 1 | | |
| 2 | 4304023 | PLUG | 4303747 | 1 | 1-1/16" MAGNETIC, O-RING INCLUDED | |
| 2 | X-12-2007 | PIPE PLUG | X12 2006 | 1 | | |
| 3 | 4304023 | PLUG | 4303747 | 1 | 1-1/16" MAGNETIC, O-RING INCLUDED | |
| 3 | X-12-1207 | PIPE PLUG | X12 1202 ,X12 1206 | 1 | 3/4" MAGNETIC | |
| 4 | 4305310 | GASKET | 4302810 | 1 | | K-2199 |
| 5 | 4302809 | PTO COVER | 16596 ,4300571 | 1 | | |
| 6 | X-8-725 | CAPSCREW | X 8 724 | 8 | 7/16"-14X7/8" | |
| 7 | 4306584 | CLUTCH HOUSING GASKET | 4304815,4305668 | 1 | | K-2199 |
| 8 | A-3713 | CLUTCH HOUSING ASSY | A - 3700 | 1 | #1 PUSH-PULL IRON | |
| 8 | A-3723 | CLUTCH HOUSING ASSY | A - 3721 ,A - 3722 | 1 | #2 PUSH-PULL IRON | |
| 9 | 239614 | SCREW | X-8L-509 | 4 | 5/16-18X.81 QUANTITY DEPENDENT ON DESIGN | |
| 10 | 14506 | HAND HOLE COVER | | 1 | #2 PUSH | |
| 10 | 14507 | HAND HOLE COVER | | 1 | #2 PULL | |
| 10 | 4305230 | HAND HOLE COVER | 11453 | 1 | #1 PULL | |
| 10 | 4305231 | HAND HOLE COVER | 1565 | 1 | #1 PUSH | |
| 11 | 4306583 | STUD | 5966 | 6 | | |
| 12 | X-10-1005 | WASHER | X 3 1000 ,X10 1000 ,X10 1004 | 6 | 1.23 X 6.60 | |
| 13 | X-1-1012 | HEX NUT | X-1-1005 | 6 | .625-18 | |
| 14 | 15111 | FRONT BRG. COVER | | 1 | 2" PULL | |
| 14 | 18699 | FRONT BRG. COVER | | 1 | 1-3/4" & 2" PULL W/SEAL | |
| 14 | 20550 | FRONT BRG COVER | | 1 | 2" PULL | K-2468,K-4125 |
| 15 | X-8L-604 | CAPSCREW | | 6 | 3/8"-16X1-1/4" USE 6 PCS WITH PULL TYPE COVER USE 4 PCS WITH PUSH TYPE COVER | |
| 15 | X-8L-619 | CAPSCREW | | 2 | 3/8"-16X1-1/4" - USE WITH PUSH TYPE COVER | |

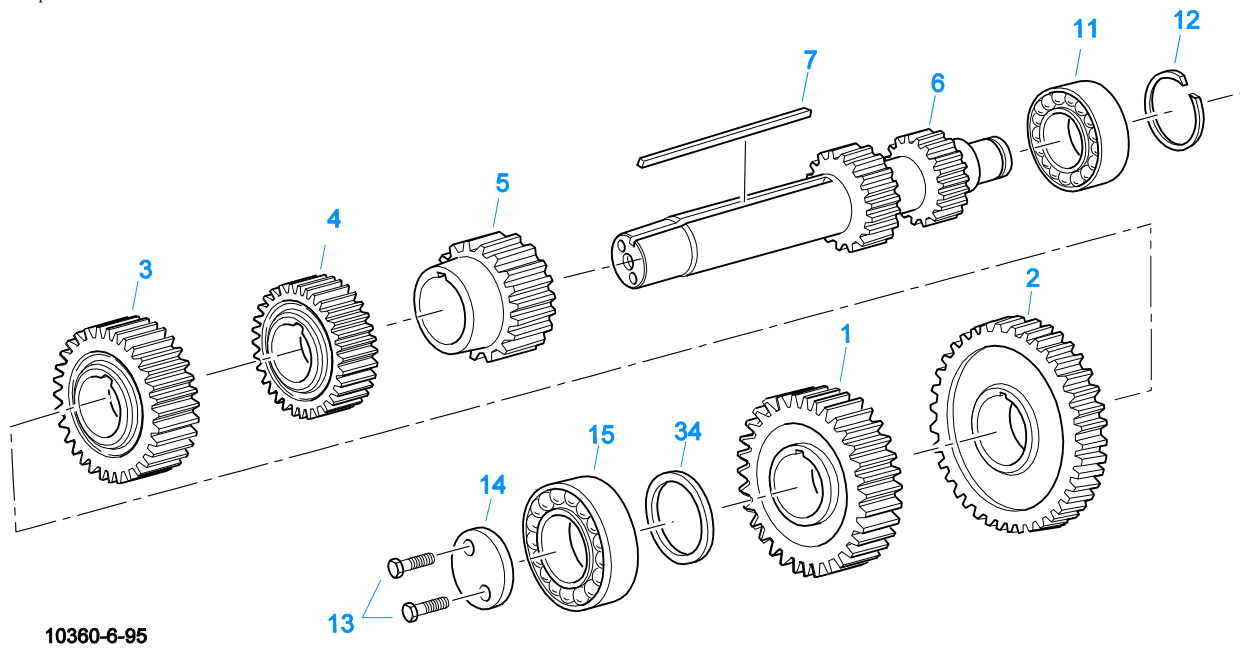
| Item | Current Part | Description | Replaced Part | Qty. | Notes | Kits/Assys Where Needed |
|------|--------------|-------------------------------|---------------------------------|------|---|-------------------------|
| 16 | 14994 | FRONT BRG. COVER | | 1 | 2" PUSH | |
| 16 | 15113 | FRONT BRG. COVER | | 1 | 1-3/4" & 2" PUSH W/SEAL | |
| 16 | 20549 | FRONT BRG COVER | | 1 | 2" PUSH | |
| 17 | 14311 | GASKET | | 1 | | K-2199 |
| 18 | 12815 | BUSHING | | 2 | FOR #2 HOUSING UPPER | A-3713,A-3723,K-2468 |
| 18 | 12815 | BUSHING | | 4 | FOR #1 HOUSING UPPER | A-3713,A-3723,K-2468 |
| 18 | 8677 | BUSHING | | 1 | FOR #2 HOUSING UPPER | A-3713,A-3723 |
| 19 | 8677 | BUSHING | | 2 | FOR #1 AND #2 HOUSING LOWER | A-3713,A-3723 |
| 20 | X-8C-830 | HEX HEAD SCREW/WASHER ASSY | X-8C-826 | 2 | .500-13 X 1.490 | |
| 20 | X-8C-831 | HEX HEAD SCREW/WASHER ASSY | X-8C-822 | 2 | .500-13 X 3.460, USE ON HORIZONTAL CENTER LINE | |
| 22 | X-8-686 | CAPSCREW | | 6 | 3/8"-16X3/4" | |
| 23 | 14575 | PTO COVER | 4302254 | 1 | | |
| 24 | 4305309 | GASKET | 1684 | 1 | | K-2199 |
| 27 | 14373 | MAGNET | | 3 | | |
| 28 | 14334 | DOWEL | | 2 | | |
| 29 | X-1-1012 | HEX NUT | | 2 | .625-18 | |
| 30 | X-10-1005 | WASHER | X 3 1000 ,X10 1000 .X10 1004 | 2 | 1.23 X 6.60 | |
| 31 | 14554 | STUD | 1632 ,6579 | 2 | 5/8" X 2-3/16" | |
| 36 | 23104 | PLUG | 1712 | 2 | | |
| 37 | X-8-1005 | CAPSCREW | | 2 | 5/8"-11X1-1/4" | |
| 38 | 20814 | SPACER | | 2 | | |
| 39 | X-12-802 | PIPE PLUG | X12 800 | 1 | 1/2" | |
| 40 | 12581 | OIL SEAL | | 1 | USE W/15113 COVER ONLY | |
| 41 | 16977 | SEAL | | 1 | 2" | |



10442-4/92 Aux CS

COUNTERSHAFT & BRGS(AUX)

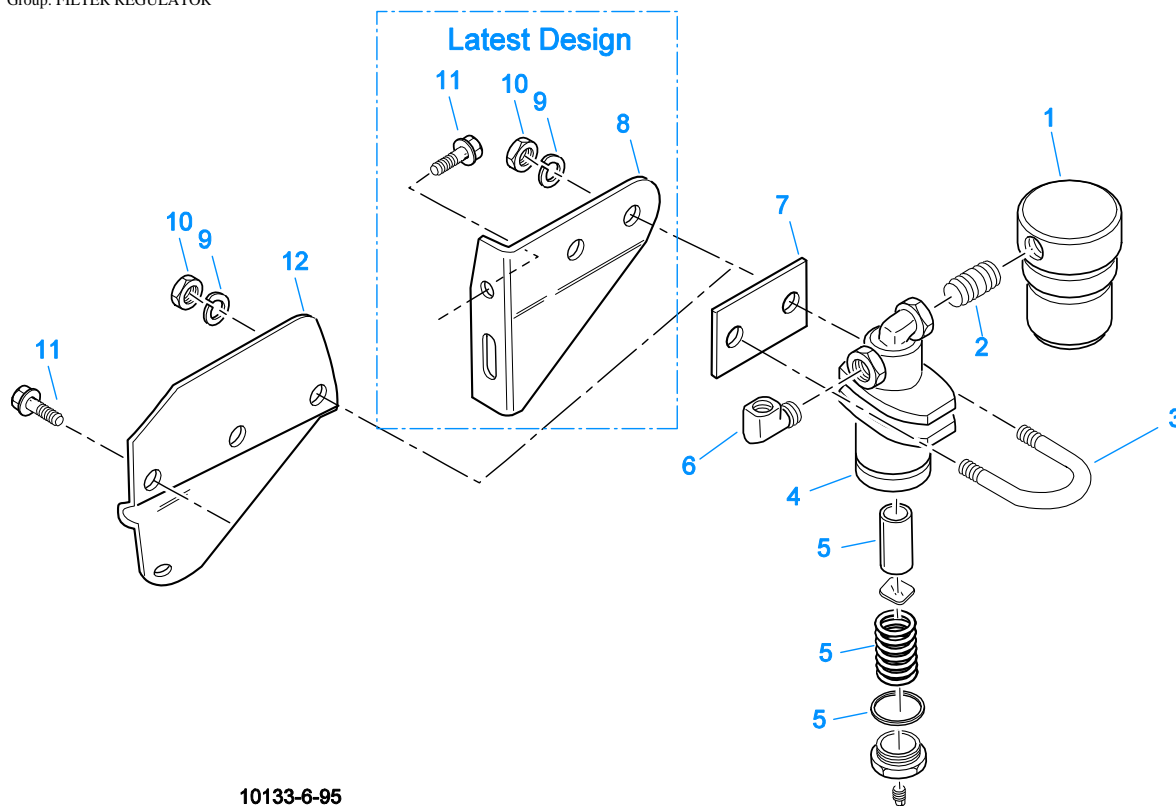
| Item | Current Part | Description | Replaced Part | Qty. | Notes | Kits/Assys Where Needed |
|------|--------------|---------------------|---------------|------|---------------------------|-------------------------|
| 1 | 16780 | BEARING | | 2 | USE W/A-4250 COUNTERSHAFT | |
| 1 | 8879 | BEARING | | 2 | USE W/A-4334 COUNTERSHAFT | K-1064,K-1861 |
| 2 | A-4334 | NO LONGER AVAILABLE | | 2 | D/G 17215 - C/S 17543 | |
| 2 | K-1008 | NO LONGER AVAILABLE | A - 4250 | 2 | | |
| 3 | 81012 | BEARING | | 2 | | K-1064,K-1861 |
| 4 | 11364 | SNAP RING | | 2 | | K-1064,K-1507,K-1861 |



10360-6-95

COUNTERSHAFT ASSY

| Item | Current Part | Description | Replaced Part | Qty. | Notes | Kits/Assys Where Needed |
|------|--------------|---------------------|---------------|------|---|-------------------------|
| 1 | 17569 | DRIVE GEAR-CNTRSHFT | | 2 | | |
| 2 | 15953 | PTO GEAR - LOWER | | 1 | | |
| 2 | 16390 | NO LONGER AVAILABLE | | 2 | OPTIONAL IF PTO GEARS ARE NOT USED | |
| 2 | 20840 | PTO GEAR - UPPER | 15952 | 1 | | |
| 3 | 16942 | NO LONGER AVAILABLE | | 2 | | |
| 4 | 16944 | 3RD GEAR-CNTRSHFT | | 2 | | |
| 5 | 16946 | NO LONGER AVAILABLE | | 2 | | |
| 6 | A-4560 | NO LONGER AVAILABLE | | 2 | WITH 1/2" RETAINER BOLTS C/S 18795 - 1ST 16948 | K-1685 |
| 6 | K-1685 | NO LONGER AVAILABLE | A - 4134 | 2 | | |
| 7 | 16952 | KEY | | 2 | | |
| 11 | 14366 | BEARING | | 2 | | K-1064,K-1861 |
| 12 | 14317 | SNAP RING | | 2 | | K-1064,K-1507,K-1861 |
| 13 | X-7-603 | BOLT | | 4 | 3/8"-24X1" USE W/19091 RETAINER | |
| 13 | X-7-802 | CAPSCREW | | 4 | 1/2"-20X1" USE W/19065 RETAINER | |
| 14 | 19065 | RETAINER | | 2 | 1/2" HOLES | K-1685 |
| 14 | 19091 | NO LONGER AVAILABLE | | 2 | 3/8" HOLES | |
| 15 | 20899 | BEARING | 81007 | 2 | | K-1064,K-1861 |
| 34 | 15949 | SPACER | | 2 | | |

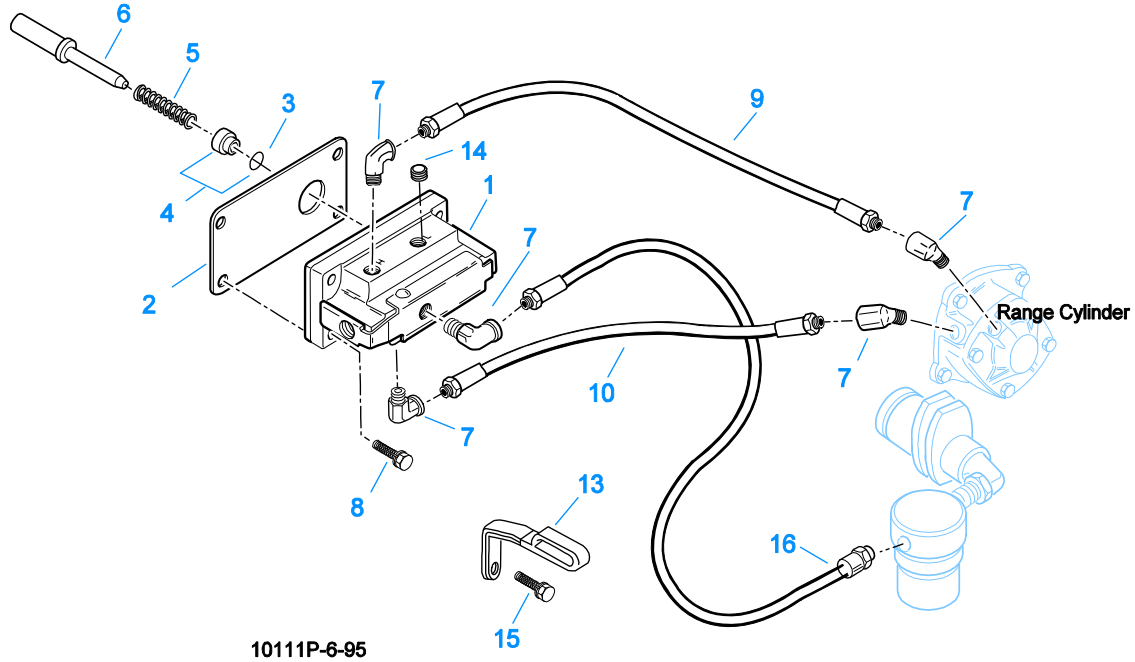


10133-6-95

FILTER REGULATOR

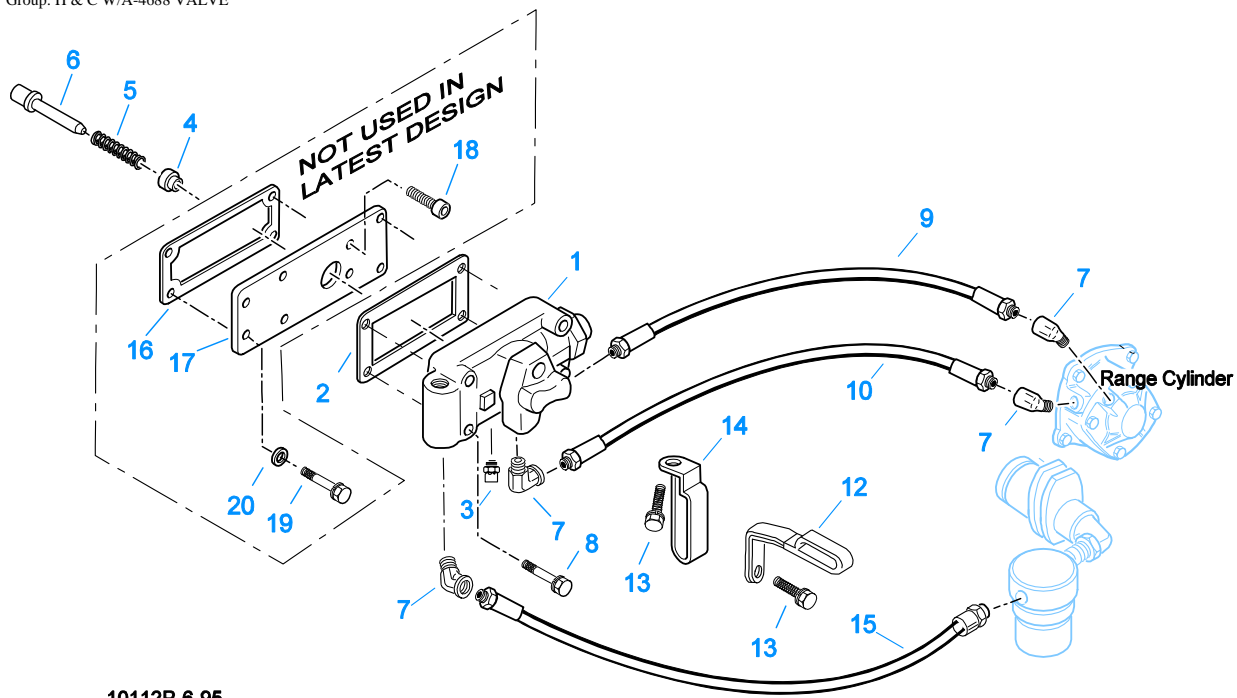
| Item | Current Part | Description | Replaced Part | Qty. | Notes | Kits/Assys Where Needed |
|------|--------------|---------------------|---------------|------|--------------|-------------------------|
| 1 | 16743 | REGULATOR VALVE | | 1 | | |
| 2 | 16741 | NIPPLE | | 1 | 1/4" | |
| 3 | 16742 | U-BOLT | | 1 | 1/4"-20 | |
| 4 | A-4041 | NO LONGER AVAILABLE | | 1 | | |
| 5 | K-1486 | REPAIR KIT-FILTER | | 1 | | |
| 6 | 16865 | STREET ELL | | 1 | | |
| 7 | 18860 | NO LONGER AVAILABLE | | 1 | | |
| 8 | 17107 | NO LONGER AVAILABLE | | 1 | | |
| 9 | X-3-400 | LOCKWASHER | | 2 | 1/4" | |
| 10 | X-1-401 | NUT | | 2 | 1/4" | |
| 11 | X-8L-601 | CAPSCREW | | 2 | 3/8"-16X3/4" | |
| 12 | 16744 | BRACKET | | 1 | | |

Group: H & C W/19470 VALVE



H & C W/19470 VALVE

| Item | Current Part | Description | Replaced Part | Qty. | Notes | Kits/Assys Where Needed |
|------|--------------|-----------------------|--------------------|------|------------------|-------------------------|
| 1 | K-2424 | VALVE REPLACEMENT KIT | 19470 | 1 | | |
| 2 | 19481 | GASKET | | 1 | | K-1963,K-2199,K-2424 |
| 3 | 19462 | -O- RING | 14033 | 1 | | A-4688,K-1699,K-1969 |
| 4 | K-1969 | SLEEVE KIT | 14362 19460 ,21446 | 1 | FOR SLAVE VALVES | K-1963 |
| 5 | 21268 | SPRING | 19572 | 1 | | K-1963 |
| 6 | 20490 | PIN | 19459 | 1 | | K-1963 |
| 7 | 12845 | ELBOW | | 5 | 1/8" | K-1963 |
| 8 | X-8C-401 | CAPSCREW | | 4 | 1/4"-20X1-1/8" | |
| 9 | 55522 | HOSE ASSY | | 1 | 28" | |
| 10 | 55524 | HOSE ASSY | | 1 | 27" | |
| 13 | 18769 | HOSE CLAMP | 12152 | 1 | | |
| 14 | X-12-208 | PIPE PLUG | | 1 | 1/8" NPT | |
| 15 | X-8L-614 | CAPSCREW | | 1 | 3/8"-16X2" | |
| 16 | 55533 | NO LONGER AVAILABLE | | 1 | 17-1/2" | |

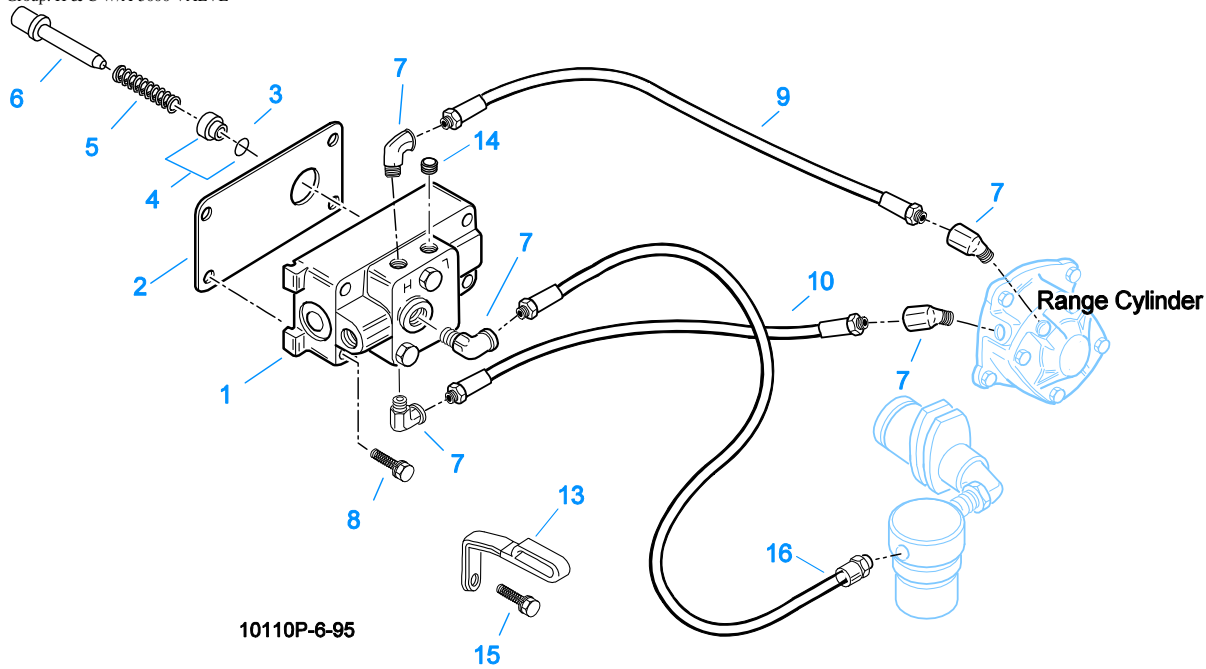


10112P-6-95

H & C W/A-4688 VALVE

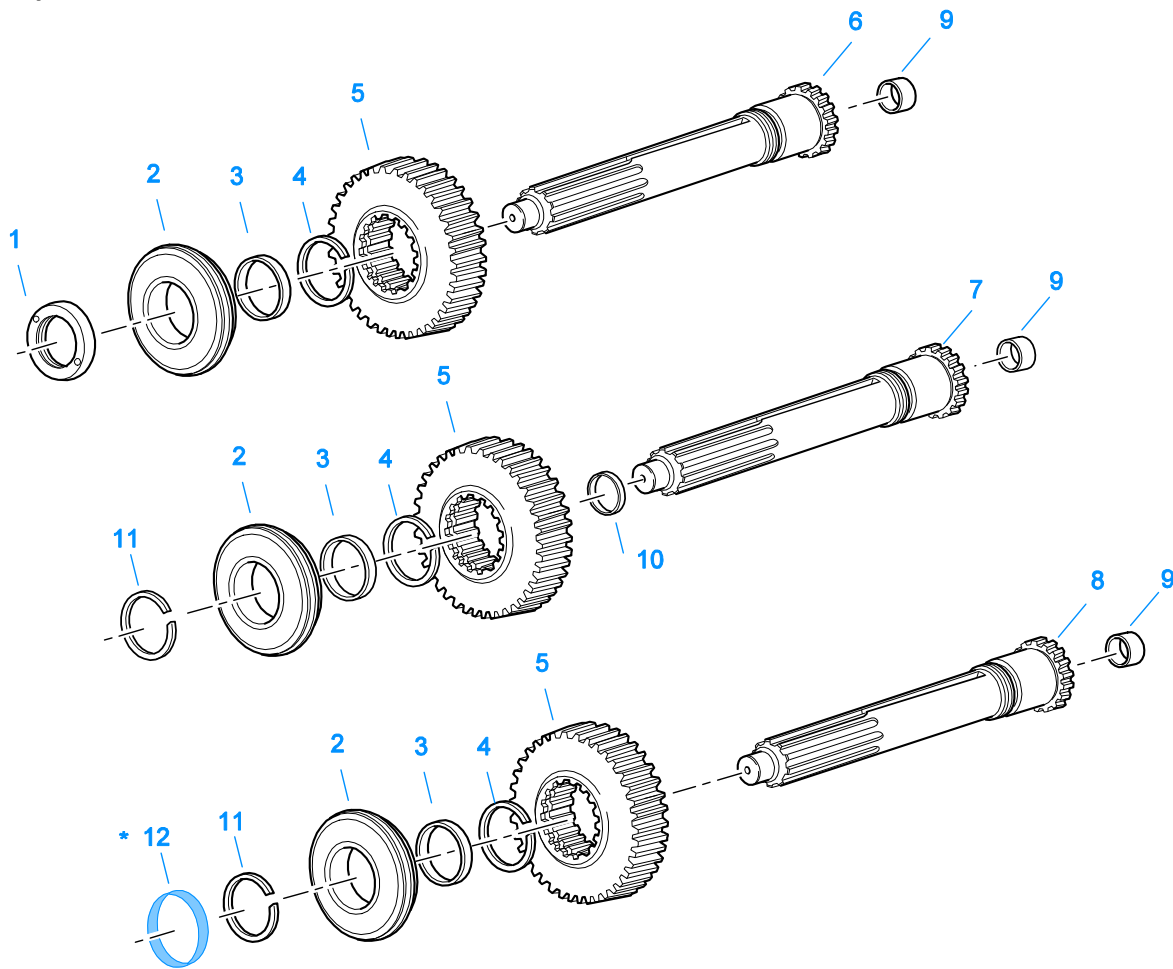
| Item | Current Part | Description | Replaced Part | Qty. | Notes | Kits/Assys Where Needed |
|------|--------------|---------------------|------------------------|------|------------------|---|
| 1 | A-4688 | SLAVE VALVE ASSY | 15125 ,19464 ,A - 3991 | 1 | | |
| 2 | 15758 | GASKET | | 1 | | K-1699,K-2199 |
| 3 | X2014210 | BREATHER | 7935 | 1 | | |
| 4 | K-1969 | SLEEVE KIT | 14362 19460 ,21446 | 1 | FOR SLAVE VALVES | K-1963 |
| 5 | 6392 | SPRING | | 1 | | K-1507,S-1219,S-1527,S-1528,S-1529,S-1531 |
| 6 | 14361 | PIN | | 1 | | K-1507 |
| 7 | 12845 | ELBOW | | 4 | 1/8" | K-1963 |
| 8 | X-8L-411 | CAPSCREW | X 8 411 | 4 | 1/4"-20X1-3/4" | |
| 9 | 55526 | HOSE ASSY | | 1 | 26" | |
| 10 | 55523 | HOSE ASSY | | 1 | 29" | |
| 12 | 18769 | HOSE CLAMP | 12152 | 1 | | |
| 13 | X-8L-614 | CAPSCREW | | 2 | 3/8"-16X2" | |
| 14 | 16217 | NO LONGER AVAILABLE | | 1 | | |
| 15 | 55506 | HOSE ASSY | | 1 | 18" | |
| 16 | 14364 | GASKET | | 1 | | K-2199 |
| 17 | 14786 | NO LONGER AVAILABLE | | 1 | | |
| 18 | X-8-425 | CAPSCREW | | 2 | 1/4"-20X5/8" | |
| 19 | X-8-410 | CAPSCREW | | 2 | 1/4"-20X7/8" | |
| 20 | X-3-400 | LOCKWASHER | | 2 | 1/4" | |

Group: H & C W/A-5000 VALVE



H & C W/A-5000 VALVE

| Item | Current Part | Description | Replaced Part | Qty. | Notes | Kits/Assys Where Needed |
|------|--------------|---------------------|--------------------|------|------------------|-------------------------|
| 1 | A-5000 | SLAVE VALVE ASSY | 20850 | 1 | | K-1963,K-2424 |
| 2 | 19481 | GASKET | | 1 | | K-1963,K-2199,K-2424 |
| 3 | 19462 | -O- RING | 14033 | 1 | | A-4688,K-1699,K-1969 |
| 4 | K-1969 | SLEEVE KIT | 14362 19460 ,21446 | 1 | FOR SLAVE VALVES | K-1963 |
| 5 | 21268 | SPRING | 19572 | 1 | | K-1963 |
| 6 | 20490 | PIN | 19459 | 1 | | K-1963 |
| 7 | 12845 | ELBOW | | 5 | 1/8" | K-1963 |
| 8 | X-8C-411 | CAPSCREW | | 4 | 1/4"-20X1-3/4" | |
| 9 | 55522 | HOSE ASSY | | 1 | 28" | |
| 10 | 55524 | HOSE ASSY | | 1 | 27" | |
| 13 | 18769 | HOSE CLAMP | 12152 | 1 | | |
| 14 | X-12-208 | PIPE PLUG | | 1 | 1/8" NPT | |
| 15 | X-8L-614 | CAPSCREW | | 1 | 3/8"-16X2" | |
| 16 | 55533 | NO LONGER AVAILABLE | | 1 | 17-1/2" | |

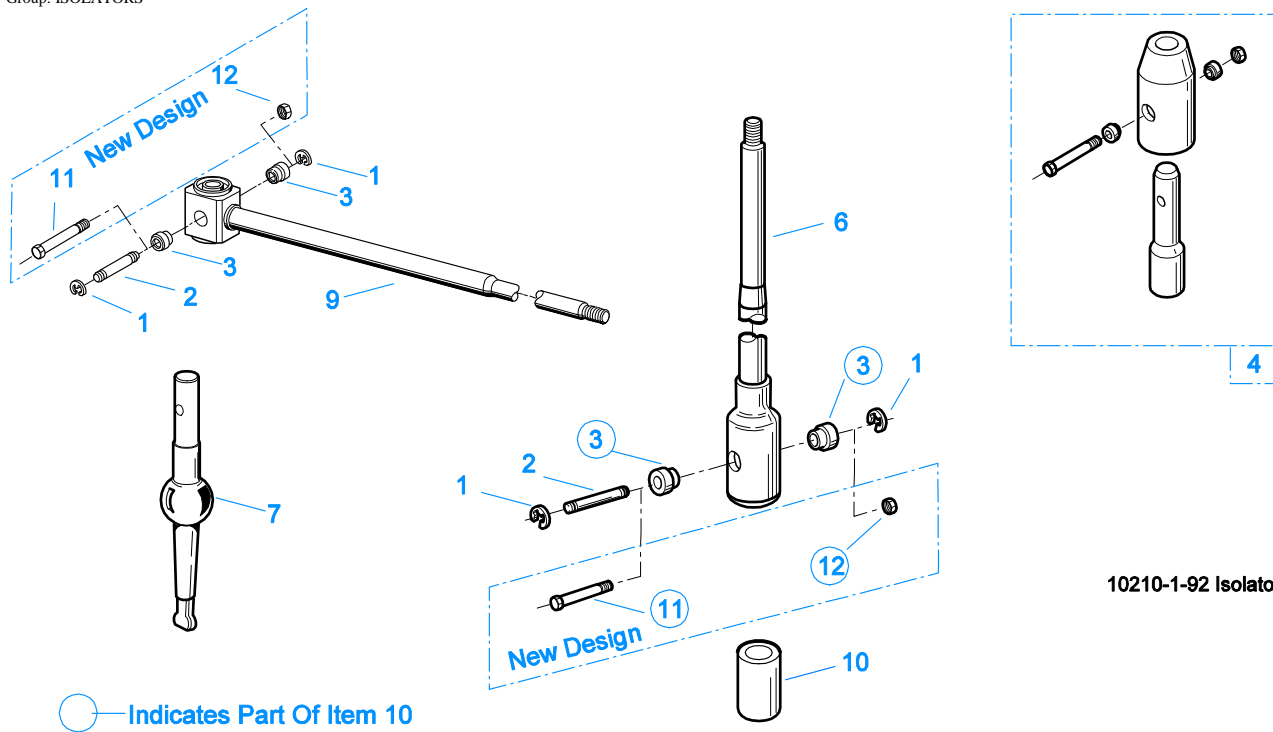


10372-5/93 IS (3)

* For Shipping Only -- Do Not Replace

INPUT SHAFT & DRIVE GEAR

| Item | Current Part | Description | Replaced Part | Qty. | Notes | Kits/Assys Where Needed |
|------|--------------|-----------------|----------------------|------|----------------------------------|------------------------------------|
| 1 | 8858 | NUT | | 1 | PUSH | |
| 1 | 8997 | NUT | | 1 | PULL | K-1064 |
| 2 | 81504 | BEARING | | 1 | | K-1064,K-1861,K-2468,K-4125 |
| 3 | 16463 | SPACER | | 1 | | |
| 4 | 14750 | SNAP RING | | 1 | | K-1064,K-1507,K-1861,K-2468,K-4125 |
| 5 | 17568 | MAIN DRIVE GEAR | | 1 | | |
| 6 | S-1128 | INPUT SHAFT | 16465 | 1 | 2" PULL - USE W/FBC 15111 | K-1064 |
| 6 | S-1129 | INPUT SHAFT | 16466 | 1 | 2" PUSH - USE W/FBC 14994 | |
| 7 | S-1409 | INPUT SHAFT | 18837 | 1 | 2" PULL W/SEAL - USE W/FBC 18699 | |
| 8 | S-1659 | INPUT SHAFT | 20535 23566 ,4302661 | 1 | 2" PULL - USE W/FBC 20550 | K-2468,K-4125 |
| 8 | S-1660 | INPUT SHAFT | 20536 ,23567 | 1 | 2" PUSH - USE W/FBC 20549 | |
| 9 | 16566 | BUSHING | | 1 | | S-1128,S-1129,S-1409,S-1659,S-1660 |
| 10 | 16978 | SLEEVE | | 1 | 2" W/SEAL | S-1409 |
| 11 | 16980 | SNAP RING | | 1 | | K-2468,K-4125 |
| 12 | 23559 | SHIPPING SEAL | | 1 | NOT SOLD FOR SERVICE | |



10210-1-92 Isolator

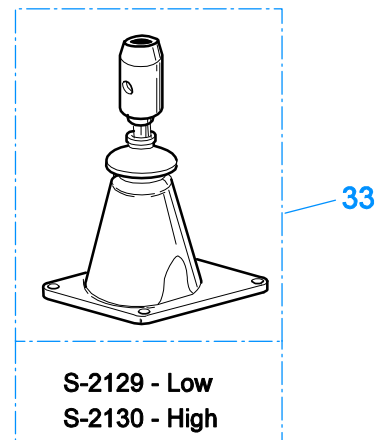
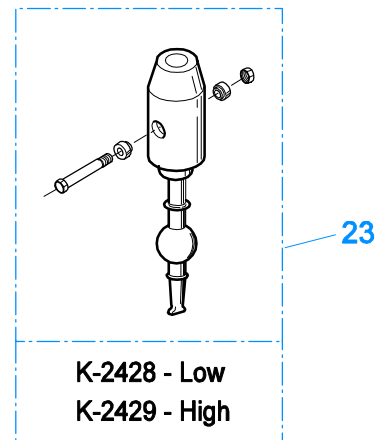
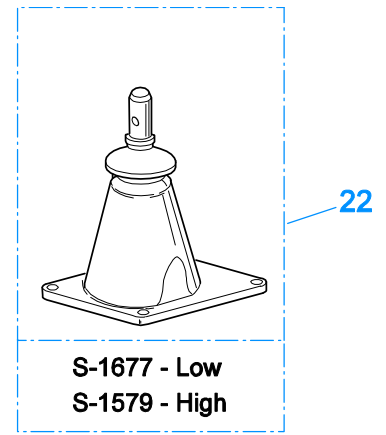
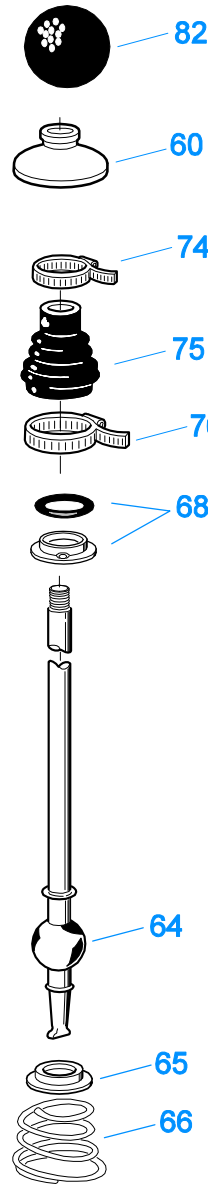
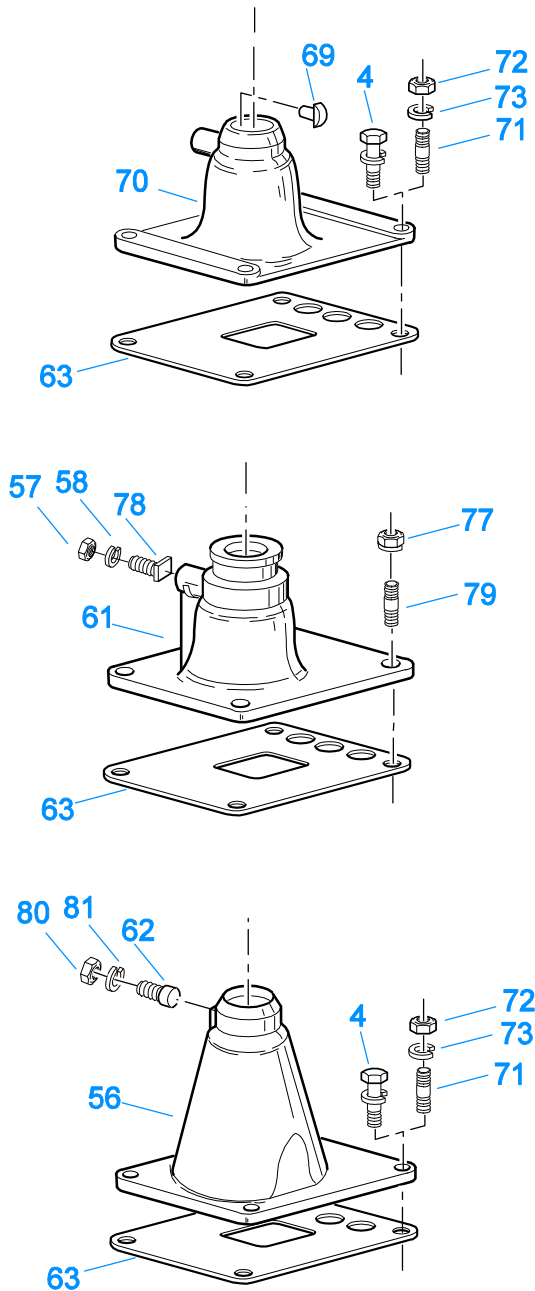
ISOLATORS

| Item | Current Part | Description | Replaced Part | Qty. | Notes | Kits/Assys Where Needed |
|------|--------------|----------------------|---------------|------|-----------------|---|
| 1 | 19124 | -E- RING | | 2 | | |
| 2 | K-3467 | PIN REPLACEMENT KIT | 21245 | 1 | | |
| 3 | 21246 | BUSHING | | 2 | | K-2003,K-2428,K-2429,K-3399,S-2129,S-2130 |
| 4 | S-1794 | ISOLATOR ASSY | | 1 | | |
| 6 | 21247 | LEVER | | 1 | STRAIGHT 18.67" | |
| 7 | 21235 | STUB LEVER | | 1 | LOW TOWER | K-2428,S-1677 |
| 7 | 21236 | STUB LEVER | | 1 | HIGH TOWER | K-2429,S-1579,S-2130 |
| 9 | 21767 | 90 DEG LEVER | | 1 | STRAIGHT 33" | |
| 10 | K-3399 | ISOLATOR BUSHING KIT | 21244 ,23311 | 1 | | |
| 11 | X-8-560 | SCREW | | 1 | | |
| 12 | X-9-503 | NUT | | 1 | | |

KITS & ASSEMBLIES

| Item | Current Part | Description | Replaced Part | Qty. | Notes | Kits/Assys Where Needed |
|--------|--------------|---|--|------|--|-------------------------|
| K-1064 | | BASIC OVERHAUL KIT | | 1 | | |
| K-1431 | | RANGE CYL-KIT | | 1 | | |
| K-1450 | | -O- RING KIT-RANGE | | 1 | | K-1064,K-1861 |
| K-1476 | | SHIFT LEVER HSG | 4530 ,17163 ,18298 ,4304905 ,A - 4437 | 1 | LOW TOWER | |
| K-1486 | | REPAIR KIT-FILTER | | 1 | | |
| K-1507 | | SMALL PARTS KIT | | 1 | | |
| K-1566 | | VALVE REPAIR KIT | | 1 | FOR A-3546 VALVE | |
| K-1613 | | CAP REPLACEMENT KIT | 16429 ,18707 | 1 | FOR A-4688 VALVE | |
| K-1631 | | SHIFT LEVER HSG | 14456 ,17168 ,4304327 | 1 | LOW | |
| K-1699 | | REPAIR KIT-SLAVE VALVE | | 1 | FOR A-4688 VALVE | |
| K-1702 | | OIL COOLER KIT | | 1 | | |
| K-1706 | | PUMP INSTALLATION KIT | | 1 | | |
| K-1711 | | COLLAR KIT | 19404 | 1 | | |
| K-1714 | | NO LONGER AVAILABLE | | 1 | RTO | |
| K-1847 | | REPL KIT-DRIVE GEAR | 17214 ,20350 | 1 | | |
| K-1861 | | BASIC REBUILD KIT | | 1 | | |
| K-1921 | | MASTER VALVE REPAIR KIT | | 1 | FOR A-6909 & A-5010 VALVES | |
| K-1935 | | REPAIR KIT-SLAVE VALVE | | 1 | FOR A-5000 VALVE | |
| K-1956 | | COOLER INSTLN KIT | | 1 | | |
| K-1963 | | VALVE CONVERSION KIT | | 1 | CONVERTS A-4688 TO A-5000 VALVE | |
| K-1969 | | SLEEVE KIT | 14362 19460 ,21446 | 1 | FOR SLAVE VALVES | K-1963 |
| K-2003 | | PIN & BUSHING KIT | | 1 | | |
| K-2010 | | VALVE CONVERSION KIT | | 1 | FOR A-5010 VALVE | |
| K-2199 | | GASKET KIT | | 1 | | K-1064,K-1861 |
| K-2256 | | OIL SEAL KIT | 14337 ,19109 ,21036 | 1 | | |
| K-2262 | | OIL SEAL W/SLINGER | 19109 ,20807 ,20808 | 1 | "FOR MECHANICAL COVER" | |
| K-2394 | | AIR SYSTEMS TOOL KIT | | 1 | | |
| K-2424 | | VALVE REPLACEMENT KIT | 19470 | 1 | | |
| K-2428 | | LEVER REPLACEMENT KIT | | 1 | LOW TOWER | |
| K-2429 | | LEVER REPLACEMENT KIT | | 1 | HIGH TOWER | |
| K-2468 | | CLUTCH INSTALLATION KIT | | 1 | FOR USE WITH S-1659 INPUT SHAFT ASSY AND 81504 INPUT SHAFT BEARING | |
| K-2957 | | COUNTERSHAFT REPL KIT | 4300118 | 1 | | |
| K-2973 | | SHIFT LEVER HSG KIT | 17166 ,17167 ,4303050 ,4304910 ,K - 1630 K - 1941 | 1 | HIGH TOWER | |
| K-3399 | | ISOLATOR BUSHING KIT | 21244 ,23311 | 1 | | |
| K-3467 | | PIN REPLACEMENT KIT | 21245 | 1 | | |
| K-3491 | | SYNCHRONIZER KIT | K - 2445 | 1 | LO RANGE / SMALL PIN | |
| K-3492 | | SYNCHRONIZER KIT | K - 2446 | 1 | LO RANGE / LARGE PIN | |
| K-3494 | | SYNCHRONIZER REPLACEMENT KIT | K - 2448 | 1 | SLIDING CLUTCH INCLUDED IN KIT | |
| K-3651 | | OIL SEAL TOOL KIT | | 1 | | |
| K-4125 | | CLUTCH INSTALLATION KIT (RT), HYDRAULIC RELEASE | | 1 | STANDARD RT INPUT SHAFT AND YOKE FOR HYDRAULIC CLUTCH RELEASE | |
| S-1128 | | INPUT SHAFT | 16465 | 1 | 2" PULL | K-1064 |
| S-1129 | | INPUT SHAFT | 16466 | 1 | 2" PUSH | |
| S-1219 | | YOKE ASSY LOW-REV | | 1 | | |
| S-1341 | | MAINSHAFT ASSY | 16761 ,18729 | 1 | | |
| S-1347 | | REAR HOUSING ASSY | 17548 ,18736 ,18757 ,18784 ,19100 | 1 | | |
| S-1404 | | OIL FILTER | 17238 | 1 | | |
| S-1409 | | INPUT SHAFT | 18837 | 1 | 2" PULL W/SEAL | |
| S-1440 | | SHIFT BAR HSG (STD) | 15890 ,15928 ,16913 ,17115 ,17180 17182 ,17428 ,18571 ,18640 | 1 | HOUSING ONLY | |

| Item | Current Part | Description | Replaced Part | Qty. | Notes | Kits/Assys Where Needed |
|--------|--------------|-----------------------------|---|------|------------------------------------|-------------------------|
| | | | ,18644 ,18840 ,18847 ,19448 ,19449 ,19453 19454 ,19455 ,19605 ,20074 ,20210 ,20211 ,21133 ,22955 ,S - 1360 ,S - 1364 S - 1376 ,S - 1377 | | | |
| S-1441 | | SHIFT BAR HSG (F) | 15891 ,16340 ,16564 ,17114 ,17128 17181 ,17218 ,17492 ,17577 ,17900 18203 ,18436 ,18642 ,18646 ,18886 19159 ,19450 ,19451 ,19456 ,19457 19458 ,19717 ,19956 ,20072 ,20212 20213 ,21134 ,22956 ,S - 1106 ,S - 1361 S - 1370 ,S - 1374 ,S - 1375 ,S - 1378 | 1 | HOUSING ONLY | |
| S-1445 | | SHIFT BAR HSG (X) | 18920 ,20135 ,20214 ,20215 ,20487 21135 | 1 | HOUSING ONLY (X) | |
| S-1446 | | SHIFT BAR HSG (XF) | 18925 ,20136 ,20216 ,20217 ,20488 21136 ,S - 1361 | 1 | HOUSING ONLY (XF) | |
| S-1516 | | CAP ASSY | 20851 ,20853 | 1 | | |
| S-1527 | | SHIFT BAR HSG ASSY (X) | 20215 ,21135 | 1 | COMPLETE (X) | |
| S-1528 | | SHIFT BAR HSG ASSY (XF) | 20217 ,21136 | 1 | COMPLETE (XF) | |
| S-1529 | | SHIFT BAR HSG ASSY (F) | 20213 ,22956 | 1 | COMPLETE | |
| S-1531 | | SHIFT BAR HSG ASSY (STD) | 20211 ,22955 | 1 | COMPLETE | |
| S-1659 | | INPUT SHAFT | 20535 23566 ,4302661 | 1 | 2" PULL - USE W/FBC 20550 | K-2468,K-4125 |
| S-1660 | | INPUT SHAFT ASSY | 20536 ,23567 | 1 | 2" PUSH - USE W/FBC 20549 | |
| S-1794 | | ISOLATOR ASSY | | 1 | | |
| S-2129 | | SHIFT LEVER HSG ASSY | | 1 | LOW TOWER | |
| S-2130 | | SHIFT LEVER HSG ASSY | S - 2053 | 1 | HIGH TOWER | |
| S-2151 | | REAR BRG COVER ASSY | S - 1429 | 1 | | |
| S-2543 | | ROADRANGER VALVE ASSY | A - 5043 | 1 | RT - W/SHIFT DIAGRAM MEDALLION | |
| S-2544 | | ROADRANGER VALVE ASSY | A - 5045 | 1 | RTO - W/SHIFT DIAGRAM MEDALLION | |

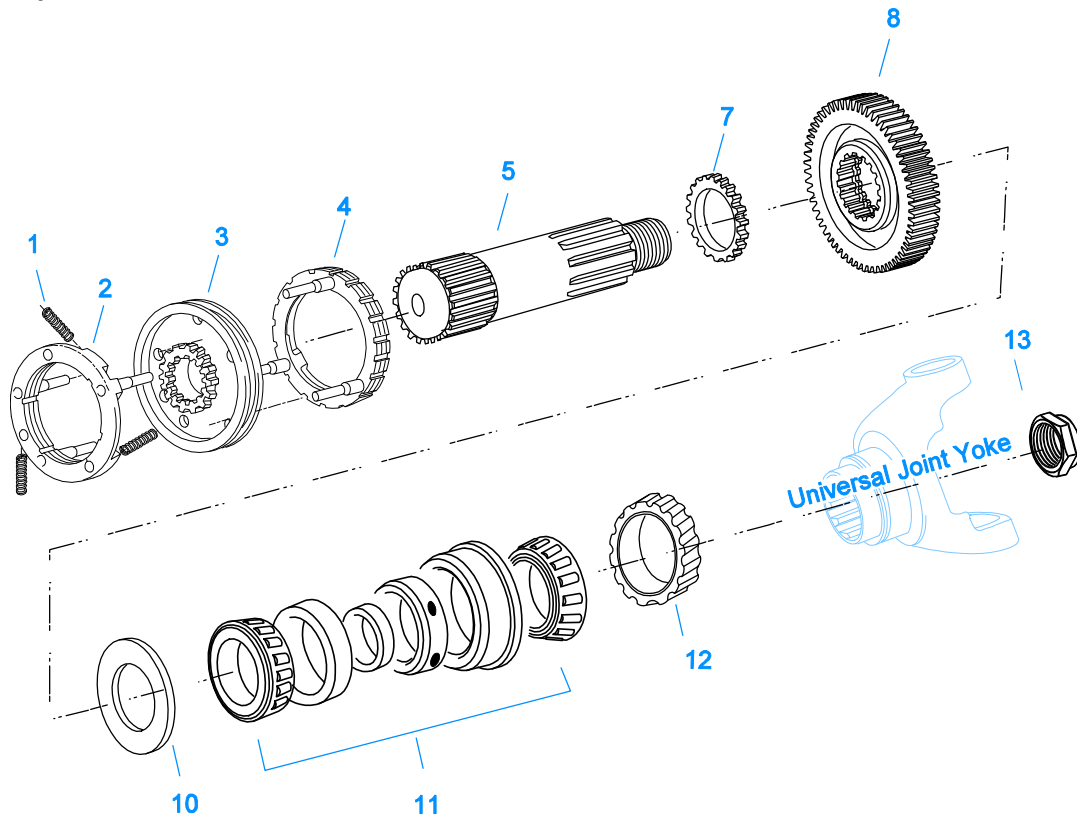


10203-6-94

LEVERS/HOUSINGS

| Item | Current Part | Description | Replaced Part | Qty. | Notes | Kits/Assys Where Needed |
|------|--------------|-----------------------|---------------|------|----------------|---|
| 4 | X-8C-604 | CAPSCREW | | 4 | 3/8"-16X1-1/4" | S-1445,S-1446,S-1527,S-1528,S-1529,S-1531 |
| 22 | S-1579 | SHIFT TOWER ASSY | | 1 | HIGH TOWER | |
| 22 | S-1677 | SHIFT TOWER ASSY | | 1 | LOW TOWER | |
| 23 | K-2428 | LEVER REPLACEMENT KIT | | 1 | LOW TOWER | |
| 23 | K-2429 | LEVER REPLACEMENT KIT | | 1 | HIGH TOWER | |
| 33 | S-2129 | SHIFT LEVER HSG ASSY | | 1 | LOW TOWER | |

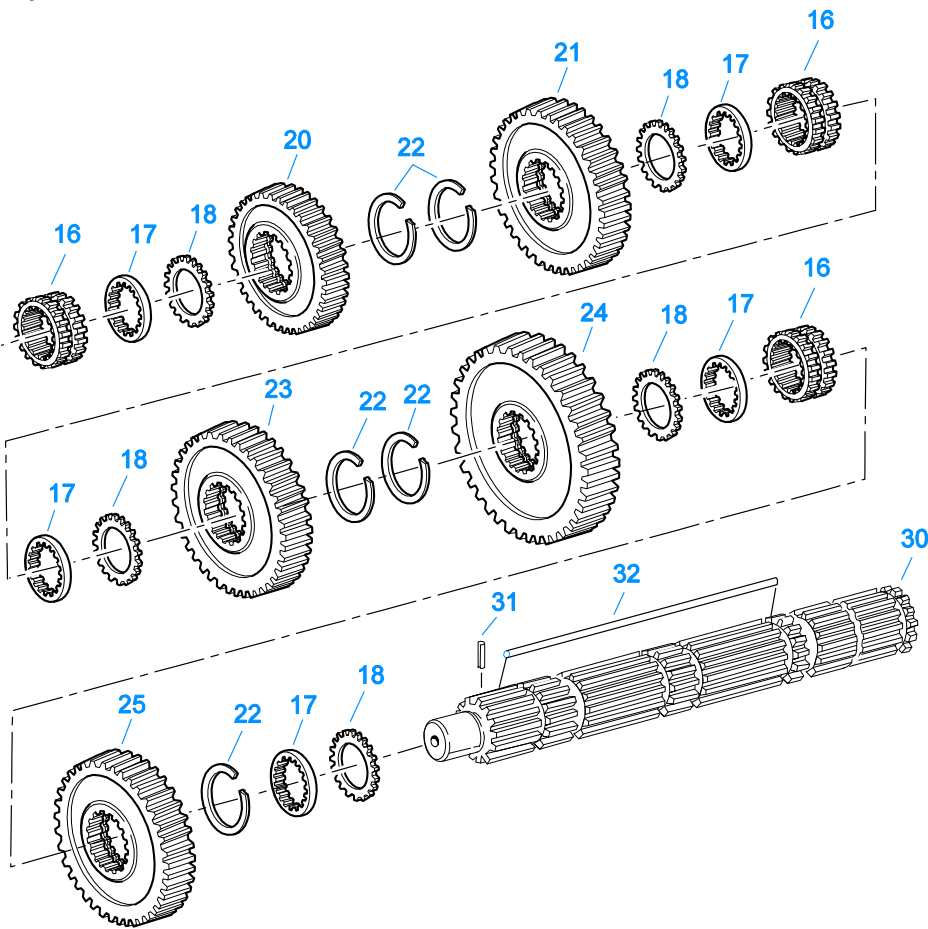
| Item | Current Part | Description | Replaced Part | Qty. | Notes | Kits/Assys Where Needed |
|------|--------------|----------------------|---|------|------------------------------------|--|
| 33 | S-2130 | SHIFT LEVER HSG ASSY | S - 2053 | 1 | HIGH TOWER | |
| 56 | K-2973 | SHIFT LEVER HSG KIT | 17166 ,17167 ,4303050 ,4304910 ,K - 1630 K - 1941 | 1 | HIGH TOWER | |
| 57 | X-1-500 | NUT | | 1 | 5/16"-24 | |
| 58 | X-3-500 | LOCKWASHER | | 1 | 5/16" | |
| 60 | 10427 | BOOT | | 1 | | K-1476,K-2973,S- 1579,S-1677,S-2130 |
| 61 | K-1627 | NO LONGER AVAILABLE | 14573 ,17164 | 1 | HIGH | |
| 61 | K-1631 | SHIFT LEVER HSG | 14456 ,17168 ,4304327 | 1 | LOW, USE W/14795 BOOT | |
| 62 | 2271 | NO LONGER AVAILABLE | | 1 | 5/16" | |
| 62 | 6541 | PIN | | 1 | 3/8" | |
| 63 | 4305294 | GASKET | 4303431 | 1 | | K-1476,K-1631,K- 1702,K-2199,K- 2428,K-2429,K-2973,S- 1527,S-1528,S-1529,S- 1531,S-1579,S-1677,S- 2129,S-2130 |
| 64 | 17600 | GEAR SHIFT LEVER | | 1 | STRAIGHT - LOW 21-1/2" | |
| 64 | 17842 | GEAR SHIFT LEVER | | 1 | STD-HIGH 25.81" | |
| 64 | 18482 | GEAR SHIFT LEVER | | 1 | STRAIGHT - HIGH 35" | |
| 65 | 2538 | RETAINER | | 1 | | K-1476,K-2973,S- 1579,S-1677,S-2130 |
| 66 | 2536 | SPRING | | 1 | | K-1476,K-2973,S- 1579,S-1677,S-2130 |
| 68 | K-3376 | O-RING & WASHER KIT | 4301211 | 1 | | |
| 69 | 18299 | PIN | | 1 | | K-1476,S-1677 |
| 70 | K-1476 | SHIFT LEVER HSG | 4530 ,17163 ,18298 ,4304905 ,A - 4437 | 1 | LOW TOWER | |
| 71 | 11934 | STUD | 7467 | 4 | | |
| 72 | X-1-600 | NUT | | 4 | 3/8"-24-N.F.PLAIN | |
| 73 | X-3-600 | LOCKWASHER | | 4 | 3/8" | |
| 74 | 14453 | CLAMP | | 1 | | |
| 75 | 14795 | BOOT | | 1 | | |
| 76 | 14454 | CLAMP | | 1 | | |
| 77 | X-1-604 | NUT | | 4 | 3/8"-24 | |
| 78 | 14461 | PIN | | 1 | | |
| 79 | 14236 | NO LONGER AVAILABLE | | 4 | | |
| 80 | X-1-500 | NUT | | 1 | 5/16"-24 - USE W/2271 PIN | |
| 80 | X-1-600 | NUT | | 1 | 3/8"-24-N.F.PLAIN - USE W/6541 PIN | |
| 81 | X-3-500 | LOCKWASHER | | 1 | 5/16" - USE W/2271 PIN | |
| 81 | X-3-600 | LOCKWASHER | | 1 | 3/8" - USE W/6541 PIN | |
| 82 | 1075 | NO LONGER AVAILABLE | | 1 | 5/8"-11 | |
| 82 | 17560 | LEVER GRIP | | 1 | 1/2"-13 | |



10429-6-94 Aux MS

MAINSHAFT & SYNCHRO(AUX)

| Item | Current Part | Description | Replaced Part | Qty. | Notes | Kits/Assys Where Needed |
|------|--------------|-----------------------|--------------------------|------|------------------------|---|
| 1 | 14897 | SPRING | | 3 | | K-1064,K-1507,K-1861,K-3491,K-3492,K-3494 |
| 2 | A-7331 | SYNCHRONIZER ASSY | 4304396 4304397 A - 5917 | 1 | HI RANGE | K-3491,K-3492,K-3494 |
| 3 | 20323 | SLIDING CLUTCH | | 1 | USE W/A-4937 OR A-5876 | K-3494 |
| 4 | A-6153 | SYNCHRONIZER ASSY | A - 4416 | 1 | LO RANGE - SMALL PIN | K-3491 |
| 4 | A-7254 | SYNCHRONIZER ASSEMBLY | A - 4937 A - 5876 | 1 | LO RANGE - LARGE PIN | K-3492,K-3494 |
| 5 | 16785 | NO LONGER AVAILABLE | | 1 | | |
| 7 | 17213 | SPACER | | 1 | | K-1507 |
| 8 | 17217 | LO GEAR-MAINSHAFT | | 1 | | |
| 10 | 17212 | WASHER | | 1 | | K-1507 |
| 11 | 15260 | BEARING | | 1 | | K-1064,K-1861 |
| 12 | 20191 | ROTOR | | 1 | | |
| 13 | 22254 | NUT | 11956 | 1 | | |



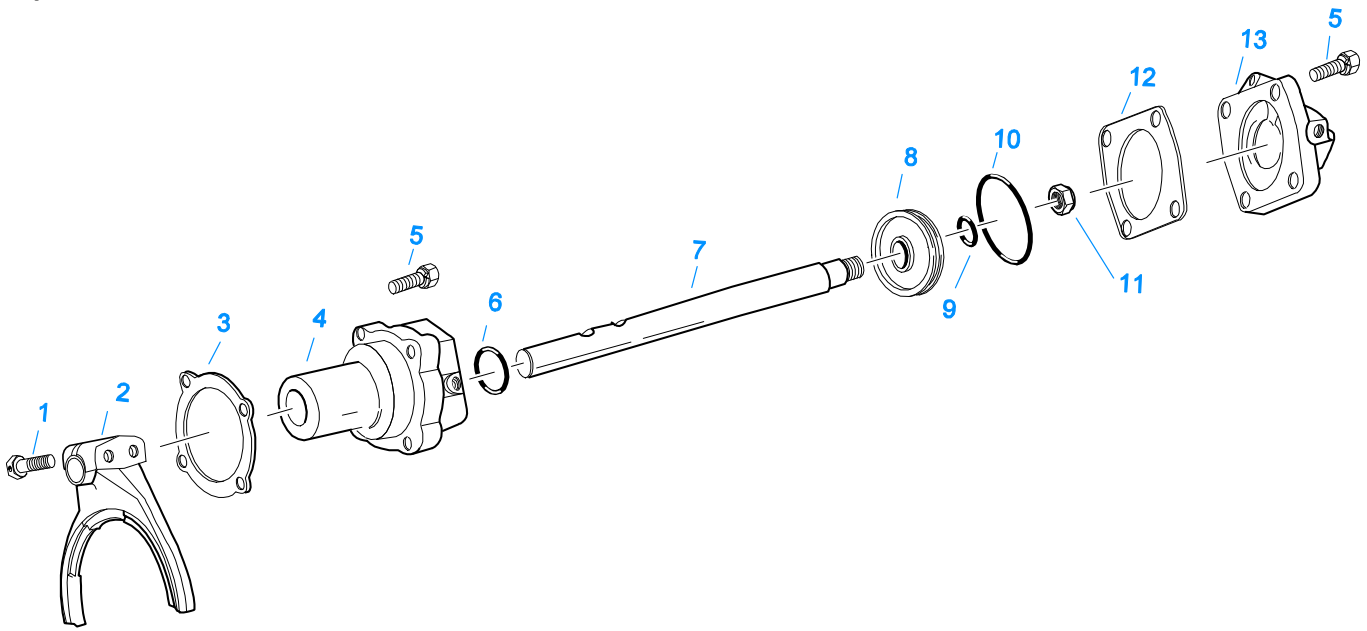
10334-6-95

MAINSHAFT ASSY

| Item | Current Part | Description | Replaced Part | Qty. | Notes | Kits/Assys Where Needed |
|------|--------------|-------------------------|---------------|------|---------------------------|------------------------------------|
| 16 | 16118 | SLIDING CLUTCH | | 3 | | K-1064 |
| 17 | 14711 | WASHER .248-.250 WHITE | 18701 | 5 | | K-1507 |
| 17 | 14712 | WASHER .253-.255 GREEN | 18702 | 5 | | K-1507 |
| 17 | 14713 | WASHER .258-.260 ORANGE | 18703 | 5 | | K-1507 |
| 17 | 14714 | WASHER .263-.265 PURPLE | 18704 | 5 | | |
| 17 | 14715 | WASHER .268-.270 YELLOW | 18705 | 5 | | |
| 17 | 14716 | WASHER .273-.275 BLACK | 18706 | 5 | | |
| 18 | 14749 | SPACER | | 5 | | K-1507 |
| 20 | 16941 | 4TH GEAR-MAINSHAFT | | 1 | | |
| 21 | 16943 | 3RD GEAR-MAINSHAFT | | 1 | | |
| 22 | 14750 | SNAP RING | | 5 | | K-1064,K-1507,K-1861,K-2468,K-4125 |
| 23 | 16945 | 2ND GEAR-MAINSHAFT | | 1 | | |
| 24 | 16947 | 1ST GEAR-MAINSHAFT | | 1 | | |
| 25 | 16949 | REVERSE GEAR-MAINSHAFT | | 1 | | |
| 30 | S-1341 | MAINSHAFT ASSY | 16761,18729 | 1 | | |
| 31 | 62504 | ROLL PIN | | 1 | | S-1341 |
| 32 | 17109 | HEX (6-SIDED) KEY | | 1 | MUST USE MATCHING WASHERS | |

MISCELLANEOUS

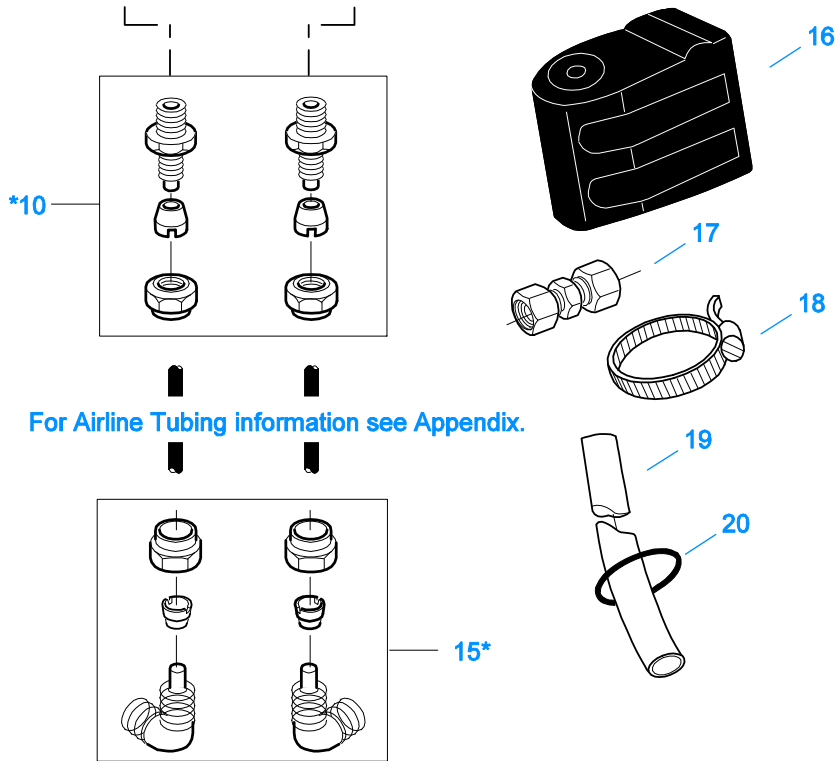
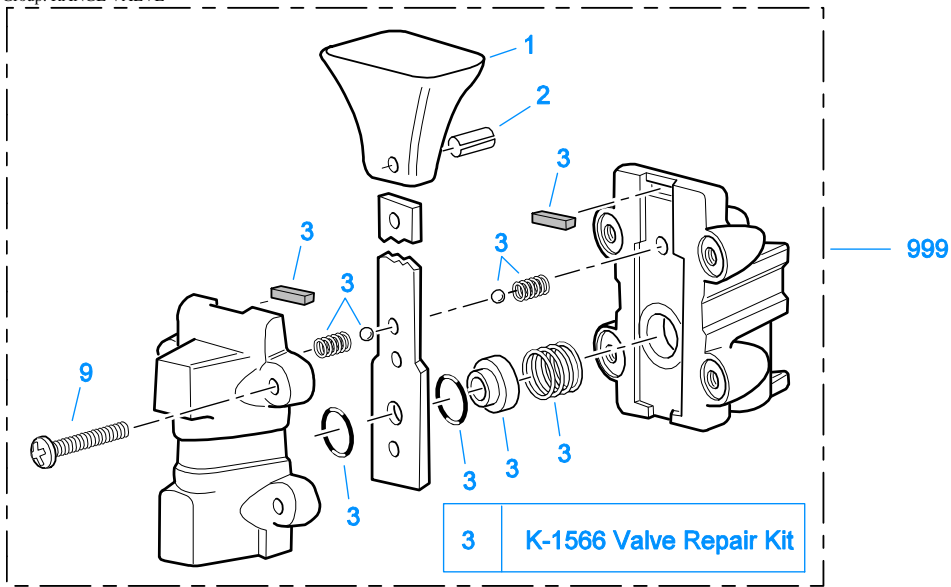
| Item | Current Part | Description | Replaced Part | Qty. | Notes | Kits/Assys Where Needed |
|-------|--------------|---------------------|---------------|------|----------------------------------|---|
| 18683 | | WARNING LABEL | | 1 | | |
| 19064 | | WARNING LABEL | | 1 | | |
| 20400 | | SHIFT DIAGRAM LABEL | 19301 | 1 | RT/RTX | |
| 20401 | | SHIFT DIAGRAM LABEL | 19302 ,88536 | 1 | RTO | |
| 71203 | | SILICONE LUBE | | 1 | 8 OZ (236.59 CC)-FLEET SIZE | |
| 71204 | | ADHESIVE SEALANT | | 1 | 0.5 CC (SINGLE APPLICATION SIZE) | K-1064 |
| 71205 | | SEALANT | | 1 | 2 CC (SINGLE APPLICATION SIZE) | K-1064,K-1702 |
| 71206 | | SILICONE LUBE | | 1 | 4 CC (SINGLE APPLICATION SIZE) | K-1431,K-1450,K-1566,K-1699,K-2428,K-2429 |



10462-4/92 Rng Cyl

RANGE CYLINDER

| Item | Current Part | Description | Replaced Part | Qty. | Notes | Kits/Assys Where Needed |
|------|--------------|---------------------|------------------|------|----------------|-------------------------|
| 1 | X-7-809 | BOLT | X 7 810 ,X 7 811 | 2 | 1/2"-20X1-3/4" | |
| 2 | 22823 | SHIFT YOKE | 16775 | 1 | | |
| 3 | 14347 | GASKET | | 1 | | K-1431,K-2199 |
| 4 | 16778 | AUXILIARY CYLINDER | | 1 | | K-1431 |
| 5 | X-8L-604 | CAPSCREW | | 8 | 3/8"-16X1-1/4" | |
| 6 | 14765 | -O- RING | | 1 | | K-1431,K-1450 |
| 7 | 17211 | NO LONGER AVAILABLE | | 1 | | |
| 8 | 14341 | PISTON | 23353 | 1 | | K-1431 |
| 9 | 14345 | -O- RING | | 1 | | K-1431,K-1450 |
| 10 | 14344 | -O- RING | | 1 | | K-1431,K-1450 |
| 11 | X-1-1010 | NUT | | 1 | 5/8"-18 | |
| 12 | 14349 | GASKET | | 1 | | K-1431,K-1450,K-2199 |
| 13 | 14799 | NO LONGER AVAILABLE | | 1 | | |



For Airline Tubing information see Appendix.

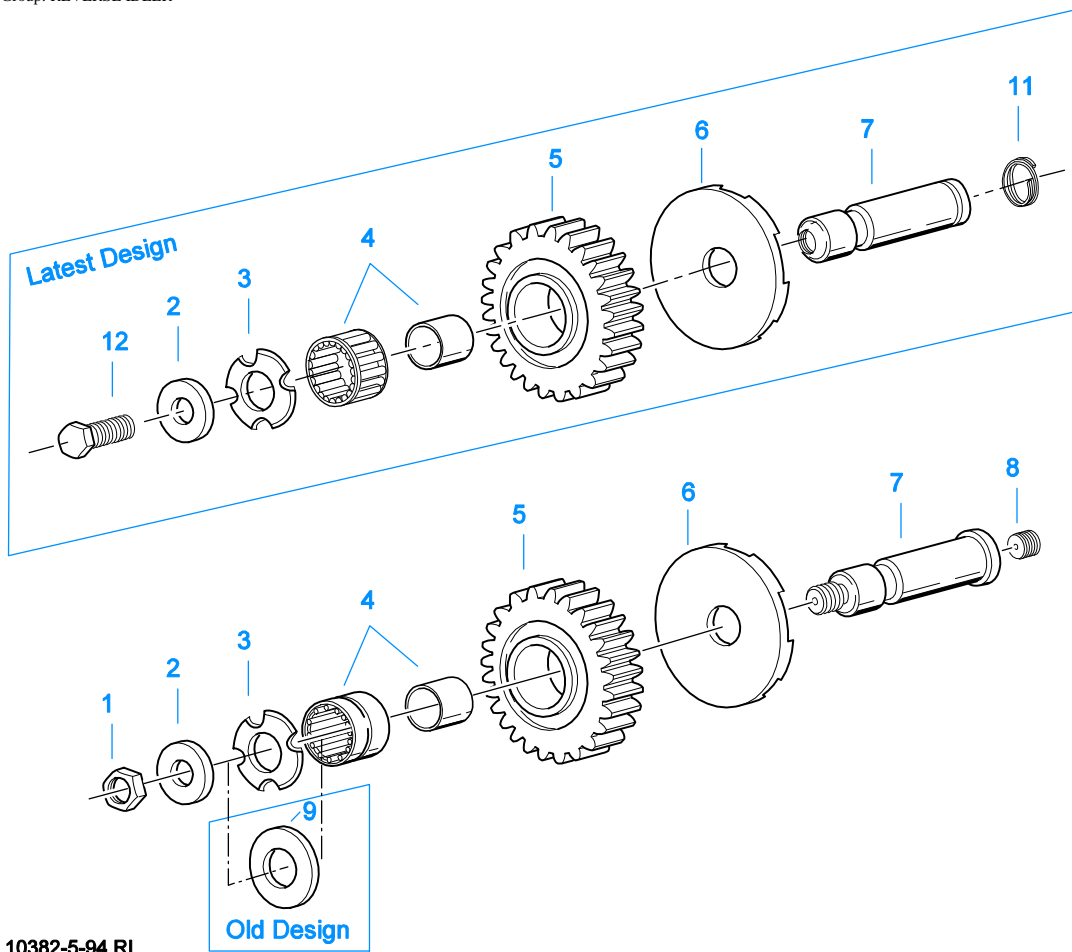
*For Connector and Elbow Assy component information see Appendix

10099-5/93 AV

RANGE VALVE

| Item | Current Part | Description | Replaced Part | Qty. | Notes | Kits/Assys Where Needed |
|------|--------------|------------------|---------------|------|-------------------------------|-------------------------|
| 1 | 15120 | KNOB | | 1 | | A-3546 |
| 2 | 62512 | ROLL PIN | | 1 | | A-3546 |
| 3 | K-1566 | VALVE REPAIR KIT | | 1 | FOR A-3546 VALVE | |
| 9 | X-13-214 | SCREW | | 4 | 8-32X3/4" | |
| 10 | 84002 | CONNECTOR ASSY | 82502 | 2 | 1/8" TUBE-1/8" NPTF | K-1064, K-1963 |
| 10 | 84004 | CONNECTOR ASSY | 82504 | 2 | 5/32" TUBE-1/8" NPTF | |
| 10 | 84006 | CONNECTOR ASSY | | 2 | "PUSH-TO-CONNECT" 5/32" TUBE- | K-2010 |

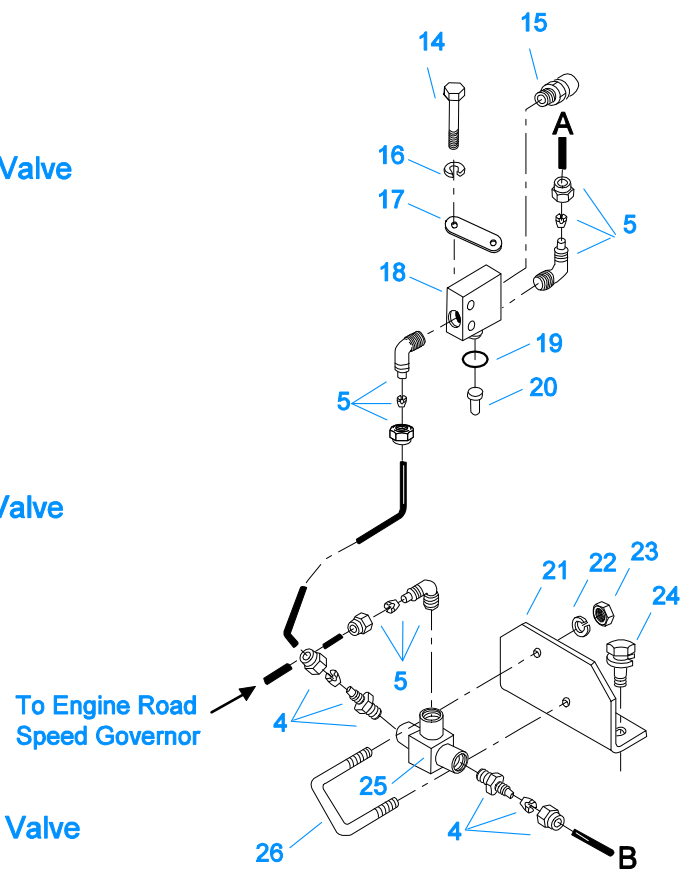
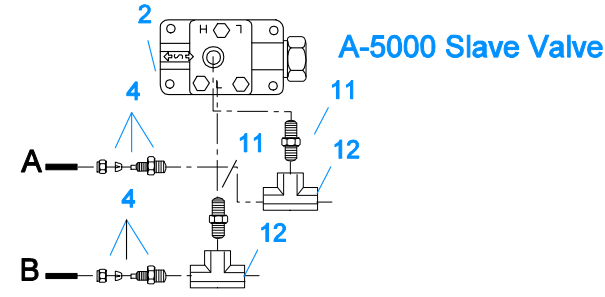
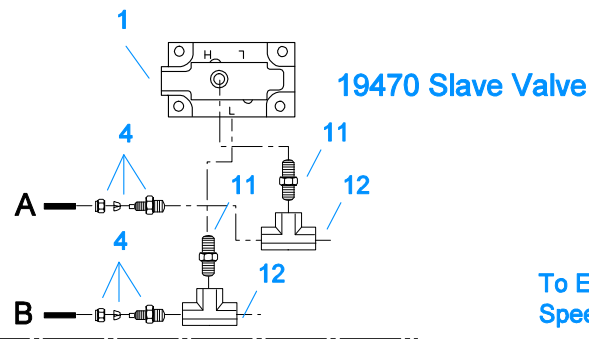
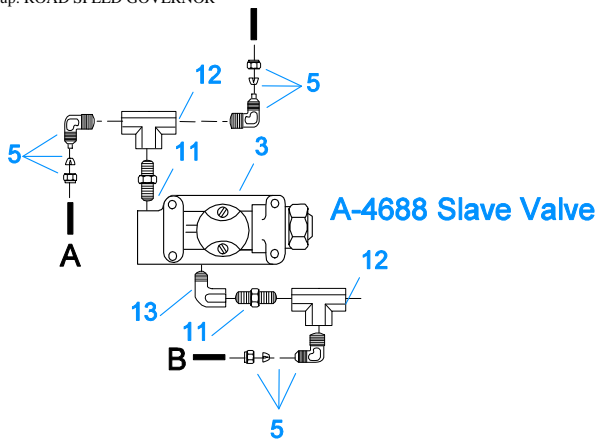
| Item | Current Part | Description | Replaced Part | Qty. | Notes | Kits/Assys Where Needed |
|------|--------------|------------------------|---------------------|------|--------------------------------------|-------------------------|
| 15 | 85001 | ELBOW ASSY | 84501 | 2 | 1/8"NPTF | |
| 15 | 85002 | ELBOW ASSY | 84502 | 2 | 5/32"TUBE-1/8"NPTF | K-1064,K-1963 |
| 15 | 85003 | ELBOW ASSY | | 2 | 1/8"TUBE-1/8"NPTF | K-2010 |
| | | | | | "PUSH-TO-CONNECT" 5/32"TUBE-1/8"NPTF | |
| 16 | 18905 | NO LONGER AVAILABLE | | 1 | | |
| 17 | 84101 | UNION ASSY | | 1 | 1/8" TUBING | |
| 17 | 84102 | UNION ASSY | | 1 | 5/32" TUBING | |
| 17 | 84103 | UNION ASSY | | 1 | "PUSH-TO-CONNECT" 5/32" TUBING | K-2010 |
| 18 | 14441 | CLAMP | 14465 | 1 | | |
| 19 | 80120 | SHEATHING (50 FT ROLL) | | 1 | 5/32" - BLACK 50' | |
| 20 | 13571 | -O- RING CLAMP | | 2 | | |
| 999 | A-3546 | RANGE VALVE ASSY | 18268 ,18269 ,18272 | 1 | | |



10382-5-94 RI

REVERSE IDLER

| Item | Current Part | Description | Replaced Part | Qty. | Notes | Kits/Assys Where Needed |
|------|--------------|---------------------|---------------|------|---------------|-------------------------|
| 1 | X-1-1008 | NUT | | 2 | 5/8"-18 | |
| 2 | 14283 | WASHER | | 2 | | K-3216 |
| 3 | 4302982 | WASHER | 14282 | 2 | | K-3216 |
| 4 | 14287 | BEARING | 4305020 | 2 | | K-1064,K-1861 |
| 5 | 16953 | IDLER GEAR | | 2 | | |
| 6 | 16404 | WASHER | | 2 | | K-3216 |
| 7 | K-3216 | NO LONGER AVAILABLE | 4302981 | 2 | | |
| 8 | 5202 | PLUG | | 2 | | |
| 9 | 14282 | NO LONGER AVAILABLE | | 2 | | |
| 11 | 4303336 | RETAINING RING | | 2 | | K-3216 |
| 12 | X-7-1008 | CAPSCREW | | 2 | 5/8"-18X1-1/4 | |

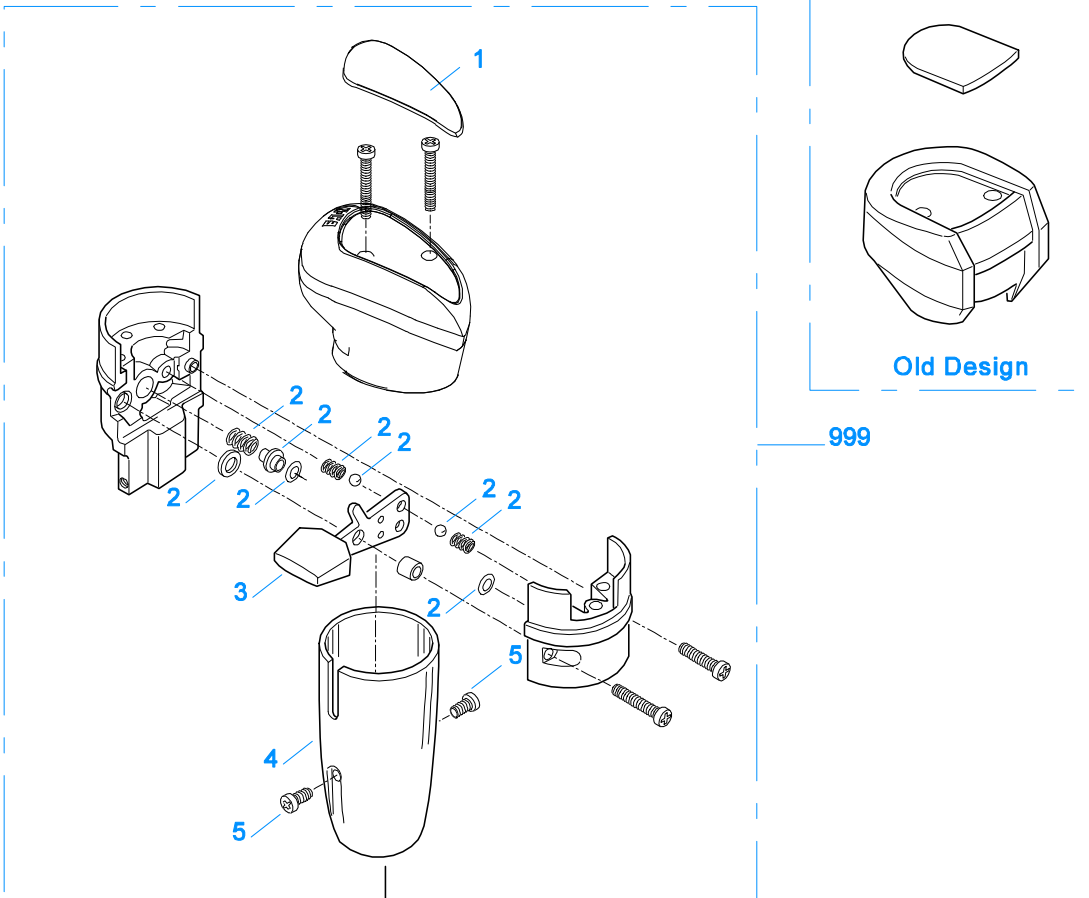


10501-6-94 HC/RSG

ROAD SPEED GOVERNOR

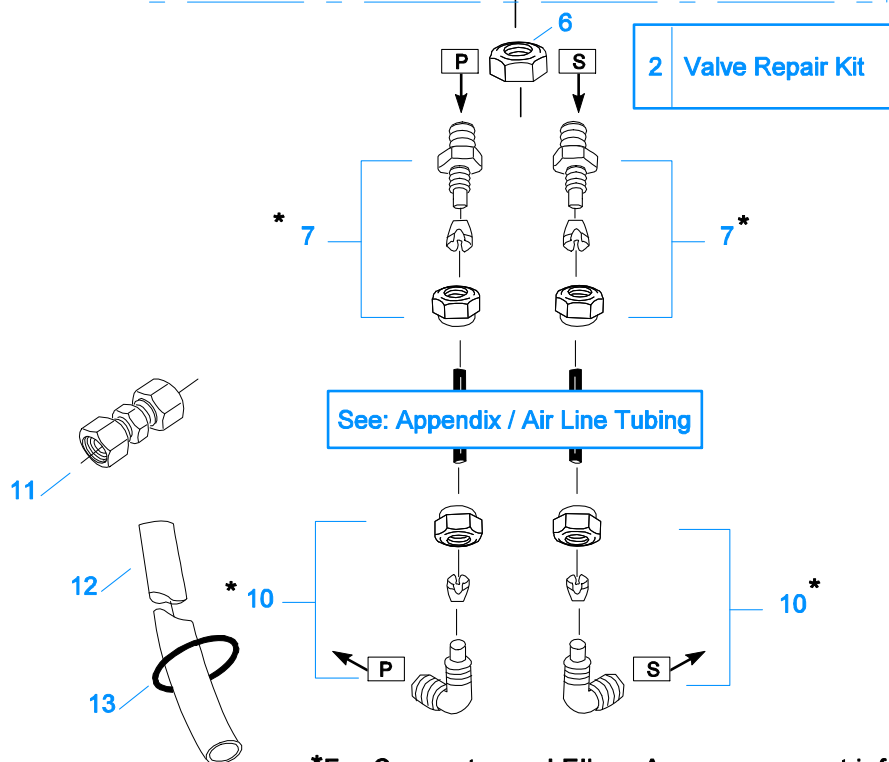
| Item | Current Part | Description | Replaced Part | Qty. | Notes | Kits/Assys Where Needed |
|------|--------------|-----------------------|------------------------|------|--|---|
| 1 | K-2424 | VALVE REPLACEMENT KIT | 19470 | 1 | | |
| 2 | A-5000 | SLAVE VALVE ASSY | 20850 | 1 | | K-1963,K-2424 |
| 3 | A-4688 | SLAVE VALVE ASSY | 15125 ,19464 ,A - 3991 | 1 | | |
| 4 | 84002 | CONNECTOR ASSY | 82502 | 4 | 1/8" TUBE-1/8" NPTF | K-1064,K-1963 |
| 4 | 84004 | CONNECTOR ASSY | 82504 | 4 | 5/32" TUBE-1/8" NPTF | |
| 4 | 84006 | CONNECTOR ASSY | | 4 | "PUSH-TO-CONNECT" 5/32" TUBE-1/8" NPTF | K-2010 |
| 5 | 85001 | ELBOW ASSY | 84501 | 6 | 5/32" TUBE-1/8" NPTF | |
| 5 | 85002 | ELBOW ASSY | 84502 | 6 | 1/8" TUBE-1/8" NPTF | K-1064,K-1963 |
| 5 | 85003 | ELBOW ASSY | | 6 | "PUSH-TO-CONNECT" 5/32" TUBE-1/8" NPTF | K-2010 |
| 11 | 12769 | NIPPLE | | 2 | 1/8" | K-1963 |
| 12 | 12881 | TEE | | 2 | 1/8" | K-1963 |
| 13 | 12845 | ELBOW | | 1 | 1/8" | K-1963 |
| 14 | X-8-434 | CAPSCREW | | 2 | 1/4"-20X2" | |
| 15 | 7935 | BREATHER | | 1 | | |
| 16 | X-3-400 | LOCKWASHER | | 2 | 1/4" | |
| 17 | 20199 | PLATE | 18724 | 1 | | S-1440,S-1441,S-1445,S-1446,S-1527,S-1528,S-1529,S-1531 |

| Item | Current Part | Description | Replaced Part | Qty. | Notes | Kits/Assys Where Needed |
|------|--------------|---------------------|---------------|------|-----------------|---|
| 18 | 18734 | VALVE | | 1 | | |
| 19 | 18656 | NO LONGER AVAILABLE | | 1 | | |
| 20 | 15899 | PIN | | 1 | RT-RTF-RTO-RTOF | S-1440,S-1441,S-1445,S-1446,S-1527,S-1528,S-1529,S-1531 |
| 20 | 20119 | PIN | | 1 | RTX-RTXF | |
| 21 | 18685 | NO LONGER AVAILABLE | | 1 | | |
| 22 | X-3-305 | LOCKWASHER | | 2 | #10 | |
| 23 | X-1-250 | NO LONGER AVAILABLE | | 2 | #10-32 | |
| 24 | X-8L-602 | CAPSCREW | | 2 | 3/8"-16X1-1/2" | |
| 25 | 18675 | VALVE | | 1 | | |
| 26 | 18684 | NO LONGER AVAILABLE | | 1 | | |



999

Old Design

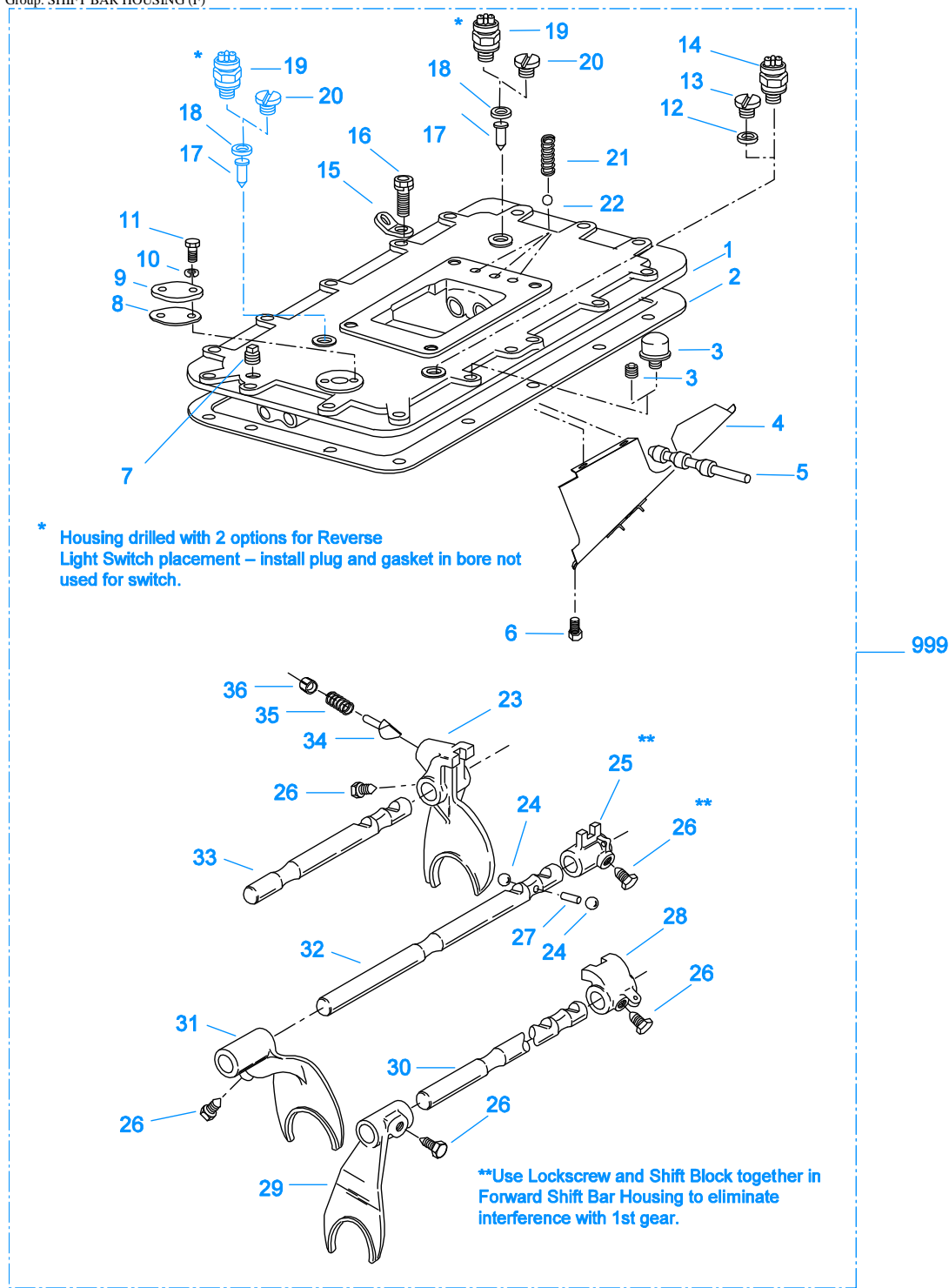


*For Connector and Elbow Assy component information see Appendix.

10100A-3-97 RRV-2

ROADRANGER VALVE

| Item | Current Part | Description | Replaced Part | Qty. | Notes | Kits/Assys Where Needed |
|------|--------------|-------------------------|-------------------|------|---|-------------------------|
| 1 | 20107 | MEDALLION, LOGO | | 1 | (OLD DESIGN) FULLER LOGO ONLY | |
| 1 | 5586100 | MEDALLION, LOGO | | 1 | (LATEST DESIGN) FULLER LOGO ONLY | A-6909 |
| 1 | 5586106 | SHIFT DIAGRAM MEDALLION | | 1 | RT | S-2543 |
| 1 | 5586107 | SHIFT DIAGRAM MEDALLION | | 1 | RTO | S-2544 |
| 2 | K-1921 | MASTER VALVE REPAIR KIT | | 1 | FOR A-6909 & A-5010 VALVES | |
| 3 | 20495 | LEVER | | 1 | | A-6909 |
| 4 | 20112 | COVER | | 1 | | A-6909 |
| 5 | X-8-213 | SCREW | X 8 202 | 2 | 8-32X3/8" | |
| 6 | X-9-802 | NUT | | 1 | 1/2"-13 | |
| 7 | 84001 | CONNECTOR ASSY | 82501 | 2 | 1/8" TUBE-1/16" NPTF | |
| 7 | 84003 | CONNECTOR ASSY | 82503 | 2 | 5/32" TUBE-1/16" NPTF | |
| 7 | 84005 | CONNECTOR ASSY | | 2 | "PUSH-TO-CONNECT" 5/32" TUBE-1/16" NPTF | K-2010 |
| 10 | 85001 | ELBOW ASSY | 84501 | 2 | 5/32" TUBE-1/8" NPTF | |
| 10 | 85002 | ELBOW ASSY | 84502 | 2 | 1/8" TUBE-1/8" NPTF | K-1064, K-1963 |
| 10 | 85003 | ELBOW ASSY | | 2 | "PUSH-TO-CONNECT" 5/32" TUBE-1/8" NPTF | K-2010 |
| 11 | 84101 | UNION ASSY | | 1 | 1/8" TUBING | |
| 11 | 84102 | UNION ASSY | | 1 | 5/32" TUBING | |
| 11 | 84103 | UNION ASSY | | 1 | "PUSH-TO-CONNECT" 5/32" TUBING | K-2010 |
| 12 | 80120 | SHEATHING (50 FT ROLL) | | 1 | 5/32" - BLACK 50' | |
| 13 | 13571 | -O- RING CLAMP | | 1 | | |
| 999 | A-6909 | ROADRANGER VALVE ASSY | A - 5010 A - 5310 | 1 | STANDARD-W/LOGO | K-2010 |
| 999 | S-2543 | ROADRANGER VALVE ASSY | A - 5043 | 1 | RT - W/SHIFT DIAGRAM MEDALLION | |
| 999 | S-2544 | ROADRANGER VALVE ASSY | A - 5045 | 1 | RTO - W/SHIFT DIAGRAM MEDALLION | |



10230-1/92 Forward

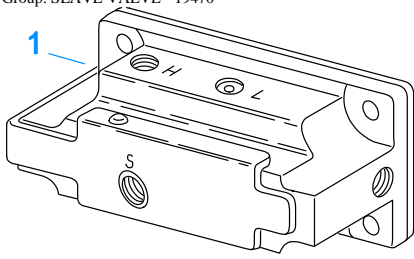
SHIFT BAR HOUSING (F)

| Item | Current Part | Description | Replaced Part | Qty. | Notes | Kits/Assys Where Needed |
|------|--------------|-------------------|--|------|--------------|-------------------------|
| 1 | S-1441 | SHIFT BAR HSG (F) | 15891 ,16340 ,16564 .17114 ,17128 17181 .17218 ,17492 ,17577 .17900 18203 ,18436 .18642 ,18646 ,18886 19159 ,19450 ,19451 | 1 | HOUSING ONLY | |

| Item | Current Part | Description | Replaced Part | Qty. | Notes | Kits/Assys Where Needed |
|------|--------------|----------------------|---|------|--|---|
| | | | ,19456 ,19457 19458 ,19717 ,19956 ,20072 ,20212 20213 ,21134 ,22956 ,S - 1106 ,S - 1361 S - 1370 ,S - 1374 ,S - 1375 ,S - 1378 | | | |
| 2 | 4302676 | GASKET | 14918 | 1 | | K-1702,K-2199,S-1527,S-1528,S-1529,S-1531 |
| 3 | 4304602 | BREATHER | 23605 | 1 | 1/4" NPT | K-1702 |
| 3 | X-12-404 | PIPE PLUG | | 1 | 1/4" NPT | |
| 4 | 20070 | OIL TROUGH | | 1 | | S-1527,S-1528,S-1529,S-1531 |
| 5 | 20332 | AIR VALVE SHAFT | 17177 | 1 | | S-1527,S-1528,S-1529,S-1531 |
| 6 | X-8-423 | CAPSCREW | | 2 | 1/4"-20X1/2" | |
| 7 | X-12-603 | PIPE PLUG | X12 602 | 1 | 3/8" NPT | |
| 8 | 20209 | GASKET | | 1 | | S-1440,S-1441,S-1445,S-1446,S-1527,S-1528,S-1529,S-1531 |
| 9 | 20199 | PLATE | 18724 | 1 | | S-1440,S-1441,S-1445,S-1446,S-1527,S-1528,S-1529,S-1531 |
| 10 | X-3-400 | LOCKWASHER | | 2 | 1/4" | |
| 11 | X-8-406 | CAPSCREW | | 2 | 1/4"-20X3/4" | |
| 12 | 17179 | GASKET | | 1 | | S-1440,S-1441,S-1445,S-1446,S-1527,S-1528,S-1529,S-1531 |
| 13 | 4303655 | PLUG | 17178 | 1 | | S-1440,S-1441,S-1445,S-1446,S-1527,S-1528,S-1529,S-1531 |
| 14 | 22941 | NEUTRAL LIGHT SWITCH | 12639 | 1 | SWITCH NORMALLY CLOSED | |
| 15 | 20815 | LIFTING EYE | 17105 | 2 | | |
| 16 | X-8L-602 | CAPSCREW | | 2 | 3/8"-16X1-1/2" USE W/20815 LIFTING EYES | |
| 16 | X-8L-604 | CAPSCREW | | 16 | 3/8"-16X1-1/4"- OR USE 14 PCS OF X-8L-604 WITH 2 PCS OF X-8L-602 | |
| 17 | 15899 | PIN | | 1 | | S-1440,S-1441,S-1445,S-1446,S-1527,S-1528,S-1529,S-1531 |
| 18 | 15900 | GASKET | | 1 | | S-1440,S-1441,S-1445,S-1446,S-1527,S-1528,S-1529,S-1531 |
| 19 | 22940 | REVERSE LIGHT SWITCH | 16830 | 1 | SWITCH NORMALLY OPEN | |
| 20 | 4303656 | PLUG | 15917 | 1 | | S-1440,S-1441,S-1445,S-1446,S-1527,S-1528,S-1529,S-1531 |
| 21 | 15918 | SPRING | | 3 | | K-1064,K-1507,S-1527,S-1528,S-1529,S-1531 |
| 22 | X-14-800 | STEEL BALL | | 3 | 1/2" | |
| 23 | 16338 | SHIFT YOKE | | 1 | REVERSE/LO | S-1528,S-1529 |
| 24 | X-14-1200 | STEEL BALL | | 2 | 3/4" | |
| 25 | 15770 | SHIFT BLOCK | | 1 | 1ST/2ND | S-1528 |
| 26 | 22943 | LOCKSCREW | | 1 | USE W/15770 SHIFT BLOCK | S-1528,S-1529 |
| 26 | 3220 | LOCKSCREW | | 4 | | S-1527,S-1528,S-1529,S-1531 |
| 27 | 1634 | INTERLOCK PIN | | 1 | | K-1507,S-1527,S-1528,S-1529,S-1531 |
| 28 | 14912 | SHIFT BLOCK | | 1 | 3RD/DIRECT | S-1529 |
| 29 | 16136 | SHIFT YOKE | | 1 | 3RD/DIRECT | S-1529,S-1531 |
| 30 | 14909 | YOKE BAR | | 1 | 3RD/DIRECT | S-1529 |
| 30 | 18641 | YOKE BAR | | 1 | RTF-3RD/DIRECT - W/ROAD SPEED GOVERNOR | |
| 30 | 19068 | NO LONGER AVAILABLE | | 1 | RTOF-DIRECT - W/ROAD SPEED GOVERNOR | |
| 31 | 16135 | SHIFT YOKE | | 1 | 1ST/2ND | S-1529,S-1531 |
| 32 | 14910 | YOKE BAR | | 1 | 1ST/2ND | S-1529 |
| 33 | 14908 | YOKE BAR | | 1 | REVERSE/LO | S-1529 |
| 34 | 10019 | PLUNGER | | 1 | | S-1219,S-1527,S-1528,S-1529,S-1531 |
| 35 | 6392 | SPRING | | 1 | | K-1507,S-1219,S-1527,S-1528,S-1529,S- |

| Item | Current Part | Description | Replaced Part | Qty. | Notes | Kits/Assys Where Needed |
|------|--------------|------------------------|---------------|------|----------|--|
| 36 | 8968 | PLUG | | 1 | | 1531 S-1219,S-1527,S-1528,S-1529,S-1531 |
| 999 | S-1529 | SHIFT BAR HSG ASSY (F) | 20213 ,22956 | 1 | COMPLETE | |

Group: SLAVE VALVE - 19470

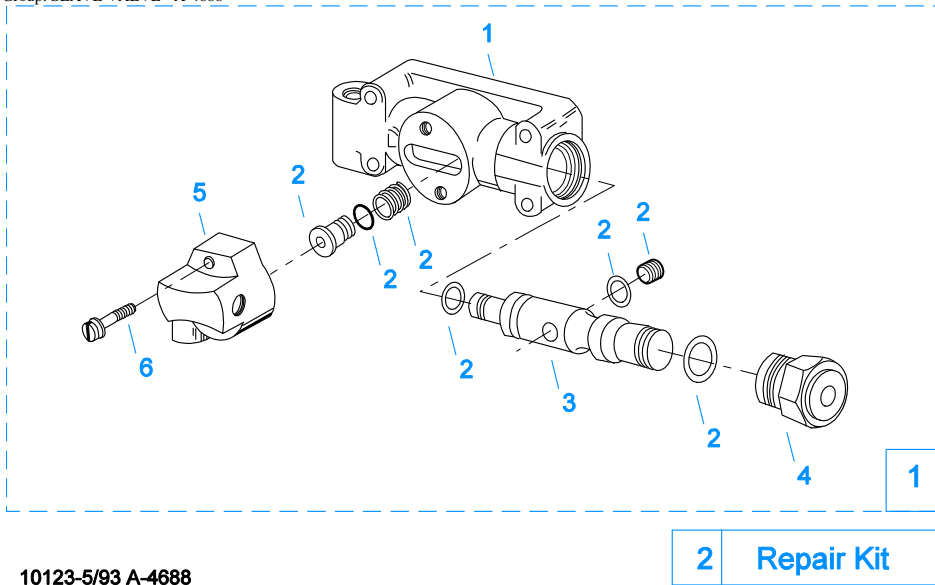


10121-1/92 19470 SV

SLAVE VALVE - 19470

| Item | Current Part | Description | Replaced Part | Qty. | Notes | Kits/Assys Where Needed |
|------|--------------|-----------------------|---------------|------|-------|-------------------------|
| 1 | K-2424 | VALVE REPLACEMENT KIT | 19470 | 1 | | |

Group: SLAVE VALVE - A-4688



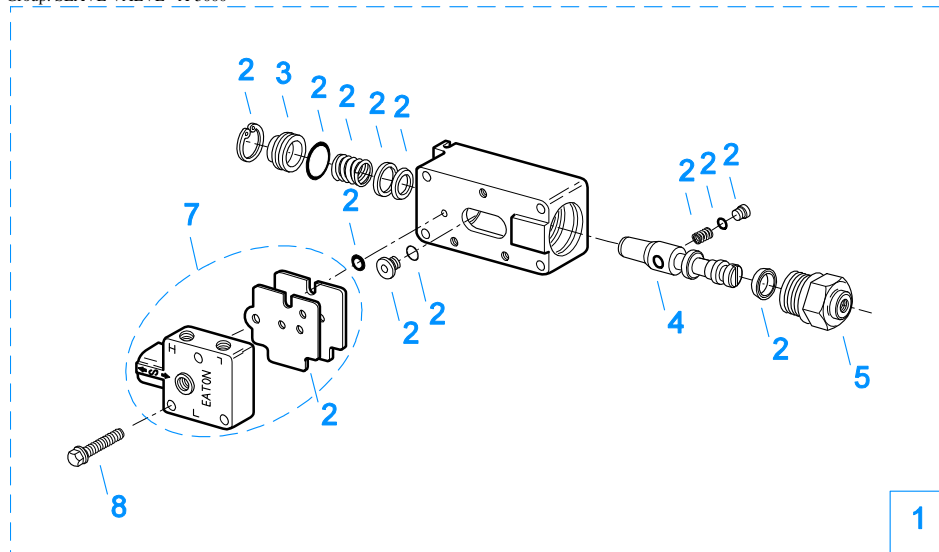
10123-5/93 A-4688

2 Repair Kit

SLAVE VALVE - A-4688

| Item | Current Part | Description | Replaced Part | Qty. | Notes | Kits/Assys Where Needed |
|------|--------------|------------------------|------------------------|------|------------------|-------------------------|
| 1 | A-4688 | SLAVE VALVE ASSY | 15125 ,19464 ,A - 3991 | 1 | | |
| 2 | K-1699 | REPAIR KIT-SLAVE VALVE | | 1 | FOR A-4688 VALVE | |
| 3 | 19463 | PISTON | 15126 | 1 | | A-4688 |
| 4 | 20849 | CAP | 15131 | 1 | | A-4688,A-5000 |
| 5 | K-1613 | CAP REPLACEMENT KIT | 16429 ,18707 | 1 | FOR A-4688 VALVE | |
| 6 | X-8S-401 | CAPSCREW | | 2 | 1/4"-20X1-1/8" | |

Group: SLAVE VALVE - A-5000



2 Repair Kit

10120-10-97 A-5000 SV

SLAVE VALVE - A-5000

| Item | Current Part | Description | Replaced Part | Qty. | Notes | Kits/Assys Where Needed |
|------|--------------|------------------------|---------------|------|------------------|-------------------------|
| 1 | A-5000 | SLAVE VALVE ASSY | 20850 | 1 | | K-1963,K-2424 |
| 2 | K-1935 | REPAIR KIT-SLAVE VALVE | | 1 | FOR A-5000 VALVE | |
| 3 | 20855 | PLUG | | 1 | | A-5000 |
| 4 | 20854 | PISTON | | 1 | | A-5000 |
| 5 | 20849 | CAP | 15131 | 1 | | A-4688,A-5000 |
| 7 | S-1516 | CAP ASSY | 20851 ,20853 | 1 | | |
| 8 | X-8C-413 | CAPSCREW | | 3 | 1/4"-20X1-1/2" | |

