



Eaton Fuller RTF-8908LL Transmission Parts Manual

This is Eaton Fuller RTF-8908LL Transmission parts manual brought to you by Pro Gear and Transmission to assist you identifying the parts for your Eaton / Fuller transmission unit.

If you need any assistance identifying the correct Eaton / Fuller unit for your truck and equipment, contact your Eaton replacement parts specialists at Pro Gear and Transmission.

Pro Gear stocks every part for your Eaton transmission including: Valve Assemblies, Synchronizers, Yoke Assemblies, O-Ring Kits, Drive Gears, Gaskets, Bearing and Seal Kits, and much more.

Pro Gear and Transmission has same day shipping and thousands of products in stock and ready to ship internationally for your next project.

For parts or service contact the Eaton transmission specialists at Pro Gear & Transmission, Inc.

 CALL US

 EMAIL US

 VISIT MODEL PAGE

 VISIT ONLINE STORE



Roadranger®

More time on the road®

Illustrated Parts List

RTF-8908LL
July 2011

Contents

| | |
|---|----|
| How To Use The Illustrated Parts List | 3 |
| AUXILIARY DRIVE GEAR..... | 4 |
| CASE (AUX) | 5 |
| CASE (FRONT) | 7 |
| COMBINATION CYLINDER | 9 |
| COUNTERSHAFT & BRGS(AUX)..... | 10 |
| COUNTERSHAFT ASSY | 11 |
| FILTER REGULATOR..... | 12 |
| H & C W/A-5000 VALVE..... | 13 |
| INPUT SHAFT & DRIVE GEAR | 14 |
| INTEGRAL OIL PUMP | 15 |
| ISOLATORS | 17 |
| KITS & ASSEMBLIES | 18 |
| LEVERS/HOUSINGS | 20 |
| MAINSHAFT & SYNCHRO(AUX)..... | 22 |
| MAINSHAFT ASSY | 23 |
| MISCELLANEOUS | 24 |
| OIL COOLER..... | 25 |
| REVERSE IDLER..... | 26 |
| ROADRANGER VALVE | 28 |
| SHIFT BAR HOUSING (RTF)..... | 29 |
| SLAVE VALVE - A-5000..... | 31 |

How To Use The Illustrated Parts List

The information contained in this document is subject to frequent updates. Therefore, for the latest information available, please visit the interactive Electronic Parts Catalog at www.roadranger.com/epc.

Model Designation or Nomenclature

- For information regarding Model Designation and Nomenclature, visit www.roadranger.com.

Kits and Assemblies (K/A's)

- Kits and Assemblies contain groups of individual or assembled parts developed for optimal replacement or repair of a service problem.
- Kits and Assemblies are shown with applicable parts groupings in the parts listings.

Identifying Kits and Assemblies

A- Part numbers beginning with the letter 'A' are pre-assembled Production Assemblies

K- Part numbers beginning with the letter 'K' are kits that are not assembled

S- Part numbers beginning with the letter 'S' are pre-assembled Service Assemblies

- Note: Some Production Assemblies do not begin with a letter prefix (Midrange only).

Illustrations

- Illustrations show parts in assembly groups.
- Item numbers on illustrations correspond with parts listings on pages adjacent to the illustration.
- Notes are included on illustrations where additional information is needed.

Parts Listing

Parts listings are defined by parts groupings and are broken down by service assemblies. Parts listings identify a part for servicing with the following categories

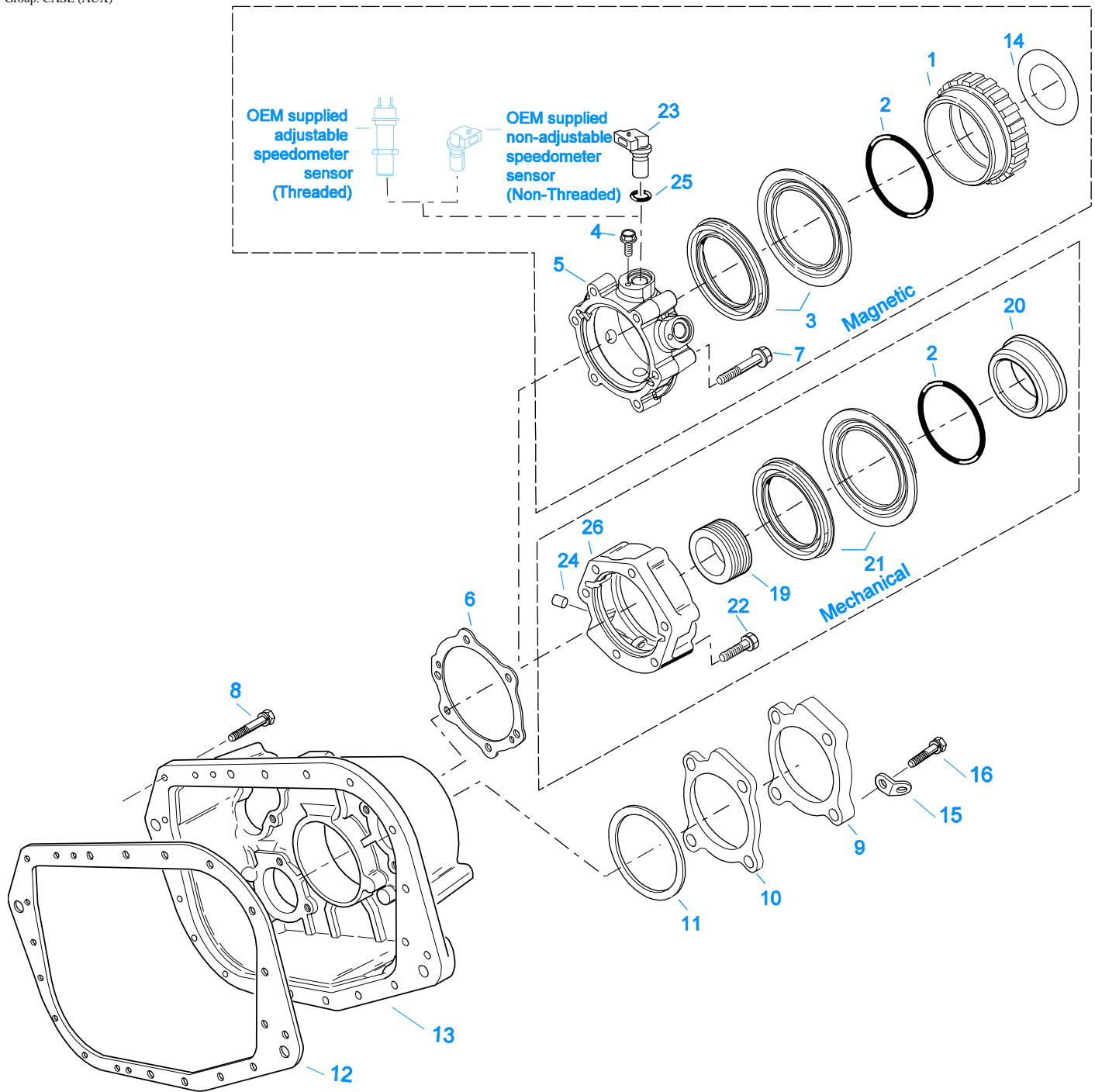
- **Item Number** - corresponding with numbers on illustrations for part identification.
- **Current Part** - identifies part as it is available for service.
- **Description** - specifies part name or description.
- **Replaced Part** - quantity quantity required for assembly.
- **Quantity** - defines unique characteristics or requirements.
- **Notes** - indicates Kits or Assemblies that contain a particular part.
- **Kits/Assy's Where Used**



10480-12/92 Aux DG

AUXILIARY DRIVE GEAR

| Item | Current Part | Description | Replaced Part | Qty. | Notes | Kits/Assys Where Needed |
|------|--------------|----------------------|-----------------|------|------------|-------------------------|
| 1 | 16763 | SNAP RING | | 2 | | K-3260,K-3272,K-3273 |
| 2 | 21320 | SNAP RING RETAINER | | 1 | | |
| 3 | 16628 | SNAP RING | | 1 | | K-3260 |
| 4 | 5566507-BOX | BEARING | 5566504,5566507 | 1 | | K-3272,K-3273 |
| 5 | 16138 | BEARING RETAINER | | 1 | | |
| 6 | X-8-645 | CAPSCREW | X 8 612 | 6 | 3/8"-16X1" | |
| 7 | 21322 | AUXILIARY DRIVE GEAR | | 1 | | |

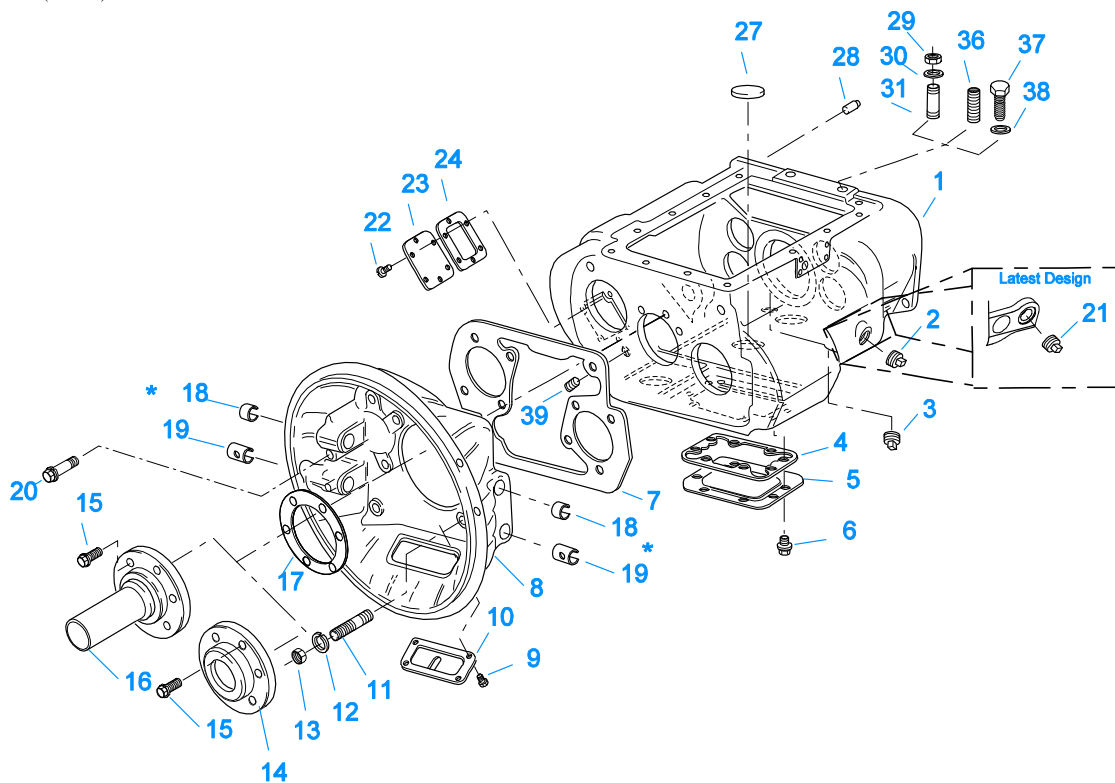


10419-2-97

CASE (AUX)

| Item | Current Part | Description | Replaced Part | Qty. | Notes | Kits/Assys Where Needed |
|------|--------------|--------------------------|------------------------------------|------|--|---------------------------------------|
| 1 | S-2501 | SPEEDO ROTOR ASSY | 4302242 | 1 | MAGNETIC | |
| 2 | 5568511 | -O- RING | | 1 | | K-2918,S-2501,S-2503,S-2712,S-2809 |
| 3 | K-2918 | OIL SEAL KIT | 4302322 4302323 | 1 | "FOR MAGNETIC COVER" | K-3272,K-3273 |
| 4 | X-8-0801M | CAPSCREW | | 2 | M8 X 1.25 X 12MM | |
| 5 | S-2809 | REAR BEARING COVER ASSY | 4302332 ,4303872 ,4304652 ,4305830 | 1 | PUSH-IN/THREAD-IN MAGNETIC PICK-UP | |
| 6 | 1009551 | GASKET - RED EDGE MOLDED | | 1 | RED EDGE MOLDED GASKET - UNCOMPRESSED THICKNESS .043 - | K-2061,K-2262,K-2918,S-2502,S-2809,S- |

| Item | Current Part | Description | Replaced Part | Qty. | Notes | Kits/Assys Where Needed |
|------|--------------|--------------------------------|---------------------|------|---|-------------------------|
| | | | | | .051 - NOT INTERCHANGEABLE WITH ANY OTHER GASKET | 2859 |
| 6 | 4302247 | GASKET - PURPLE EDGE MOLDED | | 1 | NON EDGE MOLDED GASKET - UNCOMPRESSED THICKNESS - .013 - .018 - NOT INTERCHANGABLE WITH ANY OTHER GASKET | K-2061,K-2262,K-2918 |
| 7 | X-8L-611 | CAPSCREW | | 4 | 3/8"-16X3-1/4" | |
| 7 | X-8L-614 | CAPSCREW | | 2 | 3/8"-16X2" | |
| 7 | X-8L-614 | CAPSCREW | | 6 | 3/8"-16X2" USE W/4303872 RBC | |
| 8 | X-8L-602 | CAPSCREW | | 17 | 3/8"-16X1-1/2" | |
| 8 | X-8L-614 | CAPSCREW | | 2 | 3/8"-16X2" | |
| 9 | 4302320 | COVER | 21346 | 2 | | S-2712 |
| 10 | 4305978 | GASKET | 4302246 | 2 | | K-2061,S-2712 |
| 11 | K-2805 | SHIM KIT | 21452 K - 2106 | 1 | | K-3272,K-3273,S-2712 |
| 12 | 14335 | GASKET | | 1 | | K-2061,S-2712 |
| 13 | 4303353 | REAR HOUSING | 4303354 | 1 | | |
| 14 | 4304653 | SHIELD | | 1 | | S-2809 |
| 15 | 20815 | LIFTING EYE | 17105 | 2 | | S-2712 |
| 16 | X-8L-604 | CAPSCREW | | 8 | 3/8"-16X1-1/4" | |
| 19 | 86104 | SPEEDO DRIVE GEAR | | 1 | | |
| 20 | S-2503 | SPEEDO SPACER ASSY | 4302590 | 1 | MECHANICAL | |
| 21 | K-2262 | OIL SEAL W/SLINGER | 19109 ,20807 ,20808 | 1 | "FOR MECHANICAL COVER" | |
| 22 | X-8L-616 | CAPSCREW | X 8 616 | 6 | 3/8"-16X2-3/4" | |
| 23 | K-3454 | SPEED SENSOR KIT | A - 6398 ,A - 6724 | 1 | SINGLE PICK-UP (2 PIN) | |
| 23 | K-3455 | SPEED SENSOR KIT, DUAL | A - 7046 ,A - 7518 | 1 | DUAL PICK-UP (4 PIN) | |
| 24 | 7992 | BUSHING | | 1 | | S-2502,S-2859 |
| 25 | 14142 | -O- RING | | 1 | | |
| 26 | S-2502 | REAR BRG COVER ASSY | 4303604 ,4305827 | 1 | MECHANICAL - 4:00 OPENING | |
| 26 | S-2859 | REAR BRG COVER ASSY | 4302732 ,4305826 | 1 | MECHANICAL - 6:00 OPENING | |



10300-6-92 Iron/Alum Hsg

* Bushing quantity requirements: #1 Housing – Upper bore use 4 #12815 / Lower bore use 2 #8677.

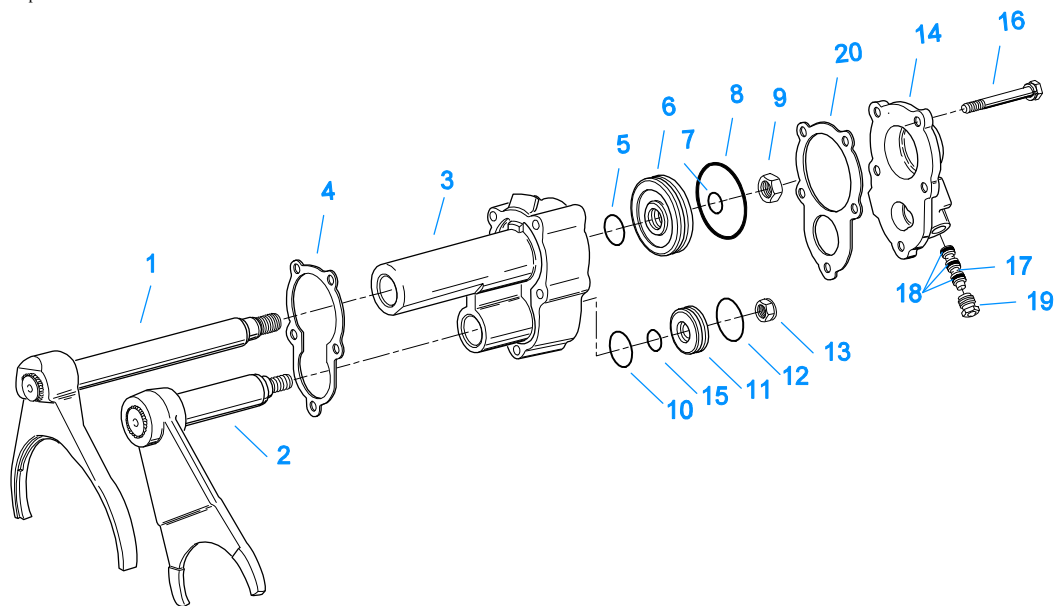
#2 Housing – Upper bore use 2 #12815 and 1 #8677 / Lower bore use 2 #8677.

Note: Some part requirements are specific to #1 or #2 Aluminum or Iron Clutch Housings and Push or Pull type Clutch.

CASE (FRONT)

| Item | Current Part | Description | Replaced Part | Qty. | Notes | Kits/Assys Where Needed |
|------|--------------|-----------------------|--|------|--|-------------------------|
| 1 | S-1545 | CASE ASSY | 21528 | 1 | FOR USE W/INTEGRAL PUMP | |
| 1 | S-1549 | CASE ASSY | 21318 | 1 | | |
| 2 | X-12-2007 | PIPE PLUG | X12 2006 | 1 | | |
| 3 | X-12-1207 | PIPE PLUG | X12 1202 ,X12 1206 | 1 | 3/4" MAGNETIC | |
| 4 | 4305310 | GASKET | 4302810 | 1 | | K-2061 |
| 5 | 4302809 | PTO COVER | 16596 ,4300571 | 1 | | |
| 6 | X-8-725 | CAPSCREW | X 8 724 | 8 | 7/16"-14X7/8" | |
| 7 | 4306584 | CLUTCH HOUSING GASKET | 4304815,4305668 | 1 | | K-2061 |
| 8 | A-3713 | CLUTCH HOUSING ASSY | A - 3700 | 1 | #1 PUSH-PULL IRON | |
| 8 | A-6064 | CLUTCH HOUSING ASSY | A - 4342 ,A - 4770 ,A - 6062 ,A - 6063 ,A - 6065 | 1 | #1 PUSH-PULL ALUM. | |
| 9 | 239614 | SCREW | X-8L-509 | 4 | 5/16-18X.81 QUANTITY DEPENDENT ON DESIGN | |
| 10 | 14506 | HAND HOLE COVER | | 1 | #2 PUSH | |
| 10 | 14507 | HAND HOLE COVER | | 1 | #2 PULL | |
| 10 | 4305230 | HAND HOLE COVER | 11453 | 1 | #1 PULL | |
| 10 | 4305231 | HAND HOLE COVER | 1565 | 1 | #1 PUSH | |
| 11 | 4306583 | STUD | 5966 | 6 | | |
| 12 | X-10-1005 | WASHER | X 3 1000 ,X10 1000 ,X10 1004 X-1-1005 | 6 | 1.23 X 6.60 | |
| 13 | X-1-1012 | HEX NUT | | 6 | .625-18 | |
| 14 | 20550 | FRONT BEARING COVER | | 1 | 2" PULL | K-2468,K-4125 |
| 15 | X-8L-604 | CAPSCREW | | 6 | 3/8"-16X1-1/4" | |
| 16 | 20549 | FRONT BEARING COVER | | 1 | 2" PUSH | |
| 17 | 14311 | GASKET | | 1 | | K-2061 |
| 18 | 12815 | BUSHING | | 4 | FOR #1 HOUSING UPPER | A-3713,A-6064,K-2468 |
| 18 | 12815 | BUSHING | | 2 | FOR #2 HOUSING UPPER | A-3713,A-6064,K-2468 |
| 18 | 8677 | BUSHING | | 1 | FOR #2 HOUSING UPPER | A-3713,A-6064 |
| 19 | 8677 | BUSHING | | 2 | FOR #1 AND #2 HOUSING LOWER | A-3713,A-6064 |

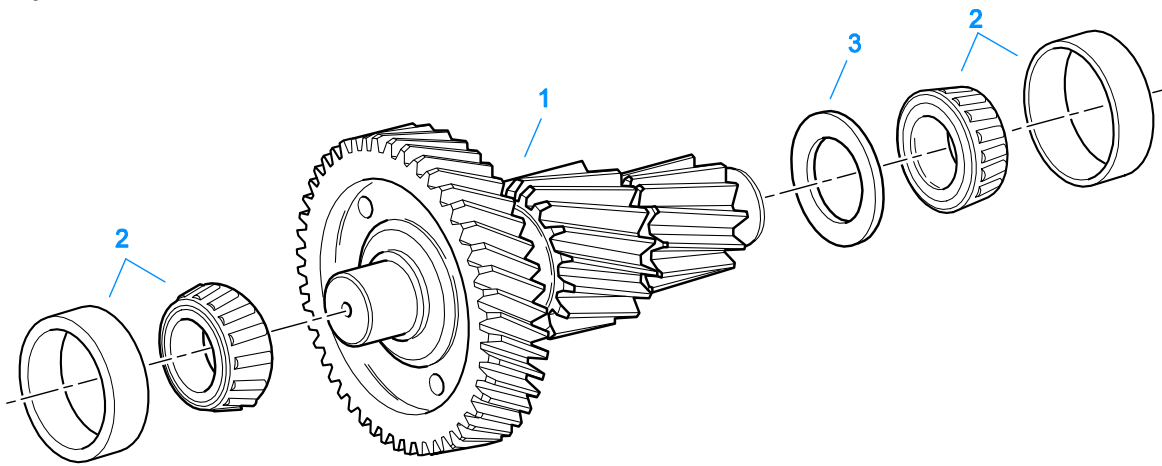
| Item | Current Part | Description | Replaced Part | Qty. | Notes | Kits/Assys Where Needed |
|------|--------------|----------------------------|------------------------------|------|---|-------------------------|
| 20 | X-8C-830 | HEX HEAD SCREW/WASHER ASSY | X-8C-826 | 4 | .500-13 X 1.490, USE 2 PCS FOR IRON HOUSING, USE 4 PCS FOR ALUMINUM HOUSING | |
| 20 | X-8C-831 | HEX HEAD SCREW/WASHER ASSY | X-8C-822 | 2 | .500-13 X 3.460, FOR IRON HOUSING | |
| 21 | 4304023 | PLUG | 4303747 | 1 | 1-1/16" MAGNETIC, O-RING INCLUDED | S-1545,S-1549 |
| 22 | X-8-686 | CAPSCREW | | 6 | 3/8"-16X3/4" | |
| 23 | 14575 | PTO COVER | 4302254 | 1 | | |
| 24 | 4305309 | GASKET | 1684 | 1 | | K-2061 |
| 27 | 14373 | MAGNET | | 3 | | S-1545,S-1549 |
| 28 | 18128 | PIN | | 2 | | |
| 29 | X-1-1012 | HEX NUT | | 2 | .625-18 | |
| 30 | X-10-1005 | WASHER | X 3 1000 ,X10 1000 ,X10 1004 | 2 | 1.23 X 6.60 | |
| 31 | 14554 | STUD | 1632 ,6579 | 2 | 5/8" X 2-3/16" | |
| 36 | 23104 | PLUG | 1712 | 2 | | |
| 37 | X-8-1005 | CAPSCREW | | 2 | 5/8"-11X1-1/4" | |
| 38 | 20814 | SPACER | | 2 | | |
| 39 | X-12-802 | PIPE PLUG | X12 800 | 1 | 1/2" | |



10475-4-92 CMB CYL

COMBINATION CYLINDER

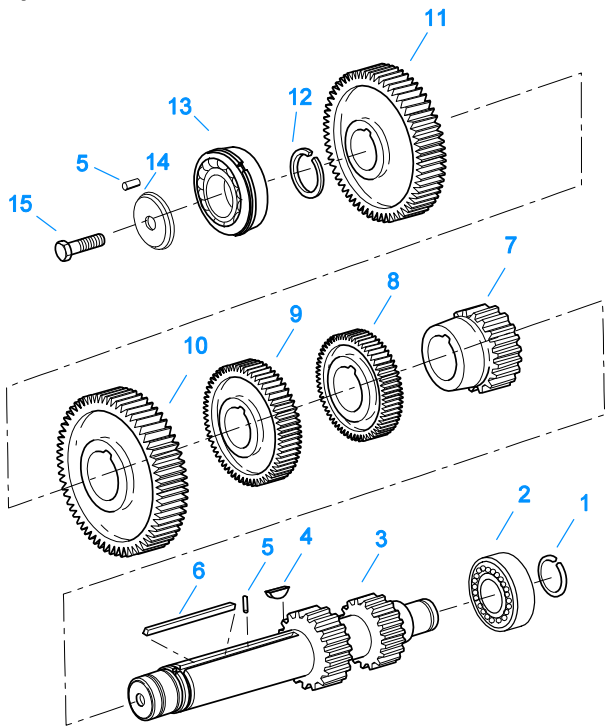
| Item | Current Part | Description | Replaced Part | Qty. | Notes | Kits/Assys Where Needed |
|------|--------------|----------------|----------------|------|----------------|-------------------------|
| 1 | A-5159 | YOKE ASSY | 21333 | 1 | RANGE | |
| 2 | A-5160 | YOKE ASSY | 21335 | 1 | REDUCTION | |
| 3 | 21330 | CYLINDER | | 1 | | |
| 4 | 21332 | GASKET | | 1 | | K-2054,K-2061 |
| 5 | 14765 | -O- RING | | 1 | | K-2054 |
| 6 | 14341 | PISTON | 23353 | 1 | | |
| 7 | 14345 | -O- RING | | 1 | | K-2054 |
| 8 | 14344 | -O- RING | | 1 | | K-2054 |
| 9 | X-1-1010 | NUT | | 1 | 5/8"-18 | |
| 10 | 14644 | -O- RING | | 1 | | K-2054 |
| 11 | K-2427 | PISTON KIT | 21337 ,4301320 | 1 | | |
| 12 | 20423 | -O- RING | | 1 | | K-2054 |
| 13 | X-1-803 | NUT | | 1 | 1/2"-20 | |
| 14 | 21329 | CYLINDER COVER | | 1 | | |
| 15 | 4301348 | -O- RING | | 1 | | K-2054,K-2427 |
| 16 | X-8L-631 | CAPSCREW | X 8 631 | 5 | 3/8"-16X3-1/2" | |
| 17 | 19974 | INSERT VALVE | 15512 4303616 | 1 | | K-3272,K-3273 |
| 18 | 13653 | -O- RING | | 3 | | K-1457 |
| 19 | 15719 | PLUG | | 1 | | |
| 20 | 21331 | GASKET | | 1 | | K-2054,K-2061,K-2427 |



10445-12-93 AUXCS

COUNTERSHAFT & BRGS(AUX)

| Item | Current Part | Description | Replaced Part | Qty. | Notes | Kits/Assys Where Needed |
|------|--------------|-----------------------|---------------|------|-------|-------------------------|
| 1 | K-3500 | COUNTERSHAFT REPL KIT | A - 6843 | 2 | | |
| 2 | 4302074-BOX | BEARING | 21343,4302074 | 4 | | K-3272,K-3273 |
| 3 | 21342 | SPACER | | 2 | | |



10340-1/92 CS/RT

COUNTERSHAFT ASSY

| Item | Current Part | Description | Replaced Part | Qty. | Notes | Kits/Assys Where Needed |
|------|--------------|---------------------|---------------------------------------|------|------------------------------------|-------------------------|
| 1 | 14317 | SNAP RING | | 2 | | K-3260,K-3272,K-3273 |
| 2 | 4303031 | BEARING | 14366 | 2 | | K-3272,K-3273 |
| 3 | K-2934 | CNTRSHFT-W/REV & LO | 19549 | 2 | | |
| 4 | X-6-E | KEY | | 2 | | |
| 5 | 62511 | ROLL PIN | | 2 | | |
| 6 | 4304840 | KEY | 19673 | 2 | | |
| 7 | 4306076 | 1ST GEAR-CNTRSHFT | 19247,20471 | 2 | | |
| 8 | 20482 | 2ND GEAR-CNTRSHFT | 19615 | 2 | | |
| 9 | 4305657 | 3RD GEAR-CNTRSHFT | 19240 ,19243 ,20392 ,4302087,21020 | 2 | | |
| 10 | 15953 | PTO GEAR - LOWER | | 1 | | |
| 10 | 16390 | NO LONGER AVAILABLE | | 1 | OPTIONAL IF PTO GEARS ARE NOT USED | |
| 10 | 20840 | PTO GEAR - UPPER | 15952 | 1 | | |
| 11 | 4305661 | DRIVE GEAR-CNTRSHFT | 19631 ,19633 ,20481 ,4302233,20459 | 2 | | |
| 12 | 19198 | SNAP RING | | 2 | | K-3260 |
| 13 | 81022 | BALL BEARING | 5566509 | 2 | | K-3272,K-3273 |
| 14 | K-2966 | RETAINER KIT | 19668 ,A - 4729 | 2 | ROLL PIN NO LONGER REQUIRED | |
| 15 | X-7-1005 | CAPSCREW | | 2 | 5/8"-18X1-3/4" | |

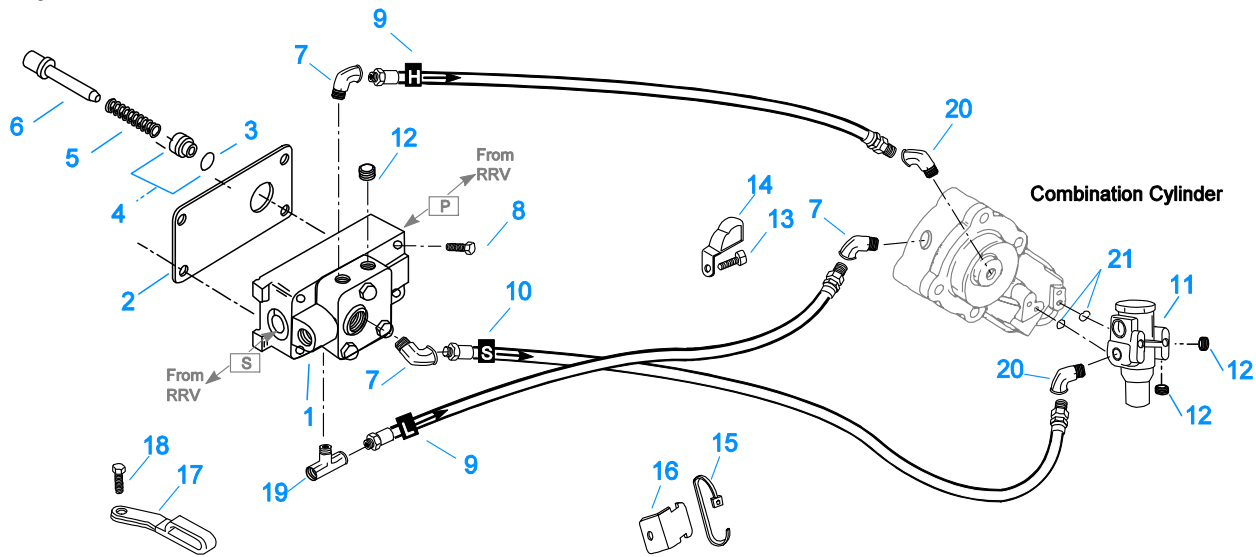
Group: FILTER REGULATOR



FILTER REGULATOR

| Item | Current Part | Description | Replaced Part | Qty. | Notes | Kits/Assys Where Needed |
|------|--------------|----------------------|---------------|------|----------------------|-------------------------|
| 1 | K-2170 | FILTER REG KIT | A - 5454 | 1 | | |
| 2 | K-1698 | -O- RING/ELEMENT KIT | | 1 | FOR FILTER REGULATOR | |
| 3 | X-8C-412 | CAPSCREW | X 8S 412 | 2 | 1/4"-20X2-1/4" | |

Group: H & C W/A-5000 VALVE



10110H-11-93 A-5000 HC

H & C W/A-5000 VALVE

| Item | Current Part | Description | Replaced Part | Qty. | Notes | Kits/Assys Where Needed |
|------|--------------|------------------|---------------------|------|------------------|-----------------------------|
| 1 | A-5000 | SLAVE VALVE ASSY | 20850 | 1 | | |
| 2 | 19481 | GASKET | | 1 | | K-2061 |
| 3 | 19462 | -O- RING | 14033 | 1 | | K-1969 |
| 4 | K-1969 | SLEEVE KIT | 14362 ,19460 ,21446 | 1 | FOR SLAVE VALVES | |
| 5 | 21268 | SPRING | 19572 | 1 | | |
| 6 | 20490 | PIN | 19459 | 1 | | |
| 7 | 12845 | ELBOW | | 3 | 1/8" | |
| 8 | X-8C-411 | CAPSCREW | | 4 | 1/4"-20X1-3/4" | |
| 9 | 55509 | HOSE ASSY | | 2 | 34" | |
| 10 | 55528 | HOSE ASSY | | 1 | 36" | |
| 11 | K-2170 | FILTER REG KIT | A - 5454 | 1 | | |
| 12 | X-12-208 | PIPE PLUG | | 3 | 1/8" NPT | |
| 13 | X-8L-601 | CAPSCREW | | 1 | 3/8"-16X3/4" | |
| 14 | 21427 | HOSE CLAMP | | 1 | | |
| 15 | 21425 | STRAP | | 1 | | |
| 16 | 21426 | BRACKET | | 1 | | |
| 17 | 21428 | HOSE CLAMP | | 1 | | |
| 18 | X-8L-604 | CAPSCREW | | 1 | 3/8"-16X1-1/4" | |
| 19 | 21086 | BRANCH TEE | | 1 | 1/8" | |
| 20 | 12880 | ELBOW | | 2 | 1/8" | |
| 21 | 15114 | -O- RING | | 2 | | A-5000,K-1935,K-2054,K-2170 |



* For Shipping Only -- Do Not Replace

*

10370-1/92 IS

INPUT SHAFT & DRIVE GEAR

| Item | Current Part | Description | Replaced Part | Qty. | Notes | Kits/Assys Where Needed |
|------|--------------|-----------------|---------------------|------|---------------------------|------------------------------------|
| 1 | 23559 | SHIPPING SEAL | | 1 | NOT SOLD FOR SERVICE | |
| 2 | 16980 | SNAP RING | | 1 | | K-2468,K-3260,K-3272,K-4125 |
| 3 | 4301417 | BEARING | 81504 | 1 | | K-3272,K-3273 |
| 4 | 16463 | SPACER | | 1 | | |
| 5 | 14750 | SNAP RING | | 1 | | K-2468,K-3260,K-3272,K-3273,K-4125 |
| 6 | 20458 | MAIN DRIVE GEAR | 19630 | 1 | | |
| 8 | S-1659 | INPUT SHAFT | 20535 23566 4302661 | 1 | 2" PULL - USE W/FBC 20550 | K-2468,K-3272,K-4125 |
| 8 | S-1660 | INPUT SHAFT | 20536 ,23567 | 1 | 2" PUSH - USE W/FBC 20549 | |
| 9 | 16566 | BUSHING | | 1 | | K-3273,S-1659,S-1660 |



INTEGRAL OIL PUMP

| Item | Current Part | Description | Replaced Part | Qty. | Notes | Kits/Assys Where Needed |
|------|--------------|--------------------------|---|------|---------------------------------|-------------------------|
| 1 | X-8C-409 | CAPSCREW | | 5 | 1/4"-20X5/8" | |
| 2 | K-2402 | COVER & SCREW KIT | 20513 ,4300751 | 1 | | |
| 3 | 20514 | GASKET | | 1 | | K-2061,K-2402 |
| 4 | 20823 | PLUG | | 1 | | |
| 5 | 14765 | -O- RING | | 1 | | K-2054 |
| 6 | X-8-448 | SCREW | X 8 445 | 3 | 1/4"-20X1-1/4" | |
| 7 | 20824 | WASHER | | 3 | | K-3367 |
| 8 | 20825 | DOWEL PIN | | 1 | | |
| 9 | 4303107 | RETAINER | 20510 | 1 | | S-1545 |
| 10 | K-3367 | OIL PUMP KIT | 4301829 ,4301948 ,4303776 ,4304529 ,4304572 A - 6963 ,A - 7173 | 1 | | |
| 11 | 20518 | CRESCENT RING | | 1 | | |
| 12 | 62516 | ROLL PIN | 62521 | 1 | | |
| 13 | 62514 | ROLL PIN | | 1 | | |
| 14 | K-3367 | OIL PUMP KIT | 4301829 ,4301948 ,4303776 ,4304529 ,4304572 A - 6963 ,A - 7173 | 1 | | |
| 15 | X-14-700 | STEEL BALL | | 1 | 7/16" | |
| 17 | 20225 | -O- RING | | 1 | | |
| 18 | 4305713 | SUCTION TUBE | 4304628 | 1 | O-RING INCLUDED ON SUCTION TUBE | K-3367 |
| 19 | 20508 | DRIVE SHAFT | | 1 | | |
| 20 | 20509 | KEY | | 2 | | |
| 21 | 14853 | SNAP RING | | 2 | | |
| 22 | 20511 | DRIVE GEAR | | 1 | | |
| 23 | 4306584 | CLUTCH HOUSING GASKET | 4304815,4305668 | 1 | | K-2061 |
| 24 | S-1545 | CASE ASSY | 21528 | 1 | FOR USE W/INTEGRAL PUMP | |
| 25 | 14373 | MAGNET | | 3 | | S-1545,S-1549 |
| 26 | 20507 | ELEMENT | | 1 | | |
| 27 | K-3367 | OIL PUMP KIT | 4301829 ,4301948 ,4303776 ,4304529 ,4304572 A - 6963 ,A - 7173 | 1 | | |
| 999 | K-3367 | OIL PUMP KIT | 4301829 ,4301948 ,4303776 ,4304529 | 1 | | |

| Item | Current Part | Description | Replaced Part | Qty. | Notes | Kits/Assys Where Needed |
|------|--------------|-------------|-----------------------------|------|-------|-------------------------|
| | | | ,4304572 A - 6963 ,A - 7173 | | | |



10210-1-92 Isolator

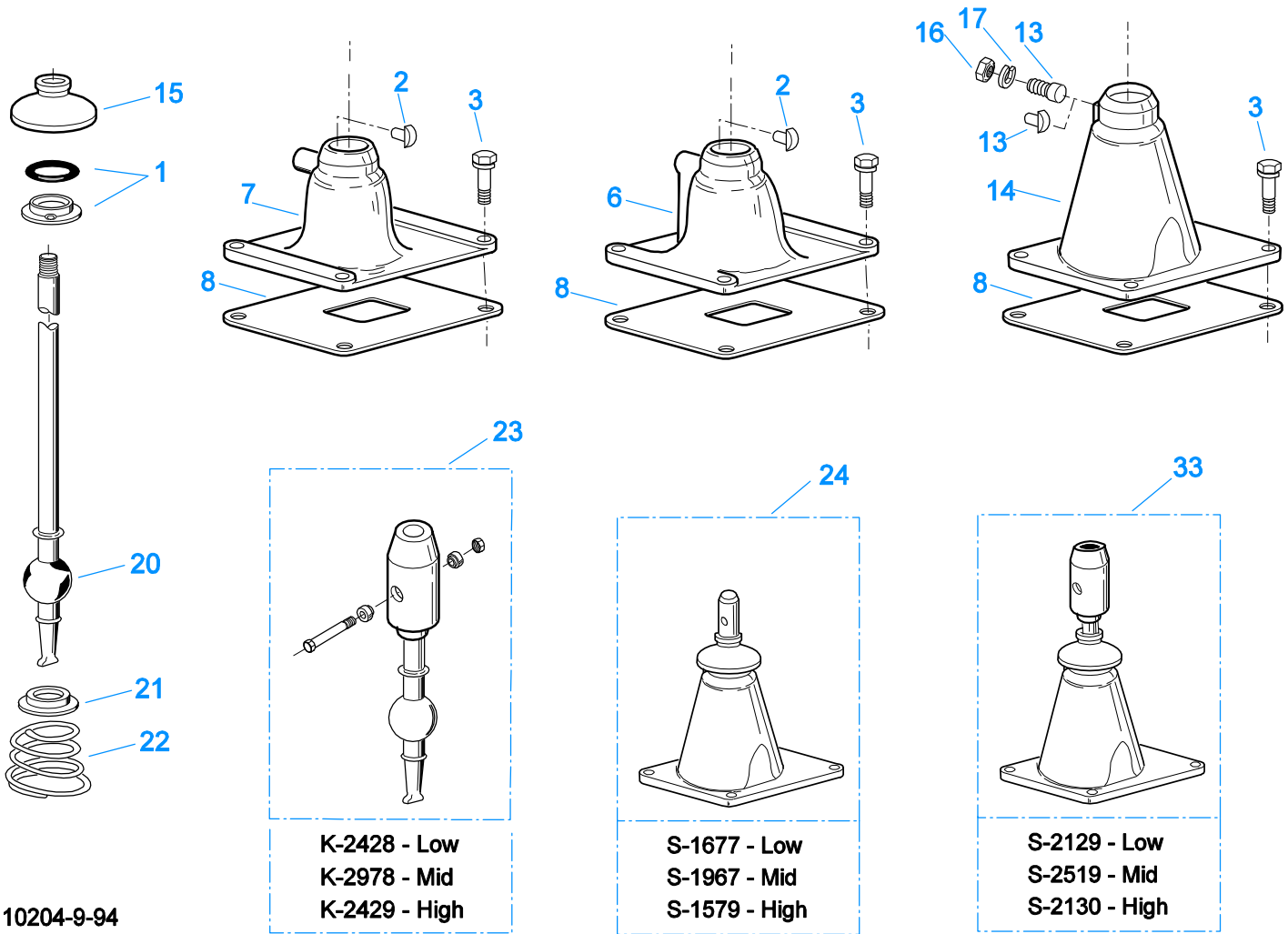
ISOLATORS

| Item | Current Part | Description | Replaced Part | Qty. | Notes | Kits/Assys Where Needed |
|------|--------------|----------------------|---------------|------|-----------------|---|
| 1 | 19124 | -E- RING | | 2 | | |
| 2 | K-3467 | PIN REPLACEMENT KIT | 21245 | 1 | | |
| 3 | 21246 | BUSHING | | 2 | | K-2003,K-2428,K-2429,K-2978,K-3399,S-2129,S-2130,S-2519 |
| 4 | S-1794 | ISOLATOR ASSY | | 1 | | |
| 6 | 21247 | LEVER | | 1 | STRAIGHT 18.67" | |
| 7 | 21235 | STUB LEVER | | 1 | LOW TOWER | K-2428,S-1677 |
| 7 | 21236 | STUB LEVER | | 1 | HIGH TOWER | K-2429,S-1579,S-2130 |
| 7 | 4301168 | STUB LEVER | | 1 | MID TOWER | K-2978 |
| 9 | 21767 | 90 DEG LEVER | | 1 | STRAIGHT 33" | |
| 10 | K-3399 | ISOLATOR BUSHING KIT | 21244 ,23311 | 1 | | |
| 11 | X-8-560 | SCREW | | 1 | | |
| 12 | X-9-503 | NUT | | 1 | | |

KITS & ASSEMBLIES

| Item | Current Part | Description | Replaced Part | Qty. | Notes | Kits/Assys Where Needed |
|--------|--------------|---|--|------|--|-------------------------|
| K-1457 | | -O- RING KIT | | 1 | FOR INSERT VALVE | |
| K-1476 | | SHIFT LEVER HSG | 4530 ,17163 ,18298 ,4304905 ,A - 4437 | 1 | LOW TOWER | |
| K-1698 | | -O- RING/ELEMENT KIT | | 1 | FOR FILTER REGULATOR | |
| K-1935 | | REPAIR KIT-SLAVE VALVE | | 1 | FOR A-5000 VALVE | |
| K-1956 | | COOLER INSTLN KIT | | 1 | | |
| K-1969 | | SLEEVE KIT | 14362 ,19460 ,21446 | 1 | FOR SLAVE VALVES | |
| K-2003 | | PIN & BUSHING KIT | | 1 | | |
| K-2054 | | -O- RING KIT | | 1 | | K-3272,K-3273 |
| K-2061 | | GASKET KIT | | 1 | | K-3272,K-3273 |
| K-2170 | | FILTER REG KIT | A - 5454 | 1 | | |
| K-2262 | | OIL SEAL W/SLINGER | 19109 ,20807 ,20808 | 1 | "FOR MECHANICAL COVER" | |
| K-2394 | | AIR SYSTEMS TOOL KIT | | 1 | | |
| K-2402 | | COVER & SCREW KIT | 20513 ,4300751 | 1 | | |
| K-2427 | | PISTON KIT | 4301320 | 1 | | |
| K-2428 | | LEVER REPLACEMENT KIT | | 1 | LOW TOWER | |
| K-2429 | | LEVER REPLACEMENT KIT | | 1 | HIGH TOWER | |
| K-2468 | | CLUTCH INSTALLATION KIT | | 1 | FOR USE WITH S-1659 INPUT SHAFT ASSY AND 81504 INPUT SHAFT BEARING | |
| K-2805 | | SHIM KIT | 21452 K - 2106 | 1 | | K-3272,K-3273,S-2712 |
| K-2918 | | OIL SEAL KIT | 4302322 4302323 | 1 | "FOR MAGNETIC COVER" | K-3272,K-3273 |
| K-2934 | | COUNTERSHAFT REPL KIT | 19549 | 1 | | |
| K-2966 | | RETAINER KIT | 19668 ,A - 4729 | 1 | | |
| K-2973 | | SHIFT LEVER HSG KIT | 17166 ,17167 ,4303050 ,4304910 ,K - 1630 K - 1941 | 1 | HIGH TOWER | |
| K-2977 | | SHIFT LEVER HSG KIT | 4301167 ,4304907 ,A - 6040 | 1 | MID TOWER | |
| K-2978 | | LEVER REPLACEMENT KIT | | 1 | MID TOWER | |
| K-3192 | | MASTER VALVE REPAIR KIT | | 1 | FOR A-6915 VALVE | |
| K-3194 | | MASTER VALVE REPAIR KIT | | 1 | FOR A-7315 VALVE | |
| K-3209 | | IDLER SHAFT REPL KIT | 16405 ,4302981 ,4305513 | 1 | | |
| K-3260 | | SMALL PARTS KIT | | 1 | | |
| K-3272 | | BASIC OVERHAUL KIT | | 1 | | |
| K-3273 | | BASIC REBUILD KIT | | 1 | | |
| K-3367 | | OIL PUMP KIT | 4301829 ,4301948 ,4303776 ,4304529 ,4304572 A - 6963 ,A - 7173 | 1 | | |
| K-3399 | | ISOLATOR BUSHING KIT | 21244 ,23311 | 1 | | |
| K-3467 | | PIN REPLACEMENT KIT | 21245 | 1 | | |
| K-3492 | | SYNCHRONIZER KIT | K - 2446 | 1 | | |
| K-3494 | | SYNCHRONIZER REPLACEMENT KIT | K - 2448 | 1 | SLIDING CLUTCH INCLUDED IN KIT | |
| K-3500 | | COUNTERSHAFT REPL KIT | A - 6843 | 1 | | |
| K-4125 | | CLUTCH INSTALLATION KIT (RT), HYDRAULIC RELEASE | | 1 | STANDARD RT INPUT SHAFT AND YOKE FOR HYDRAULIC CLUTCH RELEASE | |
| S-1219 | | YOKE ASSY LOW-REV | | 1 | | |
| S-1404 | | OIL FILTER | 17238 | 1 | | |
| S-1440 | | SHIFT BAR HSG-RT | 20211 ,22955 | 1 | HOUSING ONLY | |
| S-1441 | | SHIFT BAR HSG-RTF | 20213 ,22956 | 1 | HOUSING ONLY | |
| S-1516 | | CAP ASSY | 20851 ,20853 | 1 | | |
| S-1529 | | SHIFT BAR HSG ASSY-RTF | 20213 ,22956 | 1 | COMPLETE | |
| S-1531 | | SHIFT BAR HSG ASSY-RT | 20211 ,22955 | 1 | COMPLETE | |
| S-1545 | | CASE ASSY | 21528 | 1 | FOR USE W/INTEGRAL PUMP | |
| S-1549 | | CASE ASSY | 21318 | 1 | | |

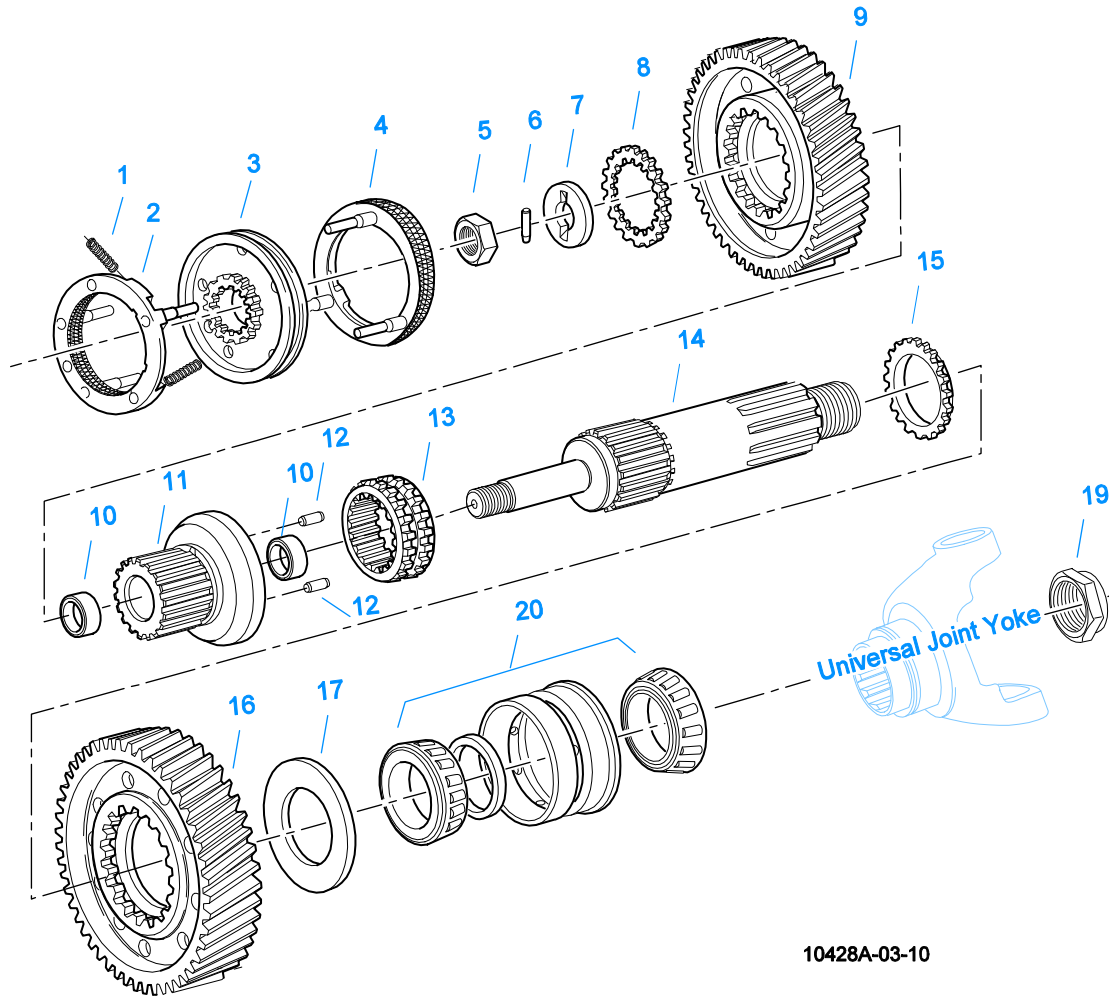
| Item | Current Part | Description | Replaced Part | Qty. | Notes | Kits/Assys Where Needed |
|---------|--------------|--------------------------|------------------------------------|------|------------------------------------|-------------------------|
| S-1659 | | INPUT SHAFT | 20535 23566 4302661 | 1 | 2" PULL - USE W/FBC 20550 | K-2468,K-3272,K-4125 |
| S-1660 | | INPUT SHAFT | 20536 ,23567 | 1 | 2" PUSH - USE W/FBC 20549 | |
| S-1794 | | ISOLATOR ASSY | | 1 | | |
| S-2129 | | SHIFT LEVER HSG ASSY | | 1 | LOW TOWER | |
| S-2130 | | SHIFT LEVER HSG ASSY | S - 2053 | 1 | HIGH TOWER | |
| S-2501 | | SPEEDO ROTOR ASSY | 4302242 | 1 | MAGNETIC | |
| S-2502 | | REAR BRG COVER ASSY | 4303604 ,4305827 | 1 | MECHANICAL - 4:00 OPENING | |
| S-2503 | | SPEEDO SPACER ASSY | 4302590 | 1 | MECHANICAL | |
| S-2519 | | SHIFT LEVER HSG ASSY | S - 2919 | 1 | MID TOWER | |
| S-2581 | | ROADRANGER VALVE ASSY | | 1 | RT | |
| S-2688 | | MAINSHAFT ASSY | 4303404 ,4303913 | 1 | | |
| S-2712 | | RANGE SECTION ASSY | | 1 | | |
| S-2712R | | REMAN RANGE SECTION ASSY | | 1 | | |
| S-2809 | | REAR BEARING COVER ASSY | 4302332 ,4303872 ,4304652 ,4305830 | 1 | PUSH-IN/THREAD-IN MAGNETIC PICK-UP | |
| S-2859 | | REAR BRG COVER ASSY | 4302732 ,4305826 | 1 | MECHANICAL - 6:00 OPENING | |



LEVERS/HOUSINGS

| Item | Current Part | Description | Replaced Part | Qty. | Notes | Kits/Assys Where Needed |
|------|--------------|---------------------|---|------|--------------------------|--|
| 1 | K-3376 | O-RING & WASHER KIT | 4301211 | 1 | | |
| 2 | 18299 | PIN | | 1 | | K-1476,K-2977,S-1677 |
| 3 | X-8C-1036M | CAPSCREW | X-8-1005M | 4 | M10 X 1.5 X 38MM | |
| 6 | K-2977 | SHIFT LEVER HSG KIT | 4301167 ,4304907 ,A - 6040 | 1 | MID TOWER | |
| 7 | K-1476 | SHIFT LEVER HSG | 4530 ,17163 ,18298 ,4304905 ,A - 4437 | 1 | LOW TOWER | |
| 8 | 4305294 | GASKET | 4303431 | 1 | | K-1476,K-2061,K-2428,K-2429,K-2973,K-2977,K-2978,S-1529,S-1531,S-1579,S-1677,S-1967,S-2129,S-2130,S-2519 |
| 13 | 4303030 | PIN | | 1 | | K-2973,S-1579,S-2130 |
| 13 | 6541 | PIN | | 1 | 3/8" - USED W/17167 ONLY | |
| 14 | K-2973 | SHIFT LEVER HSG KIT | 17166 ,17167 ,4303050 ,4304910 ,K - 1630 K - 1941 | 1 | HIGH TOWER | |
| 15 | 10427 | BOOT | | 1 | | K-1476,K-2973,K-2977,S-1579,S-1677,S-2130 |
| 16 | X-1-600 | NUT | | 1 | 3/8"-24-N.F.PLAIN | |
| 17 | X-3-600 | LOCKWASHER | | 1 | 3/8" | |
| 20 | 17600 | GEAR SHIFT LEVER | | 1 | STRAIGHT - LOW 21-1/2" | |
| 20 | 18482 | GEAR SHIFT LEVER | | 1 | STRAIGHT - HIGH 35" | |

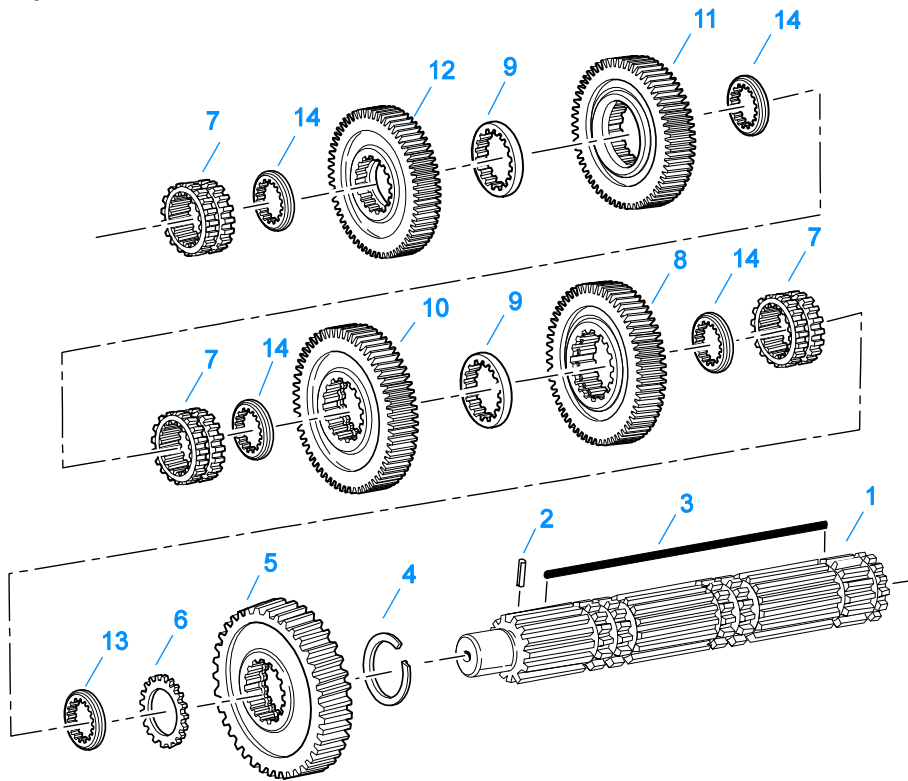
| Item | Current Part | Description | Replaced Part | Qty. | Notes | Kits/Assys Where Needed |
|------|--------------|-----------------------|---------------|------|------------|---|
| 21 | 2538 | RETAINER | | 1 | | K-1476,K-2973,K-2977,S-1579,S-1677,S-2130 |
| 22 | 2536 | SPRING | | 1 | | K-1476,K-2973,K-2977,S-1579,S-1677,S-2130 |
| 23 | K-2428 | LEVER REPLACEMENT KIT | | 1 | LOW TOWER | |
| 23 | K-2429 | LEVER REPLACEMENT KIT | | 1 | HIGH TOWER | |
| 23 | K-2978 | LEVER REPLACEMENT KIT | | 1 | MID TOWER | |
| 24 | S-1579 | SHIFT TOWER ASSY | | 1 | HIGH TOWER | |
| 24 | S-1677 | SHIFT TOWER ASSY | | 1 | LOW TOWER | |
| 24 | S-1967 | SHIFT TOWER ASSY | | 1 | MID TOWER | |
| 33 | S-2129 | SHIFT LEVER HSG ASSY | | 1 | LOW TOWER | |
| 33 | S-2130 | SHIFT LEVER HSG ASSY | S - 2053 | 1 | HIGH TOWER | |
| 33 | S-2519 | SHIFT LEVER HSG ASSY | S - 2919 | 1 | MID TOWER | |



10428A-03-10

MAINSHAFT & SYNCHRO(AUX)

| Item | Current Part | Description | Replaced Part | Qty. | Notes | Kits/Assys Where Needed |
|------|--------------|----------------------------|--------------------------|------|----------|------------------------------------|
| 1 | 14897 | SPRING | | 3 | | K-3260,K-3272,K-3273,K-3492,K-3494 |
| 2 | A-7331 | SYNCHRONIZER ASSY | 4304396 4304397 A - 5917 | 1 | HI RANGE | K-3492,K-3494 |
| 3 | 20323 | SLIDING CLUTCH | | 1 | | K-3494 |
| 4 | A-7254 | SYNCHRONIZER ASSEMBLY | A - 4937 A - 5876 | 1 | LO RANGE | K-3492,K-3494 |
| 5 | 21365 | NUT | | 1 | | K-3260 |
| 6 | 17332 | DOWEL PIN | | 1 | | K-3260 |
| 7 | 21347 | WASHER | | 1 | | K-3260 |
| 8 | 21350 | WASHER | | 1 | | K-3260 |
| 9 | 21319 | REDUCTION GEAR | | 1 | | |
| 10 | 21352 | BUSHING | | 2 | | A-5156,K-3272,K-3273 |
| 11 | A-5156 | MAINSHAFT ASSY | 21351 | 1 | | |
| 12 | 21652 | PIN | | 2 | | K-3260 |
| 13 | 21360 | SLIDING CLUTCH | | 1 | | |
| 14 | 4303359 | MAINSHAFT | | 1 | | |
| 15 | 21354 | WASHER | | 1 | | K-3260 |
| 16 | 21361 | DEEP REDUCTION GEAR | | 1 | | |
| 17 | 21358 | WASHER | | 1 | | K-3260 |
| 19 | K-4122 | HEX FLANGE CRIMPED NUT KIT | 4302321,4306520 | 1 | | |
| 20 | 5556503-BOX | BEARING | 5556503 | 1 | | K-3272,K-3273 |



10337A-10-96

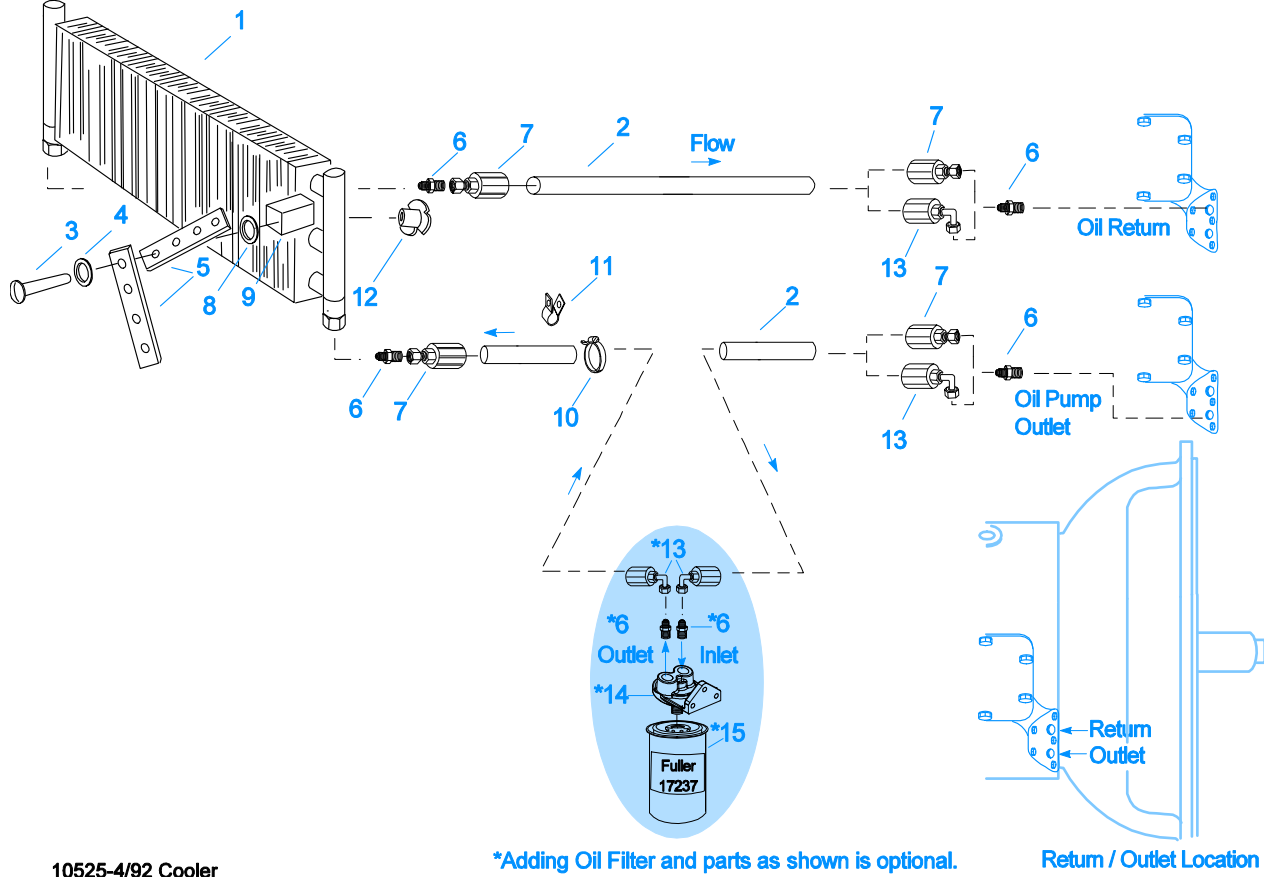
MAINSHAFT ASSY

| Item | Current Part | Description | Replaced Part | Qty. | Notes | Kits/Assys Where Needed |
|------|--------------|------------------------|------------------|------|-------|------------------------------------|
| 1 | S-2688 | MAINSHAFT ASSY | 4303404 ,4303913 | 1 | | |
| 2 | 62504 | ROLL PIN | | 1 | | S-2688 |
| 3 | 4304614 | 3-SIDED KEY | 4300890 | 1 | | |
| 4 | 14750 | SNAP RING | | 1 | | K-2468,K-3260,K-3272,K-3273,K-4125 |
| 5 | 16756 | REVERSE GEAR-MAINSHAFT | 22408 | 1 | | |
| 6 | 14749 | SPACER | | 1 | | K-3260 |
| 7 | 4306648 | SLIDING CLUTCH | 16118 | 3 | | K-3272 |
| 8 | 4303409 | LO GEAR-MAINSHAFT | 4303407 | 1 | | |
| 9 | 4303603 | WASHER | 4302397 | 2 | | |
| 10 | 4303477 | 1ST GEAR-MAINSHAFT | 4303414 | 1 | | |
| 11 | 4302384 | 2ND GEAR-MAINSHAFT | 4302385 | 1 | | |
| 12 | 4303476 | 3RD GEAR-MAINSHAFT | 4303452 | 1 | | |
| 13 | 4300830 | WASHER .244-BLUE | | 1 | | |
| 14 | 4302398 | WASHER | | 4 | | |

MISCELLANEOUS

| Item | Current Part | Description | Replaced Part | Qty. | Notes | Kits/Assys Where Needed |
|-------|--------------|---------------------|---------------|------|----------------------------------|-----------------------------|
| 20466 | | SHIFT DIAGRAM LABEL | | 1 | | |
| 71203 | | SILICONE LUBE | | 1 | 8 OZ (236.59 CC)-FLEET SIZE | |
| 71204 | | ADHESIVE SEALANT | | 1 | 0.5 CC (SINGLE APPLICATION SIZE) | |
| 71205 | | SEALANT | | 1 | 2 CC (SINGLE APPLICATION SIZE) | K-3272 |
| 71206 | | SILICONE LUBE | | 1 | 4 CC (SINGLE APPLICATION SIZE) | K-2054,K-2428,K-2429,K-2978 |

Group: OIL COOLER



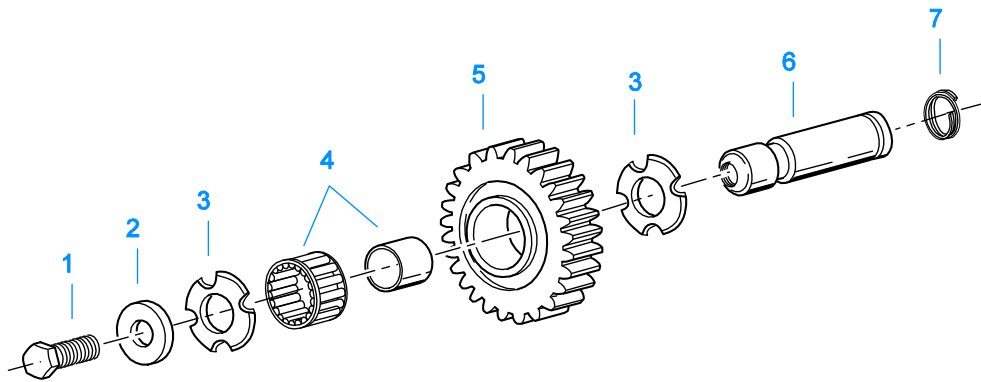
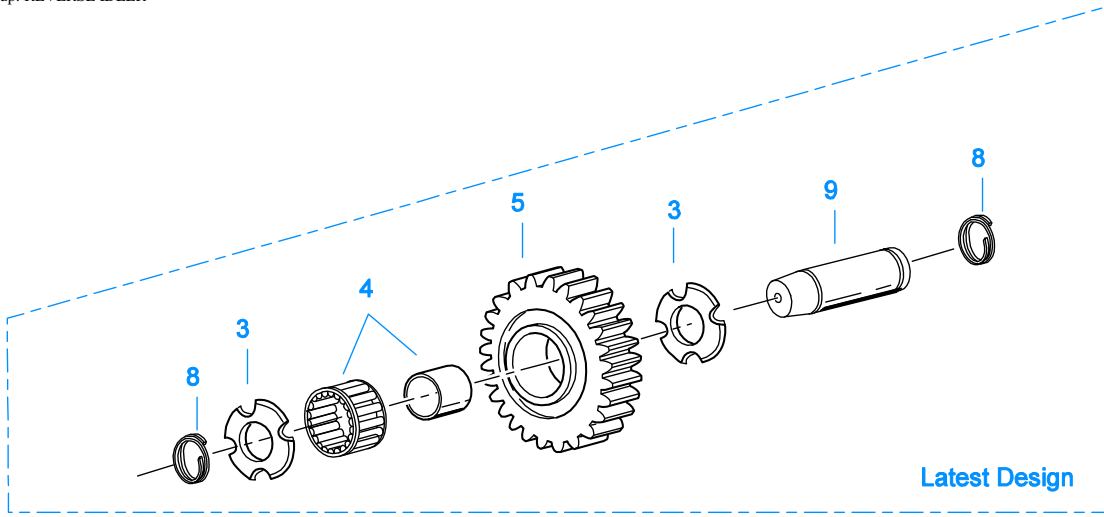
10525-4/92 Cooler

*Adding Oil Filter and parts as shown is optional.

Return / Outlet Location

OIL COOLER

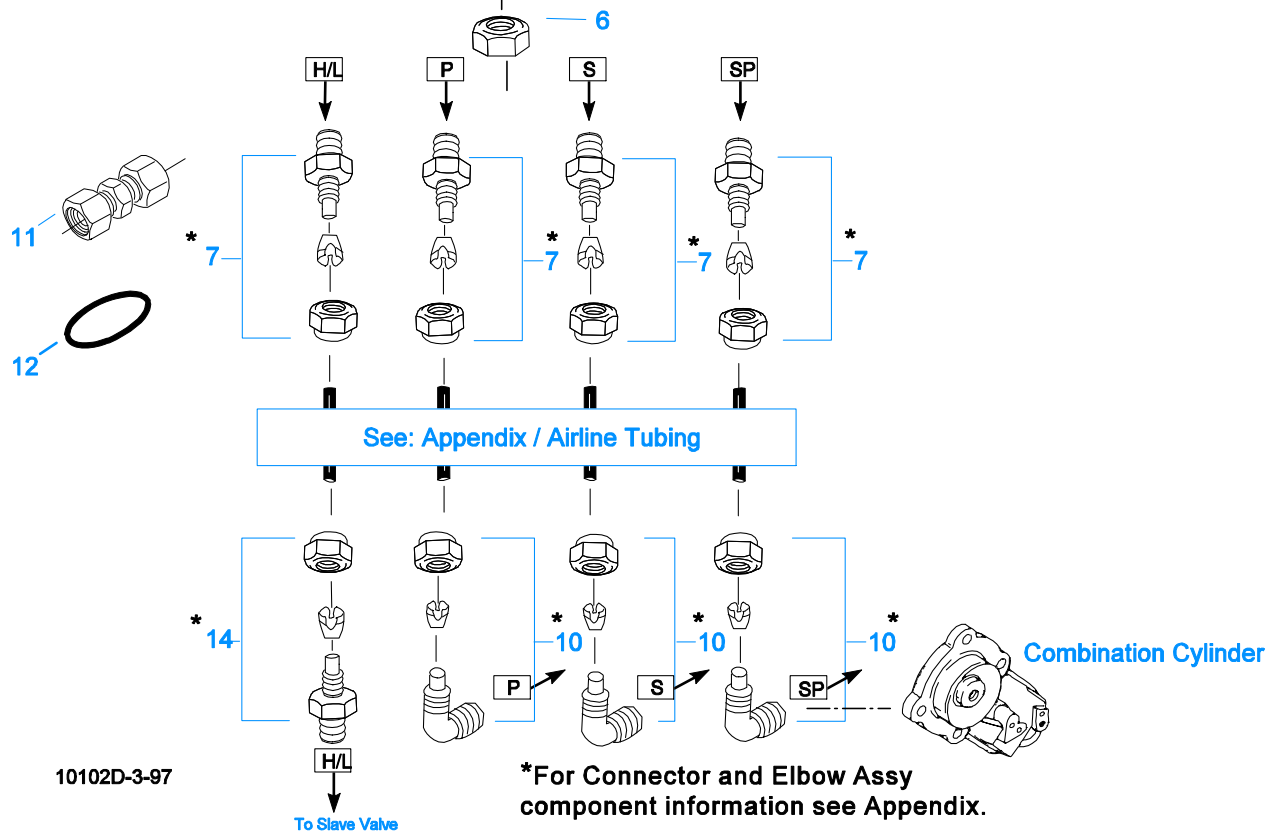
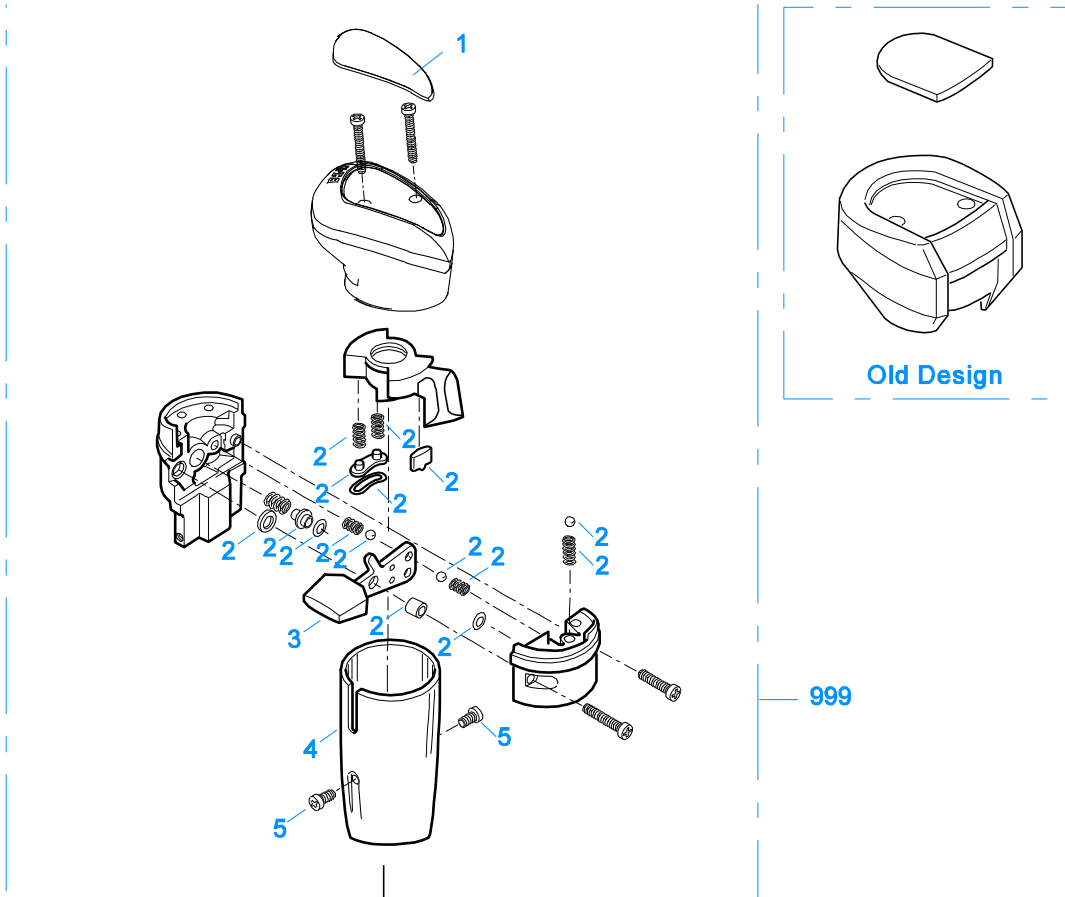
| Item | Current Part | Description | Replaced Part | Qty. | Notes | Kits/Assys Where Needed |
|------|--------------|-------------------|---------------|------|-----------------|-------------------------|
| 1 | 18025 | OIL COOLER | | 1 | | K-1956 |
| 2 | 19424 | HOSE | | 1 | 25 FEET | K-1956 |
| 3 | X-8-535 | CAPSCREW | | 2 | 5/16"-16X2-1/2" | |
| 4 | X-3-506 | LOCKWASHER | | 2 | 5/16" | |
| 5 | 18211 | BRACKET | | 4 | | K-1956 |
| 6 | 19419 | CONNECTOR | | 6 | | K-1956,S-1404 |
| 7 | 19415 | SWIVEL | | 4 | | K-1956 |
| 8 | X-10-501 | WASHER | | 2 | 5/16" | |
| 9 | 18209 | PLUG-RUBBER MOUNT | | 2 | | K-1956 |
| 10 | 17190 | STRAP | | 8 | | K-1956 |
| 11 | 19423 | CLAMP | | 5 | | K-1956 |
| 12 | 18210 | NUT | | 2 | | K-1956 |
| 13 | 19422 | ELBOW | | 2 | | K-1956 |
| 14 | S-1404 | OIL FILTER | 17238 | 1 | | |
| 15 | 17237 | FILTER ELEMENT | | 1 | | S-1404 |



11382-3-97 RI

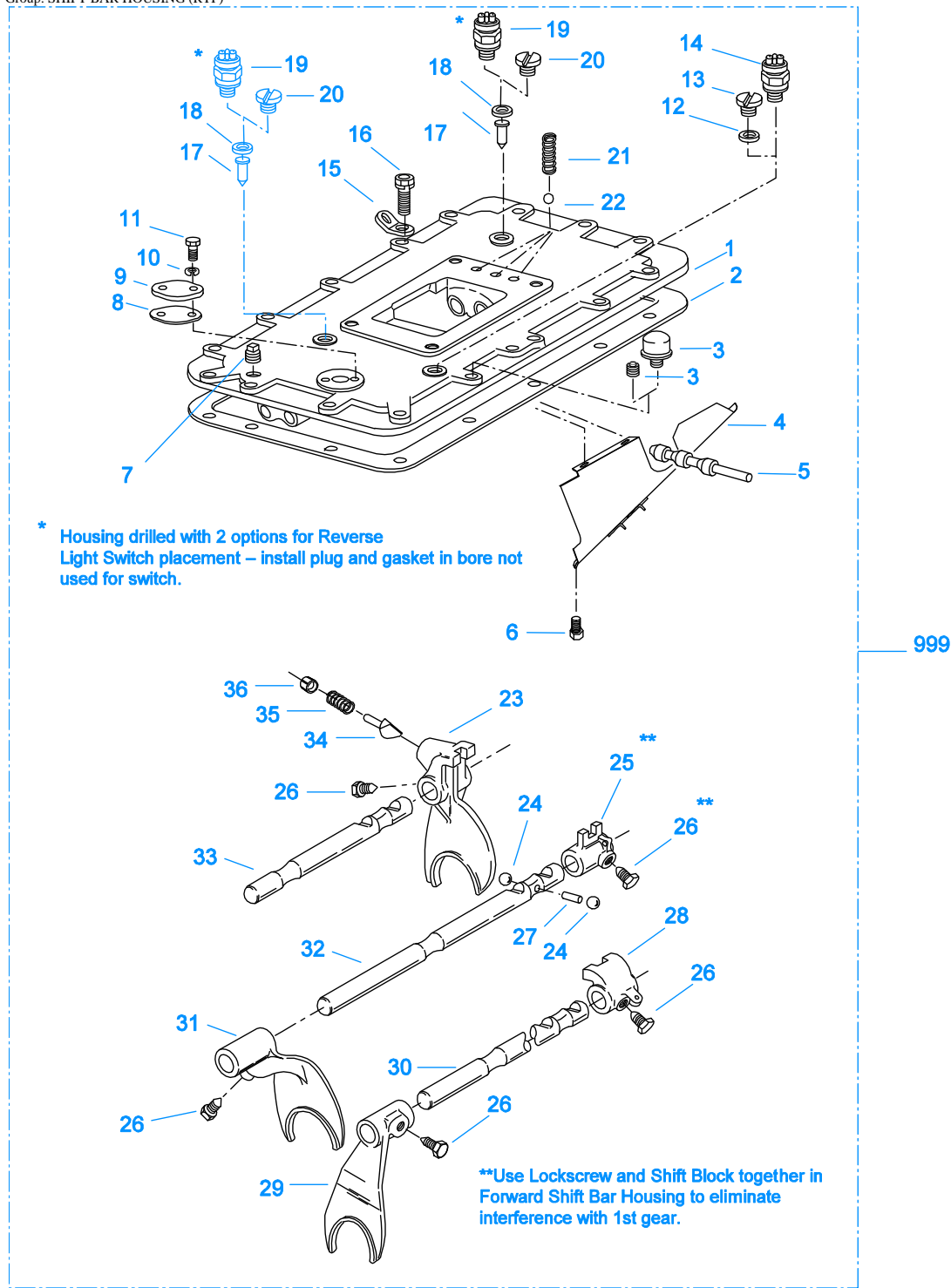
REVERSE IDLER

| Item | Current Part | Description | Replaced Part | Qty. | Notes | Kits/Assys Where Needed |
|------|--------------|----------------------|----------------------------|------|---------------|-------------------------|
| 1 | X-7-1008 | CAPSCREW | | 2 | 5/8"-18X1-1/4 | |
| 2 | 14283 | WASHER | | 2 | | |
| 3 | 4302982 | WASHER | 14282 | 4 | | K-3209,S-1545,S-1549 |
| 4 | 14287 | BEARING | 4305020 | 2 | | K-3272,K-3273 |
| 5 | 16757 | REVERSE IDLER GEAR | 22409 | 2 | | |
| 6 | K-3209 | IDLER SHAFT REPL KIT | 16405 ,4302981 ,4305513 | 2 | | |
| 7 | 4303336 | RETAINING RING | | 2 | | K-3209 |
| 8 | 4303336 | RETAINING RING | | 4 | | K-3209 |
| 9 | 4305513 | IDLER SHAFT | | 2 | | K-3209 |



ROADRANGER VALVE

| Item | Current Part | Description | Replaced Part | Qty. | Notes | Kits/Assys Where Needed |
|------|--------------|-------------------------|---------------|------|---|-------------------------|
| 1 | 5586100 | MEDALLION, LOGO | | 1 | (LATEST DESIGN) FULLER LOGO ONLY | A-6915,A-7315 |
| 1 | 5586115 | SHIFT DIAGRAM MEDALLION | | 1 | RT-W/SHIFT PATTERN | S-2581 |
| 2 | K-3192 | MASTER VALVE REPAIR KIT | | 1 | FOR A-6915 VALVE | |
| 2 | K-3194 | MASTER VALVE REPAIR KIT | | 1 | FOR A-7315 VALVE | |
| 3 | 20496 | LEVER | | 1 | | A-6915,A-7315 |
| 4 | 20112 | COVER | | 1 | | A-6915,A-7315 |
| 5 | X-8-213 | SCREW | X 8 202 | 2 | 8-32X3/8" | |
| 6 | X-9-802 | NUT | | 1 | 1/2"-13 | |
| 7 | 84001 | CONNECTOR ASSY | 82501 | 4 | 1/8" TUBE-1/16" NPTF | |
| 7 | 84003 | CONNECTOR ASSY | 82503 | 4 | 5/32" TUBE-1/16" NPTF | |
| 7 | 84005 | CONNECTOR ASSY | | 4 | "PUSH-TO-CONNECT" 5/32" TUBE-1/16" NPTF | S-2581 |
| 10 | 85001 | ELBOW ASSY | 84501 | 3 | 5/32" TUBE-1/8" NPTF | K-3272 |
| 10 | 85002 | ELBOW ASSY | 84502 | 3 | 1/8" TUBE-1/8" NPTF | |
| 10 | 85003 | ELBOW ASSY | | 3 | "PUSH-TO-CONNECT" 5/32" TUBE-1/8" NPTF | |
| 11 | 84101 | UNION ASSY | | 1 | 1/8" TUBING | |
| 11 | 84102 | UNION ASSY | | 1 | 5/32" TUBING | |
| 11 | 84103 | UNION ASSY | | 1 | "PUSH-TO-CONNECT" 5/32" TUBING | |
| 12 | 13571 | -O- RING CLAMP | | 2 | | |
| 14 | 84002 | CONNECTOR ASSY | 82502 | 1 | 1/8" TUBE-1/8" NPTF | |
| 14 | 84004 | CONNECTOR ASSY | 82504 | 1 | 5/32" TUBE-1/8" NPTF | K-3272 |
| 14 | 84006 | CONNECTOR ASSY | | 1 | "PUSH-TO-CONNECT" 5/32" TUBE-1/8" NPTF | |
| 999 | A-6915 | ROADRANGER VALVE ASSY | A - 5015 | 1 | STANDARD-W/LOGO | |
| 999 | A-7315 | ROADRANGER VALVE ASSY | A - 5315 | 1 | (LEFT OF DRIVER)-W/LOGO | |
| 999 | S-2581 | ROADRANGER VALVE ASSY | | 1 | RT-W/SHIFT PATTERN | |



10230-1/92 Forward

SHIFT BAR HOUSING (RTF)

| Item | Current Part | Description | Replaced Part | Qty. | Notes | Kits/Assys Where Needed |
|------|--------------|---------------------|---------------|------|--------------|-------------------------|
| 1 | S-1441 | SHIFT BAR HSG - RTF | 20213 ,22956 | 1 | HOUSING ONLY | |
| 2 | 4302676 | GASKET | 14918 | 1 | | K-2061,S-1529,S-1531 |
| 3 | 4304602 | BREATHER | 23605 | 1 | 1/4" NPT | |
| 3 | X-12-404 | PIPE PLUG | | 1 | 1/4" NPT | |
| 4 | 20070 | OIL TROUGH | | 1 | | S-1529,S-1531 |
| 5 | 20332 | AIR VALVE SHAFT | 17177 | 1 | | S-1529,S-1531 |

| Item | Current Part | Description | Replaced Part | Qty. | Notes | Kits/Assys Where Needed |
|------|--------------|--------------------------|---------------|------|--|------------------------------------|
| 6 | X-8-423 | CAPSCREW | | 2 | 1/4"-20X1/2" | |
| 7 | X-12-603 | PIPE PLUG | X12 602 | 1 | 3/8" NPT | |
| 8 | 20209 | GASKET | | 1 | | K-2061,S-1440,S-1441,S-1529,S-1531 |
| 9 | 20199 | PLATE | 18724 | 1 | | S-1440,S-1441,S-1529,S-1531 |
| 10 | X-3-400 | LOCKWASHER | | 2 | 1/4" | |
| 11 | X-8-406 | CAPSCREW | | 2 | 1/4"-20X3/4" | |
| 12 | 17179 | GASKET | | 1 | | S-1440,S-1441,S-1529,S-1531 |
| 13 | 4303655 | PLUG | 17178 | 1 | | S-1440,S-1441,S-1529,S-1531 |
| 14 | 22941 | NEUTRAL LIGHT SWITCH | 12639 | 1 | SWITCH NORMALLY CLOSED | |
| 15 | 20815 | LIFTING EYE | 17105 | 2 | | S-2712 |
| 16 | X-8L-602 | CAPSCREW | | 2 | 3/8"-16X1-1/2" USE W/20815 LIFTING EYES | |
| 16 | X-8L-604 | CAPSCREW | | 16 | 3/8"-16X1-1/4"- OR USE 14 PCS OF X-8L-604 WITH 2 PCS OF X-8L-602 | |
| 17 | 15899 | PIN | | 1 | | S-1440,S-1441,S-1529,S-1531 |
| 18 | 15900 | GASKET | | 1 | | S-1440,S-1441,S-1529,S-1531 |
| 19 | 22940 | REVERSE LIGHT SWITCH | 16830 | 1 | SWITCH NORMALLY OPEN | |
| 20 | 4303656 | PLUG | 15917 | 1 | | S-1440,S-1441,S-1529,S-1531 |
| 21 | 15918 | SPRING | | 3 | | K-3260,K-3272,S-1529,S-1531 |
| 22 | X-14-800 | STEEL BALL | | 3 | 1/2" | |
| 23 | 16338 | SHIFT YOKE | | 1 | REVERSE/LO | S-1529 |
| 24 | X-14-1200 | STEEL BALL | | 2 | 3/4" | |
| 25 | 15770 | SHIFT BLOCK | | 1 | 1ST/2ND | |
| 26 | 22943 | LOCKSCREW | | 1 | USE W/15770 SHIFT BLOCK | S-1529 |
| 26 | 3220 | LOCKSCREW | | 4 | | S-1529,S-1531 |
| 27 | 1634 | INTERLOCK PIN | | 1 | | K-3260,S-1529,S-1531 |
| 28 | 14912 | SHIFT BLOCK | | 1 | 3RD/DIRECT | S-1529 |
| 29 | 16136 | SHIFT YOKE | | 1 | 3RD/DIRECT | S-1529,S-1531 |
| 30 | 14909 | YOKE BAR | | 1 | 3RD/DIRECT | S-1529 |
| 31 | 16135 | SHIFT YOKE | | 1 | 1ST/2ND | S-1529,S-1531 |
| 32 | 14910 | YOKE BAR | | 1 | 1ST/2ND | S-1529 |
| 33 | 14908 | YOKE BAR | | 1 | REVERSE/LO | S-1529 |
| 34 | 10019 | PLUNGER | | 1 | | S-1219,S-1529,S-1531 |
| 35 | 6392 | SPRING | | 1 | | S-1219,S-1529,S-1531 |
| 36 | 8968 | PLUG | | 1 | | S-1219,S-1529,S-1531 |
| 999 | S-1529 | SHIFT BAR HSG ASSY - RTF | 20213 ,22956 | 1 | COMPLETE | |

Group: SLAVE VALVE - A-5000



2 Repair Kit

10120-10-97 A-5000 SV

SLAVE VALVE - A-5000

| Item | Current Part | Description | Replaced Part | Qty. | Notes | Kits/Assys Where Needed |
|------|--------------|------------------------|---------------|------|------------------|-------------------------|
| 1 | A-5000 | SLAVE VALVE ASSY | 20850 | 1 | | |
| 2 | K-1935 | REPAIR KIT-SLAVE VALVE | | 1 | FOR A-5000 VALVE | |
| 3 | 20855 | PLUG | | 1 | | A-5000 |
| 4 | 20854 | PISTON | | 1 | | A-5000 |
| 5 | 20849 | CAP | 15131 | 1 | | A-5000 |
| 7 | S-1516 | CAP ASSY | 20851 ,20853 | 1 | | |
| 8 | X-8C-413 | CAPSCREW | | 3 | 1/4"-20X1-1/2" | |