



## Eaton Fuller RTLF-14710B Transmission Parts Manual

This is Eaton Fuller RTLF-14710B Transmission parts manual brought to you by Pro Gear and Transmission to assist you identifying the parts for your Eaton / Fuller transmission unit.

If you need any assistance identifying the correct Eaton / Fuller unit for your truck and equipment, contact your Eaton replacement parts specialists at Pro Gear and Transmission.

Pro Gear stocks every part for your Eaton transmission including: Valve Assemblies, Synchronizers, Yoke Assemblies, O-Ring Kits, Drive Gears, Gaskets, Bearing and Seal Kits, and much more.

Pro Gear and Transmission has same day shipping and thousands of products in stock and ready to ship internationally for your next project.

For parts or service contact the Eaton transmission specialists at Pro Gear & Transmission, Inc.

 CALL US

 EMAIL US

 VISIT MODEL PAGE

 VISIT ONLINE STORE



**Roadranger®**

More time on the road®

# Illustrated Parts List

---

**RTL-14710B**

**November 2012**

# Contents

How To Use The Illustrated Parts List .....	3
AFTERMARKET TRANSMISSIONS.....	4
AUXILIARY DRIVE GEAR .....	5
CASE (AUX) .....	6
CASE (FRONT) .....	8
COUNTERSHAFT & BRGS(AUX) .....	11
COUNTERSHAFT ASSY.....	12
FILTER REGULATOR.....	14
HOSES & CONNECTIONS .....	15
INPUT SHAFT & DRIVE GEAR .....	17
INTEGRAL OIL PUMP .....	18
ISOLATORS .....	20
KITS & ASSEMBLIES.....	21
LEVERS/HOUSINGS.....	24
M/S ASSY (LATEST DESIGN).....	26
M/S ASSY (OLD DESIGN) .....	28
MAINSHAFT & SYNCHRO(AUX) .....	30
MISCELLANEOUS .....	32
OIL COOLER .....	33
RANGE CYLINDER.....	35
REVERSE IDLER .....	37
ROADRANGER VALVE .....	40
SHIFT BAR HOUSING (F).....	41
SPLITTER CYLINDER .....	44

## How To Use The Illustrated Parts List

The information contained in this document is subject to frequent updates. Therefore, for the latest information available, please visit the interactive Electronic Parts Catalog at [www.roadranger.com/epc](http://www.roadranger.com/epc).

### Model Designation or Nomenclature

- For information regarding Model Designation and Nomenclature, visit [www.roadranger.com](http://www.roadranger.com).

### Kits and Assemblies (K/A's)

- Kits and Assemblies contain groups of individual or assembled parts developed for optimal replacement or repair of a service problem.
- Kits and Assemblies are shown with applicable parts groupings in the parts listings.

### Identifying Kits and Assemblies

A- Part numbers beginning with the letter 'A' are pre-assembled Production Assemblies

K- Part numbers beginning with the letter 'K' are kits that are not assembled

S- Part numbers beginning with the letter 'S' are pre-assembled Service Assemblies

- Note: Some Production Assemblies do not begin with a letter prefix (Midrange only).

### Illustrations

- Illustrations show parts in assembly groups.
- Item numbers on illustrations correspond with parts listings on pages adjacent to the illustration.
- Notes are included on illustrations where additional information is needed.

### Parts Listing

Parts listings are defined by parts groupings and are broken down by service assemblies. Parts listings identify a part for servicing with the following categories

- **Item Number** - corresponding with numbers on illustrations for part identification.
- **Current Part** - identifies part as it is available for service.
- **Description** - specifies part name or description.
- **Replaced Part** - quantity quantity required for assembly.
- **Quantity** - defines unique characteristics or requirements.
- **Notes** - indicates Kits or Assemblies that contain a particular part.
- **Kits/Assy's Where Used**



BACKED BY  
**Roadranger**  
 SUPPORT



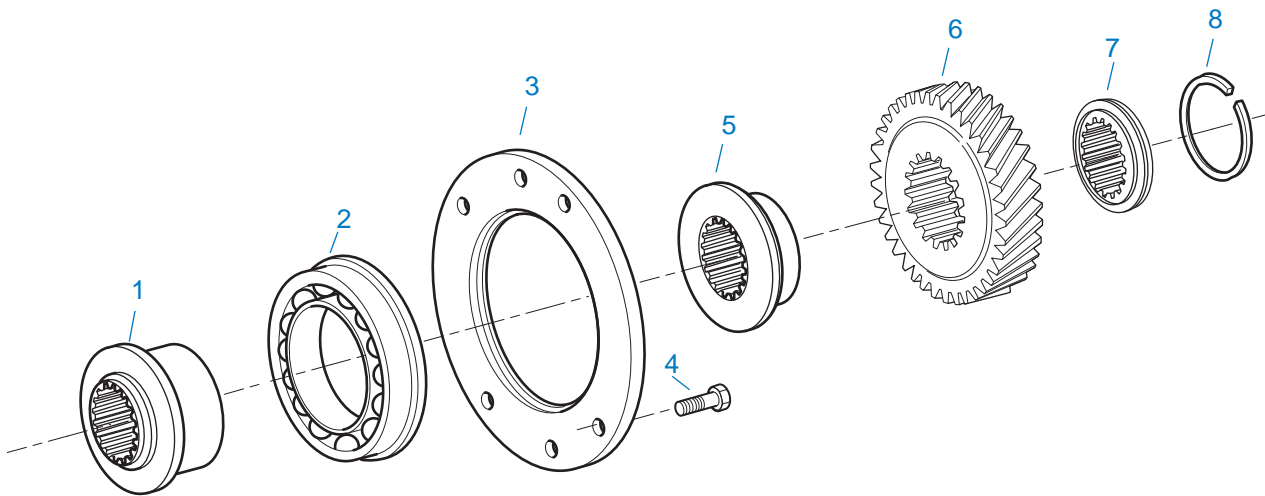
Reman Transmission

AFTMKT 09-12

Generic Illustration - Not specific to part numbers listed below

**AFTERMARKET TRANSMISSIONS**

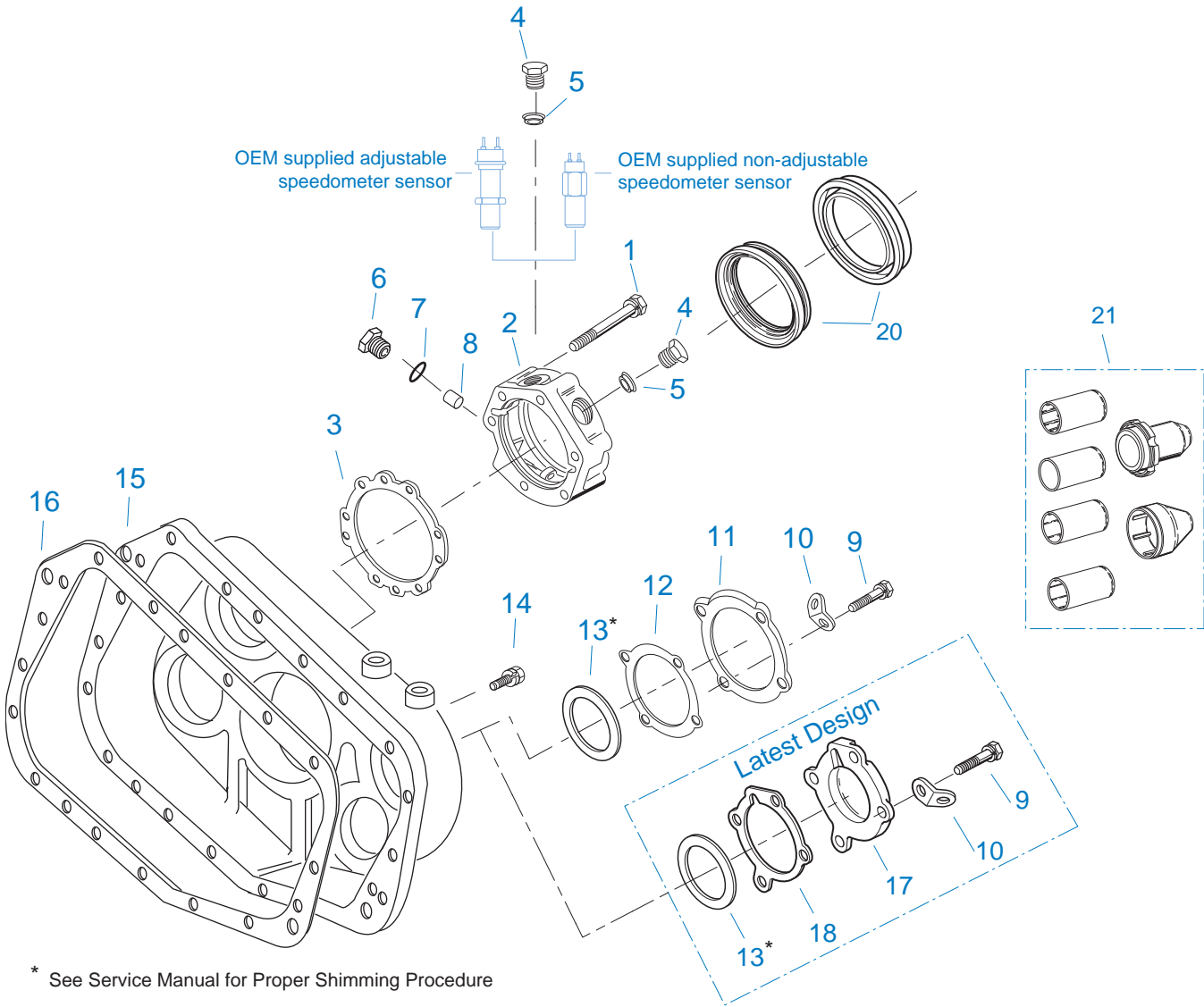
Item	Current Part	Description	Replaced Part	Qty.	Notes	Kits/Assys Where Needed
	TA-E14-12R	RTLF-14710B REMAN TRANS		1	WITH INTERNAL PUMP	
	TA-E14-12X	RTLF-14710B NEW SVC EXCH TRANS		1	WITH INTERNAL PUMP - NO CLUTCH HOUSING	



10484-6-93

## AUXILIARY DRIVE GEAR

Item	Current Part	Description	Replaced Part	Qty.	Notes	Kits/Assys Where Needed
1	4302887	SPACER		1		
2	5566507-BOX	BEARING	5566504,5566507	1		K-3553,K-3554
3	16138	BEARING RETAINER		1		
4	X-8-645	CAPSCREW	X 8 612	6	3/8"-16X1"	
5	4302888	SPACER		1		
6	4303599	AUXILIARY DRIVE GEAR	4302795 ,4303598	1		
7	4303185	WASHER	4300901	1		
8	4301254	SNAP RING		1		K-3551



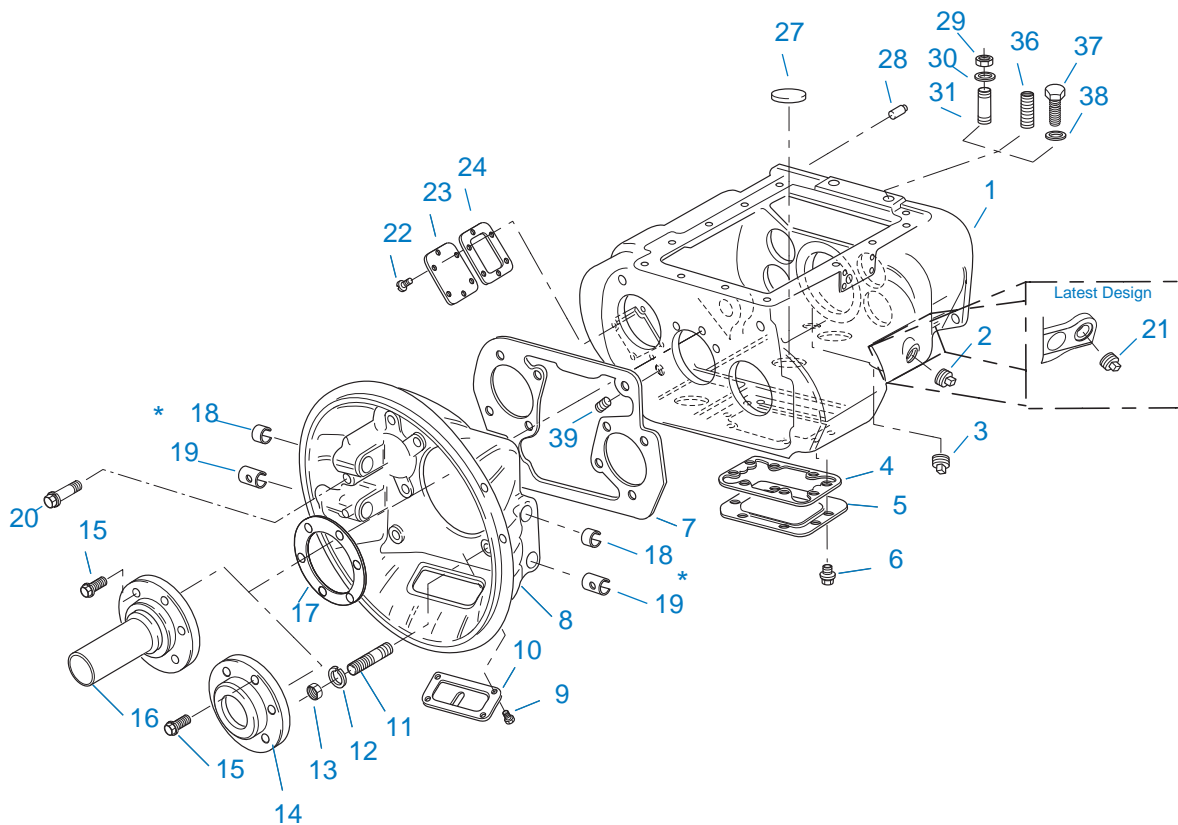
\* See Service Manual for Proper Shimming Procedure  
10405-3-99

## CASE (AUX)

Item	Current Part	Description	Replaced Part	Qty.	Notes	Kits/Assys Where Needed
1	X-8L-611	CAPSCREW		6	3/8"-16X3-1/4"	
2	S-2107	REAR BRG COVER ASSY	4300892	1		
3	21364	GASKET		1		K-2262,K-3552,S-2107
4	20224	PLUG-MAGNETIC		2		S-2107,S-2907
5	4301954	SENSOR SEAL		2		S-2107
6	20226	PLUG-MECHANICAL	2237	1		S-2107,S-2907
7	14142	-O- RING		1		S-2107,S-2907
8	7992	BUSHING		1		S-2107

Item	Current Part	Description	Replaced Part	Qty.	Notes	Kits/Assys Where Needed
9	X-8L-604	CAPSCREW		8	3/8"-16X1-1/4"	
10	20815	LIFTING EYE	17105	2		
11	4300925	REAR BEARING COVER	4300185	2	PRIOR TO SERIAL NUMBER 51129440 & PRIOR TO SERIAL NUMBERS STARTING WITH AN ALPHA CHARACTER	
12	4300186	GASKET		2	PRIOR TO SERIAL NUMBER 51129440 & PRIOR TO SERIAL NUMBERS STARTING WITH AN ALPHA CHARACTER	K-3552
13	K-2805	SHIM KIT	21452 K - 2106	1		K-3553,K-3554,S-2907
14	X-8L-602	CAPSCREW		17	3/8"-16X1-1/2"	
14	X-8L-614	CAPSCREW		2	3/8"-16X2"	
15	4300917	REAR HOUSING		1	PRIOR TO SERIAL NUMBER 51129440 & PRIOR TO SERIAL NUMBERS STARTING WITH AN ALPHA CHARACTER	
15	4303588	REAR HOUSING		1	BEGINNING W/SERIAL NUMBER 51129440 & ALL SERIAL NUMBERS STARTING WITH AN ALPHA CHARACTER	
16	14335	GASKET		1		K-3552,S-2907
17	4302320	COVER	21346	2	BEGINNING W/SERIAL NUMBER 51129440 & ALL SERIAL NUMBERS STARTING WITH AN ALPHA CHARACTER	S-2907
18	4305978	GASKET	4302246	1	BEGINNING W/SERIAL NUMBER 51129440 & ALL SERIAL NUMBERS STARTING WITH AN ALPHA CHARACTER	K-3552,S-2907
20	K-2262	OIL SEAL W/SLINGER	19109 20807 20808	1	"FOR MECHANICAL COVER"	K-3553,K-3554
21	K-3651	OIL SEAL TOOL KIT		1		





10300-6-92 Iron/Alum Hsg

\* Bushing quantity requirements: #1 Housing – Upper bore use 4 #12815 / Lower bore use 2 #8677.

#2 Housing – Upper bore use 2 #12815 and 1 #8677 / Lower bore use 2 #8677.

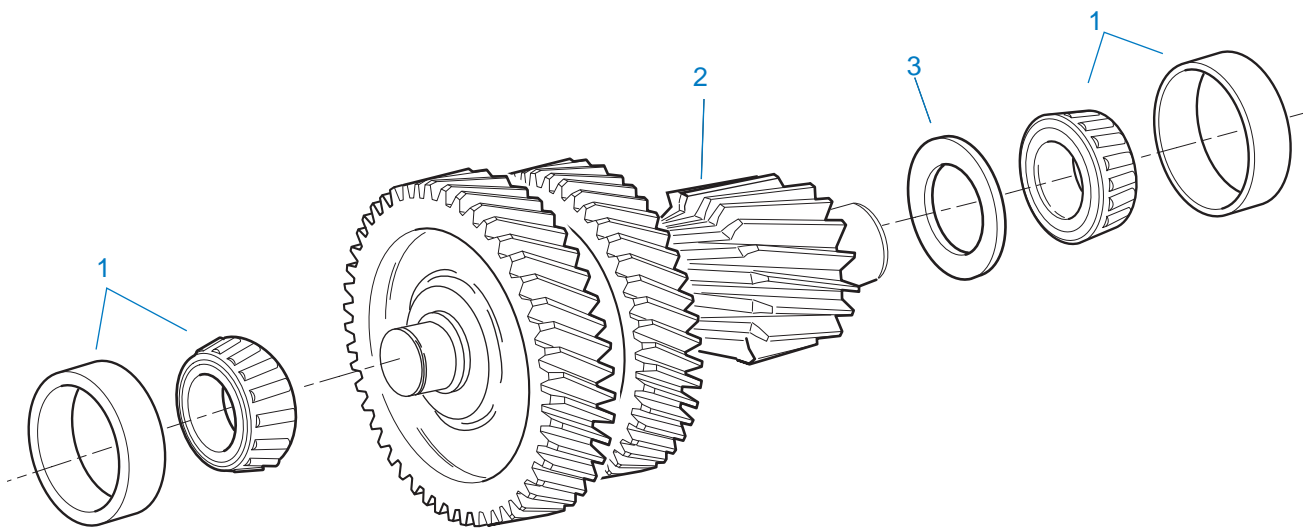
Note: Some part requirements are specific to #1 or #2 Aluminum or Iron Clutch Housings and Push or Pull type Clutch.

## CASE (FRONT)

Item	Current Part	Description	Replaced Part	Qty.	Notes	Kits/Assys Where Needed
1	S-2406	CASE ASSY	4303074	1		
2	X-12-2007	PIPE PLUG	X12 2006	1		
3	X-12-1207	PIPE PLUG	X12 1202 ,X12 1206	1	3/4" MAGNETIC	
4	4305310	GASKET	4302810	1		K-3552
5	4302809	PTO COVER	16596 ,4300571	1		
6	X-8-725	CAPSCREW	X 8 724	8	7/16"-14X7/8"	
7	4306584	CLUTCH HOUSING GASKET	4304815,4305668	1		K-3552
8	A-3713	CLUTCH HOUSING ASSY	A - 3700	1	#1 PUSH-PULL IRON	
8	A-3723	CLUTCH HOUSING ASSY	A - 3721 ,A - 3722	1	#2 PUSH-PULL IRON	
8	A-4772	CLUTCH HOUSING ASSY	A - 4344 ,A - 4771	1	#2 PUSH-PULL ALUM.	
8	A-5992	CLUTCH HOUSING ASSY	4301103	1	#1 PULL ALUM.(SPECIAL-LIGHTER	

Item	Current Part	Description	Replaced Part	Qty.	Notes	Kits/Assys Where Needed
					WEIGHT)	
8	A-6064	CLUTCH HOUSING ASSY	A - 4342 ,A - 4770 ,A - 6062 ,A - 6063 ,A - 6065	1	#1 PUSH-PULL ALUM.	
9	239614	SCREW	X-8L-509	4	5/16-18X.81 QUANTITY DEPENDENT ON DESIGN	
10	14506	HAND HOLE COVER		1	#2 PUSH	
10	14507	HAND HOLE COVER		1	#2 PULL	
10	4305230	HAND HOLE COVER	11453	1	#1 PULL	
10	4305231	HAND HOLE COVER	1565	1	#1 PUSH	
11	4306583	STUD	5966	6		
12	X-10-1005	WASHER	X 3 1000 ,X10 1000 ,X10 1004	6	1.23 X 6.60	
13	X-1-1012	HEX NUT	X-1-1005	6	.625-18	
14	20550	FRONT BRG COVER		1	2" PULL	K-2468,K-4125
15	X-8L-604	CAPSCREW		6	3/8"-16X1-1/4"	
16	20549	FRONT BRG COVER		1	2" PUSH	
17	14311	GASKET		1		K-3552
18	12815	BUSHING		2	FOR #2 HOUSING UPPER	A-3713,A-3723,A-4772,A-5992,A-6064,K-2468
18	12815	BUSHING		4	FOR #1 HOUSING UPPER	A-3713,A-3723,A-4772,A-5992,A-6064,K-2468
18	8677	BUSHING		1	FOR #2 HOUSING UPPER	A-3713,A-3723,A-4772,A-6064
19	8677	BUSHING		2	FOR #1 AND #2 HOUSING LOWER	A-3713,A-3723,A-4772,A-6064
20	X-8C-830	HEX HEAD SCREW/WASHER ASSY	X-8C-826	4	.500-13 X 1.490, USE 2 PCS FOR IRON HOUSING, USE 4 PCS FOR ALUMINUM HOUSING	
20	X-8C-831	HEX HEAD SCREW/WASHER ASSY	X-8C-822	2	.500-13 X 3.460, FOR IRON HOUSING	
21	4304023	PLUG	4303747	1	1-1/16" MAGNETIC, O-RING INCLUDED	S-2406
22	X-8-686	CAPSCREW		6	3/8"-16X3/4"	
23	14575	PTO COVER	4302254	1		
24	4305309	GASKET	1684	1		K-3552
27	14373	MAGNET		3		S-2406

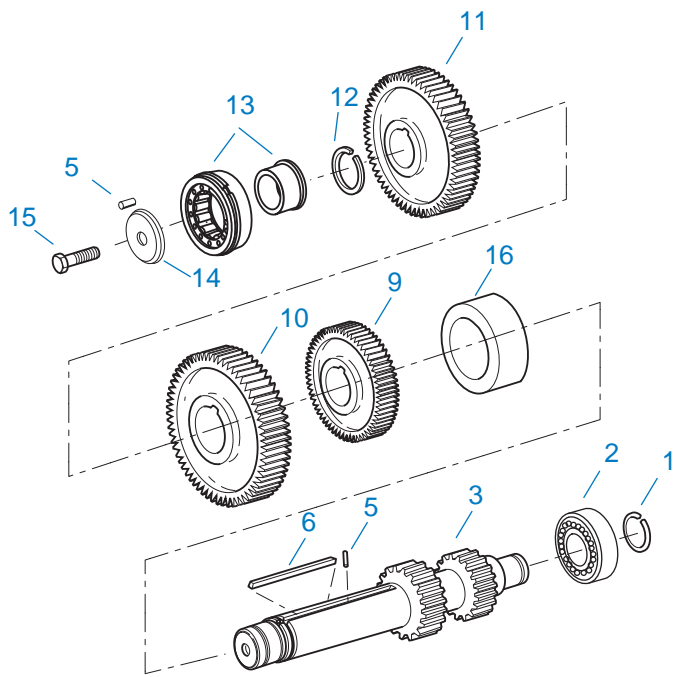
Item	Current Part	Description	Replaced Part	Qty.	Notes	Kits/Assys Where Needed
28	18128	PIN		2		
29	X-1-1012	HEX NUT		2	.625-18	
30	X-10-1005	WASHER	X 3 1000 ,X10 1000 ,X10 1004	2	1.23 X 6.60	
31	14554	STUD	1632 ,6579	2	5/8" X 2-3/16"	
36	23104	PLUG	1712	2		
37	X-8-1005	CAPSCREW		2	5/8"-11X1-1/4"	
38	20814	SPACER		2		
39	X-12-802	PIPE PLUG	X12 800	1	1/2"	



10444-5/93 CS Helical

### COUNTERSHAFT & BRGS(AUX)

Item	Current Part	Description	Replaced Part	Qty.	Notes	Kits/Assys Where Needed
1	4302074-BOX	BEARING	21343,4302074	4		K-3553,K-3554
2	A-6498	COUNTERSHAFT ASSY	A - 6548	2	C/S 4302882 - D/G 4302793 S/G 4302794	
3	21342	SPACER		2		

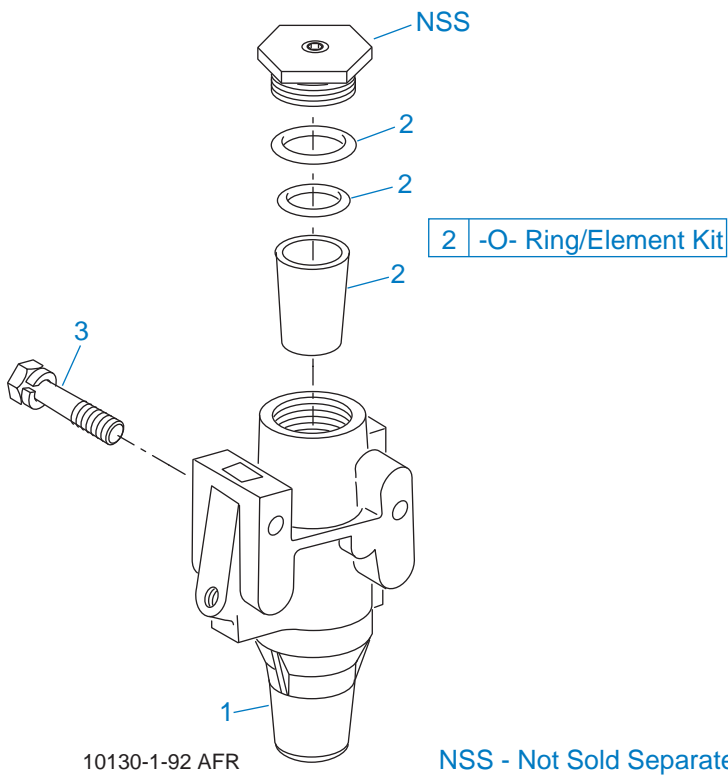


10343-11/92 CS-LO Inertia

## COUNTERSHAFT ASSY

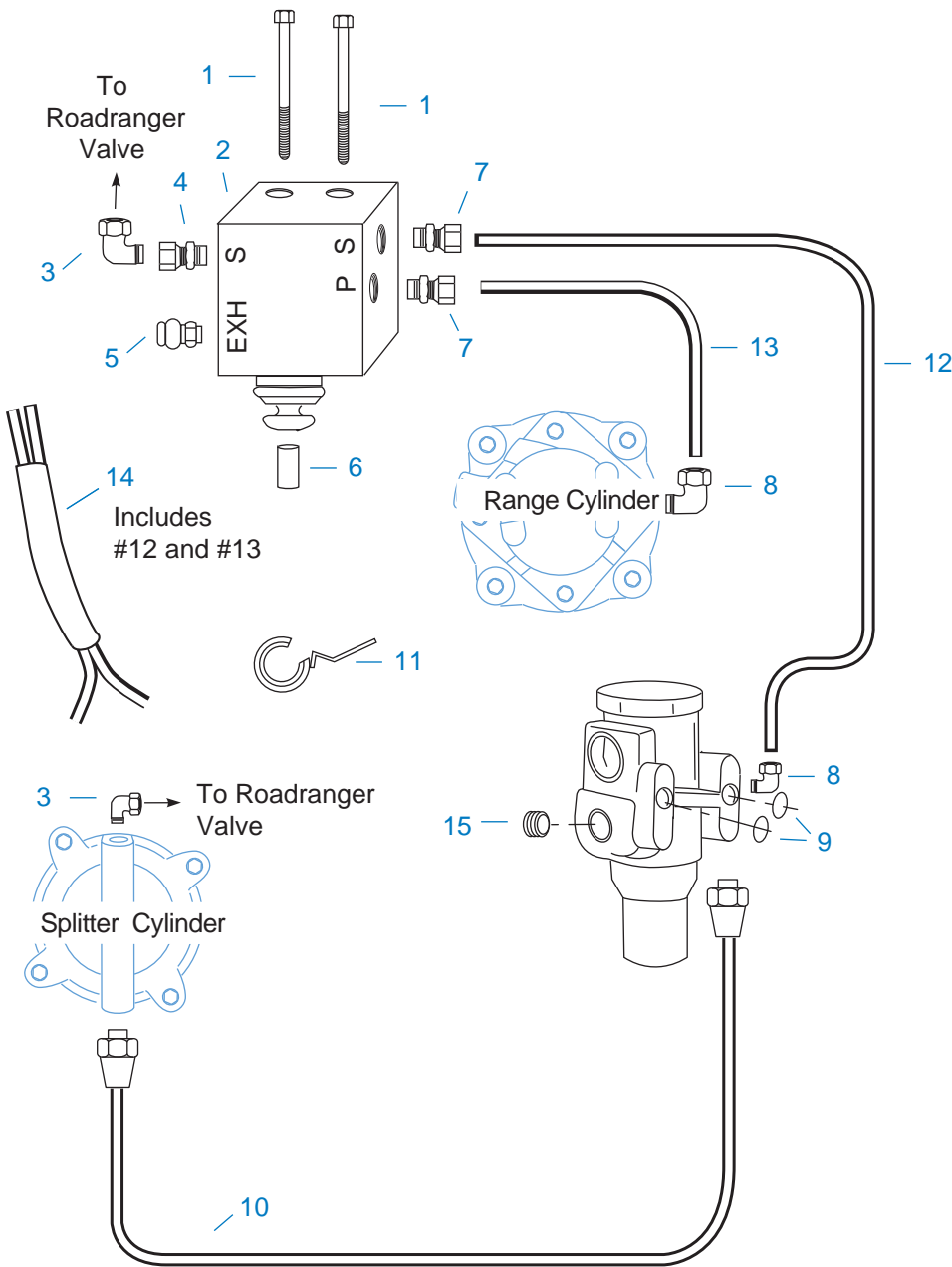
Item	Current Part	Description	Replaced Part	Qty.	Notes	Kits/Assys Where Needed
1	14317	SNAP RING		2		K-3551,K-3553,K-3554
2	14366	BEARING		2		K-3553,K-3554
3	K-2932	CNTRSHFT W/REV & LO	4301395 ,4303966 ,4303967	2		
5	62511	ROLL PIN		4	ROLL PINS NO LONGER REQUIRED	S-2484,S-2486
6	4303968	KEY		2		
9	4303961	2ND GEAR-CNTRSHFT	4303960	2		
10	15953	PTO GEAR - LOWER		1		
10	20840	PTO GEAR - UPPER	15952	1		
11	21586	DRIVE GEAR-CNTRSHFT	22271	2		
12	19198	SNAP RING		2		
13	4304599	BEARING	4302677 ,4304598	2		K-3553,K-3554
14	4304605	RETAINER	19548	2		
15	X-7-1005	CAPSCREW		2	5/8"-18X1-3/4"	
16	4303964	SPACER		2		





## FILTER REGULATOR

Item	Current Part	Description	Replaced Part	Qty.	Notes	Kits/Assys Where Needed
1	K-2170	FILTER REG KIT	A - 5454	1		
2	K-1698	-O- RING/ELEMENT KIT		1	FOR FILTER REGULATOR	
3	X-8C-412	CAPSCREW	X 8S 412	2	1/4"-20X2-1/4"	



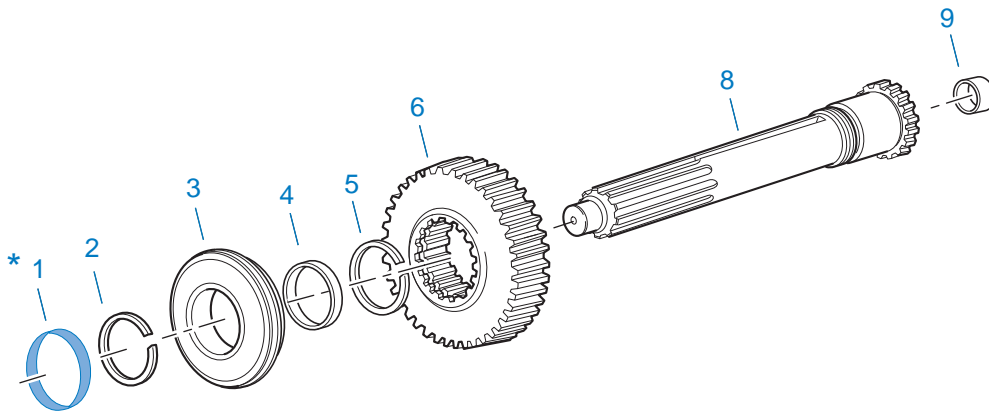
10117A-06-01

## HOSES & CONNECTIONS

Item	Current Part	Description	Replaced Part	Qty.	Notes	Kits/Assys Where Needed
1	X-8C-411	CAPSCREW		2	1/4"-20X1-3/4"	
2	4303110	RANGE VALVE ACTUATOR		1		
3	85003	ELBOW ASSY		2	"PUSH-TO-CONNECT" 5/32" TUBE-1/8" NPTF	K-3331,K-3334,K-3554,S-2486
4	4302479	ADAPTER-PIPE 1/8 X 1/8		1		



Item	Current Part	Description	Replaced Part	Qty.	Notes	Kits/Assys Where Needed
5	7935	BREATHER		1		
6	4301989	PIN	22813	1		
7	84006	CONNECTOR ASSY		2	"PUSH-TO-CONNECT" 5/32" TUBE-1/8" NPTF	S-2486
8	85003	ELBOW ASSY		2	"PUSH-TO-CONNECT" 5/32" TUBE-1/8" NPTF	K-3331,K-3334,K-3554,S-2486
9	15114	-O- RING		2		K-2170,K-3334,K-3552
10	55527	HOSE ASSY		1	15"	
11	19727	HOSE CLAMP		2		S-2486
12	75120	NYLON TUBE		1	5/32"	
13	75320	NYLON TUBE	5546014	1	5/32"	
14	52601	HARNESS TUBING RD & BLK	52600 ,5549034 ,5549035	1		
15	X-12-208	PIPE PLUG		1	1/8" NPT	



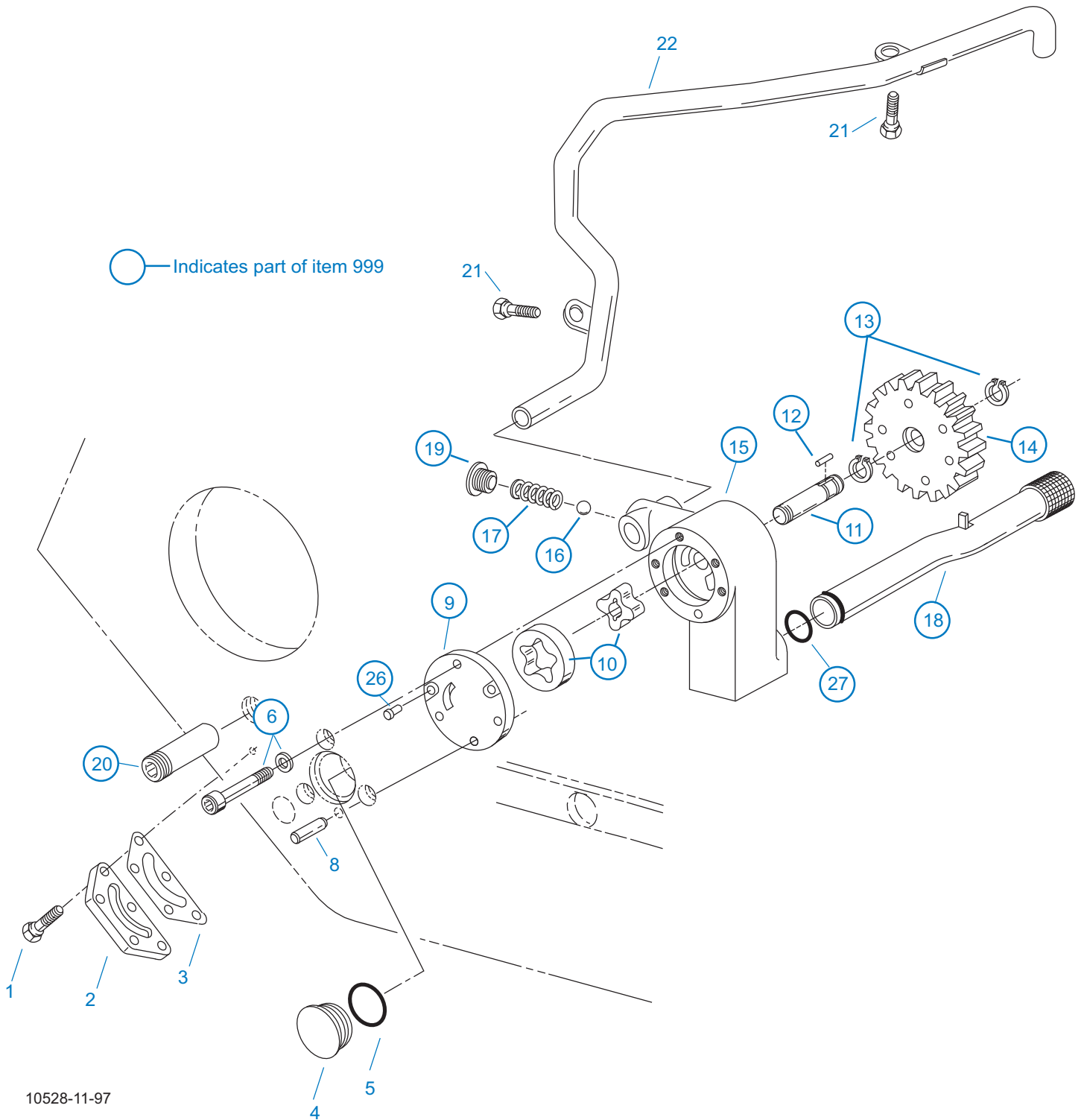
\* For Shipping Only -- Do Not Replace

\*

10370-1/92 IS

### INPUT SHAFT & DRIVE GEAR

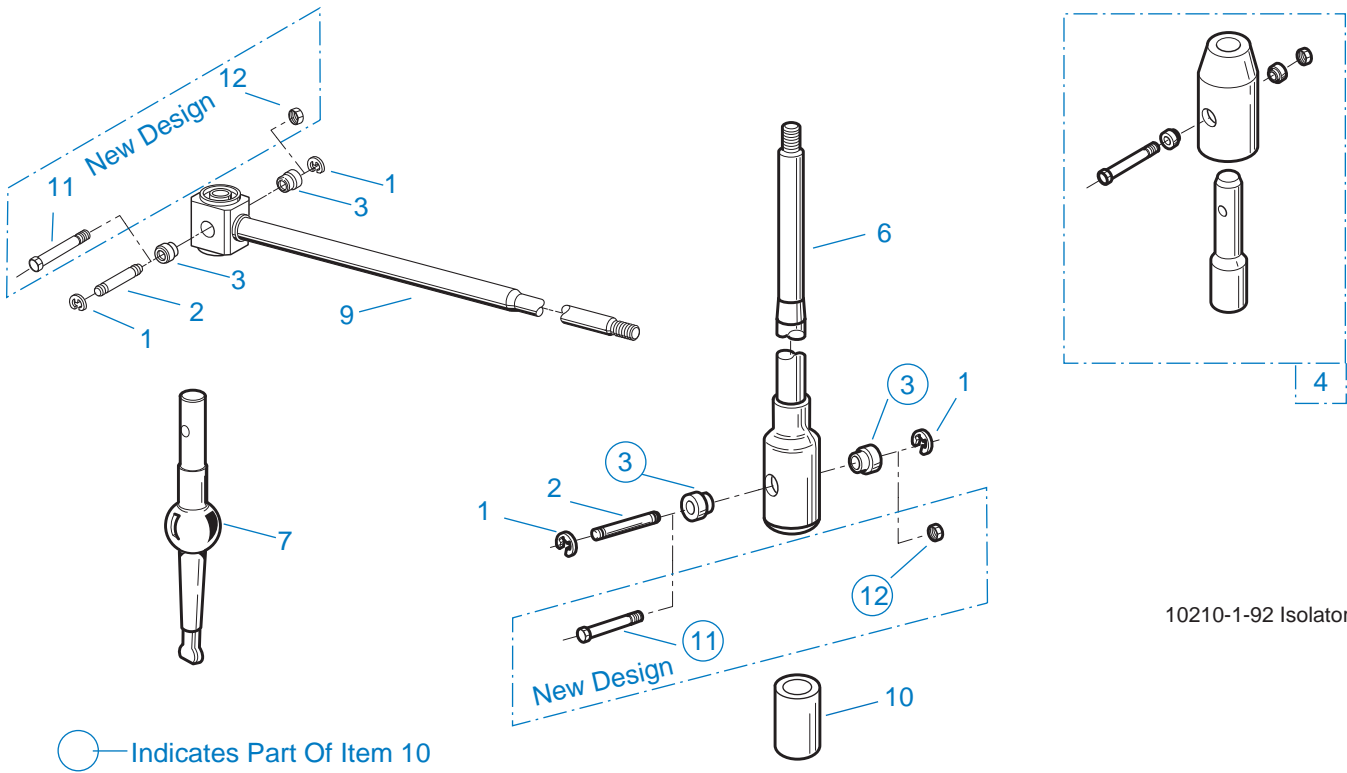
Item	Current Part	Description	Replaced Part	Qty.	Notes	Kits/Assys Where Needed
1	23559	SEAL		1	NOT SOLD FOR SERVICE	
2	16980	SNAP RING		1		K-2468,K-3551,K-3553,K-3554,K-4125
3	81504	BEARING		1		K-2468,K-3553,K-3554,K-4125
4	16463	SPACER		1		
5	14750	SNAP RING		1		K-2468,K-3551,K-3553,K-3554,K-4125
6	20458	MAIN DRIVE GEAR	19630	1		
8	S-1659	INPUT SHAFT	20535 23566 ,4302661	1	2" PULL - USE W/FBC 20550	K-2468,K-3554,K-4125
8	S-1660	INPUT SHAFT	20536 ,23567	1	2" PUSH - USE W/FBC 20549	
9	16566	BUSHING		1		K-3553,S-1659,S-1660



## INTEGRAL OIL PUMP

Item	Current Part	Description	Replaced Part	Qty.	Notes	Kits/Assys Where Needed
1	X-8C-409	CAPSCREW		5	1/4"-20X5/8"	
2	K-2402	COVER & SCREW KIT	20513 ,4300751	1		

Item	Current Part	Description	Replaced Part	Qty.	Notes	Kits/Assys Where Needed
3	20514	GASKET		1		K-2402
4	20823	PLUG		1		
5	14765	-O- RING		1		K-2297,K-2298
6	K-4126	FASTENER KIT	20824, X-8-448	1	KIT CONTAINS 3 FASTENERS AND 3 WASHERS	K-3367
8	20825	DOWEL PIN		1		
9	4303773	RETAINER		1		
10	K-3367	OIL PUMP KIT	4301829 ,4301948 ,4303776 ,4304529 ,4304572 A - 6963 ,A - 7173	1		
11	K-3367	OIL PUMP KIT	4301829 ,4301948 ,4303776 ,4304529 ,4304572 A - 6963 ,A - 7173	1		
12	20509	KEY		1		
13	14853	SNAP RING		2		
14	4303774	PUMP DRIVE GEAR	4304880	1		
15	K-3367	OIL PUMP KIT	4301829 ,4301948 ,4303776 ,4304529 ,4304572 A - 6963 ,A - 7173	1		
16	X-14-700	STEEL BALL		1	7/16"	
17	4303775	SPRING		1		
18	4305713	SUCTION TUBE	4304628	1	O-RING INCLUDED ON SUCTION TUBE	K-3367
19	4304629	PLUG		1		
20	4303828	PLUG		1		K-3367
21	X-8-686	CAPSCREW		2	3/8"-16X3/4"	
22	4305715	SPLITTER LUBE TUBE	A - 7197	1		
26	X-8-447	SCREW		2		
27	20225	-O- RING		1		
999	K-3367	OIL PUMP KIT	4301829 ,4301948 ,4303776 ,4304529 ,4304572 A - 6963 ,A - 7173	1		



10210-1-92 Isolator

## ISOLATORS

Item	Current Part	Description	Replaced Part	Qty.	Notes	Kits/Assys Where Needed
1	19124	-E- RING		2		
2	K-3467	PIN REPLACEMENT KIT	21245	1		
3	21246	BUSHING		2		K-2003,K-2428,K-2429,K-2978,K-3399,S-2129,S-2130,S-2519
4	S-1794	ISOLATOR ASSY		1		
6	21247	LEVER		1	STRAIGHT 18.67"	
7	21235	STUB LEVER		1	LOW TOWER	K-2428
7	21236	STUB LEVER		1	HIGH TOWER	K-2429,S-2130
7	4301168	STUB LEVER		1	MID TOWER	K-2978
9	21767	90 DEG LEVER		1	STRAIGHT 33"	
10	K-3399	ISOLATOR BUSHING KIT	21244 ,23311	1		
11	X-8-560	SCREW		1		K-2003
12	X-9-503	NUT		1		K-2003

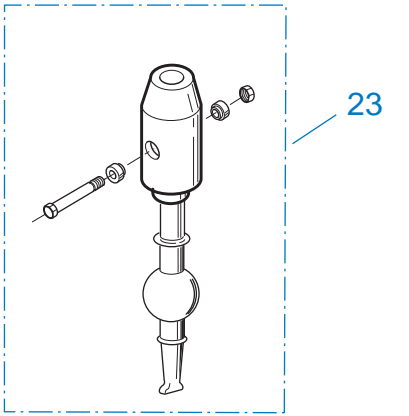
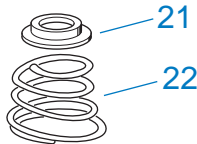
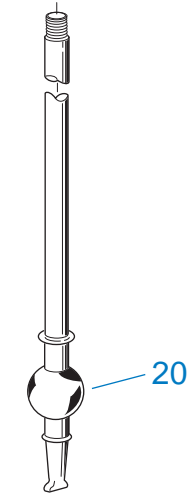
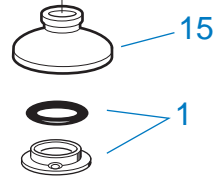
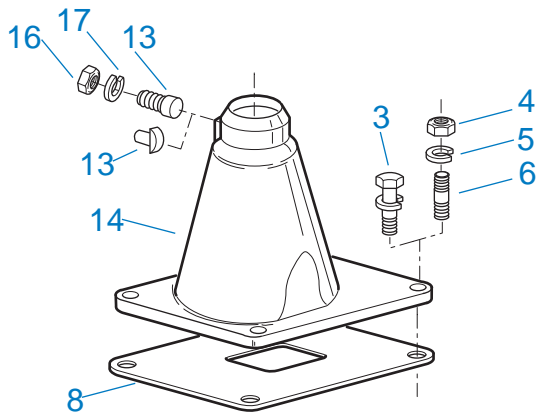
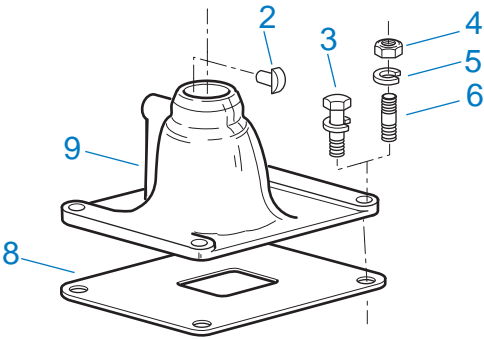
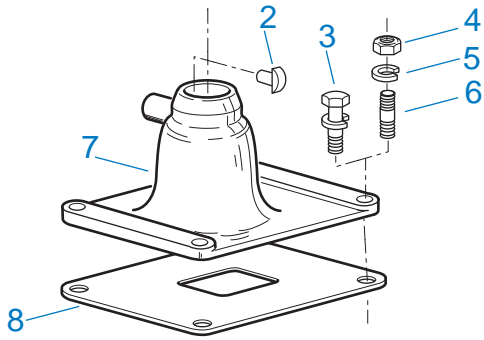
## KITS & ASSEMBLIES

Item	Current Part	Description	Replaced Part	Qty.	Notes	Kits/Assys Where Needed
K-1476		SHIFT LEVER HSG	4530 ,17163 ,18298 ,4304905 ,A - 4437	1	LOW TOWER	
K-1698		-O- RING/ELEMENT KIT		1	FOR FILTER REGULATOR	
K-1956		COOLER INSTLN KIT		1		
K-2003		PIN & BUSHING KIT		1		
K-2078		-O- RING KIT - SPLITTER		1	SPLITTER	
K-2170		FILTER REG KIT	A - 5454	1		
K-2262		OIL SEAL W/SLINGER	19109 20807 20808	1	"FOR MECHANICAL COVER"	K-3553,K-3554
K-2297		-O- RING KIT - RANGE		1	RANGE	
K-2298		-O- RING KIT - COMPLETE		1	COMPLETE	K-3553,K-3554
K-2347		MASTER VALVE REPAIR KIT		1	FOR A-5510 VALVE	
K-2394		AIR SYSTEMS TOOL KIT		1		
K-2402		COVER & SCREW KIT	20513 ,4300751	1		
K-2428		LEVER REPLACEMENT KIT		1	LOW TOWER	
K-2429		LEVER REPLACEMENT KIT		1	HIGH TOWER	
K-2439		KEY & WASHER KIT		1	CONTAINS 3-SIDED KEY	
K-2468		CLUTCH INSTALLATION KIT		1	FOR USE WITH S-1659 INPUT SHAFT ASSY AND 81504 INPUT SHAFT BEARING	
K-2805		SHIM KIT	21452 K - 2106	1		K-3553,K-3554,S-2907
K-2932		COUNTERSHAFT REPL KIT	4301395 ,4303966 ,4303967	1		
K-2973		SHIFT LEVER HSG KIT	17166 ,17167 ,4303050 ,4304910 ,K - 1630 K - 1941	1	HIGH TOWER	
K-2977		SHIFT LEVER HSG KIT	4301167 ,4304907 ,A - 6040	1	MID TOWER	
K-2978		LEVER REPLACEMENT KIT		1	MID TOWER	
K-3190		MASTER VALVE REPAIR KIT		1	FOR A-6910 VALVE	
K-3331		SPLITTER VLV REPL KIT	4303660,K-3332	1		

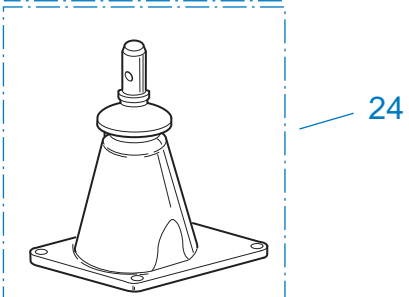
Item	Current Part	Description	Replaced Part	Qty.	Notes	Kits/Assys Where Needed
	K-3334	RANGE VALVE REPL KIT	A - 6864	1		
	K-3367	OIL PUMP KIT	4301829 ,4301948 ,4303776 ,4304529 ,4304572 A - 6963 ,A - 7173	1		
	K-3376	O-RING & WASHER KIT	4301211	1		
	K-3377	MAINSHAFT REPL KIT	4302977 ,4303172 ,S - 2617	1		
	K-3399	ISOLATOR BUSHING KIT	21244 ,23311	1		
	K-3467	PIN REPLACEMENT KIT	21245	1		
	K-3492	SYNCHRONIZER KIT	K - 2446	1		
	K-3497	SYNCHRONIZER REPLACEMENT KIT	K - 3200	1	SLIDING CLUTCH INCLUDED IN KIT	
	K-3551	SMALL PARTS KIT		1		
	K-3552	GASKET KIT		1		K-3553,K-3554
	K-3553	BASIC REBUILD KIT		1		
	K-3554	BASIC OVERHAUL KIT		1		
	K-3651	OIL SEAL TOOL KIT		1		
	K-4125	CLUTCH INSTALLATION KIT (RT), HYDRAULIC RELEASE		1	STANDARD RT INPUT SHAFT AND YOKE FOR HYDRAULIC CLUTCH RELEASE	
	S-1404	OIL FILTER	17238	1		
	S-1659	INPUT SHAFT	20535 23566 4302661	1	2" PULL - USE W/FBC 20550	K-2468,K-3554,K- 4125
	S-1660	INPUT SHAFT	20536 ,23567	1	2" PUSH - USE W/FBC 20549	
	S-1786	SHIFT YOKE ASSY	22801	1		
	S-1794	ISOLATOR ASSY		1		
	S-2058	SHIFT BAR HSG ASSY (STD)	22800 ,4301786 ,S - 1968	1	COMPLETE - FOR USE W/SHIFT LEVER	
	S-2073	SHIFT BAR HSG ASSY (STD)	4301786	1	HOUSING ONLY	
	S-2107	REAR BRG COVER ASSY	4300892	1		
	S-2129	SHIFT LEVER HSG ASSY		1	LOW TOWER	
	S-2130	SHIFT LEVER HSG ASSY	S - 2053	1	HIGH TOWER	
	S-2406	CASE ASSY	4303074	1		
	S-2484	SHIFT BAR HSG ASSY (F)	4303112	1	HOUSING ONLY	
	S-2486	SHIFT BAR HSG ASSY	4303112 ,S - 2416	1	COMPLETE	

Item	Current Part	Description	Replaced Part	Qty.	Notes	Kits/Assys Where Needed
		(F)				
	S-2519	SHIFT LEVER HSG ASSY	S - 2919	1	MID TOWER	
	S-2568	ROADRANGER VALVE ASSY		1	RTLO - W/SHIFT DIAGRAM MEDALLION	
	S-2907	RANGE SECTION ASSY		1		
	S-2907R	REMAN RANGE SECTION ASSY		1		
	S-3108	MAINSHAFT ASSY	4303402,4303403,S-2562,S-3101	1		K-3377

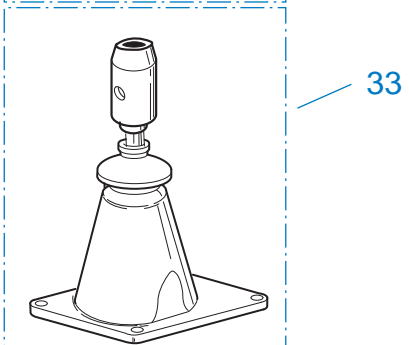




K-2428 - Low  
K-2978 - Mid  
K-2429 - High



S-1677 - Low  
S-1967 - Mid  
S-1579 - High



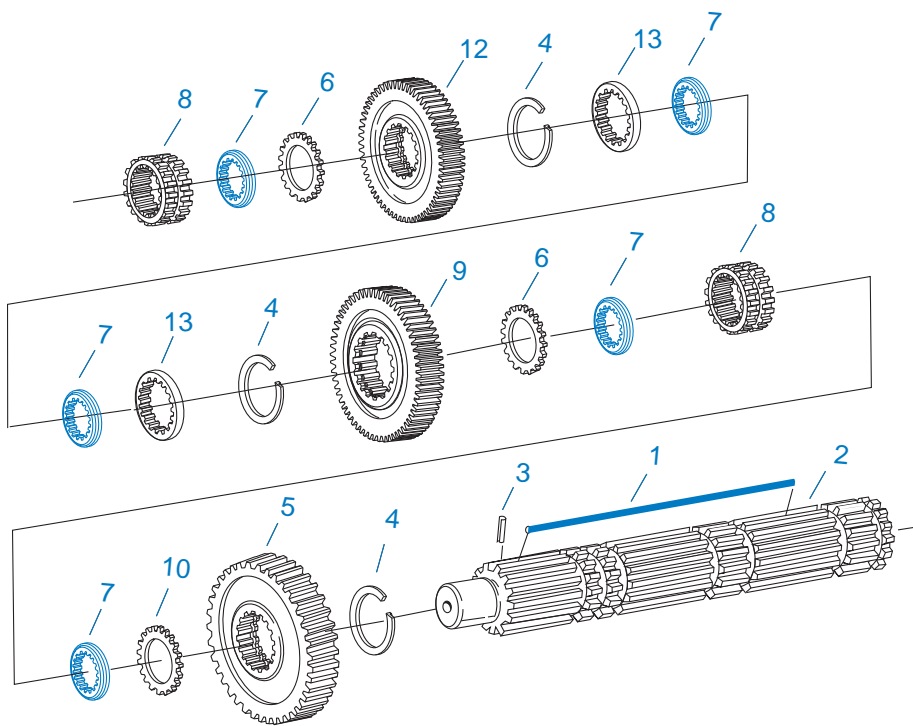
S-2129 - Low  
S-2519 - Mid  
S-2130 - High

10207-9-95

## LEVERS/HOUSINGS

Item	Current Part	Description	Replaced Part	Qty.	Notes	Kits/Assys Where Needed
1	K-3376	O-RING & WASHER KIT	4301211	1		
2	18299	PIN		1		K-1476,K-2977
3	X-8C-604	CAPSCREW		4	3/8"-16X1-1/4"	

Item	Current Part	Description	Replaced Part	Qty.	Notes	Kits/Assys Where Needed
4	X-1-600	NUT		4	3/8"-24-N.F.PLAIN	
5	X-3-600	LOCKWASHER		4	3/8"	
6	11934	STUD	7467	4		
7	K-1476	SHIFT LEVER HSG	4530 ,17163 ,18298 ,4304905 ,A - 4437	1	LOW TOWER	
8	4303432	GASKET	22799	1		K-3552
9	K-2977	SHIFT LEVER HSG KIT	4301167 ,4304907 ,A - 6040	1	MID TOWER	
13	4303030	PIN		1		K-2973,S-2130
13	6541	PIN		1	3/8" - USED W/17167 ONLY	
14	K-2973	SHIFT LEVER HSG KIT	17166 ,17167 ,4303050 ,4304910 ,K - 1630 K - 1941	1	HIGH TOWER	
15	10427	BOOT		1		K-1476,K-2973,K- 2977,S-2130
16	X-1-600	NUT		1	3/8"-24-N.F.PLAIN	
17	X-3-600	LOCKWASHER		1	3/8"	
20	17600	GEAR SHIFT LEVER		1	STRAIGHT - LOW 21-1/2"	
20	18482	GEAR SHIFT LEVER		1	STRAIGHT - HIGH 35"	
21	2538	RETAINER		1		K-1476,K-2973,K- 2977,S-2130
22	2536	SPRING		1		K-1476,K-2973,K- 2977,S-2130
23	K-2428	LEVER REPLACEMENT KIT		1	LOW TOWER	
23	K-2429	LEVER REPLACEMENT KIT		1	HIGH TOWER	
23	K-2978	LEVER REPLACEMENT KIT		1	MID TOWER	
33	S-2129	SHIFT LEVER HSG ASSY		1	LOW TOWER	
33	S-2130	SHIFT LEVER HSG ASSY	S - 2053	1	HIGH TOWER	
33	S-2519	SHIFT LEVER HSG ASSY	S - 2919	1	MID TOWER	

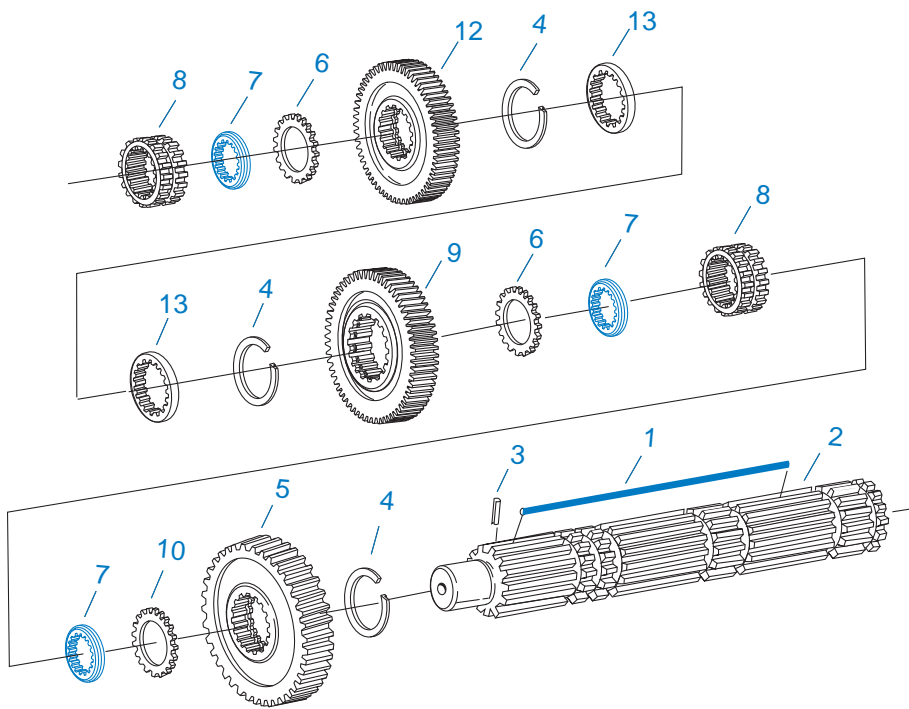


10339A-11-01

### M/S ASSY (LATEST DESIGN)

Item	Current Part	Description	Replaced Part	Qty.	Notes	Kits/Assys Where Needed
1	4304615	3-SIDED KEY	4300120	1		K-2439,K-3377,K-3551
1	K-2439	KEY & WASHER KIT		1	CONTAINS 3-SIDED KEY	
2	S-3108	MAINSHAFT ASSY	4303402, 4303403, S-2562,S-3101	1		K-3377
3	62504	ROLL PIN		1		S-3108
4	14750	SNAP RING		3		K-2468,K-3551,K-3553,K-3554,K-4125
5	16756	REVERSE GEAR-MAINSHAFT	22408	1		
6	14749	SPACER		2		K-3551
7	4300382	WASHER .249-WHITE		5		K-2439,K-3551
7	4300383	WASHER .254-GREEN		5	OPTIONAL 4300382-4300387 OR 4300830 USE ANY 5 WASHERS. USE WITH 3-SIDED KEY	K-2439,K-3551
7	4300384	WASHER .259-ORANGE		5	OPTIONAL 4300382-4300387 OR 4300830 USE ANY 5 WASHERS. USE WITH 3-SIDED KEY	K-2439,K-3551
7	4300385	WASHER .264-PURPLE		5	OPTIONAL 4300382-4300387 OR 4300830 USE ANY 5 WASHERS.	

Item	Current Part	Description	Replaced Part	Qty.	Notes	Kits/Assys Where Needed
					USE WITH 3-SIDED KEY	
7	4300386	WASHER .269-YELLOW		5	OPTIONAL 4300382-4300387 OR 4300830 USE ANY 5 WASHERS. USE WITH 3-SIDED KEY	
7	4300387	WASHER .274-BLACK		5	OPTIONAL 4300382-4300387 OR 4300830 USE ANY 5 WASHERS. USE WITH 3-SIDED KEY	
7	4300830	WASHER .244-BLUE		5		K-2439,K-3377,K-3551
8	16118	SLIDING CLUTCH		2		K-3554
9	4301396	LO GEAR-MAINSHAFT	4301519	1		
10	4302047	SPACER		1		
12	4303969	3RD GEAR-MAINSHAFT	4301394 ,4301517	1		
13	16288	SPACER		2		K-3377,K-3551

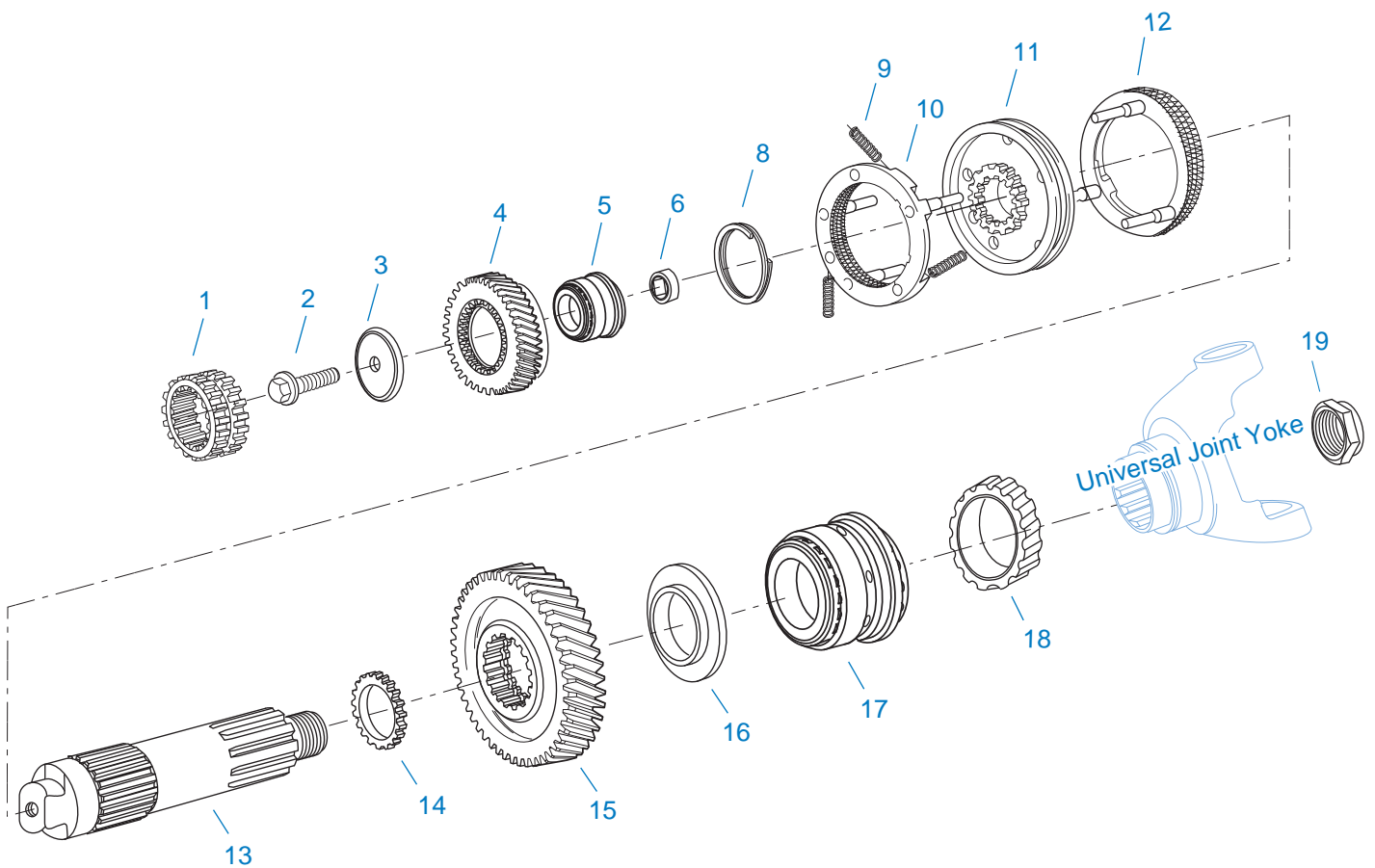


10339-11-01 MS - LO Inertia

### M/S ASSY (OLD DESIGN)

Item	Current Part	Description	Replaced Part	Qty.	Notes	Kits/Assys Where Needed
1	4304615	3-SIDED KEY	4300120	1		K-2439,K-3377,K-3551
2	K-3377	MAINSHAFT REPL KIT	4302977 ,4303172 ,S - 2617	1		
3	62504	ROLL PIN		1		S-3108
4	14750	SNAP RING		3		K-2468,K-3551,K-3553,K-3554,K-4125
5	16756	REVERSE GEAR-MAINSHAFT	22408	1		
6	14749	SPACER		2		K-3551
7	4300382	WASHER .249-WHITE		3	NO OPTIONS	K-2439,K-3551
8	16118	SLIDING CLUTCH		2		K-3554
9	4301396	LO GEAR-MAINSHAFT	4301519	1		
10	4302047	SPACER		1		
12	4303969	3RD GEAR-MAINSHAFT	4301394 ,4301517	1		
13	K-3377	MAINSHAFT REPL KIT	4302977 ,4303172 ,S - 2617	2		





10438-12-97 Aux MS

## MAINSHAFT & SYNCHRO(AUX)

Item	Current Part	Description	Replaced Part	Qty.	Notes	Kits/Assys Where Needed
1	4303391	SLIDING CLUTCH		1		
2	X-7-1007	SCREW		1	5/8"-18X1-3/4"	
3	4301843	RETAINER		1		
4	4302798	SPLITTER GEAR	4302973	1		
5	4300902-BOX	TAPERED ROLLER BRG	4300902	1		K-3553,K-3554
6	4301844	BEARING SLEEVE		1		
8	4303424	SNAP RING		1		K-3551
9	14897	SPRING		3		K-3492,K-3497,K-3551,K-3553,K-3554
10	A-7331	SYNCHRONIZER ASSY	4304396 4304397 A - 5917	1	HI RANGE	K-3492,K-3497
11	4301840	SLIDING CLUTCH	4303386	1		K-3497

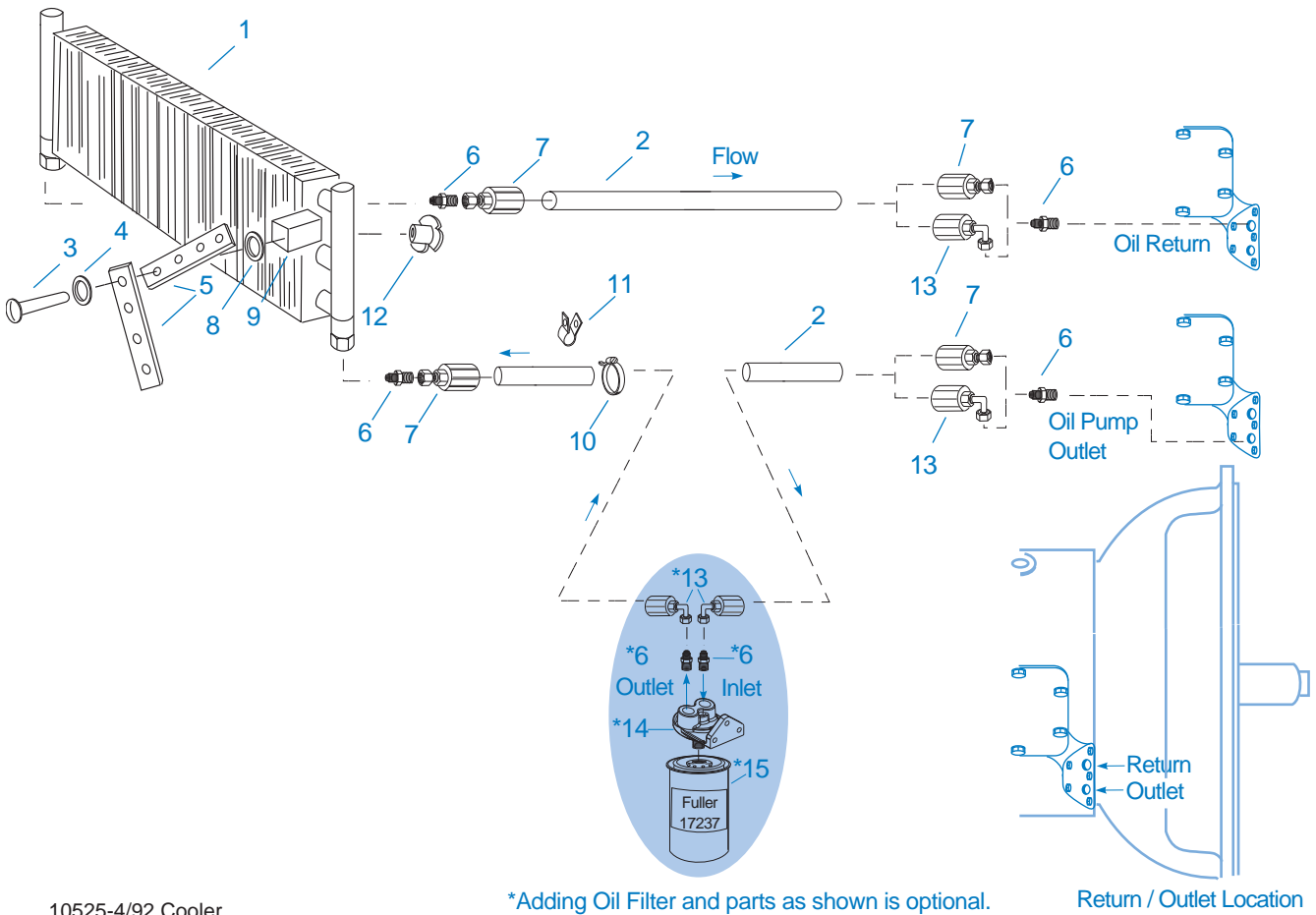
Item	Current Part	Description	Replaced Part	Qty.	Notes	Kits/Assys Where Needed
12	A-7254	SYNCHRONIZER ASSEMBLY	A - 4937 A - 5876	1	LO RANGE	K-3492,K-3497
13	4300904	AUXILIARY MAINSHAFT		1		
14	4301842	WASHER		1		K-3551
15	4302797	REDUCTION GEAR		1		
16	4300912	SPACER		1		
17	21356-BOX	BEARING	21356	1		K-3553,K-3554
18	20191	ROTOR	16295	1		
19	22254	NUT	11956	1		S-2907



## MISCELLANEOUS

Item	Current Part	Description	Replaced Part	Qty.	Notes	Kits/Assys Where Needed
	23205	SHIFT LABEL		1		
	71203	SILICONE LUBE		1	8 OZ (236.59 CC)-FLEET SIZE	
	71204	ADHESIVE SEALANT		1	0.5 CC (SINGLE APPLICATION SIZE)	
	71205	SEALANT		1	2 CC (SINGLE APPLICATION SIZE)	K-3553,K-3554
	71206	SILICONE LUBE		1	4 CC (SINGLE APPLICATION SIZE)	K-2078,K-2297,K-2298,K-2428,K-2429,K-2978,K-3331,K-3334

Group: OIL COOLER



10525-4/92 Cooler

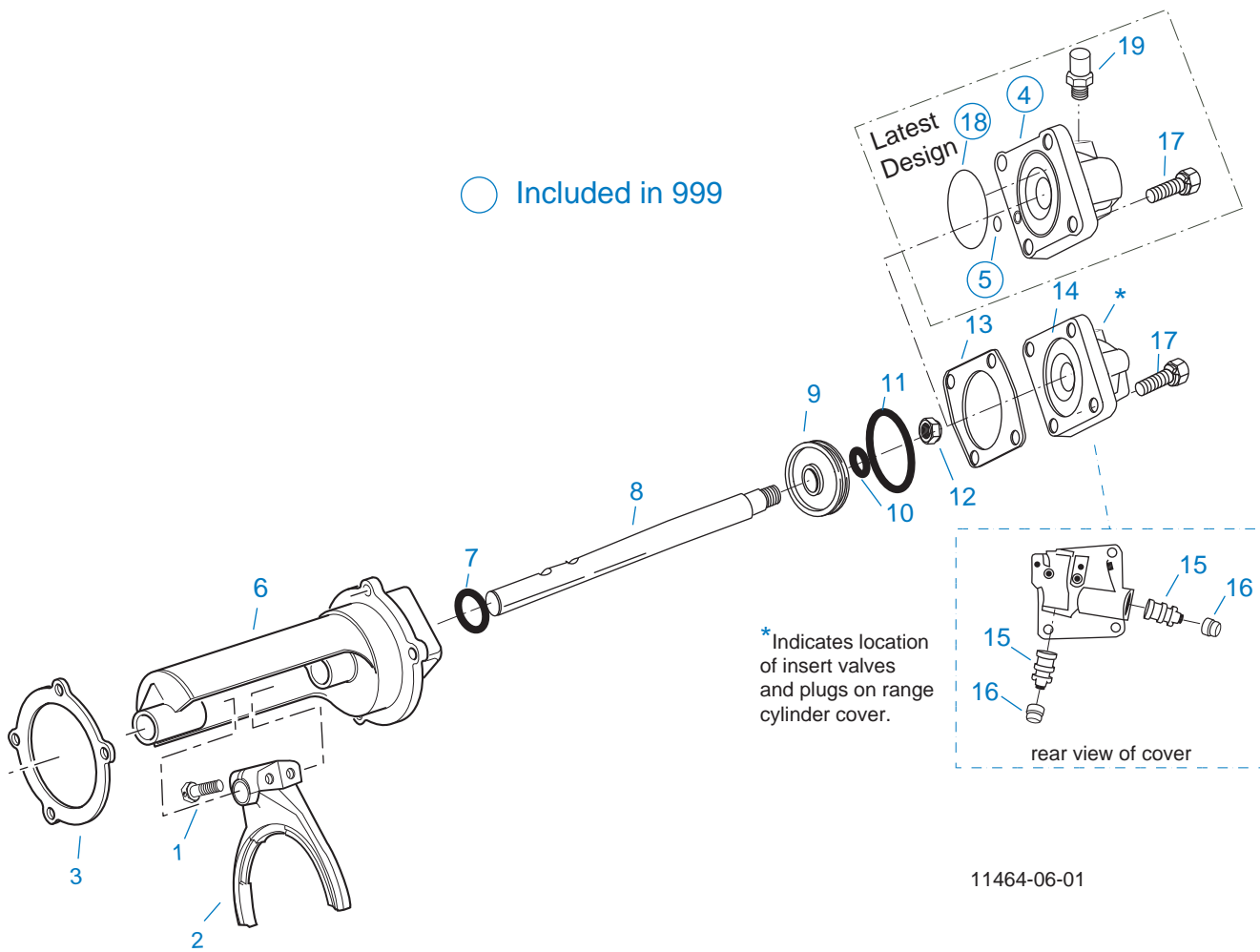
\*Adding Oil Filter and parts as shown is optional.

Return / Outlet Location

## OIL COOLER

Item	Current Part	Description	Replaced Part	Qty.	Notes	Kits/Assys Where Needed
1	18025	OIL COOLER		1		K-1956
2	19424	HOSE		1	25 FEET	K-1956
3	X-8-535	CAPSCREW		2	5/16"-16X2-1/2"	
4	X-3-506	LOCKWASHER		2	5/16"	
5	18211	BRACKET		4		K-1956
6	19419	CONNECTOR		6		K-1956,S-1404
7	19415	SWIVEL		4		K-1956
8	X-10-501	WASHER		2	5/16"	
9	18209	PLUG-RUBBER MOUNT		2		K-1956
10	17190	STRAP		8		K-1956
11	19423	CLAMP		5		K-1956
12	18210	NUT		2		K-1956

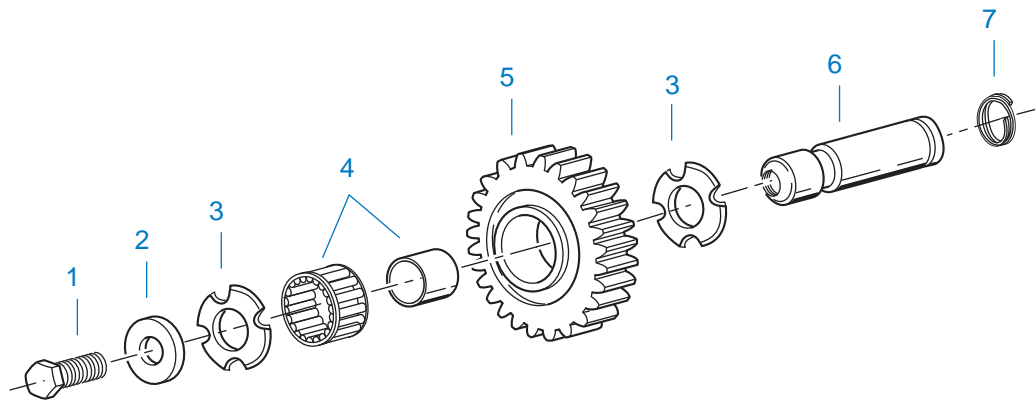
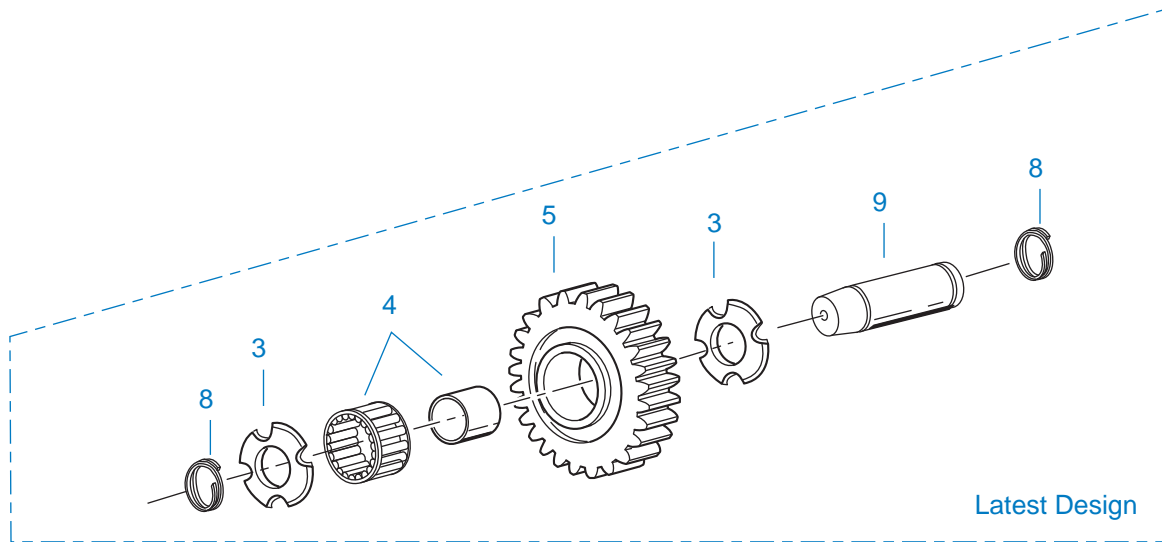
Item	Current Part	Description	Replaced Part	Qty.	Notes	Kits/Assys Where Needed
13	19422	ELBOW		4		K-1956
14	S-1404	OIL FILTER	17238	1		
15	17237	FILTER ELEMENT		1		S-1404



## RANGE CYLINDER

Item	Current Part	Description	Replaced Part	Qty.	Notes	Kits/Assys Where Needed
1	X-7-809	BOLT	X 7 810 ,X 7 811	2	1/2"-20X1-3/4"	
2	22823	SHIFT YOKE	16775	1		
3	14347	GASKET		1		K-2297,K-2298,K-3552
4	K-3334	RANGE VALVE REPL KIT	A - 6864	1		
5	14197	-O- RING		1		K-2297,K-2298,K-3334
6	A-6690	RANGE CYLINDER ASSY	4303595	1		
7	14765	-O- RING		1		K-2297,K-2298
8	4303596	YOKE BAR		1		
9	14341	PISTON	23353	1		
10	14345	-O- RING		1		K-2297,K-2298

Item	Current Part	Description	Replaced Part	Qty.	Notes	Kits/Assys Where Needed
11	14344	-O- RING		1		K-2297,K-2298
12	X-1-1010	NUT		1	5/8"-18	
13	22826	GASKET		1		K-2297,K-2298,K-3552
14	22825	RANGE CYLINDER COVER		1		
15	4300810	INSERT VALVE	22641 ,4303615	2		K-3553,K-3554
16	23009	PLUG		2		
17	X-8L-607	CAPSCREW	X 8 607	4	3/8"-16X2-1/4", 3/8"-16X2-1/4"	
18	5568539	O-RING		1		K-2297,K-2298,K-3334
19	X2014210	BREATHER	7935	1		
999	K-3334	RANGE VALVE REPL KIT	A - 6864	1		

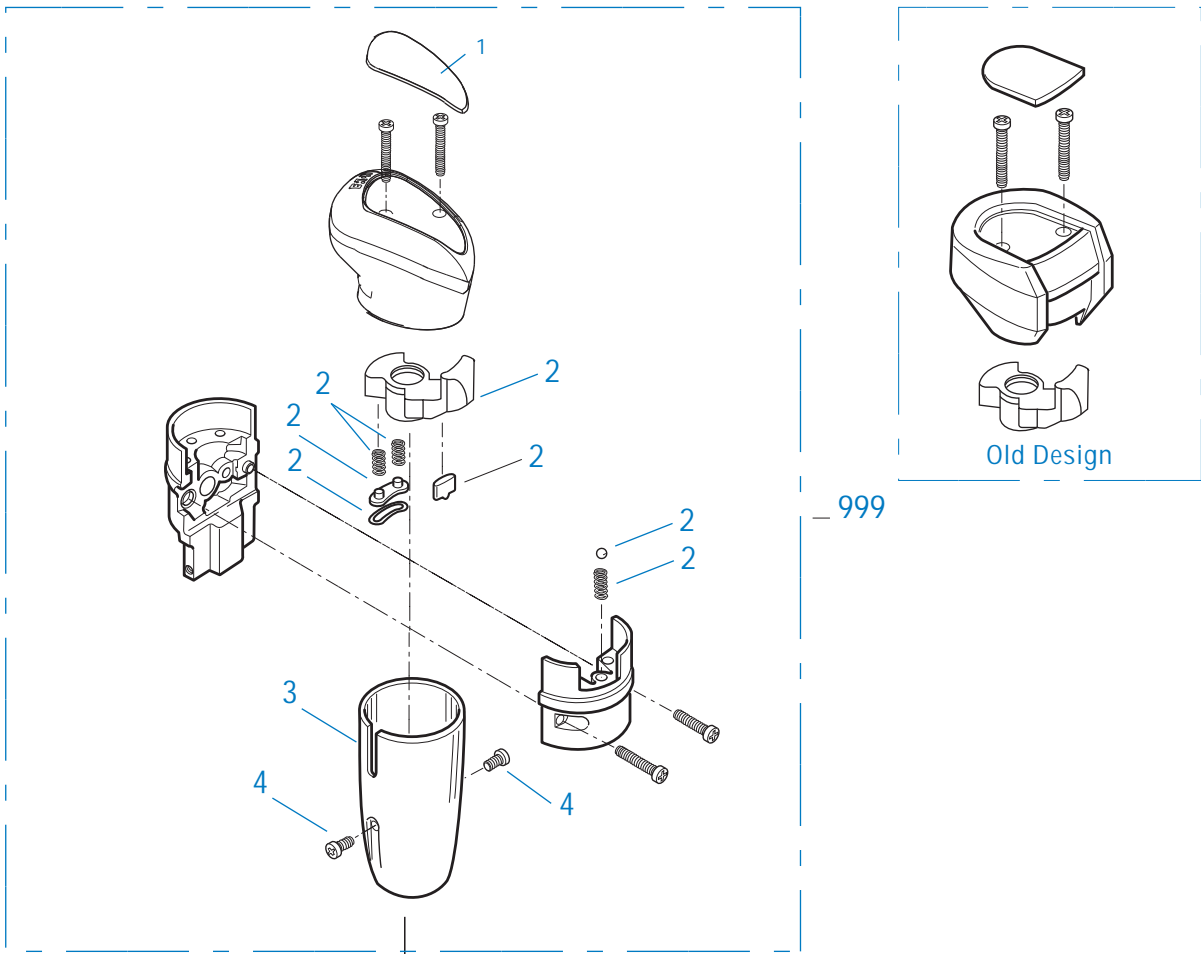


11382-3-97 RI

## REVERSE IDLER

Item	Current Part	Description	Replaced Part	Qty.	Notes	Kits/Assys Where Needed
1	X-7-1008	CAPSCREW		2	5/8"-18X1-1/4	
2	14283	WASHER		2		
3	4302982	WASHER	14282	4		K-3209,S-2406
4	14287	BEARING	4305020	2		K-3553,K-3554
5	16757	REVERSE IDLER GEAR	22409	2		
6	K-3209	IDLER SHAFT REPL KIT	16405 ,4302981 ,4305513	2		
7	4303336	RETAINING RING		2		K-3209
8	4303336	RETAINING RING		4		K-3209
9	4305513	IDLER SHAFT		2		K-3209

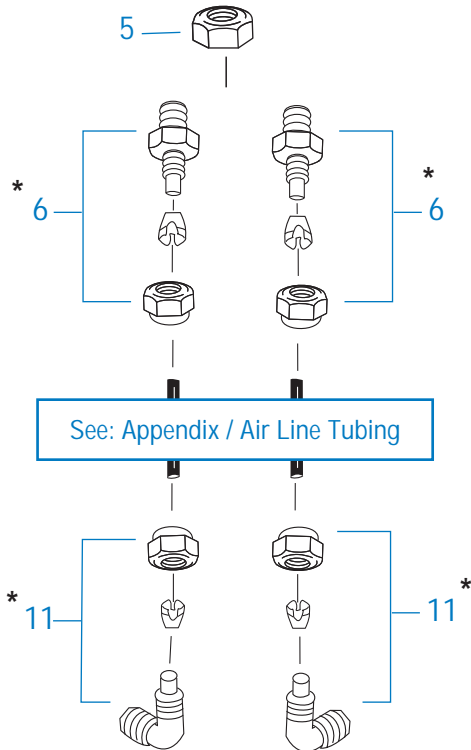
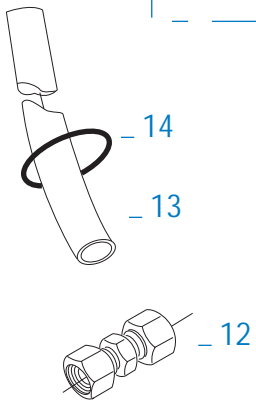




- 999

Old Design

2 K-2347 Rep Kit Master Valve



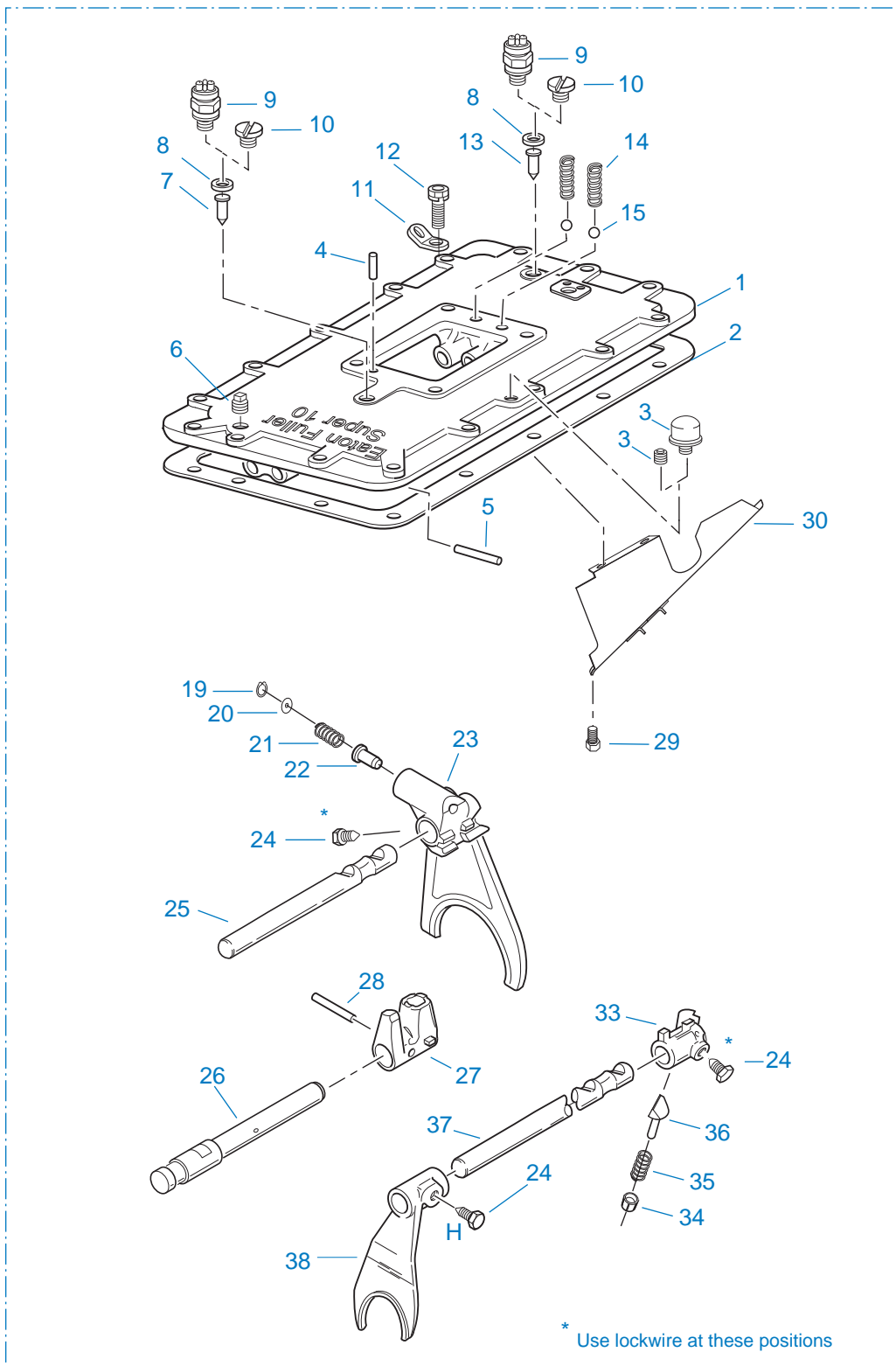
10104-11/92 RRV

\* For Connector and Elbow Assy component information see Appendix.



## ROADRANGER VALVE

Item	Current Part	Description	Replaced Part	Qty.	Notes	Kits/Assys Where Needed
1	20107	MEDALLION, LOGO		1	(OLD DESIGN) FULLER LOGO ONLY	
1	5586100	MEDALLION, LOGO		1	(LATEST DESIGN) FULLER LOGO ONLY	A-6910
1	5586109	SHIFT DIAGRAM MEDALLION		1	RTL	S-2568
2	K-2347	MASTER VALVE REPAIR KIT		1	FOR A-5510 VALVE	
2	K-3190	MASTER VALVE REPAIR KIT		1	FOR A-6910 VALVE	
3	20112	COVER		1		A-6910
4	X-8-213	SCREW	X 8 202	2	8-32X3/8"	
5	X-9-802	NUT		1	1/2"-13	
6	84001	CONNECTOR ASSY	82501	2	1/8" TUBE-1/16" NPTF	
6	84003	CONNECTOR ASSY	82503	2	5/32" TUBE-1/16" NPTF	
6	84005	CONNECTOR ASSY		2	"PUSH-TO-CONNECT" 5/32" TUBE-1/16" NPTF	K-3554
11	85001	ELBOW ASSY	84501	2	5/32" TUBE-1/8" NPTF	
11	85002	ELBOW ASSY	84502	2	1/8" TUBE-1/8" NPTF	
11	85003	ELBOW ASSY		2	"PUSH-TO-CONNECT" 5/32" TUBE-1/8" NPTF	K-3331,K-3334,K-3554,S-2486
12	84101	UNION ASSY		1	1/8" TUBING	
12	84102	UNION ASSY		1	5/32" TUBING	
12	84103	UNION ASSY		1	"PUSH-TO-CONNECT" 5/32" TUBING	
13	80120	SHEATHING (50 FT ROLL)		1	5/32" - BLACK 50'	
14	13571	-O- RING CLAMP		2		
999	A-6910	ROADRANGER VALVE ASSY	A - 5510	1	STANDARD-W/LOGO	
999	S-2568	ROADRANGER VALVE ASSY		1	RTL - W/SHIFT DIAGRAM MEDALLION	



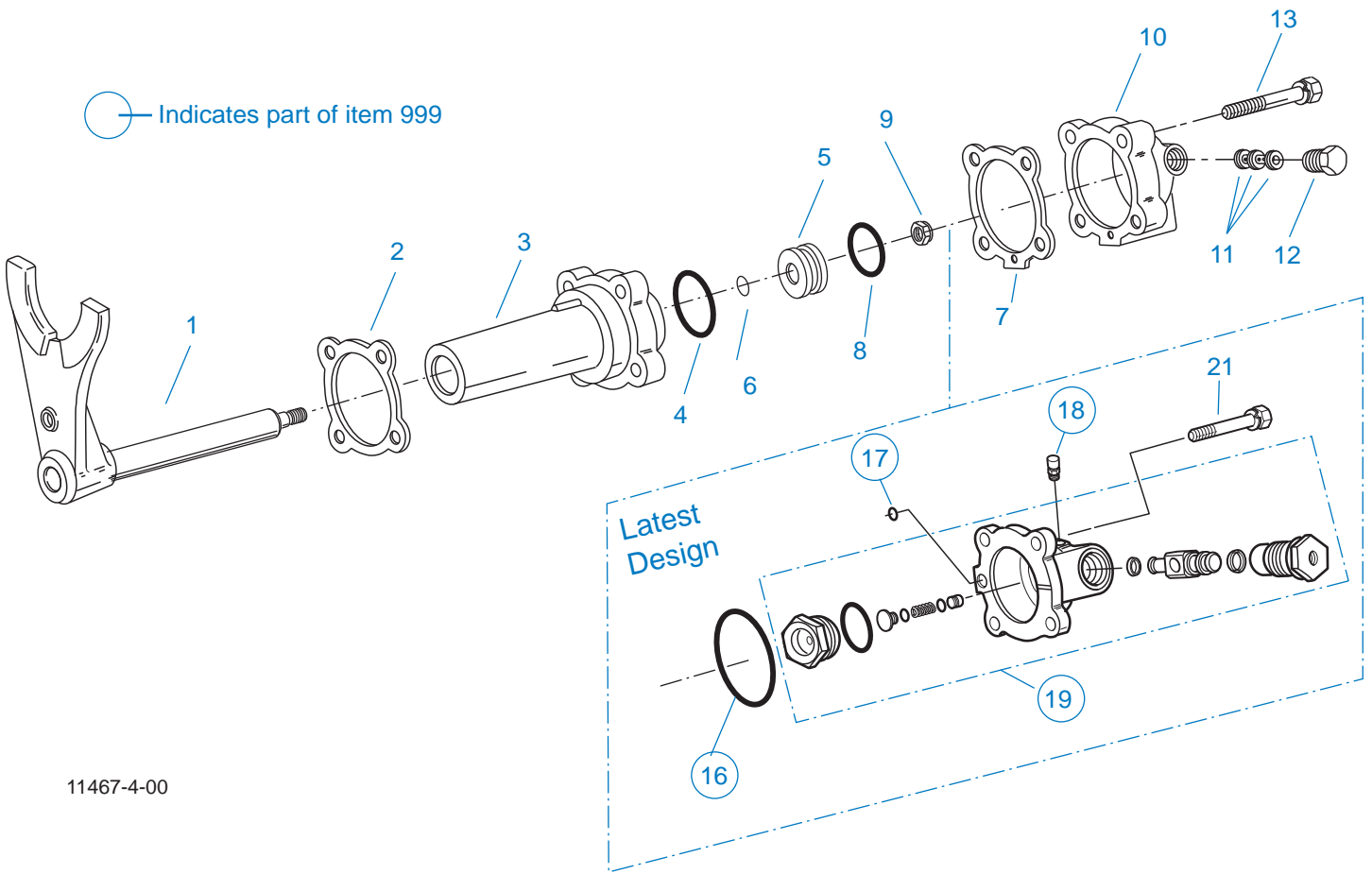
10236-2-95

## SHIFT BAR HOUSING (F)

Item	Current Part	Description	Replaced Part	Qty.	Notes	Kits/Assys Where Needed
------	--------------	-------------	---------------	------	-------	-------------------------

Item	Current Part	Description	Replaced Part	Qty.	Notes	Kits/Assys Where Needed
1	S-2484	SHIFT BAR HSG ASSY (F)	4303112	1	HOUSING ONLY	
2	4302676	GASKET	14918	1		K-3552,S-2058,S-2073,S-2484,S-2486
3	4304602	BREATHER	23605	1	1/4" NPT	
3	X-12-404	PIPE PLUG		1	1/4" NPT	
4	62511	ROLL PIN		1		S-2484,S-2486
5	22812	PIN		1		S-2058,S-2486
6	X-12-603	PIPE PLUG	X12 602	1	3/8" NPT	
7	4301999	PIN	22871	1		
8	15900	GASKET		2		S-2058,S-2073,S-2484,S-2486
9	22940	REV/NEUTRAL LIGHT SWITCH	16830	2	SWITCH NORMALLY OPEN	
10	4303656	PLUG	15917	2		S-2058,S-2073,S-2484,S-2486
11	20815	LIFTING EYE	17105	2		
12	X-8L-602	CAPSCREW		2	3/8"-16X1-1/2"	
12	X-8L-604	CAPSCREW		16	3/8"-16X1-1/4" OR USE 14 PCS OF X-8L-604 AND 2 PCS OF X-8L-602	
13	15899	PIN		1		S-2058,S-2486
14	15918	SPRING		2		K-3551,K-3554,S-2058,S-2486
15	X-14-800	STEEL BALL		2	1/2"	
19	22815	SNAP RING		1		S-1786,S-2058,S-2486
20	22814	WASHER		1		S-1786,S-2058,S-2486
21	22809	SPRING		1		K-3551,S-1786,S-2058,S-2486
22	22811	PLUNGER		1		S-1786,S-2058,S-2486
23	4301549	SHIFT YOKE		1		S-2486
24	3220	LOCKSCREW		3		S-2058,S-2486
25	4303114	YOKE BAR		1	REVERSE/1ST	S-2486
26	4303113	SELECTOR BAR		1		S-2486
27	4302702	SHIFT BLOCK		1		S-2486
28	5558502	PIN		1		S-2058,S-2486

Item	Current Part	Description	Replaced Part	Qty.	Notes	Kits/Assys Where Needed
29	X-8-423	CAPSCREW		2	1/4"-20X1/2"	
30	20070	OIL TROUGH		1		S-2058,S-2486
33	22803	SHIFT BLOCK		1		S-2058,S-2486
34	8968	PLUG		1		S-2058,S-2486
35	18739	SPRING		1		K-3551,S-2058,S-2486
36	10019	PLUNGER		1		S-2058,S-2486
37	4301555	YOKE BAR		1	4TH/5TH	S-2486
38	16136	SHIFT YOKE		1		S-2058,S-2486
999	S-2486	SHIFT BAR HSG ASSY (F)	4303112 ,S - 2416	1	COMPLETE	



11467-4-00

## SPLITTER CYLINDER

Item	Current Part	Description	Replaced Part	Qty.	Notes	Kits/Assys Where Needed
1	A-7012	SPLITTER YOKE ASSY	A - 6304 ,A - 6892	1		
2	14632	GASKET		1	PRIOR TO SERIAL NUMBER 51129440 & PRIOR TO SERIAL NUMBERS STARTING WITH AN ALPHA CHARACTER	K-2078,K-2298,K-3552
2	4303583	GASKET		1	BEGINNING W/SERIAL NUMBER 51129440 & ALL SERIAL NUMBERS STARTING WITH AN ALPHA CHARACTER	K-2078,K-2298,K-3552
3	21609	SPLITTER CYLINDER		1	PRIOR TO SERIAL NUMBER 51129440 & PRIOR TO SERIAL NUMBERS STARTING WITH AN ALPHA CHARACTER	
3	4303582	SPLITTER CYLINDER		1	BEGINNING W/SERIAL NUMBER 51129440 & ALL SERIAL NUMBERS STARTING WITH AN ALPHA CHARACTER	
4	21208	-O- RING		1		K-2078,K-2298

Item	Current Part	Description	Replaced Part	Qty.	Notes	Kits/Assys Where Needed
5	4301964	PISTON		1		
6	13653	-O- RING		1		K-2298,K-3331
7	17073	GASKET		1		K-2078,K-2298,K-3552
8	21209	-O- RING		1		K-2078,K-2298
9	X-1-805	NUT		1		
10	K-3331	SPLITTER VLV REPL KIT	4303660,K-3332	1		
11	19974	INSERT VALVE	15512 4303616	1		K-3553,K-3554
12	15719	PLUG		1		
13	X-8L-540	CAPSCREW		4	5/16"-18X1-7/8"	
16	5568534	-O- RING		1		K-2078,K-2298,K-3331
17	13653	-O- RING		1		K-2298,K-3331
18	X2014210	BREATHER	7935	1		
19	K-3331	SPLITTER VLV REPL KIT	4303660,K-3332	1		
21	X-8L-540	CAPSCREW		4	5/16"-18X1-7/8"	
999	K-3331	SPLITTER VLV REPL KIT	4303660,K-3332	1		

