



Eaton Fuller RTLO-13610B Transmission Parts Manual

This is Eaton Fuller RTLO-13610B Transmission parts manual brought to you by Pro Gear and Transmission to assist you identifying the parts for your Eaton / Fuller transmission unit.

If you need any assistance identifying the correct Eaton / Fuller unit for your truck and equipment, contact your Eaton replacement parts specialists at Pro Gear and Transmission.

Pro Gear stocks every part for your Eaton transmission including: Valve Assemblies, Synchronizers, Yoke Assemblies, O-Ring Kits, Drive Gears, Gaskets, Bearing and Seal Kits, and much more.

Pro Gear and Transmission has same day shipping and thousands of products in stock and ready to ship internationally for your next project.

For parts or service contact the Eaton transmission specialists at Pro Gear & Transmission, Inc.

 CALL US

 EMAIL US

 VISIT MODEL PAGE

 VISIT ONLINE STORE



Roadranger®

More time on the road®

Illustrated Parts List

RTLO-13610B-T2
July 2011

Contents

How To Use The Illustrated Parts List	3
AUXILIARY DRIVE GEAR.....	4
CASE (AUX)	5
CASE (FRONT).....	7
COUNTERSHAFT & BRGS(AUX).....	9
COUNTERSHAFT ASSY.....	10
FILTER REGULATOR.....	11
HOSES & CONNECTIONS	12
INPUT SHAFT & DRIVE GEAR	14
INTEGRAL OIL PUMP	15
ISOLATORS	17
KITS & ASSEMBLIES	18
LEVERS/HOUSINGS	20
MAINSHAFT & SYNCHRO(AUX).....	22
MAINSHAFT ASSY.....	23
MISCELLANEOUS	24
OIL COOLER.....	25
RANGE CYLINDER.....	26
REVERSE IDLER.....	27
ROADRANGER VALVE	30
SHIFT BAR HOUSING (STD).....	31
SPLITTER CYLINDER	33
TOP 2 VALVE	35

How To Use The Illustrated Parts List

The information contained in this document is subject to frequent updates. Therefore, for the latest information available, please visit the interactive Electronic Parts Catalog at www.roadranger.com/epc.

Model Designation or Nomenclature

- For information regarding Model Designation and Nomenclature, visit www.roadranger.com.

Kits and Assemblies (K/A's)

- Kits and Assemblies contain groups of individual or assembled parts developed for optimal replacement or repair of a service problem.
- Kits and Assemblies are shown with applicable parts groupings in the parts listings.

Identifying Kits and Assemblies

A- Part numbers beginning with the letter 'A' are pre-assembled Production Assemblies

K- Part numbers beginning with the letter 'K' are kits that are not assembled

S- Part numbers beginning with the letter 'S' are pre-assembled Service Assemblies

- Note: Some Production Assemblies do not begin with a letter prefix (Midrange only).

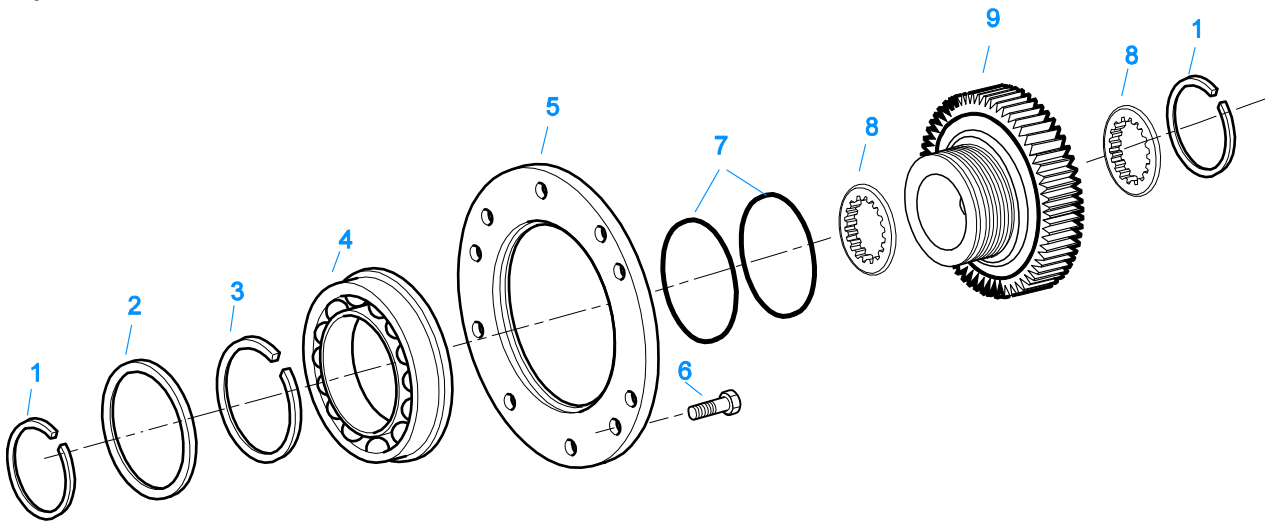
Illustrations

- Illustrations show parts in assembly groups.
- Item numbers on illustrations correspond with parts listings on pages adjacent to the illustration.
- Notes are included on illustrations where additional information is needed.

Parts Listing

Parts listings are defined by parts groupings and are broken down by service assemblies. Parts listings identify a part for servicing with the following categories

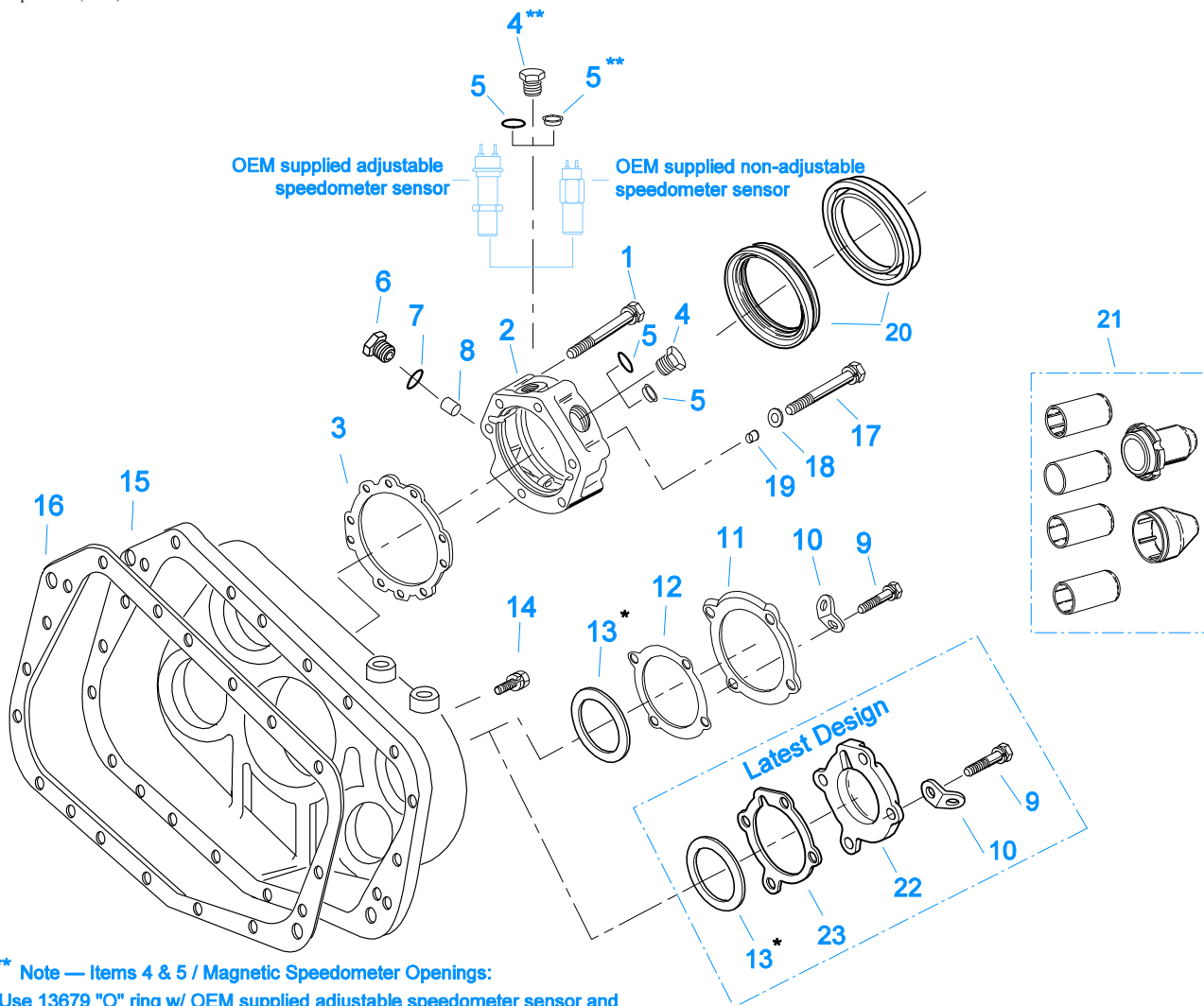
- **Item Number** - corresponding with numbers on illustrations for part identification.
- **Current Part** - identifies part as it is available for service.
- **Description** - specifies part name or description.
- **Replaced Part** - quantity quantity required for assembly.
- **Quantity** - defines unique characteristics or requirements.
- **Notes** - indicates Kits or Assemblies that contain a particular part.
- **Kits/Assy's Where Used**



10481-12/92 Aux DG

AUXILIARY DRIVE GEAR

Item	Current Part	Description	Replaced Part	Qty.	Notes	Kits/Assys Where Needed
1	16763	SNAP RING		2		K-2755,K-2764,K-2772
2	21320	SNAP RING RETAINER		1		K-2640
3	16628	SNAP RING		1		K-2755
4	5566507-BOX	BEARING	5566504,5566507	1		K-2764,K-2772
5	16138	BEARING RETAINER		1		
6	X-8-645	CAPSCREW	X 8 612	6	3/8"-16X1"	
7	17453	-O- RING		2		K-2640,K-2764,K-2772
8	21599	WASHER		2		
9	K-2640	REPL KIT-DRIVE GEAR	4301397 ,4301520	1		



**** Note — Items 4 & 5 / Magnetic Speedometer Openings:**

Use 13679 "O" ring w/ OEM supplied adjustable speedometer sensor and 20225 "O" ring w/ OEM supplied non-adjustable speedometer sensor or Eaton part #20224 Plug

* See Service Manual for Proper Shimming Procedure

10402A-3-99

CASE (AUX)

Item	Current Part	Description	Replaced Part	Qty.	Notes	Kits/Assys Where Needed
1	X-8L-605	CAPSCREW		5	3/8"-16X3"	
2	S-2136	REAR BRG COVER ASSY	21950 ,22040 ,22041 ,22042 ,4302006 4302007 ,S - 1563	1	EXTENDED	
3	15532	GASKET		1		K-1603,K-2262,K-2295,S-2136 S-2136,S-2775
4	20224	PLUG-MAGNETIC		2		
5	13679	-O- RING		1	USE W/OEM SUPPLIED ADJUSTABLE SPEEDOMETER SENSOR	
5	20225	-O- RING		2	USE W/20224 PLUG OR OEM SUPPLIED NON-ADJUSTABLE SPEEDOMETER SENSOR NOT TO BE USED WITH 4301954 SEAL O-RING NOT REQUIRED	
5	4301954	SENSOR SEAL		2		S-2136
6	20226	PLUG-MECHANICAL	2237	1		S-2136,S-2775
7	14142	-O- RING		1		S-2136,S-2775
8	7992	BUSHING		1		S-2136
9	X-8L-604	CAPSCREW		8	3/8"-16X1-1/4"	
10	20815	LIFTING EYE	17105	2		

Item	Current Part	Description	Replaced Part	Qty.	Notes	Kits/Assys Where Needed
11	4300925	REAR BEARING COVER	4300185	2	PRIOR TO SERIAL NUMBERS 51135817, 70768176 & PRIOR TO SERIAL NUMBERS STARTING WITH AN ALPHA CHARACTER	
12	4300186	GASKET		2	PRIOR TO SERIAL NUMBERS 51135817, 70768176 & PRIOR TO SERIAL NUMBERS STARTING WITH AN ALPHA CHARACTER	K-1603,K-2295
13	K-2430	SHIM KIT	21452	1		K-2764,K-2772,S-2775
14	X-8L-602	CAPSCREW		9	3/8"-16X1-1/2"	
14	X-8L-602	CAPSCREW		8	3/8"-16X1-1/2" - BEGINNING W/SERIAL NUMBERS 51135817, 70768176 & ALL SERIAL NUMBERS STARTING WITH AN ALPHA CHARACTER	
14	X-8L-604	CAPSCREW		8	3/8"-16X1-1/4" - PRIOR TO SERIAL NUMBERS 51135817, 71768176 & PRIOR TO SERIAL NUMBERS STARTING WITH AN ALPHA CHARACTER	
14	X-8L-614	CAPSCREW		2	3/8"-16X2"	
15	4300702	REAR HOUSING		1	PRIOR TO SERIAL NUMBERS 51135817, 70768176 & PRIOR TO SERIAL NUMBERS STARTING WITH AN ALPHA CHARACTER	
15	4303642	REAR HOUSING		1	BEGINNING W/SERIAL NUMBERS 51135817, 70768176 & ALL SERIAL NUMBERS STARTING WITH AN ALPHA CHARACTER	
16	14335	GASKET		1		K-1603,K-2295,S-2775
17	X-8-682	CAPSCREW		1	3/8"-16X3"	
18	17106	GASKET		1		K-2262,K-2295,S-2136
19	19709	COLLAR		1		K-1603,K-2262,K-2295,S-2136
20	K-2262	OIL SEAL W/SLINGER	19109 20807 20808	1	"FOR MECHANICAL COVER"	K-2764,K-2772
21	K-3651	OIL SEAL TOOL KIT		1		
22	4302320	COVER	21346	2	BEGINNING W/SERIAL NUMBERS 51135817, 70768176 & ALL SERIAL NUMBERS STARTING WITH AN ALPHA CHARACTER	S-2775
23	4305978	GASKET	4302246	1	BEGINNING W/SERIAL NUMBERS 51135817, 70768176 & ALL SERIAL NUMBERS STARTING WITH AN ALPHA CHARACTER	K-1603,K-2295,S-2775



10300B-8-00

* Bushing quantity requirements: #1 Housing – Upper bore use 4 #12815 / Lower bore use 2 #8677.

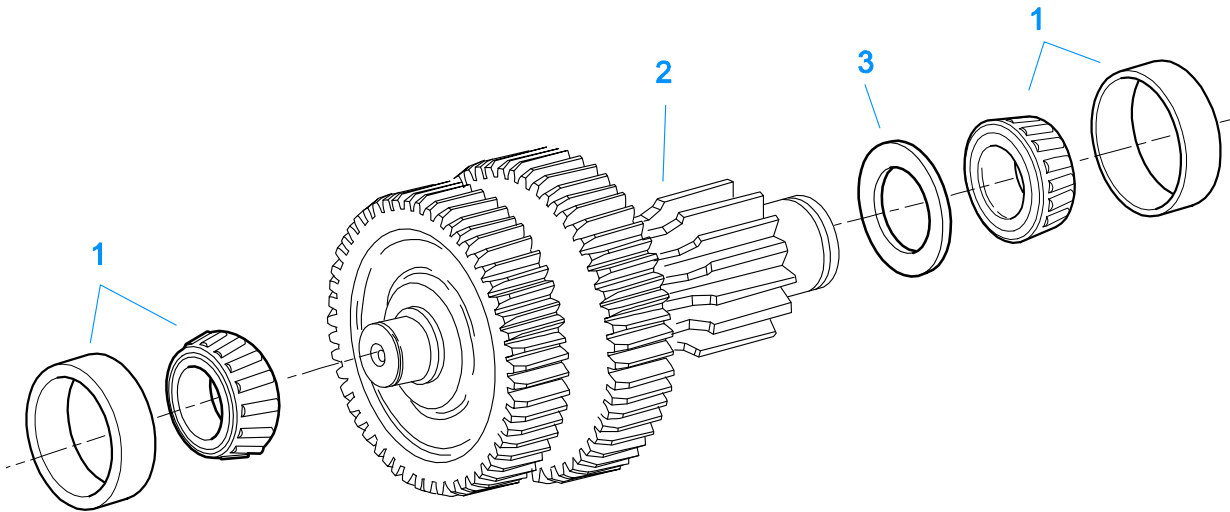
#2 Housing – Upper bore use 2 #12815 and 1 #8677 / Lower bore use 2 #8677.

Note: Some part requirements are specific to #1 or #2 Aluminum or Iron Clutch Housings and Push or Pull type Clutch.

CASE (FRONT)

Item	Current Part	Description	Replaced Part	Qty.	Notes	Kits/Assys Where Needed
1	S-2061	CASE ASSY	4301557	1		
1	S-2062	CASE ASSY	4301790	1	FOR USE W/INTEGRAL PUMP	
2	4304023	PLUG	4303747	1	1-1/16" MAGNETIC, O-RING INCLUDED	
2	X-12-2007	PIPE PLUG	X12 2006	1		
3	4304023	PLUG	4303747	1	1-1/16" MAGNETIC, O-RING INCLUDED	
3	X-12-1207	PIPE PLUG	X12 1202 ,X12 1206	1	3/4" MAGNETIC	
4	4305310	GASKET	4302810	1		K-2295
5	4302809	PTO COVER	16596 ,4300571	1		
6	X-8-725	CAPSCREW	X 8 724	8	7/16"-14X7/8"	
7	4306584	CLUTCH HOUSING GASKET	4304815,4305668	1		K-2295
8	A-3713	CLUTCH HOUSING ASSY	A - 3700	1	#1 PUSH-PULL IRON	
8	A-3723	CLUTCH HOUSING ASSY	A - 3721 ,A - 3722	1	#2 PUSH-PULL IRON	
8	A-5992	CLUTCH HOUSING ASSY	4301103	1	#1 PULL ALUM.(SPECIAL-LIGHTER WEIGHT)	
9	239614	SCREW	X-8L-509	4	5/16-18X.81 QUANTITY DEPENDENT ON DESIGN	
10	14506	HAND HOLE COVER		1	#2 PUSH	
10	14507	HAND HOLE COVER		1	#2 PULL	
10	4305230	HAND HOLE COVER	11453	1	#1 PULL	
10	4305231	HAND HOLE COVER	1565	1	#1 PUSH	
11	4306583	STUD	5966	6		
12	X-10-1005	WASHER	X 3 1000 ,X10 1000 ,X10 1004	6	1.23 X 6.60	
13	X-1-1012	HEX NUT	X-1-1005	6	.625-18	
14	20550	FRONT BRG COVER		1	2" PULL	K-2468,K-4125
15	X-8L-604	CAPSCREW		6	3/8"-16X1-1/4"	
16	20549	FRONT BRG COVER		1	2" PUSH	

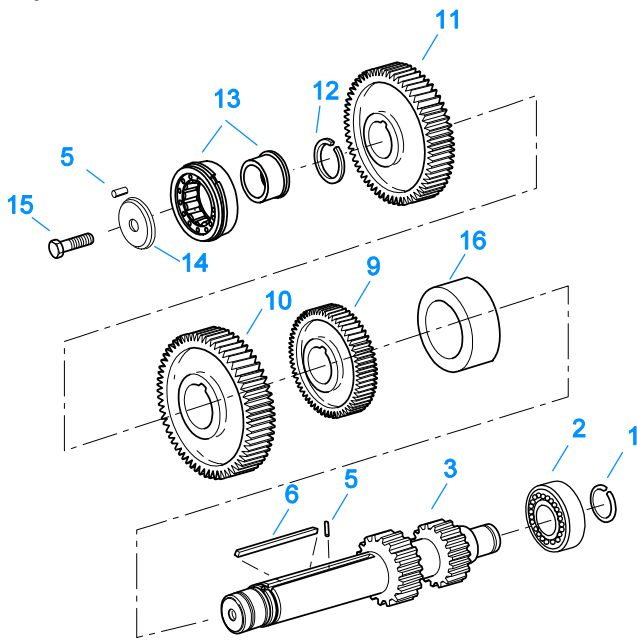
Item	Current Part	Description	Replaced Part	Qty.	Notes	Kits/Assys Where Needed
17	14311	GASKET		1		K-2295
18	12815	BUSHING		4	FOR #1 HOUSING UPPER	A-3713,A-3723,A-5992,K-2468
18	12815	BUSHING		2	FOR #2 HOUSING UPPER	A-3713,A-3723,A-5992,K-2468
18	8677	BUSHING		1	FOR #2 HOUSING UPPER	A-3713,A-3723
19	8677	BUSHING		2	FOR #1 AND #2 HOUSING LOWER	A-3713,A-3723
20	X-8C-830	HEX HEAD SCREW/WASHER ASSY	X-8C-826	4	.500-13 X 1.490, USE 2 PCS FOR IRON HOUSING, USE 4 PCS FOR ALUMINUM HOUSING	
20	X-8C-831	HEX HEAD SCREW/WASHER ASSY	X-8C-822	2	.500-13 X 3.460, FOR IRON HOUSING	
22	X-8-686	CAPSCREW		6	3/8"-16X3/4"	
23	14575	PTO COVER	4302254	1		
24	4305309	GASKET	1684	1		K-2295
27	14373	MAGNET		3		S-2061,S-2062
28	18128	PIN		2		
29	X-1-1012	HEX NUT		2	.625-18	
30	X-10-1005	WASHER	X 3 1000 ,X10 1000 ,X10 1004	2	1.23 X 6.60	
31	14554	STUD	1632 ,6579	2	5/8" X 2-3/16"	
36	23104	PLUG	1712	2		
37	X-8-1005	CAPSCREW		2	5/8"-11X1-1/4"	
38	20814	SPACER		2		
39	X-12-802	PIPE PLUG	X12 800	1	1/2"	



10441-4/92 Aux CS 13/18 spd

COUNTERSHAFT & BRGS(AUX)

Item	Current Part	Description	Replaced Part	Qty.	Notes	Kits/Assys Where Needed
1	4302074-BOX	BEARING	21343,4302074	4		K-2764,K-2772
2	A-6387	WELDED COUNTERSHAFT ASSY		2	C/S 4301398 - D/G 4301399 S/G 4302696	
3	4300184	SPACER		2		



10343-11/92 CS-LO Inertia

COUNTERSHAFT ASSY

Item	Current Part	Description	Replaced Part	Qty.	Notes	Kits/Assys Where Needed
1	14317	SNAP RING		2		K-2755,K-2764,K-2772
2	14366	BEARING		2		K-2764,K-2772
3	K-2932	CNTRSHFT W/REV & LO	4301395 ,4303966 ,4303967	2		
5	62511	ROLL PIN		4	ROLL PINS NO LONGER REQUIRED	A-6340
6	4303968	KEY		2		
9	4303961	2ND GEAR-CNTRSHFT	4303960	2		
10	15953	PTO GEAR - LOWER		1		
10	20840	PTO GEAR - UPPER	15952	1		
11	21586	DRIVE GEAR-CNTRSHFT	22271	2		
12	19198	SNAP RING		2		
13	4304599	BEARING	4302677 ,4304598	2		K-2764,K-2772
14	4304605	RETAINER	19548	2		
15	X-7-1005	CAPSCREW		2	5/8"-18X1-3/4"	
16	4303964	SPACER		2		

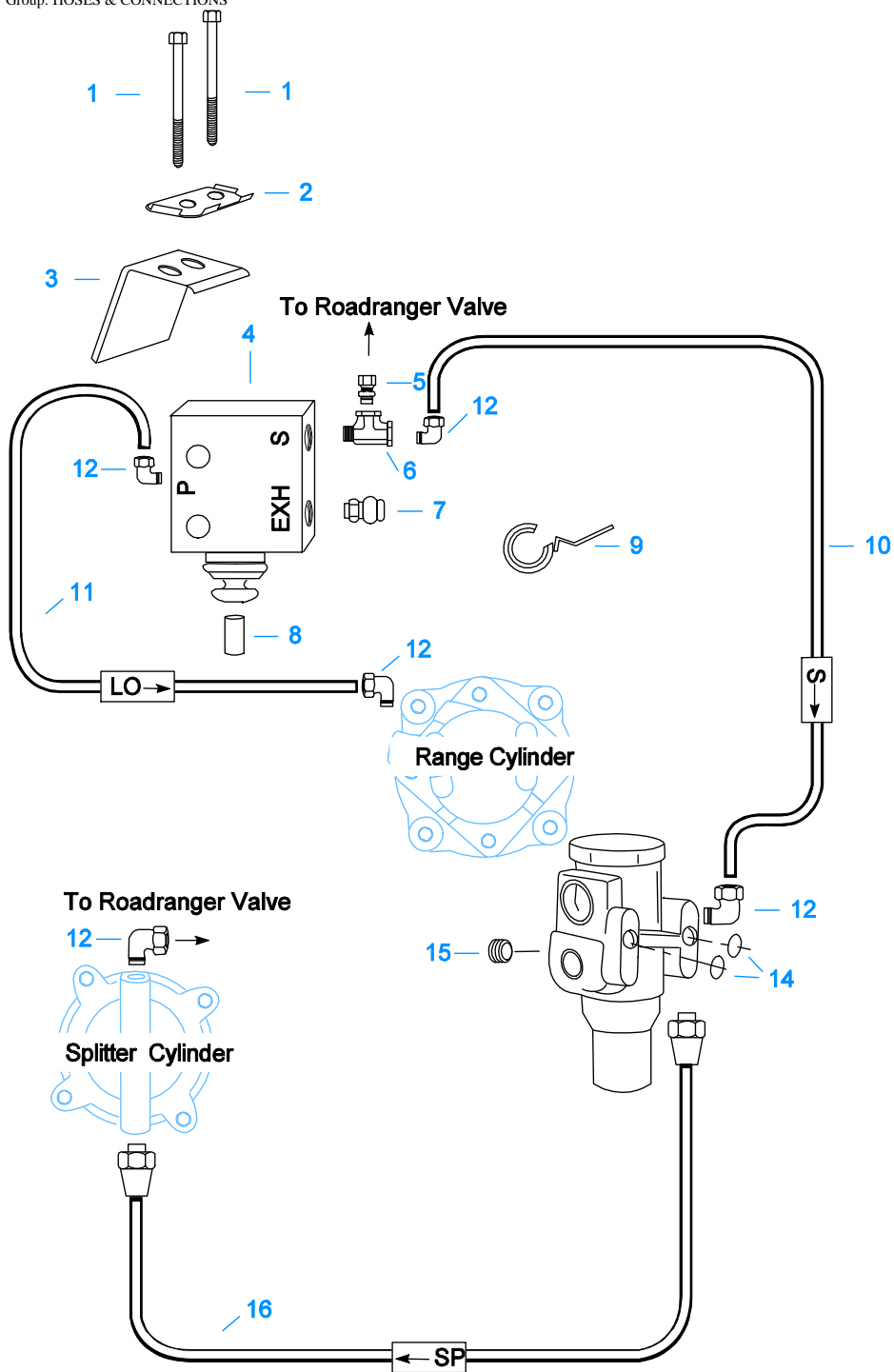
Group: FILTER REGULATOR



FILTER REGULATOR

Item	Current Part	Description	Replaced Part	Qty.	Notes	Kits/Assys Where Needed
1	K-2170	FILTER REG KIT	A - 5454	1		
2	K-1698	-O- RING/ELEMENT KIT		1	FOR FILTER REGULATOR	
3	X-8C-412	CAPSCREW	X 8S 412	2	1/4"-20X2-1/4"	

Group: HOSES & CONNECTIONS



10116A-5/93 Super10 HC

HOSES & CONNECTIONS

Item	Current Part	Description	Replaced Part	Qty.	Notes	Kits/Assys Where Needed
1	X-8-434	CAPSCREW		2	1/4"-20X2"	
2	22818	LOCKWASHER		1		
3	22817	RETAINER PLATE		1		
4	K-3121	AIR VALVE CONV KIT	23545	1		
5	84002	CONNECTOR ASSY	82502	1	1/8" TUBE-1/8" NPTF	
5	84004	CONNECTOR ASSY	82504	1	5/32" TUBE-1/8" NPTF	
5	84006	CONNECTOR ASSY		1	"PUSH-TO-CONNECT" 5/32" TUBE-	K-3121, K-3198

Item	Current Part	Description	Replaced Part	Qty.	Notes	Kits/Assys Where Needed
6	22870	TEE		1	1/8"NPTF	
7	7935	BREATHER		1		K-3198
8	4301989	PIN	22813	1		
9	19727	HOSE CLAMP		2		
10	75120	NYLON TUBE		1	5/32"	
11	75320	NYLON TUBE	5546014	1	5/32"	
12	85001	ELBOW ASSY	84501	5	5/32"TUBE-1/8"NPTF	
12	85002	ELBOW ASSY	84502	5	1/8"TUBE-1/8"NPTF	
12	85003	ELBOW ASSY		5	"PUSH-TO-CONNECT" 5/32"TUBE-1/8"NPTF	K-2764,K-3121,K-3198,K-3333,K-3334
14	15114	-O- RING		2		K-2170,K-2295,K-3334
15	X-12-208	PIPE PLUG		1	1/8" NPT	
16	55527	HOSE ASSY		1	15"	



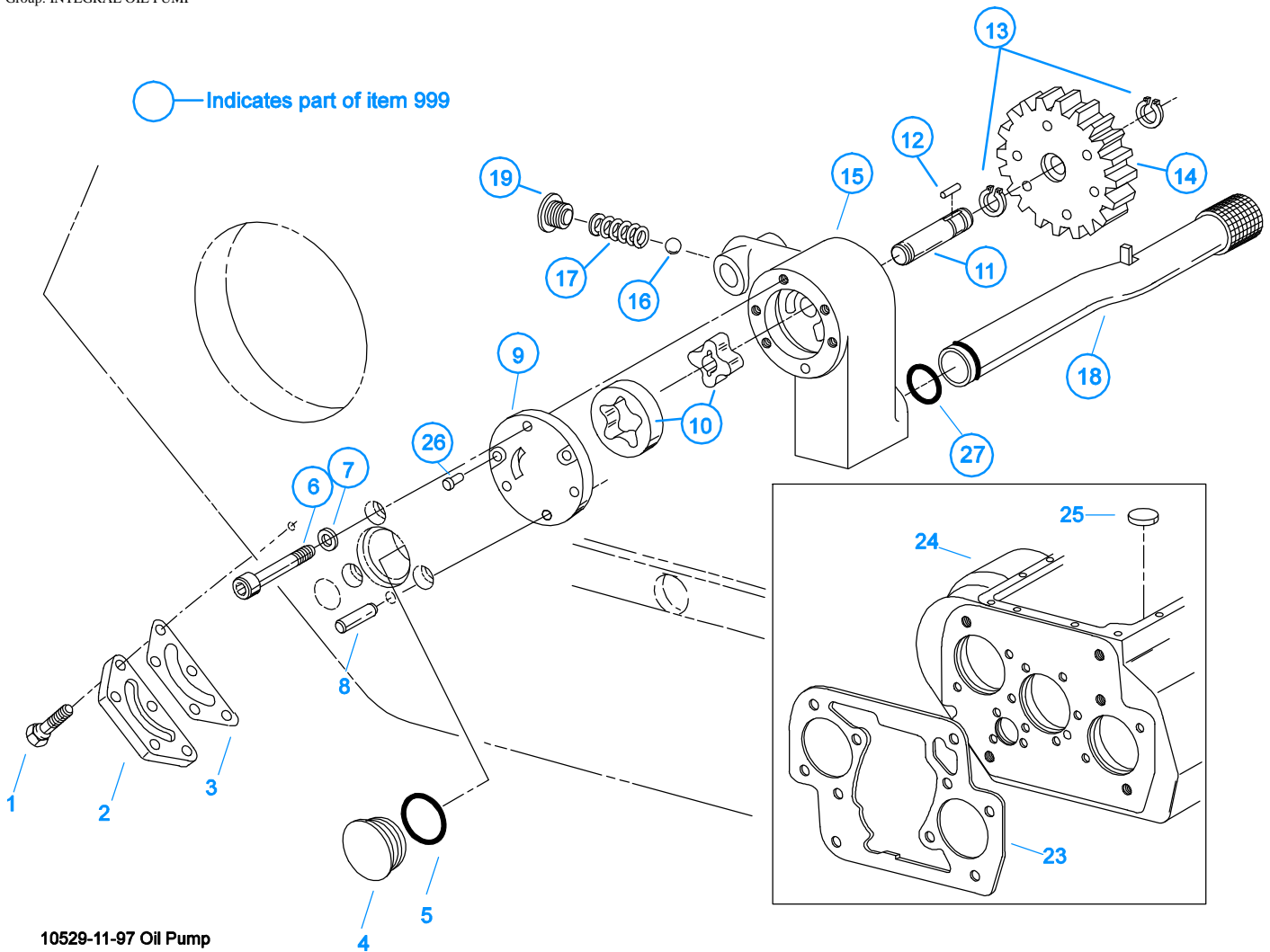
* For Shipping Only -- Do Not Replace

*

10370-1/92 IS

INPUT SHAFT & DRIVE GEAR

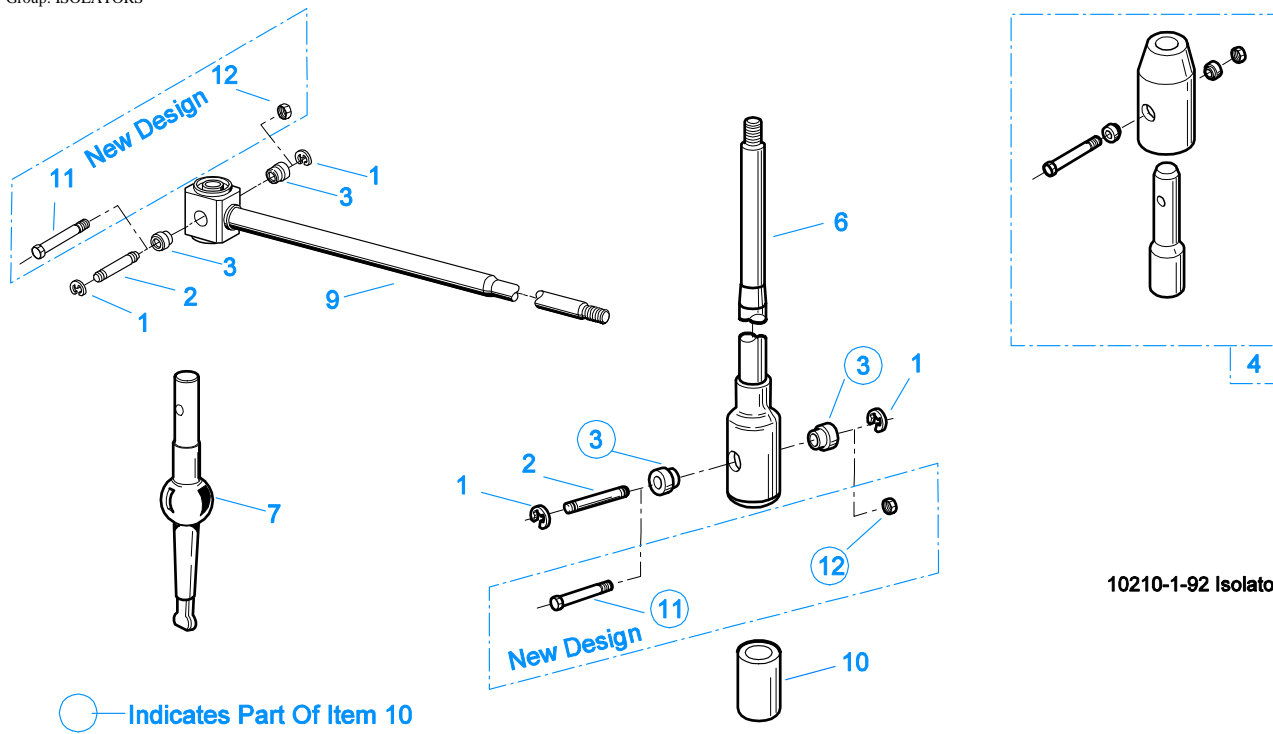
Item	Current Part	Description	Replaced Part	Qty.	Notes	Kits/Assys Where Needed
1	23559	SHIPPING SEAL		1	NOT SOLD FOR SERVICE	
2	16980	SNAP RING		1		K-2468,K-2755,K-2764,K-2772,K-4125
3	81504	BEARING		1		K-2468,K-2764,K-2772,K-4125
4	16463	SPACER		1		
5	14750	SNAP RING		1		K-2468,K-2755,K-2764,K-2772,K-4125
6	20458	MAIN DRIVE GEAR	19630	1		
8	S-1659	INPUT SHAFT	20535 23566 ,4302661	1	2" PULL - USE W/FBC 20550	K-2468,K-2764,K-4125
8	S-1660	INPUT SHAFT	20536 ,23567	1	2" PUSH - USE W/FBC 20549	
9	16566	BUSHING		1		K-2772,S-1659,S-1660



INTEGRAL OIL PUMP

Item	Current Part	Description	Replaced Part	Qty.	Notes	Kits/Assys Where Needed
1	X-8C-409	CAPSCREW		5	1/4"-20X5/8"	
2	K-2402	COVER & SCREW KIT	20513 ,4300751	1		
3	20514	GASKET		1		K-2402
4	20823	PLUG		1		
5	14765	-O- RING		1		K-2297,K-2298
6	X-8-448	SCREW	X 8 445	3	1/4"-20X1-1/4"	
7	20824	WASHER		3		K-3367
8	20825	DOWEL PIN		1		
9	4303773	RETAINER		1		
10	K-3367	OIL PUMP KIT	4301829 ,4301948 ,4303776 ,4304529 ,4304572 A - 6963 ,A - 7173	1		
11	K-3367	OIL PUMP KIT	4301829 ,4301948 ,4303776 ,4304529 ,4304572 A - 6963 ,A - 7173	1		
12	20509	KEY		1		
13	14853	SNAP RING		2		
14	4303774	PUMP DRIVE GEAR	4304880	1		
15	K-3367	OIL PUMP KIT	4301829 ,4301948 ,4303776 ,4304529 ,4304572 A - 6963 ,A - 7173	1		
16	X-14-700	STEEL BALL		1	7/16"	

Item	Current Part	Description	Replaced Part	Qty.	Notes	Kits/Assys Where Needed
17	4303775	SPRING		1		
18	4305713	SUCTION TUBE	4304628	1	O-RING INCLUDED ON SUCTION TUBE	K-3367
19	4304629	PLUG		1		
23	4306584	CLUTCH HOUSING GASKET	4304815,4305668	1		K-2295
24	S-2062	CASE ASSY	4301790	1	FOR USE W/INTEGRAL PUMP	
25	14373	MAGNET		3		S-2061,S-2062
26	X-8-447	SCREW		2		
27	20225	-O- RING		1		
999	K-3367	OIL PUMP KIT	4301829 ,4301948 ,4303776 ,4304529 ,4304572 A - 6963 ,A - 7173	1		



10210-1-92 Isolator

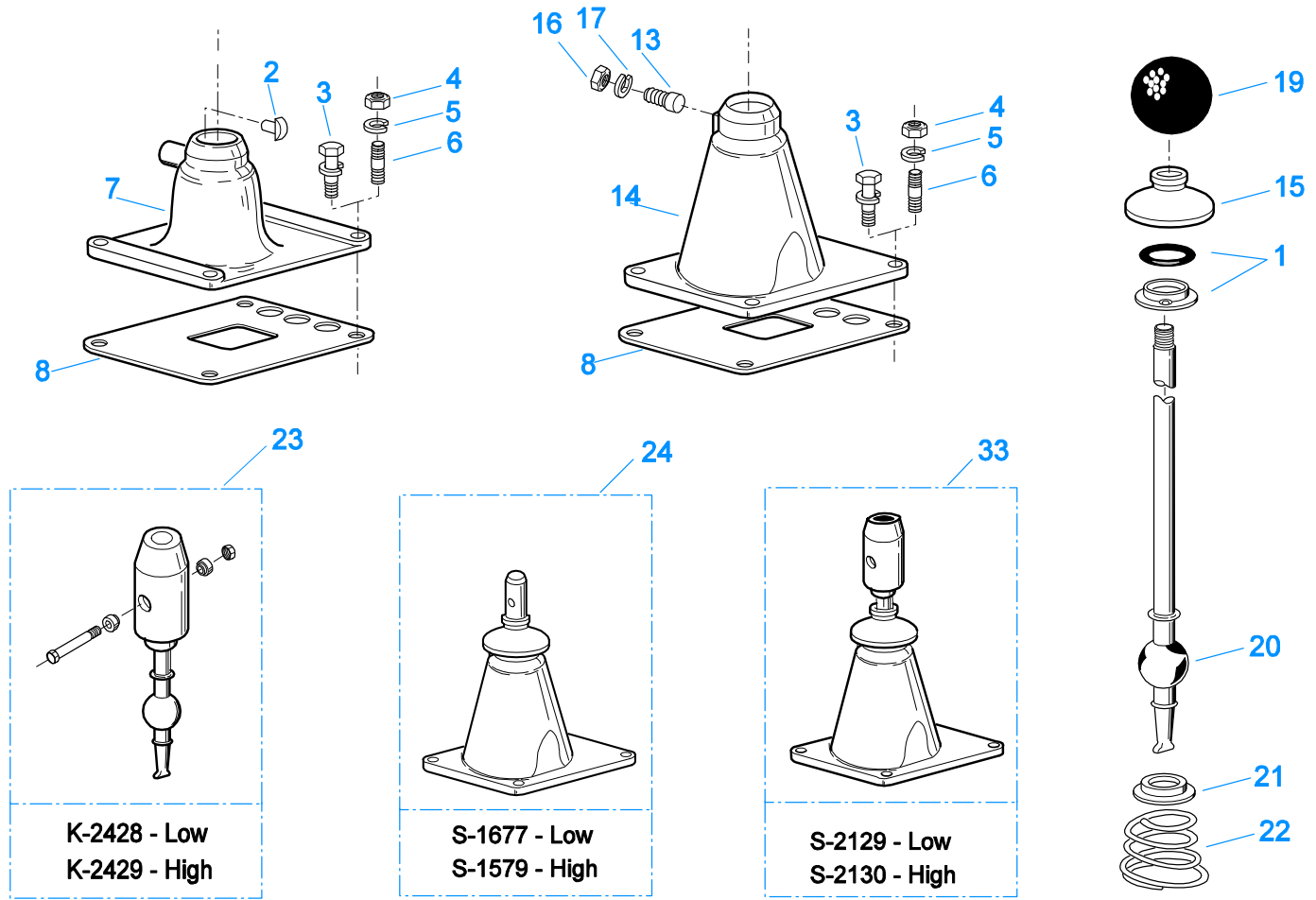
ISOLATORS

Item	Current Part	Description	Replaced Part	Qty.	Notes	Kits/Assys Where Needed
1	19124	-E- RING		2		
2	K-3467	PIN REPLACEMENT KIT	21245	1		
3	21246	BUSHING		2		K-2003,K-2428,K-2429,K-3399,S-2129,S-2130
4	S-1794	ISOLATOR ASSY		1		
6	21247	LEVER		1	STRAIGHT 18.67"	
7	21235	STUB LEVER		1	LOW TOWER	K-2428,S-1677
7	21236	STUB LEVER		1	HIGH TOWER	K-2429,S-1579,S-2130
9	21767	90 DEG LEVER		1	STRAIGHT 33"	
10	K-3399	ISOLATOR BUSHING KIT	21244 ,23311	1		
11	X-8-560	SCREW		1		
12	X-9-503	NUT		1		

KITS & ASSEMBLIES

Item	Current Part	Description	Replaced Part	Qty.	Notes	Kits/Assys Where Needed
K-1476		SHIFT LEVER HSG	4530 ,17163 ,18298 ,4304905 ,A - 4437	1	LOW TOWER	
K-1603		GASKET KIT		1	FOR AUXILIARY SECTION	
K-1698		-O- RING/ELEMENT KIT		1	FOR FILTER REGULATOR	
K-1956		COOLER INSTLN KIT		1		
K-2003		PIN & BUSHING KIT		1		
K-2078		-O- RING KIT - SPLITTER		1	SPLITTER	
K-2170		FILTER REG KIT	A - 5454	1		
K-2262		OIL SEAL W/SLINGER	19109 20807 20808	1	"FOR MECHANICAL COVER"	K-2764,K-2772
K-2295		GASKET KIT		1		K-2764,K-2772
K-2297		-O- RING KIT - RANGE		1	RANGE	
K-2298		-O- RING KIT - COMPLETE		1	COMPLETE	K-2764,K-2772
K-2347		MASTER VALVE REPAIR KIT		1	FOR A-5510 VALVE	
K-2366		KEY & WASHER KIT	21326 ,4300763 ,4304614	1	CONTAINS 3-SIDED KEY	
K-2394		AIR SYSTEMS TOOL KIT		1		
K-2402		COVER & SCREW KIT	20513 ,4300751	1		
K-2428		LEVER REPLACEMENT KIT		1	LOW TOWER	
K-2429		LEVER REPLACEMENT KIT		1	HIGH TOWER	
K-2430		SHIM KIT	21452	1		K-2764,K-2772,S-2775
K-2468		CLUTCH INSTALLATION KIT		1	FOR USE WITH S-1659 INPUT SHAFT ASSY AND 81504 INPUT SHAFT BEARING	
K-2640		REPL KIT-DRIVE GEAR	4301397 ,4301520	1		
K-2755		SMALL PARTS KIT		1		
K-2764		BASIC OVERHAUL KIT		1		
K-2772		BASIC REBUILD KIT		1		
K-2932		COUNTERSHAFT REPL KIT	4301395 ,4303966 ,4303967	1		
K-2973		SHIFT LEVER HSG KIT	17166 ,17167 ,4303050 ,4304910 ,K - 1630 K - 1941	1	HIGH TOWER	
K-3190		MASTER VALVE REPAIR KIT		1	FOR A-6910 VALVE	
K-3198		T-2 VALVE KIT	691300 ,691359	1		
K-3209		IDLER SHAFT REPL KIT	16405 ,4302981 ,4305513	1		
K-3333		SPLITTER VLV REPL KIT	A - 6861	1		
K-3334		RANGE VALVE REPL KIT	A - 6864	1		
K-3367		OIL PUMP KIT	4301829 ,4301948 ,4303776 ,4304529 ,4304572 A - 6963 ,A - 7173	1		
K-3376		O-RING & WASHER KIT	4301211	1		
K-3399		ISOLATOR BUSHING KIT	21244 ,23311	1		
K-3467		PIN REPLACEMENT KIT	21245	1		
K-3492		SYNCHRONIZER KIT	K - 2446	1		
K-3494		SYNCHRONIZER REPLACEMENT KIT	K - 2448	1	SLIDING CLUTCH INCLUDED IN KIT	
K-3651		OIL SEAL TOOL KIT		1		
K-4125		CLUTCH INSTALLATION KIT (RT), HYDRAULIC RELEASE		1	STANDARD RT INPUT SHAFT AND YOKE FOR HYDRAULIC CLUTCH RELEASE	
S-1404		OIL FILTER	17238	1		
S-1659		INPUT SHAFT	20535 23566 4302661	1	2" PULL - USE W/FBC 20550	K-2468,K-2764,K-4125
S-1660		INPUT SHAFT	20536 ,23567	1	2" PUSH - USE W/FBC 20549	
S-1786		SHIFT YOKE ASSY	22801	1		
S-1794		ISOLATOR ASSY		1		
S-1984		COVER ASSY-RANGE CYL		1		
S-2058		SHIFT BAR HSG ASSY (STD)	22800 ,4301786 ,S - 1968	1	COMPLETE - FOR USE W/SHIFT LEVER	
S-2061		CASE ASSY	4301557	1		
S-2062		CASE ASSY	4301790	1	FOR USE W/INTEGRAL PUMP	
S-2073		SHIFT BAR HSG ASSY	4301786	1	HOUSING ONLY	

Item	Current Part	Description	Replaced Part	Qty.	Notes	Kits/Assys Where Needed
		(STD)				
	S-2074	SHIFT BAR HSG ASSY	4301786	1	COMPLETE - FOR USE W/REMOTE CONTROL	
	S-2129	SHIFT LEVER HSG ASSY		1	LOW TOWER	
	S-2130	SHIFT LEVER HSG ASSY	S - 2053	1	HIGH TOWER	
	S-2136	REAR BRG COVER ASSY	21950 ,22040 ,22041 ,22042 ,4302006 4302007 ,S - 1563	1	EXTENDED	
	S-2568	ROADRANGER VALVE ASSY		1	RTLO - W/SHIFT DIAGRAM MEDALLION	
	S-2737	MAINSHAFT ASSY	4304597	1		
	S-2775	RANGE SECTION ASSY		1		

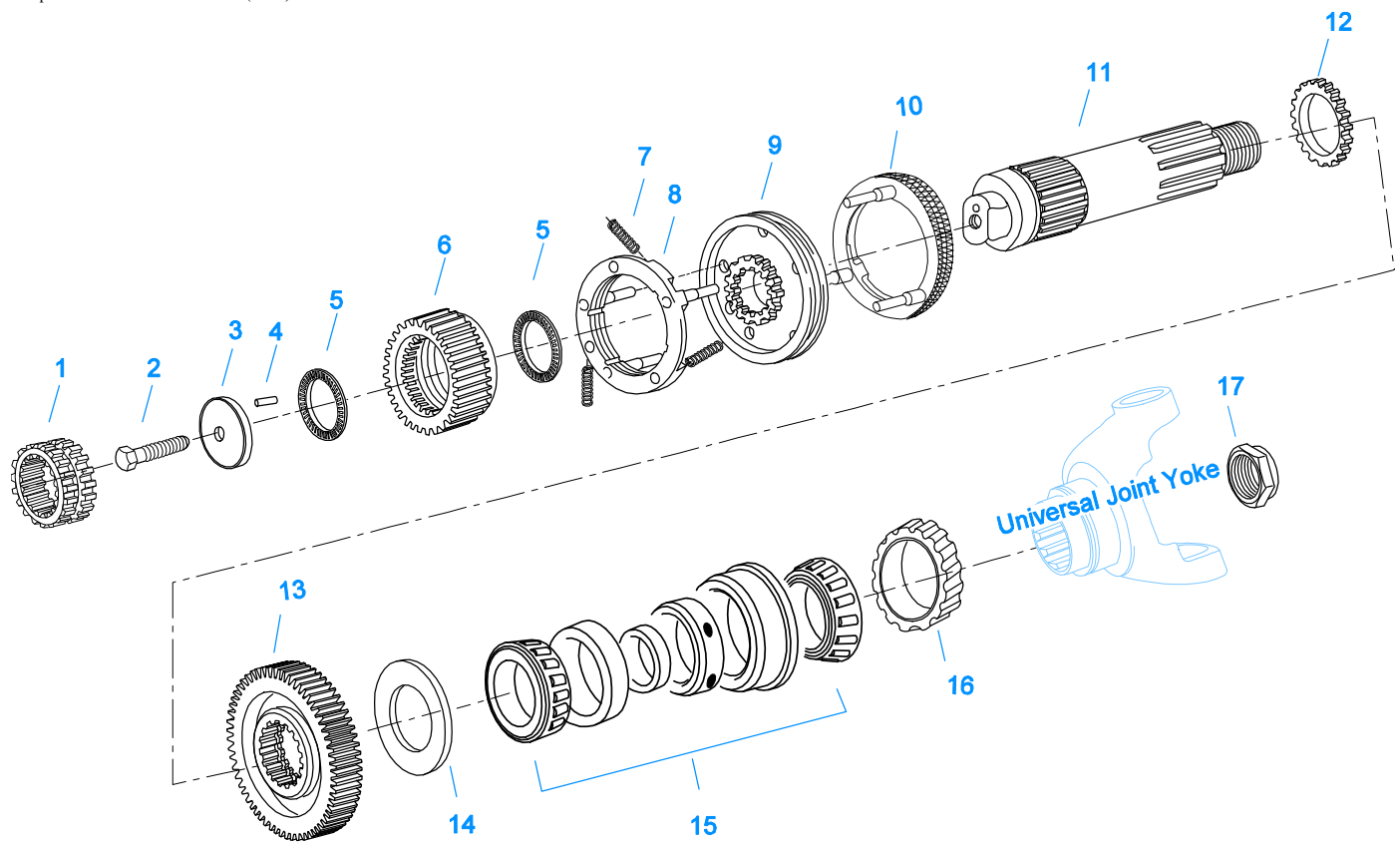


10200-10/92

LEVERS/HOUSINGS

Item	Current Part	Description	Replaced Part	Qty.	Notes	Kits/Assys Where Needed
1	K-3376	O-RING & WASHER KIT	4301211	1		
2	18299	PIN		1		K-1476,S-1677
3	X-8C-604	CAPSCREW		4	3/8"-16X1-1/4"	
4	X-1-600	NUT		4	3/8"-24-N.F.PLAIN	
5	X-3-600	LOCKWASHER		4	3/8"	
6	11934	STUD	7467	4		
7	K-1476	SHIFT LEVER HSG	4530 ,17163 ,18298 ,4304905 ,A - 4437	1	LOW TOWER	
8	4303432	GASKET	22799	1		K-2295
13	6541	PIN		1	3/8"	
14	K-2973	SHIFT LEVER HSG KIT	17166 ,17167 ,4303050 ,4304910 ,K - 1630 K - 1941	1	HIGH TOWER	
15	10427	BOOT		1		K-1476,K-2973,S-1579,S-1677,S-2130
16	X-1-500	NUT		1	5/16"-24	
17	X-3-500	LOCKWASHER		1	5/16"	
19	17560	LEVER GRIP		1	1/2"-13	
20	17600	GEAR SHIFT LEVER		1	STRAIGHT - LOW 21-1/2"	
20	18482	GEAR SHIFT LEVER		1	STRAIGHT - HIGH 35"	
21	2538	RETAINER		1		K-1476,K-2973,S-1579,S-1677,S-2130
22	2536	SPRING		1		K-1476,K-2973,S-1579,S-1677,S-2130
23	K-2428	LEVER REPLACEMENT KIT		1	LOW TOWER	
23	K-2429	LEVER REPLACEMENT KIT		1	HIGH TOWER	

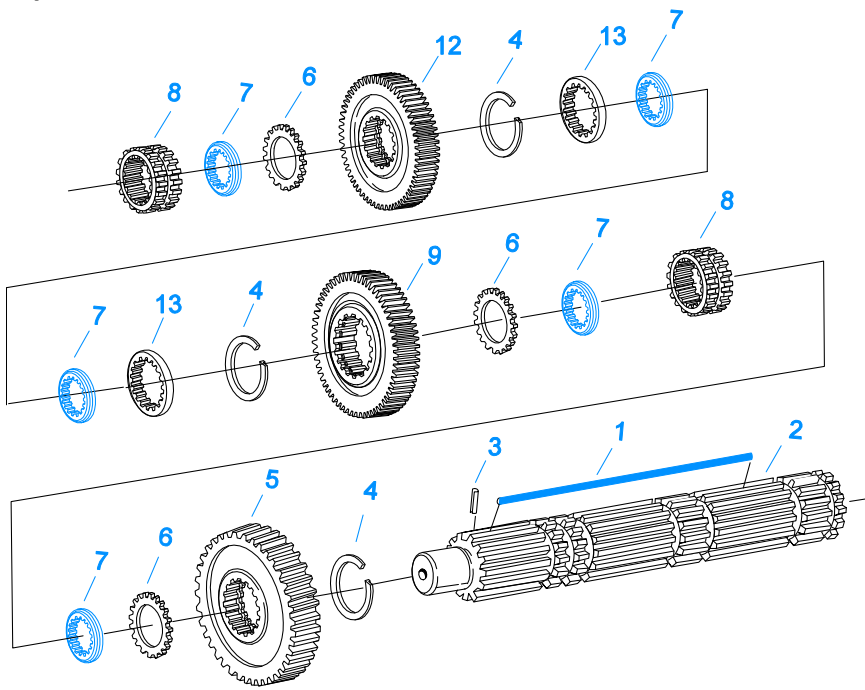
Item	Current Part	Description	Replaced Part	Qty.	Notes	Kits/Assys Where Needed
		KIT				
24	S-1579	SHIFT TOWER ASSY		1	HIGH TOWER	
24	S-1677	SHIFT TOWER ASSY		1	LOW TOWER	
33	S-2129	SHIFT LEVER HSG ASSY		1	LOW TOWER	
33	S-2130	SHIFT LEVER HSG ASSY	S - 2053	1	HIGH TOWER	



10423-10/92 Aux MS RTLO 10

MAINSHAFT & SYNCHRO(AUX)

Item	Current Part	Description	Replaced Part	Qty.	Notes	Kits/Assys Where Needed
1	21930	SLIDING CLUTCH		1		
2	X-7-1005	CAPSCREW		1	5/8"-18X1-3/4"	
3	A-6340	RETAINER ASSY	4302057	1		K-2764,K-2772
4	62511	ROLL PIN		1		A-6340
5	4302058	BEARING		2		K-2764,K-2772
6	4302695	SPLITTER GEAR-MAINSHAFT	4301940 ,4302066	1		
7	14897	SPRING		3		K-2755,K-2764,K-2772,K-3492,K-3494
8	A-7331	SYNCHRONIZER ASSY	4304396 4304397 A - 5917	1	HI RANGE	K-3492,K-3494
9	20323	SLIDING CLUTCH		1		K-3494
10	A-7254	SYNCHRONIZER ASSEMBLY	A - 4937 A - 5876	1	LO RANGE	K-3492,K-3494
11	4302076	AUXILIARY MAINSHAFT		1		
12	22262	SPACER		1		K-2755
13	4301400	REDUCTION GEAR		1		
14	22263	WASHER		1		K-2755
15	14367	BEARING		1		K-2764,K-2772
16	20192	ROTOR	14375	1		
17	22254	NUT	11956	1		S-2775



10322A-3-97 MS - LO Inertia

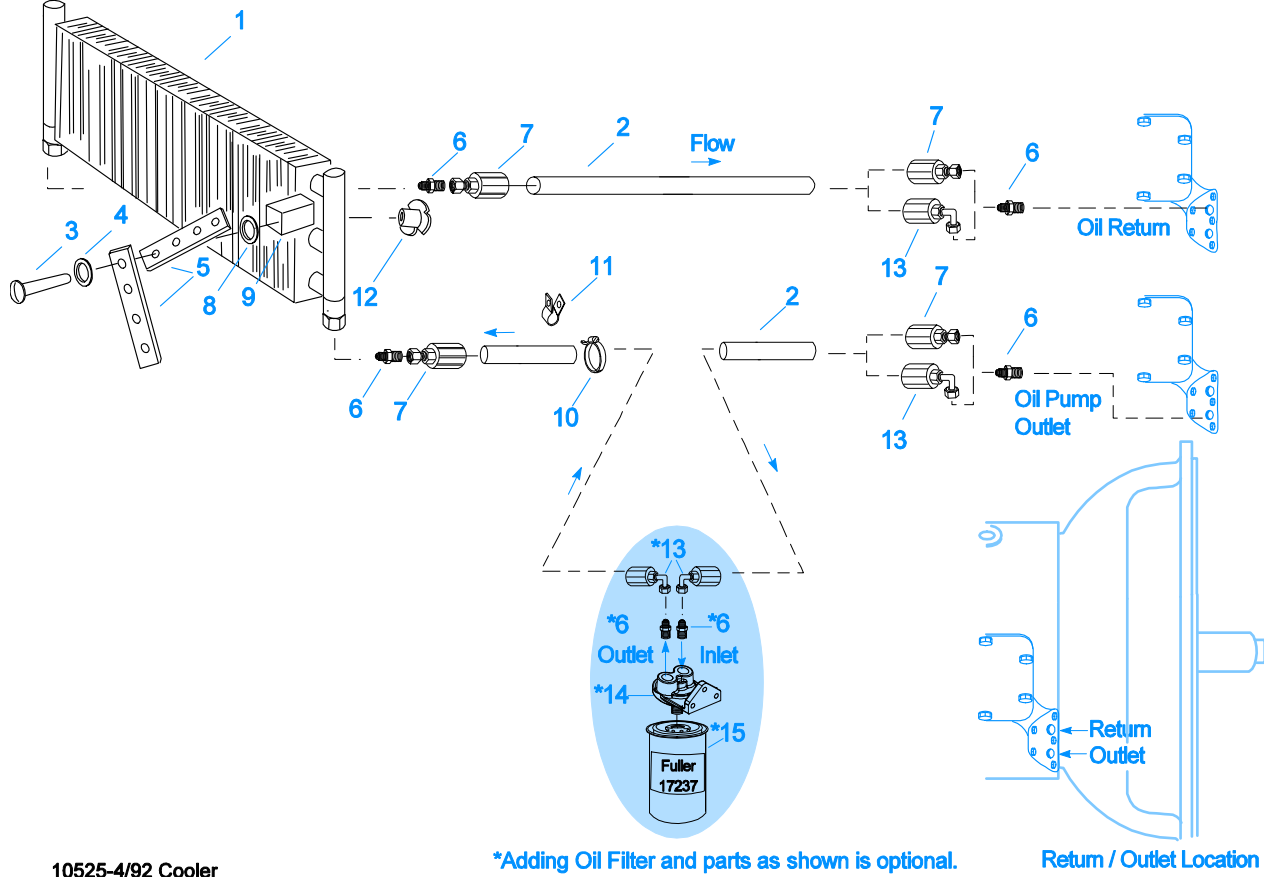
MAINSHAFT ASSY

Item	Current Part	Description	Replaced Part	Qty.	Notes	Kits/Assys Where Needed
1	4304614	3-SIDED KEY	4300890	1		K-2366,K-2755
1	K-2366	KEY & WASHER KIT	21326,4300763 ,4304614	1	CONTAINS 3-SIDED KEY	
2	S-2737	MAINSHAFT ASSY	4304597	1		S-2737
3	62504	ROLL PIN		1		K-2468,K-2755,K-2764,K-2772,K-4125
4	14750	SNAP RING		3		
5	16756	REVERSE GEAR-MAINSHAFT	22408	1		
6	14749	SPACER		3		K-2755
7	4300382	WASHER .249-WHITE		5		K-2366,K-2755
7	4300383	WASHER .254-GREEN		5	OPTIONAL 4300382-4300387 OR 4300830 USE ANY 5 WASHERS. USE WITH 3-SIDED KEY	K-2366,K-2755
7	4300384	WASHER .259-ORANGE		5	OPTIONAL 4300382-4300387 OR 4300830 USE ANY 5 WASHERS. USE WITH 3-SIDED KEY	K-2366,K-2755
7	4300385	WASHER .264-PURPLE		5	OPTIONAL 4300382-4300387 OR 4300830 USE ANY 5 WASHERS. USE WITH 3-SIDED KEY	
7	4300386	WASHER .269-YELLOW		5	OPTIONAL 4300382-4300387 OR 4300830 USE ANY 5 WASHERS. USE WITH 3-SIDED KEY	
7	4300387	WASHER .274-BLACK		5	OPTIONAL 4300382-4300387 OR 4300830 USE ANY 5 WASHERS. USE WITH 3-SIDED KEY	
7	4300830	WASHER .244-BLUE		5		K-2366,K-2755
8	16118	SLIDING CLUTCH		2		K-2764
9	4301396	LO GEAR-MAINSHAFT	4301519	1		
12	4303969	2ND GEAR-MAINSHAFT	4301394 ,4301517	1		
13	16288	SPACER		2		K-2755

MISCELLANEOUS

Item	Current Part	Description	Replaced Part	Qty.	Notes	Kits/Assys Where Needed
4303343		SHIFT DIAGRAM LABEL		1		
71203		SILICONE LUBE		1	8 OZ (236.59 CC)-FLEET SIZE	
71204		ADHESIVE SEALANT		1	0.5 CC (SINGLE APPLICATION SIZE)	K-3198
71205		SEALANT		1	2 CC (SINGLE APPLICATION SIZE)	K-2764,K-2772
71206		SILICONE LUBE		1	4 CC (SINGLE APPLICATION SIZE)	K-2078,K-2297,K-2298,K-2428,K-2429,K-3333,K-3334

Group: OIL COOLER



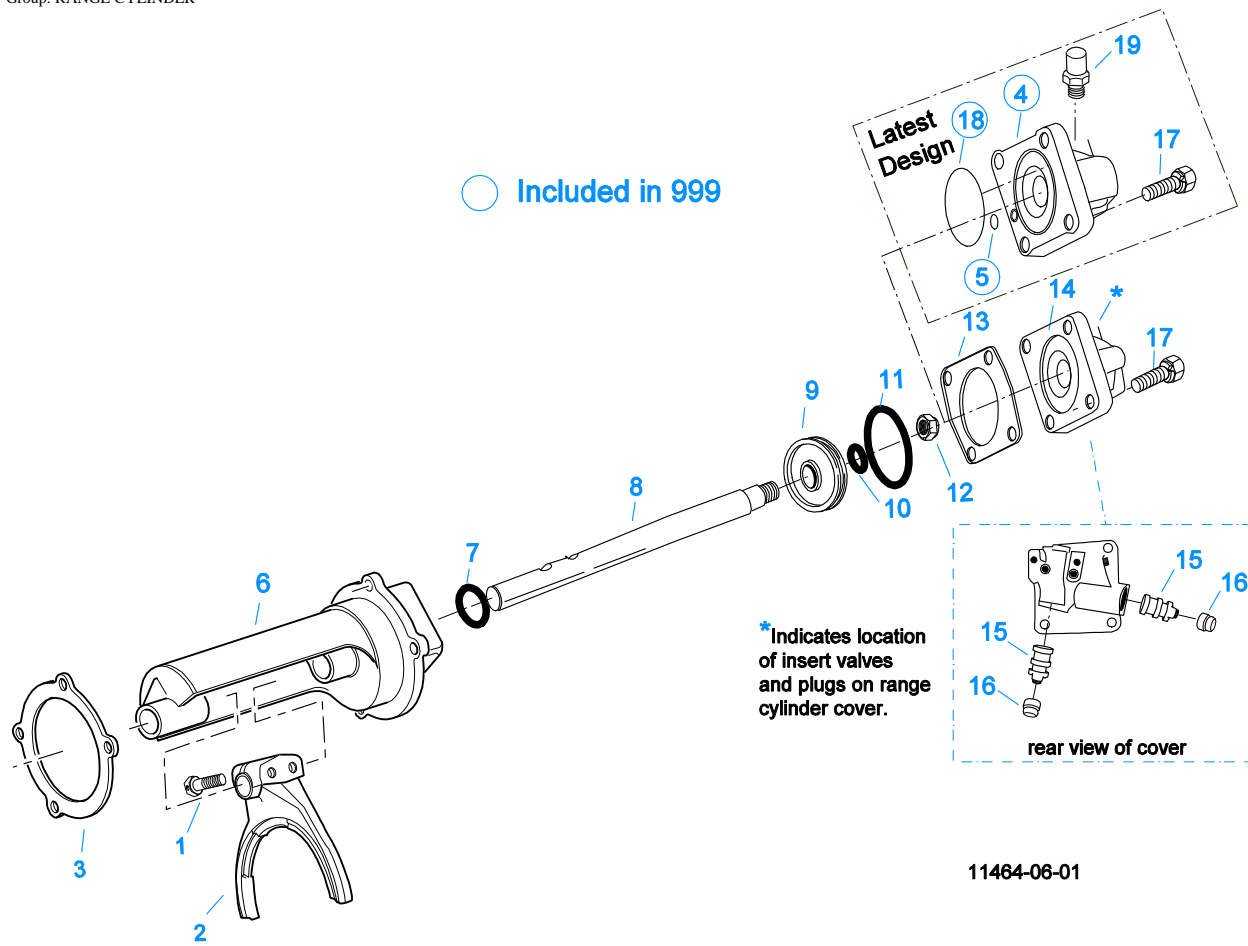
10525-4/92 Cooler

*Adding Oil Filter and parts as shown is optional.

Return / Outlet Location

OIL COOLER

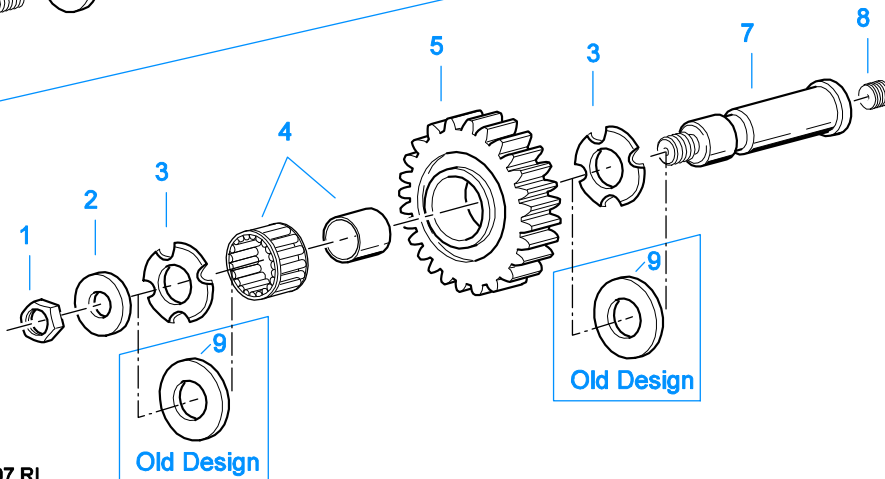
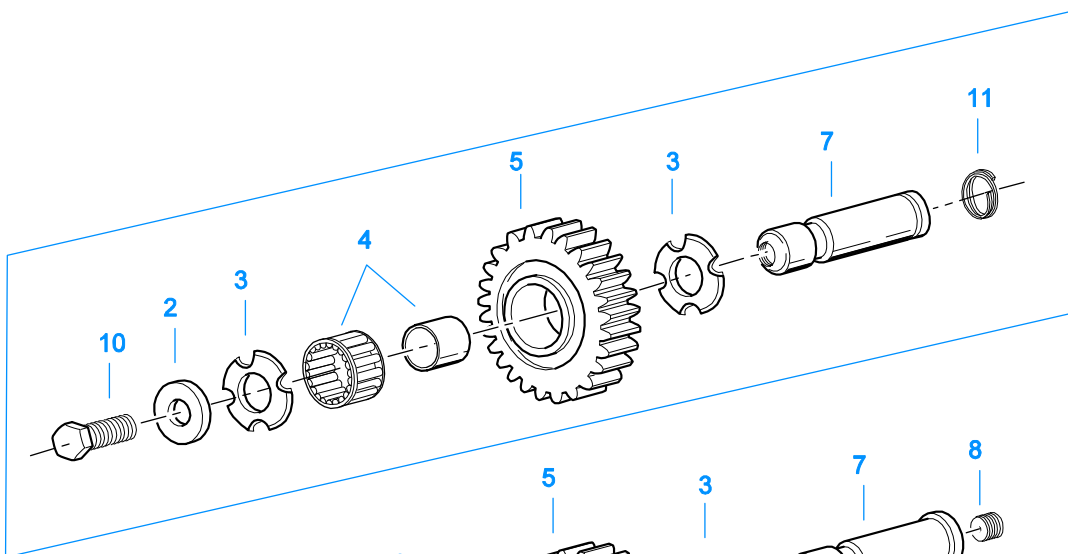
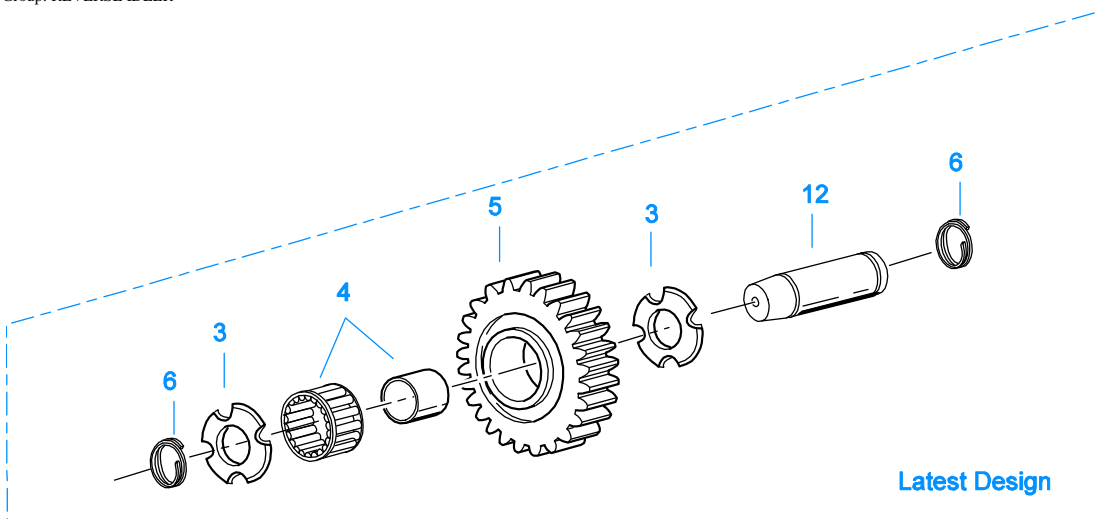
Item	Current Part	Description	Replaced Part	Qty.	Notes	Kits/Assys Where Needed
1	18025	OIL COOLER		1		K-1956
2	19424	HOSE		1	25 FEET	K-1956
3	X-8-535	CAPSCREW		2	5/16"-16X2-1/2"	
4	X-3-506	LOCKWASHER		2	5/16"	
5	18211	BRACKET		4		K-1956
6	19419	CONNECTOR		6		K-1956,S-1404
7	19415	SWIVEL		4		K-1956
8	X-10-501	WASHER		2	5/16"	
9	18209	PLUG-RUBBER MOUNT		2		K-1956
10	17190	STRAP		8		K-1956
11	19423	CLAMP		5		K-1956
12	18210	NUT		2		K-1956
13	19422	ELBOW		4		K-1956
14	S-1404	OIL FILTER	17238	1		
15	17237	FILTER ELEMENT		1		S-1404



11464-06-01

RANGE CYLINDER

Item	Current Part	Description	Replaced Part	Qty.	Notes	Kits/Assys Where Needed
1	X-7-809	BOLT	X 7 810 ,X 7 811	2	1/2"-20X1-3/4"	
2	22823	SHIFT YOKE	16775	1		
3	14347	GASKET		1		K-1603,K-2295,K-2297,K-2298
4	K-3334	RANGE VALVE REPL KIT	A - 6864	1		
5	14197	-O- RING		1		K-2297,K-2298,K-3334
6	4303682	RANGE CYLINDER	4301789	1		
7	14765	-O- RING		1		K-2297,K-2298
8	4301558	YOKE BAR		1		
9	14341	PISTON	23353	1		
10	14345	-O- RING		1		K-2297,K-2298
11	14344	-O- RING		1		K-2297,K-2298
12	X-1-1010	NUT		1	5/8"-18	
13	22826	GASKET		1		K-1603,K-2295,K-2297,K-2298,S-1984
14	22825	RANGE CYLINDER COVER		1		S-1984
15	4300810	INSERT VALVE	22641 4303615	2		K-2764,K-2772,S-1984
16	23009	PLUG		2		S-1984
17	X-8L-607	CAPSCREW	X 8 607	4	3/8"-16X2-1/4", 3/8"-16X2-1/4"	
18	5568539	O-RING		1		K-2297,K-2298,K-3334
19	X2014210	BREATHER	7935	1		
999	K-3334	RANGE VALVE REPL KIT	A - 6864	1		

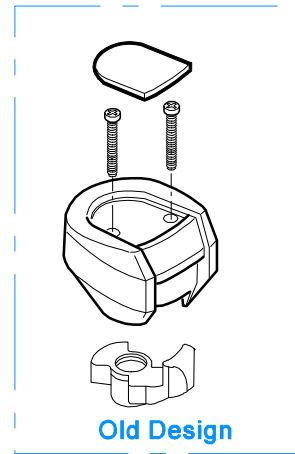
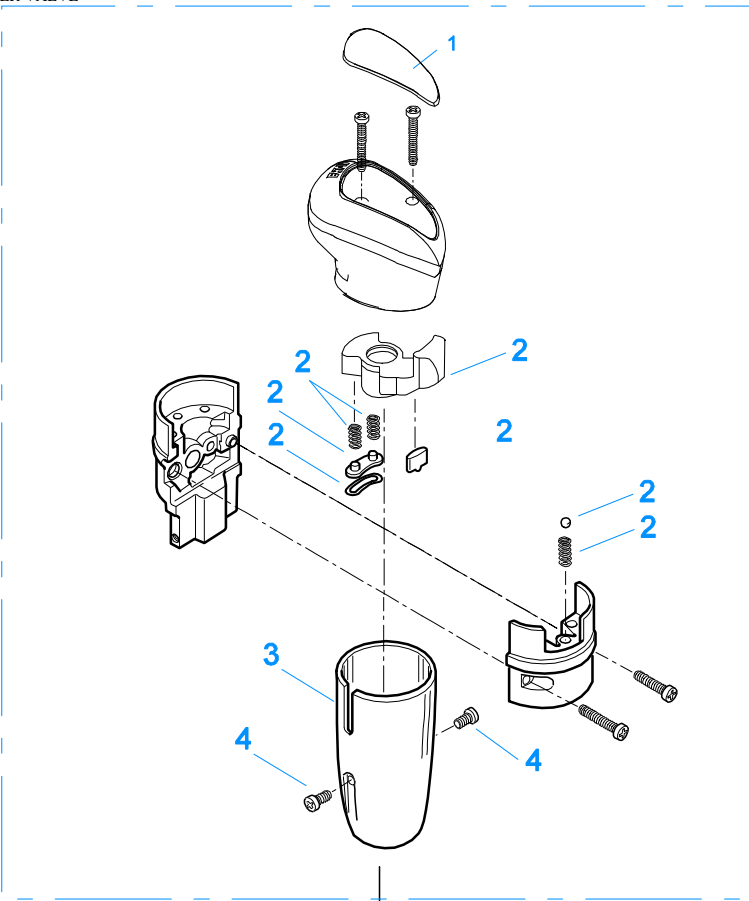


11383-5-97 RI

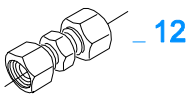
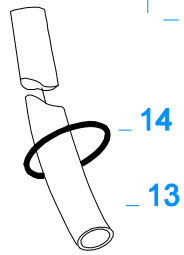
REVERSE IDLER

Item	Current Part	Description	Replaced Part	Qty.	Notes	Kits/Assys Where Needed
1	X-1-1008	NUT		2	5/8"-18	
2	14283	WASHER		2		
3	4302982	WASHER	14282	4		K-3209,S-2061,S-2062
4	14287	BEARING	4305020	2		K-2764,K-2772
5	16757	REVERSE IDLER GEAR	22409	2		
6	4303336	RETAINING RING		4		K-3209
7	K-3209	IDLER SHAFT REPL KIT	16405 ,4302981 ,4305513	2		
8	5202	PLUG		2		

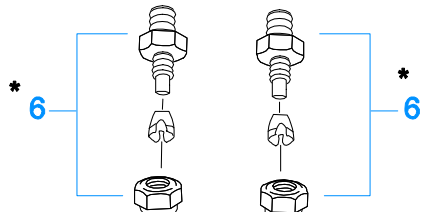
Item	Current Part	Description	Replaced Part	Qty.	Notes	Kits/Assys Where Needed
9	14282	NO LONGER AVAILABLE		4		
10	X-7-1008	CAPSCREW		2	5/8"-18X1-1/4	
11	4303336	RETAINING RING		2		K-3209
12	4305513	IDLER SHAFT		2		K-3209



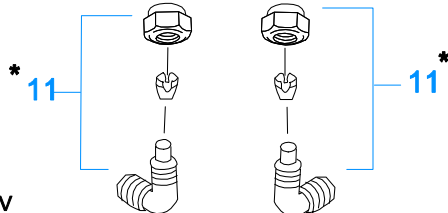
999



2 K-2347 Rep Kit Master Valve



See: Appendix / Air Line Tubing

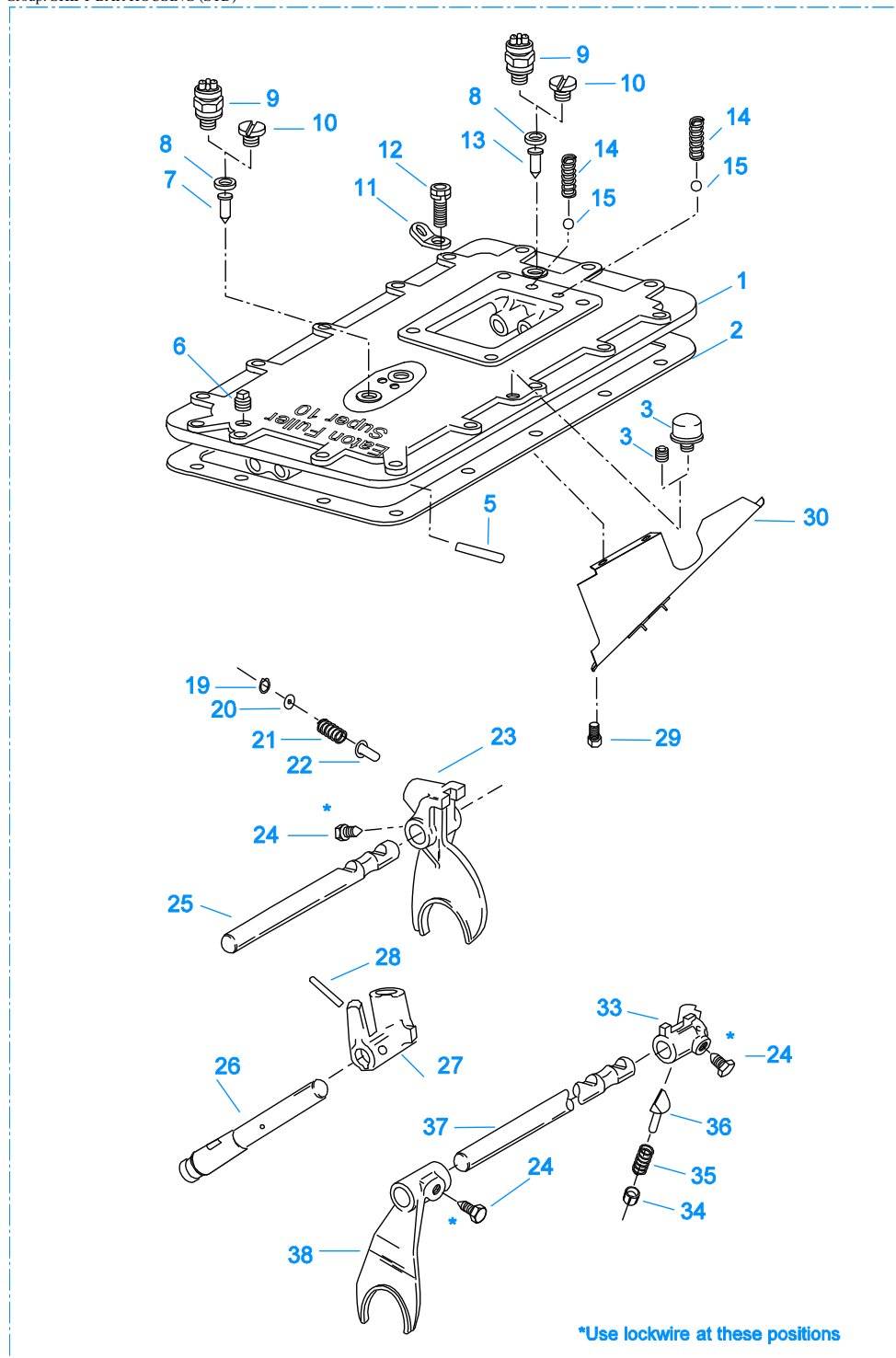


10104-11/92 RRV

* For Connector and Elbow Assy component information see Appendix.

ROADRANGER VALVE

Item	Current Part	Description	Replaced Part	Qty.	Notes	Kits/Assys Where Needed
1	20107	MEDALLION, LOGO		1	(OLD DESIGN) FULLER LOGO ONLY	
1	5586100	MEDALLION, LOGO		1	(LATEST DESIGN) FULLER LOGO ONLY	A-6910
1	5586109	SHIFT DIAGRAM MEDALLION		1	RTLO	S-2568
2	K-2347	MASTER VALVE REPAIR KIT		1	FOR A-5510 VALVE	
2	K-3190	MASTER VALVE REPAIR KIT		1	FOR A-6910 VALVE	
3	20112	COVER		1		A-6910
4	X-8-213	SCREW	X 8 202	2	8-32X3/8"	
5	X-9-802	NUT		1	1/2"-13	
6	84001	CONNECTOR ASSY	82501	2	1/8" TUBE-1/16" NPTF	
6	84003	CONNECTOR ASSY	82503	2	5/32" TUBE-1/16" NPTF	
6	84005	CONNECTOR ASSY		2	"PUSH-TO-CONNECT" 5/32" TUBE-1/16" NPTF	K-2764
11	85001	ELBOW ASSY	84501	2	5/32" TUBE-1/8" NPTF	
11	85002	ELBOW ASSY	84502	2	1/8" TUBE-1/8" NPTF	
11	85003	ELBOW ASSY		2	"PUSH-TO-CONNECT" 5/32" TUBE-1/8" NPTF	K-2764, K-3121, K-3198, K-3333, K-3334
12	84101	UNION ASSY		1	1/8" TUBING	
12	84102	UNION ASSY		1	5/32" TUBING	
12	84103	UNION ASSY		1	"PUSH-TO-CONNECT" 5/32" TUBING	
13	80120	SHEATHING (50 FT ROLL)		1	5/32" - BLACK 50'	
14	13571	-O- RING CLAMP		2		
999	A-6910	ROADRANGER VALVE ASSY	A - 5510	1	STANDARD-W/LOGO	
999	S-2568	ROADRANGER VALVE ASSY		1	RTLO - W/SHIFT DIAGRAM MEDALLION	



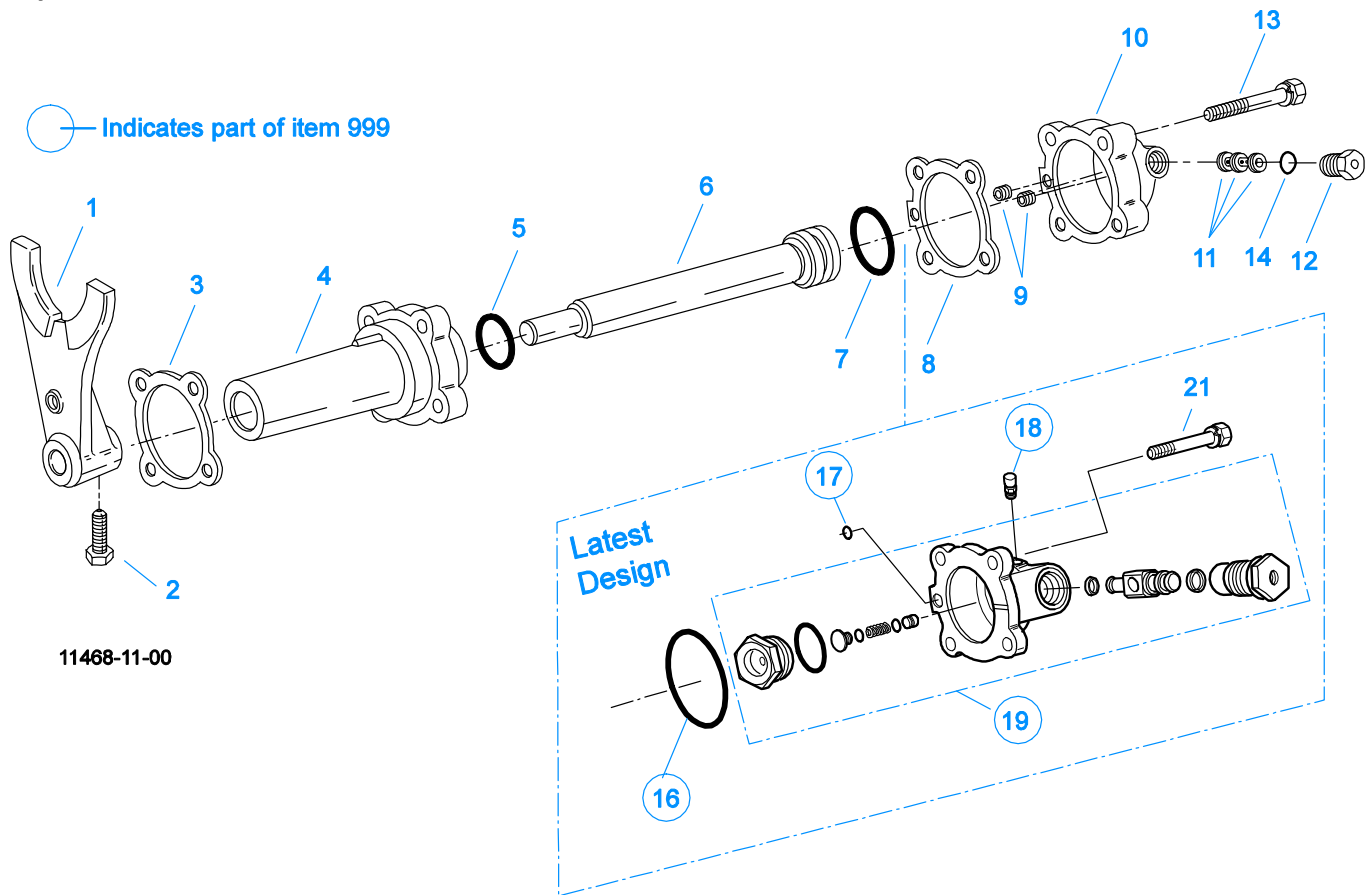
999

10223-5/93 STD Super 10

SHIFT BAR HOUSING (STD)

Item	Current Part	Description	Replaced Part	Qty.	Notes	Kits/Assys Where Needed
1	S-2073	SHIFT BAR HSG ASSY (STD)	4301786	1	HOUSING ONLY	
2	4302676	GASKET	14918	1		K-2295,S-2058,S-2073,S-2074
3	4304602	BREATHER	23605	1	1/4" NPT	
3	X-12-404	PIPE PLUG		1	1/4" NPT	

Item	Current Part	Description	Replaced Part	Qty.	Notes	Kits/Assys Where Needed
5	22812	PIN		1		S-2058,S-2074
6	X-12-603	PIPE PLUG	X12 602	1	3/8" NPT	
7	4301999	PIN	22871	1		
8	15900	GASKET		2		S-2058,S-2073,S-2074
9	22940	REV/NEUTRAL LIGHT SWITCH	16830	2	SWITCH NORMALLY OPEN	
10	4303656	PLUG	15917	2		S-2058,S-2073,S-2074
11	20815	LIFTING EYE	17105	2		
12	X-8L-602	CAPSCREW		2	3/8"-16X1-1/2"	
12	X-8L-604	CAPSCREW		16	3/8"-16X1-1/4" OR USE 14 PCS OF X-8L-604 AND 2 PCS OF X-8L-602	
13	15899	PIN		1		S-2058,S-2074
14	15918	SPRING		2		K-2755,K-2764,S-2058,S-2074
15	X-14-800	STEEL BALL		2	1/2"	
19	22815	SNAP RING		1		S-1786,S-2058
20	22814	WASHER		1		S-1786,S-2058
21	22809	SPRING		1	W/SHIFT LEVER	K-2755,S-1786,S-2058
21	4302195	SPRING		1	W/REMOTE CONTROL	K-2755
22	22811	PLUNGER		1		S-1786,S-2058
23	S-1786	SHIFT YOKE ASSY	22801	1		
24	3220	LOCKSCREW		3		S-2058,S-2074
25	4301787	YOKE BAR		1	REVERSE/1ST	S-2058,S-2074
26	4301788	INTERLOCK BAR		1		S-2058,S-2074
27	4301553	SELECTOR BLOCK		1		S-2058,S-2074
28	5558502	PIN		1		S-2058,S-2074
29	X-8-423	CAPSCREW		2	1/4"-20X1/2"	
30	20070	OIL TROUGH		1		S-2058,S-2074
33	22803	SHIFT BLOCK		1		S-2058
34	8968	PLUG		1		S-2058
35	18739	SPRING		1	W/SHIFT LEVER	K-2755,S-2058
35	4302196	SPRING		1	W/REMOTE CONTROL	K-2755
36	10019	PLUNGER		1		S-2058
37	22805	YOKE BAR		1	4TH/5TH	S-2058,S-2074
38	16136	SHIFT YOKE		1		S-2058,S-2074
999	S-2058	SHIFT BAR HSG ASSY (STD)	22800 ,4301786 ,S-1968	1	COMPLETE-FOR USE W/SHIFT LEVER	
999	S-2074	SHIFT BAR HSG ASSY (STD)	4301786	1	COMPLETE-FOR USE W/REMOTE CONTROL	

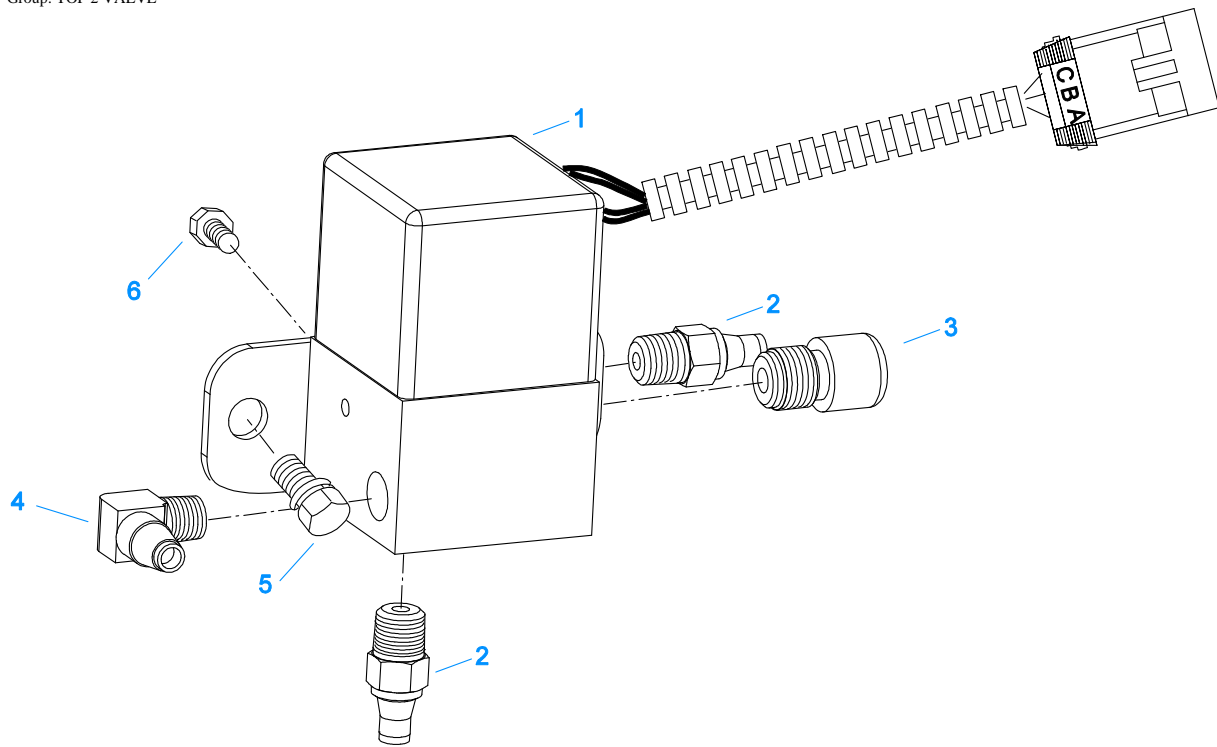


11468-11-00

SPLITTER CYLINDER

Item	Current Part	Description	Replaced Part	Qty.	Notes	Kits/Assys Where Needed
1	21607	SHIFT YOKE		1		
2	3220	LOCKSCREW		1		S-2058,S-2074
3	14632	GASKET		1	PRIOR TO SERIAL NUMBERS 51135817, 70768176 & PRIOR TO SERIAL NUMBERS STARTING WITH AN ALPHA CHARACTER	K-1603,K-2078,K-2295,K-2298
3	4303583	GASKET		1	BEGINNING W/SERIAL NUMBERS 51135817, 70768176 & ALL SERIAL NUMBERS STARTING WITH AN ALPHA CHARACTER	K-1603,K-2078,K-2295,K-2298
4	21609	SPLITTER CYLINDER		1	PRIOR TO SERIAL NUMBERS 51135817, 70768176 & PRIOR TO SERIAL NUMBERS STARTING WITH AN ALPHA CHARACTER	
4	4303582	SPLITTER CYLINDER		1	BEGINNING W/SERIAL NUMBERS 51135817, 70768176 & ALL SERIAL NUMBERS STARTING WITH AN ALPHA CHARACTER	
5	21208	-O- RING		1		K-2078,K-2298
6	4300182	YOKE BAR		1		
7	21209	-O- RING		1		K-2078,K-2298
8	17073	GASKET		1		K-1603,K-2078,K-2295,K-2298
9	X-12-101	PLUG		2	NOT SOLD FOR SERVICE	
10	21760	COVER		1		
11	19974	INSERT VALVE	15512 4303616	1		K-2764,K-2772
12	4301233	REDUCER BUSHING	18004	1		
13	X-8L-540	CAPSCREW		4	5/16"-18X1-7/8"	
14	5568504	-O- RING		1		
16	5568534	-O- RING		1		K-2078,K-2298,K-3333
17	13653	-O- RING		1		K-2298,K-3333

Item	Current Part	Description	Replaced Part	Qty.	Notes	Kits/Assys Where Needed
18	X2014210	BREATHER	7935	1		
19	K-3333	SPLITTER VLV REPL KIT	A - 6861	1		
21	X-8L-540	CAPSCREW		4	5/16"-18X1-7/8"	
999	K-3333	SPLITTER VLV REPL KIT	A - 6861	1		



10139-12-97 Top 2

TOP 2 VALVE

Item	Current Part	Description	Replaced Part	Qty.	Notes	Kits/Assys Where Needed
1	K-3198	T-2 VALVE KIT	691300 ,691359	1		
2	84006	CONNECTOR ASSY		2	"PUSH-TO-CONNECT" 5/32" TUBE-1/8" NPTF	K-3121, K-3198
3	7935	BREATHER		1		K-3198
4	85001	ELBOW ASSY	84501	1	5/32" TUBE-1/8" NPTF	
5	X-8C-556	CAPSCREW	X 8L 500	2	5/16"-18X3/4"	
6	X-8-214	SCREW		2		