



Eaton Fuller RTLO-14718B Transmission Parts Manual

This is Eaton Fuller RTLO-14718B Transmission parts manual brought to you by Pro Gear and Transmission to assist you identifying the parts for your Eaton / Fuller transmission unit.

If you need any assistance identifying the correct Eaton / Fuller unit for your truck and equipment, contact your Eaton replacement parts specialists at Pro Gear and Transmission.

Pro Gear stocks every part for your Eaton transmission including: Valve Assemblies, Synchronizers, Yoke Assemblies, O-Ring Kits, Drive Gears, Gaskets, Bearing and Seal Kits, and much more.

Pro Gear and Transmission has same day shipping and thousands of products in stock and ready to ship internationally for your next project.

For parts or service contact the Eaton transmission specialists at Pro Gear & Transmission, Inc.

 CALL US

 EMAIL US

 VISIT MODEL PAGE

 VISIT ONLINE STORE

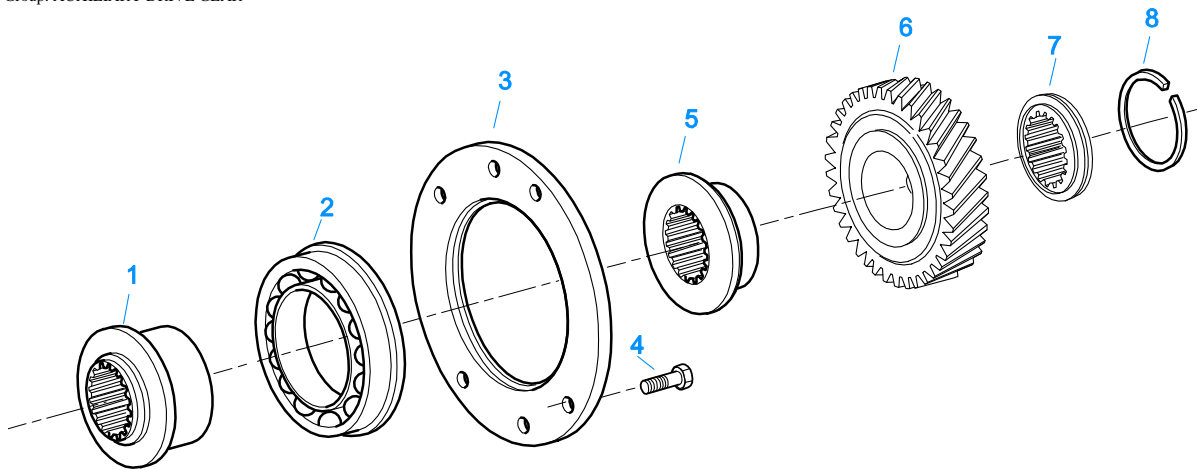


Roadranger®

More time on the road®

Illustrated Parts List

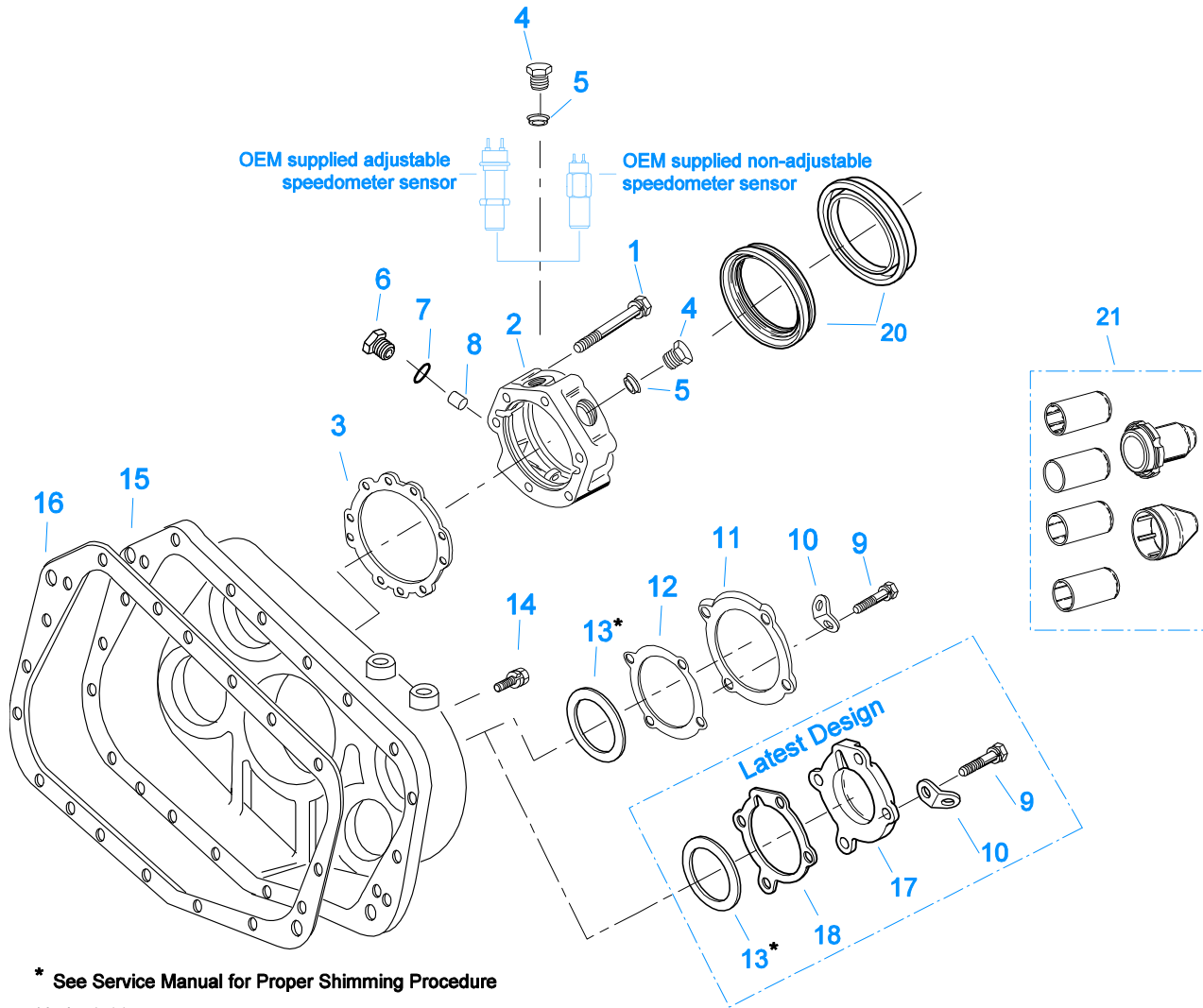
RTLO-14718B
July 2011



10484A-5-10

AUXILIARY DRIVE GEAR

Item	Current Part	Description	Replaced Part	Qty.	Notes	Kits/Assys Where Needed
1	4303673	SPACER	4302046	1		
2	5566508-BOX	BEARING	5566503,5566508	1		K-2288,K-2779
3	4300894	RETAINER		1		
4	X-8-645	CAPSCREW	X 8 612	6	3/8"-16X1"	
5	4300911	SPACER		1		K-2808
6	K-2808	REPL KIT-DRIVE GEAR	4300932 ,4300938	1		
7	4303185	WASHER	4300901	1		K-2808
8	4301254	SNAP RING		1		K-2288,K-2779,K-2801,K-2808

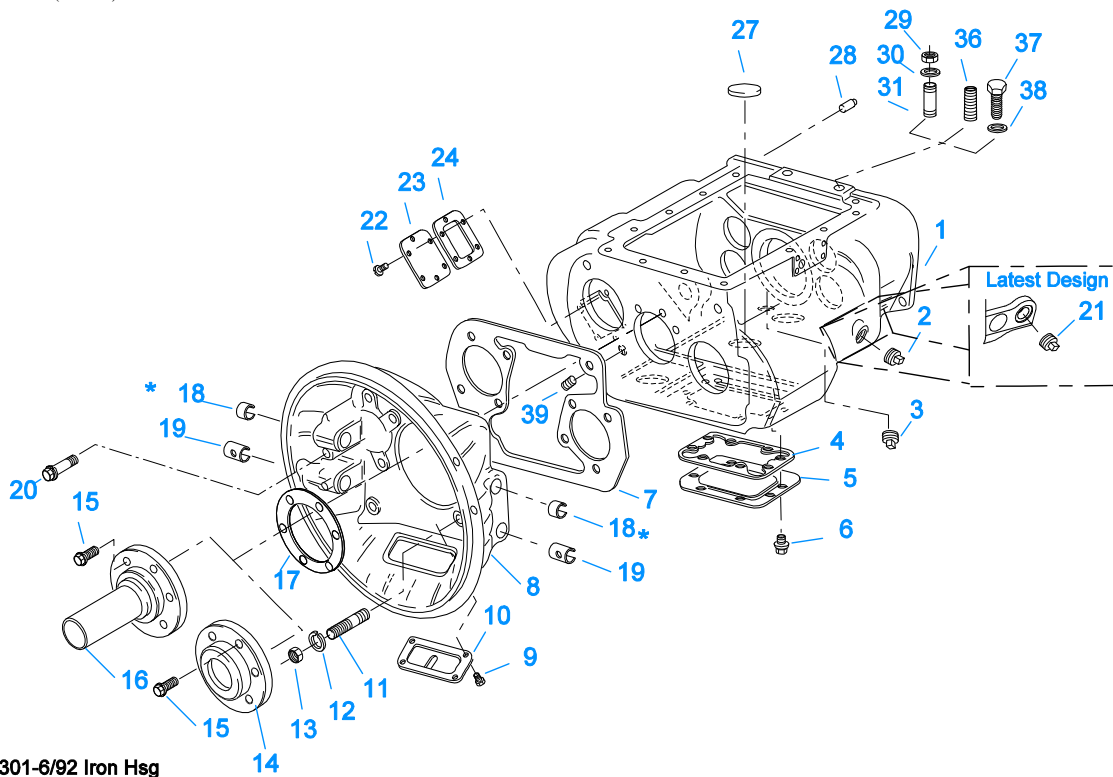


* See Service Manual for Proper Shimming Procedure
10405-3-99

CASE (AUX)

Item	Current Part	Description	Replaced Part	Qty.	Notes	Kits/Assys Where Needed
1	X-8L-611	CAPSCREW		6	3/8"-16X3-1/4"	
2	S-2107	REAR BRG COVER ASSY	4300892	1		
3	21364	GASKET		1		K-1603,K-2199,K-2262,S-2107
4	20224	PLUG-MAGNETIC		2		S-2107,S-2754
5	4301954	SENSOR SEAL		2		S-2107
6	20226	PLUG-MECHANICAL		1		S-2107,S-2754
7	14142	-O- RING		1		S-2107,S-2754
8	7992	BUSHING		1		S-2107
9	X-8L-604	CAPSCREW		8	3/8"-16X1-1/4"	
10	20815	LIFTING EYE		2		S-2754
11	4300925	REAR BEARING COVER		2	PRIOR TO SERIAL NUMBER 51130451 & PRIOR TO SERIAL NUMBERS STARTING WITH AN ALPHA CHARACTER	
12	4300186	GASKET		2	PRIOR TO SERIAL NUMBER 51130451 & PRIOR TO SERIAL NUMBERS STARTING WITH AN ALPHA CHARACTER	K-1603,K-2199
13	K-2805	SHIM KIT	21452 K - 2106	1		K-2288,K-2769,K-2779,S-2754
14	X-8L-602	CAPSCREW		17	3/8"-16X1-1/2"	
14	X-8L-614	CAPSCREW		2	3/8"-16X2"	
15	4300915	REAR HOUSING		1	PRIOR TO SERIAL NUMBER	

Item	Current Part	Description	Replaced Part	Qty.	Notes	Kits/Assys Where Needed
15	4303585	REAR HOUSING		1	51130451 & PRIOR TO SERIAL NUMBERS STARTING WITH AN ALPHA CHARACTER BEGINNING W/SERIAL NUMBER 51130451 & ALL SERIAL NUMBERS STARTING WITH AN ALPHA CHARACTER	
16	14335	GASKET		1		K-1603,K-2199,S-2754
17	4302320	COVER	21346	2	BEGINNING W/SERIAL NUMBER 51130451 & ALL SERIAL NUMBERS STARTING WITH AN ALPHA CHARACTER	S-2754
18	4305978	GASKET	4302246	1	BEGINNING W/SERIAL NUMBER 51130451 & ALL SERIAL NUMBERS STARTING WITH AN ALPHA CHARACTER	K-1603,K-2199,S-2754
20	K-2262	OIL SEAL W/SLINGER	19109 20807 20808	1	"FOR MECHANICAL COVER"	K-2288,K-2769,K-2779
21	K-3651	OIL SEAL TOOL KIT		1		



10301-6/92 Iron Hsg

* Bushing quantity requirements: #1 Housing – Upper bore use 4 #12815 / Lower bore use 2 #8677.

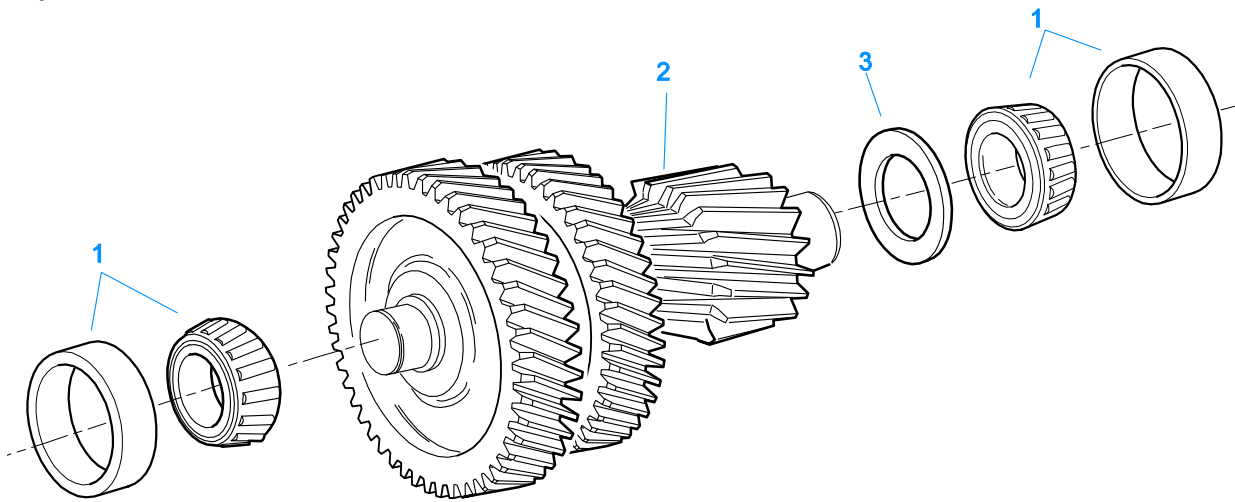
#2 Housing – Upper bore use 2 #12815 and 1 #8677 / Lower bore use 2 #8677.

Note: Some part requirements are specific to #1 or #2 Clutch Housings and Push or Pull type Clutch.

CASE (FRONT)

Item	Current Part	Description	Replaced Part	Qty.	Notes	Kits/Assys Where Needed
1	S-2128	CASE ASSY	4300898	1		
2	X-12-2007	PIPE PLUG	X12 2006	1		
3	X-12-1207	PIPE PLUG	X12 1202 ,X12 1206	1	3/4" MAGNETIC	
4	4305310	GASKET	4302810	1		K-2199
5	4302809	PTO COVER	16596 ,4300571	1		
6	X-8-725	CAPSCREW		8	7/16"-14X7/8"	
7	4306584	CLUTCH HOUSING GASKET	4304815,4305668	1		K-2199
8	A-3713	CLUTCH HOUSING ASSY	A - 3700	1	#1 PUSH-PULL IRON	
8	A-3723	CLUTCH HOUSING ASSY	A - 3721 ,A - 3722	1	#2 PUSH-PULL IRON	
9	239614	SCREW	X-8L-509	4	5/16-18X.81 QUANTITY DEPENDENT ON DESIGN	
10	14506	HAND HOLE COVER		1	#2 PUSH	
10	14507	HAND HOLE COVER		1	#2 PULL	
10	4305230	HAND HOLE COVER	11453	1	#1 PULL	
10	4305231	HAND HOLE COVER	1565	1	#1 PUSH	
11	4306583	STUD	5966	6		
12	X-10-1005	WASHER	X 3 1000 ,X10 1000 ,X10 1004	6	1.23 X 6.60	
13	X-1-1012	HEX NUT	X-1-1005	6	.625-18	
14	20550	FRONT BEARING COVER		1	2" PULL	K-2468,K-4125
15	X-8L-604	CAPSCREW		6	3/8"-16X1-1/4"	
16	20549	FRONT BEARING COVER		1	2" PUSH	
17	14311	GASKET		1		K-2199
18	12815	BUSHING		4	FOR #1 HOUSING UPPER	A-3713,A-3723,K-2468
18	12815	BUSHING		2	FOR #2 HOUSING UPPER	A-3713,A-3723,K-2468
18	8677	BUSHING		1	FOR #2 HOUSING UPPER	A-3713,A-3723
19	8677	BUSHING		2	FOR #1 AND #2 HOUSING LOWER	A-3713,A-3723
20	X-8C-830	HEX HEAD SCREW/WASHER ASSY	X-8C-826	2	.500-13 X 1.490, FOR IRON HOUSING	
20	X-8C-831	HEX HEAD SCREW/WASHER ASSY	X-8C-822	2	.500-13 X 3.460, FOR IRON HOUSING	

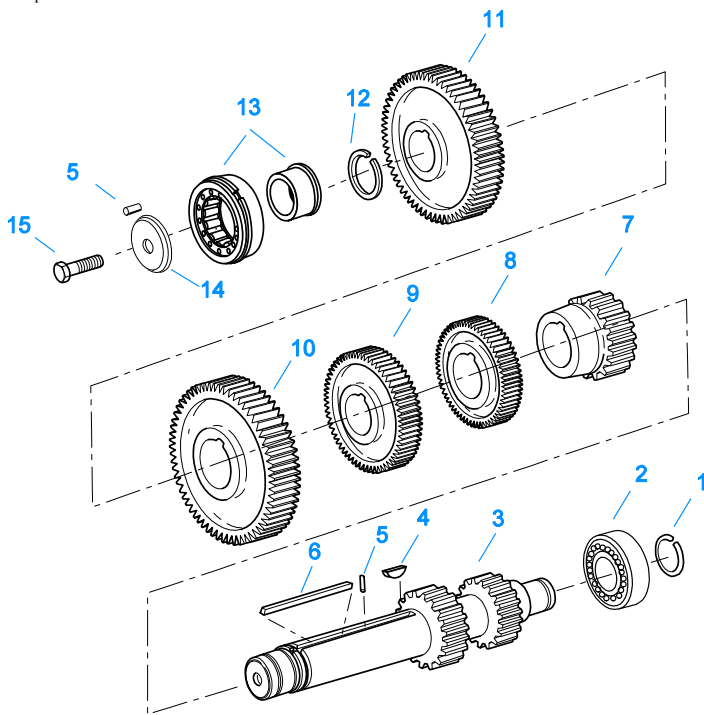
Item	Current Part	Description	Replaced Part	Qty.	Notes	Kits/Assys Where Needed
21	4304023	PLUG	4303747	1	1-1/16" MAGNETIC, O-RING INCLUDED	S-2128
22	X-8-686	CAPSCREW		6	3/8"-16X3/4"	
23	14575	PTO COVER	4302254	1		
24	4305309	GASKET	1684	1		K-2199
27	14373	MAGNET		3		S-2128
28	18128	PIN		2		
29	X-1-1012	HEX NUT		2	.625-18	
30	X-10-1005	WASHER	X 3 1000 ,X10 1000 ,X10 1004	2	1.23 X 6.60	
31	14554	STUD	1632 ,6579	2	5/8" X 2-3/16"	
36	23104	PLUG	1712	2		
37	X-8-1005	CAPSCREW		2	5/8"-11X1-1/4"	
38	20814	SPACER		2		
39	X-12-802	PIPE PLUG		1	1/2"	



10444-5/93 CS Helical

COUNTERSHAFT & BRGS(AUX)

Item	Current Part	Description	Replaced Part	Qty.	Notes	Kits/Assys Where Needed
1	4301851-BOX	BEARING	4301851	4		K-2288,K-2769,K-2779
2	K-3220	COUNTERSHAFT REPLT KIT	4301792 ,4301793 ,A - 6187 ,A - 6602 ,A - 6603	2		
3	4303124	SPACER	K-3220	2		

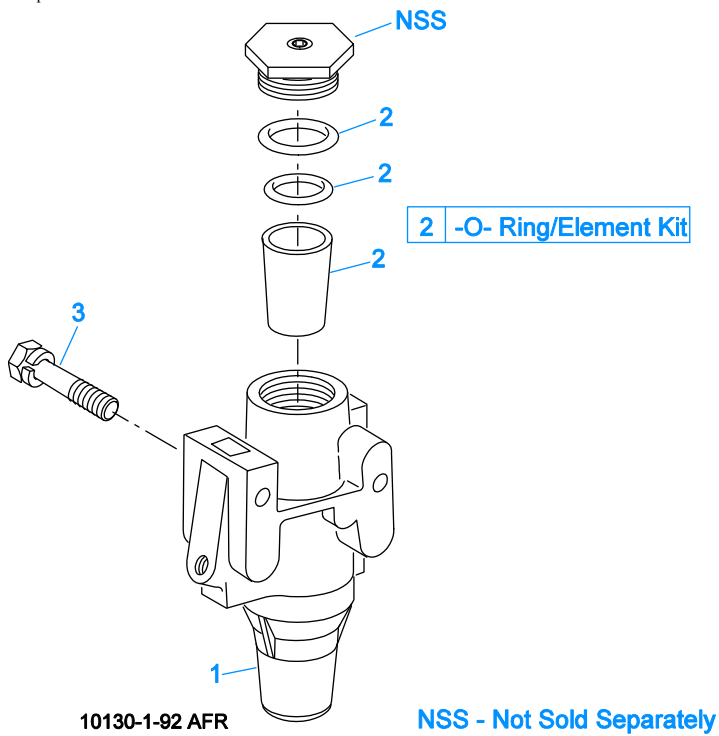


10341-1/92 CS/RT

COUNTERSHAFT ASSY

Item	Current Part	Description	Replaced Part	Qty.	Notes	Kits/Assys Where Needed
1	14317	SNAP RING		2		K-2288,K-2779,K-2801
2	4303031	BEARING	14366	2		K-2288,K-2779
3	K-2934	COUNTERSHAFT REPL KIT	19549	2		
4	X-6-E	KEY		2		
5	62511	ROLL PIN		4		K-2801
6	4304840	KEY	19673	2		
7	21025	1ST GEAR-CNTRSHFT	19629	2		
8	21264	2ND GEAR-CNTRSHFT	19623	2		
9	4300191	OD GEAR-CNTRSHFT	4305071	2		
10	15953	PTO GEAR - LOWER		1		
10	20840	PTO GEAR - UPPER		1		
11	4305665	DRIVE GEAR-CNTRSHFT	21018,4305069	2		
12	19198	SNAP RING		2		
13	4304599	BEARING	4302677 4304598	2		K-2288,K-2779
14	4304605	RETAINER	19548	2	ROLL PIN NO LONGER REQUIRED	
15	X-7-1005	CAPSCREW		2	5/8"-18X1-3/4"	

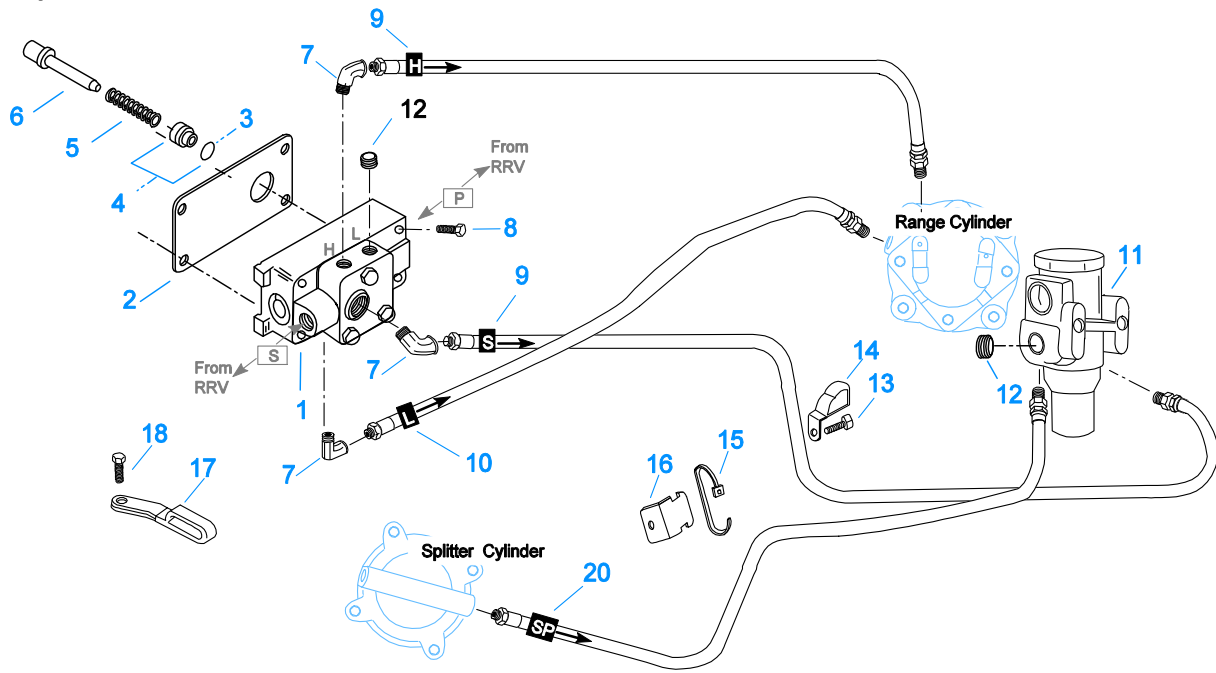
Group: FILTER REGULATOR



FILTER REGULATOR

Item	Current Part	Description	Replaced Part	Qty.	Notes	Kits/Assys Where Needed
1	A-4740	FILTER/REGULATOR	19600	1		
2	K-1698	-O- RING/ELEMENT KIT		1	FOR FILTER REGULATOR	
3	X-8C-412	CAPSCREW	X 8S 412	2	1/4"-20X2-1/4"	

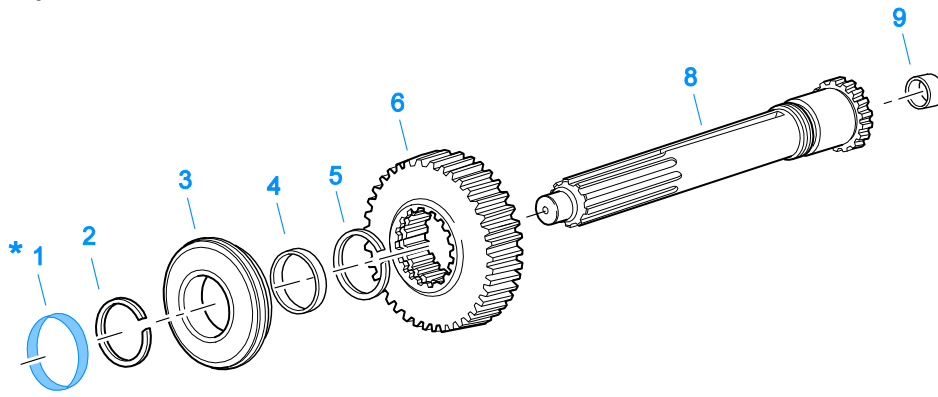
Group: H & C W/A-5000 VALVE



10110F-9/93 A-5000 HC spl cyl

H & C W/A-5000 VALVE

Item	Current Part	Description	Replaced Part	Qty.	Notes	Kits/Assys Where Needed
1	A-5000	SLAVE VALVE ASSY	20850	1		
2	19481	GASKET		1		K-2199
3	19462	-O- RING	14033	1		K-1969
4	K-1969	SLEEVE KIT	14362 ,19460 ,21446	1	FOR SLAVE VALVES	
5	21268	SPRING		1		
6	20490	PIN		1		
7	12845	ELBOW		3	1/8"	
8	X-8C-411	CAPSCREW		4	1/4"-20X1-3/4"	
9	55509	HOSE ASSY		2	34"	
10	55518	HOSE ASSY		1	32"	
11	A-4740	FILTER/REGULATOR	19600	1		
12	X-12-208	PIPE PLUG		2	1/8" NPT	
13	X-8L-604	CAPSCREW		1	3/8"-16X1-1/4"	
14	21427	HOSE CLAMP		1		
15	21425	STRAP		1		
16	21426	BRACKET		1		
17	21428	HOSE CLAMP		1		
18	X-8L-604	CAPSCREW		1	3/8"-16X1-1/4"	
20	55527	HOSE ASSY		1	15"	



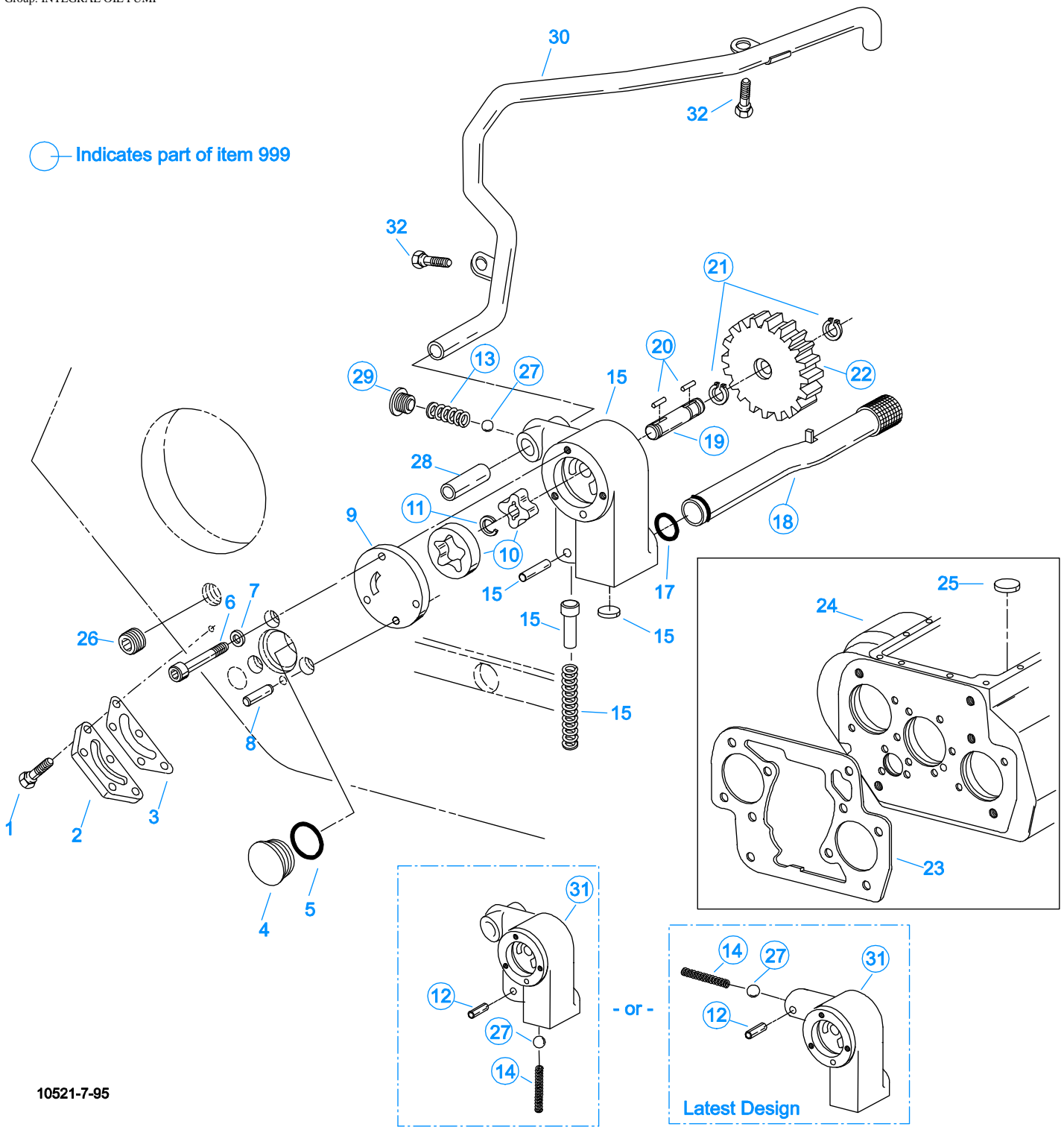
* For Shipping Only -- Do Not Replace

*

10370-1/92 IS

INPUT SHAFT & DRIVE GEAR

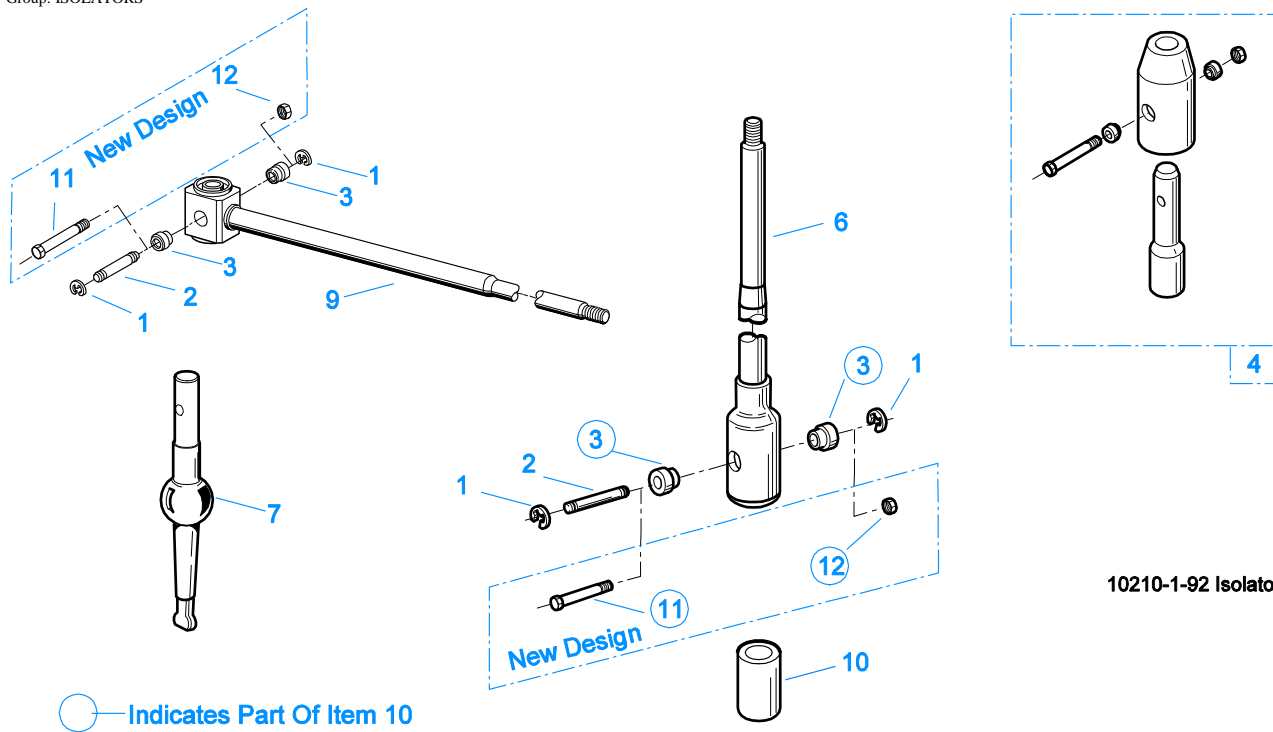
Item	Current Part	Description	Replaced Part	Qty.	Notes	Kits/Assys Where Needed
1	23559	SHIPPING SEAL		1	NOT SOLD FOR SERVICE	
2	16980	SNAP RING		1		K-2288,K-2468,K-2779,K-4125
3	81504	BEARING		1		K-2288,K-2468,K-2779,K-4125
4	16463	SPACER		1		
5	14750	SNAP RING		1		K-2288,K-2468,K-2779,K-2801,K-4125
6	4305910	MAIN DRIVE GEAR	4300238, 4305068	1		
8	S-1659	INPUT SHAFT	20535 23566 4302661	1	2" PULL - USE W/FBC 20550	K-2468,K-2779,K-4125
8	S-1660	INPUT SHAFT	20536 ,23567	1	2" PUSH - USE W/FBC 20549	
9	16566	BUSHING		1		K-2288,S-1659,S-1660



INTEGRAL OIL PUMP

Item	Current Part	Description	Replaced Part	Qty.	Notes	Kits/Assys Where Needed
1	X-8C-409	CAPSCREW		5	1/4"-20X5/8"	
2	K-2402	COVER & SCREW KIT	4300751	1		
3	20514	GASKET		1		K-2402
4	20823	PLUG		1		
5	14765	-O- RING		1		K-2802,K-2804,K-2809
6	X-8-448	SCREW	X 8 445	3	1/4"-20X1-1/4"	
7	20824	WASHER		3		K-3367

Item	Current Part	Description	Replaced Part	Qty.	Notes	Kits/Assys Where Needed
8	20825	DOWEL PIN		1		
9	4303107	RETAINER	20510	1		S-2128
10	20507	ELEMENT		1		
11	20518	CRESCENT RING		1		
12	62514	ROLL PIN		1		
13	K-3367	OIL PUMP KIT	4301829 ,4301948 ,4303776 ,4304529 ,4304572 A - 6963 ,A - 7173	1		
14	K-3367	OIL PUMP KIT	4301829 ,4301948 ,4303776 ,4304529 ,4304572 A - 6963 ,A - 7173	1		
15	K-3367	OIL PUMP KIT	4301829 ,4301948 ,4303776 ,4304529 ,4304572 A - 6963 ,A - 7173	1		
17	20225	-O- RING		1		
18	4305713	SUCTION TUBE	4304628	1	O-RING INCLUDED ON SUCTION TUBE	K-3367
19	20508	DRIVE SHAFT		1		
20	20509	KEY		2		
21	14853	SNAP RING		2		
22	20511	DRIVE GEAR		1		
23	4306584	CLUTCH HOUSING GASKET	4304815,4305668	1		K-2199
24	S-2128	CASE ASSY	4300898	1		
25	14373	MAGNET		3		S-2128
26	X-12-603	PIPE PLUG	X12 602	1	3/8" NPT	
27	X-14-700	STEEL BALL		2	7/16"	
28	4301258	TUBE		1		
29	K-3367	OIL PUMP KIT	4301829 ,4301948 ,4303776 ,4304529 ,4304572 A - 6963 ,A - 7173	1		
30	4305715	SPLITTER LUBE TUBE	A - 7197	1		
31	K-3367	OIL PUMP KIT	4301829 ,4301948 ,4303776 ,4304529 ,4304572 A - 6963 ,A - 7173	1		
32	X-8-686	CAPSCREW		2	3/8"-16X3/4"	
999	K-3367	OIL PUMP KIT	4301829 ,4301948 ,4303776 ,4304529 ,4304572 A - 6963 ,A - 7173	1		



10210-1-92 Isolator

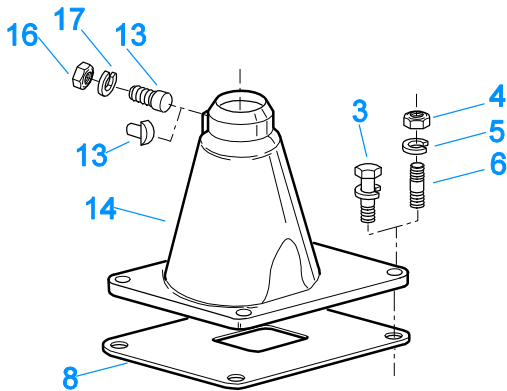
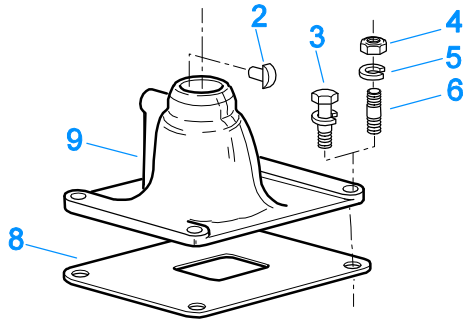
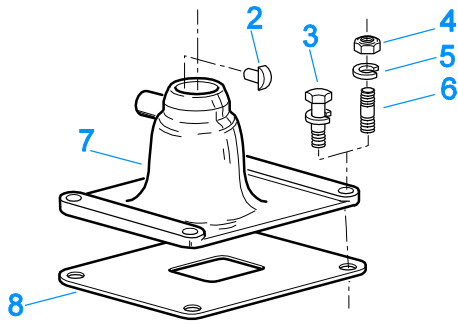
ISOLATORS

Item	Current Part	Description	Replaced Part	Qty.	Notes	Kits/Assys Where Needed
1	19124	-E- RING		2		
2	K-3467	PIN REPLACEMENT KIT	21245	1		
3	21246	BUSHING		2		K-2003,K-2428,K-2429,K-2978,K-3399,S-2129,S-2130,S-2519
4	S-1794	ISOLATOR ASSY		1		
6	21247	LEVER		1	STRAIGHT 18.67"	
7	21235	STUB LEVER		1	LOW TOWER	K-2428,S-1677
7	21236	STUB LEVER		1	HIGH TOWER	K-2429,S-1579,S-2130
7	4301168	STUB LEVER		1	MID TOWER	K-2978
9	21767	90 DEG LEVER		1	STRAIGHT 33"	
10	K-3399	ISOLATOR BUSHING KIT	21244 ,23311	1		
11	X-8-560	SCREW		1		
12	X-9-503	NUT		1		

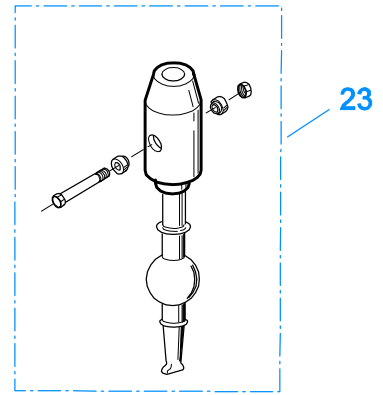
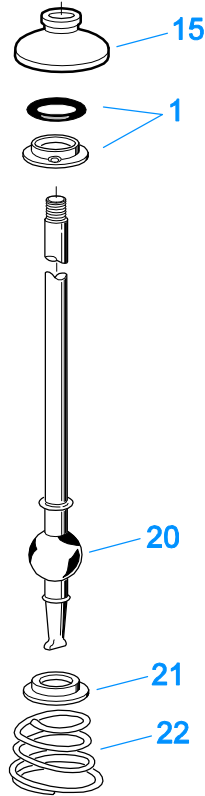
KITS & ASSEMBLIES

Item	Current Part	Description	Replaced Part	Qty.	Notes	Kits/Assys Where Needed
K-1476		SHIFT LEVER HSG	4530 ,17163 ,18298 ,4304905 ,A - 4437	1	LOW TOWER	
K-1603		GASKET KIT		1	FOR AUXILIARY SECTION	K-2769
K-1698		-O- RING/ELEMENT KIT		1	FOR FILTER REGULATOR	
K-1935		REPAIR KIT-SLAVE VALVE		1	FOR A-5000 VALVE	
K-1956		COOLER INSTLN KIT		1		
K-1969		SLEEVE KIT	14362 ,19460 ,21446	1	FOR SLAVE VALVES	
K-2003		PIN & BUSHING KIT		1		
K-2072		MASTER VALVE REPAIR KIT		1	FOR A-5013 VALVE	
K-2199		GASKET KIT		1		K-2288,K-2779
K-2262		OIL SEAL W/SLINGER	19109 20807 20808	1	"FOR MECHANICAL COVER"	K-2288,K-2769,K-2779
K-2288		BASIC REBUILD KIT		1		
K-2394		AIR SYSTEMS TOOL KIT		1		
K-2402		COVER & SCREW KIT	4300751	1		
K-2428		LEVER REPLACEMENT KIT		1	LOW TOWER	
K-2429		LEVER REPLACEMENT KIT		1	HIGH TOWER	
K-2439		KEY & WASHER KIT		1	CONTAINS 3-SIDED KEY	
K-2468		CLUTCH INSTALLATION KIT		1	FOR USE WITH S-1659 INPUT SHAFT ASSY AND 81504 INPUT SHAFT BEARING	
K-2769		AUXILIARY REBUILD KIT		1	FOR AUXILIARY SECTION	
K-2779		BASIC OVERHAUL KIT		1		
K-2801		SMALL PARTS KIT		1		
K-2802		-O- RING KIT-RANGE		1		
K-2803		O-RING KIT - SPLITTER		1		
K-2804		-O- RING KIT-COMplete		1		K-2288,K-2769,K-2779
K-2805		SHIM KIT	21452 K - 2106	1		K-2288,K-2769,K-2779,S-2754
K-2808		REPL KIT-DRIVE GEAR	4300932 ,4300938	1		
K-2809		RANGE CYLINDER KIT		1		
K-2934		COUNTERSHAFT REPL KIT	19549	1		
K-2973		SHIFT LEVER HSG KIT	17166 ,17167 ,4303050 ,4304910 ,K - 1630 K - 1941	1	HIGH TOWER	
K-2977		SHIFT LEVER HSG KIT	4301167 ,4304907 ,A - 6040	1	MID TOWER	
K-2978		LEVER REPLACEMENT KIT		1	MID TOWER	
K-3104		ACTUATOR PIN KIT	4303287	1		
K-3122		SPLITTER GEAR UPDATE KIT	4301836	1		
K-3191		MASTER VALVE REPAIR KIT		1	FOR A-6918 VALVE	
K-3209		IDLER SHAFT REPL KIT	16405 ,4302981 ,4305513	1		
K-3220		COUNTERSHAFT REPLT KIT	4301792 ,4301793 ,A - 6187 ,A - 6602 ,A - 6603	1		
K-3331		SPLITTER VLV REPL KIT	4300927 ,4304031 ,4304032 ,A - 6862	1		
K-3367		OIL PUMP KIT	4301829 ,4301948 ,4303776 ,4304529 ,4304572 A - 6963 ,A - 7173	1		
K-3376		O-RING & WASHER KIT	4301211	1		
K-3399		ISOLATOR BUSHING KIT	21244 ,23311	1		
K-3441		OIL FILTER/ADAPTER KIT		1		
K-3467		PIN REPLACEMENT KIT	21245	1		
K-3492		SYNCHRONIZER KIT	K - 2446	1		
K-3497		SYNCHRONIZER REPLACEMENT KIT	K - 3200	1	SLIDING CLUTCH INCLUDED IN KIT	
K-3651		OIL SEAL TOOL KIT		1		
K-4125		CLUTCH INSTALLATION KIT (RT), HYDRAULIC		1	STANDARD RT INPUT SHAFT AND YOKE FOR HYDRAULIC CLUTCH	

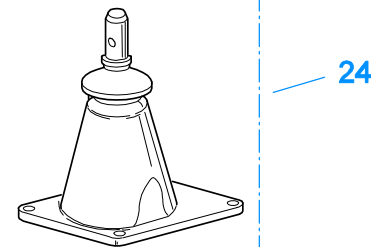
Item	Current Part	Description	Replaced Part	Qty.	Notes	Kits/Assys Where Needed
		RELEASE			RELEASE	
	S-1219	YOKE ASSY LOW-REV		1		
	S-1404	OIL FILTER	17238	1		
	S-1445	SHIFT BAR HSG (X)	18920 ,20135 ,20214 ,20215 ,20487 21135 ,4302452	1	HOUSING ONLY (X)	
	S-1446	SHIFT BAR HSG (XF)	21136	1	HOUSING ONLY (XF)	
	S-1516	CAP ASSY	20851 ,20853	1		
	S-1527	SHIFT BAR HSG ASSY (X)	20215 ,21135 ,4302452	1	COMPLETE (X)	
	S-1528	SHIFT BAR HSG ASSY (XF)	21136	1	COMPLETE (XF)	
	S-1659	INPUT SHAFT	20535 23566 4302661	1	2" PULL - USE W/FBC 20550	K-2468,K-2779,K-4125
	S-1660	INPUT SHAFT	23567	1	2" PUSH - USE W/FBC 20549	
	S-1794	ISOLATOR ASSY		1		
	S-2107	REAR BRG COVER ASSY	4300892	1		
	S-2128	CASE ASSY	4300898	1		
	S-2129	SHIFT LEVER HSG ASSY		1	LOW TOWER	
	S-2130	SHIFT LEVER HSG ASSY	S - 2053	1	HIGH TOWER	
	S-2519	SHIFT LEVER HSG ASSY	S - 2919	1	MID TOWER	
	S-2555	ROADRANGER VALVE ASSY		1	RTLO - W/SHIFT DIAGRAM MEDALLION	
	S-2754	RANGE SECTION ASSY		1		
	S-2754R	REMAN RANGE SECTION ASSY		1		
	S-3108	MAINSHAFT ASSY	4303402,4303403,S- 2562,S-3101	1		



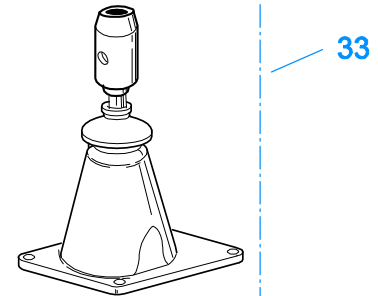
10207-9-95



K-2428 - Low
K-2978 - Mid
K-2429 - High



S-1677 - Low
S-1967 - Mid
S-1579 - High

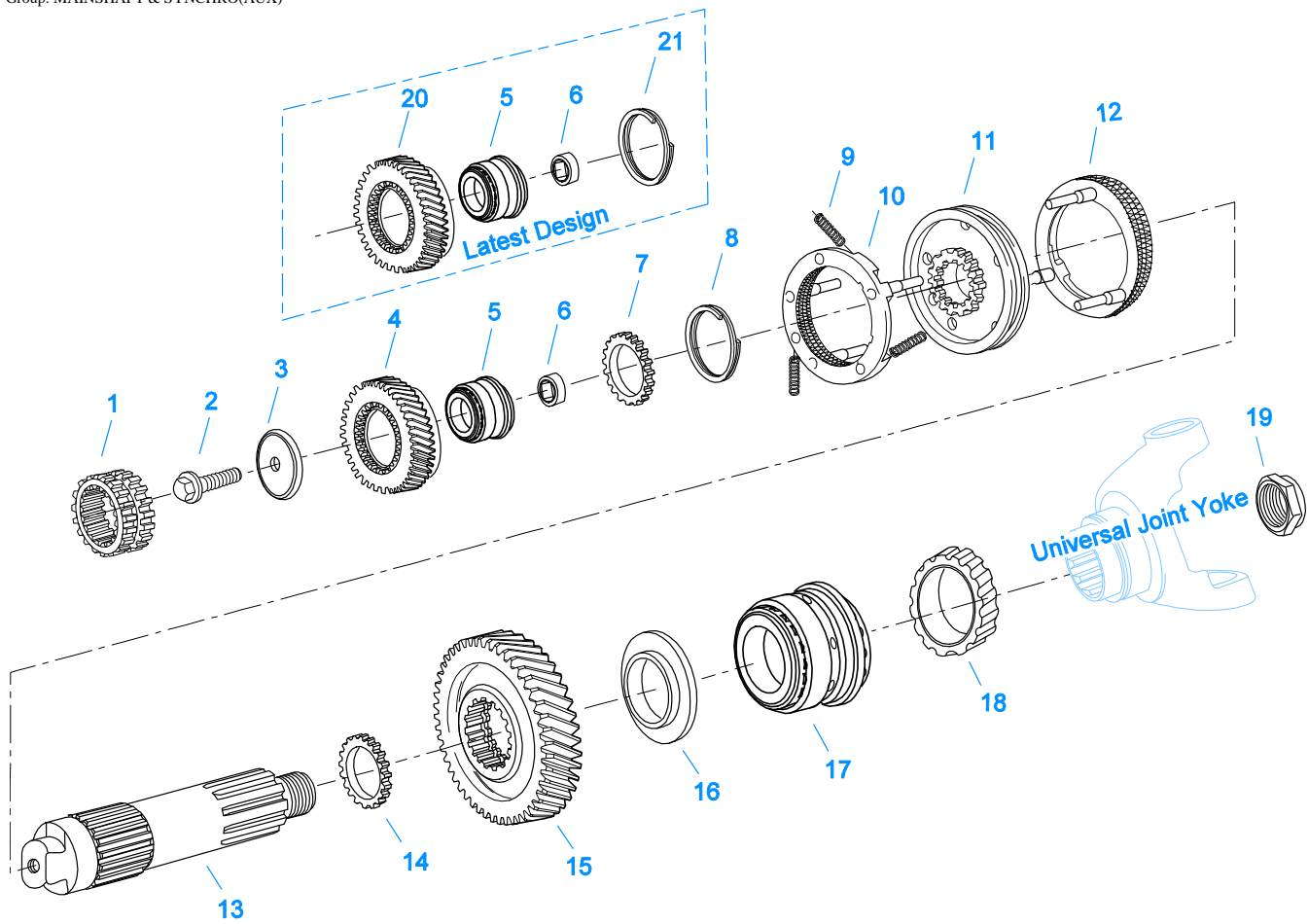


S-2129 - Low
S-2519 - Mid
S-2130 - High

LEVERS/HOUSINGS

Item	Current Part	Description	Replaced Part	Qty.	Notes	Kits/Assys Where Needed
1	K-3376	O-RING & WASHER KIT	4301211	1		
2	18299	PIN		1		K-1476,K-2977,S-1677
3	X-8C-604	CAPSCREW		4	3/8"-16X1-1/4"	S-1445,S-1446,S-1527,S-1528
4	X-1-600	NUT		4	3/8"-24-N.F.PLAIN	
5	X-3-600	LOCKWASHER		4	3/8"	
6	11934	STUD	7467	4		
7	K-1476	SHIFT LEVER HSG	4530 ,17163 ,18298 ,4304905 ,A - 4437	1	LOW TOWER	
8	4305294	GASKET	4303431	1		K-1476,K-2199,K-2428,K-2429,K-

Item	Current Part	Description	Replaced Part	Qty.	Notes	Kits/Assys Where Needed
						2973,K-2977,K-2978,S-1527,S-1528,S-1579,S-1677,S-1967,S-2129,S-2130,S-2519
9	K-2977	SHIFT LEVER HSG KIT	4301167 ,4304907 ,A - 6040	1	MID TOWER	
13	4303030	PIN		1		K-2973,S-1579,S-2130
13	6541	PIN		1	3/8" - USED W/17167 ONLY	
14	K-2973	SHIFT LEVER HSG KIT	17166 ,17167 ,4303050 ,4304910 ,K - 1630 K - 1941	1	HIGH TOWER	
15	10427	BOOT		1		K-1476,K-2973,K-2977,S-1579,S-1677,S-2130
16	X-1-600	NUT		1	3/8"-24-N.F.PLAIN	
17	X-3-600	LOCKWASHER		1	3/8"	
20	17600	GEAR SHIFT LEVER		1	STRAIGHT - LOW 21-1/2"	
20	18482	GEAR SHIFT LEVER		1	STRAIGHT - HIGH 35"	
21	2538	RETAINER		1		K-1476,K-2973,K-2977,S-1579,S-1677,S-2130
22	2536	SPRING		1		K-1476,K-2973,K-2977,S-1579,S-1677,S-2130
23	K-2428	LEVER REPLACEMENT KIT		1	LOW TOWER	
23	K-2429	LEVER REPLACEMENT KIT		1	HIGH TOWER	
23	K-2978	LEVER REPLACEMENT KIT		1	MID TOWER	
24	S-1579	SHIFT TOWER ASSY		1	HIGH TOWER	
24	S-1677	SHIFT TOWER ASSY		1	LOW TOWER	
24	S-1967	SHIFT TOWER ASSY		1	MID TOWER	
33	S-2129	SHIFT LEVER HSG ASSY		1	LOW TOWER	
33	S-2130	SHIFT LEVER HSG ASSY	S - 2053	1	HIGH TOWER	
33	S-2519	SHIFT LEVER HSG ASSY	S - 2919	1	MID TOWER	

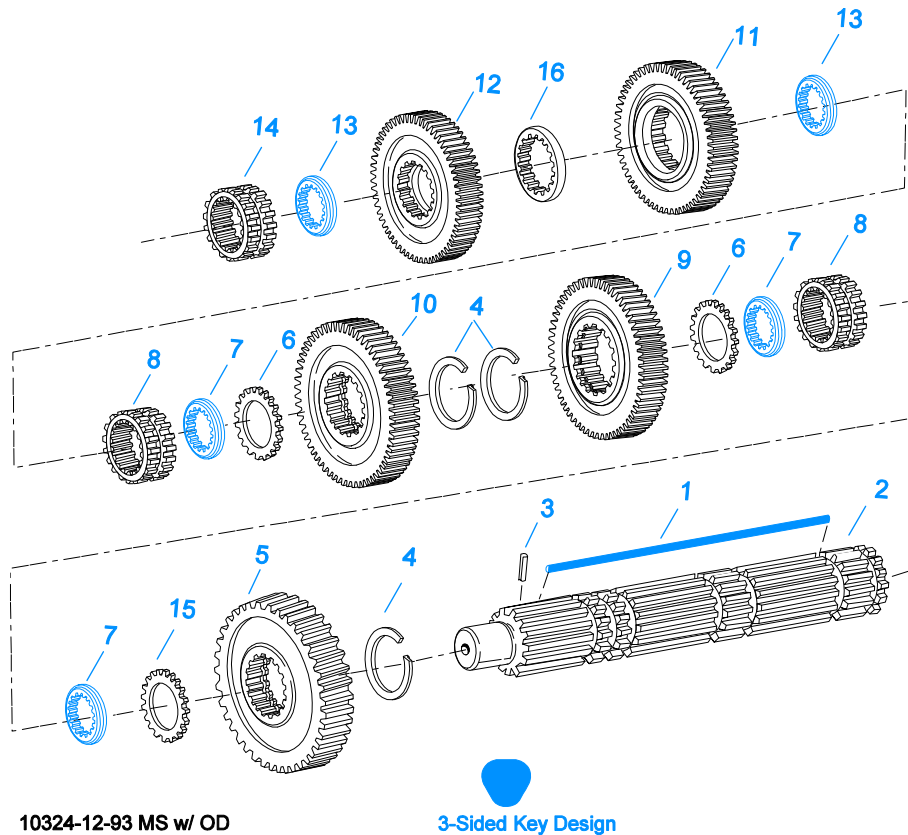


10427-9/93 Aux MS

MAINSHAFT & SYNCHRO(AUX)

Item	Current Part	Description	Replaced Part	Qty.	Notes	Kits/Assys Where Needed
1	4300907	SLIDING CLUTCH		1		
2	X-7-1007	SCREW		1	5/8"-18X1-3/4"	
3	4301843	RETAINER		1		
4	K-3122	SPLITTER GEAR UPDATE KIT	4301836	1		
5	4300902-BOX	TAPERED ROLLER BRG	4300902	1		K-2288,K-2779
6	4301844	BEARING SLEEVE		1		
7	4301846	NO LONGER AVAILABLE		1		
8	4301845	NO LONGER AVAILABLE		1		
9	14897	SPRING		3		K-2288,K-2769,K-2779,K-2801,K-3492,K-3497
10	A-7331	SYNCHRONIZER ASSY	4304396 4304397 A - 5917	1	HI RANGE	K-3492,K-3497
11	4301840	SLIDING CLUTCH	4303386	1		K-3497
12	A-7254	SYNCHRONIZER ASSEMBLY	A - 4937 A - 5876	1	LO RANGE	K-3492,K-3497
13	4300904	AUXILIARY MAINSHAFT		1		
14	4301842	WASHER		1		K-2801
15	4301795	REDUCTION GEAR	4301794	1		
16	4300912	SPACER		1		K-2801
17	21356-BOX	BEARING	21356	1		K-2288,K-2769,K-2779
18	20191	ROTOR		1		
19	22254	NUT		1		S-2754
20	4303422	SPLITTER GEAR	4303421 4303423	1		K-3122

Item	Current Part	Description	Replaced Part	Qty.	Notes	Kits/Assys Where Needed
21	4303424	SNAP RING		1		K-2288,K-2779,K-3122



10324-12-93 MS w/ OD

3-Sided Key Design

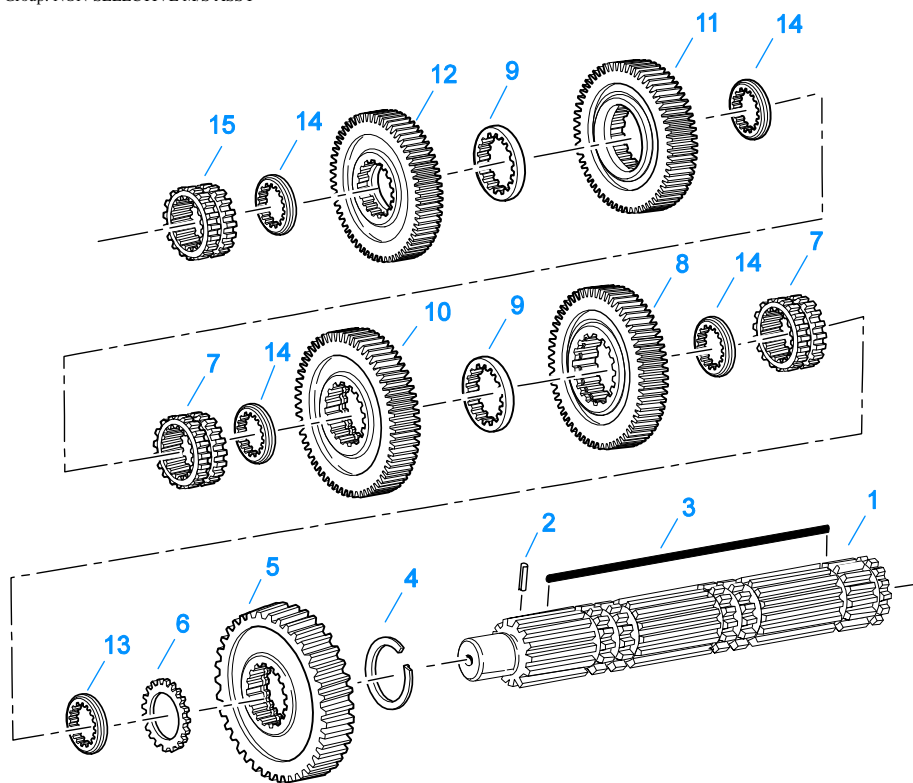
MAINSHAFT ASSY

Item	Current Part	Description	Replaced Part	Qty.	Notes	Kits/Assys Where Needed
1	4304615	3-SIDED KEY	4300120	1		K-2439,K-2801
2	S-3108	MAINSHAFT ASSY	4303402, 4303403, S-2562,S-3101	1		
3	62504	ROLL PIN		1		S-3108
4	14750	SNAP RING		3		K-2288,K-2468,K-2779,K-2801,K-4125
5	16756	REVERSE GEAR-MAINSHAFT	22408	1		
6	14749	SPACER		2		K-2801
7	4300382	WASHER .249-WHITE		3	OPTIONAL 4300382-4300387 OR 4300830 USE ANY 3 WASHERS. USE WITH 3-SIDED KEY	K-2439,K-2801
7	4300383	WASHER .254-GREEN		3	OPTIONAL 4300382-4300387 OR 4300830 USE ANY 3 WASHERS. USE WITH 3-SIDED KEY	K-2439,K-2801
7	4300384	WASHER .259-ORANGE		3	OPTIONAL 4300382-4300387 OR 4300830 USE ANY 3 WASHERS. USE WITH 3-SIDED KEY	K-2439,K-2801
7	4300385	WASHER .264-PURPLE		3	OPTIONAL 4300382-4300387 OR 4300830 USE ANY 3 WASHERS. USE WITH 3-SIDED KEY	
7	4300386	WASHER .269-YELLOW		3	OPTIONAL 4300382-4300387 OR 4300830 USE ANY 3 WASHERS. USE WITH 3-SIDED KEY	
7	4300387	WASHER .274-BLACK		3	OPTIONAL 4300382-4300387 OR 4300830 USE ANY 3 WASHERS. USE WITH 3-SIDED KEY	
7	4300830	WASHER .244-BLUE		3	OPTIONAL 4300382-4300387 OR 4300830 USE ANY 3 WASHERS. USE WITH 3-SIDED KEY	K-2439,K-2801
8	16118	SLIDING CLUTCH		2		
9	16754	LO GEAR-MAINSHAFT		1		
10	21024	1ST GEAR-MAINSHAFT	19628	1		
11	4302394	2ND GEAR-MAINSHAFT	4302395	1		

Item	Current Part	Description	Replaced Part	Qty.	Notes	Kits/Assys Where Needed
12	4302393	OD GEAR-MAINSHAFT	4305070	1		
13	4302398	WASHER		2		
14	4304317	SLIDING CLUTCH	22026	1		K-2779
15	4302047	SPACER		1		K-2801
16	4303603	WASHER	4302397	1		K-2801

MISCELLANEOUS

Item	Current Part	Description	Replaced Part	Qty.	Notes	Kits/Assys Where Needed
21628		SHIFT DIAGRAM LABEL	4300591	1		
71203		SILICONE LUBE		1	8 OZ (236.59 CC)-FLEET SIZE	
71204		ADHESIVE SEALANT		1	0.5 CC (SINGLE APPLICATION SIZE)	
71205		SEALANT		1	2 CC (SINGLE APPLICATION SIZE)	K-2779
71206		SILICONE LUBE		1	4 CC (SINGLE APPLICATION SIZE)	K-2428,K-2429,K-2802,K-2803,K-2804,K-2809,K-2978,K-3331

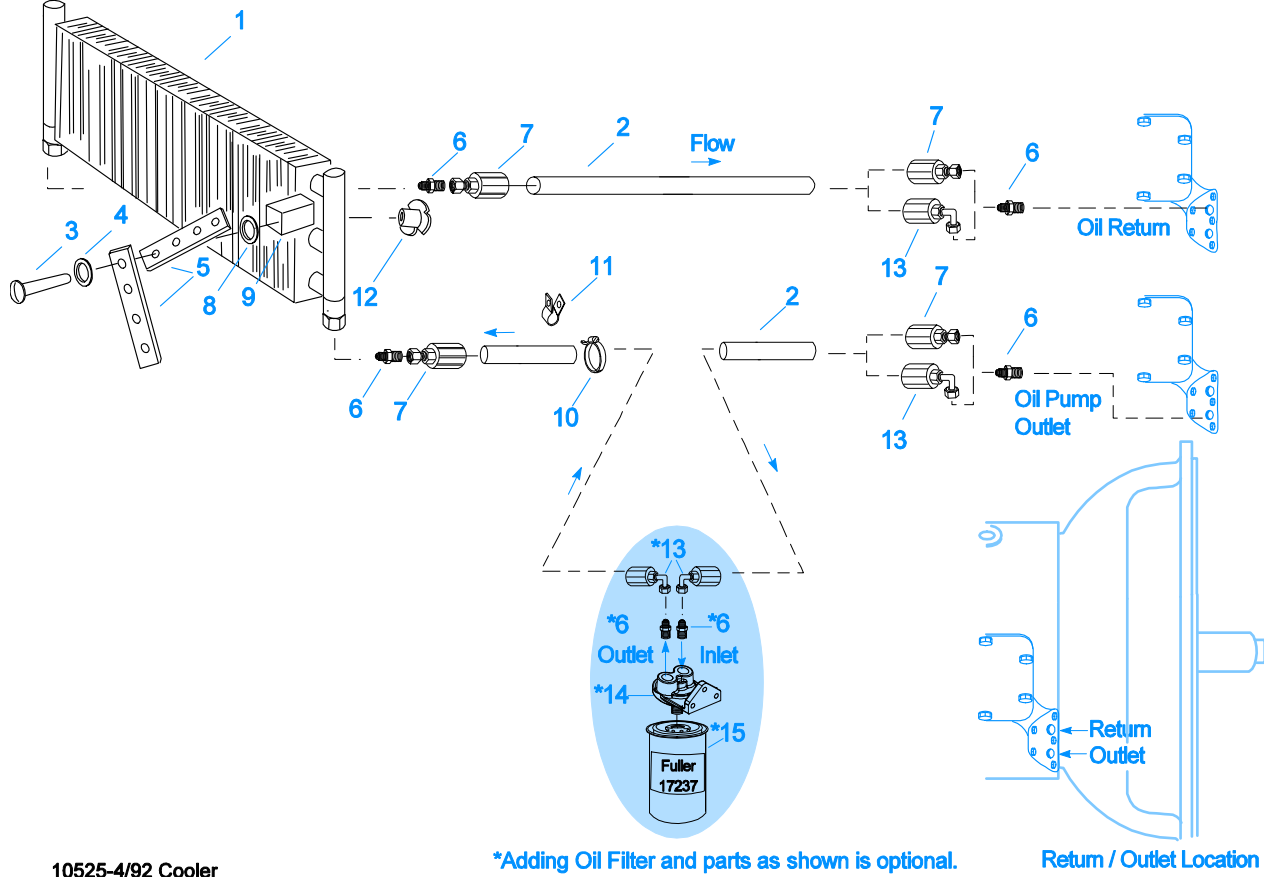


10337B-10-96

NON-SELECTIVE M/S ASSY

Item	Current Part	Description	Replaced Part	Qty.	Notes	Kits/Assys Where Needed
1	S-3108	MAINSHAFT ASSY	4303402, 4303403, S-2562,S-3101	1		
2	62504	ROLL PIN		1		S-3108
3	4304615	3-SIDED KEY	4300120	1		K-2439,K-2801
4	14750	SNAP RING		1		K-2288,K-2468,K-2779,K-2801,K-4125
5	16756	REVERSE GEAR-MAINSHAFT	22408	1		
6	4302047	SPACER		1		K-2801
7	16118	SLIDING CLUTCH		2		
8	4303409	LO GEAR-MAINSHAFT	4303407	1		
9	4303603	WASHER	4302397	2		K-2801
10	4303420	1ST GEAR-MAINSHAFT	4303408	1		
11	4302394	2ND GEAR-MAINSHAFT	4302395	1		
12	4302393	OD GEAR-MAINSHAFT	4305070	1		
13	4300382	WASHER .249-WHITE		1		K-2439,K-2801
14	4302398	WASHER		4		
15	4304317	SLIDING CLUTCH	22026	1		K-2779

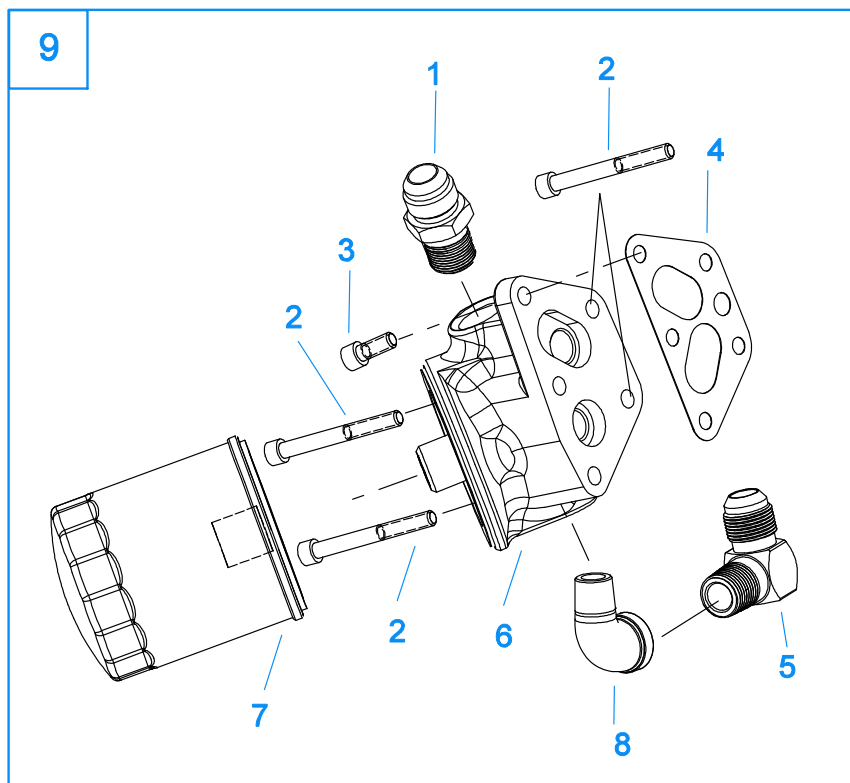
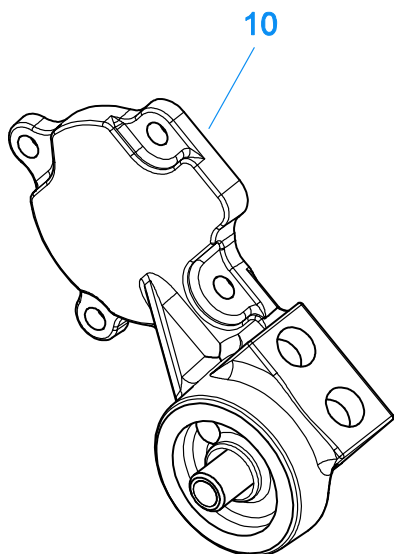
Group: OIL COOLER



10525-4/92 Cooler

OIL COOLER

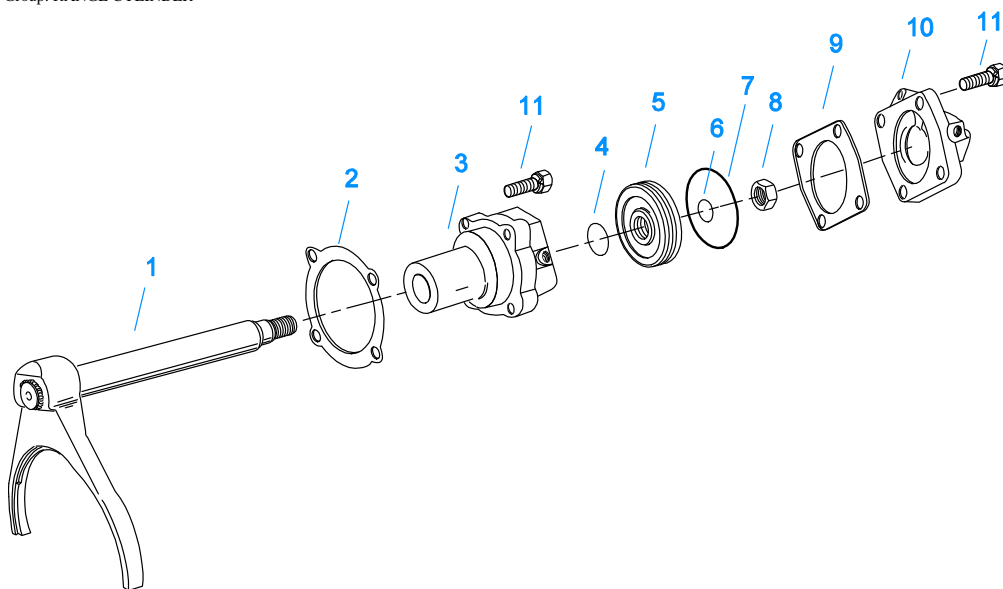
Item	Current Part	Description	Replaced Part	Qty.	Notes	Kits/Assys Where Needed
1	18025	OIL COOLER		1		K-1956
2	19424	HOSE		1	25 FEET	K-1956
3	X-8-535	CAPSCREW		2	5/16"-16X2-1/2"	
4	X-3-506	LOCKWASHER		2	5/16"	
5	18211	BRACKET		4		K-1956
6	19419	CONNECTOR		6		K-1956,K-3441,S-1404
7	19415	SWIVEL		4		K-1956
8	X-10-501	WASHER		2	5/16"	
9	18209	PLUG-RUBBER MOUNT		2		K-1956
10	17190	STRAP		8		K-1956
11	19423	CLAMP		5		K-1956
12	18210	NUT		2		K-1956
13	19422	ELBOW		4		K-1956
14	S-1404	OIL FILTER	17238	1		
15	17237	FILTER ELEMENT		1		S-1404



10539-3-00

OIL FILTER

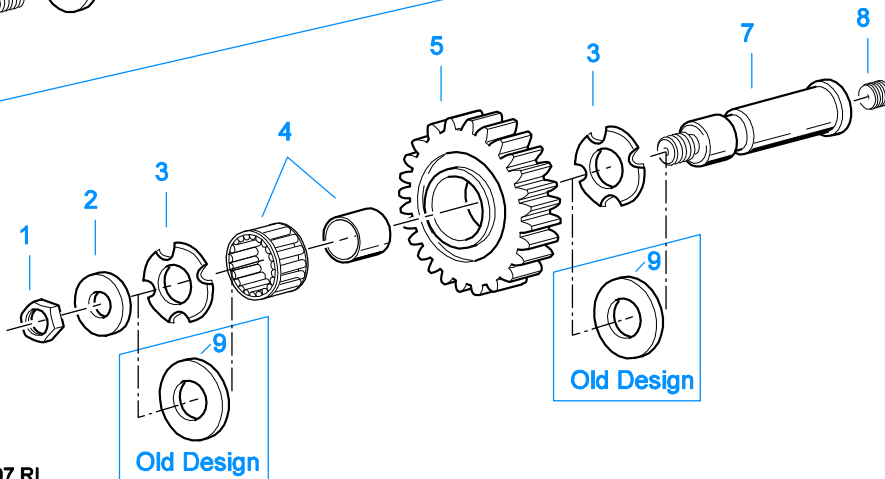
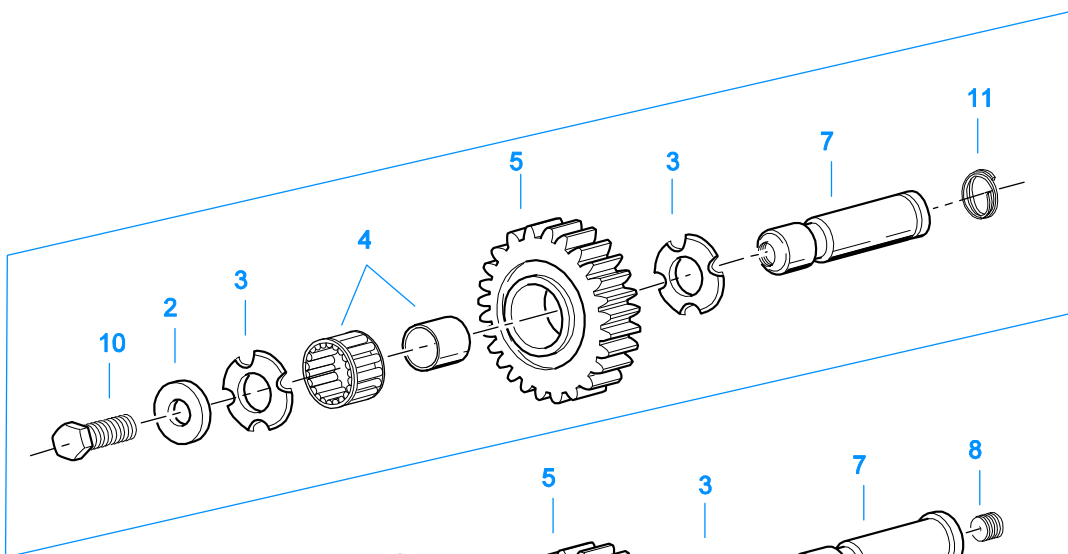
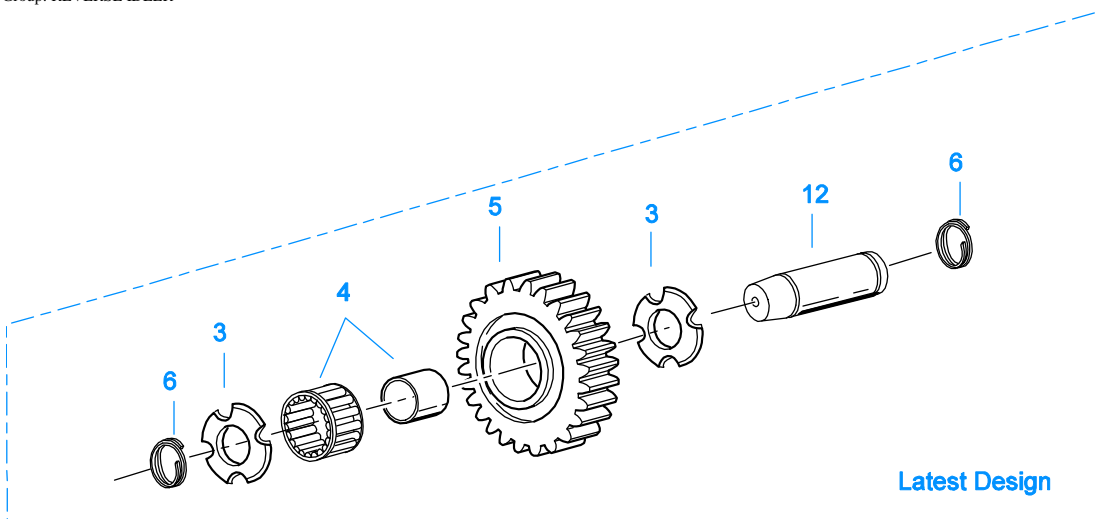
Item	Current Part	Description	Replaced Part	Qty.	Notes	Kits/Assys Where Needed
1	19419	CONNECTOR		1		K-1956,K-3441,S-1404
2	X-8-453	SCREW		4		K-3441
3	X-8-452	SCREW		1		K-3441
4	4304820	GASKET		1		K-3441
5	4301123	ELBOW		1		K-3441
6	K-3441	OIL FILTER/ADAPTER KIT	A - 7174	1		
7	4304827	OIL FILTER ELEMENT		1		K-3441
8	17007	ELBOW		1		K-3441
9	K-3441	OIL FILTER/ADAPTER KIT		1		
10	A-7300	AUX COUNTERSHAFT COVER ASSY		1		



10461A-6/93 Rng Cyl

RANGE CYLINDER

Item	Current Part	Description	Replaced Part	Qty.	Notes	Kits/Assys Where Needed
1	A-6224	WELDED YOKE ASSY		1		
2	14347	GASKET		1		K-1603,K-2199,K-2802,K-2804,K-2809
3	4301847	CYLINDER		1		K-2809
4	14765	-O- RING		1		K-2802,K-2804,K-2809
5	14341	PISTON	23353	1		K-2809
6	14345	-O- RING		1		K-2802,K-2804,K-2809
7	14344	-O- RING		1		K-2802,K-2804,K-2809
8	X-1-1010	NUT		1	5/8"-18	
9	14349	GASKET		1		K-1603,K-2199,K-2802,K-2804,K-2809
10	19690	CYLINDER COVER		1		
11	X-8L-604	CAPSCREW		8	3/8"-16X1-1/4"	

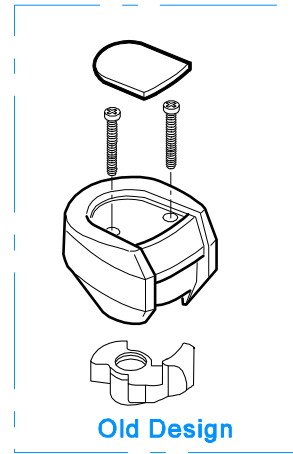
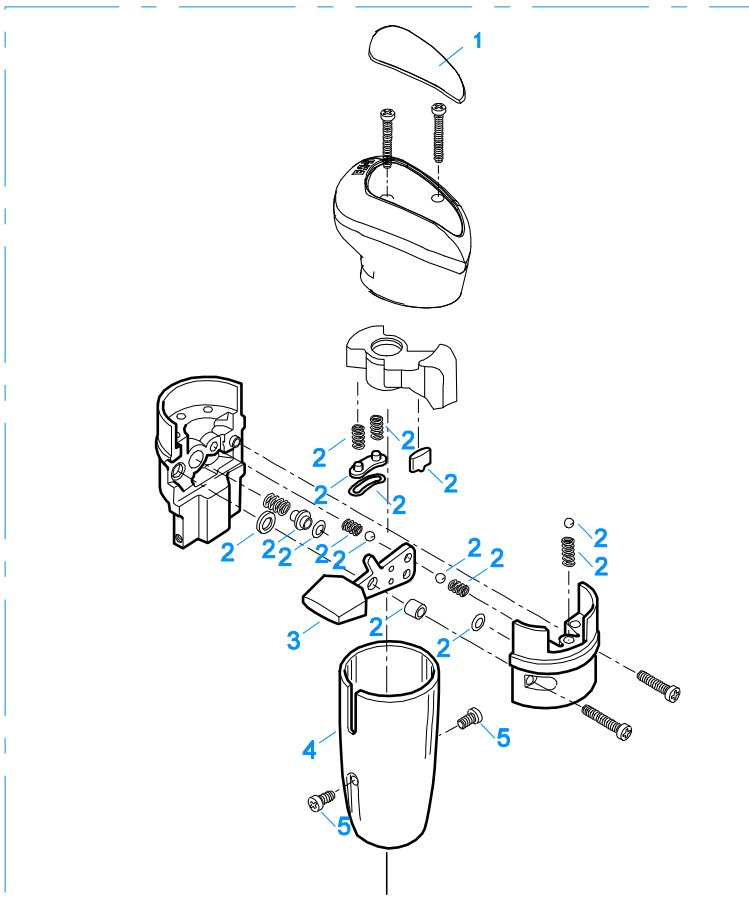


11383-5-97 RI

REVERSE IDLER

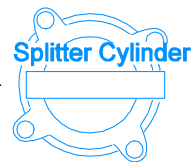
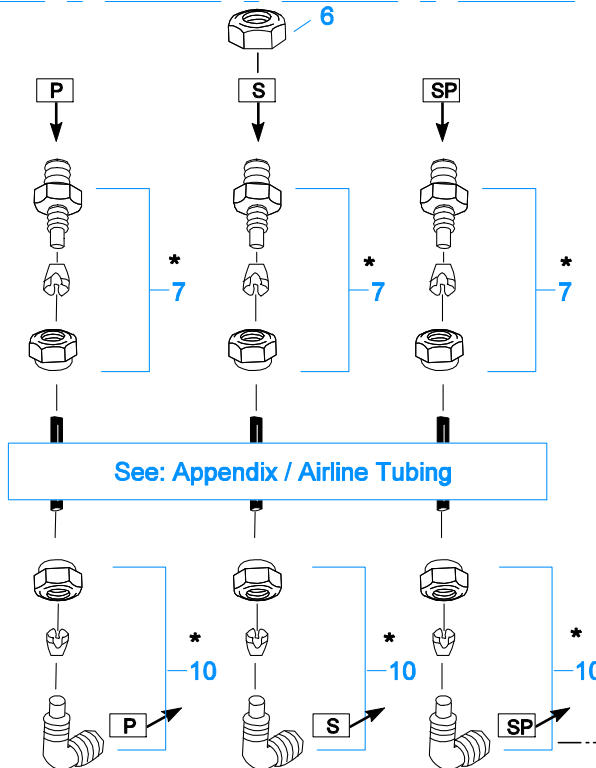
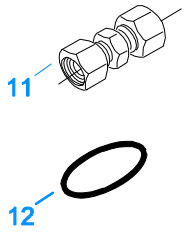
Item	Current Part	Description	Replaced Part	Qty.	Notes	Kits/Assys Where Needed
1	X-1-1008	NUT		2	5/8"-18	
2	14283	WASHER		2		
3	4302982	WASHER	14282	4		K-3209,S-2128
4	14287	BEARING	4305020	2		K-2288,K-2779
5	16757	REVERSE IDLER GEAR	22409	2		
6	4303336	RETAINING RING		4		K-3209
7	K-3209	IDLER SHAFT REPL KIT	16405 ,4302981 ,4305513	2		
8	5202	PLUG		2		

Item	Current Part	Description	Replaced Part	Qty.	Notes	Kits/Assys Where Needed
9	14282	NO LONGER AVAILABLE		4		
10	X-7-1008	CAPSCREW		2	5/8"-18X1-1/4	
11	4303336	RETAINING RING		2		K-3209
12	4305513	IDLER SHAFT		2		K-3209



999

Old Design

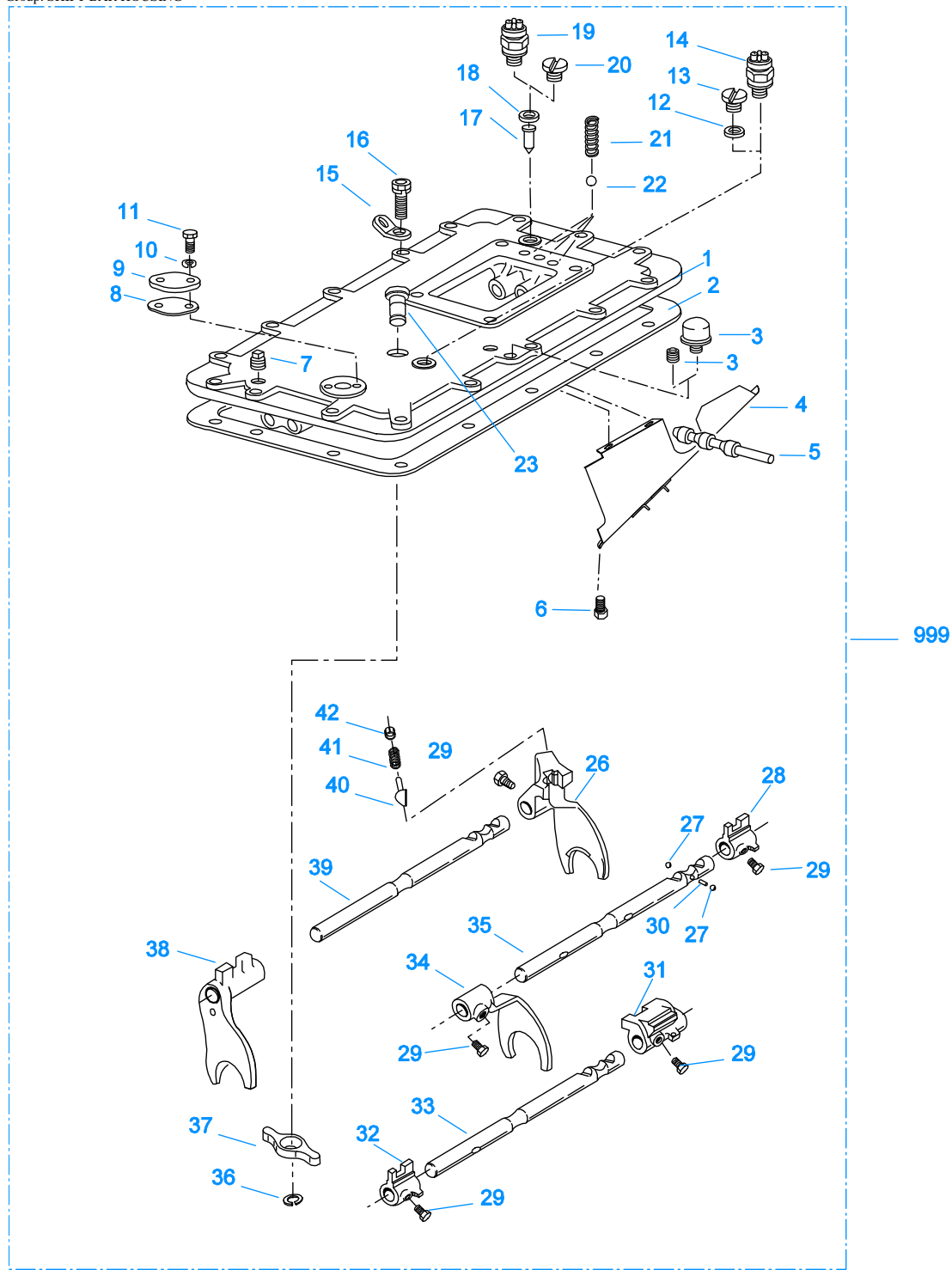


10103B-5-98 RRV - 3

*For Connector and Elbow Assy component information see Appendix.

ROADRANGER VALVES

Item	Current Part	Description	Replaced Part	Qty.	Notes	Kits/Assys Where Needed
1	20107	MEDALLION, LOGO		1	(OLD DESIGN) FULLER LOGO ONLY	
1	5586100	MEDALLION, LOGO		1	(LATEST DESIGN) FULLER LOGO ONLY	A-6918
2	K-2072	MASTER VALVE REPAIR KIT		1	FOR A-5013 VALVE	
2	K-3191	MASTER VALVE REPAIR KIT		1	FOR A-6918 VALVE	
3	20495	LEVER		1		A-6918
4	20112	COVER		1		A-6918
5	X-8-213	SCREW	X 8 202	2	8-32X3/8"	
6	X-9-802	NUT		1	1/2"-13	
7	84001	CONNECTOR ASSY	82501	3	1/8" TUBE-1/16" NPTF	
7	84003	CONNECTOR ASSY	82503	3	5/32" TUBE-1/16" NPTF	
7	84005	CONNECTOR ASSY		3	"PUSH-TO-CONNECT" 5/32" TUBE-1/16" NPTF	K-2779
10	85001	ELBOW ASSY	84501	3	5/32" TUBE-1/8" NPTF	
10	85002	ELBOW ASSY	84502	3	1/8" TUBE-1/8" NPTF	
10	85003	ELBOW ASSY		3	"PUSH-TO-CONNECT" 5/32" TUBE-1/8" NPTF	K-2769,K-2779,K-3331
11	84101	UNION ASSY		1	1/8" TUBING	
11	84102	UNION ASSY		1	5/32" TUBING	
11	84103	UNION ASSY		1	"PUSH-TO-CONNECT" 5/32" TUBING	
12	13571	-O- RING CLAMP		2		
999	A-6918	ROADRANGER VALVE ASSY	A - 5013	1	STANDARD-W/LOGO	



10244-11-96 X-Bar

SHIFT BAR HOUSING

Item	Current Part	Description	Replaced Part	Qty.	Notes	Kits/Assys Where Needed
1	S-1445	SHIFT BAR HSG	18920 ,20135 ,20214 ,20215 ,20487 21135 ,4302452	1	HOUSING ONLY (X)	
2	4302676	GASKET	14918	1		K-2199,S-1527,S-1528
3	4304602	BREATHER	23605	1	1/4" NPT	
3	X-12-404	PIPE PLUG		1	1/4" NPT	
4	20070	OIL TROUGH		1		S-1527,S-1528

Item	Current Part	Description	Replaced Part	Qty.	Notes	Kits/Assys Where Needed
5	20332	AIR VALVE SHAFT	17177	1		S-1527,S-1528
6	X-8-423	CAPSCREW		2	1/4"-20X1/2"	
7	X-12-603	PIPE PLUG	X12 602	1	3/8" NPT	
8	20209	GASKET		1		S-1445,S-1446,S-1527,S-1528
9	20199	PLATE	18724	1		S-1445,S-1446,S-1527,S-1528
10	X-3-400	LOCKWASHER		2	1/4"	
11	X-8-406	CAPSCREW		2	1/4"-20X3/4"	
12	17179	GASKET		1		S-1445,S-1446,S-1527,S-1528
13	4303655	PLUG	17178	1		S-1445,S-1446,S-1527,S-1528
14	22941	NEUTRAL LIGHT SWITCH	12639	1	SWITCH NORMALLY CLOSED	
15	20815	LIFTING EYE	17105	2		S-2754
16	X-8L-602	CAPSCREW		2	3/8"-16X1-1/2"	
16	X-8L-604	CAPSCREW		16	3/8"-16X1-1/4"- OR USE 14 PCS OF X-8L-604 WITH 2 PCS OF X-8L-602	
17	15899	PIN		1		S-1445,S-1446,S-1527,S-1528
18	15900	GASKET		1		S-1445,S-1446,S-1527,S-1528
19	22940	REVERSE LIGHT SWITCH	16830	1	SWITCH NORMALLY OPEN	
20	4303656	PLUG	15917	1		S-1445,S-1446,S-1527,S-1528
21	15918	SPRING		3		K-2779,K-2801,S-1527,S-1528
22	X-14-800	STEEL BALL		3	1/2"	
23	K-3104	ACTUATOR PIN KIT	4303287	1		
26	16131	SHIFT YOKE		1	REVERSE/LO	S-1219,S-1527
27	X-14-1200	STEEL BALL		2	3/4"	
28	14658	SHIFT BLOCK		1	1ST/2ND	S-1527
29	3220	LOCKSCREW		5		S-1527,S-1528
30	1634	INTERLOCK PIN		1		K-2801,S-1527,S-1528
31	19063	SHIFT BLOCK		1	3RD/OD	S-1527
32	20120	SHIFT BLOCK	18924	1	3RD/OD	S-1527,S-1528
33	18928	YOKE BAR	4302760	1	3RD/OD	S-1527
34	18922	SHIFT YOKE		1	1ST/2ND	S-1527,S-1528
35	18927	YOKE BAR		1	1ST/2ND	S-1527
36	4302070	SNAP RING		1		K-3104,S-1527,S-1528
37	4303225	ACTUATOR		1		S-1527,S-1528
38	4305575	SHIFT YOKE	20450	1	3RD/OD	S-1527,S-1528
39	18926	YOKE BAR		1	REVERSE/LO	S-1527
40	10019	PLUNGER		1		S-1219,S-1527,S-1528
41	6392	SPRING		1		S-1219,S-1527,S-1528
42	8968	PLUG		1		S-1219,S-1527,S-1528
999	S-1527	SHIFT BAR HSG ASSY	20215 ,21135 ,4302452	1	COMPLETE (X)	

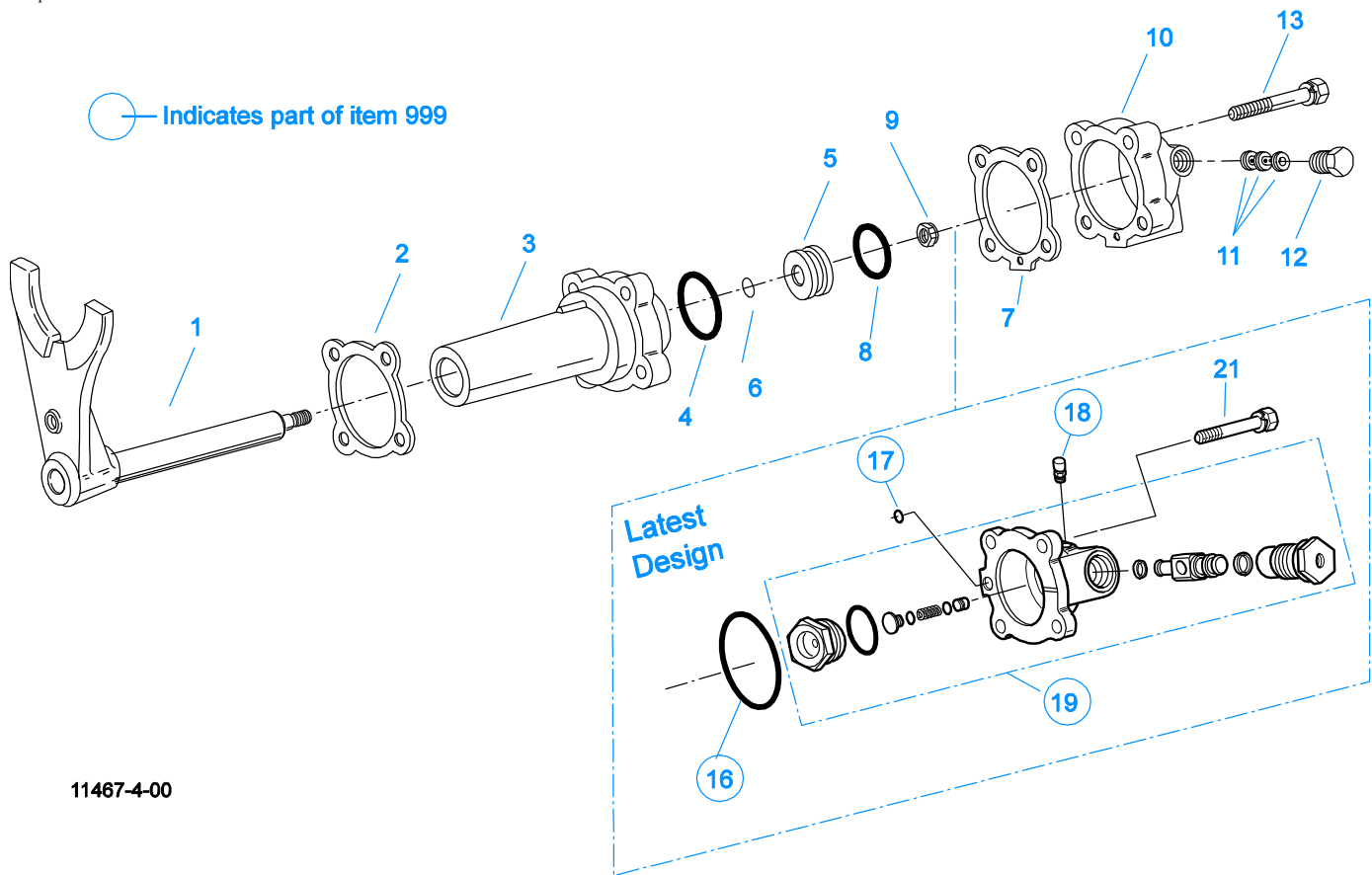


2 Repair Kit

10120-10-97 A-5000 SV

SLAVE VALVE - A-5000

Item	Current Part	Description	Replaced Part	Qty.	Notes	Kits/Assys Where Needed
1	A-5000	SLAVE VALVE ASSY	20850	1		
2	K-1935	REPAIR KIT-SLAVE VALVE		1	FOR A-5000 VALVE	
3	20855	PLUG		1		A-5000
4	20854	PISTON		1		A-5000
5	20849	CAP	15131	1		A-5000
7	S-1516	CAP ASSY	20851 ,20853	1		
8	X-8C-413	CAPSCREW		3	1/4"-20X1-1/2"	



11467-4-00

SPLITTER CYLINDER

Item	Current Part	Description	Replaced Part	Qty.	Notes	Kits/Assys Where Needed
1	A-7011	SPLITTER YOKE ASSY	A - 6303 ,A - 6894	1		
2	14632	GASKET		1	PRIOR TO SERIAL NUMBER 51130451 & PRIOR TO SERIAL NUMBERS STARTING WITH AN ALPHA CHARACTER	K-1603,K-2199,K-2803,K-2804
2	4303583	GASKET		1	BEGINNING W/SERIAL NUMBER 51130451 & ALL SERIAL NUMBERS STARTING WITH AN ALPHA CHARACTER	K-1603,K-2199,K-2803,K-2804
3	21609	SPLITTER CYLINDER		1	PRIOR TO SERIAL NUMBER 51130451 & PRIOR TO SERIAL NUMBERS STARTING WITH AN ALPHA CHARACTER	
3	4303582	SPLITTER CYLINDER		1	BEGINNING W/SERIAL NUMBER 51130451 & ALL SERIAL NUMBERS STARTING WITH AN ALPHA CHARACTER	
4	21208	-O- RING		1		K-2803,K-2804
5	4301964	PISTON		1		
6	13653	-O- RING		1		K-2803,K-2804,K-3331
7	17073	GASKET		1		K-1603,K-2199,K-2803,K-2804
8	21209	-O- RING		1		K-2803,K-2804
9	X-1-805	NUT		1		
10	K-3331	SPLITTER VLV REPL KIT	4300927 ,4304031 ,4304032 ,A - 6862	1		
11	19974	INSERT VALVE	15512 4303616	1		K-2288,K-2769,K-2779
12	15719	PLUG		1		
13	X-8L-540	CAPSCREW		4	5/16"-18X1-7/8"	
16	5568534	-O- RING		1		K-2804,K-3331
17	13653	-O- RING		1		K-2803,K-2804,K-3331
18	X2014210	BREATHER	7935	1		