



## Eaton Fuller RTLO-9118A-MT Transmission Parts Manual

This is Eaton Fuller RTLO-9118A-MT Transmission parts manual brought to you by Pro Gear and Transmission to assist you identifying the parts for your Eaton / Fuller transmission unit.

If you need any assistance identifying the correct Eaton / Fuller unit for your truck and equipment, contact your Eaton replacement parts specialists at Pro Gear and Transmission.

Pro Gear stocks every part for your Eaton transmission including: Valve Assemblies, Synchronizers, Yoke Assemblies, O-Ring Kits, Drive Gears, Gaskets, Bearing and Seal Kits, and much more.

Pro Gear and Transmission has same day shipping and thousands of products in stock and ready to ship internationally for your next project.

For parts or service contact the Eaton transmission specialists at Pro Gear & Transmission, Inc.

 CALL US

 EMAIL US

 VISIT MODEL PAGE

 VISIT ONLINE STORE



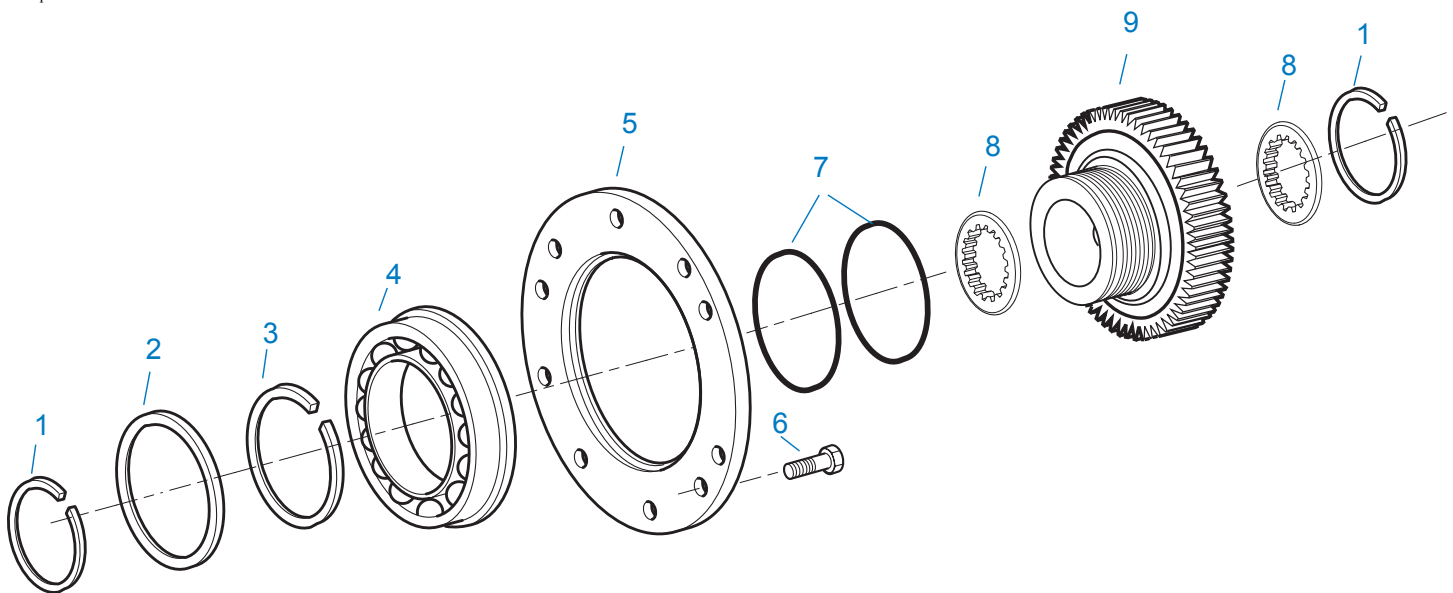
**Roadranger®**

More time on the road®

# Illustrated Parts List

---

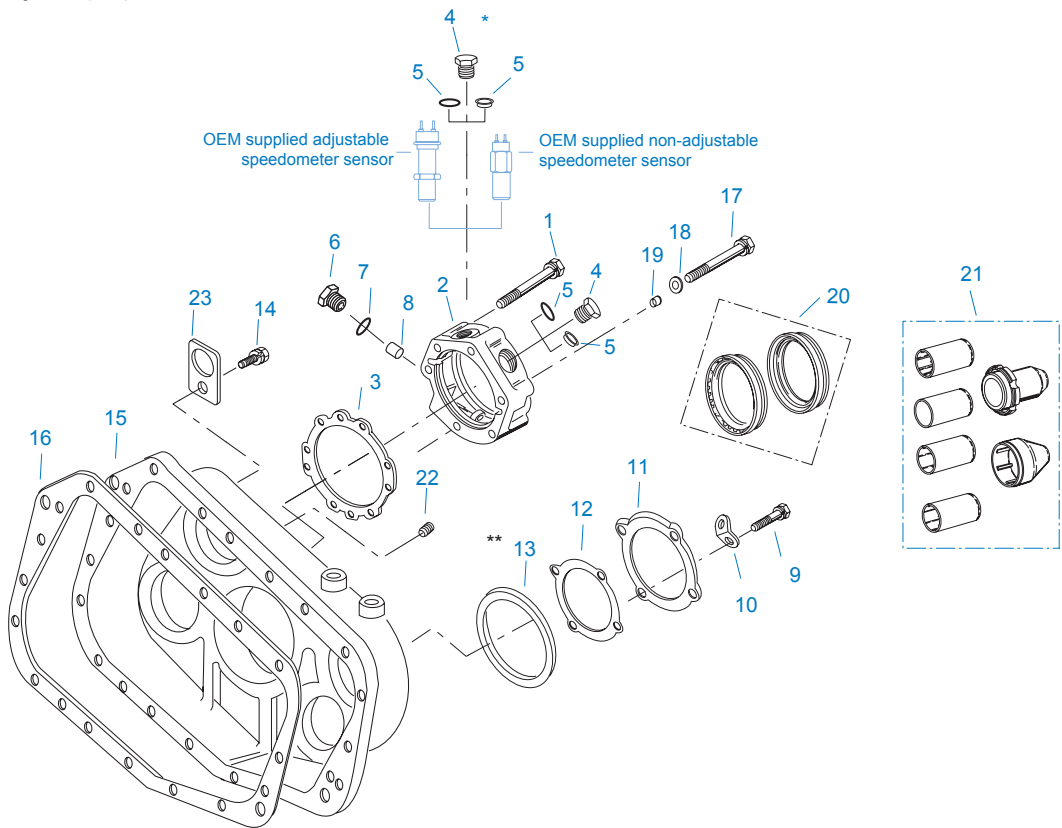
**RTLO-9118A-MT**  
**November 2008**



10481-12/92 Aux DG

### AUXILIARY DRIVE GEAR

Item	Current Part	Description	Replaced Part	Qty.	Notes	Kits/Assys Where Needed
1	16763	SNAP RING		2		K-2433,K-2871,K-2872
2	21320	SNAP RING RETAINER		1		K-3189
3	16628	SNAP RING		1		K-2433
4	5566507-BOX	BEARING	5566504,5566507	1		K-2871,K-2872
5	16138	BEARING RETAINER		1		
6	X-8-645	CAPSCREW	X 8 612	1	3/8"-16X1"	
7	17453	-O- RING		2		K-2871,K-2872,K-3189
8	21599	WASHER		2		
9	K-3189	REPLT KIT-DRIVE GEAR	4300467 ,4303558 ,K - 2312	1		



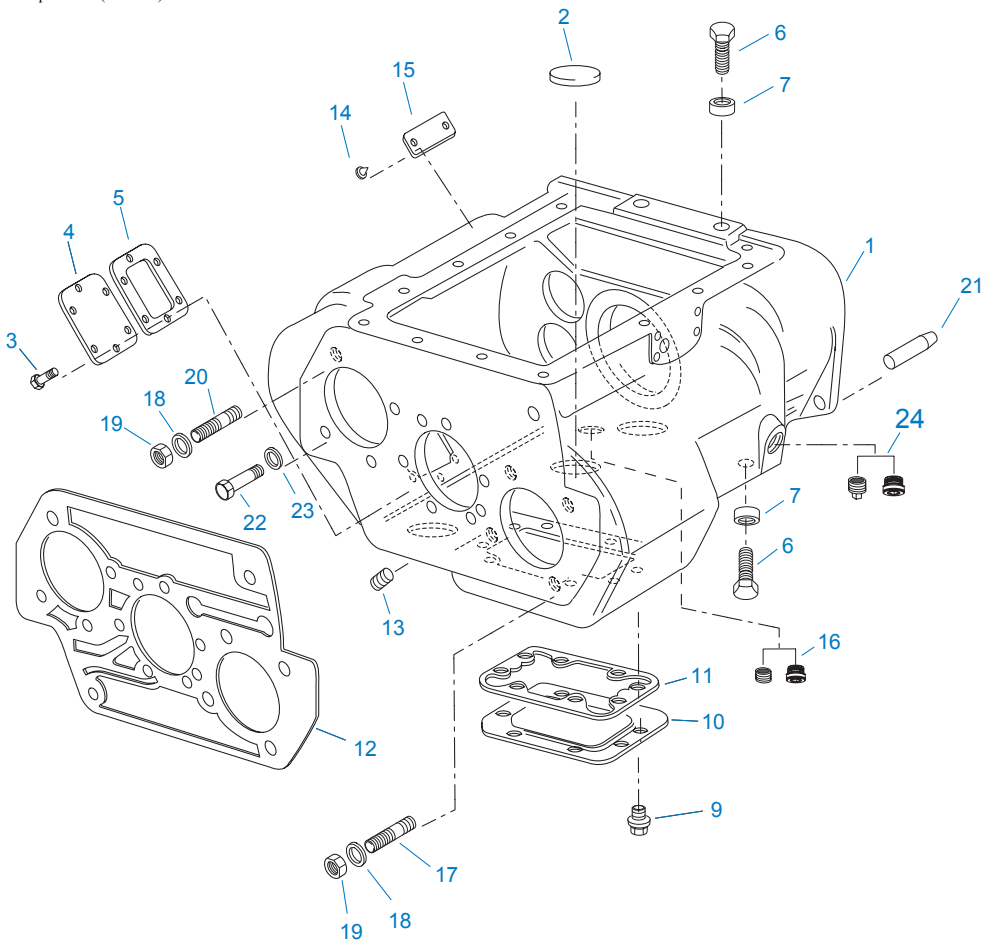
\* Note — Items 4 & 5 / Magnetic Speedometer Openings:  
 Use 13679 "O" ring w/ OEM supplied adjustable speedometer sensor  
 and 20225 "O" ring w/ OEM supplied non-adjustable speedometer sensor or Eaton part #20224 Plug  
 \*\* See Service Manual for Proper Shimming Procedure  
 20526-3-94 Aux Case CE-18

### CASE (AUX)

Item	Current Part	Description	Replaced Part	Qty.	Notes	Kits/Assys Where Needed
1	X-8L-611	CAPSCREW		5	3/8"-16X3-1/4"	
2	S-2119	REAR BRG COVER ASSY	20048 ,22045 ,4302009 ,4302031 ,S - 1558 S - 1560	1	EXTENDED	
3	15532	GASKET		1		K-1603,K-2262,K- 2870,S-2119
4	20224	PLUG-MAGNETIC		2		S-2119
5	13679	-O- RING		1	USE W/OEM SUPPLIED ADJUSTABLE SPEEDOMETER SENSOR	
5	20225	-O- RING		2	USE W/20224 PLUG OR OEM SUPPLIED NON-ADJUSTABLE SPEEDOMETER SENSOR NOT TO BE USED WITH 4301954 SEAL O-RING NOT REQUIRED	
5	4301954	SENSOR SEAL		2		S-2119
6	20226	PLUG-MECHANICAL		1		S-2119
7	14142	-O- RING		1		S-2119
8	7992	BUSHING		1		S-2119
9	X-8L-604	CAPSCREW		8	3/8"-16X1-1/4"	
10	20815	LIFTING EYE		2		
11	4300925	REAR BEARING COVER	4300185	2		
12	4300186	GASKET		2		K-1603,K-2870
13	K-2430	SHIM KIT	21452	1		K-2871,K-2872
14	X-8L-602	CAPSCREW		9	3/8"-16X1-1/2"	
14	X-8L-604	CAPSCREW		8	3/8"-16X1-1/4"	
14	X-8L-614	CAPSCREW		1	3/8"-16X2"	
15	S-2986	REAR HOUSING CASE ASSY	4300181 ,4300863	1		
16	14335	GASKET		1		K-1603,K-2870
17	X-8-611	CAPSCREW		1	3/8"-16X3-1/4"	

Item	Current Part	Description	Replaced Part	Qty.	Notes	Kits/Assys Where Needed
18	17106	GASKET		1		K-2262,K-2870,S-2119
19	19709	COLLAR		1		K-1603,K-2262,K-2870,S-2119
20	K-2262	OIL SEAL W/SLINGER	19109 20807 20808	1	"FOR MECHANICAL COVER"	K-2871,K-2872
21	K-3651	OIL SEAL TOOL KIT		1		
22	X-12-405	PIPE PLUG		1		
23	23646	LIFTING EYE		1		

Group: CASE (FRONT)

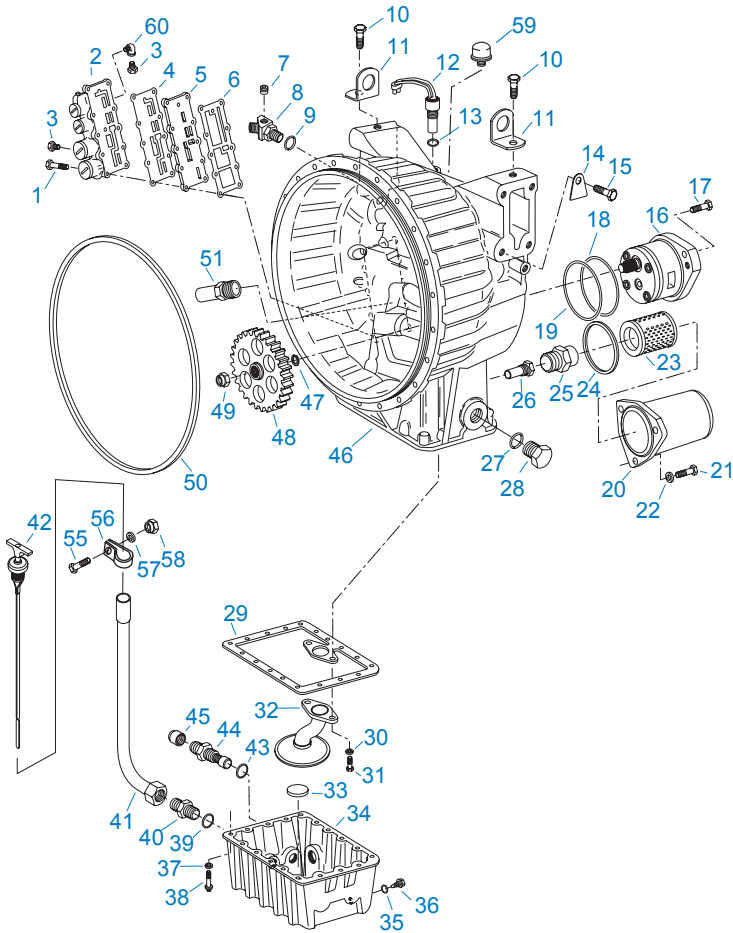


20446-3-94

### CASE (FRONT)

Item	Current Part	Description	Replaced Part	Qty.	Notes	Kits/Assys Where Needed
1	S-2278	CASE ASSY	4300592	1		
2	14373	MAGNET		3		S-2278
3	X-8-686	CAPSCREW		6	3/8"-16X3/4"	
4	14575	PTO COVER	4302254	1		
5	4305309	GASKET	1684	1		K-2870,K-2906
6	X-8-1005	CAPSCREW		4	5/8"-11X1-1/4"	
7	20814	SPACER		4		
9	X-8-725	CAPSCREW		8	7/16"-14X7/8"	
10	4302809	PTO COVER	16596 ,4300571	1		
11	4305310	GASKET	4302810	1		K-2870
12	22507	GASKET		1		K-2504,K-2626,K-2870
13	X-12-802	PIPE PLUG		1	1/2"	
16	4304023	PLUG	4303747	1	1-1/16" MAGNETIC, O-RING INCLUDED	
16	X-12-1207	PIPE PLUG	X12 1202 ,X12 1206	1	3/4" MAGNETIC	
17	4302708	STUD	5966	4		
18	X-10-1005	WASHER	X 3 1000 ,X10 1000 ,X10 1004 X 1 1000	6	1.23 X 6.60	
19	X-1-1005	NUT		6	5/8"-18	
20	22916	STUD		2		
21	18128	PIN		2		
22	X-8-808	CAPSCREW		4	1/2"-13X1-1/4"	
23	X-10-801	WASHER		4	1/2"	
24	4304023	PLUG	4303747	1	1-1/16" MAGNETIC, O-RING INCLUDED	
24	X-12-2007	PIPE PLUG	X12 2006	1		

Group: CONVERTER HOUSING ASSY



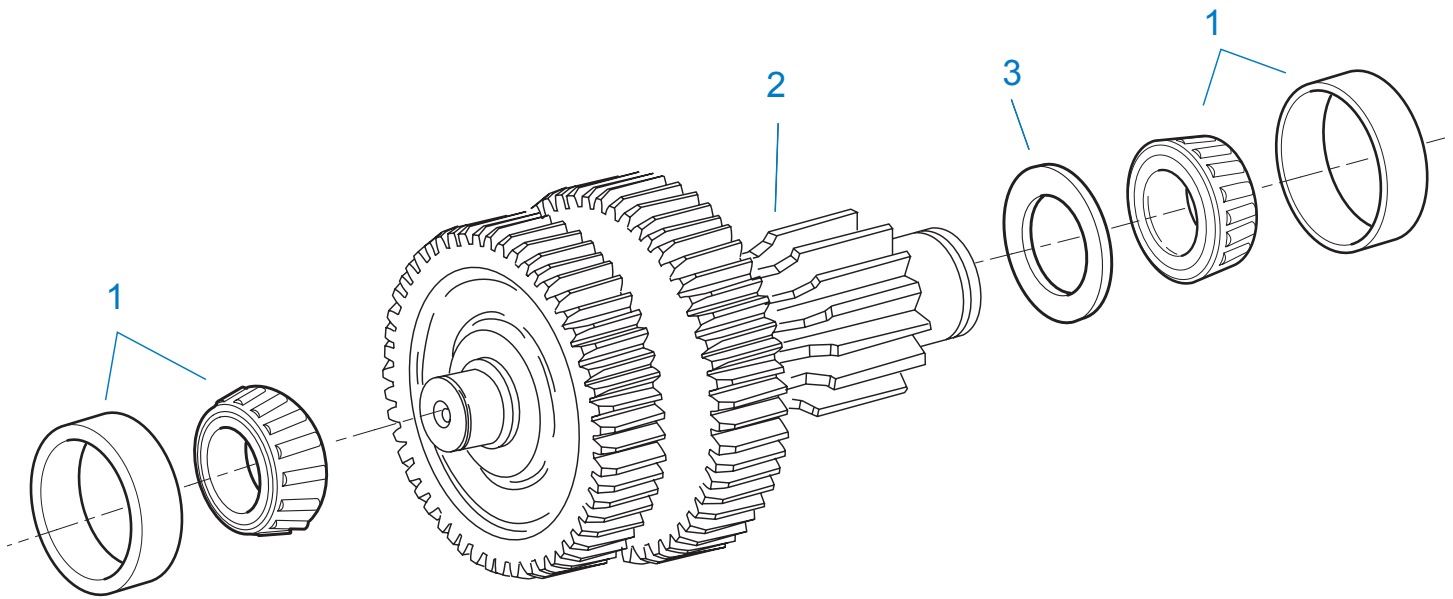
20403A-3-94

## CONVERTER HOUSING ASSY

Item	Current Part	Description	Replaced Part	Qty.	Notes	Kits/Assys Where Needed
1	X-8-693	CAPSCREW		2	3/8"-16X2-1/4"	
1	X-8L-626	CAPSCREW		2	3/8"-16X2-1/4"	
1	X-8L-681	CAPSCREW		6	3/8"-16X2-3/4"	
2	A-5383	VALVE ASSY		1		
3	X-12-210	PIPE PLUG		4	1/8"	
4	22532	GASKET		1		K-2393R,K-2626,K-2870
5	22533	NO LONGER AVAILABLE		1		
6	22534	GASKET		1		K-2393R,K-2626,K-2870
7	X-12-802	PIPE PLUG		1	1/2"	
8	4300315	ELBOW		1		
9	23109	-O- RING		1		K-2626,K-2877
10	X-8L-645	CAPSCREW		2	3/8"-16X1"	
11	23645	LIFTING EYE		2	90 DEG.	
12	K-2632	ENG SPEED SENSOR KIT	22569	1		
13	22504	-O- RING		1		K-2626,K-2632
14	23573	INSTRUCTION TAG		3		
15	X-8-1202	SCREW		3	3/4"-10X1"	
16	K-2911	OIL PUMP KIT	4300747 ,4302714	1		
17	X-8C-604	CAPSCREW		2	3/8"-16X1-1/4"	
18	691342	SEAL RING	5568503	1		K-2504,K-2626,K-2911
19	22430	-O- RING		1		K-2504,K-2626,K-2911
20	23220	FILTER BOWL		1		
21	X-8-6105	SCREW	X 8 6106	3	3/8"-16X1-1/4"	
22	X-3-607	CONICAL WASHER		3	3/8"	
23	22510	OIL FILTER		1		K-2314
24	23108	-O- RING		1		K-2314,K-2626
25	22512	NIPPLE		1		
26	A-5732	RELIEF VALVE ASSY		1		K-2626

Item	Current Part	Description	Replaced Part	Qty.	Notes	Kits/Assys Where Needed
27	23029	-O- RING		1		K-2626
28	23028	PLUG		1		
29	22474	GASKET		1		K-2314,K-2403,K-2626,K-2870
30	X-3-507	CONICAL WASHER		2	5/16"	
31	X-8-550	CAPSCREW		2	5/16"-18X1" 12 PT	
32	4301601	OIL TRANSFER TUBE	4300434	1		K-2403
33	14373	MAGNET		1		S-2278
34	4300432	OIL PAN		1		
35	4300484	WASHER		1		
36	4300438	DRAIN PLUG		1		
37	X-3-507	CONICAL WASHER		20	5/16"	
38	X-8-550	CAPSCREW		20	5/16"-18X1" 12 PT	
39	23109	-O- RING		1		K-2626,K-2877
40	22431	CONNECTOR		1		
41	5500506	OIL FILL TUBE		1	STANDARD	
42	5501023	DIPSTICK	5501008	1	STANDARD	
43	23029	-O- RING		1		K-2626
44	A-5754	VALVE ASSY		1		K-2626
45	4300452	CAP		1		
46	K-2626	#2 CONVERTER HSG KIT	4300324	1		
47	4302219	SNAP RING		1		K-2911
48	4302216	PUMP GEAR		1		
49	X-1-1008	NUT		1	5/8"-18	
50	22499	SEAL RING		1		K-2399,K-2504,K-2870
51	A-7119	FILTER BYPASS VALVE ASSY	A - 6067 A - 6393	1		K-2393R,K-2626
55	X-8-601	CAPSCREW		1	3/8"-16X3/4"	
56	4300626	CLAMP		1		
57	X-10-605	WASHER		1	3/8"	
58	X-9-604	NUT		1	3/8"-16	
59	4304602	BREATHER	23605	1	1/4" NPT	
60	12845	ELBOW		2	1/8"	

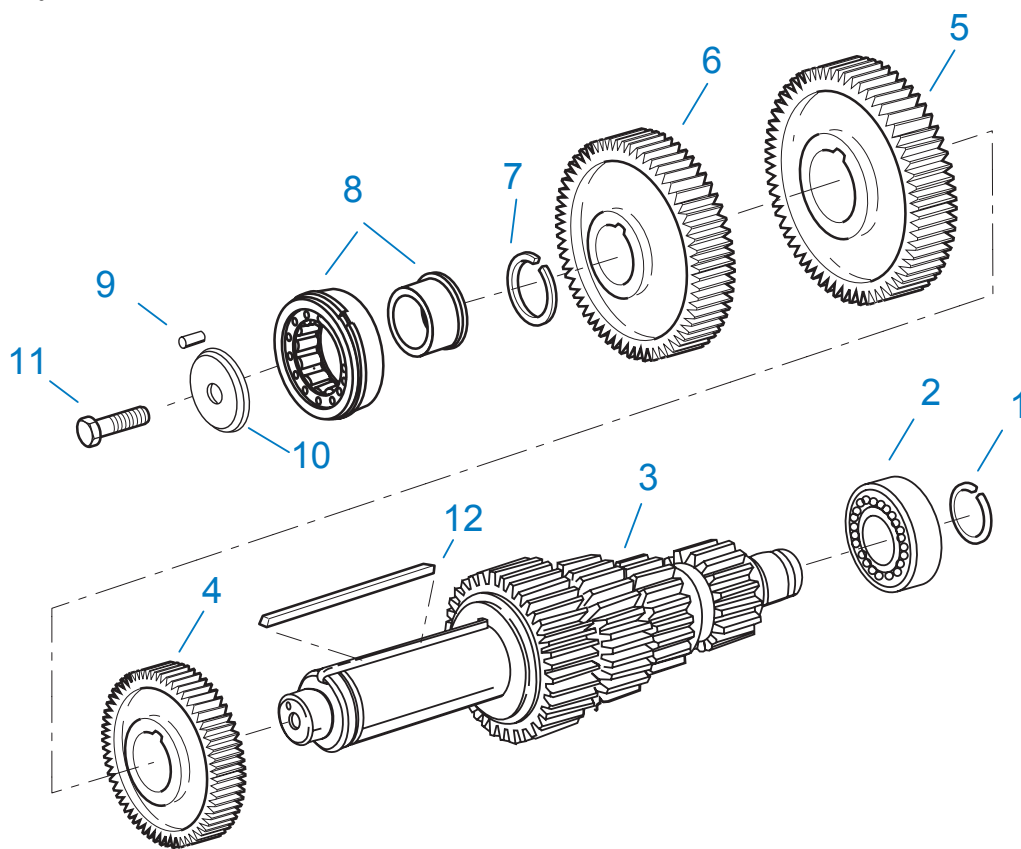




10441-4/92 Aux CS 13/18 spd

### COUNTERSHAFT & BRGS(AUX)

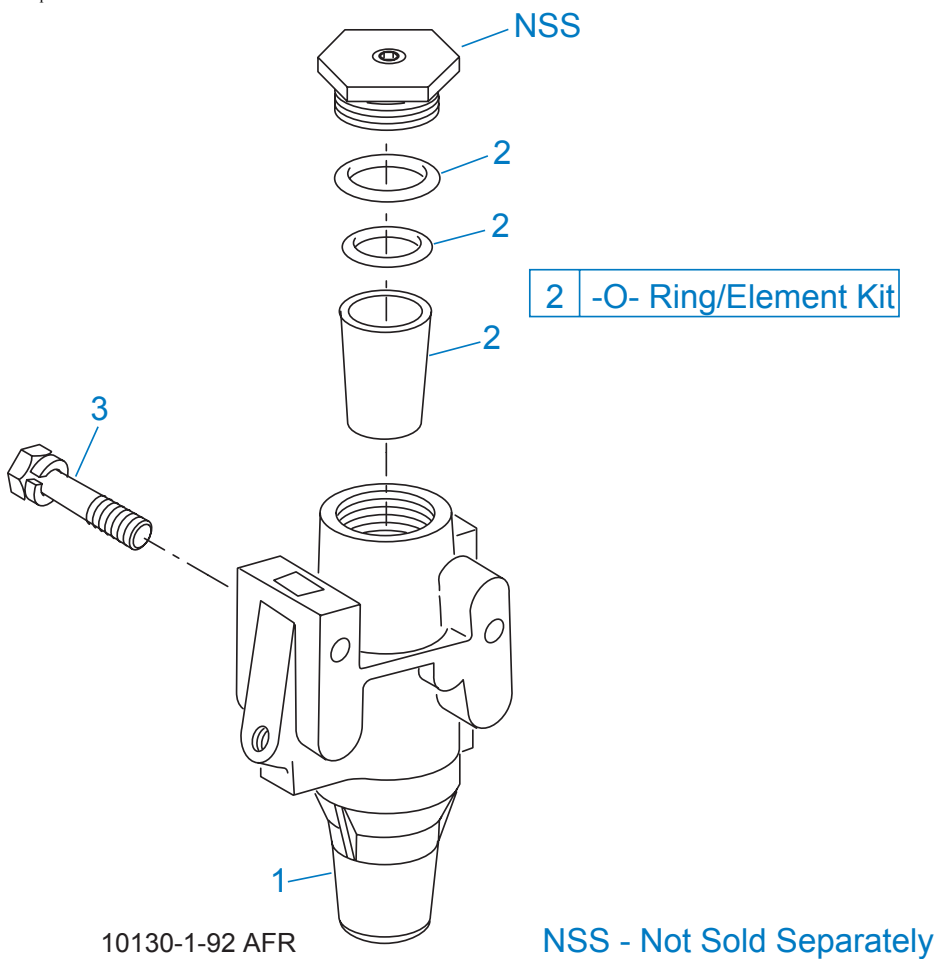
Item	Current Part	Description	Replaced Part	Qty.	Notes	Kits/Assys Where Needed
1	4302074-BOX	BEARING	21343,4302074	4		K-2871,K-2872
2	A-6840	WELDED COUNTERSHAFT ASSY	A - 5747 ,A - 5899	2	C/S 4303902 - D/G 4300783 S/G 4300396	
3	4300184	SPACER		2		



10342-4/92 CS/RTLO

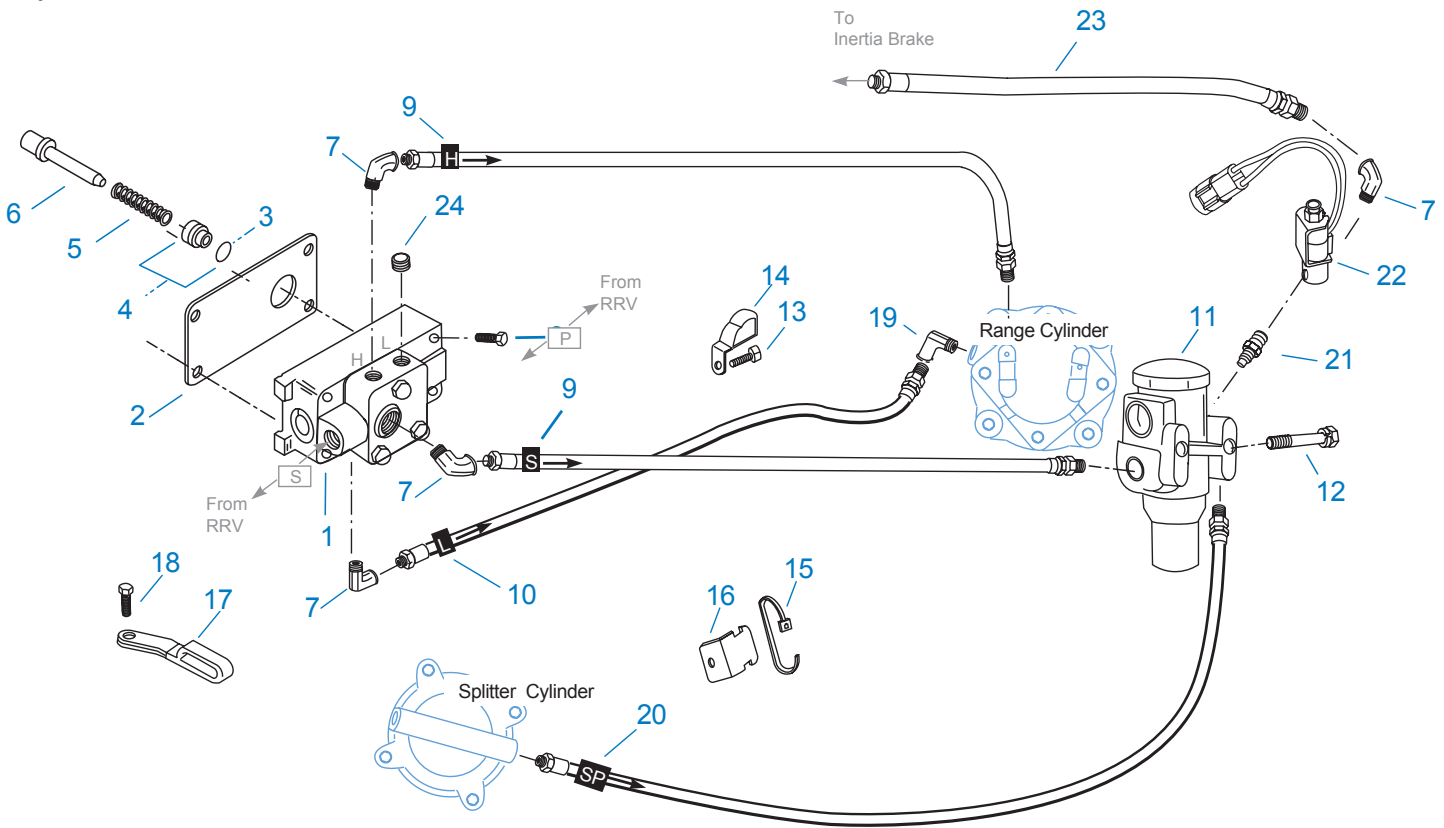
**COUNTERSHAFT ASSY**

Item	Current Part	Description	Replaced Part	Qty.	Notes	Kits/Assys Where Needed
1	14317	SNAP RING		2		K-2433,K-2871,K-2872
2	14366	BEARING		2		K-2871,K-2872
3	A-6689	CNTRSHFT W/1ST & 2ND	A - 5746 ,A - 5873 ,K - 2939 ,K - 2968	2		
4	21588	3RD GEAR-CNTRSHFT		2		
5	15953	PTO GEAR - LOWER		1		
5	16390	NO LONGER AVAILABLE		2	OPTIONAL IF PTO GEARS ARE NOT USED	
5	20840	PTO GEAR - UPPER		1		
6	21586	DRIVE GEAR-CNTRSHFT	22271	2		
7	19198	SNAP RING		2		
8	4304599	BEARING	4302677 4304598	2		K-2871,K-2872
9	62511	ROLL PIN		2		A-6340,A-6689,K-2433
10	4304605	RETAINER	19548	2	ROLL PIN NO LONGER REQUIRED	
11	X-7-1005	CAPSCREW		2	5/8"-18X1-3/4"	
12	4304840	KEY	19673	1	KEY INCLUDED IN COUNTERSHAFT ASSY	A-6689



### FILTER REGULATOR

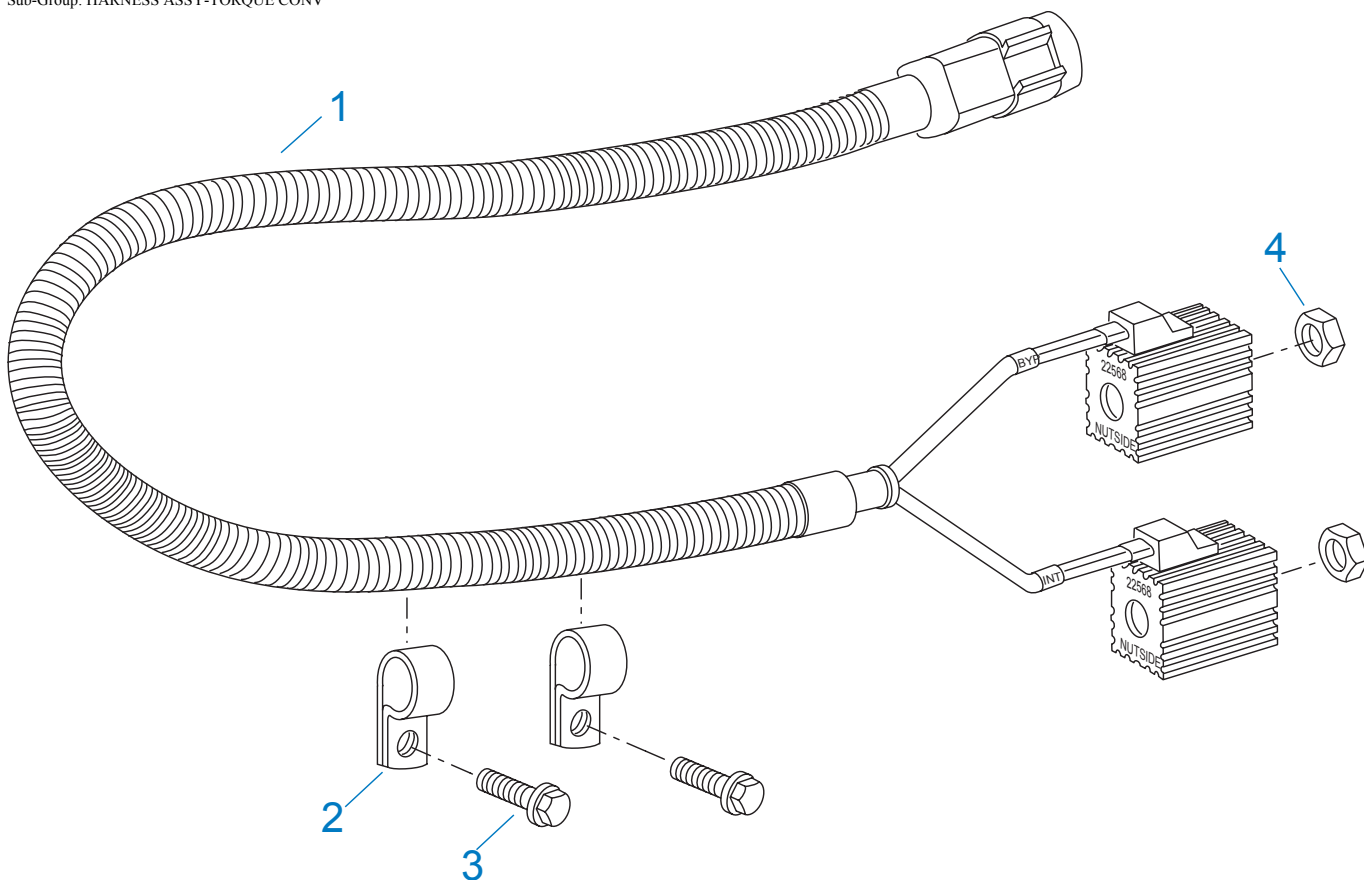
Item	Current Part	Description	Replaced Part	Qty.	Notes	Kits/Assys Where Needed
1	A-6058	FILTER REGULATOR ASSY		1		
2	K-1698	-O- RING/ELEMENT KIT		1	FOR FILTER REGULATOR	
3	X-8C-412	CAPSCREW	X 8S 412	2	1/4"-20X2-1/4"	



10110C-3-94 A-5000 CE HC spl cy

### H & C W/A-5000 VALVE

Item	Current Part	Description	Replaced Part	Qty.	Notes	Kits/Assys Where Needed
1	A-5000	SLAVE VALVE ASSY	20850	1		K-2424
2	19481	GASKET		1		K-2424,K-2870
3	19462	-O- RING	14033	1		K-1969
4	K-1969	SLEEVE KIT	14362 ,19460 ,21446	1	FOR SLAVE VALVES	
5	21268	SPRING	19572	1		
6	20490	PIN	19459	1		
7	12845	ELBOW		4	1/8"	
8	X-8C-411	CAPSCREW		4	1/4"-20X1-3/4"	
9	55509	HOSE ASSY		2	34"	
10	55518	HOSE ASSY		1	32"	
11	A-6058	FILTER REGULATOR ASSY		1		
12	X-8C-412	CAPSCREW	X 8S 412	2	1/4"-20X2-1/4"	
13	X-8L-601	CAPSCREW		1	3/8"-16X3/4"	
14	21427	HOSE CLAMP		1		
15	21425	STRAP		1		
16	21426	BRACKET		1		
17	21428	HOSE CLAMP		1		
18	X-8L-604	CAPSCREW		1	3/8"-16X1-1/4"	
19	12880	ELBOW		1	1/8"	
20	55527	HOSE ASSY		1	15"	
21	12769	NIPPLE		1	1/8"	
22	4301252	SOLENOID VALVE 12V		1		
23	55523	HOSE ASSY		1	29"	
24	X-12-208	PIPE PLUG		1	1/8" NPT	



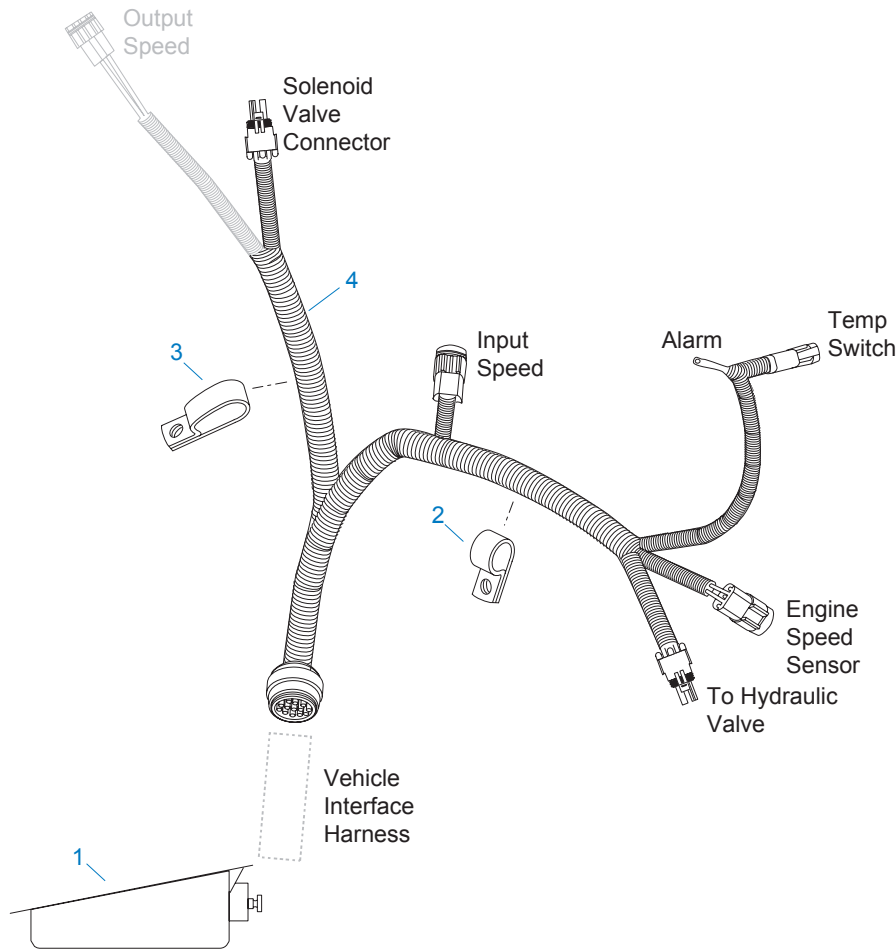
20309-3-94

## HARNESES & HARDWARE

### HARNESS ASSY-TORQUE CONV

Item	Current Part	Description	Replaced Part	Qty.	Notes	Kits/Assys Where Needed
1	4301251	HARNESS, TORQ CONV 12V		1		
2	11665	CLAMP		2		
3	X-8L-679	CAPSCREW		2	3/8"-16X1-3/4"	
4	X-1-809	JAM NUT		2	1/2"-20	

Group: HARNESES & HARDWARE  
 Sub-Group: HARNESS ASSY-TRANS



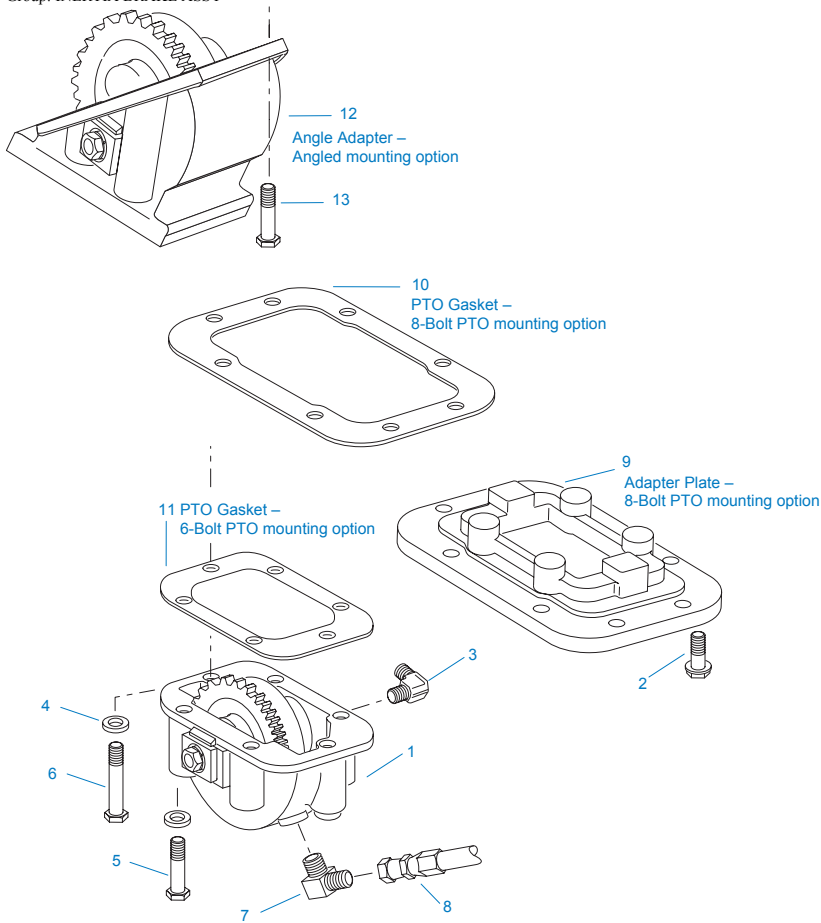
20301-3-94

## HARNESES & HARDWARE

### HARNESS ASSY-TRANS

Item	Current Part	Description	Replaced Part	Qty.	Notes	Kits/Assys Where Needed
1	A-6630	NO LONGER AVAILABLE	A - 6421	1	CUMMINS 8.3 LITER & L-10-350	
2	19727	HOSE CLAMP		1		
3	18769	HOSE CLAMP		1		
4	4302493	HARNESS	4301249	1		

Group: INERTIA BRAKE ASSY

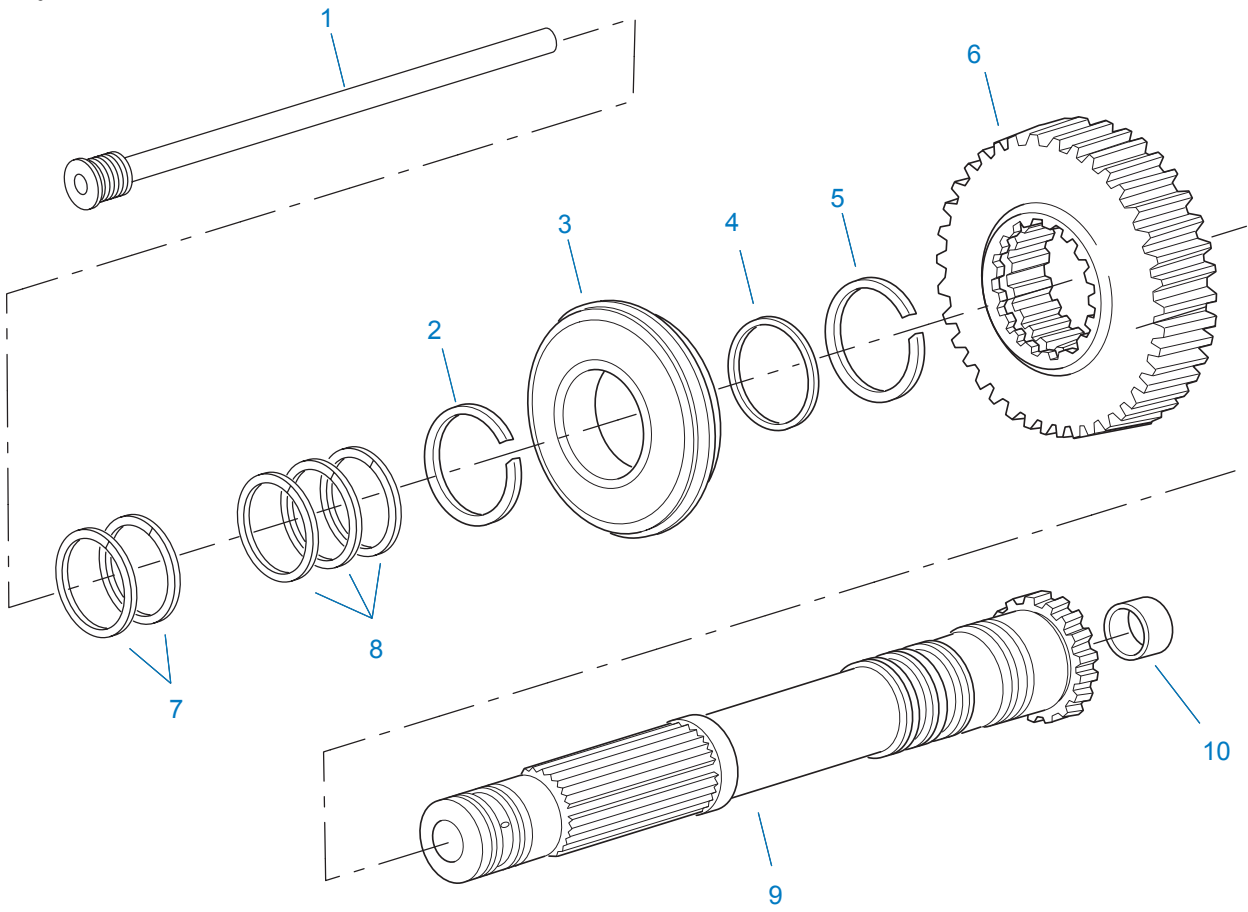


Note: Three mounting options are available for Inertia Brake – See Parts Listing for more information.  
20425-11-93

## INERTIA BRAKE ASSY

Item	Current Part	Description	Replaced Part	Qty.	Notes	Kits/Assys Where Needed
1	K-2906	INERTIA BRAKE KIT	A - 6200 ,A - 6437	1		
2	X-8L-722	CAPSCREW	X 8L 721	8	7/16"-14X1-1/4"	
3	12845	ELBOW		1	1/8"	
4	23473	WASHER		6		K-2906
5	X-8-636	SCREW		4	3/8"-16X3-3/4"	
6	X-8-624	CAPSCREW		2	3/8"-16X4"	
7	22424	ELBOW		1	90 DEGREE	K-2642,K-2643,K-2644
7	23486	CONNECTOR		1	STRAIGHT	K-2642,K-2643
8	22427	HOSE ASSY		1	6 BOLT POSITION	K-2643
8	4302098	HOSE ASSY		1	8 BOLT POSITION	K-2644
8	4302099	HOSE ASSY		1	ROTATED 6 BOLT POSITION	K-2642
9	18471	ADAPTER PLATE		1	8 BOLT POSITION	
10	4305310	GASKET	4302810	1		K-2870
11	4305309	GASKET	1684	1		K-2870,K-2906
12	4302464	ANGLE ADAPTER		1	ROTATED 6 BOLT POSITION	
13	X-8L-604	CAPSCREW		6	3/8"-16X1-1/4"	

Group: INPUT SHAFT & DRIVE GEAR



20465-11-93

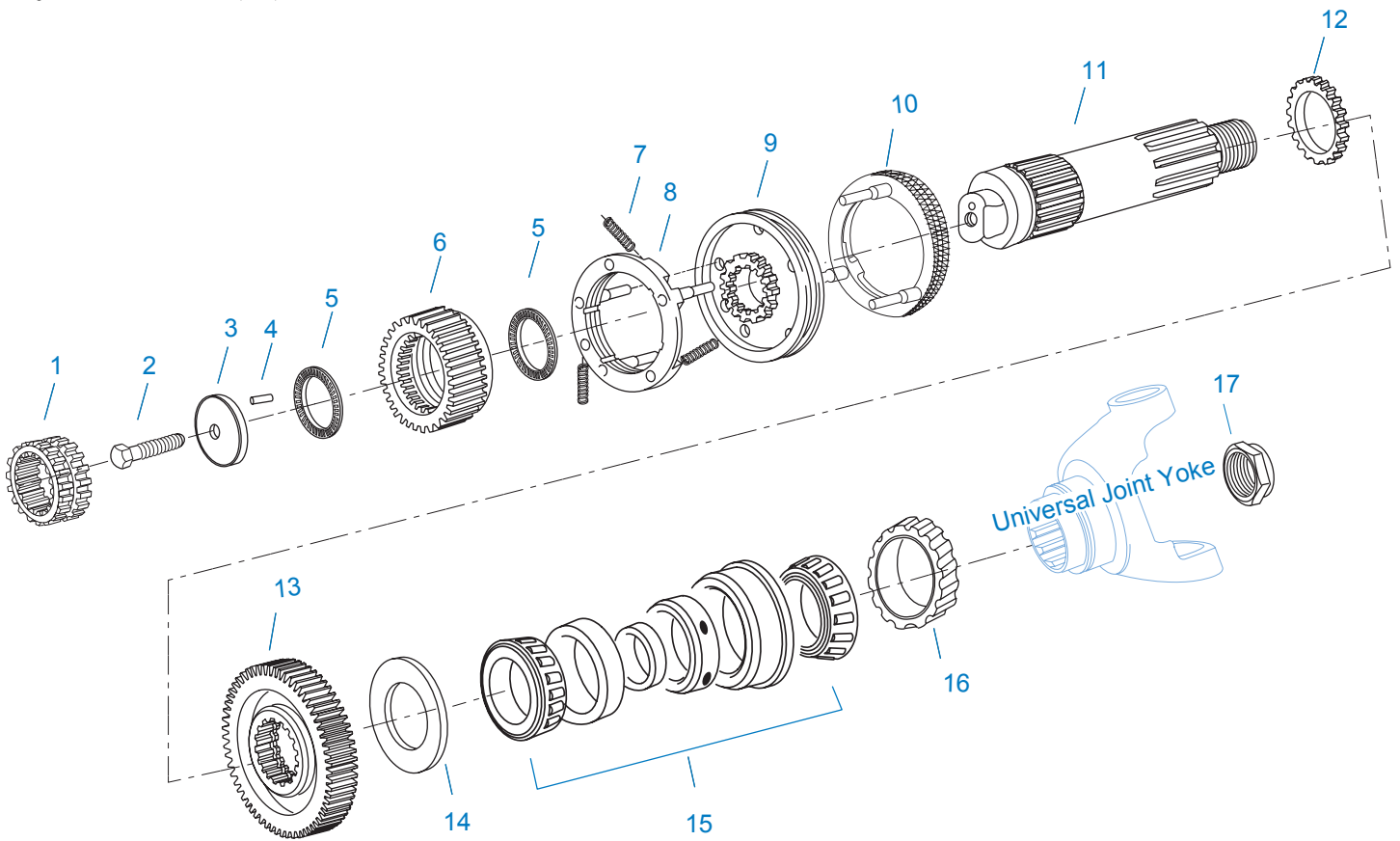
### INPUT SHAFT & DRIVE GEAR

Item	Current Part	Description	Replaced Part	Qty.	Notes	Kits/Assys Where Needed
1	22500	INPUT SHAFT OIL TUBE		1		S-1644
2	16980	SNAP RING		1		K-2871,K-2872
3	81504	BEARING		1		K-2871,K-2872
4	16463	SPACER		1		
5	14750	SNAP RING		1		K-2433,K-2871,K-2872
6	20458	DRIVE GEAR	19630	1		
7	22428	PISTON RING		2		K-2399,K-2504
8	22508	PISTON RING		3		K-2399
9	S-1644	INPUT SHAFT ASSY	22483	1		K-2869
10	20171	BUSHING		1		K-2871,S-1644



## KITS & ASSEMBLIES

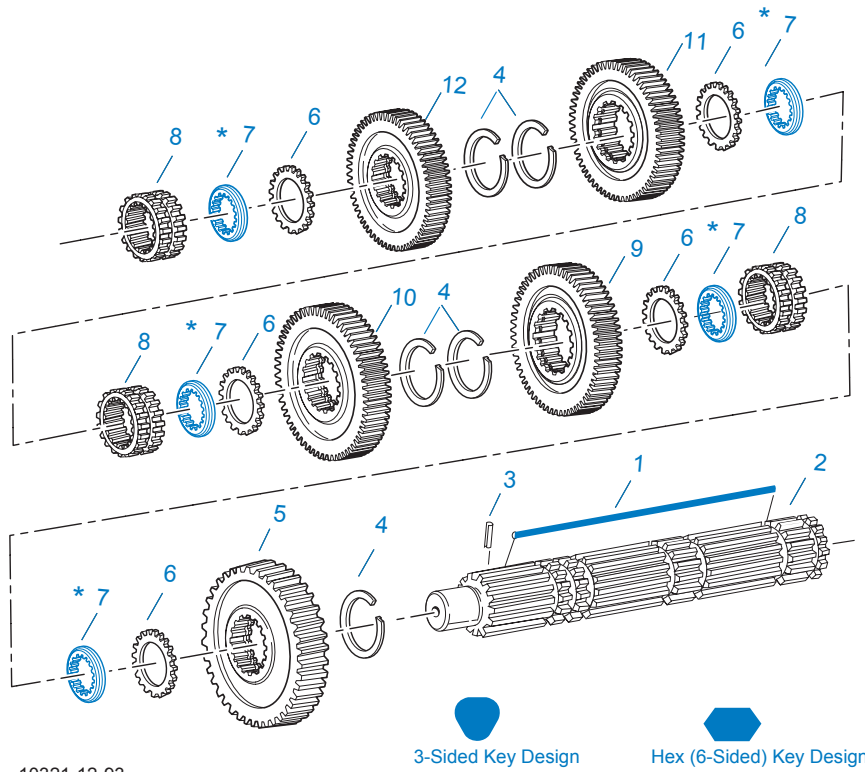
Item	Current Part	Description	Replaced Part	Qty.	Notes	Kits/Assys Where Needed
	K-1450	-O- RING KIT-RANGE		1		
	K-1603	GASKET KIT		1	FOR AUXILIARY SECTION	
	K-1698	-O- RING/ELEMENT KIT		1	FOR FILTER REGULATOR	
	K-1935	REPAIR KIT-SLAVE VALVE		1	FOR A-5000 VALVE	
	K-1969	SLEEVE KIT	14362 ,19460 ,21446	1	FOR SLAVE VALVES	
	K-2002	-O- RING KIT		1	COMPLETE	K-2871,K-2872
	K-2072	MASTER VALVE REPAIR KIT		1	FOR A-5013 VALVE	
	K-2073	MASTER VALVE REPAIR KIT		1	FOR A-5318 VALVE	
	K-2078	-O- RING KIT - SPLITTER		1	SPLITTER	
	K-2262	OIL SEAL W/SLINGER	19109 20807 20808	1	"FOR MECHANICAL COVER"	K-2871,K-2872
	K-2314	OIL FILTER KIT		1		
	K-2366	KEY & WASHER KIT	21326 ,4300763 ,4304614	1	CONTAINS 3-SIDED KEY	
	K-2393R	REMAN HYDRA VALVE KIT	K - 3084	1		
	K-2394	AIR SYSTEMS TOOL KIT		1		
	K-2399	CONVERTOR SEAL KIT		1		K-2626,K-2649,K-2868,K-2869
	K-2403	OIL PAN RETRO KIT		1	STANDARD	
	K-2424	VALVE REPLACEMENT KIT	19470	1		
	K-2430	SHIM KIT	21452	1		K-2871,K-2872
	K-2433	SMALL PARTS KIT		1		
	K-2504	OIL PUMP KIT		1		
	K-2626	#2 CONVERTER HSG KIT	4300324	1		
	K-2642	6 BOLT ROTATED LINE KIT		1		
	K-2643	6 BOLT OIL LINE KIT		1		
	K-2644	8 BOLT OIL LINE KIT		1		
	K-2831	CYLINDER KIT-RANGE		1		
	K-2868	STATOR SUPPORT KIT		1		
	K-2869	INPUT SHAFT KIT		1		
	K-2870	GASKET KIT		1	COMPLETE	K-2871,K-2872
	K-2871	BASIC REBUILD KIT		1		
	K-2872	BASIC OVERHAUL KIT		1		
	K-2877	SUMP TUBE RETURN KIT	K - 2620	1		
	K-2911	OIL PUMP KIT	4300747 ,4302714	1		
	K-3189	REPLT KIT-DRIVE GEAR	4300467 ,4303558 ,K - 2312	1		
	K-3191	MASTER VALVE REPAIR KIT		1	FOR A-6918 VALVE	
	K-3196	MASTER VALVE REPAIR KIT		1	FOR A-7318 VALVE	
	K-3209	IDLER SHAFT REPL KIT	16405 ,4302981 ,4305513	1		
	K-3492	SYNCHRONIZER KIT	K - 2446	1		
	K-3494	SYNCHRONIZER REPLACEMENT KIT	K - 2448	1	SLIDING CLUTCH INCLUDED IN KIT	
	K-3651	OIL SEAL TOOL KIT		1		
	S-1219	YOKE ASSY LOW-REV		1		
	S-1516	CAP ASSY	20851 ,20853	1		
	S-1644	INPUT SHAFT ASSY	22483	1		K-2869
	S-1653	STATOR SUPPORT ASSY	22489	1		K-2868
	S-2119	REAR BRG COVER ASSY	20048 ,22045 ,4302009 ,4302031 ,S - 1558 S - 1560	1	EXTENDED	
	S-2278	CASE ASSY	4300592	1		
	S-2280	SHIFT BAR HSG	23738	1	HOUSING ONLY	
	S-2660	MAINSHAFT ASSY	21594 ,4303714 ,S - 1561	1		



10423-10/92 Aux MS RTLO 10

### MAINSHAFT & SYNCHRO(AUX)

Item	Current Part	Description	Replaced Part	Qty.	Notes	Kits/Assys Where Needed
1	21930	SLIDING CLUTCH		1		
2	X-7-1005	CAPSCREW		1	5/8"-18X1-3/4"	
3	A-6340	RETAINER ASSY	4302057	1		
4	62511	ROLL PIN		1		A-6340,A-6689,K-2433
5	4302058	BEARING		2		K-2872
6	21931	SPLITTER GEAR		1		
7	14897	SPRING		3		K-2433,K-2871,K-2872,K-3492,K-3494
8	A-7331	SYNCHRONIZER ASSY	4304396 4304397 A - 5917	1	HI RANGE	
9	20323	SLIDING CLUTCH		1		K-3494
10	A-7254	SYNCHRONIZER ASSEMBLY	A - 4937 A - 5876	1	LO RANGE	K-3492,K-3494
11	4302059	AUXILIARY MAINSHAFT		1		
12	19203	SPACER		1		K-2433
13	21918	REDUCTION GEAR		1		
14	16772	WASHER		1		K-2433
15	15260	BEARING		1		K-2871,K-2872
16	20191	ROTOR	16295	1		
17	22254	NUT		1		



10321-12-93

3-Sided Key Design

Hex (6-Sided) Key Design

\* Updating to 3-Sided Key is Recommended.

When Updating to 3-Sided Key Replace all Washers to Match Key Design

Always Use Matching Key and Washer Sets (See Appendix - Mainshaft Washers)

## MAINSHAFT ASSY

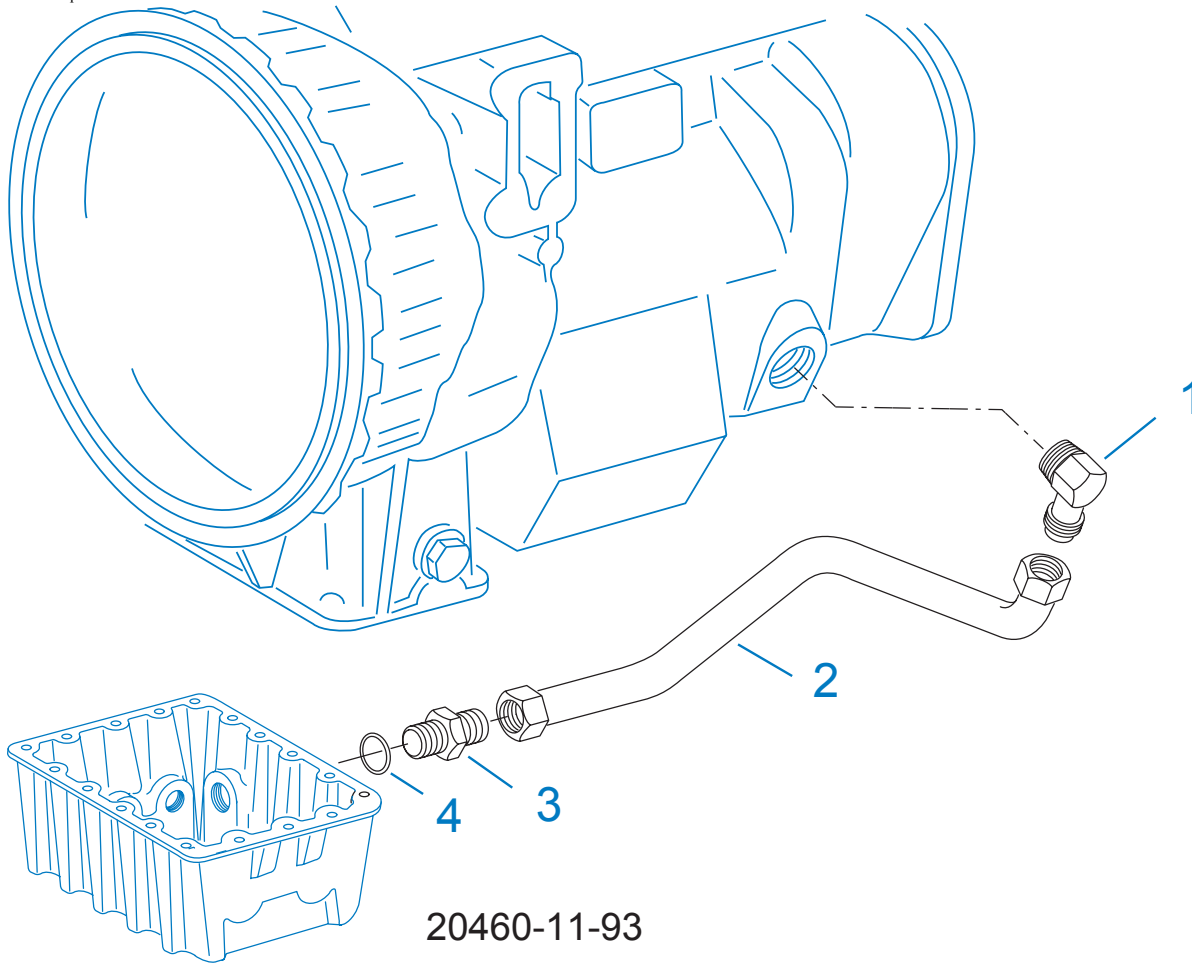
Item	Current Part	Description	Replaced Part	Qty.	Notes	Kits/Assys Where Needed
1	4304614	3-SIDED KEY	4300890	1		K-2366,K-2433
1	K-2366	KEY & WASHER KIT	21326 ,4300763 ,4304614	1	CONTAINS 3-SIDED KEY	
2	S-2660	MAINSHAFT ASSY	21594 ,4303714 ,S-1561	1		
3	62504	ROLL PIN		1		S-2660
4	14750	SNAP RING		5		K-2433,K-2871,K-2872
5	16756	REVERSE GEAR-MAINSHAFT	22408	1		
6	14749	SPACER		5		K-2433
7	14711	WASHER .248-.250 WHITE	18701	5	OPTIONAL 14711-14716 USE ANY 5 WASHERS USE WITH 21326 KEY	
7	14712	WASHER .253-.255 GREEN	18702	5	OPTIONAL 14711-14716 USE ANY 5 WASHERS USE WITH 21326 KEY	
7	14713	WASHER .258-.260 ORANGE	18703	5	OPTIONAL 14711-14716 USE ANY 5 WASHERS USE WITH 21326 KEY	
7	14714	WASHER .263-.265 PURPLE	18704	5	OPTIONAL 14711-14716 USE ANY 5 WASHERS USE WITH 21326 KEY	
7	14715	WASHER .268-.270 YELLOW	18705	5	OPTIONAL 14711-14716 USE ANY 5 WASHERS USE WITH 21326 KEY	
7	14716	WASHER .273-.275 BLACK	18706	5	OPTIONAL 14711-14716 USE ANY 5 WASHERS USE WITH 21326 KEY	
7	4300382	WASHER .249-WHITE		5		K-2366,K-2433
7	4300383	WASHER .254-GREEN		5	OPTIONAL 4300382-4300387 OR 4300830 USE ANY 5 WASHERS. USE WITH 3-SIDED KEY	K-2366,K-2433
7	4300384	WASHER .259-ORANGE		5	OPTIONAL 4300382-4300387 OR 4300830 USE ANY 5 WASHERS. USE WITH 3-SIDED KEY	K-2366,K-2433
7	4300385	WASHER .264-PURPLE		5	OPTIONAL 4300382-4300387 OR	

Item	Current Part	Description	Replaced Part	Qty.	Notes	Kits/Assys Where Needed
7	4300386	WASHER .269-YELLOW		5	4300830 USE ANY 5 WASHERS. USE WITH 3-SIDED KEY	
7	4300387	WASHER .274-BLACK		5	OPTIONAL 4300382-4300387 OR 4300830 USE ANY 5 WASHERS. USE WITH 3-SIDED KEY	
7	4300830	WASHER .244-BLUE		5	OPTIONAL 4300382-4300387 OR 4300830 USE ANY 5 WASHERS. USE WITH 3-SIDED KEY	K-2366,K-2433
8	16118	SLIDING CLUTCH		3		K-2872
9	4300654	LO GEAR-MAINSHAFT	21593	1		
10	21591	1ST GEAR-MAINSHAFT		1		
11	21589	2ND GEAR-MAINSHAFT		1		
12	21587	3RD GEAR-MAINSHAFT		1		

## MISCELLANEOUS

Item	Current Part	Description	Replaced Part	Qty.	Notes	Kits/Assys Where Needed
21628		SHIFT DIAGRAM LABEL	4300591	1		
71203		SILICONE LUBE		1	8 OZ (236.59 CC)-FLEET SIZE	
71204		ADHESIVE SEALANT		1	0.5 CC (SINGLE APPLICATION SIZE)	
71205		SEALANT		1	2 CC (SINGLE APPLICATION SIZE)	K-2314,K-2872
71206		SILICONE LUBE		1	4 CC (SINGLE APPLICATION SIZE)	K-1450,K-2002,K-2078,K-2314,K-2831

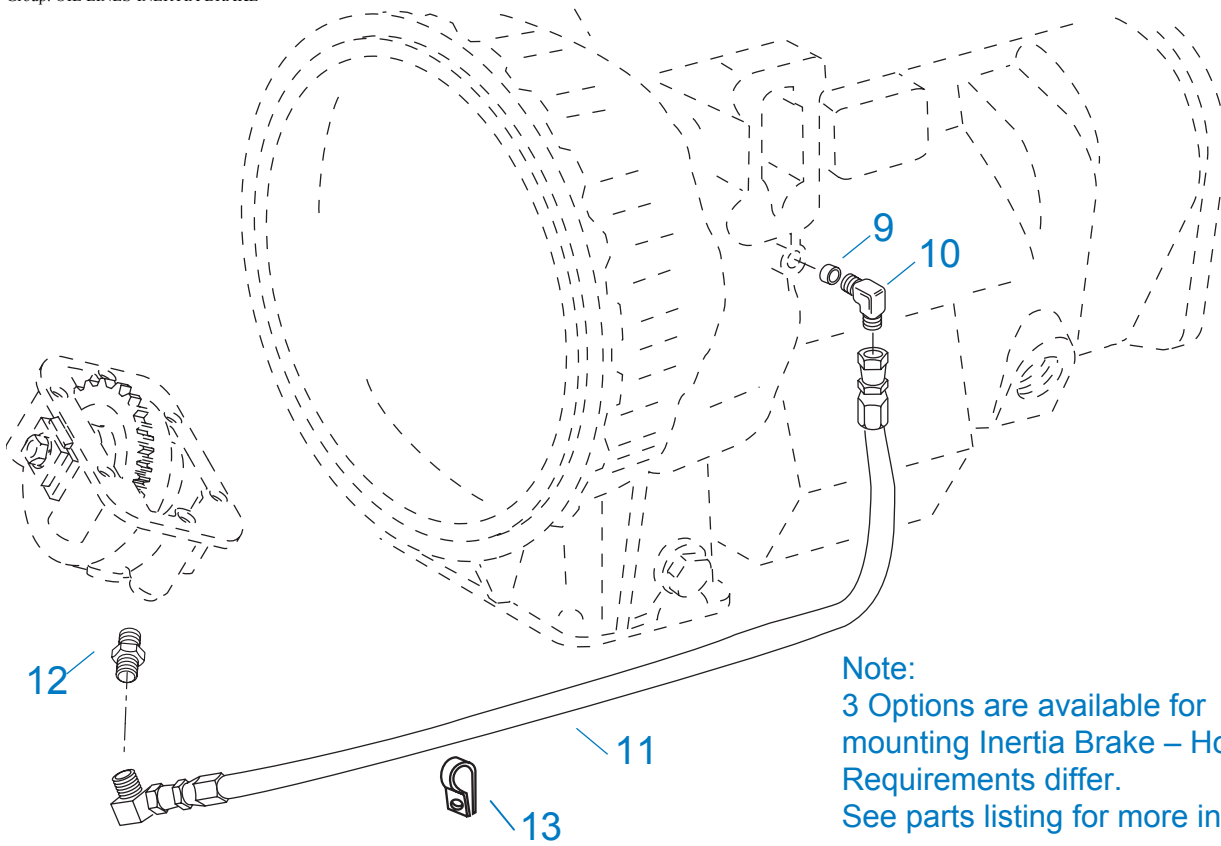
Group: OIL LINE RETURN  
 Sub-Group: OIL LINE RETURN-STD



## OIL LINE RETURN

### OIL LINE RETURN-STD

Item	Current Part	Description	Replaced Part	Qty.	Notes	Kits/Assys Where Needed
1	4301100	ELBOW	23597	1		
2	4301101	TUBE	23778	1		
3	23596	CONNECTOR		1		
4	23109	-O- RING		1		

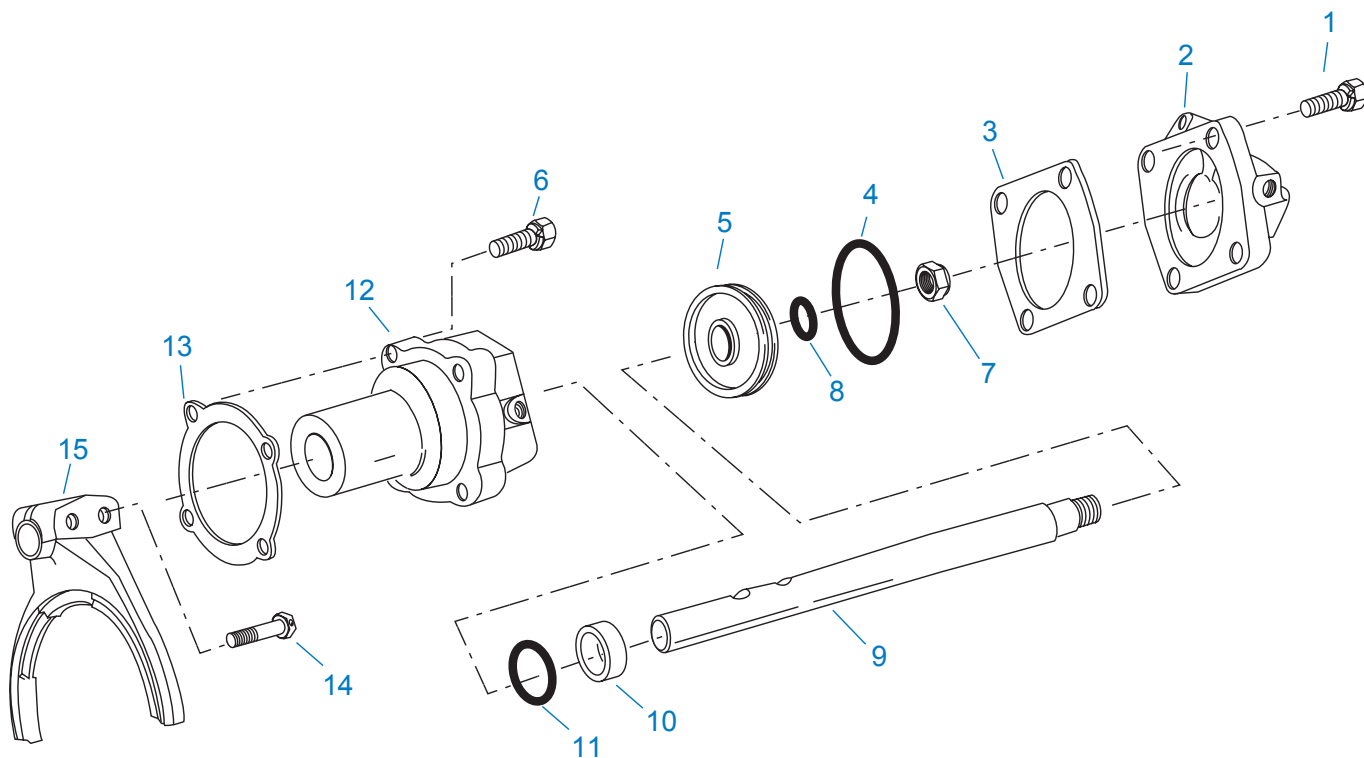


Note:  
 3 Options are available for  
 mounting Inertia Brake – Hose Assy  
 Requirements differ.  
 See parts listing for more information.

20451-3-94

**OIL LINES-INERTIA BRAKE**

Item	Current Part	Description	Replaced Part	Qty.	Notes	Kits/Assys Where Needed
9	22627	OIL RESTRICTOR		1		K-2642,K-2643,K-2644
10	4302077	ELBOW		1		
11	22427	HOSE ASSY		1	6 BOLT POSITION	K-2643
11	4302098	HOSE ASSY		1	8 BOLT POSITION	K-2644
11	4302099	HOSE ASSY		1	ROTATED 6 BOLT POSITION	K-2642
12	23486	CONNECTOR		1	STRAIGHT	K-2642,K-2643
13	11665	CLAMP		1	USE ON 6 BOLT AND ROTATED POSITION	

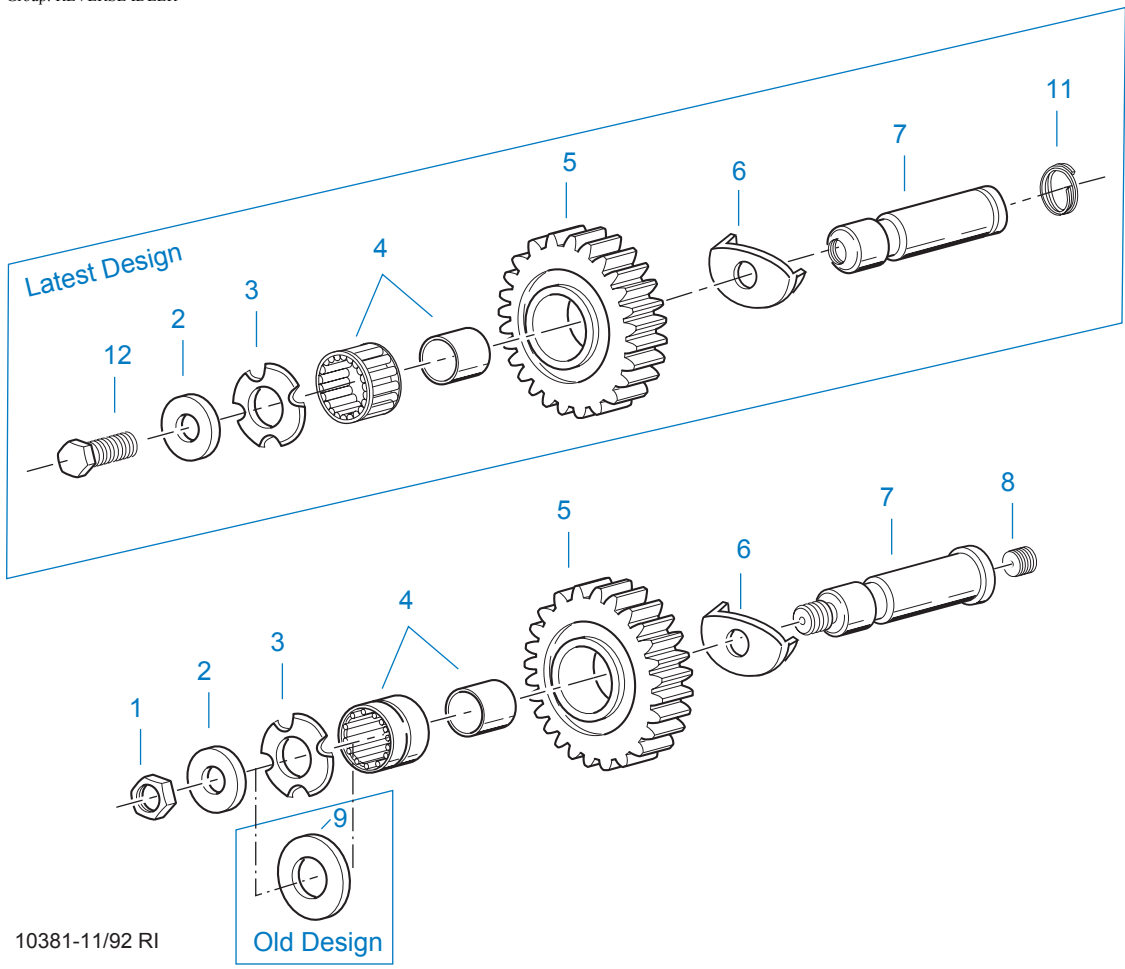


20538-3-94

### RANGE CYLINDER

Item	Current Part	Description	Replaced Part	Qty.	Notes	Kits/Assys Where Needed
1	X-8L-604	CAPSCREW		4	3/8"-16X1-1/4"	
2	19690	CYLINDER COVER		1		
3	14349	GASKET		1		K-1450,K-1603,K-2002,K-2831,K-2870
4	14344	-O- RING		1		K-1450,K-2002,K-2831
5	14341	PISTON	23353	1		
6	X-8L-604	CAPSCREW		4	3/8"-16X1-1/4"	
7	X-1-1010	NUT		1	5/8"-18	
8	14345	-O- RING		1		K-1450,K-2002,K-2831
9	4300183	YOKE BAR		1		
10	22542	BUSHING		1		A-5371
11	14765	-O- RING		1		K-1450,K-2002,K-2831
12	A-5371	RANGE CYLINDER ASSY	22543	1		K-2831
13	14347	GASKET		1		K-1603,K-2831,K-2870
14	X-8-825	CAPSCREW		2	1/2"-13X2-3/8"	
15	4301642	SHIFT YOKE	22888	1		



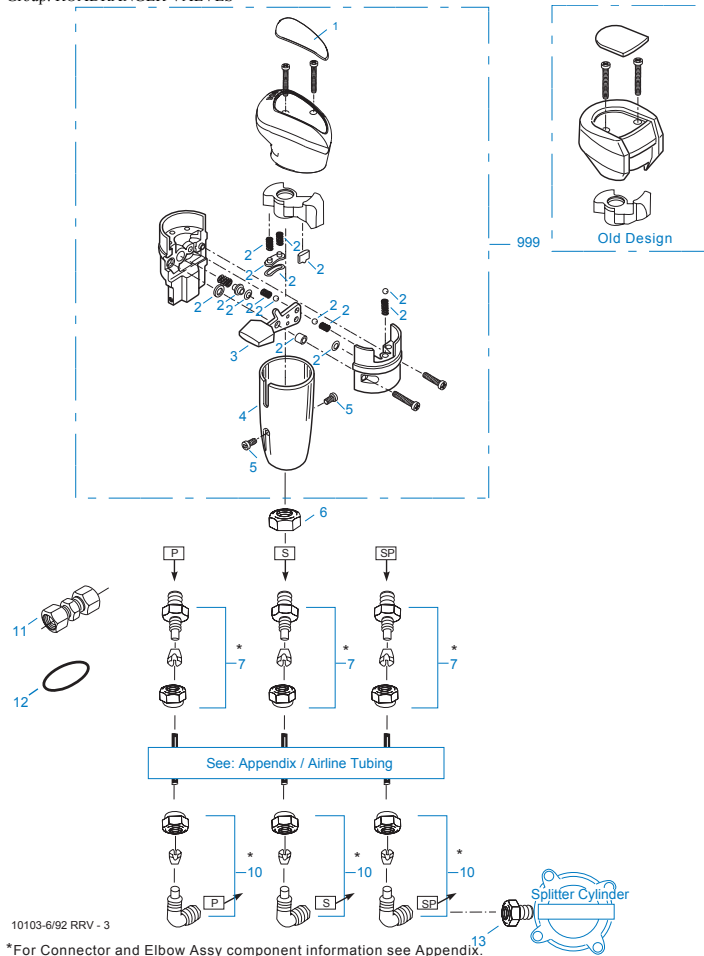


10381-11/92 RI

**REVERSE IDLER**

Item	Current Part	Description	Replaced Part	Qty.	Notes	Kits/Assys Where Needed
1	X-1-1008	NUT		2	5/8"-18	
2	14283	WASHER		2		K-3217
3	4302982	WASHER	14282	2		K-3209,K-3217,S-2278
4	14287	BEARING	4305020	2		K-2871,K-2872
5	16757	REVERSE IDLER GEAR	22409	2		
6	16403	WASHER		2		K-3217
7	K-3217	IDLER SHAFT REPL KIT	4302981	2		
8	5202	PLUG		2		
9	14282	NO LONGER AVAILABLE		2		
11	4303336	RETAINING RING		2		K-3209,K-3217
12	X-7-1008	CAPSCREW		2	5/8"-18X1-1/4	

Group: ROADRANGER VALVES

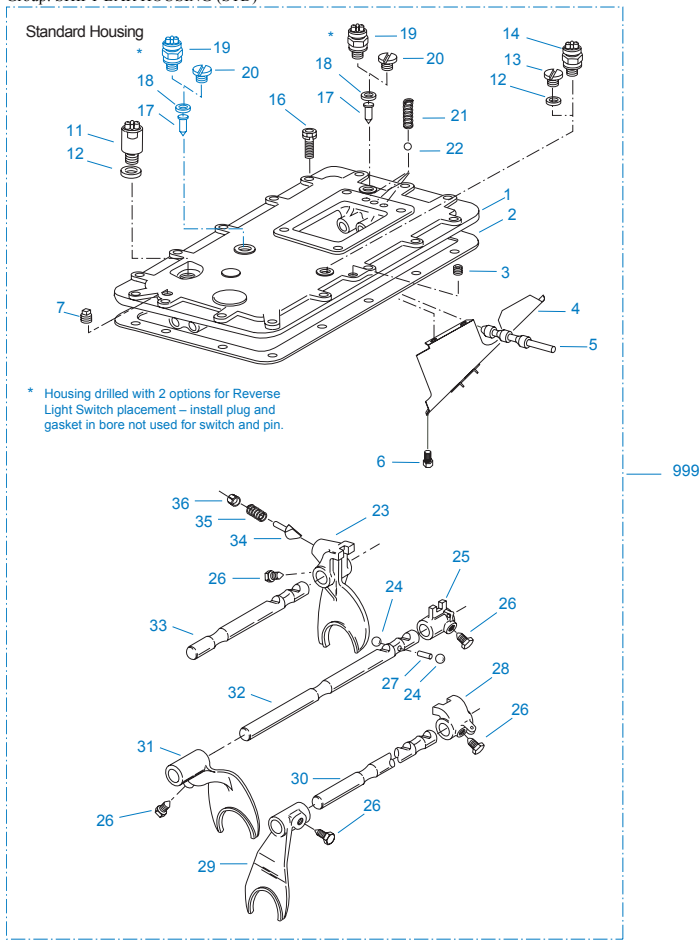


## ROADRANGER VALVES

Item	Current Part	Description	Replaced Part	Qty.	Notes	Kits/Assys Where Needed
1	20107	MEDALLION, LOGO		1	(OLD DESIGN) FULLER LOGO ONLY	
1	5586100	MEDALLION, LOGO		1	(LATEST DESIGN) FULLER LOGO ONLY	A-6918,A-7318
2	K-2072	MASTER VALVE REPAIR KIT		1	FOR A-5013 VALVE	
2	K-2073	MASTER VALVE REPAIR KIT		1	FOR A-5318 VALVE	
2	K-3191	MASTER VALVE REPAIR KIT		1	FOR A-6918 VALVE	
2	K-3196	MASTER VALVE REPAIR KIT		1	FOR A-7318 VALVE	
3	20495	LEVER		1		A-6918,A-7318
4	20112	COVER		1		A-6918,A-7318
5	X-8-213	SCREW	X 8 202	2	8-32X3/8"	
6	X-9-802	NUT		1	1/2"-13	
7	84001	CONNECTOR ASSY	82501	3	1/8" TUBE-1/16" NPTF	
7	84003	CONNECTOR ASSY	82503	3	5/32" TUBE-1/16" NPTF	K-2872
7	84005	CONNECTOR ASSY		3	"PUSH-TO-CONNECT" 5/32" TUBE-1/16" NPTF	
10	85001	ELBOW ASSY	84501	3	5/32" TUBE-1/8" NPTF	K-2872
10	85002	ELBOW ASSY	84502	3	1/8" TUBE-1/8" NPTF	
10	85003	ELBOW ASSY		3	"PUSH-TO-CONNECT" 5/32" TUBE-1/8" NPTF	
11	84101	UNION ASSY		1	1/8" TUBING	
11	84102	UNION ASSY		1	5/32" TUBING	
11	84103	UNION ASSY		1	"PUSH-TO-CONNECT" 5/32" TUBING	
12	13571	-O- RING CLAMP		2		
13	4301233	REDUCER BUSHING	18004	1		
999	A-6918	ROADRANGER VALVE	A - 5013	1	STANDARD-W/LOGO	

Item	Current Part	Description	Replaced Part	Qty.	Notes	Kits/Assys Where Needed
999	A-7318	ASSY ROADRANGER VALVE ASSY	A - 5318	1	(LEFT OF DRIVER)-W/LOGO	

Group: SHIFT BAR HOUSING (STD)

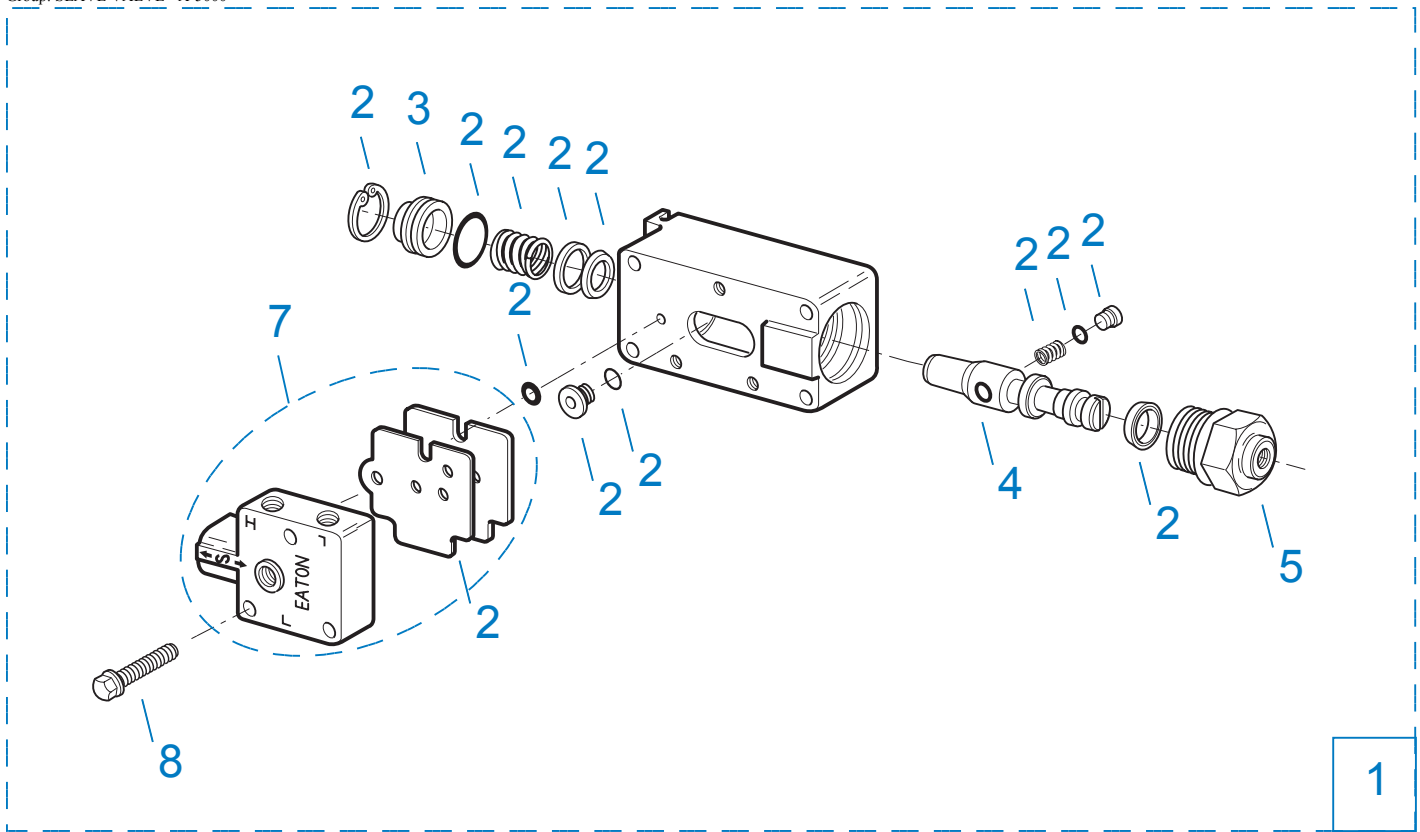


20234-3- 94 STD/CE-18spd

## SHIFT BAR HOUSING (STD)

Item	Current Part	Description	Replaced Part	Qty.	Notes	Kits/Assys Where Needed
1	S-2280	SHIFT BAR HSG	23738	1	HOUSING ONLY	
2	4302676	GASKET	14918	1		K-2870,S-2280
3	X-12-404	PIPE PLUG		1	1/4" NPT	
4	20070	OIL TROUGH		1		
5	20332	AIR VALVE SHAFT		1		
6	X-8-423	CAPSCREW		2	1/4"-20X1/2"	
7	X-12-603	PIPE PLUG	X12 602	1	3/8" NPT	
11	4302361	MAGNETIC SENSOR	23680	1		
12	17179	GASKET		2		S-2280
13	4303655	PLUG	17178	1		S-2280
14	22941	NEUTRAL LIGHT SWITCH		1	SWITCH NORMALLY CLOSED	
16	X-8L-604	CAPSCREW		16	3/8"-16X1-1/4"	
17	15899	PIN		1		S-2280
18	15900	GASKET		1		S-2280
19	22940	REVERSE LIGHT SWITCH		1	SWITCH NORMALLY OPEN	
20	4303656	PLUG	15917	1		S-2280
21	15918	SPRING		3		A-5732,K-2433,K-2872
22	X-14-800	STEEL BALL		3	1/2"	
23	16131	SHIFT YOKE		1	REVERSE/LO	S-1219
24	X-14-1200	STEEL BALL		2	3/4"	
25	14658	SHIFT BLOCK		1	1ST/2ND	
26	3220	LOCKSCREW		5		
27	1634	INTERLOCK PIN		1		K-2433
28	14659	SHIFT BLOCK		1	3RD/DIRECT	
29	16136	SHIFT YOKE		1	3RD/DIRECT	
30	16134	YOKE BAR		1	3RD/DIRECT	
31	16135	SHIFT YOKE		1	1ST/2ND	
32	16133	YOKE BAR		1	1ST/2ND	
33	16132	YOKE BAR		1	REVERSE/LO	
34	10019	PLUNGER		1		S-1219

Item	Current Part	Description	Replaced Part	Qty.	Notes	Kits/Assys Where Needed
35	6392	SPRING		1		S-1219
36	8968	PLUG		1		S-1219
999	S-2279	NO LONGER AVAILABLE	23738	1	COMPLETE	

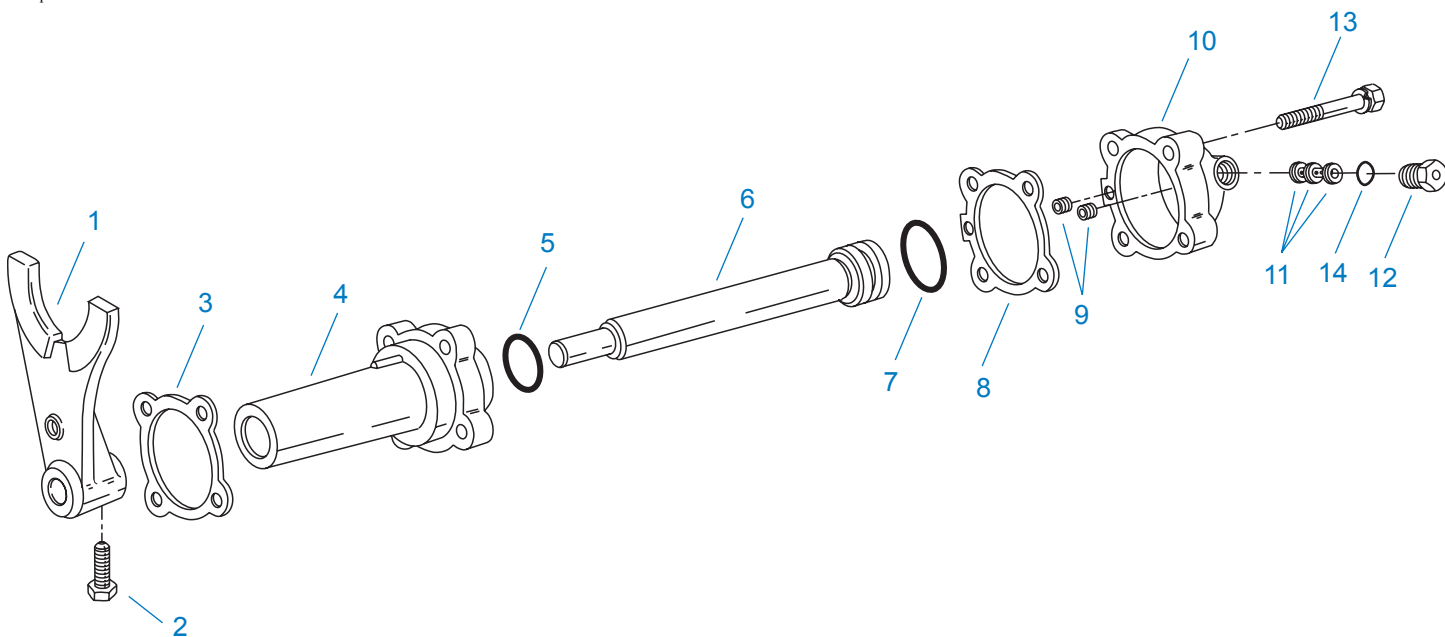


2 Repair Kit

10120-10-97 A-5000 SV

**SLAVE VALVE - A-5000**

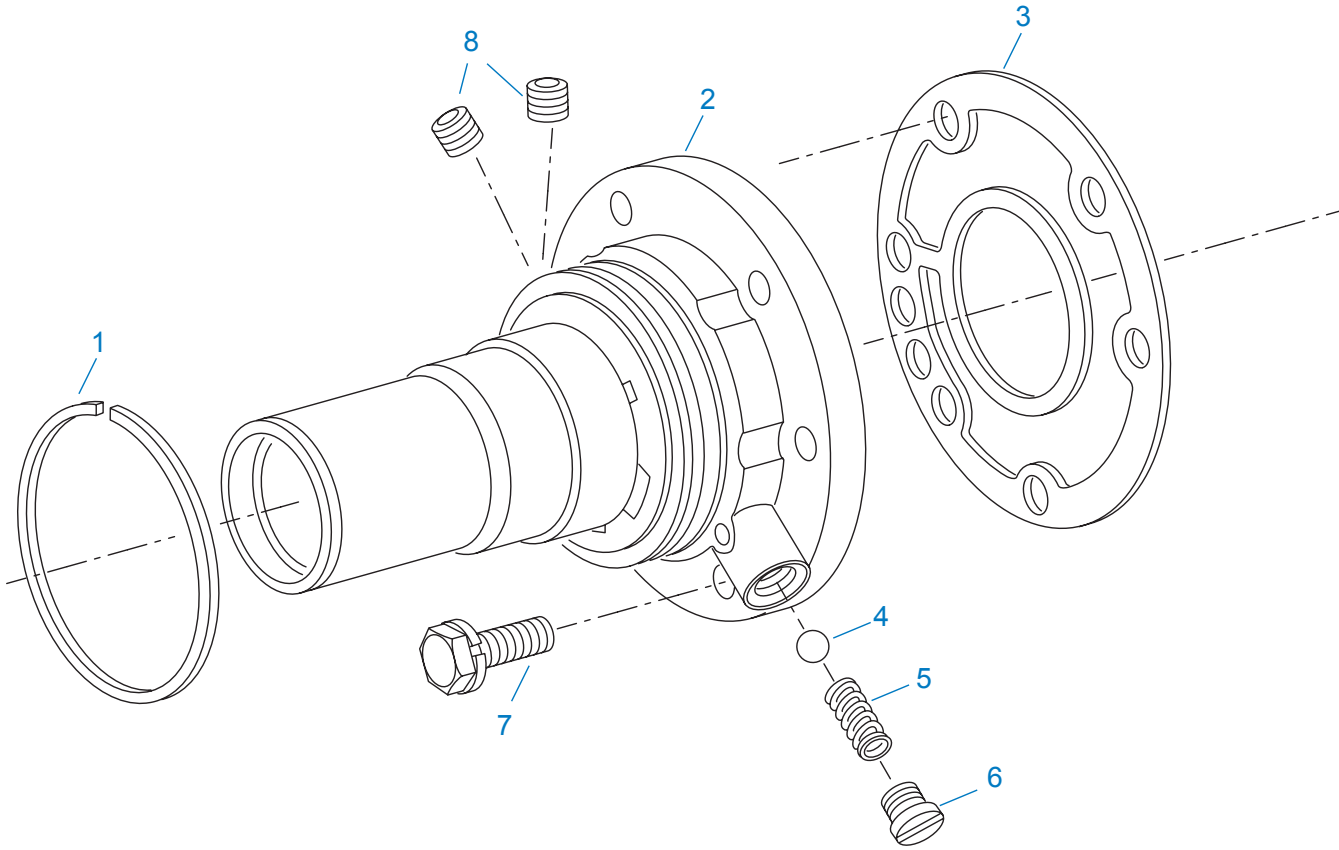
Item	Current Part	Description	Replaced Part	Qty.	Notes	Kits/Assys Where Needed
1	A-5000	SLAVE VALVE ASSY	20850	1		K-2424
2	K-1935	REPAIR KIT-SLAVE VALVE		1	FOR A-5000 VALVE	
3	20855	PLUG		1		A-5000
4	20854	PISTON		1		A-5000
5	20849	CAP	15131	1		A-5000
7	S-1516	CAP ASSY	20851 ,20853	1		
8	X-8C-413	CAPSCREW		3	1/4"-20X1-1/2"	



10465-4/92 Spl Cyl

### SPLITTER CYLINDER

Item	Current Part	Description	Replaced Part	Qty.	Notes	Kits/Assys Where Needed
1	21607	SHIFT YOKE		1		
2	3220	LOCKSCREW		1		
3	14632	GASKET		1		K-1603,K-2078,K-2870
4	21609	SPLITTER CYLINDER		1		
5	21208	-O- RING		1		K-2002,K-2078
6	4300182	YOKE BAR		1		
7	21209	-O- RING		1		K-2002,K-2078
8	17073	GASKET		1		K-1603,K-2002,K-2078,K-2870
9	X-12-101	PLUG		2	NOT SOLD FOR SERVICE	
10	21760	COVER		1		
11	19974	INSERT VALVE	15512 4303616	1		K-2871,K-2872
12	4301233	REDUCER BUSHING	18004	1		
13	X-8L-540	CAPSCREW		4	5/16"-18X1-7/8"	
14	5568504	-O- RING		1		



20421A-1-94

### STATOR SUPPORT ASSY

Item	Current Part	Description	Replaced Part	Qty.	Notes	Kits/Assys Where Needed
1	22496	SEAL RING		1		K-2399,K-2504
2	S-1653	STATOR SUPPORT ASSY	22489	1		K-2868
3	22448	GASKET		1		K-2504,K-2626,K-2869,K-2870,S-1653
4	X-14-700	STEEL BALL		1	7/16"	
5	22464	SPRING		1		S-1653
6	23616	PLUG		1		S-1653
7	X-8L-616	CAPSCREW	X 8 616	6	3/8"-16X2-3/4"	
8	X-12-208	PIPE PLUG		2	1/8" NPT	