



## **Eaton Fuller RTLOC-16909A-T2 Transmission Parts Manual**

This is Eaton Fuller RTLOC-16909A-T2 Transmission parts manual brought to you by Pro Gear and Transmission to assist you identifying the parts for your Eaton / Fuller transmission unit.

If you need any assistance identifying the correct Eaton / Fuller unit for your truck and equipment, contact your Eaton replacement parts specialists at Pro Gear and Transmission.

Pro Gear stocks every part for your Eaton transmission including: Valve Assemblies, Synchronizers, Yoke Assemblies, O-Ring Kits, Drive Gears, Gaskets, Bearing and Seal Kits, and much more.

Pro Gear and Transmission has same day shipping and thousands of products in stock and ready to ship internationally for your next project.

For parts or service contact the Eaton transmission specialists at Pro Gear & Transmission, Inc.

 CALL US

 EMAIL US

 VISIT MODEL PAGE

 VISIT ONLINE STORE



**Roadranger®**

More time on the road®

# Illustrated Parts List

---

**RTLOC-16909A-T2**  
**July 2011**

## Contents

How To Use The Illustrated Parts List .....	3
AUXILIARY DRIVE GEAR.....	4
CASE (AUX) .....	5
CASE (FRONT) FORCED LUBE.....	7
COUNTERSHAFT & BRGS(AUX).....	9
COUNTERSHAFT ASSY.....	10
FILTER REGULATOR.....	11
HOSES & CONN. - 13 SPD .....	12
HOSES & CONN. - 9 SPD .....	13
INPUT SHAFT & DRIVE GEAR.....	14
ISOLATORS .....	15
KITS & ASSEMBLIES .....	16
LEVERS/HOUSINGS .....	18
MAINSHAFT & SYNCHRO(AUX).....	20
MAINSHAFT ASSY.....	21
MISCELLANEOUS .....	22
OIL COOLER.....	23
OIL PUMP (FORCED LUBE) .....	24
RANGE CYLINDER.....	26
REVERSE IDLER.....	27
ROADRANGER VALVE- 13 SPD.....	29
ROADRANGER VALVE- 9 SPD.....	31
SHIFT BAR HOUSING .....	32
SLAVE VALVE - A-5000.....	34
SPLITTER CYLINDER .....	35
T-2 VALVE (9 SPEED ONLY).....	36

## How To Use The Illustrated Parts List

The information contained in this document is subject to frequent updates. Therefore, for the latest information available, please visit the interactive Electronic Parts Catalog at [www.roadranger.com/epc](http://www.roadranger.com/epc).

### Model Designation or Nomenclature

- For information regarding Model Designation and Nomenclature, visit [www.roadranger.com](http://www.roadranger.com).

### Kits and Assemblies (K/A's)

- Kits and Assemblies contain groups of individual or assembled parts developed for optimal replacement or repair of a service problem.
- Kits and Assemblies are shown with applicable parts groupings in the parts listings.

### Identifying Kits and Assemblies

A- Part numbers beginning with the letter 'A' are pre-assembled Production Assemblies

K- Part numbers beginning with the letter 'K' are kits that are not assembled

S- Part numbers beginning with the letter 'S' are pre-assembled Service Assemblies

- Note: Some Production Assemblies do not begin with a letter prefix (Midrange only).

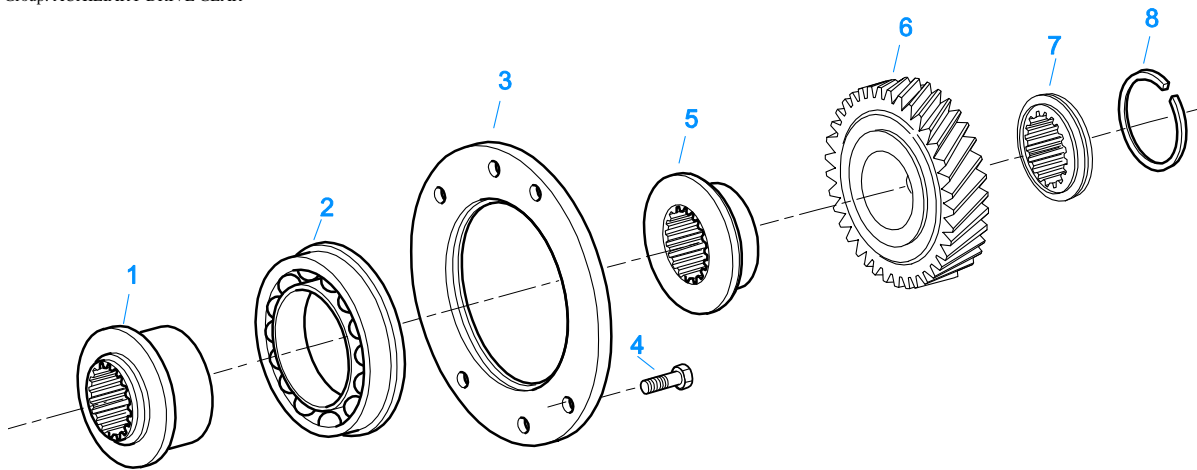
### Illustrations

- Illustrations show parts in assembly groups.
- Item numbers on illustrations correspond with parts listings on pages adjacent to the illustration.
- Notes are included on illustrations where additional information is needed.

### Parts Listing

Parts listings are defined by parts groupings and are broken down by service assemblies. Parts listings identify a part for servicing with the following categories

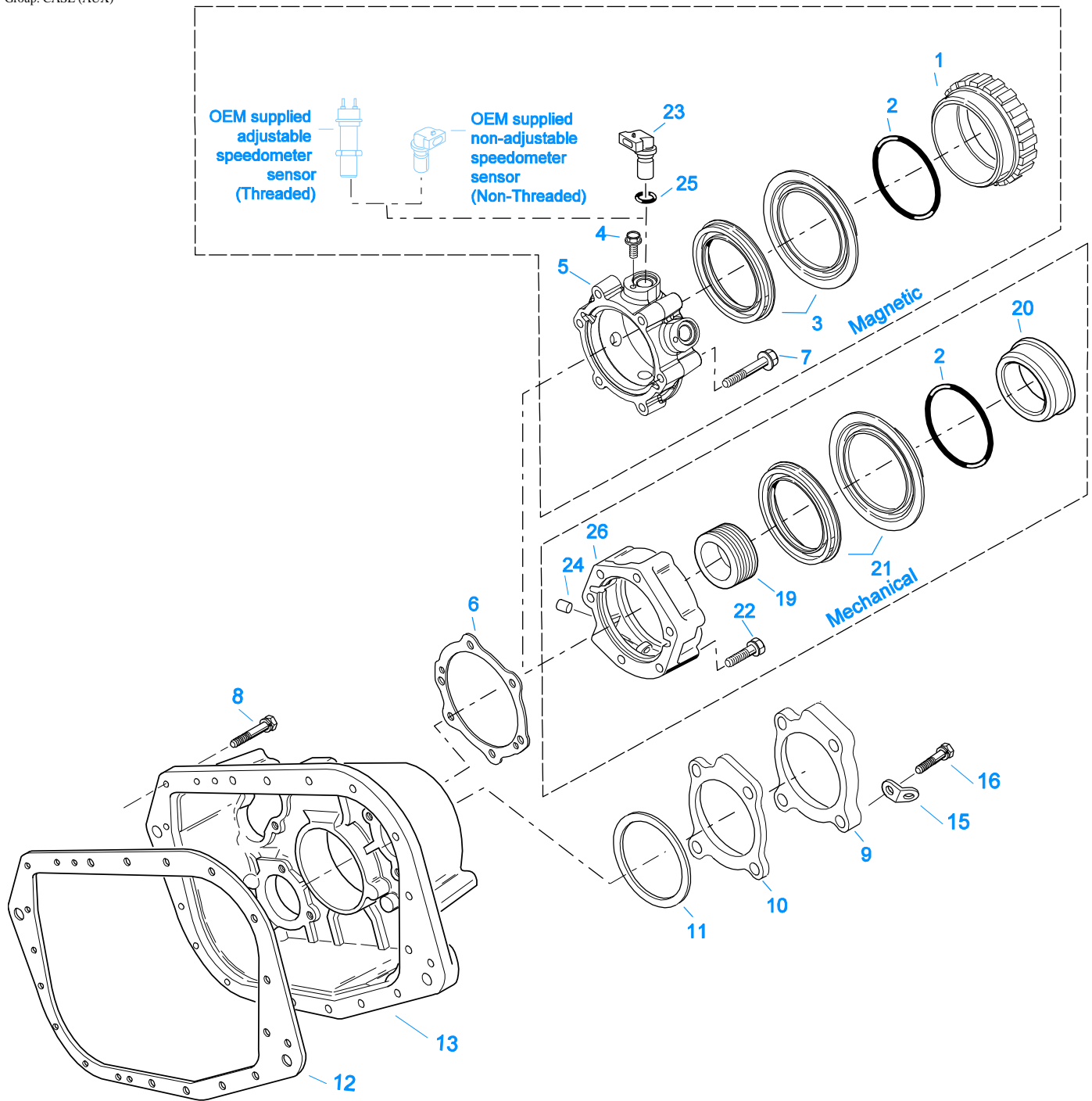
- **Item Number** - corresponding with numbers on illustrations for part identification.
- **Current Part** - identifies part as it is available for service.
- **Description** - specifies part name or description.
- **Replaced Part** - quantity quantity required for assembly.
- **Quantity** - defines unique characteristics or requirements.
- **Notes** - indicates Kits or Assemblies that contain a particular part.
- **Kits/Assy's Where Used**



10484A-5-10

## AUXILIARY DRIVE GEAR

Item	Current Part	Description	Replaced Part	Qty.	Notes	Kits/Assys Where Needed
1	4303673	SPACER	4302046	1		
2	5566508- BOX	BEARING	5566503,5566508	1		K-3597,K-3598
3	4300894	RETAINER		1		
4	X-8-645	CAPSCREW	X 8 612	6	3/8"-16X1"	
5	4300911	SPACER		1		K-2808
6	K-2808	REPL KIT-DRIVE GEAR	4300932 ,4300938	1		
7	4303185	WASHER	4300901	1		K-2808
8	4301254	SNAP RING		1		K-2808,K-3327,K-3597,K-3598

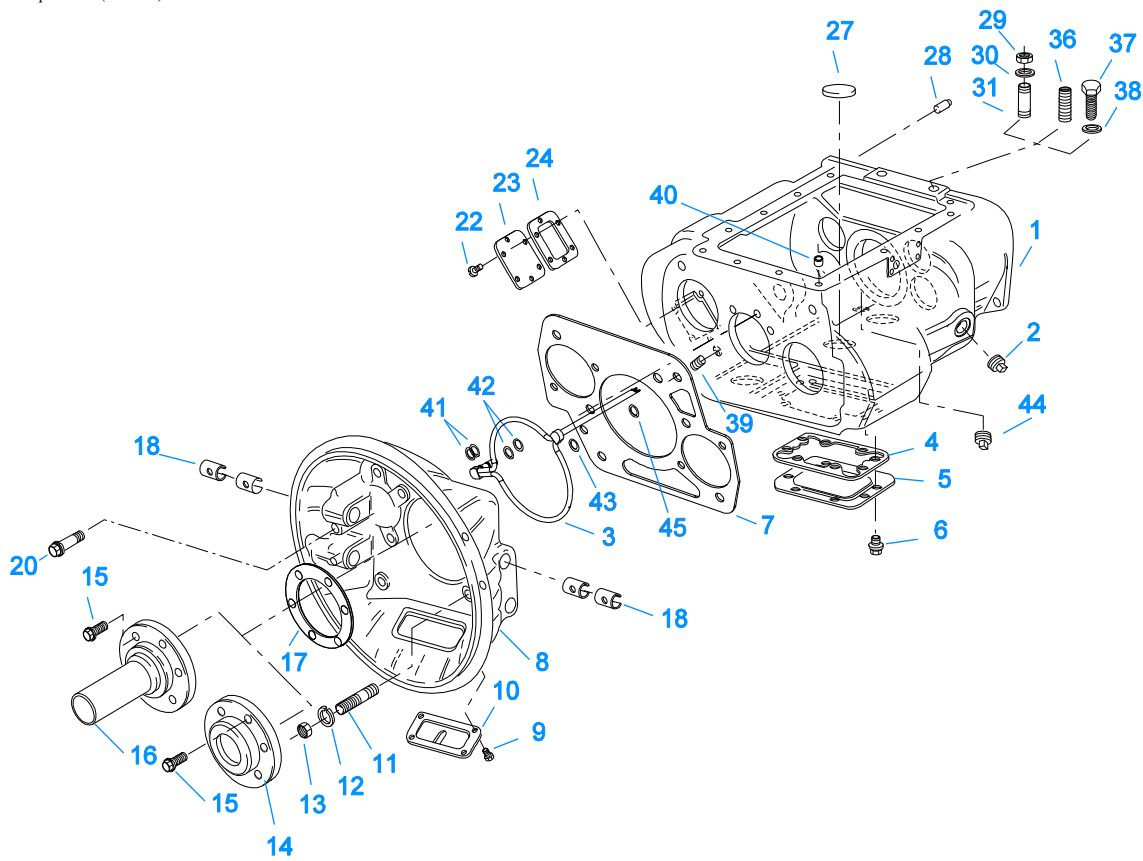


10419A-5-00

**CASE (AUX)**

Item	Current Part	Description	Replaced Part	Qty.	Notes	Kits/Assys Where Needed
1	S-2501	SPEEDO ROTOR ASSY	4302242	1	MAGNETIC	
2	5568511	-O- RING		1		K-2918,S-2501,S-2503,S-2809,S-2980
3	K-2918	OIL SEAL KIT	4302322 4302323	1	"FOR MAGNETIC COVER"	K-3597,K-3598
4	X-8-0801M	CAPSCREW		2	M8 X 1.25 X 12MM	
5	S-2809	REAR BEARING COVER ASSY	4302332 ,4303872 ,4304652 ,4305830	1	PUSH-IN/THREAD-IN MAGNETIC PICK-UP	
6	1009551	GASKET - RED EDGE MOLDED		1	RED EDGE MOLDED GASKET - UNCOMPRESSED THICKNESS .043 -	K-2262,K-2918,K-3458,S-2502,S-2809,S-

Item	Current Part	Description	Replaced Part	Qty.	Notes	Kits/Assys Where Needed
					.051 - NOT INTERCHANGEABLE WITH ANY OTHER GASKET	2859
6	4302247	GASKET - PURPLE EDGE MOLDED		1	NON EDGE MOLDED GASKET - UNCOMPRESSED THICKNESS - .013 - .018 - NOT INTERCHANGABLE WITH ANY OTHER GASKET	K-2262,K-2918,K-3458
7	X-8L-611	CAPSCREW		4	3/8"-16X3-1/4"	
7	X-8L-614	CAPSCREW		2	3/8"-16X2"	
7	X-8L-614	CAPSCREW		6	3/8"-16X2" USE W/4302332 RBC	
8	X-8L-602	CAPSCREW		17	3/8"-16X1-1/2"	
8	X-8L-614	CAPSCREW		2	3/8"-16X2"	
9	4302320	COVER	21346	2		S-2980
10	4305978	GASKET	4302246	2		K-3458,S-2980
11	K-2805	SHIM KIT	21452 K - 2106	1		K-3597,K-3598,S-2980
12	14335	GASKET		1		K-3458,S-2980
13	4303641	REAR HOUSING		1		
15	20815	LIFTING EYE	17105	2		S-2980
16	X-8L-604	CAPSCREW		8	3/8"-16X1-1/4"	
19	86104	SPEEDO DRIVE GEAR		1		
20	S-2503	SPEEDO SPACER ASSY	4302590	1	MECHANICAL	
21	K-2262	OIL SEAL W/SLINGER	19109 ,20807 ,20808	1	"FOR MECHANICAL COVER"	
22	X-8L-616	CAPSCREW	X 8 616	6	3/8"-16X2-3/4"	
23	K-3454	SPEED SENSOR KIT	A - 6398 ,A - 6724	1	SINGLE PICK-UP (2 PIN)	
23	K-3455	SPEED SENSOR KIT, DUAL	A - 7046 ,A - 7518	1	DUAL PICK-UP (4 PIN)	
24	7992	BUSHING		1		S-2502,S-2859
25	14142	-O- RING		1		
26	S-2502	REAR BRG COVER ASSY	4303604 ,4305827	1	MECHANICAL - 4:00 OPENING	
26	S-2859	REAR BRG COVER ASSY	4302732 ,4305826	1	MECHANICAL - 6:00 OPENING	



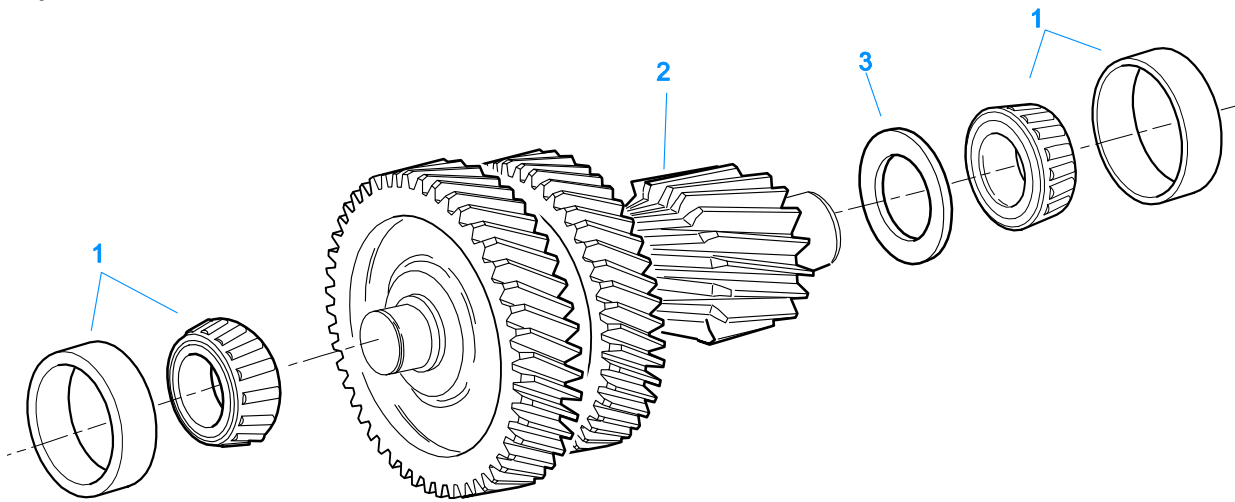
10319B-08-02 Alum Hsg

## CASE (FRONT) FORCED LUBE

Item	Current Part	Description	Replaced Part	Qty.	Notes	Kits/Assys Where Needed
1	S-3000	CASE ASSEMBLY	4305389 ,4305809 ,S - 2912	1		
2	4304023	PLUG	4303747	1	1-1/16" MAGNETIC, O-RING INCLUDED	
3	A-7194	LUBE TUBE ASSY	4304921 ,A - 7141	1	CAN BE USED W/4305389 OR 4305105 CASE	
3	A-7471	EXTENDED LUBE TUBE ASSY	4305393	1	CAN ONLY BE USED W/4305389 CASE	
4	4305310	GASKET	4302810	1		K-3458
5	4302809	PTO COVER	16596 ,4300571	1		
6	X-8-725	CAPSCREW	X 8 724	8	7/16"-14X7/8"	
7	4306584	CLUTCH HOUSING GASKET	4304815,4305668	1		K-3458,K-3671,K-3672,K-3673,K-3676
8	K-3671	FORCED LUBE CL HSG KIT	A - 7148	1	#1 PULL IRON	
8	K-3672	FORCED LUBE CL HSG KIT	A - 7149 ,A - 7150	1	#1 PULL IRON - NODAL MOUNT - UPPER/LOWER	
8	K-3673	FORCED LUBE CL HSG KIT	A - 7146	1	#1 PULL ALUMINUM - NODAL MOUNT	
8	K-3676	FORCED LUBE CL HSG KIT	A - 7145	1	#1 PULL ALUMINUM	
9	239614	SCREW	X-8L-509	4	5/16-18X.81 QUANTITY DEPENDENT ON DESIGN	
10	4305230	HAND HOLE COVER	11453	1	#1 PULL	
10	4305231	HAND HOLE COVER	1565	1	#1 PUSH	
11	4306583	STUD	5966	6		
12	X-10-1005	WASHER	X 3 1000 ,X10 1000 ,X10 1004	6	1.23 X 6.60	
13	X-1-1012	HEX NUT	X-1-1005	6	.625-18	
14	20550	FRONT BEARING COVER		1	2" PULL	K-2468,K-4125
15	X-8L-604	CAPSCREW		6	3/8"-16X1-1/4"	
16	20549	FRONT BEARING COVER		1	2" PUSH	



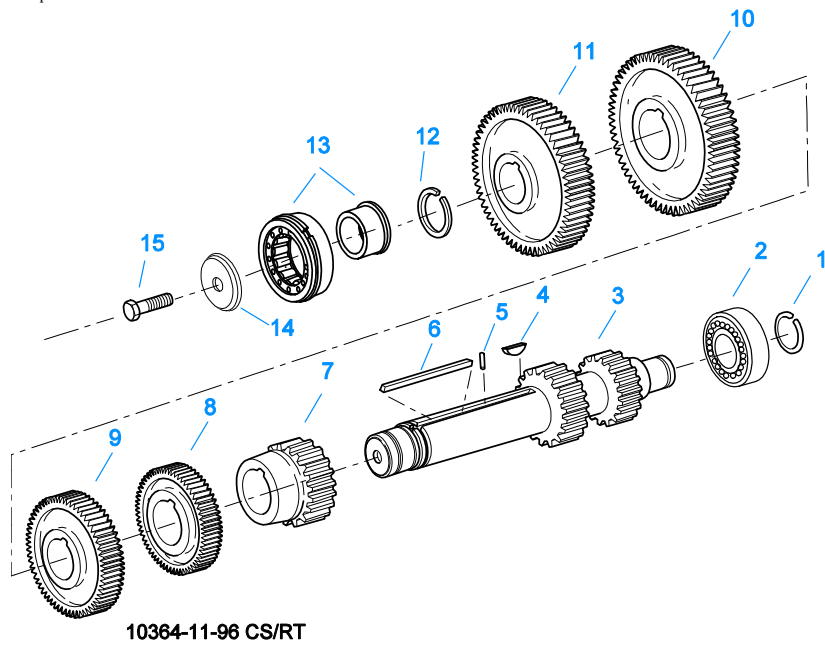
Item	Current Part	Description	Replaced Part	Qty.	Notes	Kits/Assys Where Needed
17	14311	GASKET		1		K-3458
18	12815	BUSHING		4		K-2468
20	X-8C-830	HEX HEAD SCREW/WASHER ASSY	X-8C-826	4	.500-13 X 1.490, USE 2 PCS FOR IRON HOUSING, USE 4 PCS FOR ALUMINUM HOUSING	
20	X-8C-831	HEX HEAD SCREW/WASHER ASSY	X-8C-822	2	.500-13 X 3.460, FOR IRON HOUSING	
22	X-8-686	CAPSCREW		6	3/8"-16X3/4"	
23	14575	PTO COVER	4302254	1		
24	4305309	GASKET	1684	1		K-3458
27	14373	MAGNET		3		S-3000
28	18128	PIN		2		
29	X-1-1012	HEX NUT		2	.625-18	
30	X-10-1005	WASHER	X 3 1000 ,X10 1000 ,X10 1004	2	1.23 X 6.60	
31	14554	STUD	1632 ,6579	2	5/8" X 2-3/16"	
36	23104	PLUG	1712	2		
37	X-8-1005	CAPSCREW		2	5/8"-11X1-1/4"	
38	20814	SPACER		2		
39	X-12-802	PIPE PLUG	X12 800	1	1/2"	
40	4302680	BUSHING		1		
41	13835	-O- RING		2		K-3341
42	13653	-O- RING		2		K-3331,K-3341
43	5568544	-O- RING		1		K-3341
44	4304023	PLUG	4303747	1	1-1/16" MAGNETIC, O-RING INCLUDED	
45	13834	-O- RING		1		K-3341



10444-5/93 CS Helical

**COUNTERSHAFT & BRGS(AUX)**

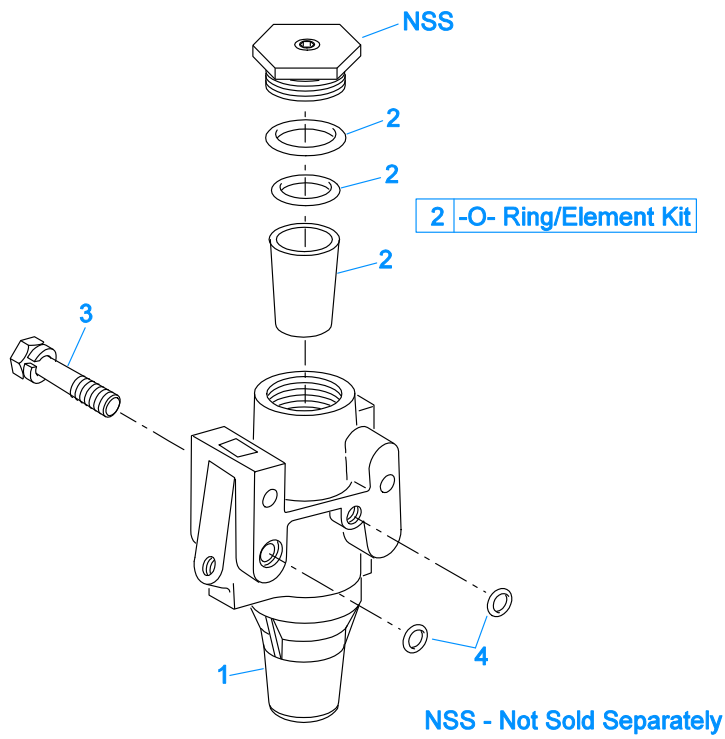
Item	Current Part	Description	Replaced Part	Qty.	Notes	Kits/Assys Where Needed
1	4302074-BOX	BEARING	21343,4302074	4		K-3597,K-3598
2	A-6756	WELDED COUNTERSHAFT ASSY	A - 5942	2	C/S 4303648 - D/G 4300935 S/G 4300936	
3	21342	SPACER		2		



## COUNTERSHAFT ASSY

Item	Current Part	Description	Replaced Part	Qty.	Notes	Kits/Assys Where Needed
1	4302082	SNAP RING		2		K-3327,K-3597,K-3598
2	4302712	BEARING		2		K-3597,K-3598
3	4304073	CNTRSHFT-W/REV & LO		2		
4	X-6-E	KEY		2		
5	62511	ROLL PIN		2		
6	4304840	KEY	19673	2		
7	21025	1ST GEAR-CNTRSHFT	19629 ,4300241	2		
8	21264	2ND GEAR-CNTRSHFT	19623	2		
9	4303666	OD GEAR - CNTRSHFT	4304508 ,4304315	2		
10	15953	PTO GEAR - LOWER		1		
10	20840	PTO GEAR - UPPER	15952	1		
11	4304060	DRIVE GEAR-CNTRSHFT		2		
12	19198	SNAP RING		2		K-3327
13	4304599	BEARING	4302677 4304598	2		K-3597,K-3598
14	4304605	RETAINER	19548	2		
15	X-7-1005	CAPSCREW		2	5/8"-18X1-3/4"	

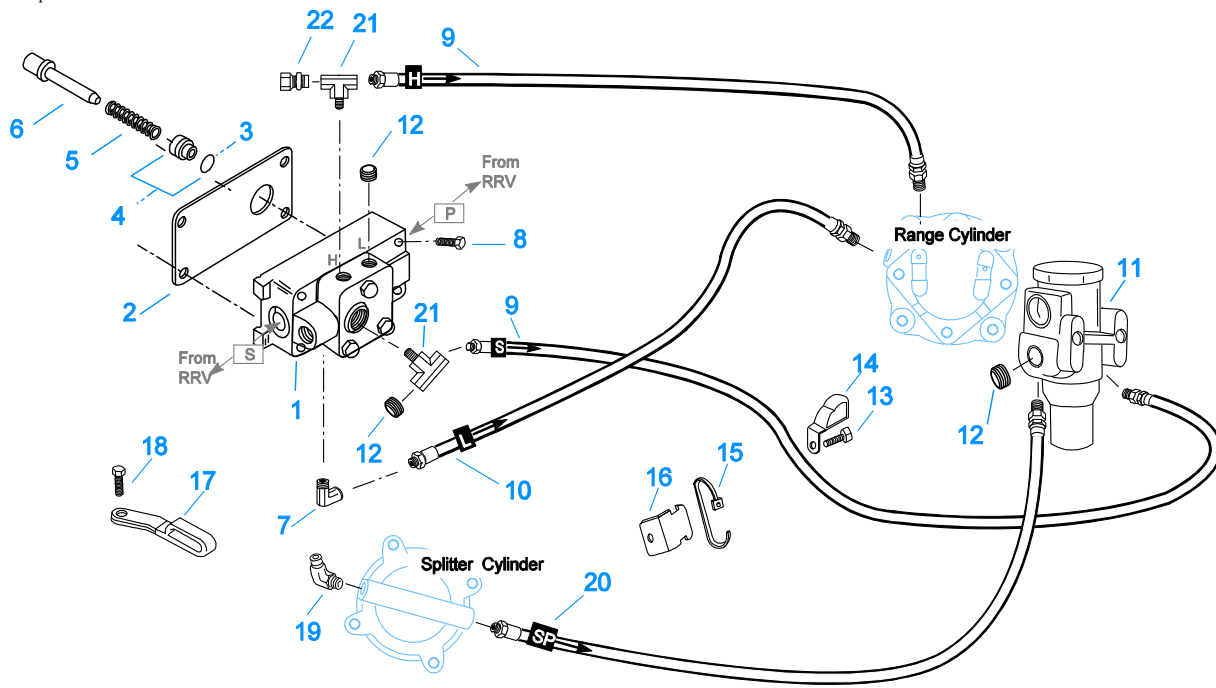
Group: FILTER REGULATOR



10130A-07-02

## FILTER REGULATOR

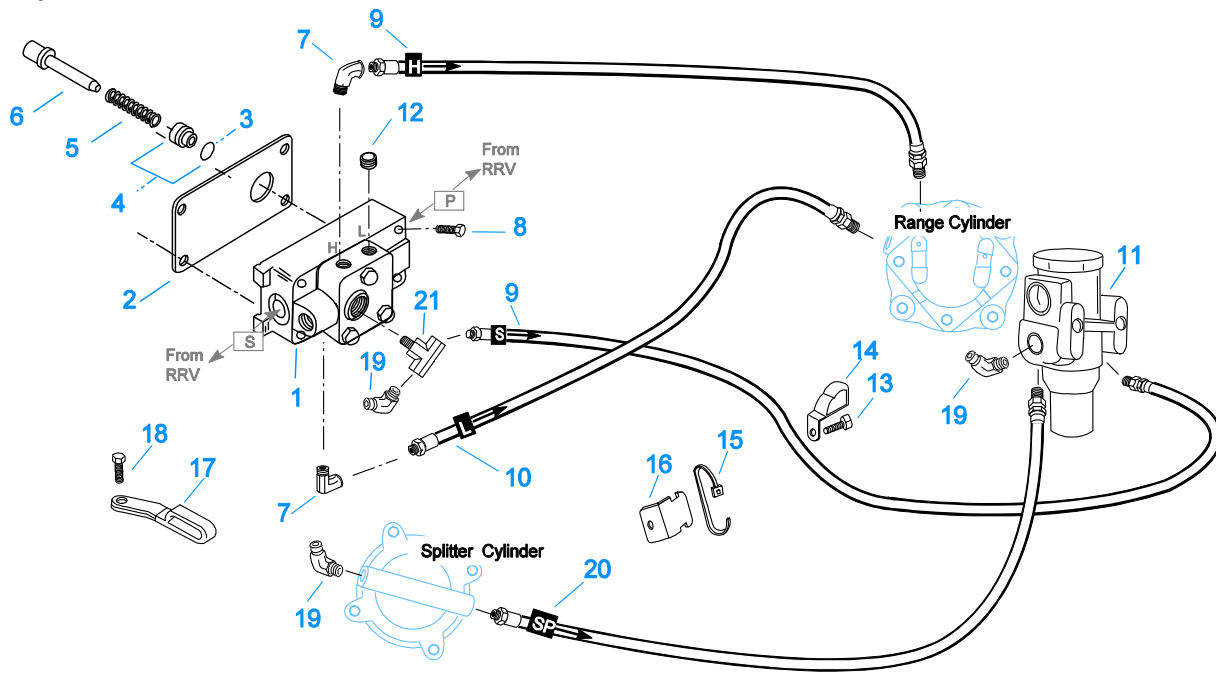
Item	Current Part	Description	Replaced Part	Qty.	Notes	Kits/Assys Where Needed
1	A-4740	FILTER/REGULATOR	19600	1		
2	K-1698	-O- RING/ELEMENT KIT		1	FOR FILTER REGULATOR	
3	X-8C-412	CAPSCREW	X 8S 412	2	1/4"-20X2-1/4"	
4	15114	-O- RING		2		A-5000,K-1935,K-3341



10110Y2-08-02 A-5000

### HOSES & CONN. - 13 SPD

Item	Current Part	Description	Replaced Part	Qty.	Notes	Kits/Assys Where Needed
1	A-5000	SLAVE VALVE ASSY	20850	1		
2	19481	GASKET		1		K-3458
3	19462	-O- RING	14033	1		K-1969
4	K-1969	SLEEVE KIT	14362 ,19460 ,21446	1	FOR SLAVE VALVES	
5	21268	SPRING	19572	1		
6	20490	PIN	19459	1		
7	12845	ELBOW		1	1/8"	
8	X-8C-411	CAPSCREW		4	1/4"-20X1-3/4"	
9	55528	HOSE ASSY		2	36"	
10	55509	HOSE ASSY		1	34"	
11	A-4740	FILTER/REGULATOR	19600	1		
12	X-12-208	PIPE PLUG		3	1/8" NPT	
13	X-8L-604	CAPSCREW		1	3/8"-16X1-1/4"	
14	21427	HOSE CLAMP		1		
15	21425	STRAP		1		
16	21426	BRACKET		1		
17	21428	HOSE CLAMP		1		
18	X-8L-604	CAPSCREW		1	3/8"-16X1-1/4"	
19	85003	ELBOW ASSY		1	"PUSH-TO-CONNECT" 5/32" TUBE-1/8" NPTF	K-3198, K-3331, K-3597
20	55527	HOSE ASSY		1	15"	
21	21086	BRANCH TEE		2	1/8"	K-3538
22	84006	CONNECTOR ASSY		1	"PUSH-TO-CONNECT" 5/32" TUBE-1/8" NPTF	K-3198, K-3538



10110Y1-08-02 A-5000

### HOSES & CONN. - 9 SPD

Item	Current Part	Description	Replaced Part	Qty.	Notes	Kits/Assys Where Needed
1	A-5000	SLAVE VALVE ASSY	20850	1		
2	19481	GASKET		1		K-3458
3	19462	-O- RING	14033	1		K-1969
4	K-1969	SLEEVE KIT	14362 ,19460 ,21446	1	FOR SLAVE VALVES	
5	21268	SPRING	19572	1		
6	20490	PIN	19459	1		
7	12845	ELBOW		2	1/8"	
8	X-8C-411	CAPSCREW		4	1/4"-20X1-3/4"	
9	55528	HOSE ASSY		2	36"	
10	55509	HOSE ASSY		1	34"	
11	A-4740	FILTER/REGULATOR	19600	1		
12	X-12-208	PIPE PLUG		1	1/8" NPT	
13	X-8L-604	CAPSCREW		1	3/8"-16X1-1/4"	
14	21427	HOSE CLAMP		1		
15	21425	STRAP		1		
16	21426	BRACKET		1		
17	21428	HOSE CLAMP		1		
18	X-8L-604	CAPSCREW		1	3/8"-16X1-1/4"	
19	85003	ELBOW ASSY		3	"PUSH-TO-CONNECT" 5/32" TUBE-1/8" NPTF	K-3198, K-3331, K-3597
20	55527	HOSE ASSY		1	15"	
21	21086	BRANCH TEE		1	1/8"	K-3538



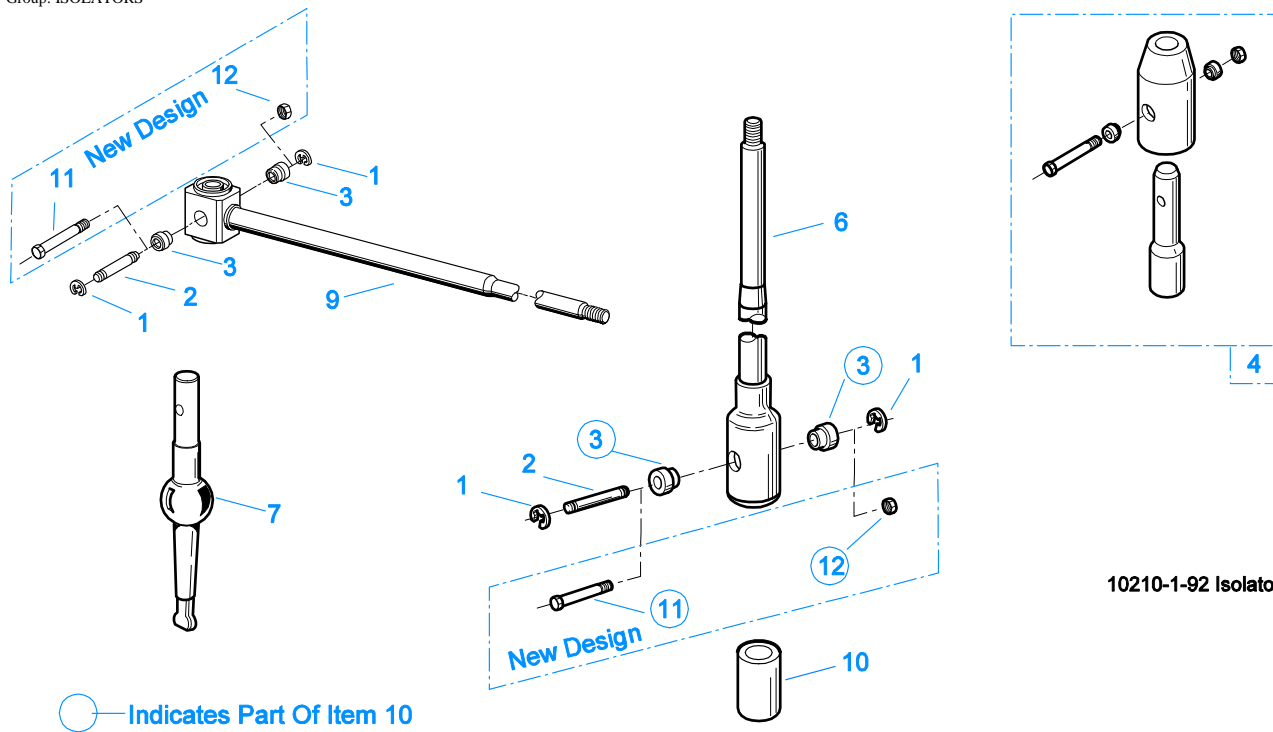
\* For Shipping Only -- Do Not Replace

\*

10370-1/92 IS

### INPUT SHAFT & DRIVE GEAR

Item	Current Part	Description	Replaced Part	Qty.	Notes	Kits/Assys Where Needed
1	23559	SHIPPING SEAL		1	NOT SOLD FOR SERVICE	
2	16980	SNAP RING		1		K-2468,K-3327,K-3597,K-3598,K-4125
3	81504	BEARING		1		K-2468,K-3597,K-3598,K-4125
4	16463	SPACER		1		
5	14750	SNAP RING		1		K-2468,K-3327,K-3597,K-3598,K-4125
6	4304510	MAIN DRIVE GEAR	4303695 ,4304314	1		
8	S-1659	INPUT SHAFT	20535 23566 ,4302661	1	2" PULL - USE W/FBC 20550	K-2468,K-3597,K-4125
8	S-1660	INPUT SHAFT	20536 ,23567	1	2" PUSH - USE W/FBC 20549	
9	16566	BUSHING		1		K-3598,S-1659,S-1660



10210-1-92 Isolator

**ISOLATORS**

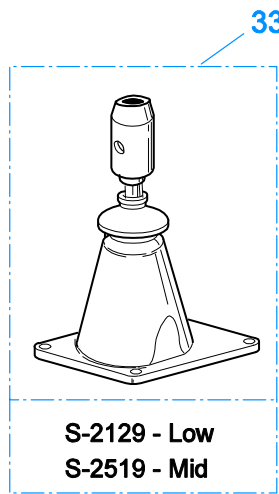
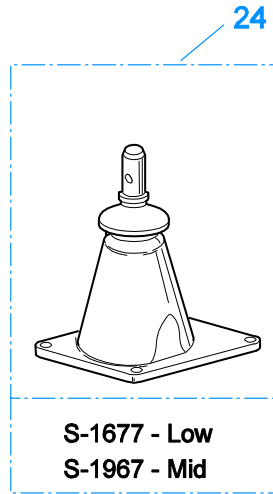
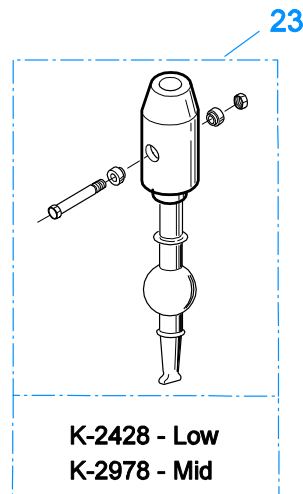
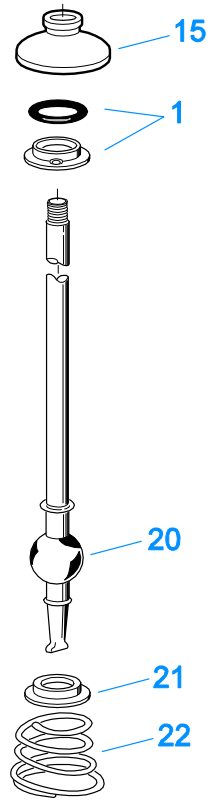
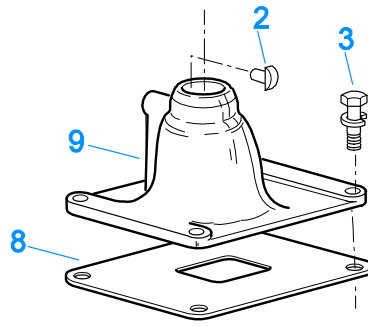
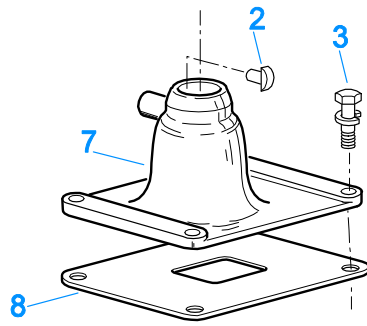
Item	Current Part	Description	Replaced Part	Qty.	Notes	Kits/Assys Where Needed
1	19124	-E- RING		2		
2	K-3467	PIN REPLACEMENT KIT	21245	1		
3	21246	BUSHING		2		K-2003,K-2428,K-2429,K-2978,K-3399,S-2129,S-2130,S-2519
4	S-1794	ISOLATOR ASSY		1		
6	21247	LEVER		1	STRAIGHT 18.67"	
7	21235	STUB LEVER		1	LOW TOWER	K-2428,S-1677
7	4301168	STUB LEVER		1	MID TOWER	K-2978
9	21767	90 DEG LEVER		1	STRAIGHT 33"	
10	K-3399	ISOLATOR BUSHING KIT	21244 ,23311	1		
11	X-8-560	SCREW		1		
12	X-9-503	NUT		1		



## KITS & ASSEMBLIES

Item	Current Part	Description	Replaced Part	Qty.	Notes	Kits/Assys Where Needed
K-1476		SHIFT LEVER HSG	4530 ,17163 ,18298 ,4304905 ,A - 4437	1	LOW TOWER	
K-1698		-O- RING/ELEMENT KIT		1	FOR FILTER REGULATOR	
K-1921		MASTER VALVE REPAIR KIT		1	FOR A-6909 & A-5010 VALVES	
K-1935		REPAIR KIT-SLAVE VALVE		1	FOR A-5000 VALVE	
K-1956		COOLER INSTLN KIT		1		
K-1969		SLEEVE KIT	14362 ,19460 ,21446	1	FOR SLAVE VALVES	
K-2003		PIN & BUSHING KIT		1		
K-2262		OIL SEAL W/SLINGER	19109 ,20807 ,20808	1	"FOR MECHANICAL COVER"	
K-2394		AIR SYSTEMS TOOL KIT		1		
K-2402		COVER & SCREW KIT	20513 ,4300751	1		
K-2428		LEVER REPLACEMENT KIT		1	LOW TOWER	
K-2429		LEVER REPLACEMENT KIT		1	HIGH TOWER	
K-2468		CLUTCH INSTALLATION KIT		1	FOR USE WITH S-1659 INPUT SHAFT ASSY AND 81504 INPUT SHAFT BEARING	
K-2805		SHIM KIT	21452 K - 2106	1		K-3597,K-3598,S-2980
K-2808		REPL KIT-DRIVE GEAR	4300932 ,4300938	1		
K-2918		OIL SEAL KIT	4302322 4302323	1	"FOR MAGNETIC COVER"	K-3597,K-3598
K-2973		SHIFT LEVER HSG KIT	17166 ,17167 ,4303050 ,4304910 ,K - 1630 K - 1941	1	HIGH TOWER	
K-2977		SHIFT LEVER HSG KIT	4301167 ,4304907 ,A - 6040	1	MID TOWER	
K-2978		LEVER REPLACEMENT KIT		1	MID TOWER	
K-3104		ACTUATOR PIN KIT	4303287	1		
K-3193		MASTER VALVE REPAIR KIT		1	FOR A-6913 VALVE	
K-3198		T-2 VALVE KIT	691300 ,691359	1		
K-3327		SMALL PARTS KIT		1		
K-3331		SPLITTER VLV REPL KIT	4300927 ,4304031 ,4304032 ,A - 6862	1		
K-3341		O-RING KIT		1		K-3597,K-3598
K-3367		OIL PUMP KIT	4301829 ,4301948 ,4303776 ,4304529 ,4304572 A - 6963 ,A - 7173	1		
K-3376		O-RING & WASHER KIT	4301211	1		
K-3399		ISOLATOR BUSHING KIT	21244 ,23311	1		
K-3454		SPEED SENSOR KIT	A - 6398 ,A - 6724	1	SINGLE PICK-UP (2 PIN)	
K-3455		SPEED SENSOR KIT, DUAL	A - 7046 ,A - 7518	1	DUAL PICK-UP (4 PIN)	
K-3458		GASKET KIT		1		K-3597,K-3598
K-3467		PIN REPLACEMENT KIT	21245	1		
K-3492		SYNCHRONIZER KIT	K - 2446	1		
K-3497		SYNCHRONIZER REPLACEMENT KIT	K - 3200	1	SLIDING CLUTCH INCLUDED IN KIT	
K-3538		CONVERSION KIT		1	TO CONVERT TO A 13 SPEED TRANSMISSION	
K-3597		BASIC OVERHAUL KIT		1		
K-3598		BASIC REBUILD KIT		1		
K-3671		FORCED LUBE CL HSG KIT	A - 7148	1	#1 PULL IRON	
K-3672		FORCED LUBE CL HSG KIT	A - 7149 ,A - 7150	1	#1 PULL IRON - NODAL MOUNT - UPPER/LOWER	
K-3673		FORCED LUBE CL HSG KIT	A - 7146	1	#1 PULL ALUMINUM - NODAL MOUNT	
K-3676		FORCED LUBE CL HSG KIT	A - 7145	1	#1 PULL ALUMINUM	
K-4125		CLUTCH INSTALLATION KIT (RT), HYDRAULIC RELEASE		1	STANDARD RT INPUT SHAFT AND YOKE FOR HYDRAULIC CLUTCH RELEASE	
S-1404		OIL FILTER	17238	1		

Item	Current Part	Description	Replaced Part	Qty.	Notes	Kits/Assys Where Needed
S-1516		CAP ASSY	20851 ,20853	1		
S-1659		INPUT SHAFT	20535 23566 4302661	1	2" PULL - USE W/FBC 20550	K-2468,K-3597,K-4125
S-1660		INPUT SHAFT	20536 ,23567	1	2" PUSH - USE W/FBC 20549	
S-1794		ISOLATOR ASSY		1		
S-2129		SHIFT LEVER HSG ASSY		1	LOW TOWER	
S-2130		SHIFT LEVER HSG ASSY	S - 2053	1	HIGH TOWER	
S-2269		SHIFT BAR HSG	4302679	1	HOUSING ONLY (RTLOF)	
S-2270		SHIFT BAR HSG	4302675	1	HOUSING ONLY (RTLO)	
S-2501		SPEEDO ROTOR ASSY	4302242	1	MAGNETIC	
S-2502		REAR BRG COVER ASSY	4303604 ,4305827	1	MECHANICAL - 4:00 OPENING	
S-2503		SPEEDO SPACER ASSY	4302590	1		
S-2519		SHIFT LEVER HSG ASSY	S - 2919	1	MID TOWER	
S-2578		ROADRANGER VALVE ASSY		1		K-3538
S-2809		REAR BEARING COVER ASSY	4302332 ,4303872 ,4304652 ,4305830	1	PUSH-IN/THREAD-IN MAGNETIC PICK-UP	
S-2859		REAR BRG COVER ASSY	4302732 ,4305826	1	MECHANICAL - 6:00 OPENING	
S-2902		ROADRANGER VALVE ASSY		1	RTLOC - W/SHIFT DIAGRAM MEDALLION	
S-2910		SHIFT BAR HSG ASSY	4302675	1	COMPLETE (RTLO)	
S-2911		SHIFT BAR HSG ASSY	4302679	1	COMPLETE (RTLOF)	
S-2980		RANGE SECTION ASSY		1		
S-2980R		REMAN RANGE SECTION ASSY		1		
S-3000		CASE ASSEMBLY	4305389 ,4305809 ,S - 2912	1		
S-3108		MAINSHAFT ASSY	4303402,4303403,S-2562,S-3101	1		

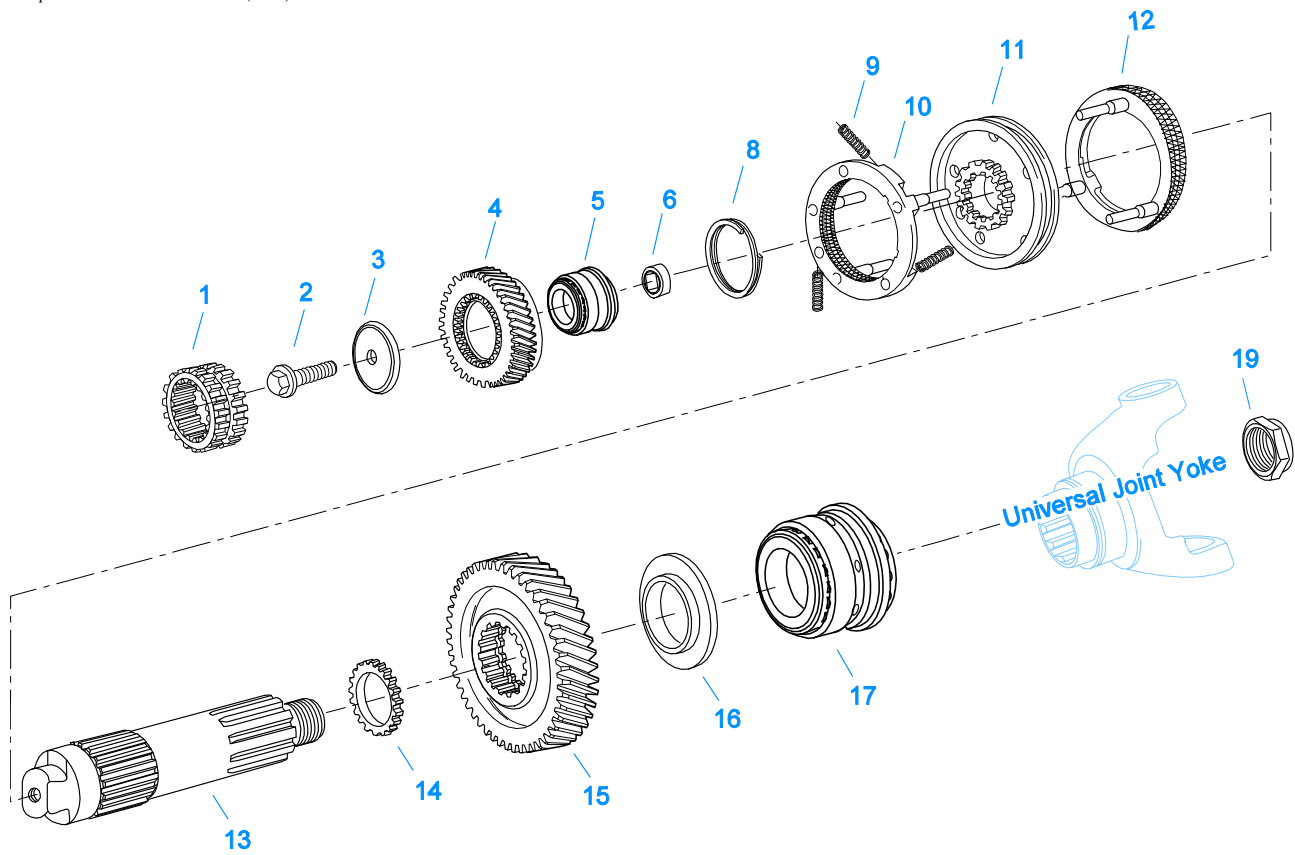


10208-6-99

## LEVERS/HOUSINGS

Item	Current Part	Description	Replaced Part	Qty.	Notes	Kits/Assys Where Needed
1	K-3376	O-RING & WASHER KIT	4301211	1		
2	18299	PIN		1		K-1476,K-2977,S-1677
3	X-8C-604	CAPSCREW		4	3/8"-16X1-1/4"	S-2269,S-2270,S-2910,S-2911
7	K-1476	SHIFT LEVER HSG	4530 ,17163 ,18298 ,4304905 ,A - 4437	1	LOW TOWER	
8	4305294	GASKET	4303431	1		K-1476,K-2428,K-2429,K-2973,K-2977,K-2978,K-3458,S-1677,S-1967,S-2129,S-2130,S-2519,S-2910,S-2911
9	K-2977	SHIFT LEVER HSG KIT	4301167 ,4304907 ,A - 6040	1	MID TOWER	
15	10427	BOOT		1		K-1476,K-2973,K-2977,S-1677,S-2130
20	17600	GEAR SHIFT LEVER		1	STRAIGHT - LOW 21-1/2"	
21	2538	RETAINER		1		K-1476,K-2973,K-2977,S-1677,S-2130
22	2536	SPRING		1		K-1476,K-2973,K-2977,S-1677,S-2130
23	K-2428	LEVER REPLACEMENT KIT		1	LOW TOWER	
23	K-2978	LEVER REPLACEMENT KIT		1	MID TOWER	
24	S-1677	SHIFT TOWER ASSY		1	LOW TOWER	
24	S-1967	SHIFT TOWER ASSY		1	MID TOWER	
33	S-2129	SHIFT LEVER HSG ASSY		1	LOW TOWER	
33	S-2519	SHIFT LEVER HSG ASSY	S - 2919	1	MID TOWER	

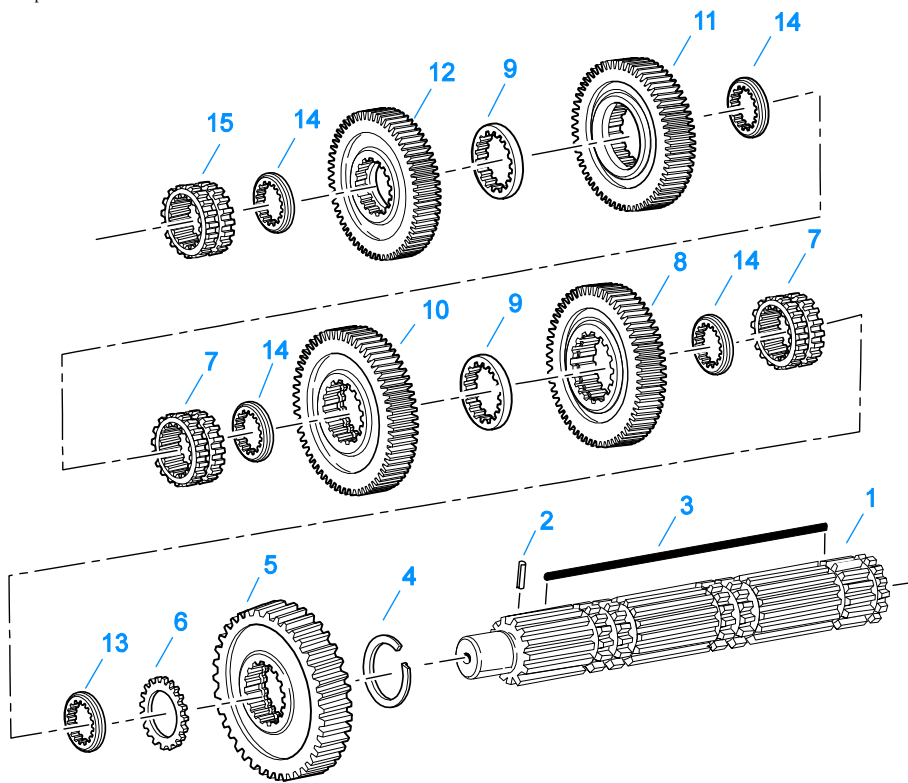




10438A-08-01

## MAINSHAFT & SYNCHRO(AUX)

Item	Current Part	Description	Replaced Part	Qty.	Notes	Kits/Assys Where Needed
1	4300907	SLIDING CLUTCH		1		
2	X-7-1007	SCREW		1	5/8"-18X1-3/4"	
3	4301843	RETAINER		1		
4	4303422	SPLITTER GEAR	4303421 ,4303423	1		
5	4300902-BOX	TAPERED ROLLER BRG	4300902	1		K-3597,K-3598
6	4301844	BEARING SLEEVE		1		
8	4303424	SNAP RING		1		
9	14897	SPRING		3		
10	A-7331	SYNCHRONIZER ASSY	4304396 4304397 A - 5917	1	HI RANGE	K-3327,K-3492,K-3497,K-3597,K-3598
11	4301840	SLIDING CLUTCH	4303386	1		K-3497
12	A-7254	SYNCHRONIZER ASSEMBLY	A - 4937 A - 5876	1	LO RANGE	K-3492,K-3497
13	4303705	MAINSHAFT		1		
14	4301842	WASHER		1		
15	4300940	REDUCTION GEAR	4300934	1		
16	4300912	SPACER		1		
17	5556503-BOX	BEARING	5556503	1		K-3597,K-3598
19	K-4122	HEX FLANGE CRIMPED NUT KIT	4302321,4306520	1		K-3327



10337B-10-96

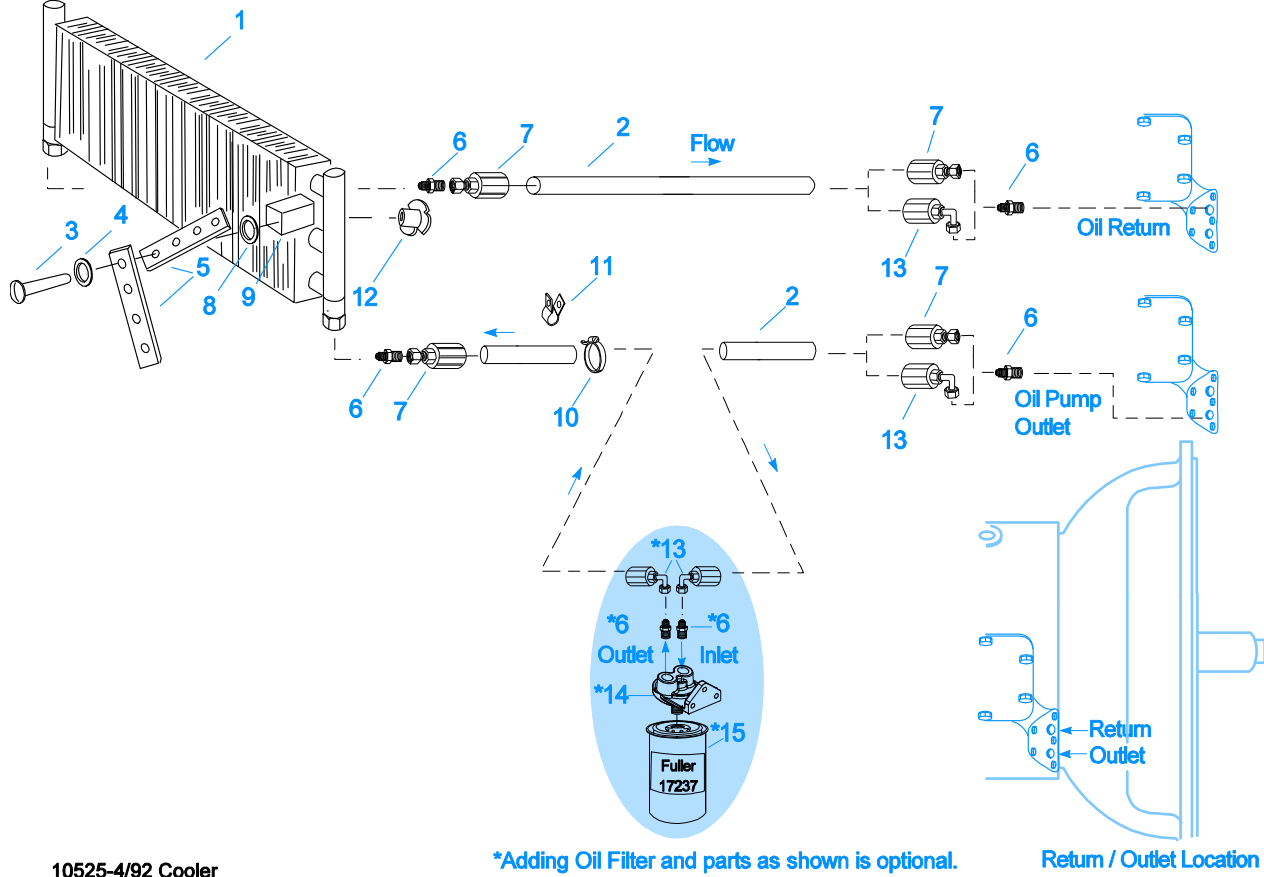
## MAINSHAFT ASSY

Item	Current Part	Description	Replaced Part	Qty.	Notes	Kits/Assys Where Needed
1	S-3108	MAINSHAFT ASSY	4303402, 4303403, S-2562,S-3101	1		
2	62504	ROLL PIN		1		S-3108
3	4304615	3-SIDED KEY	4300120	1		
4	14750	SNAP RING		1		K-2468,K-3327,K-3597,K-3598,K-4125
5	23653	REVERSE GEAR-MAINSHAFT		1		
6	4302047	SPACER		1		K-3327
7	4306648	SLIDING CLUTCH	16118	2		
8	4303412	LO GEAR-MAINSHAFT	4303410	1		
9	4303603	WASHER	4302397	2		K-3327
10	4303420	1ST GEAR-MAINSHAFT	4303408	1		
11	4302394	2ND GEAR-MAINSHAFT	4302395	1		
12	4304514	OD GEAR-MAINSHAFT	4302664 ,4303698 ,4304316	1		
13	4300382	WASHER .249-WHITE		1		K-3327
14	4302398	WASHER		4		K-3327
15	4306647	SLIDING CLUTCH	22026,4304317	1		K-3597

## MISCELLANEOUS

Item	Current Part	Description	Replaced Part	Qty.	Notes	Kits/Assys Where Needed
4300764		SHIFT DIAGRAM LABEL	19819 20161	1	FOR 13 SPEED	K-3538
5586266		SHIFT DIAGRAM LABEL		1	FOR 9 SPEED	
71203		SILICONE LUBE		1	8 OZ (236.59 CC)-FLEET SIZE	
71204		ADHESIVE SEALANT		1	0.5 CC (SINGLE APPLICATION SIZE)	K-3198
71205		SEALANT		1	2 CC (SINGLE APPLICATION SIZE)	K-3597
71206		SILICONE LUBE		1	4 CC (SINGLE APPLICATION SIZE)	K-2428,K-2429,K-2978,K-3331,K-3341

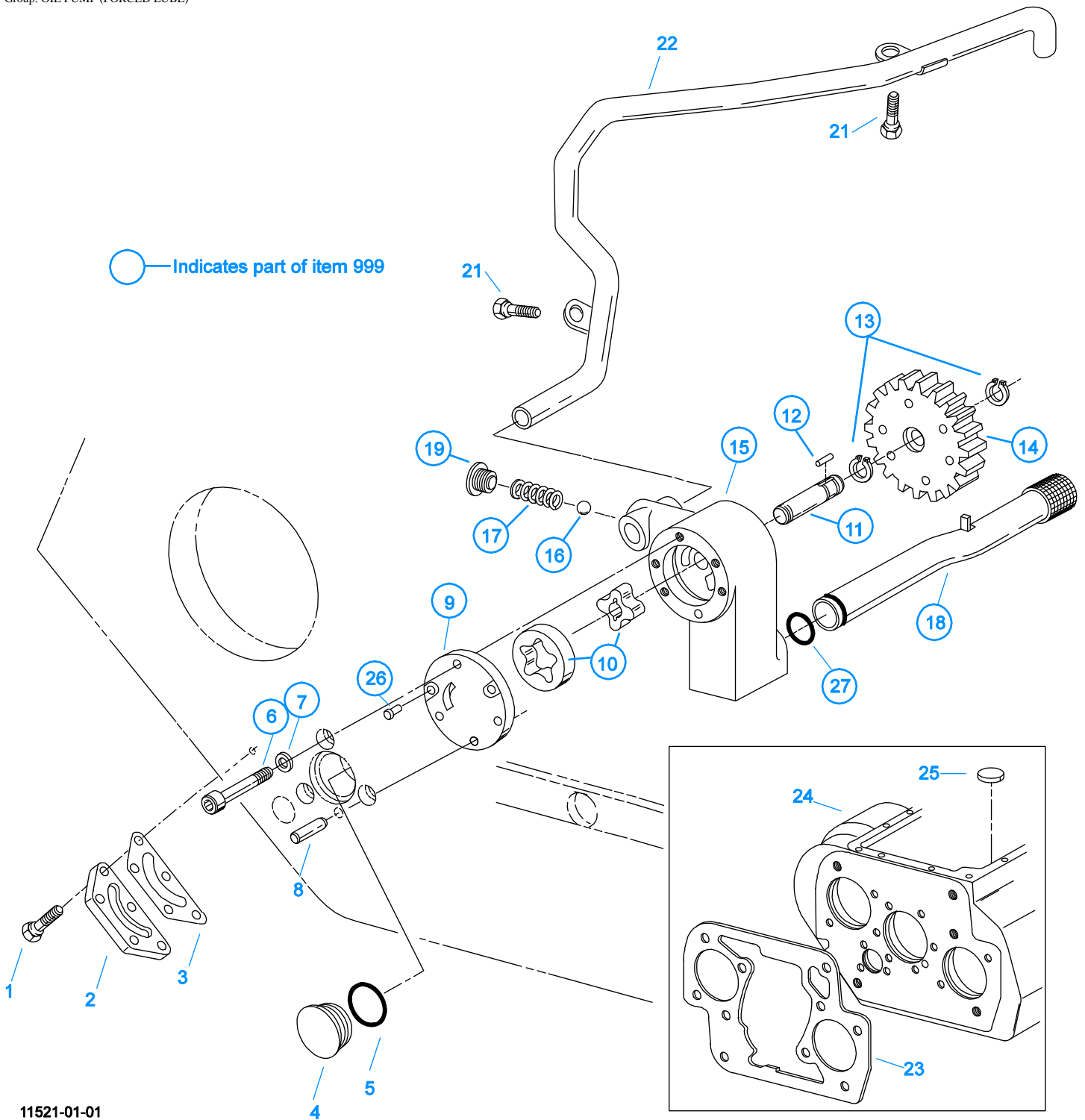
Group: OIL COOLER



## OIL COOLER

Item	Current Part	Description	Replaced Part	Qty.	Notes	Kits/Assys Where Needed
1	18025	OIL COOLER		1		K-1956
2	19424	HOSE		1	25 FEET	K-1956
3	X-8-535	CAPSCREW		2	5/16"-16X2-1/2"	
4	X-3-506	LOCKWASHER		2	5/16"	
5	18211	BRACKET		4		K-1956
6	19419	CONNECTOR		6		K-1956,S-1404
7	19415	SWIVEL		4		K-1956
8	X-10-501	WASHER		2	5/16"	
9	18209	PLUG-RUBBER MOUNT		2		K-1956
10	17190	STRAP		8		K-1956
11	19423	CLAMP		5		K-1956
12	18210	NUT		2		K-1956
13	19422	ELBOW		4		K-1956
14	S-1404	OIL FILTER	17238	1		
15	17237	FILTER ELEMENT		1		S-1404

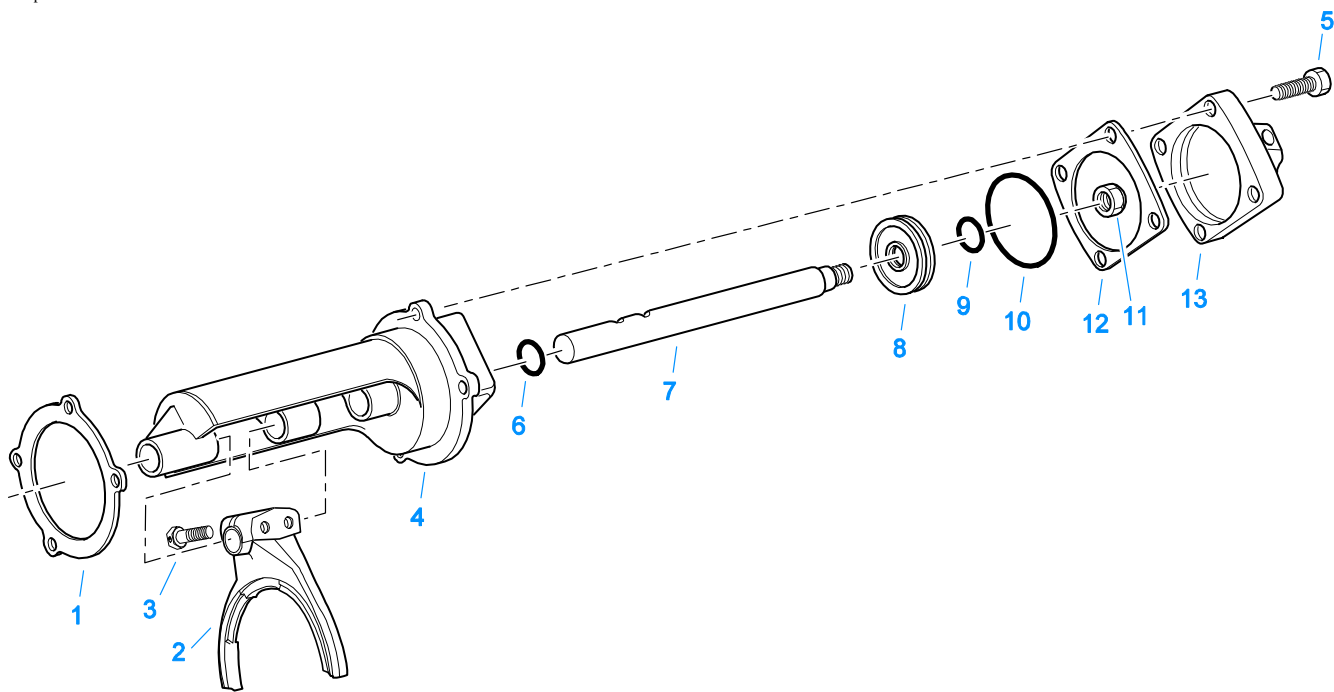




**OIL PUMP (FORCED LUBE)**

Item	Current Part	Description	Replaced Part	Qty.	Notes	Kits/Assys Where Needed
1	X-8C-409	CAPSCREW		5	1/4"-20X5/8"	
2	K-2402	COVER & SCREW KIT	20513 ,4300751	1		
3	20514	GASKET		1		K-2402
4	20823	PLUG		1		
5	14765	-O- RING		1		K-3341
6	X-8-448	SCREW	X 8 445	3	1/4"-20X1-1/4"	
7	20824	WASHER		3		K-3367

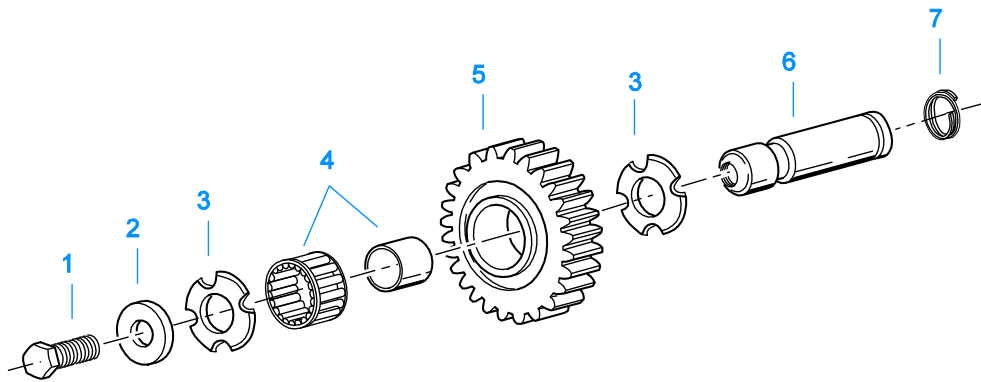
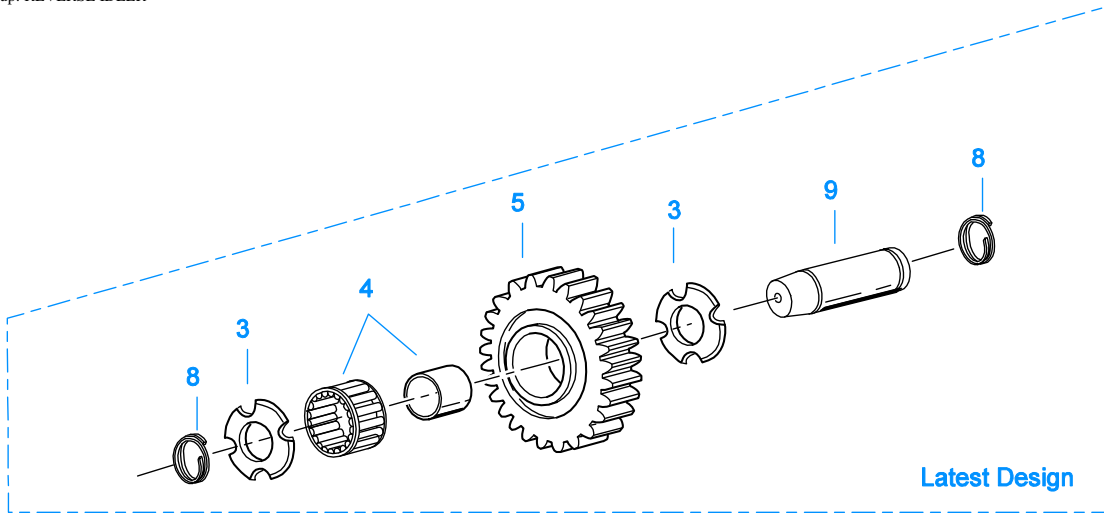
Item	Current Part	Description	Replaced Part	Qty.	Notes	Kits/Assys Where Needed
8	20825	DOWEL PIN		1		
9	4303773	RETAINER		1		
10	K-3367	OIL PUMP KIT	4301829 ,4301948 ,4303776 ,4304529 ,4304572 A - 6963 ,A - 7173	1		
11	K-3367	OIL PUMP KIT	4301829 ,4301948 ,4303776 ,4304529 ,4304572 A - 6963 ,A - 7173	1		
12	20509	KEY		1		
13	14853	SNAP RING		2		
14	4303774	PUMP DRIVE GEAR	4304880	1		
15	K-3367	OIL PUMP KIT	4301829 ,4301948 ,4303776 ,4304529 ,4304572 A - 6963 ,A - 7173	1		
16	X-14-700	STEEL BALL		1	7/16"	
17	4303775	SPRING		1		
18	4305713	SUCTION TUBE	4304628	1	O-RING INCLUDED ON SUCTION TUBE	K-3367
19	4304629	PLUG		1		
21	X-8-686	CAPSCREW		2	3/8"-16X3/4"	
22	4305715	SPLITTER LUBE TUBE	A - 7197	1		
23	4306584	CLUTCH HOUSING GASKET	4304815,4305668	1		K-3458,K-3671,K- 3672,K-3673,K-3676
24	S-3000	CASE ASSEMBLY	4305389 ,4305809 ,S - 2912	1		
25	14373	MAGNET		3		S-3000
26	X-8-447	SCREW		2		
27	20225	-O- RING		1		
999	K-3367	OIL PUMP KIT	4301829 ,4301948 ,4303776 ,4304529 ,4304572 A - 6963 ,A - 7173	1		



11462-5-98

## RANGE CYLINDER

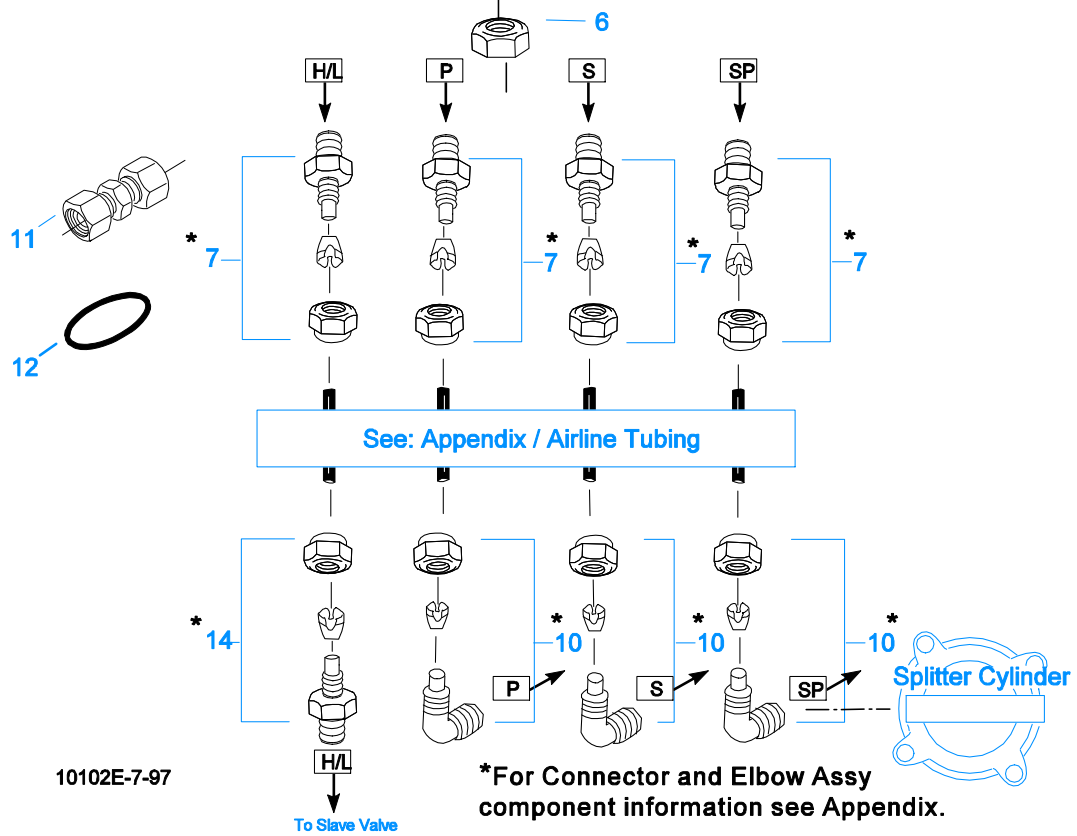
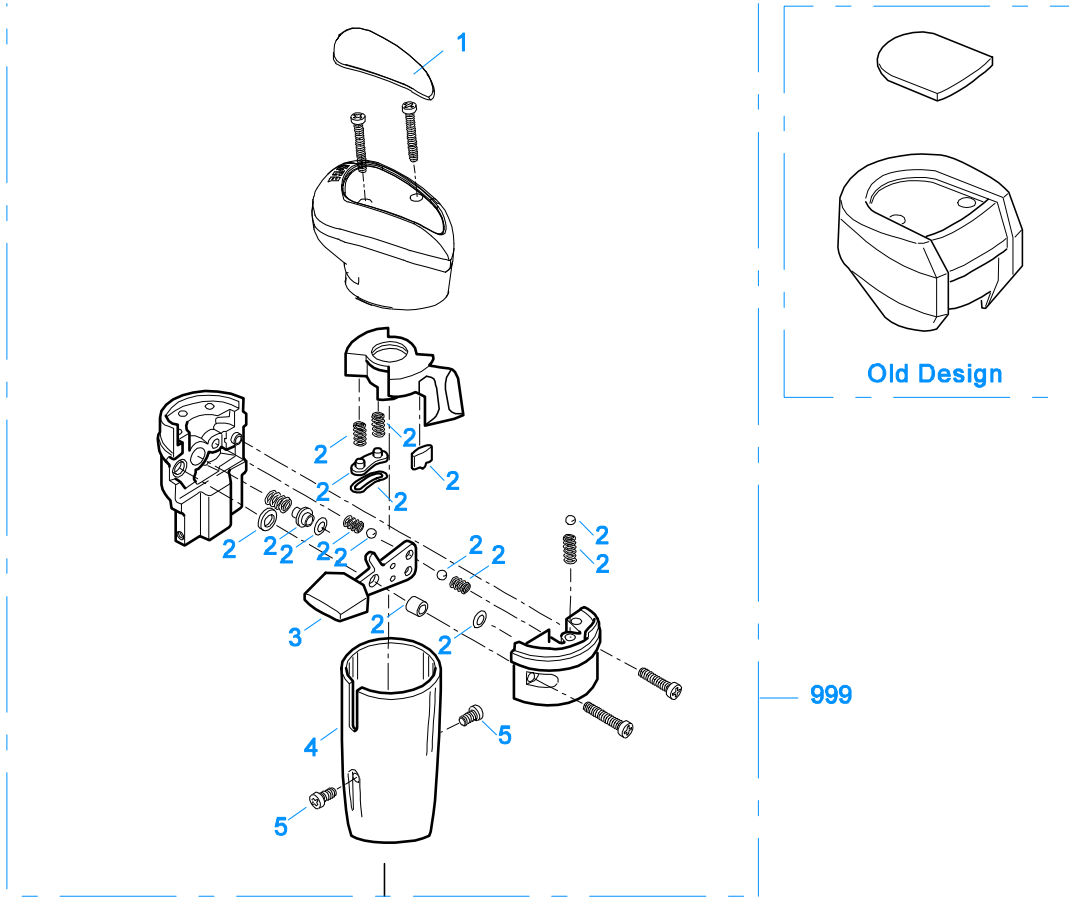
Item	Current Part	Description	Replaced Part	Qty.	Notes	Kits/Assys Where Needed
1	14347	GASKET		1		K-3341,K-3458
2	22823	SHIFT YOKE	16775	1		
3	X-7-809	BOLT	X 7 810 ,X 7 811	2	1/2"-20X1-3/4"	
4	A-6690	RANGE CYLINDER ASSY	4303595	1		
5	X-8L-607	CAPSCREW	X 8 607	4	3/8"-16X2-1/4", 3/8"-16X2-1/4"	
6	14765	-O- RING		1		K-3341
7	4303596	YOKE BAR		1		
8	14341	PISTON	23353	1		
9	14345	-O- RING		1		K-3341
10	14344	-O- RING		1		K-3341
11	X-1-1010	NUT		1	5/8"-18	
12	22826	GASKET		1		K-3341,K-3458
13	4303926	COVER		1		



11382-3-97 RI

**REVERSE IDLER**

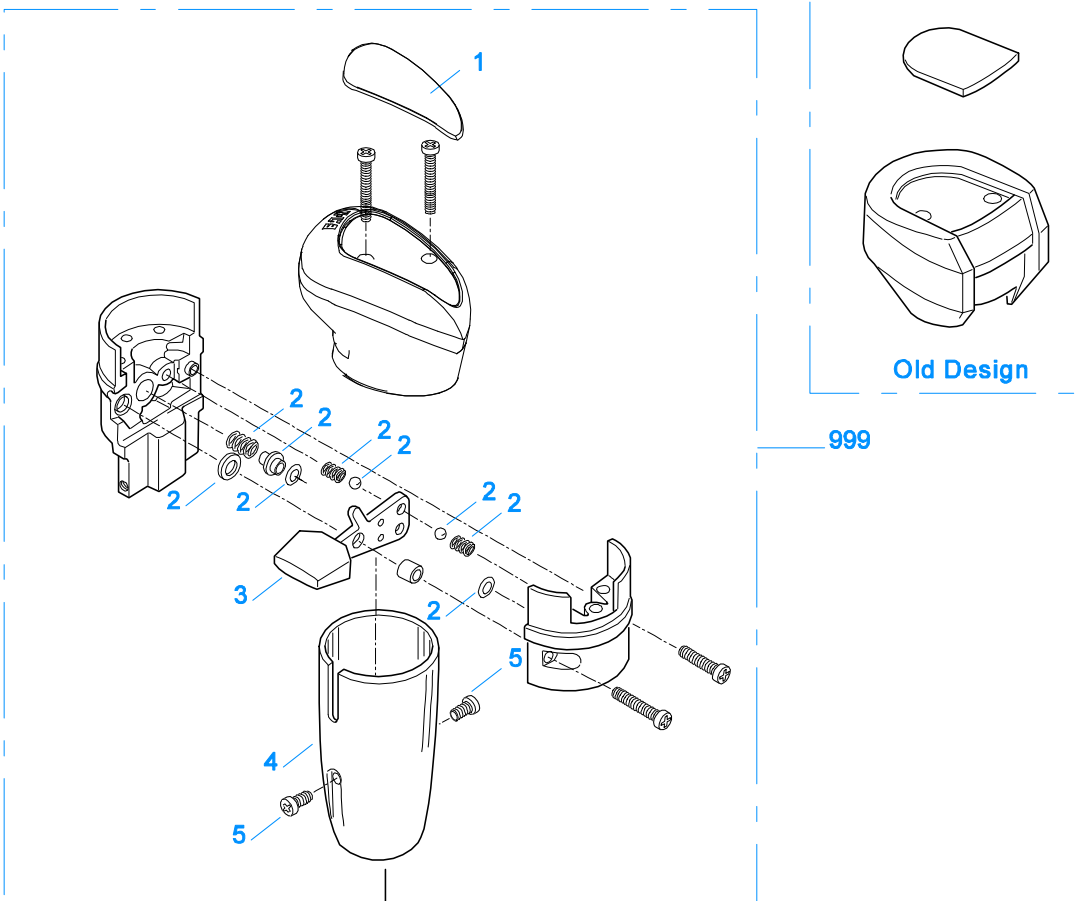
Item	Current Part	Description	Replaced Part	Qty.	Notes	Kits/Assys Where Needed
1	X-7-1008	CAPSCREW		2	5/8"-18X1-1/4	
2	14283	WASHER		2		
3	4302982	WASHER	14282	4		K-3209
4	14287	BEARING	4305020	2		K-3597,K-3598
5	16757	REVERSE IDLER GEAR	22409	2		
6	K-3209	IDLER SHAFT REPL KIT	16405 ,4302981 ,4305513	2		
7	4303336	RETAINING RING		2		K-3209
8	4303336	RETAINING RING		4		K-3209
9	4305513	IDLER SHAFT		2		K-3209



10102E-7-97

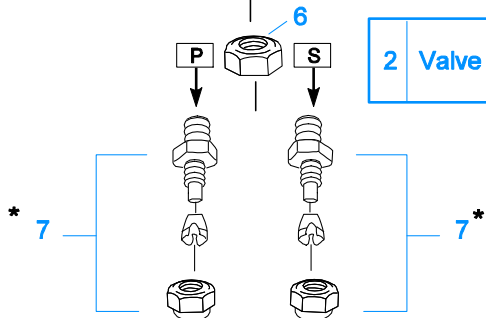
## ROADRANGER VALVE- 13 SPD

Item	Current Part	Description	Replaced Part	Qty.	Notes	Kits/Assys Where Needed
1	5586100	MEDALLION, LOGO		1	(LATEST DESIGN) FULLER LOGO ONLY	A-6909,A-6913
1	5586113	SHIFT DIAGRAM MEDALLION		1	RTLO - W/SHIFT PATTERN	S-2578
2	K-3193	MASTER VALVE REPAIR KIT		1	FOR A-6913 VALVE	
3	20495	LEVER		1		A-6909,A-6913
4	20112	COVER		1		A-6909,A-6913
5	X-8-213	SCREW	X 8 202	2	8-32X3/8"	
6	X-9-802	NUT		1	1/2"-13	
7	84001	CONNECTOR ASSY	82501	4	1/8" TUBE-1/16" NPTF	
7	84003	CONNECTOR ASSY	82503	4	5/32" TUBE-1/16" NPTF	
7	84005	CONNECTOR ASSY		4	"PUSH-TO-CONNECT" 5/32" TUBE-1/16" NPTF	K-3597,S-2578,S-2902
10	85001	ELBOW ASSY	84501	3	5/32" TUBE-1/8" NPTF	
10	85002	ELBOW ASSY	84502	3	1/8" TUBE-1/8" NPTF	
10	85003	ELBOW ASSY		3	"PUSH-TO-CONNECT" 5/32" TUBE-1/8" NPTF	K-3198,K-3331,K-3597
11	84101	UNION ASSY		1	1/8" TUBING	
11	84102	UNION ASSY		1	5/32" TUBING	
11	84103	UNION ASSY		1	"PUSH-TO-CONNECT" 5/32" TUBING	
12	13571	-O- RING CLAMP		2		
14	84002	CONNECTOR ASSY	82502	1	1/8" TUBE-1/8" NPTF	
14	84004	CONNECTOR ASSY	82504	1	5/32" TUBE-1/8" NPTF	
14	84006	CONNECTOR ASSY		1	"PUSH-TO-CONNECT" 5/32" TUBE-1/8" NPTF	K-3198,K-3538
999	A-6913	ROADRANGER VALVE ASSY	A - 4900	1	STANDARD-W/LOGO	
999	S-2578	ROADRANGER VALVE ASSY		1	RTLO - W/SHIFT PATTERN	K-3538

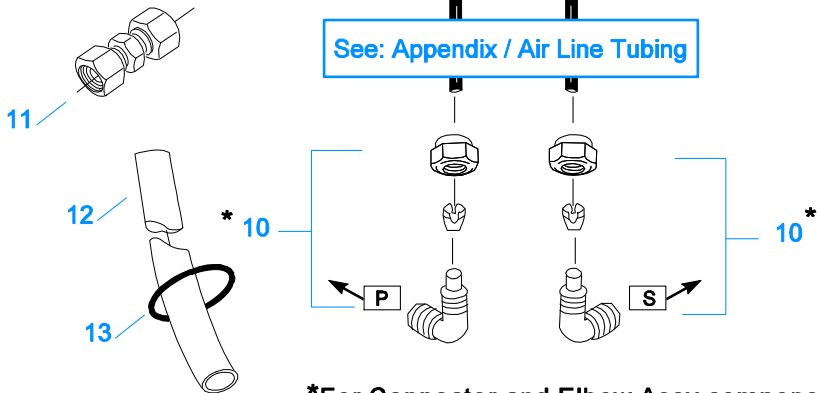


999

2 Valve Repair Kit



See: Appendix / Air Line Tubing



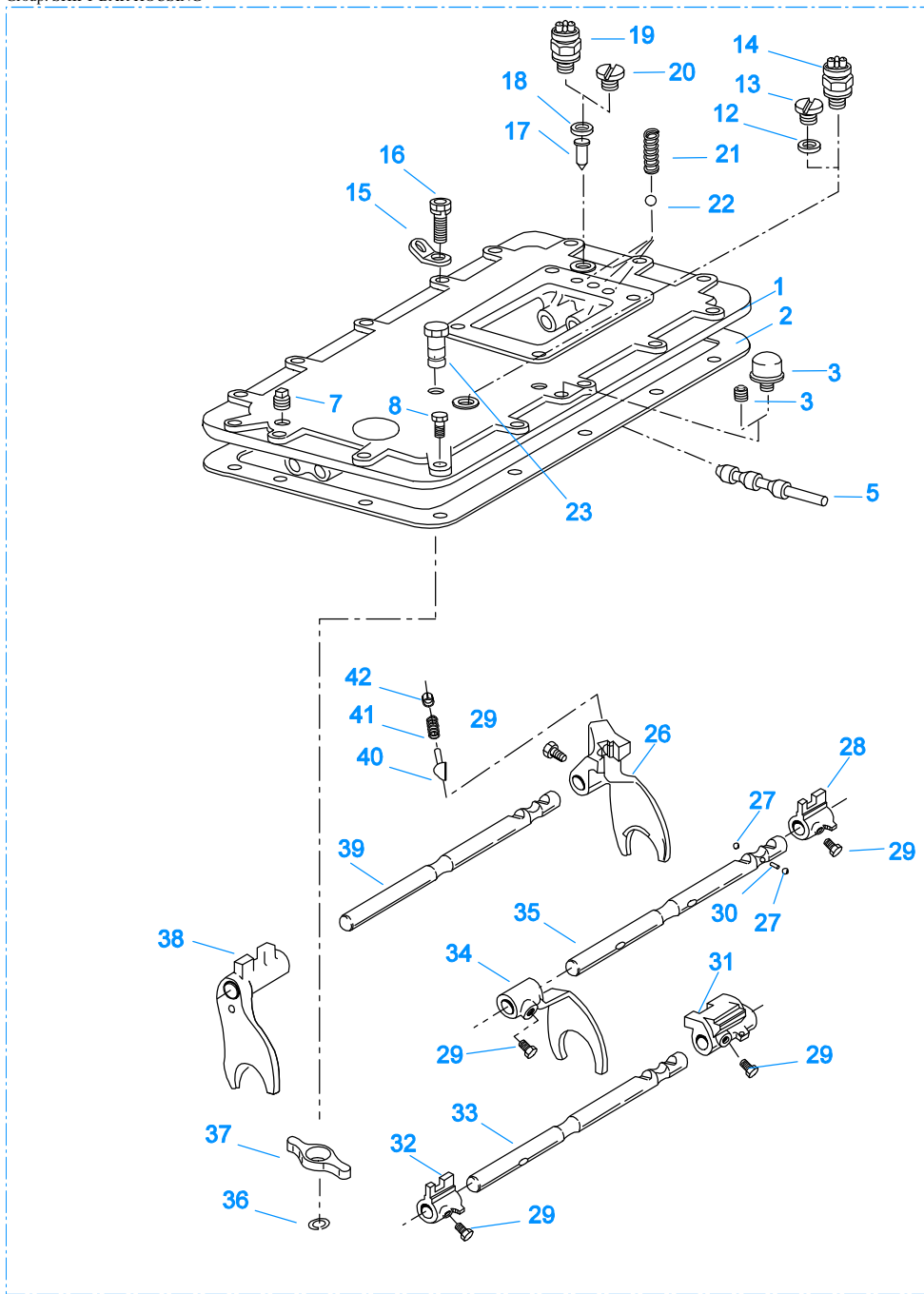
\*For Connector and Elbow Assy component information see Appendix.

10100A-3-97 RRV-2

## ROADRANGER VALVE- 9 SPD

Item	Current Part	Description	Replaced Part	Qty.	Notes	Kits/Assys Where Needed
1	20107	MEDALLION, LOGO		1	(OLD DESIGN) FULLER LOGO ONLY	
1	5586100	MEDALLION, LOGO		1	(LATEST DESIGN) FULLER LOGO ONLY	A-6909,A-6913
1	5586126	SHIFT VALVE MEDALLION		1	RTLOC	S-2902
2	K-1921	MASTER VALVE REPAIR KIT		1	FOR A-6909 VALVE	
3	20495	LEVER		1		A-6909,A-6913
4	20112	COVER		1		A-6909,A-6913
5	X-8-213	SCREW	X 8 202	2	8-32X3/8"	
6	X-9-802	NUT		1	1/2"-13	
7	84001	CONNECTOR ASSY	82501	2	1/8" TUBE-1/16" NPTF	
7	84003	CONNECTOR ASSY	82503	2	5/32" TUBE-1/16" NPTF	
7	84005	CONNECTOR ASSY		2	"PUSH-TO-CONNECT" 5/32" TUBE-1/16" NPTF	K-3597,S-2578,S-2902
10	85001	ELBOW ASSY	84501	2	5/32" TUBE-1/8" NPTF	
10	85002	ELBOW ASSY	84502	2	1/8" TUBE-1/8" NPTF	
10	85003	ELBOW ASSY		2	"PUSH-TO-CONNECT" 5/32" TUBE-1/8" NPTF	K-3198,K-3331,K-3597
11	84101	UNION ASSY		1	1/8" TUBING	
11	84102	UNION ASSY		1	5/32" TUBING	
11	84103	UNION ASSY		1	"PUSH-TO-CONNECT" 5/32" TUBING	
12	80120	SHEATHING (50 FT ROLL)		1	5/32" - BLACK 50'	
13	13571	-O- RING CLAMP		1		
999	A-6909	ROADRANGER VALVE ASSY	A - 5010 ,A - 5310	1	STANDARD-W/LOGO	
999	S-2902	ROADRANGER VALVE ASSY		1	RTLOC - W/SHIFT DIAGRAM MEDALLION	





10245-1-01 X-Bar

## SHIFT BAR HOUSING

Item	Current Part	Description	Replaced Part	Qty.	Notes	Kits/Assys Where Needed
1	S-2270	SHIFT BAR HSG	4302675	1	HOUSING ONLY (X)	
2	4302676	GASKET	14918	1		K-3458,S-2269,S-2270,S-2910,S-2911
3	4304602	BREATHER	23605	1	1/4" NPT	
3	X-12-404	PIPE PLUG		1	1/4" NPT	
5	20332	AIR VALVE SHAFT	17177	1		S-2910,S-2911
7	X-12-603	PIPE PLUG	X12 602	1	3/8" NPT	
8	X-8L-609	CAPSCREW		1	3/8"-16X1-3/4"	
12	17179	GASKET		1		S-2269,S-2270,S-2910,S-2911
13	4303655	PLUG	17178	1		S-2269,S-2270,S-

Item	Current Part	Description	Replaced Part	Qty.	Notes	Kits/Assys Where Needed
14	22941	NEUTRAL LIGHT SWITCH	12639	1	SWITCH NORMALLY CLOSED	2910,S-2911
15	20815	LIFTING EYE	17105	2		S-2980
16	X-8L-602	CAPSCREW		2	3/8"-16X1-1/2"	
16	X-8L-604	CAPSCREW		15	3/8"-16X1-1/4" OR USE 11 PCS OF X-8L-604 WITH 2 PCS OF X-8L-602	
17	15899	PIN		1		S-2269,S-2270,S-2910,S-2911
18	15900	GASKET		1		S-2269,S-2270,S-2910,S-2911
19	22940	REVERSE LIGHT SWITCH	16830	1	SWITCH NORMALLY OPEN	
20	4303656	PLUG	15917	1		S-2269,S-2270,S-2910,S-2911
21	15918	SPRING		3		K-3327,K-3597,S-2910,S-2911
22	X-14-800	STEEL BALL		3	1/2"	
23	K-3104	ACTUATOR PIN KIT	4303287	1		
26	16131	SHIFT YOKE		1	REVERSE/LO	S-2910
27	X-14-1200	STEEL BALL		2	3/4"	
28	14658	SHIFT BLOCK		1	1ST/2ND	S-2910
29	3220	LOCKSCREW		5		S-2910,S-2911
30	1634	INTERLOCK PIN		1		K-3327,S-2910,S-2911
31	19063	SHIFT BLOCK		1	3RD/OD	S-2910
32	20120	SHIFT BLOCK	18924	1	3RD/OD	S-2910,S-2911
33	18928	YOKE BAR	4302760	1	3RD/OD	S-2910
34	18922	SHIFT YOKE		1	1ST/2ND	S-2910,S-2911
35	18927	YOKE BAR		1	1ST/2ND	S-2910
36	4302070	SNAP RING		1		K-3104,S-2910,S-2911
37	4303225	ACTUATOR		1		S-2910,S-2911
38	4305575	SHIFT YOKE	20450	1	3RD/OD	S-2910,S-2911
39	18926	YOKE BAR		1	REVERSE/LO	S-2910
40	10019	PLUNGER		1		S-2910,S-2911
41	6392	SPRING		1		K-3327,S-2910,S-2911
42	8968	PLUG		1		S-2910,S-2911
999	S-2910	SHIFT BAR HSG ASSY	4302675	1	COMPLETE (RTLO)	

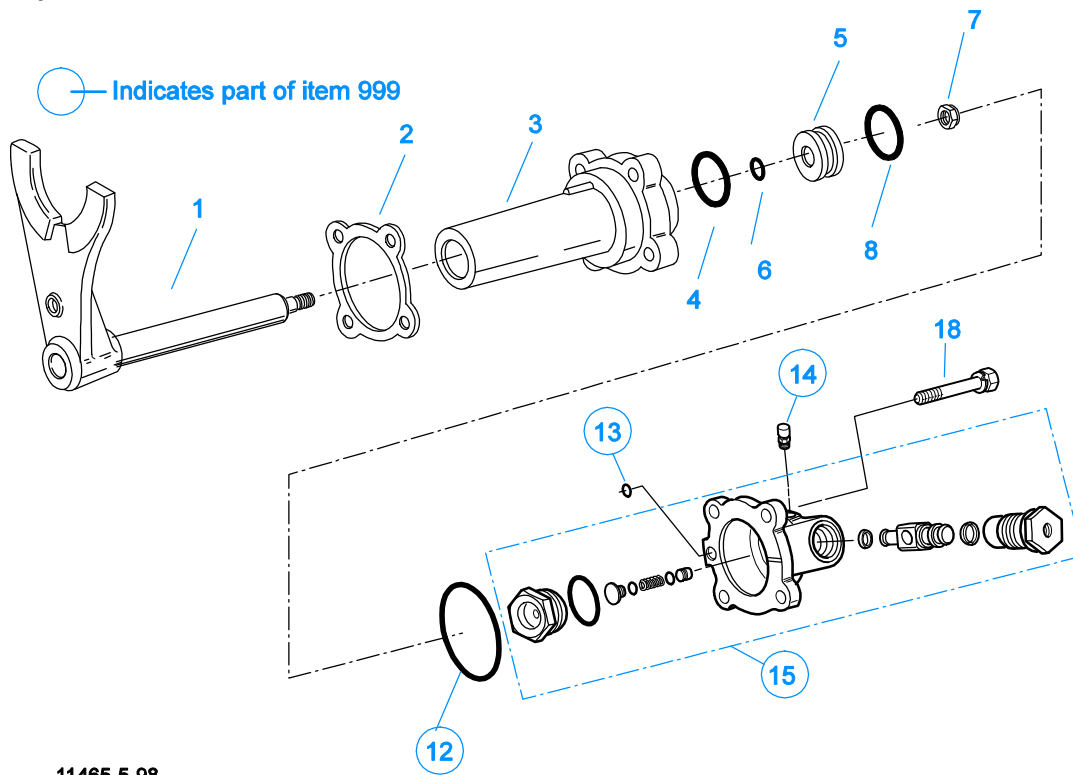


2 Repair Kit

10120-10-97 A-5000 SV

### SLAVE VALVE - A-5000

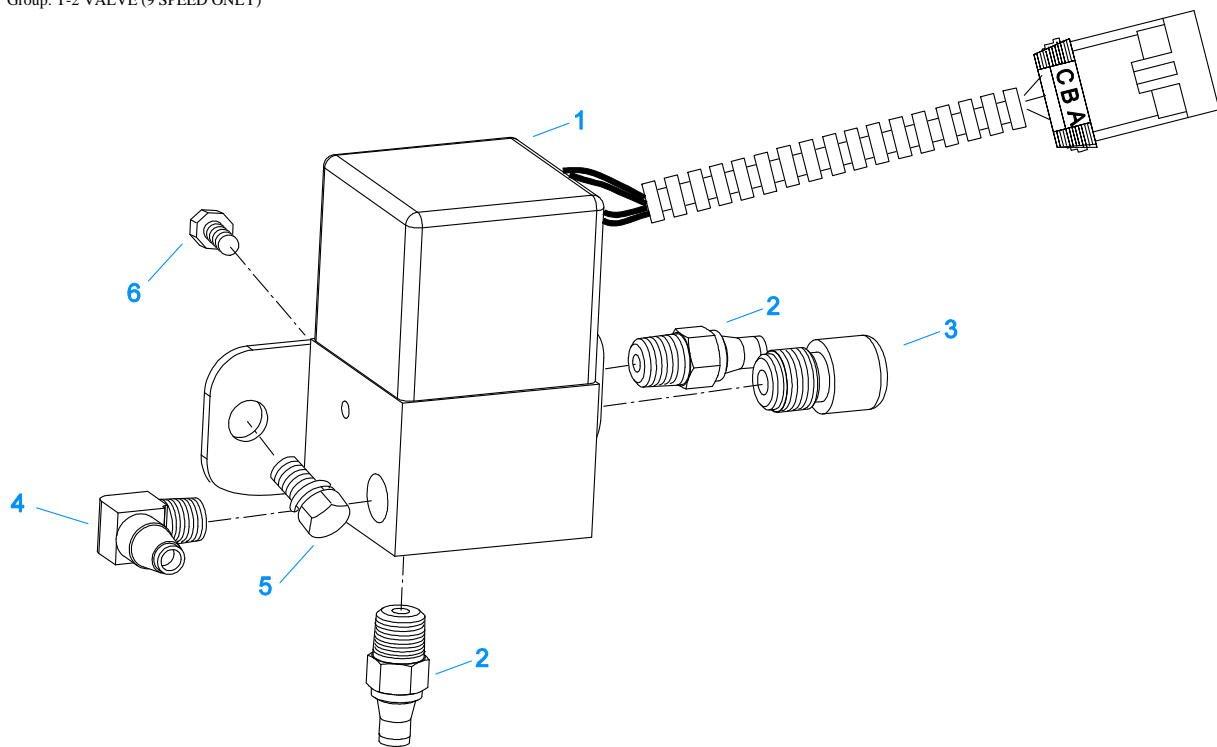
Item	Current Part	Description	Replaced Part	Qty.	Notes	Kits/Assys Where Needed
1	A-5000	SLAVE VALVE ASSY	20850	1		
2	K-1935	REPAIR KIT-SLAVE VALVE		1	FOR A-5000 VALVE	
3	20855	PLUG		1		A-5000
4	20854	PISTON		1		A-5000
5	20849	CAP	15131	1		A-5000
7	S-1516	CAP ASSY	20851 ,20853	1		
8	X-8C-413	CAPSCREW		3	1/4"-20X1-1/2"	



11465-5-98

## SPLITTER CYLINDER

Item	Current Part	Description	Replaced Part	Qty.	Notes	Kits/Assys Where Needed
1	A-7012	SPLITTER YOKE ASSY	A - 6304 ,A - 6892	1		
2	4303583	GASKET		1		K-3341,K-3458
3	4303582	SPLITTER CYLINDER		1		
4	21208	-O- RING		1		K-3341
5	4301964	PISTON		1		
6	13653	-O- RING		1		K-3331,K-3341
7	X-1-805	NUT		1		
8	21209	-O- RING		1		K-3341
12	5568534	-O- RING		1		K-3331,K-3341
13	13653	-O- RING		1		K-3331,K-3341
14	X2014210	BREATHER	7935	1		
15	K-3331	SPLITTER VLV REPL KIT	4300927 ,4304031 ,4304032 ,A - 6862	1		
18	X-8L-540	CAPSCREW		4	5/16"-18X1-7/8"	
999	K-3331	SPLITTER VLV REPL KIT	4300927 ,4304031 ,4304032 ,A - 6862	1		



10139-12-97 Top 2

### T-2 VALVE (9 SPEED ONLY)

Item	Current Part	Description	Replaced Part	Qty.	Notes	Kits/Assys Where Needed
1	K-3198	T-2 VALVE KIT	691300 ,691359	1		
2	84006	CONNECTOR ASSY		2	"PUSH-TO-CONNECT" 5/32" TUBE-1/8" NPTF	K-3198, K-3538
3	7935	BREATHER		1		K-3198
4	85003	ELBOW ASSY		1	"PUSH-TO-CONNECT" 5/32" TUBE-1/8" NPTF	K-3198, K-3331, K-3597
5	X-8C-556	CAPSCREW	X 8L 500	2	5/16"-18X3/4"	
6	X-8-214	SCREW		2		

