



Eaton Fuller RTLOF-14918B Transmission Parts Manual


This is Eaton Fuller RTLOF-14918B Transmission parts manual brought to you by Pro Gear and Transmission to assist you identifying the parts for your Eaton / Fuller transmission unit.


If you need any assistance identifying the correct Eaton / Fuller unit for your truck and equipment, contact your Eaton replacement parts specialists at Pro Gear and Transmission.

Pro Gear stocks every part for your Eaton transmission including: Valve Assemblies, Synchronizers, Yoke Assemblies, O-Ring Kits, Drive Gears, Gaskets, Bearing and Seal Kits, and much more.


Pro Gear and Transmission has same day shipping and thousands of products in stock and ready to ship internationally for your next project.

For parts or service contact the Eaton transmission specialists at Pro Gear & Transmission, Inc.

 CALL US

 EMAIL US

 VISIT MODEL PAGE

 VISIT ONLINE STORE



Roadranger®

More time on the road®

Illustrated Parts List

RTLOF-14918B
July 2011

Contents

How To Use The Illustrated Parts List	3
AUXILIARY DRIVE GEAR.....	4
CASE (AUX)	5
CASE (FRONT)	7
COUNTERSHAFT & BRGS(AUX).....	9
COUNTERSHAFT ASSY.....	10
FILTER REGULATOR.....	11
H & C W/A-5000 VALVE.....	12
HEAT EXCHANGER	13
INPUT SHAFT & DRIVE GEAR	15
INTEGRAL OIL PUMP	16
ISOLATORS	18
KITS & ASSEMBLIES	19
LEVERS/HOUSINGS	21
MAINSHAFT & SYNCHRO(AUX).....	23
MAINSHAFT ASSY.....	24
MISCELLANEOUS	25
OIL COOLER.....	26
OIL FILTER	27
RANGE CYLINDER.....	28
REVERSE IDLER.....	29
ROADRANGER VALVE	31
SHIFT BAR HOUSING	32
SLAVE VALVE - A-5000.....	34
SPLITTER CYLINDER	35

How To Use The Illustrated Parts List

The information contained in this document is subject to frequent updates. Therefore, for the latest information available, please visit the interactive Electronic Parts Catalog at www.roadranger.com/epc.

Model Designation or Nomenclature

- For information regarding Model Designation and Nomenclature, visit www.roadranger.com.

Kits and Assemblies (K/A's)

- Kits and Assemblies contain groups of individual or assembled parts developed for optimal replacement or repair of a service problem.
- Kits and Assemblies are shown with applicable parts groupings in the parts listings.

Identifying Kits and Assemblies

A- Part numbers beginning with the letter 'A' are pre-assembled Production Assemblies

K- Part numbers beginning with the letter 'K' are kits that are not assembled

S- Part numbers beginning with the letter 'S' are pre-assembled Service Assemblies

- Note: Some Production Assemblies do not begin with a letter prefix (Midrange only).

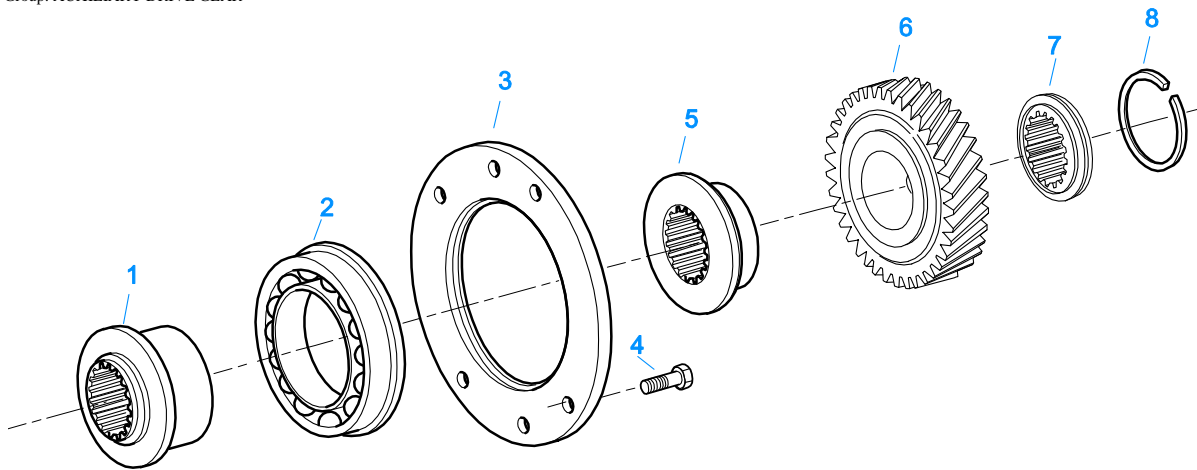
Illustrations

- Illustrations show parts in assembly groups.
- Item numbers on illustrations correspond with parts listings on pages adjacent to the illustration.
- Notes are included on illustrations where additional information is needed.

Parts Listing

Parts listings are defined by parts groupings and are broken down by service assemblies. Parts listings identify a part for servicing with the following categories

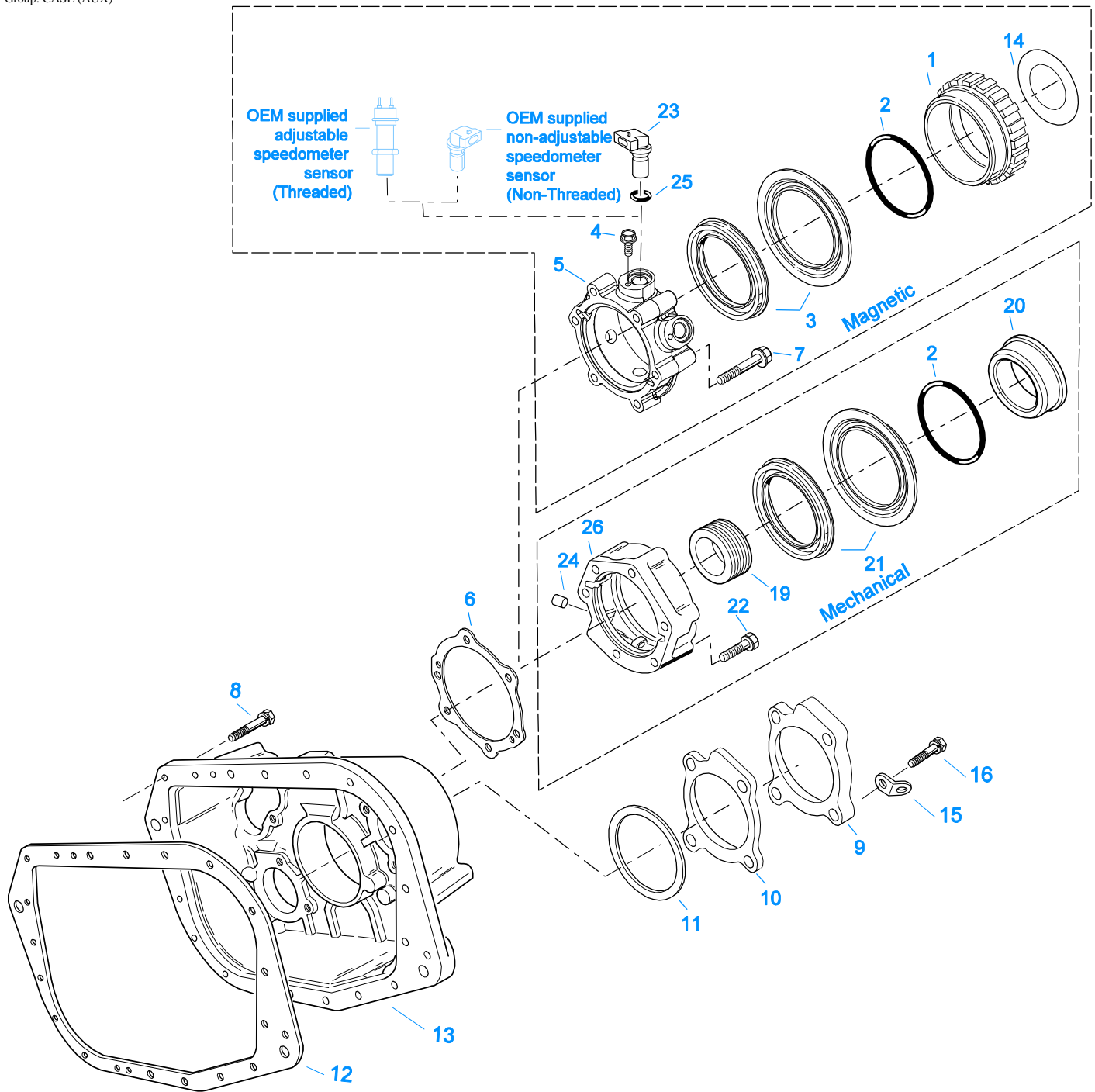
- **Item Number** - corresponding with numbers on illustrations for part identification.
- **Current Part** - identifies part as it is available for service.
- **Description** - specifies part name or description.
- **Replaced Part** - quantity quantity required for assembly.
- **Quantity** - defines unique characteristics or requirements.
- **Notes** - indicates Kits or Assemblies that contain a particular part.
- **Kits/Assy's Where Used**



10484A-5-10

AUXILIARY DRIVE GEAR

Item	Current Part	Description	Replaced Part	Qty.	Notes	Kits/Assys Where Needed
1	4303673	SPACER	4302046	1		
2	5566508- BOX	BEARING	5566503,5566508	1		K-3354,K-3355
3	4300894	RETAINER		1		
4	X-8-645	CAPSCREW	X 8 612	6	3/8"-16X1"	
5	4300911	SPACER		1		K-2808
6	K-2808	REPL KIT-DRIVE GEAR	4300932 ,4300938	1		
7	4303185	WASHER	4300901	1		K-2808
8	4301254	SNAP RING		1		K-2808,K-3327,K-3354,K-3355

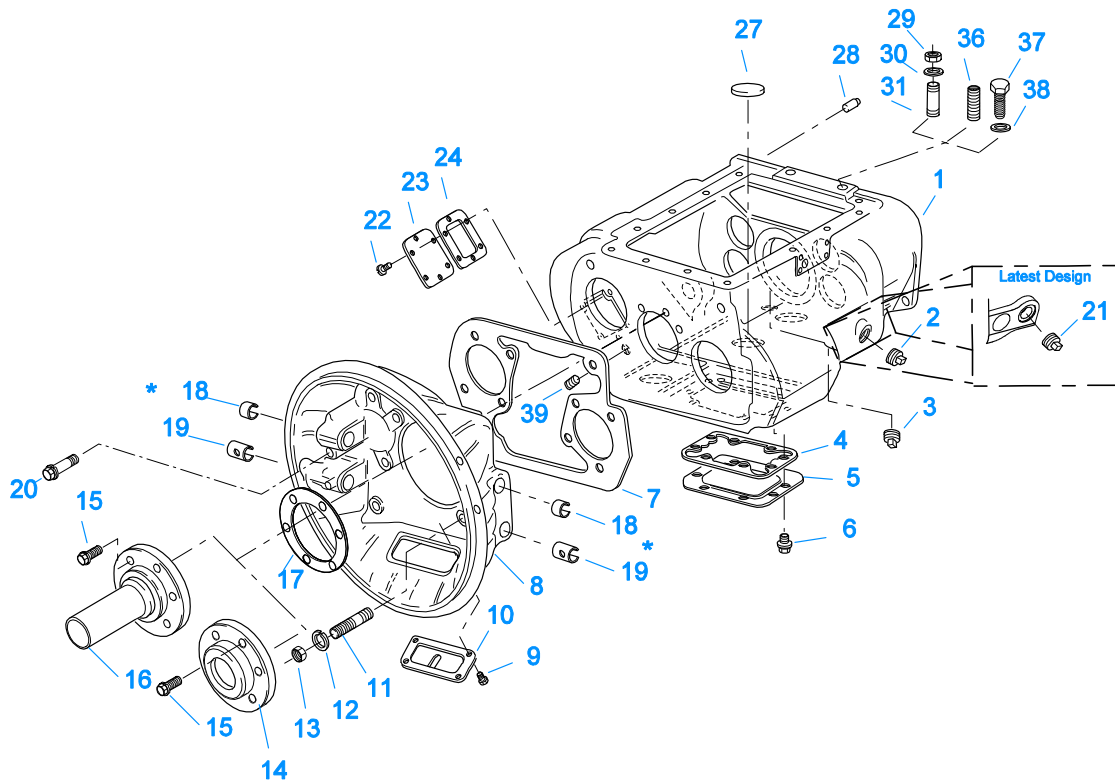


10419-2-97

CASE (AUX)

Item	Current Part	Description	Replaced Part	Qty.	Notes	Kits/Assys Where Needed
1	S-2501	SPEEDO ROTOR ASSY	4302242	1	MAGNETIC	
2	5568511	-O- RING		1		K-2918,S-2501,S-2503,S-2786,S-2809
3	K-2918	OIL SEAL KIT	4302322 4302323	1	"FOR MAGNETIC COVER"	K-3354,K-3355
4	X-8-0801M	CAPSCREW		2	M8 X 1.25 X 12MM	
5	S-2809	REAR BEARING COVER ASSY	4302332 ,4303872 ,4304652 ,4305830	1	PUSH-IN/THREAD-IN MAGNETIC PICK-UP	
6	1009551	GASKET - RED EDGE MOLDED		1	RED EDGE MOLDED GASKET - UNCOMPRESSED THICKNESS .043 -	K-2262,K-2918,K-3288,S-2502,S-2809,S-

Item	Current Part	Description	Replaced Part	Qty.	Notes	Kits/Assys Where Needed
					.051 - NOT INTERCHANGEABLE WITH ANY OTHER GASKET	2859
6	4302247	GASKET - PURPLE EDGE MOLDED		1	NON EDGE MOLDED GASKET - UNCOMPRESSED THICKNESS - .013 - .018 - NOT INTERCHANGABLE WITH ANY OTHER GASKET	K-2262,K-2918,K-3288
7	X-8L-611	CAPSCREW		4	3/8"-16X3-1/4"	
7	X-8L-614	CAPSCREW		2	3/8"-16X2"	
7	X-8L-614	CAPSCREW		6	3/8"-16X2" USE W/4303872 RBC	
8	X-8L-602	CAPSCREW		17	3/8"-16X1-1/2"	
8	X-8L-614	CAPSCREW		2	3/8"-16X2"	
9	4302320	COVER	21346	2		S-2786
10	4305978	GASKET	4302246	2		K-3288,S-2786
11	K-2805	SHIM KIT	21452 K - 2106	1		K-3354,K-3355,S-2786
12	14335	GASKET		1		K-3288,S-2786
13	4303586	REAR HOUSING		1		
14	4304653	SHIELD		1		S-2809
15	20815	LIFTING EYE		2		S-2786
16	X-8L-604	CAPSCREW		8	3/8"-16X1-1/4"	
19	86104	SPEEDO DRIVE GEAR		1		
20	S-2503	SPEEDO SPACER ASSY	4302590	1	MECHANICAL	
21	K-2262	OIL SEAL W/SLINGER	19109 ,20807 ,20808	1	"FOR MECHANICAL COVER"	
22	X-8L-616	CAPSCREW	X 8 616	6	3/8"-16X2-3/4"	
23	K-3454	SPEED SENSOR KIT	A - 6398 ,A - 6724	1	SINGLE PICK-UP (2 PIN)	
23	K-3455	SPEED SENSOR KIT, DUAL	A - 7046 ,A - 7518	1	DUAL PICK-UP (4 PIN)	
24	7992	BUSHING		1		S-2502,S-2859
25	14142	-O- RING		1		S-2786
26	S-2502	REAR BRG COVER ASSY	4303604 ,4305827	1	MECHANICAL - 4:00 OPENING	
26	S-2859	REAR BRG COVER ASSY	4302732 ,4305826	1	MECHANICAL - 6:00 OPENING	



10300-6-92 Iron/Alum Hsg

* Bushing quantity requirements: #1 Housing – Upper bore use 4 #12815 / Lower bore use 2 #8677.

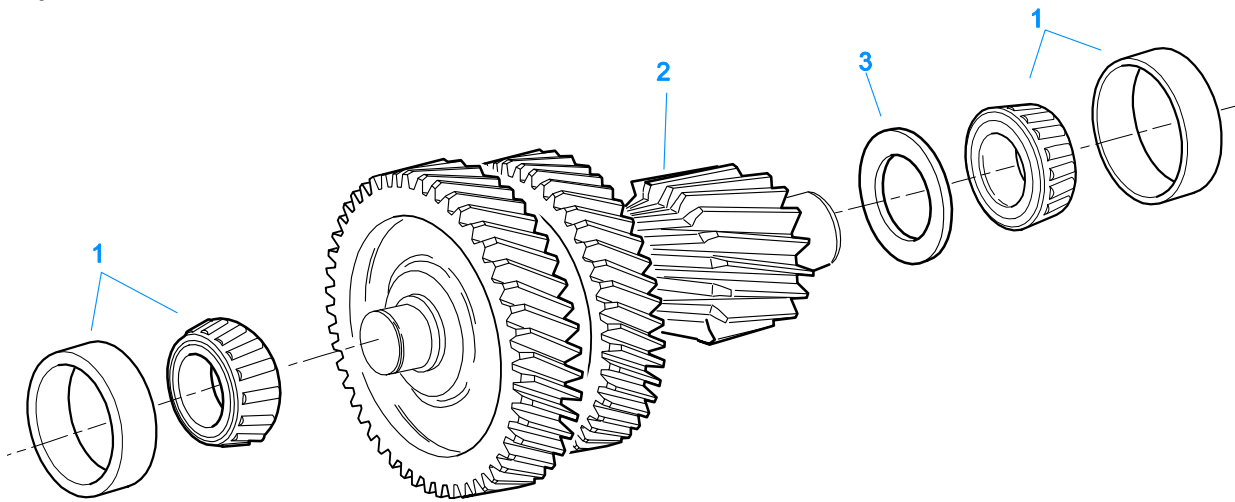
#2 Housing – Upper bore use 2 #12815 and 1 #8677 / Lower bore use 2 #8677.

Note: Some part requirements are specific to #1 or #2 Aluminum or Iron Clutch Housings and Push or Pull type Clutch.

CASE (FRONT)

Item	Current Part	Description	Replaced Part	Qty.	Notes	Kits/Assys Where Needed
1	S-2128	CASE ASSY	4300898	1		
2	X-12-2007	PIPE PLUG	X12 2006	1		
3	X-12-1207	PIPE PLUG	X12 1202 ,X12 1206	1	3/4" MAGNETIC	
4	4305310	GASKET	4302810	1		K-3288
5	4302809	PTO COVER	16596 ,4300571	1		
6	X-8-725	CAPSCREW	X 8 724	8	7/16"-14X7/8"	
7	4306584	CLUTCH HOUSING GASKET	4304815,4305668	1		K-3288
8	A-3713	CLUTCH HOUSING ASSY	A - 3700	1	#1 PUSH-PULL IRON	
8	A-3723	CLUTCH HOUSING ASSY	A - 3721 ,A - 3722	1	#2 PUSH-PULL IRON	
8	A-4772	CLUTCH HOUSING ASSY	A - 4344 ,A - 4771	1	#2 PUSH-PULL ALUM.	
8	A-5992	CLUTCH HOUSING ASSY	4301103	1	#1 PULL ALUM.(SPECIAL-LIGHTER WEIGHT)	
9	239614	SCREW	X-8L-509	4	5/16-18X.81 QUANTITY DEPENDENT ON DESIGN	
10	14506	HAND HOLE COVER		1	#2 PUSH	
10	14507	HAND HOLE COVER		1	#2 PULL	
10	4305230	HAND HOLE COVER	11453	1	#1 PULL	
10	4305231	HAND HOLE COVER	1565	1	#1 PUSH	
11	4306583	STUD	5966	6		
12	X-10-1005	WASHER	X 3 1000 ,X10 1000 .X10 1004	6	1.23 X 6.60	
13	X-1-1012	HEX NUT	X-1-1005	6	.625-18	
14	20550	FRONT BEARING COVER		1	2" PULL	K-2468,K-4125
15	X-8L-604	CAPSCREW		6	3/8"-16X1-1/4"	
16	20549	FRONT BEARING COVER		1	2" PUSH	
17	14311	GASKET		1		K-3288
18	12815	BUSHING		4	FOR #1 HOUSING UPPER	A-3713,A-3723,A-4772,A-5992,K-2468
18	12815	BUSHING		2	FOR #2 HOUSING UPPER	A-3713,A-3723,A-

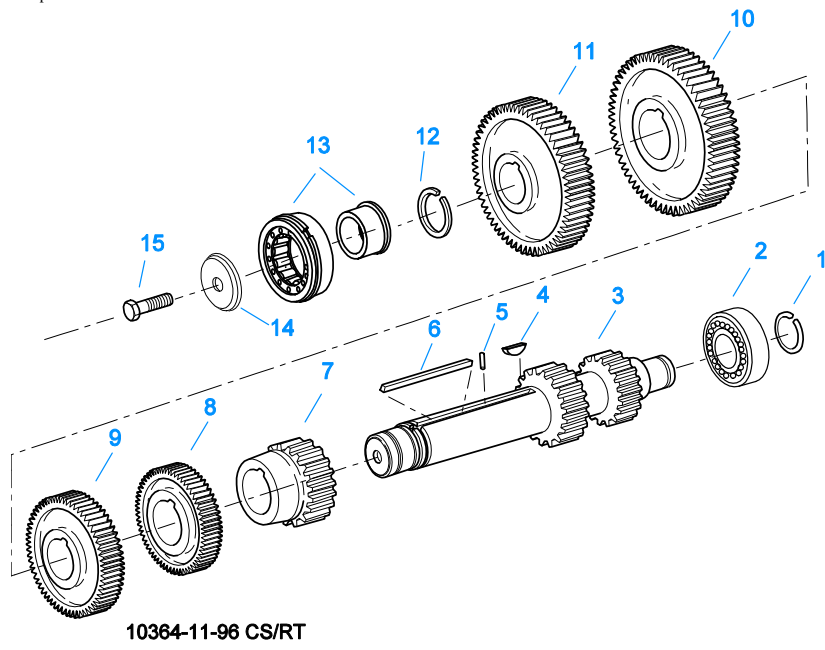
Item	Current Part	Description	Replaced Part	Qty.	Notes	Kits/Assys Where Needed
18	8677	BUSHING		1	FOR #2 HOUSING UPPER	4772,A-5992,K-2468
19	8677	BUSHING		2	FOR #1 AND #2 HOUSING LOWER	A-3713,A-3723,A-4772
20	X-8C-830	HEX HEAD SCREW/WASHER ASSY	X-8C-826	4	.500-13 X 1.490, USE 2 PCS FOR IRON HOUSING, USE 4 PCS FOR ALUMINUM HOUSING	A-3713,A-3723,A-4772
20	X-8C-831	HEX HEAD SCREW/WASHER ASSY	X-8C-822	2	.500-13 X 3.460, FOR IRON HOUSING	
21	4304023	PLUG	4303747	1	1-1/16" MAGNETIC, O-RING INCLUDED	S-2128
22	X-8-686	CAPSCREW		6	3/8"-16X3/4"	
23	14575	PTO COVER	4302254	1		
24	4305309	GASKET	1684	1		K-3288
27	14373	MAGNET		3		S-2128
28	18128	PIN		2		
29	X-1-1012	HEX NUT		2	.625-18	
30	X-10-1005	WASHER	X 3 1000 ,X10 1000 ,X10 1004	2	1.23 X 6.60	
31	14554	STUD	1632 ,6579	2	5/8" X 2-3/16"	
36	23104	PLUG	1712	2		
37	X-8-1005	CAPSCREW		2	5/8"-11X1-1/4"	
38	20814	SPACER		2		
39	X-12-802	PIPE PLUG	X12 800	1	1/2"	



10444-5/93 CS Helical

COUNTERSHAFT & BRGS(AUX)

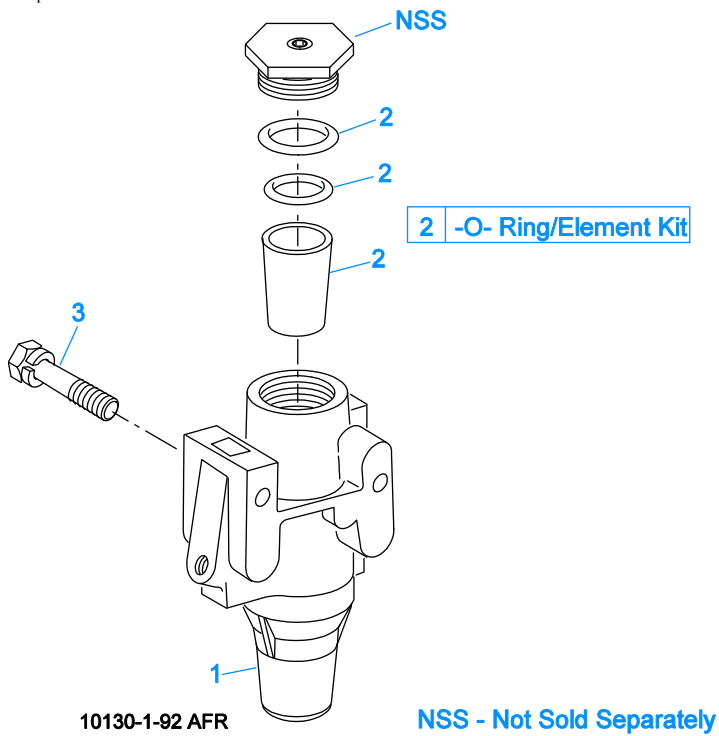
Item	Current Part	Description	Replaced Part	Qty.	Notes	Kits/Assys Where Needed
1	4301851-BOX	BEARING	4301851	4		K-3354,K-3355
2	K-3220	COUNTERSHAFT REPLT KIT	4301792 ,4301793 ,A - 6187 ,A - 6602 ,A - 6603	2		
3	4303124	SPACER	K-3220			



COUNTERSHAFT ASSY

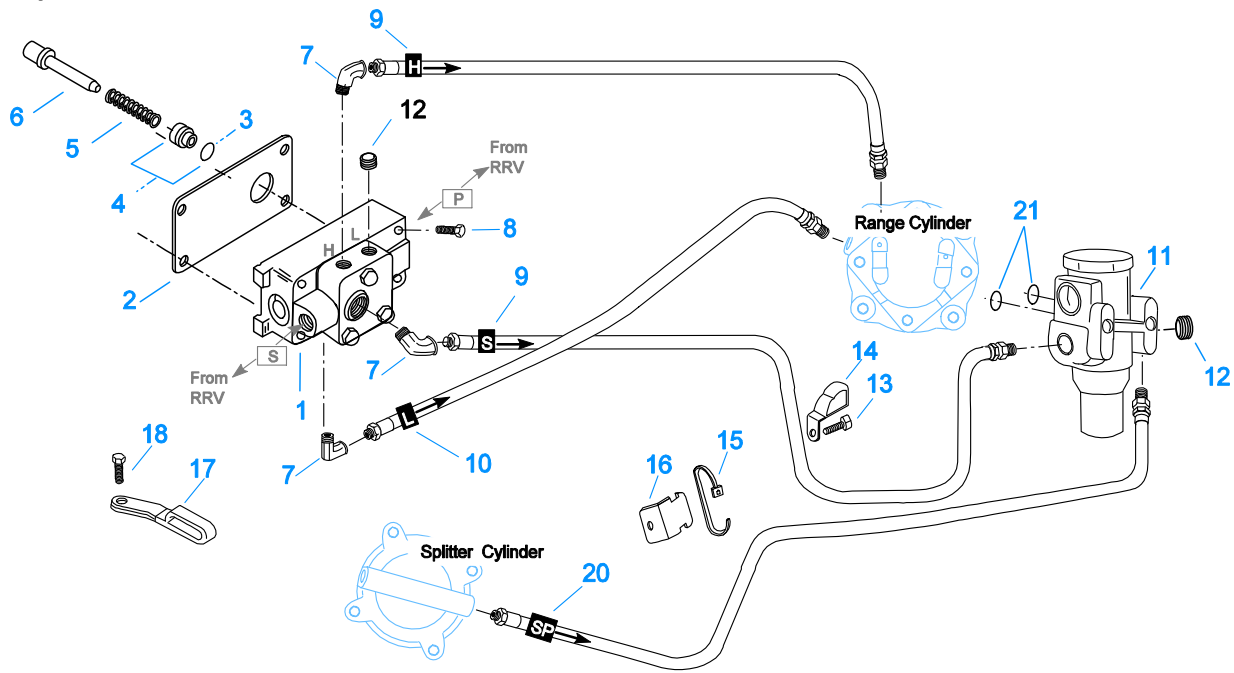
Item	Current Part	Description	Replaced Part	Qty.	Notes	Kits/Assys Where Needed
1	14317	SNAP RING		2		K-3327,K-3354,K-3355
2	4303031	BEARING	14366	2		K-3354,K-3355
3	K-2934	CNTRSHFT W/REV & LO	19549	2		
4	X-6-E	KEY		2		
5	62511	ROLL PIN		2		
6	4304840	KEY	19673	2		
7	21025	1ST GEAR-CNTRSHFT	19629 ,4300241	2		
8	21264	2ND GEAR-CNTRSHFT	19623	2		
9	4300191	OD GEAR-CNTRSHFT	4305071	2		
10	15953	PTO GEAR - LOWER		1		
10	20840	PTO GEAR - UPPER	15952	1		
11	4305665	DRIVE GEAR-CNTRSHFT	21018,4305069	2		
12	19198	SNAP RING		2		K-3327
13	4304599	BEARING	4302677 4304598	2		K-3354,K-3355
14	4304605	RETAINER	19548	2		
15	X-7-1005	CAPSCREW		2	5/8"-18X1-3/4"	

Group: FILTER REGULATOR



FILTER REGULATOR

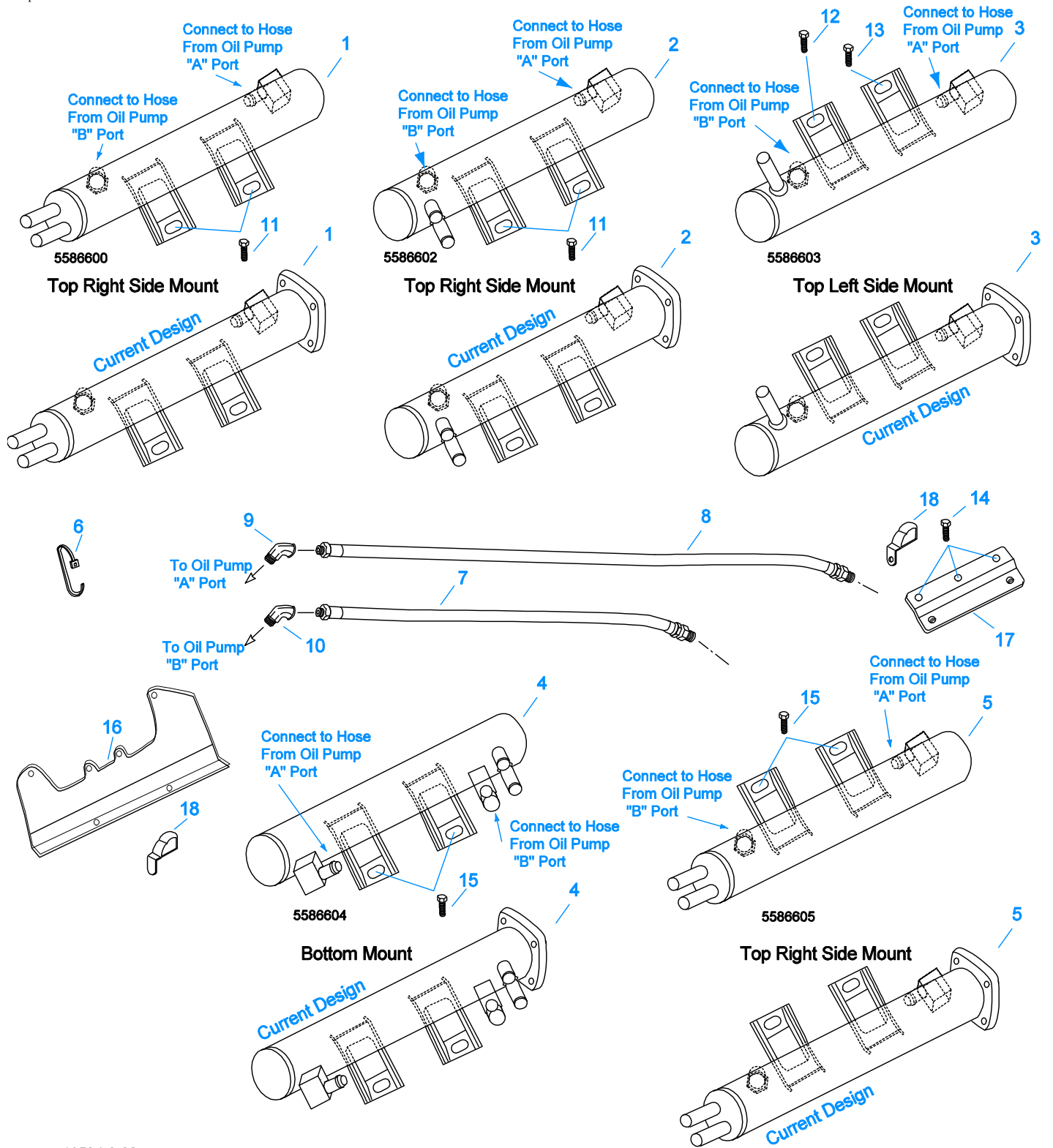
Item	Current Part	Description	Replaced Part	Qty.	Notes	Kits/Assys Where Needed
1	A-4740	FILTER/REGULATOR	19600	1		
2	K-1698	-O- RING/ELEMENT KIT		1	FOR FILTER REGULATOR	
3	X-8C-412	CAPSCREW	X 8S 412	2	1/4"-20X2-1/4"	



10110I-2/94 A-5000 HC spl cyl

H & C W/A-5000 VALVE

Item	Current Part	Description	Replaced Part	Qty.	Notes	Kits/Assys Where Needed
1	A-5000	SLAVE VALVE ASSY	20850	1		
2	19481	GASKET		1		K-3288
3	19462	-O- RING	14033	1		K-1969
4	K-1969	SLEEVE KIT	14362 ,19460 ,21446	1	FOR SLAVE VALVES	
5	21268	SPRING	19572	1		
6	20490	PIN	19459	1		
7	12845	ELBOW		3	1/8"	
8	X-8C-411	CAPSCREW		4	1/4"-20X1-3/4"	
9	55528	HOSE ASSY		2	36"	
10	55509	HOSE ASSY		1	34"	
11	A-4740	FILTER/REGULATOR	19600	1		
12	X-12-208	PIPE PLUG		2	1/8" NPT	
13	X-8L-604	CAPSCREW		1	3/8"-16X1-1/4"	
14	21427	HOSE CLAMP		1		
15	21425	STRAP		1		
16	21426	BRACKET		1		
17	21428	HOSE CLAMP		1		
18	X-8L-604	CAPSCREW		1	3/8"-16X1-1/4"	
20	55527	HOSE ASSY		1	15"	
21	15114	-O- RING		2		A-5000,K-1935,K-3341

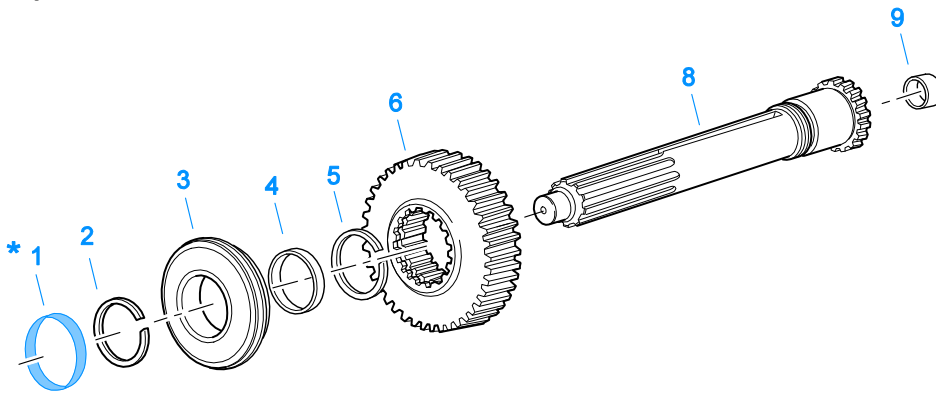


10534-6-98

HEAT EXCHANGER

Item	Current Part	Description	Replaced Part	Qty.	Notes	Kits/Assys Where Needed
1	K-3952	HEAT EXCHANGER KIT	5586612,5586625	1	3/4" PORTS	
1	K-3963	HEAT EXCHANGER KIT	5586600,K-3620	1	MUST USE WHEN REPLACING 5586600 HEAT EXCHANGER WITH	

Item	Current Part	Description	Replaced Part	Qty.	Notes	Kits/Assys Where Needed
					5/8" PORTS, 5/8" TO 3/4" ADAPTERS ARE INCLUDED IN THIS KIT	
2	K-3954	HEAT EXCHANGER KIT	5586614,5586627	1	3/4" PORTS	
2	K-3965	HEAT EXCHANGER KIT	5586602 ,K - 3362,K-3622	1	MUST USE WHEN REPLACING 5586602 HEAT EXCHANGER WITH 5/8" PORTS, 5/8" TO 3/4" ADAPTERS ARE INCLUDED IN THIS KIT	
3	K-3955	HEAT EXCHANGER KIT	5586615,5586628	1	3/4" PORTS	
3	K-3966	HEAT EXCHANGER KIT	5586603,K-3623,K-3655	1	MUST USE WHEN REPLACING 5586603 HEAT EXCHANGER WITH 5/8" PORTS, 5/8" TO 3/4" ADAPTERS ARE INCLUDED IN THIS KIT	
4	K-3956	HEAT EXCHANGER KIT	5586629	1	3/4" PORTS	
4	K-3967	HEAT EXCHANGER KIT	5586604,5586616,K-3624	1	MUST USE WHEN REPLACING 5586604 HEAT EXCHANGER WITH 5/8" PORTS, 5/8" TO 3/4" ADAPTERS ARE INCLUDED IN THIS KIT	
5	K-3959	HEAT EXCHANGER KIT	5586633	1	3/4" PORTS	
5	K-3968	HEAT EXCHANGER KIT	5586605 ,K - 3360,K-3625	1	MUST USE WHEN REPLACING 5586605 HEAT EXCHANGER WITH 5/8" PORTS, 5/8" TO 3/4" ADAPTERS ARE INCLUDED IN THIS KIT	
5	K-3972	HEAT EXCHANGER KIT	5586609, 5586620	1		
6	21425	STRAP		2		
7	5588101	OIL HOSE ASSEMBLY	5586901	1	14.5"	
7	5588103	OIL HOSE ASSEMBLY	5586903	1	30.0"	
7	5588107	OIL HOSE ASSEMBLY	5586907	1	45.0"	
7	5588109	OIL HOSE ASSEMBLY	5586909	1	28.0"	
8	5588102	OIL HOSE ASSEMBLY	5586902	1	26.5"	K-3968
8	5588105	OIL HOSE ASSEMBLY	5586905	1	21.5"	
8	5588106	OIL HOSE ASSEMBLY	5586906	1	40.0"	
8	5588108	OIL HOSE ASSEMBLY	5586908	1	52.0"	
9	4304076	ELBOW		1	FOR OIL PUMP "A" PORT	
10	4301123	ELBOW		1	FOR OIL PUMP "B" PORT	K-3441
11	X-8C-6109	CAPSCREW		2	3/8"-16X1-1/4"	
12	X-8L-602	CAPSCREW		1	3/8"-16X1-1/2"	
13	X-8C-6109	CAPSCREW		1	3/8"-16X1-1/4"	
14	X-8L-602	CAPSCREW		3	3/8"-16X1-1/2"	
15	X-8C-6111	SCREW		2	3/8"-16X3/4"	
16	K-3902	MOUNTING BRACKET	4304665	1		
17	4304683	BRACKET		1		
18	4303681	HOSE CLAMP		1		



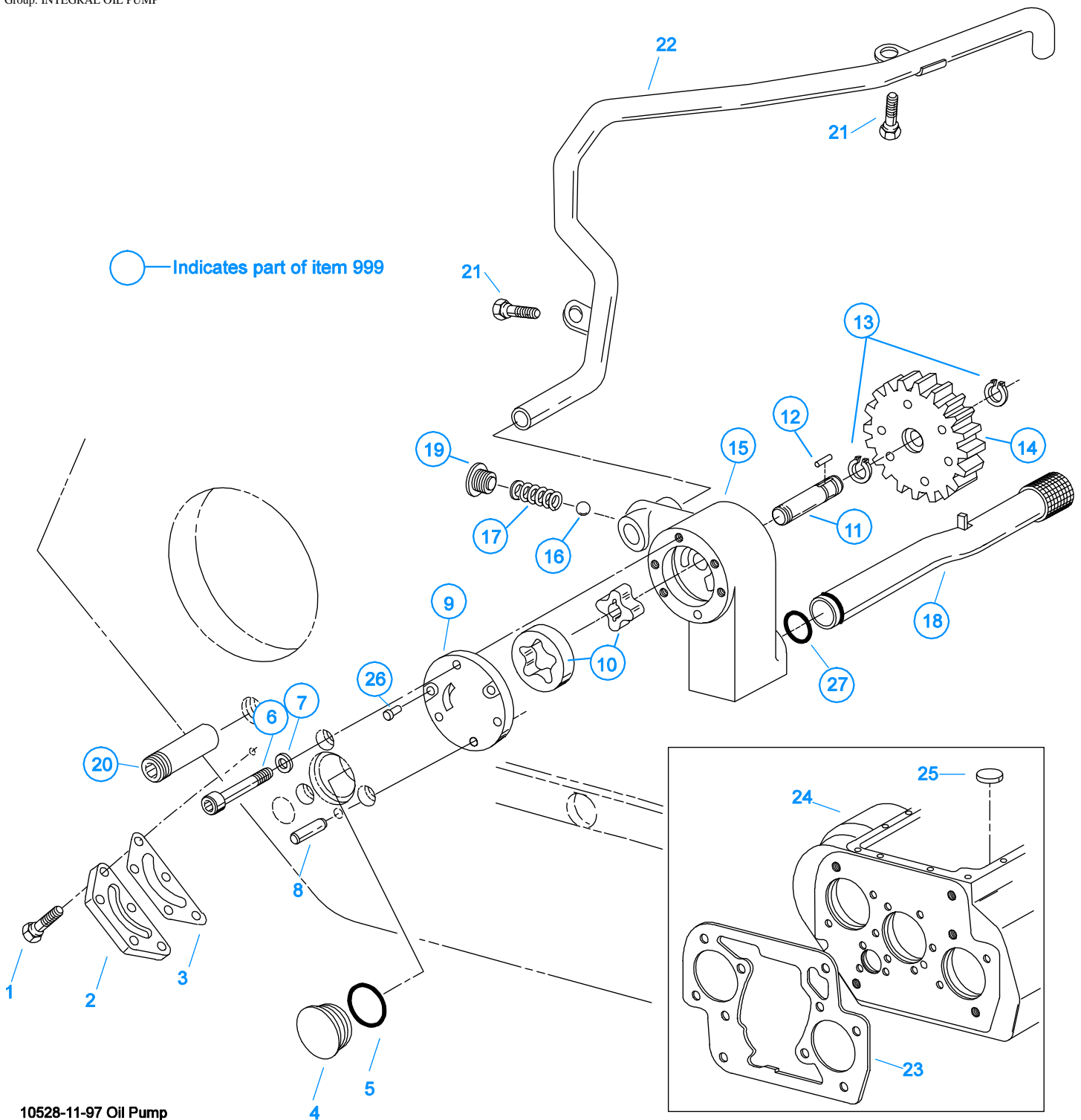
* For Shipping Only -- Do Not Replace

*

10370-1/92 IS

INPUT SHAFT & DRIVE GEAR

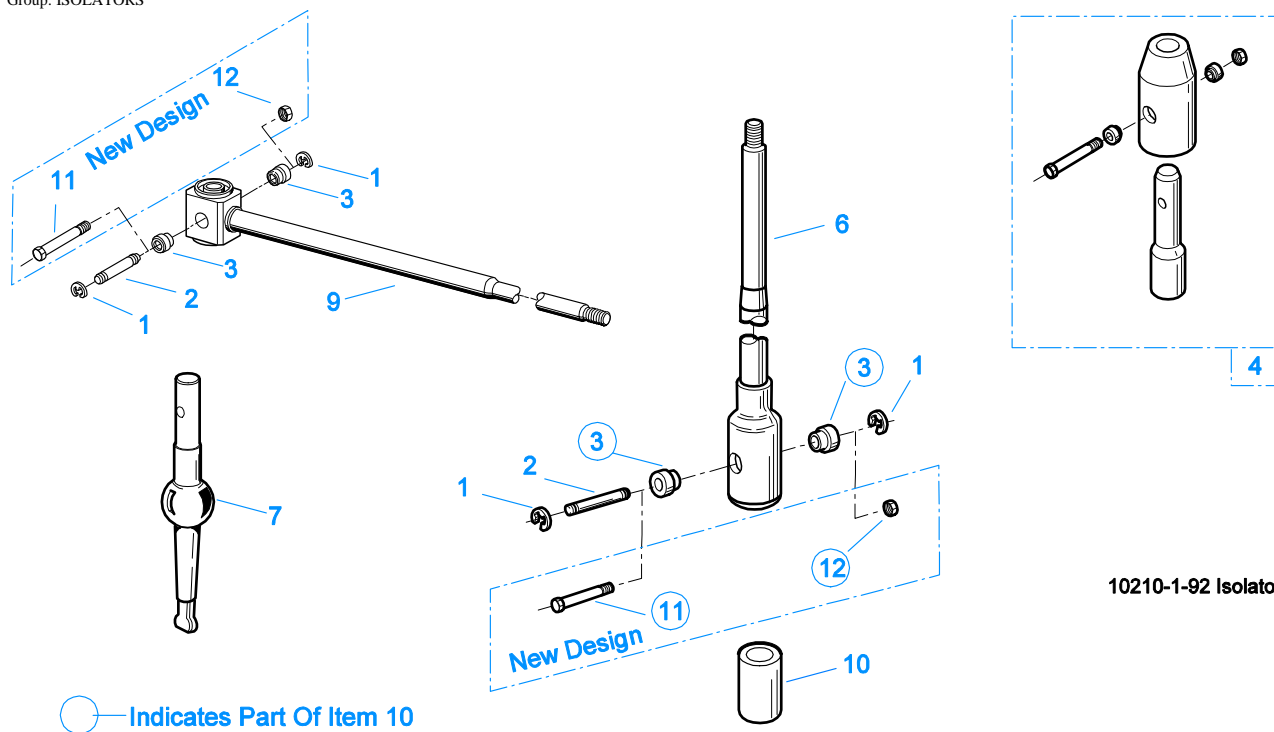
Item	Current Part	Description	Replaced Part	Qty.	Notes	Kits/Assys Where Needed
1	23559	SHIPPING SEAL		1	NOT SOLD FOR SERVICE	
2	16980	SNAP RING		1		K-2468,K-3327,K-3354,K-3355,K-4125
3	81504	BEARING		1		K-2468,K-3354,K-3355,K-4125
4	16463	SPACER		1		
5	14750	SNAP RING		1		K-2468,K-3327,K-3354,K-3355,K-4125
6	4305910	MAIN DRIVE GEAR	4300238, 4305068	1		
8	S-1659	INPUT SHAFT	20535 23566 4302661	1	2" PULL - USE W/FBC 20550	K-2468,K-3354,K-4125
8	S-1660	INPUT SHAFT	20536 ,23567	1	2" PUSH - USE W/FBC 20549	
9	16566	BUSHING		1		K-3355,S-1659,S-1660



INTEGRAL OIL PUMP

Item	Current Part	Description	Replaced Part	Qty.	Notes	Kits/Assys Where Needed
1	X-8C-409	CAPSCREW		5	1/4"-20X5/8"	
2	K-2402	COVER & SCREW KIT	20513 ,4300751	1		
3	20514	GASKET		1		K-2402,K-3288
4	20823	PLUG		1		
5	14765	-O- RING		1		K-3341
6	X-8-448	SCREW	X 8 445	3	1/4"-20X1-1/4"	
7	20824	WASHER		3		K-3367

Item	Current Part	Description	Replaced Part	Qty.	Notes	Kits/Assys Where Needed
8	20825	DOWEL PIN		1		
9	4303773	RETAINER		1		
10	K-3367	OIL PUMP KIT	4301829 ,4301948 ,4303776 ,4304529 ,4304572 A - 6963 ,A - 7173	1		
11	K-3367	OIL PUMP KIT	4301829 ,4301948 ,4303776 ,4304529 ,4304572 A - 6963 ,A - 7173	1		
12	20509	KEY		1		
13	14853	SNAP RING		2		
14	4303774	PUMP DRIVE GEAR	4304880	1		
15	K-3367	OIL PUMP KIT	4301829 ,4301948 ,4303776 ,4304529 ,4304572 A - 6963 ,A - 7173	1		
16	X-14-700	STEEL BALL		1	7/16"	
17	4303775	SPRING		1		
18	4305713	SUCTION TUBE	4304628	1	O-RING INCLUDED ON SUCTION TUBE	K-3367
19	K-3367	OIL PUMP KIT	4301829 ,4301948 ,4303776 ,4304529 ,4304572 A - 6963 ,A - 7173	1		
20	4303828	PLUG		1		K-3367
21	X-8-686	CAPSCREW		2	3/8"-16X3/4"	
22	4305715	SPLITTER LUBE TUBE	A - 7197	1		
23	4306584	CLUTCH HOUSING GASKET	4304815,4305668	1		K-3288
24	S-2128	CASE ASSY	4300898	1		
25	14373	MAGNET		3		S-2128
26	X-8-447	SCREW		2		
27	20225	-O- RING		1		
999	K-3367	OIL PUMP KIT	4301829 ,4301948 ,4303776 ,4304529 ,4304572 A - 6963 ,A - 7173	1		



10210-1-92 Isolator

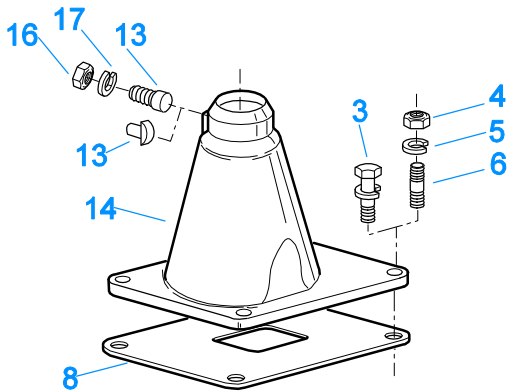
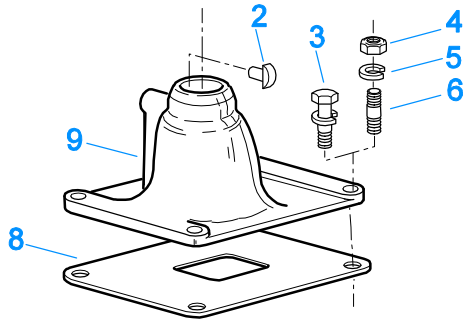
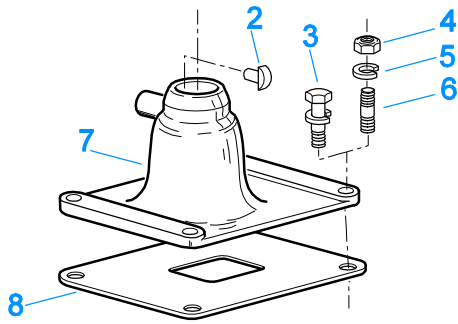
ISOLATORS

Item	Current Part	Description	Replaced Part	Qty.	Notes	Kits/Assys Where Needed
1	19124	-E- RING		2		
2	K-3467	PIN REPLACEMENT KIT	21245	1		
3	21246	BUSHING		2		K-2003,K-2428,K-2429,K-2978,K-3399,S-2129,S-2130,S-2519
4	S-1794	ISOLATOR ASSY		1		
6	21247	LEVER		1	STRAIGHT 18.67"	
7	21235	STUB LEVER		1	LOW TOWER	K-2428,S-1677
7	21236	STUB LEVER		1	HIGH TOWER	K-2429,S-1579,S-2130
7	4301168	STUB LEVER		1	MID TOWER	K-2978
9	21767	90 DEG LEVER		1	STRAIGHT 33"	
10	K-3399	ISOLATOR BUSHING KIT	21244 ,23311	1		
11	X-8-560	SCREW		1		
12	X-9-503	NUT		1		

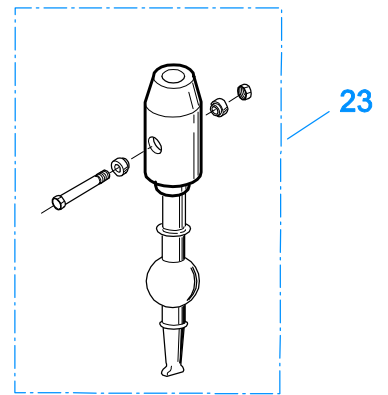
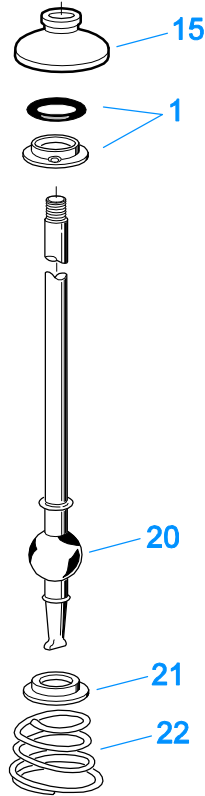
KITS & ASSEMBLIES

Item	Current Part	Description	Replaced Part	Qty.	Notes	Kits/Assys Where Needed
K-1476		SHIFT LEVER HSG	4530 ,17163 ,18298 ,4304905 ,A - 4437	1	LOW TOWER	
K-1698		-O- RING/ELEMENT KIT		1	FOR FILTER REGULATOR	
K-1935		REPAIR KIT-SLAVE VALVE		1	FOR A-5000 VALVE	
K-1956		COOLER INSTLN KIT		1		
K-1969		SLEEVE KIT	14362 ,19460 ,21446	1	FOR SLAVE VALVES	
K-2003		PIN & BUSHING KIT		1		
K-2262		OIL SEAL W/SLINGER	19109 ,20807 ,20808	1	"FOR MECHANICAL COVER"	
K-2394		AIR SYSTEMS TOOL KIT		1		
K-2402		COVER & SCREW KIT	4300751	1		
K-2428		LEVER REPLACEMENT KIT		1	LOW TOWER	
K-2429		LEVER REPLACEMENT KIT		1	HIGH TOWER	
K-2468		CLUTCH INSTALLATION KIT		1	FOR USE WITH S-1659 INPUT SHAFT ASSY AND 81504 INPUT SHAFT BEARING	
K-2805		SHIM KIT	21452 K - 2106	1		K-3354,K-3355,S-2786
K-2808		REPL KIT-DRIVE GEAR	4300932 ,4300938	1		
K-2918		OIL SEAL KIT	4302322 4302323	1	"FOR MAGNETIC COVER"	K-3354,K-3355
K-2934		COUNTERSHAFT REPL KIT	19549	1		
K-2973		SHIFT LEVER HSG KIT	17166 ,17167 ,4303050 ,4304910 ,K - 1630 K - 1941	1	HIGH TOWER	
K-2977		SHIFT LEVER HSG KIT	4301167 ,4304907 ,A - 6040	1	MID TOWER	
K-2978		LEVER REPLACEMENT KIT		1	MID TOWER	
K-3104		ACTUATOR PIN KIT	4303287	1		
K-3191		MASTER VALVE REPAIR KIT		1	FOR A-6918 VALVE	
K-3220		COUNTERSHAFT REPLT KIT	4301792 ,4301793 ,A - 6187 ,A - 6602 ,A - 6603	1		
K-3288		GASKET KIT		1		K-3354,K-3355
K-3327		SMALL PARTS KIT		1		
K-3331		SPLITTER VLV REPL KIT	4300927 ,4304031 ,4304032 ,A - 6862	1		
K-3341		O-RING KIT		1		K-3354,K-3355
K-3354		BASIC OVERHAUL KIT		1		
K-3355		BASIC REBUILD KIT		1		
K-3367		OIL PUMP KIT	4301829 ,4301948 ,4303776 ,4304529 ,4304572 A - 6963 ,A - 7173	1		
K-3376		O-RING & WASHER KIT	4301211	1		
K-3399		ISOLATOR BUSHING KIT	21244 ,23311	1		
K-3454		SPEED SENSOR KIT	A - 6398 ,A - 6724	1	SINGLE PICK-UP (2 PIN)	
K-3455		SPEED SENSOR KIT, DUAL	A - 7046 ,A - 7518	1	DUAL PICK-UP (4 PIN)	
K-3467		PIN REPLACEMENT KIT	21245	1		
K-3492		SYNCHRONIZER KIT	K - 2446	1		
K-3497		SYNCHRONIZER REPLACEMENT KIT	K - 3200	1	SLIDING CLUTCH INCLUDED IN KIT	
K-4125		CLUTCH INSTALLATION KIT (RT), HYDRAULIC RELEASE		1	STANDARD RT INPUT SHAFT AND YOKE FOR HYDRAULIC CLUTCH RELEASE	
S-1404		OIL FILTER	17238	1		
S-1445		SHIFT BAR HSG (X)	20215 ,4302452	1	HOUSING ONLY (X)	
S-1446		SHIFT BAR HSG (XF)	20217 ,21136	1	HOUSING ONLY (XF)	
S-1516		CAP ASSY	20851 ,20853	1		
S-1527		SHIFT BAR HSG ASSY (X)	20215 ,4302452	1	COMPLETE (X)	
S-1528		SHIFT BAR HSG ASSY (XF)	20217 ,21136	1	COMPLETE (XF)	
S-1659		INPUT SHAFT	23566	1	2" PULL - USE W/FBC 20550	K-2468,K-3354,K-4125
S-1660		INPUT SHAFT	23567	1	2" PUSH - USE W/FBC 20549	
S-1794		ISOLATOR ASSY		1		

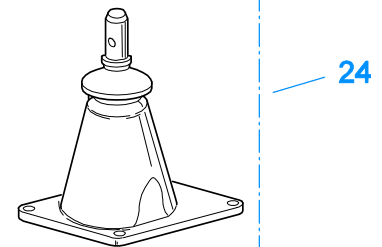
Item	Current Part	Description	Replaced Part	Qty.	Notes	Kits/Assys Where Needed
S-2128		CASE ASSY	4300898	1		
S-2129		SHIFT LEVER HSG ASSY		1	LOW TOWER	
S-2130		SHIFT LEVER HSG ASSY	S - 2053	1	HIGH TOWER	
S-2501		SPEEDO ROTOR ASSY	4302242	1	MAGNETIC	
S-2502		REAR BRG COVER ASSY	4303604 ,4305827	1	MECHANICAL - 4:00 OPENING	
S-2503		SPEEDO SPACER ASSY	4302590	1		
S-2519		SHIFT LEVER HSG ASSY	S - 2919	1	MID TOWER	
S-2588		ROADRANGER VALVE ASSY		1		
S-2786		RANGE SECTION ASSY		1		
S-2786R		REMAN RANGE SECTION ASSY		1		
S-2809		REAR BEARING COVER ASSY	4302332 ,4303872 ,4304652 ,4305830	1	PUSH-IN/THREAD-IN MAGNETIC PICK-UP	
S-2859		REAR BRG COVER ASSY	4302732 ,4305826	1	MECHANICAL - 6:00 OPENING	
S-3108		MAINSHAFT ASSY	4303402,4303403,S-2562,S-3101	1		



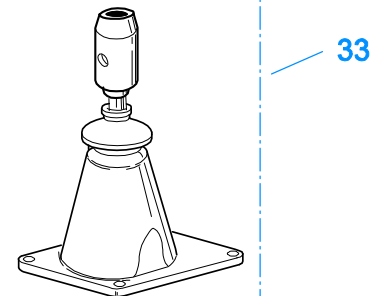
10207-9-95



K-2428 - Low
K-2978 - Mid
K-2429 - High



S-1677 - Low
S-1967 - Mid
S-1579 - High

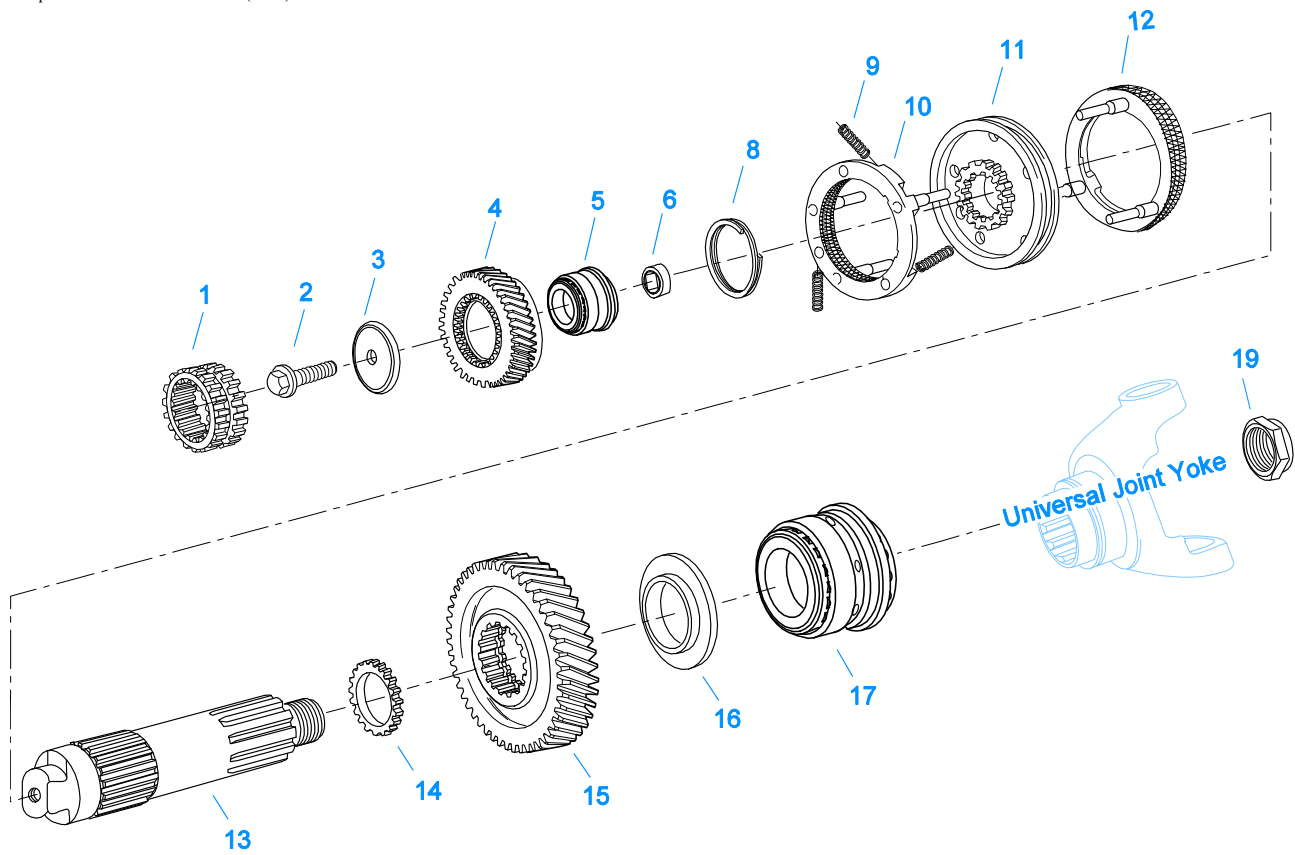


S-2129 - Low
S-2519 - Mid
S-2130 - High

LEVERS/HOUSINGS

Item	Current Part	Description	Replaced Part	Qty.	Notes	Kits/Assys Where Needed
1	K-3376	O-RING & WASHER KIT	4301211	1		
2	18299	PIN		1		
3	X-8C-604	CAPSCREW		4	3/8"-16X1-1/4"	K-1476,K-2977,S-1677 K-3956,K-3959,K-3967,K-3968,K-3972,S-1445,S-1446,S-1527,S-1528
4	X-1-600	NUT		4	3/8"-24-N.F.PLAIN	
5	X-3-600	LOCKWASHER		4	3/8"	
6	11934	STUD	7467	4		
7	K-1476	SHIFT LEVER HSG	4530 ,17163 ,18298 ,4304905 ,A - 4437	1	LOW TOWER	

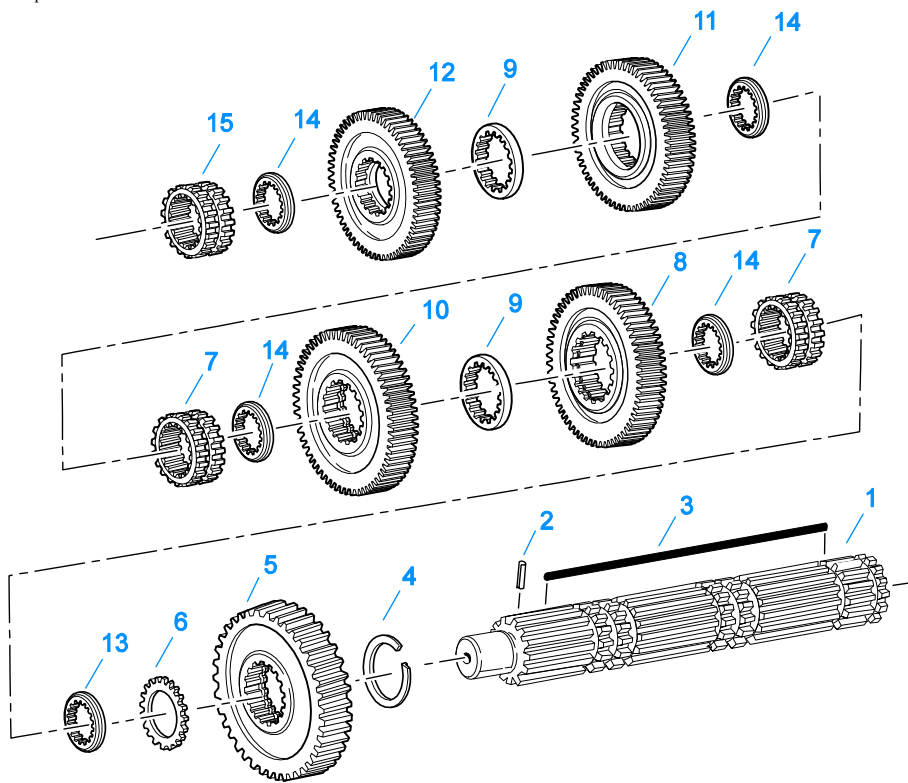
Item	Current Part	Description	Replaced Part	Qty.	Notes	Kits/Assys Where Needed
8	4305294	GASKET	4303431	1		K-1476,K-2428,K-2429,K-2973,K-2977,K-2978,K-3288,S-1527,S-1528,S-1579,S-1677,S-1967,S-2129,S-2130,S-2519
9	K-2977	SHIFT LEVER HSG KIT	4301167 ,4304907 ,A - 6040	1	MID TOWER	
13	4303030	PIN		1		K-2973,S-1579,S-2130
13	6541	PIN		1	3/8" - USED W/17167 ONLY	
14	K-2973	SHIFT LEVER HSG KIT	17166 ,17167 ,4303050 ,4304910 ,K - 1630 K - 1941	1	HIGH TOWER	
15	10427	BOOT		1		K-1476,K-2973,K-2977,S-1579,S-1677,S-2130
16	X-1-600	NUT		1	3/8"-24-N.F.PLAIN	
17	X-3-600	LOCKWASHER		1	3/8"	
20	17600	GEAR SHIFT LEVER		1	STRAIGHT - LOW 21-1/2"	
20	18482	GEAR SHIFT LEVER		1	STRAIGHT - HIGH 35"	
21	2538	RETAINER		1		K-1476,K-2973,K-2977,S-1579,S-1677,S-2130
22	2536	SPRING		1		K-1476,K-2973,K-2977,S-1579,S-1677,S-2130
23	K-2428	LEVER REPLACEMENT KIT		1	LOW TOWER	
23	K-2429	LEVER REPLACEMENT KIT		1	HIGH TOWER	
23	K-2978	LEVER REPLACEMENT KIT		1	MID TOWER	
24	S-1579	SHIFT TOWER ASSY		1	HIGH TOWER	
24	S-1677	SHIFT TOWER ASSY		1	LOW TOWER	
24	S-1967	SHIFT TOWER ASSY		1	MID TOWER	
33	S-2129	SHIFT LEVER HSG ASSY		1	LOW TOWER	
33	S-2130	SHIFT LEVER HSG ASSY	S - 2053	1	HIGH TOWER	
33	S-2519	SHIFT LEVER HSG ASSY	S - 2919	1	MID TOWER	



10438A-08-01

MAINSHAFT & SYNCHRO(AUX)

Item	Current Part	Description	Replaced Part	Qty.	Notes	Kits/Assys Where Needed
1	4300907	SLIDING CLUTCH		1		
2	X-7-1007	SCREW		1	5/8"-18X1-3/4"	
3	4301843	RETAINER		1		
4	4303422	SPLITTER GEAR	4303421 ,4303423	1		
5	4300902-BOX	TAPERED ROLLER BRG	4300902	1		K-3354,K-3355
6	4301844	BEARING SLEEVE		1		
8	4303424	SNAP RING		1		K-3354,K-3355
9	14897	SPRING		3		K-3327,K-3354,K-3355,K-3492,K-3497
10	A-7331	SYNCHRONIZER ASSY	4304396 4304397 A - 5917	1	HI RANGE	K-3492,K-3497
11	4301840	SLIDING CLUTCH	4303386	1		K-3497
12	A-7254	SYNCHRONIZER ASSEMBLY	A - 4937 A - 5876	1	LO RANGE	K-3492,K-3497
13	4303705	MAINSHAFT		1		
14	4301842	WASHER		1		
15	4301795	REDUCTION GEAR	4301794	1		
16	4300912	SPACER		1		
17	5556503-BOX	BEARING	5556503	1		K-3354,K-3355
19	K-4122	HEX FLANGE CRIMPED NUT KIT	4302321,4306520	1		K-3327



10337B-10-96

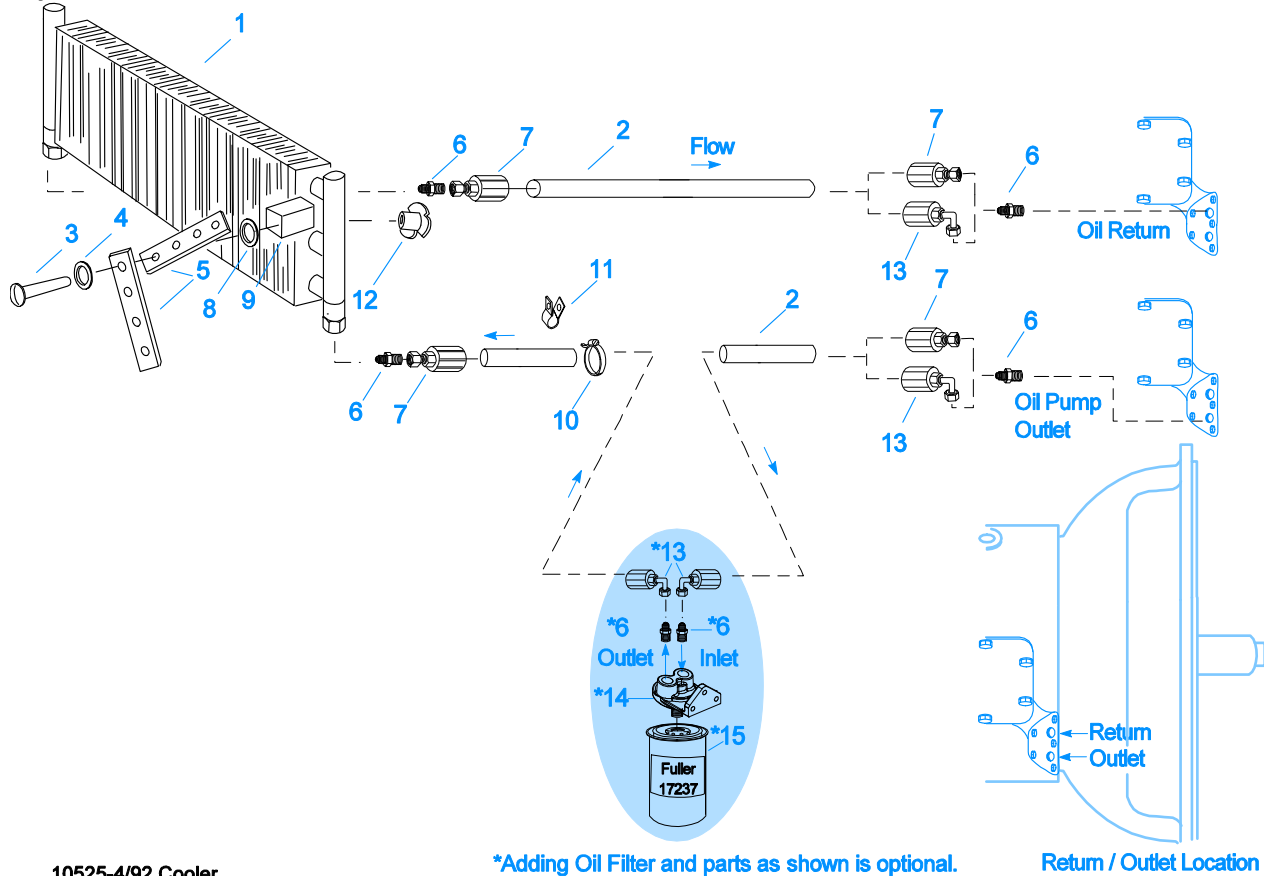
MAINSHAFT ASSY

Item	Current Part	Description	Replaced Part	Qty.	Notes	Kits/Assys Where Needed
1	S-3108	MAINSHAFT ASSY	4303402, 4303403, S-2562,S-3101	1		
2	62504	ROLL PIN		1		S-3108
3	4304615	3-SIDED KEY	4300120	1		
4	14750	SNAP RING		1		K-2468,K-3327,K-3354,K-3355,K-4125
5	16756	REVERSE GEAR-MAINSHAFT	22408	1		
6	4302047	SPACER		1		K-3327
7	16118	SLIDING CLUTCH		2		
8	4303409	LO GEAR-MAINSHAFT	4303407	1		
9	4303603	WASHER	4302397	2		K-3327
10	4303420	1ST GEAR-MAINSHAFT	4303408	1		
11	4302394	2ND GEAR-MAINSHAFT	4302395	1		
12	4302393	OD GEAR-MAINSHAFT	4305070	1		
13	4300382	WASHER .249-WHITE		1		K-3327
14	4302398	WASHER		4		K-3327
15	4304317	SLIDING CLUTCH	22026	1		K-3354

MISCELLANEOUS

Item	Current Part	Description	Replaced Part	Qty.	Notes	Kits/Assys Where Needed
21628		SHIFT DIAGRAM LABEL	4300591	1		
71203		SILICONE LUBE		1	8 OZ (236.59 CC)-FLEET SIZE	
71204		ADHESIVE SEALANT		1	0.5 CC (SINGLE APPLICATION SIZE)	
71205		SEALANT		1	2 CC (SINGLE APPLICATION SIZE)	K-3354
71206		SILICONE LUBE		1	4 CC (SINGLE APPLICATION SIZE)	K-2428,K-2429,K-2978,K-3331,K-3341

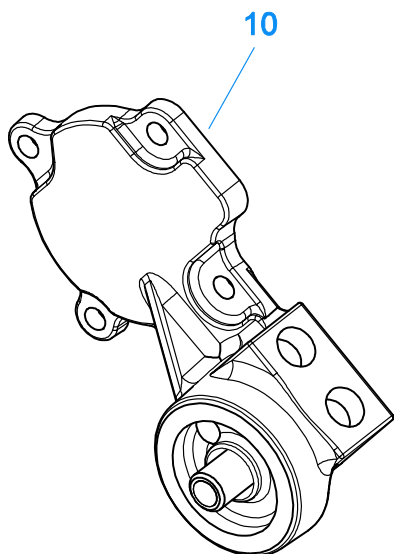
Group: OIL COOLER



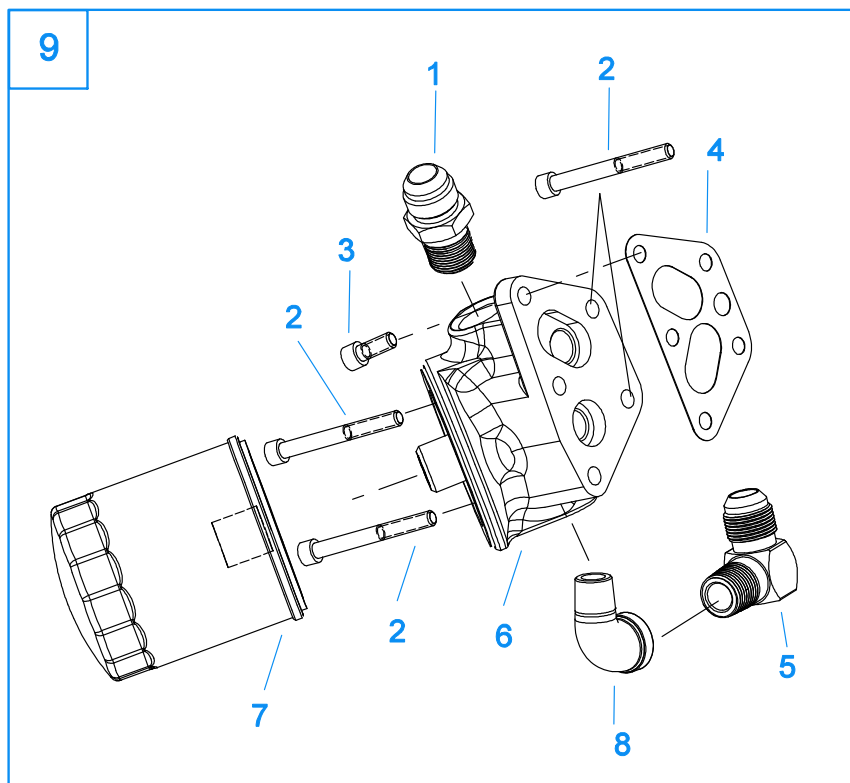
10525-4/92 Cooler

OIL COOLER

Item	Current Part	Description	Replaced Part	Qty.	Notes	Kits/Assys Where Needed
1	18025	OIL COOLER		1		K-1956
2	19424	HOSE		1	25 FEET	K-1956
3	X-8-535	CAPSCREW		2	5/16"-16X2-1/2"	
4	X-3-506	LOCKWASHER		2	5/16"	
5	18211	BRACKET		4		K-1956
6	19419	CONNECTOR		6		K-1956,K-3441,S-1404
7	19415	SWIVEL		4		K-1956
8	X-10-501	WASHER		2	5/16"	
9	18209	PLUG-RUBBER MOUNT		2		K-1956
10	17190	STRAP		8		K-1956
11	19423	CLAMP		5		K-1956
12	18210	NUT		2		K-1956
13	19422	ELBOW		4		K-1956
14	S-1404	OIL FILTER	17238	1		
15	17237	FILTER ELEMENT		1		S-1404

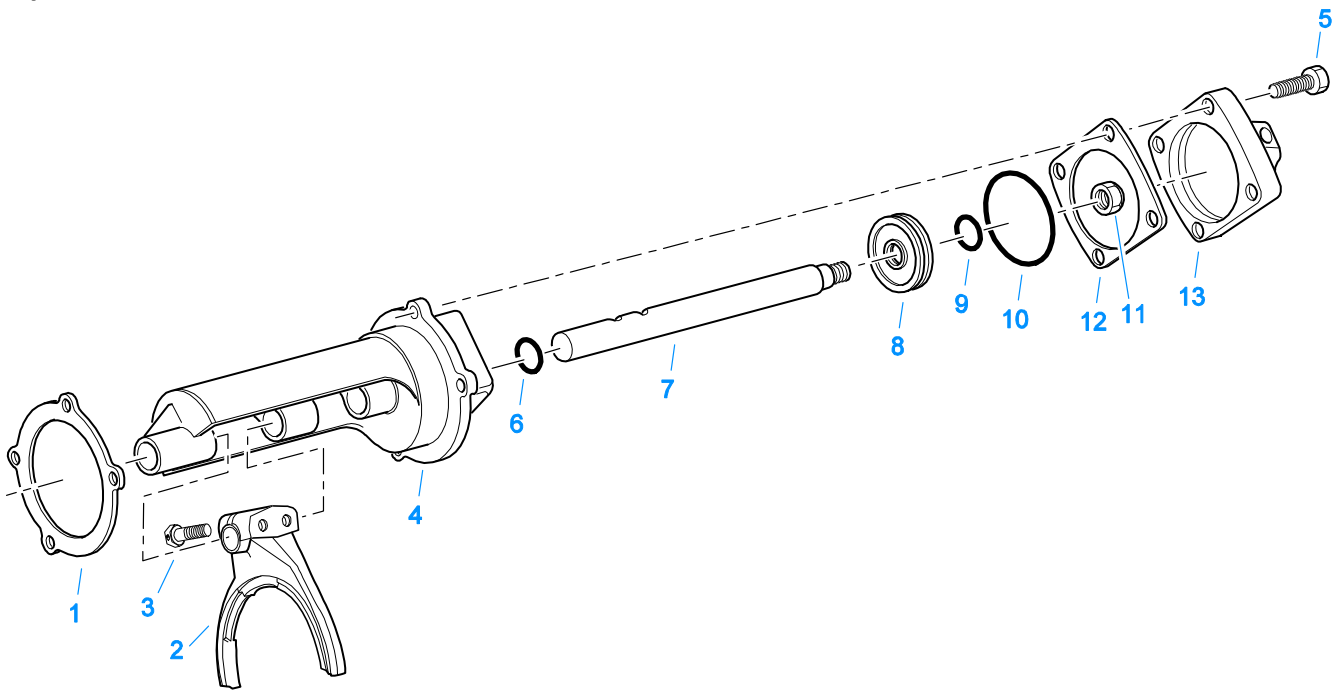


10539-3-00



OIL FILTER

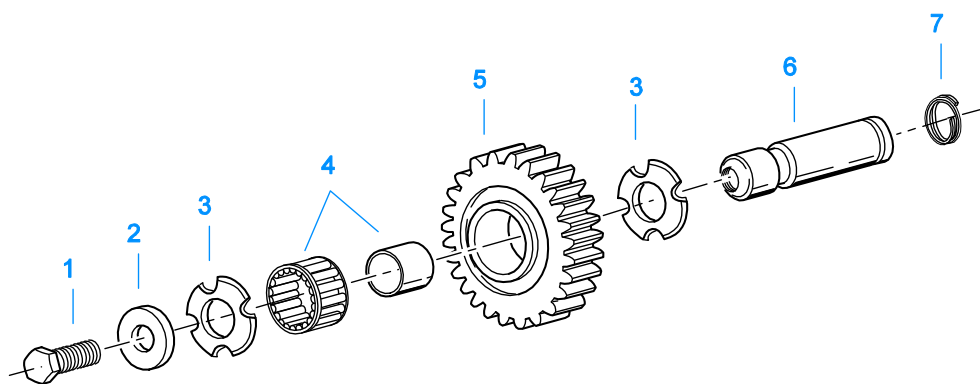
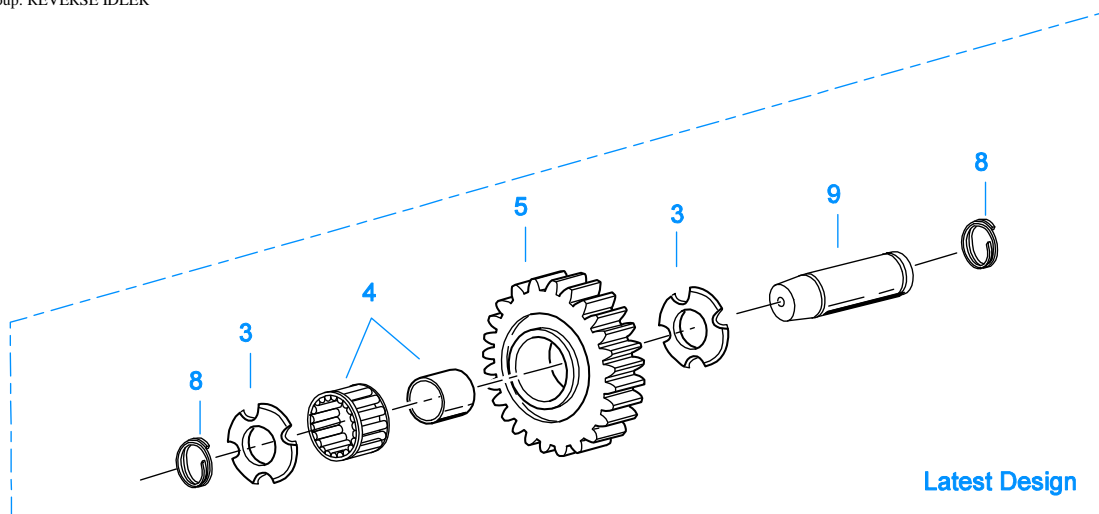
Item	Current Part	Description	Replaced Part	Qty.	Notes	Kits/Assys Where Needed
1	19419	CONNECTOR		1		K-1956,K-3441,S-1404
2	X-8-453	SCREW		4		K-3441
3	X-8-452	SCREW		1		K-3441
4	4304820	GASKET		1		K-3441
5	4301123	ELBOW		1		K-3441
6	K-3441	OIL FILTER/ADAPTER KIT	A - 7174	1		
7	4304827	OIL FILTER ELEMENT		1		K-3441
8	17007	ELBOW		1		K-3441
9	K-3441	OIL FILTER/ADAPTER KIT		1		
10	A-7300	AUX COUNTERSHAFT COVER ASSY		1		



11462-5-98

RANGE CYLINDER

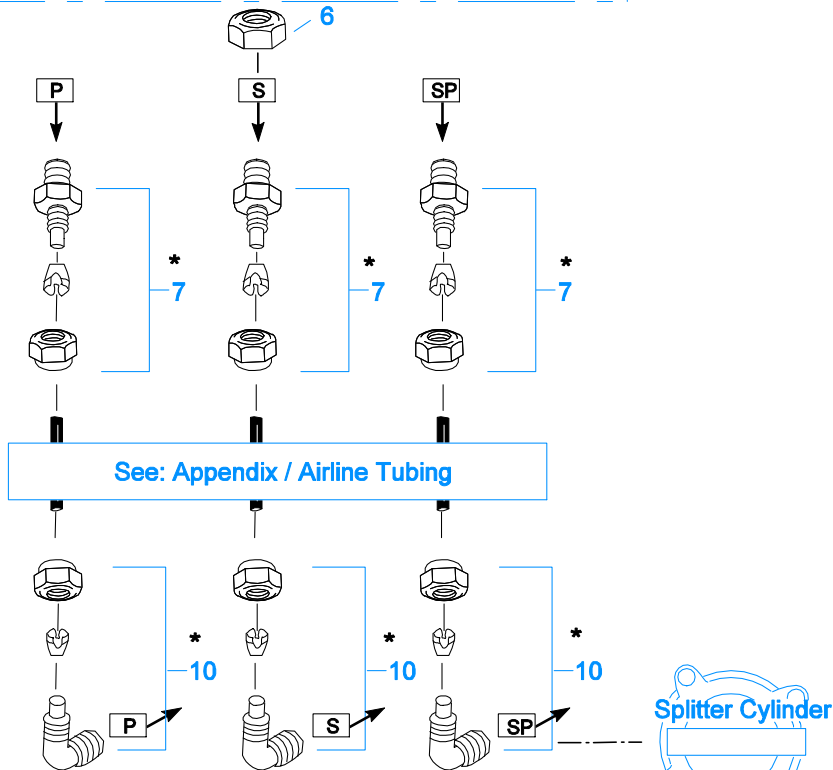
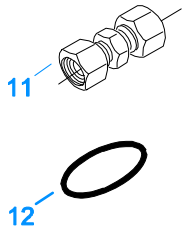
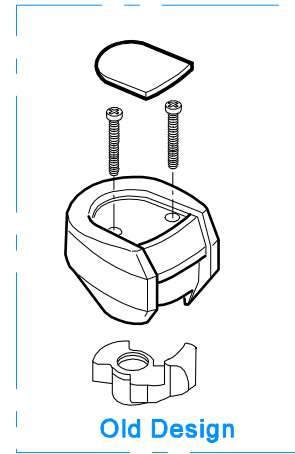
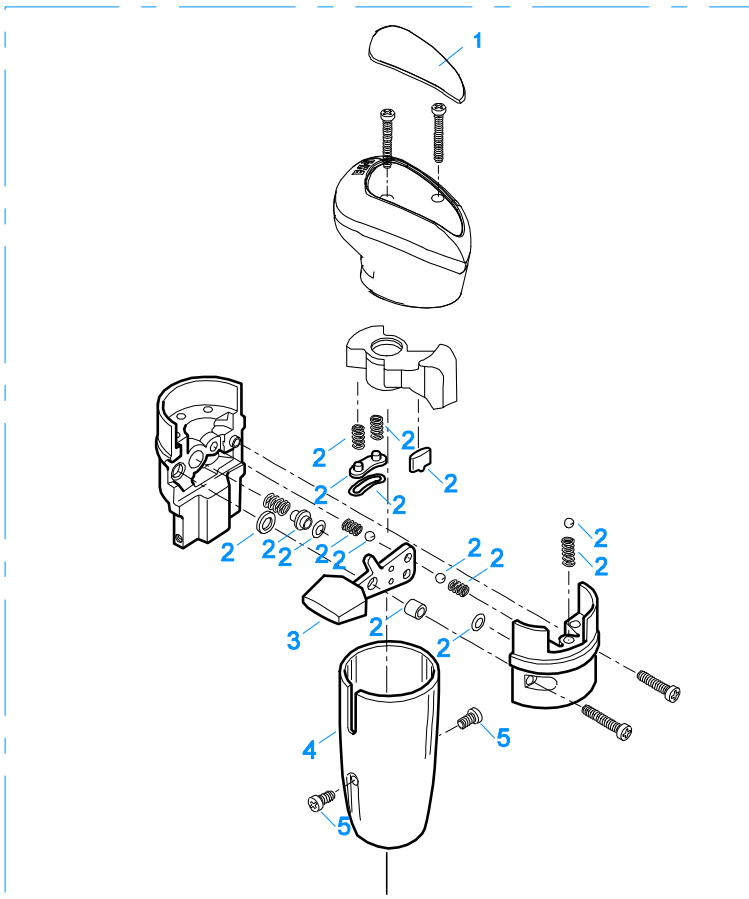
Item	Current Part	Description	Replaced Part	Qty.	Notes	Kits/Assys Where Needed
1	14347	GASKET		1		K-3288,K-3341
2	22823	SHIFT YOKE	16775	1		
3	X-7-809	BOLT	X 7 810 ,X 7 811	2	1/2"-20X1-3/4"	
4	A-6690	RANGE CYLINDER ASSY	4303595	1		
5	X-8L-607	CAPSCREW	X 8 607	4	3/8"-16X2-1/4", 3/8"-16X2-1/4"	
6	14765	-O- RING		1		K-3341
7	4303596	YOKE BAR		1		
8	14341	PISTON	23353	1		
9	14345	-O- RING		1		K-3341
10	14344	-O- RING		1		K-3341
11	X-1-1010	NUT		1	5/8"-18	
12	22826	GASKET		1		K-3288,K-3341
13	4303926	COVER		1		



11382-3-97 RI

REVERSE IDLER

Item	Current Part	Description	Replaced Part	Qty.	Notes	Kits/Assys Where Needed
1	X-7-1008	CAPSCREW		2	5/8"-18X1-1/4	
2	14283	WASHER		2		
3	4302982	WASHER	14282	4		K-3209,S-2128
4	14287	BEARING	4305020	2		K-3354,K-3355
5	16757	REVERSE IDLER GEAR	22409	2		
6	K-3209	IDLER SHAFT REPL KIT	16405 ,4302981 ,4305513	2		
7	4303336	RETAINING RING		2		K-3209
8	4303336	RETAINING RING		4		K-3209
9	4305513	IDLER SHAFT		2		K-3209

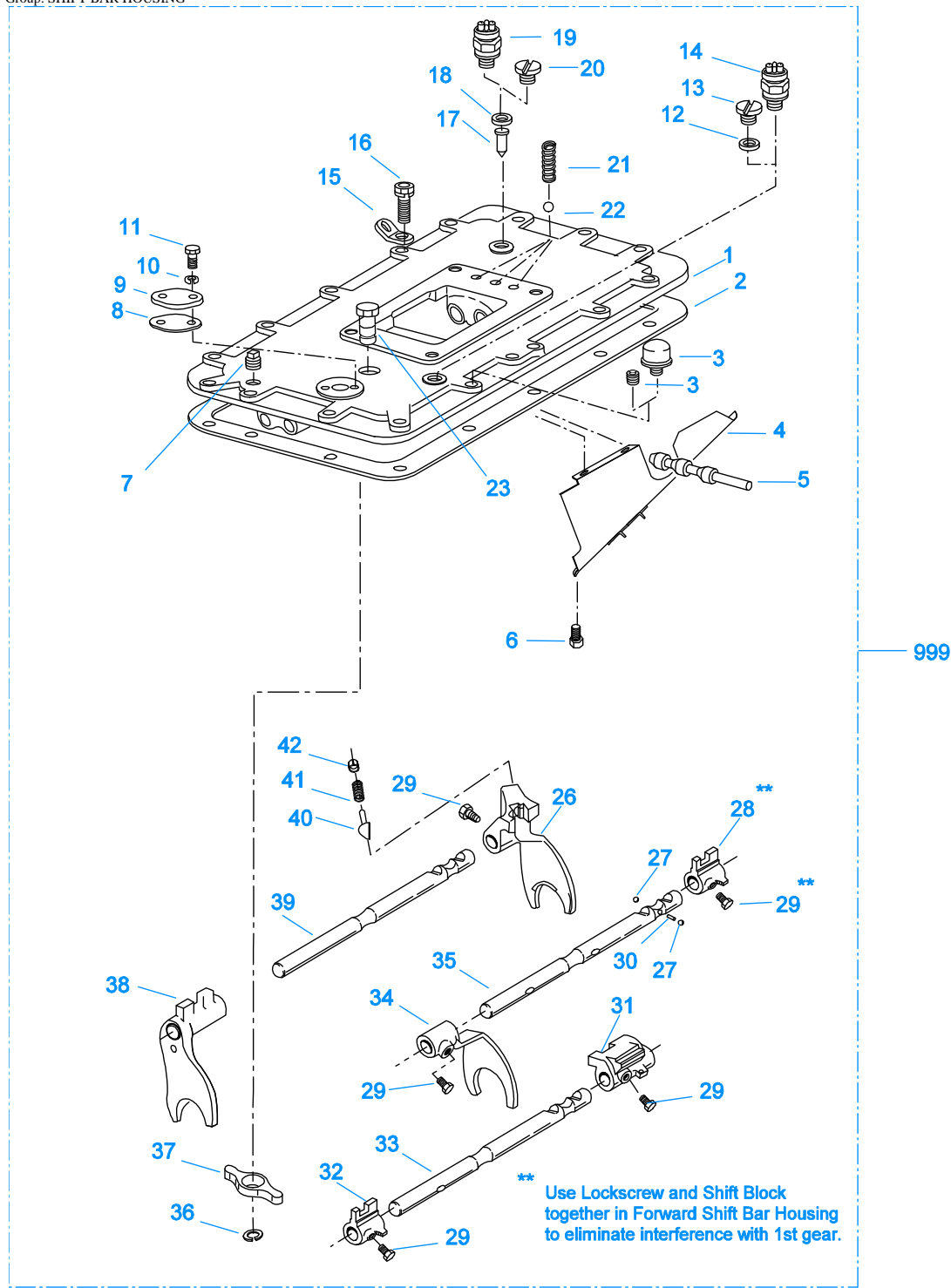


10103B-5-98 RRV - 3

*For Connector and Elbow Assy component information see Appendix.

ROADRANGER VALVE

Item	Current Part	Description	Replaced Part	Qty.	Notes	Kits/Assys Where Needed
1	5586100	MEDALLION, LOGO		1	(LATEST DESIGN) FULLER LOGO ONLY	A-6918
1	5586114	SHIFT DIAGRAM MEDALLION		1	RTLO-W/SHIFT PATTERN	S-2588
2	K-3191	MASTER VALVE REPAIR KIT		1	FOR A-6918 VALVE	
3	20495	LEVER		1		A-6918
4	20112	COVER		1		A-6918
5	X-8-213	SCREW	X 8 202	1	8-32X3/8"	
6	X-9-802	NUT		1	1/2"-13	
7	84001	CONNECTOR ASSY	82501	3	1/8" TUBE-1/16" NPTF	
7	84003	CONNECTOR ASSY	82503	3	5/32" TUBE-1/16" NPTF	
7	84005	CONNECTOR ASSY		3	"PUSH-TO-CONNECT" 5/32" TUBE-1/16" NPTF	S-2588
10	85001	ELBOW ASSY	84501	3	5/32" TUBE-1/8" NPTF	
10	85002	ELBOW ASSY	84502	3	1/8" TUBE-1/8" NPTF	
10	85003	ELBOW ASSY		3	"PUSH-TO-CONNECT" 5/32" TUBE-1/8" NPTF	K-3331, K-3354
11	84101	UNION ASSY		1	1/8" TUBING	
11	84102	UNION ASSY		1	5/32" TUBING	
11	84103	UNION ASSY		1	"PUSH-TO-CONNECT" 5/32" TUBING	
12	13571	-O- RING CLAMP		2		
999	A-6918	ROADRANGER VALVE ASSY	A - 5013	1	STANDARD-W/LOGO	
999	S-2588	ROADRANGER VALVE ASSY		1	RTLO-W/SHIFT PATTERN	

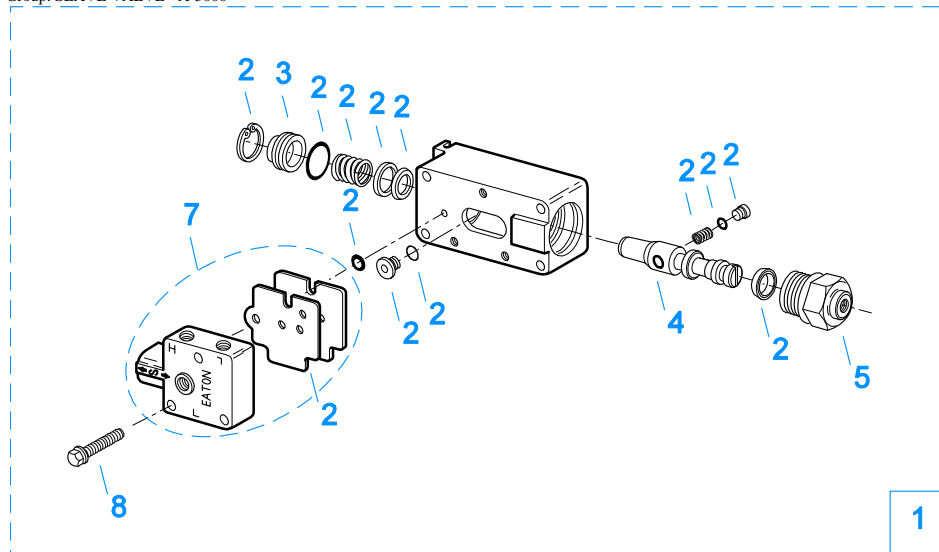


10253-11-96 X-Forward

SHIFT BAR HOUSING

Item	Current Part	Description	Replaced Part	Qty.	Notes	Kits/Assys Where Needed
1	S-1446	SHIFT BAR HSG	18925 ,20136 ,20216 ,20217 ,20488 21136 ,S - 1361	1	HOUSING ONLY (XF)	
2	4302676	GASKET	14918	1		K-3288,S-1527,S-1528
3	4304602	BREATHER	23605	1	1/4" NPT	
3	X-12-404	PIPE PLUG		1	1/4" NPT	
4	20070	OIL TROUGH		1		S-1527,S-1528

Item	Current Part	Description	Replaced Part	Qty.	Notes	Kits/Assys Where Needed
5	20332	AIR VALVE SHAFT	17177	1		S-1527,S-1528
6	X-8-423	CAPSCREW		2	1/4"-20X1/2"	
7	X-12-603	PIPE PLUG	X12 602	1	3/8" NPT	
8	20209	GASKET		1		K-3288,S-1445,S-1446,S-1527,S-1528
9	20199	PLATE	18724	1		S-1445,S-1446,S-1527,S-1528
10	X-3-400	LOCKWASHER		2	1/4"	
11	X-8-406	CAPSCREW		2	1/4"-20X3/4"	
12	17179	GASKET		1		S-1445,S-1446,S-1527,S-1528
13	4303655	PLUG	17178	1		S-1445,S-1446,S-1527,S-1528
14	22941	NEUTRAL LIGHT SWITCH	12639	1	SWITCH NORMALLY CLOSED	
15	20815	LIFTING EYE	17105	2		S-2786
16	X-8L-602	CAPSCREW		2	3/8"-16X1-1/2"	
16	X-8L-604	CAPSCREW		16	3/8"-16X1-1/4"- OR USE 14 PCS OF X-8L-604 WITH 2 PCS OF X-8L-602	
17	15899	PIN		1		S-1445,S-1446,S-1527,S-1528
18	15900	GASKET		1		S-1445,S-1446,S-1527,S-1528
19	22940	REVERSE LIGHT SWITCH	16830	1	SWITCH NORMALLY OPEN	
20	4303656	PLUG	15917	1		S-1445,S-1446,S-1527,S-1528
21	15918	SPRING		3		K-3327,K-3354,S-1527,S-1528
22	X-14-800	STEEL BALL		3	1/2"	
23	K-3104	ACTUATOR PIN KIT	4303287	1		
26	16338	SHIFT YOKE		1	REVERSE/LO	S-1528
27	X-14-1200	STEEL BALL		2	3/4"	
28	15770	SHIFT BLOCK		1	1ST/2ND	S-1528
29	22943	LOCKSCREW		1	USE W/15770 SHIFT BLOCK	S-1528
29	3220	LOCKSCREW		4		S-1527,S-1528
30	1634	INTERLOCK PIN		1		K-3327,S-1527,S-1528
31	19062	SHIFT BLOCK		1	3RD/OD	S-1528
32	20120	SHIFT BLOCK	18924	1	3RD/OD	S-1527,S-1528
33	18931	YOKE BAR	4302759	1	3RD/OD	S-1528
34	18922	SHIFT YOKE		1	1ST/2ND	S-1527,S-1528
35	18930	YOKE BAR		1	1ST/2ND	S-1528
36	4302070	SNAP RING		1		K-3104,S-1527,S-1528
37	4303225	ACTUATOR		1		S-1527,S-1528
38	4305575	SHIFT YOKE	20450	1	3RD/OD	S-1527,S-1528
39	18929	YOKE BAR		1	REVERSE/LO	S-1528
40	10019	PLUNGER		1		S-1527,S-1528
41	6392	SPRING		1		K-3327,S-1527,S-1528
42	8968	PLUG		1		S-1527,S-1528
999	S-1528	SHIFT BAR HSG ASSY	20217 ,21136	1	COMPLETE (XF)	

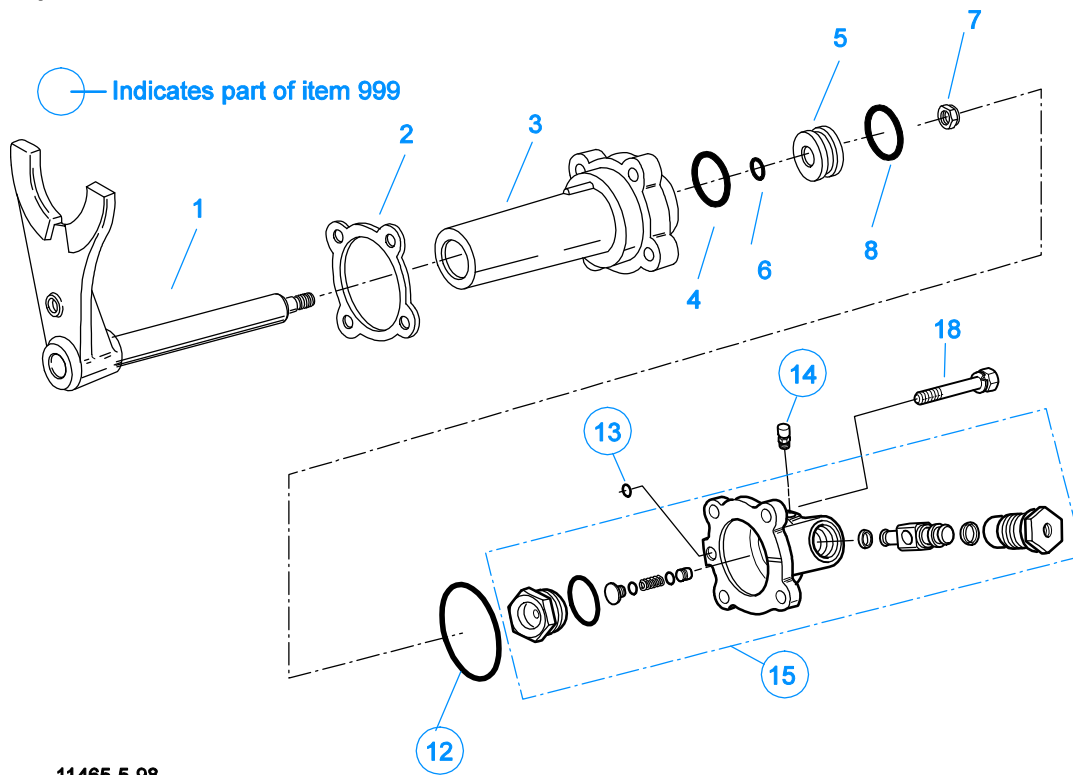


2 Repair Kit

10120-10-97 A-5000 SV

SLAVE VALVE - A-5000

Item	Current Part	Description	Replaced Part	Qty.	Notes	Kits/Assys Where Needed
1	A-5000	SLAVE VALVE ASSY	20850	1		
2	K-1935	REPAIR KIT-SLAVE VALVE		1	FOR A-5000 VALVE	
3	20855	PLUG		1		A-5000
4	20854	PISTON		1		A-5000
5	20849	CAP	15131	1		A-5000
7	S-1516	CAP ASSY	20851 ,20853	1		
8	X-8C-413	CAPSCREW		3	1/4"-20X1-1/2"	



11465-5-98

SPLITTER CYLINDER

Item	Current Part	Description	Replaced Part	Qty.	Notes	Kits/Assys Where Needed
1	A-7012	SPLITTER YOKE ASSY	A - 6304 ,A - 6892	1		
2	4303583	GASKET		1		K-3288,K-3341
3	4303582	SPLITTER CYLINDER		1		
4	21208	-O- RING		1		K-3341
5	4301964	PISTON		1		
6	13653	-O- RING		1		K-3331,K-3341
7	X-1-805	NUT		1		
8	21209	-O- RING		1		K-3341
12	5568534	-O- RING		1		K-3331,K-3341
13	13653	-O- RING		1		K-3331,K-3341
14	X2014210	BREATHER	7935	1		
15	K-3331	SPLITTER VLV REPL KIT	4300927 ,4304031 ,4304032 ,A - 6862	1		
18	X-8L-540	CAPSCREW		4	5/16"-18X1-7/8"	
999	K-3331	SPLITTER VLV REPL KIT	4300927 ,4304031 ,4304032 ,A - 6862	1		