



Eaton Fuller RTLOF-16713A Transmission Parts Manual


This is Eaton Fuller RTLOF-16713A Transmission parts manual brought to you by Pro Gear and Transmission to assist you identifying the parts for your Eaton / Fuller transmission unit.


If you need any assistance identifying the correct Eaton / Fuller unit for your truck and equipment, contact your Eaton replacement parts specialists at Pro Gear and Transmission.

Pro Gear stocks every part for your Eaton transmission including: Valve Assemblies, Synchronizers, Yoke Assemblies, O-Ring Kits, Drive Gears, Gaskets, Bearing and Seal Kits, and much more.


Pro Gear and Transmission has same day shipping and thousands of products in stock and ready to ship internationally for your next project.

For parts or service contact the Eaton transmission specialists at Pro Gear & Transmission, Inc.

 CALL US

 EMAIL US

 VISIT MODEL PAGE

 VISIT ONLINE STORE



Roadranger®

More time on the road®

Illustrated Parts List

RTLOF-16713A
July 2011

Contents

How To Use The Illustrated Parts List	3
AUXILIARY DRIVE GEAR.....	4
CASE (AUX)	5
CASE (FRONT)	7
COUNTERSHAFT & BRGS(AUX).....	9
COUNTERSHAFT ASSY	10
FILTER REGULATOR.....	11
H & C W/A-5000 VALVE.....	12
INPUT SHAFT & DRIVE GEAR	13
INT OIL PUMP/CURRENT.....	14
INT OIL PUMP/NON-CURRENT.....	16
ISOLATORS	18
KITS & ASSEMBLIES	19
LEVERS/HOUSINGS	21
MAINSHAFT & SYNCHRO(AUX).....	23
MAINSHAFT ASSY	24
MISCELLANEOUS	26
NON-SELECTIVE M/S ASSY	27
OIL COOLER.....	28
OIL FILTER	29
RANGE CYLINDER.....	30
REVERSE IDLER.....	31
ROADRANGER VALVE	34
SHIFT BAR HOUSING	35
SLAVE VALVE - A-5000.....	37
SPLITTER CYLINDER	38

How To Use The Illustrated Parts List

The information contained in this document is subject to frequent updates. Therefore, for the latest information available, please visit the interactive Electronic Parts Catalog at www.roadranger.com/epc.

Model Designation or Nomenclature

- For information regarding Model Designation and Nomenclature, visit www.roadranger.com.

Kits and Assemblies (K/A's)

- Kits and Assemblies contain groups of individual or assembled parts developed for optimal replacement or repair of a service problem.
- Kits and Assemblies are shown with applicable parts groupings in the parts listings.

Identifying Kits and Assemblies

A- Part numbers beginning with the letter 'A' are pre-assembled Production Assemblies

K- Part numbers beginning with the letter 'K' are kits that are not assembled

S- Part numbers beginning with the letter 'S' are pre-assembled Service Assemblies

- Note: Some Production Assemblies do not begin with a letter prefix (Midrange only).

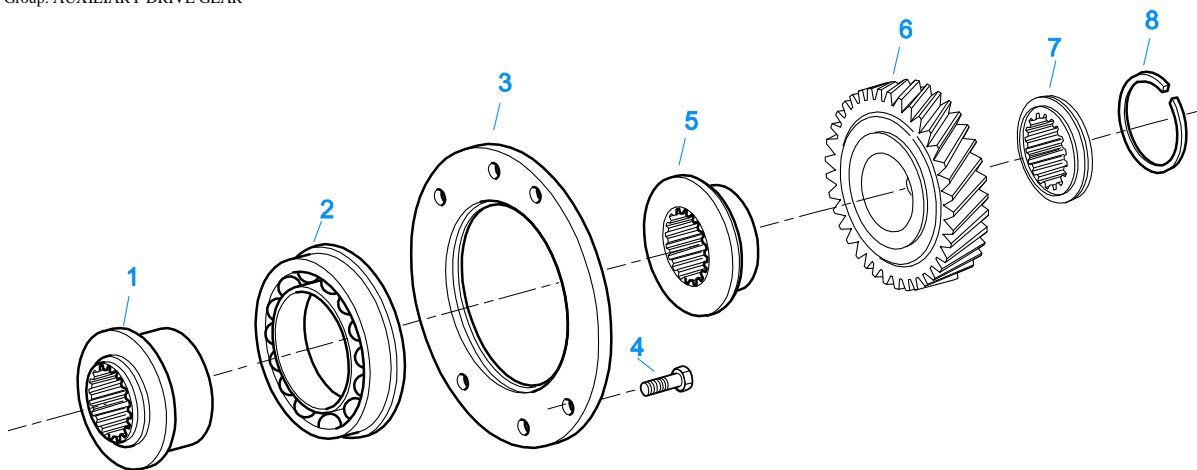
Illustrations

- Illustrations show parts in assembly groups.
- Item numbers on illustrations correspond with parts listings on pages adjacent to the illustration.
- Notes are included on illustrations where additional information is needed.

Parts Listing

Parts listings are defined by parts groupings and are broken down by service assemblies. Parts listings identify a part for servicing with the following categories

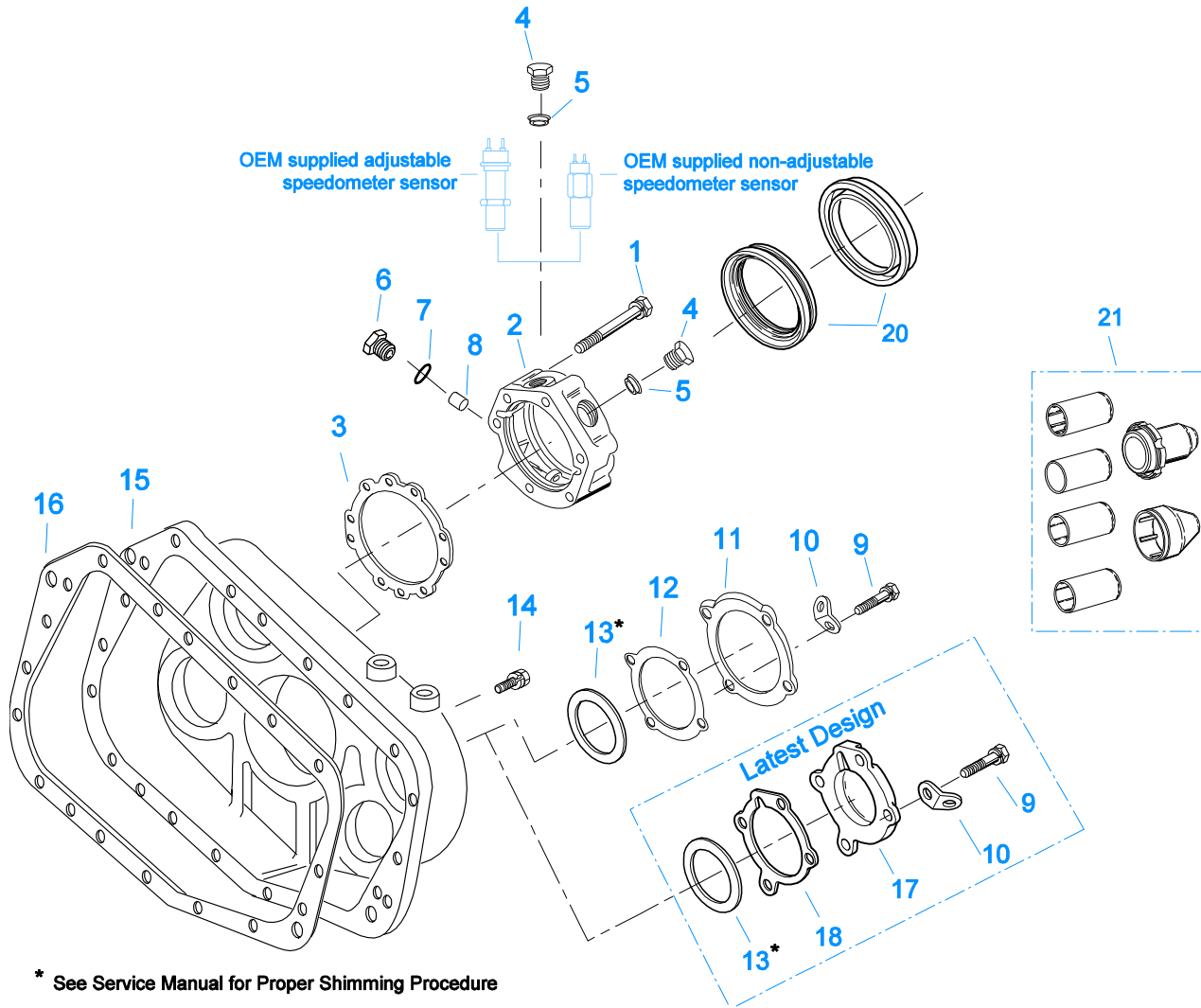
- **Item Number** - corresponding with numbers on illustrations for part identification.
- **Current Part** - identifies part as it is available for service.
- **Description** - specifies part name or description.
- **Replaced Part** - quantity quantity required for assembly.
- **Quantity** - defines unique characteristics or requirements.
- **Notes** - indicates Kits or Assemblies that contain a particular part.
- **Kits/Assy's Where Used**



10484A-5-10

AUXILIARY DRIVE GEAR

Item	Current Part	Description	Replaced Part	Qty.	Notes	Kits/Assys Where Needed
1	4303673	SPACER	4302046	1		
2	5566508-BOX	BEARING	5566503,5566508	1		K-2287,K-2770,K-3345,K-3346
3	4300894	RETAINER		1		
4	X-8-645	CAPSCREW	X 8 612	6	3/8"-16X1"	
5	4300911	SPACER		1		K-2808
6	K-2808	REPL KIT-DRIVE GEAR	4300932 ,4300938	1		
7	4303185	WASHER	4300901	1		K-2808
8	4301254	SNAP RING		1		K-2287,K-2770,K-2801,K-2808,K-3151,K-3345,K-3346

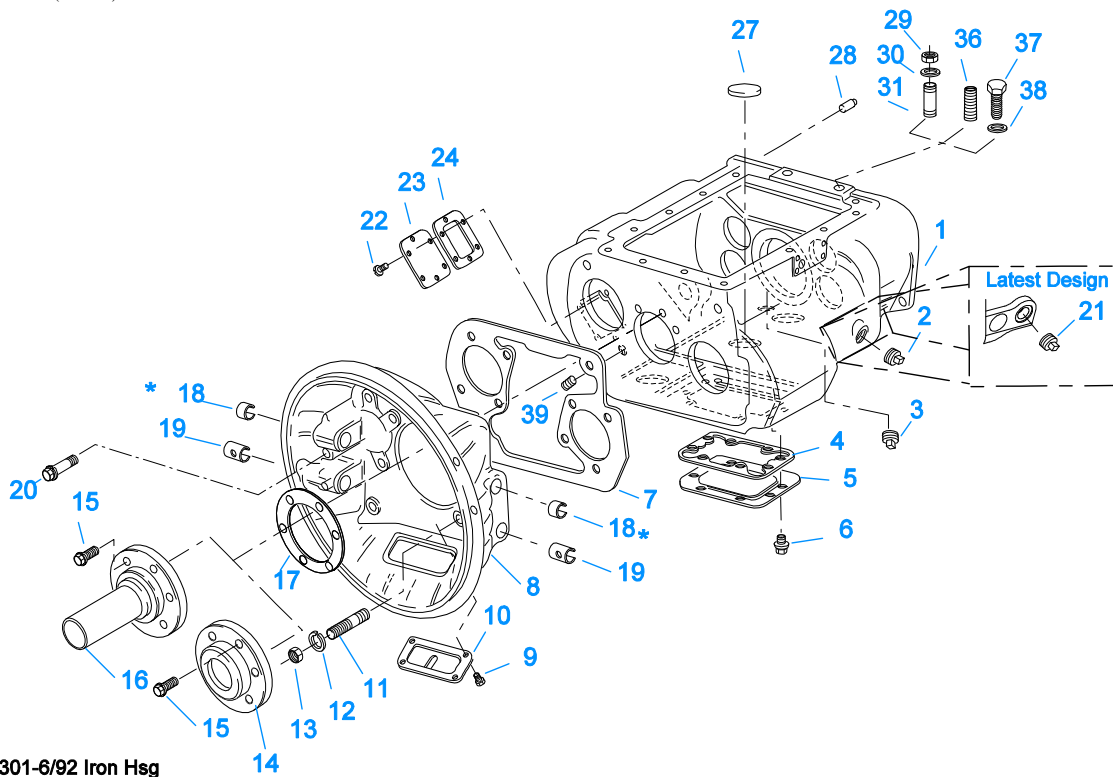


* See Service Manual for Proper Shimming Procedure
10405-3-99

CASE (AUX)

Item	Current Part	Description	Replaced Part	Qty.	Notes	Kits/Assys Where Needed
1	X-8L-611	CAPSCREW		6	3/8"-16X3-1/4"	
2	S-2107	REAR BRG COVER ASSY	4300892	1		
3	21364	GASKET		1		K-1603,K-2199,K-2262,S-2107
4	20224	PLUG-MAGNETIC		2		S-2107,S-2172,S-2769
5	4301954	SENSOR SEAL		2		S-2107
6	20226	PLUG-MECHANICAL		1		S-2107,S-2172,S-2769
7	14142	-O- RING		1		S-2107,S-2172,S-2769
8	7992	BUSHING		1		S-2107
9	X-8L-604	CAPSCREW		8	3/8"-16X1-1/4"	
10	20815	LIFTING EYE		2		S-2172,S-2769
11	4300925	REAR BEARING COVER	4300185	2	PRIOR TO SERIAL NUMBER 51126221 & PRIOR TO SERIAL NUMBERS STARTING WITH AN ALPHA CHARACTER	S-2172
12	4300186	GASKET		2	PRIOR TO SERIAL NUMBER 51126221 & PRIOR TO SERIAL NUMBERS STARTING WITH AN ALPHA CHARACTER	K-1603,K-2199,S-2172
13	K-2805	SHIM KIT	21452 K - 2106	1		K-2287,K-2769,K-2770,K-3344,K-3345,K-3346,S-2172,S-2769
14	X-8L-602	CAPSCREW		17	3/8"-16X1-1/2"	

Item	Current Part	Description	Replaced Part	Qty.	Notes	Kits/Assys Where Needed
14	X-8L-614	CAPSCREW		2	3/8"-16X2"	
15	4300915	REAR HOUSING		1	PRIOR TO SERIAL NUMBER 51126221 & PRIOR TO SERIAL NUMBERS STARTING WITH AN ALPHA CHARACTER	
15	4303588	REAR HOUSING		1	BEGINNING W/SERIAL NUMBER 51126221 & ALL SERIAL NUMBERS STARTING WITH AN ALPHA CHARACTER	
16	14335	GASKET		1		K-1603,K-2199,S-2172,S-2769
17	4302320	COVER	21346	2	BEGINNING W/SERIAL NUMBER 51126221 & ALL SERIAL NUMBERS STARTING WITH AN ALPHA CHARACTER	S-2769
18	4305978	GASKET	4302246	1	BEGINNING W/SERIAL NUMBER 51126221 & ALL SERIAL NUMBERS STARTING WITH AN ALPHA CHARACTER	K-1603,K-2199,S-2769
20	K-2262	OIL SEAL W/SLINGER	19109 20807 20808	1	"FOR MECHANICAL COVER"	K-2287,K-2769,K-2770,K-3344,K-3345,K-3346
21	K-3651	OIL SEAL TOOL KIT		1		



10301-6/92 Iron Hsg

* Bushing quantity requirements: #1 Housing – Upper bore use 4 #12815 / Lower bore use 2 #8677.

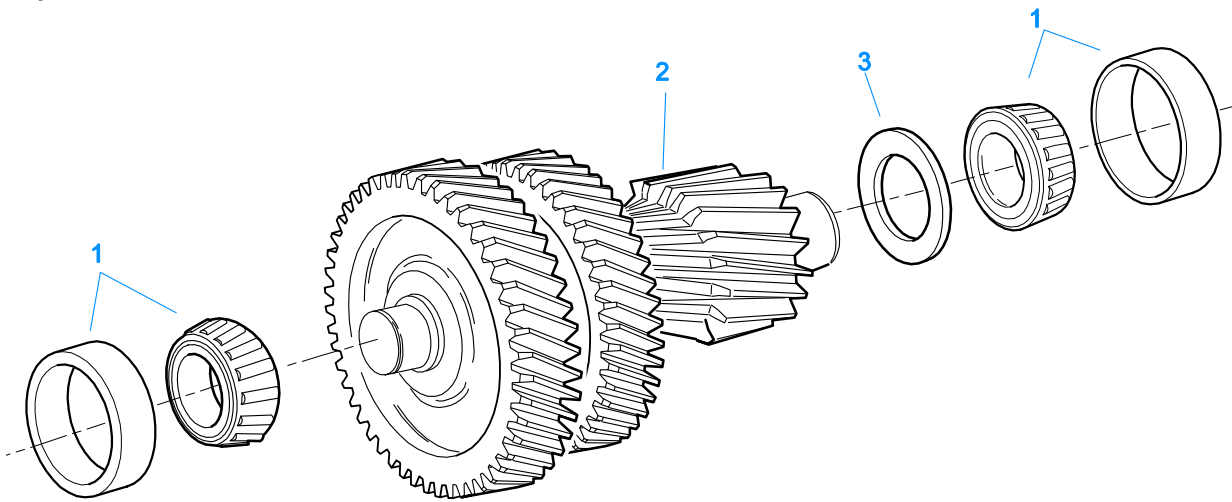
#2 Housing – Upper bore use 2 #12815 and 1 #8677 / Lower bore use 2 #8677.

Note: Some part requirements are specific to #1 or #2 Clutch Housings and Push or Pull type Clutch.

CASE (FRONT)

Item	Current Part	Description	Replaced Part	Qty.	Notes	Kits/Assys Where Needed
1	S-2084	CASE ASSY	4302040	1	PRIOR TO SERIAL NUMBER 51126221 & PRIOR TO SERIAL NUMBERS STARTING WITH AN ALPHA CHARACTER	
1	S-2258	CASE ASSY	4301715	1	BEGINNING W/SERIAL NUMBER 51126221 & ALL SERIAL NUMBERS STARTING WITH AN ALPHA CHARACTER	
2	X-12-2007	PIPE PLUG	X12 2006	1		
3	X-12-1207	PIPE PLUG	X12 1202 X12 1206	1	3/4" MAGNETIC	
4	4305310	GASKET	4302810	1		K-2199
5	4302809	PTO COVER	16596,4300571	1		
6	X-8-725	CAPSCREW		8	7/16"-14X7/8"	
7	4306584	CLUTCH HOUSING GASKET	4304815,4305668	1		K-2199
8	A-3713	CLUTCH HOUSING ASSY	A - 3700	1	#1 PUSH-PULL IRON	
8	A-3723	CLUTCH HOUSING ASSY	A - 3721 ,A - 3722	1	#2 PUSH-PULL IRON	
9	239614	SCREW	X-8L-509	4	5/16-18X.81 QUANTITY DEPENDENT ON DESIGN	
10	14506	HAND HOLE COVER		1	#2 PUSH	
10	14507	HAND HOLE COVER		1	#2 PULL	
10	4305230	HAND HOLE COVER	11453	1	#1 PULL	
10	4305231	HAND HOLE COVER	1565	1	#1 PUSH	
11	4306583	STUD	5966	6		
12	X-10-1005	WASHER	X 3 1000 ,X10 1000 ,X10 1004	6	1.23 X 6.60	
13	X-1-1012	HEX NUT	X-1-1005	6	.625-18	
14	20550	FRONT BEARING COVER		1	2" PULL	K-2468,K-4125
15	X-8L-604	CAPSCREW		6	3/8"-16X1-1/4"	
16	20549	FRONT BEARING COVER		1	2" PUSH	
17	14311	GASKET		1		K-2199
18	12815	BUSHING		2	FOR #2 HOUSING UPPER	A-3713,A-3723,K-2468

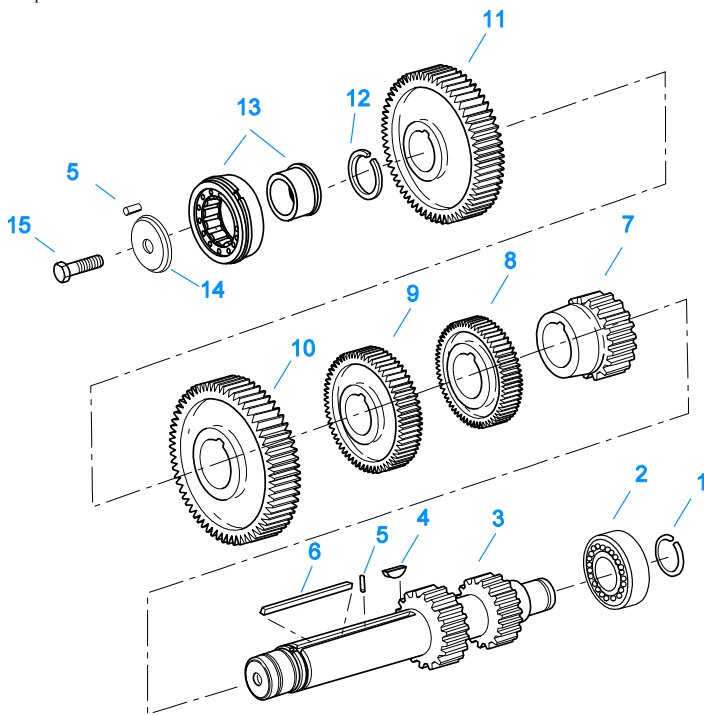
Item	Current Part	Description	Replaced Part	Qty.	Notes	Kits/Assys Where Needed
18	12815	BUSHING		4	FOR #1 HOUSING UPPER	A-3713,A-3723,K-2468
18	8677	BUSHING		1	FOR #2 HOUSING UPPER	A-3713,A-3723
19	8677	BUSHING		2	FOR #1 AND #2 HOUSING LOWER	A-3713,A-3723
20	X-8C-830	HEX HEAD SCREW/WASHER ASSY	X-8C-826	2	.500-13 X 1.490, FOR IRON HOUSING	
20	X-8C-831	HEX HEAD SCREW/WASHER ASSY	X-8C-822	2	.500-13 X 3.460, FOR IRON HOUSING	
21	4304023	PLUG	4303747	1	1-1/16" MAGNETIC, O-RING INCLUDED	S-2084,S-2258
22	X-8-686	CAPSCREW		6	3/8"-16X3/4"	
23	14575	PTO COVER	4302254	1		
24	4305309	GASKET	1684	1		K-2199
27	14373	MAGNET		3		S-2084,S-2258
28	18128	PIN		2		
29	X-1-1012	HEX NUT		2	.625-18	
30	X-10-1005	WASHER	X 3 1000 ,X10 1000 ,X10 1004	2	1.23 X 6.60	
31	14554	STUD	1632 ,6579	2	5/8" X 2-3/16"	
36	23104	PLUG	1712	2		
37	X-8-1005	CAPSCREW		2	5/8"-11X1-1/4"	
38	20814	SPACER		2		
39	X-12-802	PIPE PLUG	X12 800	1	1/2"	



10444-5/93 CS Helical

COUNTERSHAFT & BRGS(AUX)

Item	Current Part	Description	Replaced Part	Qty.	Notes	Kits/Assys Where Needed
1	4301851-BOX	BEARING	4301851	4	PRIOR TO SERIAL NUMBER 51126221 & PRIOR TO SERIAL NUMBERS STARTING WITH AN ALPHA CHARACTER	K-2287,K-2769,K-2770
1	4302074-BOX	BEARING	21343,4302074	4	BEGINNING W/SERIAL NUMBER 51126221 & ALL SERIAL NUMBERS STARTING WITH AN ALPHA CHARACTER	K-3344,K-3345,K-3346
2	A-6756	WELDED COUNTERSHAFT ASSY	A - 5942	2	BEGINNING W/SERIAL NUMBER 51126221 & ALL SERIAL NUMBERS STARTING WITH AN ALPHA CHARACTER	
2	K-3202	COUNTERSHAFT REPLT KIT	4300937 ,A - 5943 ,A - 6604	2	PRIOR TO SERIAL NUMBER 51126221 & PRIOR TO SERIAL NUMBERS STARTING WITH AN ALPHA CHARACTER	
3	21342	SPACER		2	BEGINNING W/SERIAL NUMBER 51126221 & ALL SERIAL NUMBERS STARTING WITH AN ALPHA CHARACTER	
3	4300897	SPACER - NO LONGER AVAILABLE - ORDER K-3202		2	PRIOR TO SERIAL NUMBER 51126221 & PRIOR TO SERIAL NUMBERS STARTING WITH AN ALPHA CHARACTER	
3	4303124	SPACER		2	PRIOR TO SERIAL NUMBER 51126221 & PRIOR TO SERIAL NUMBERS STARTING WITH AN ALPHA CHARACTER - FOR USE WITH A-6604 COUNTERSHAFT	K-3202

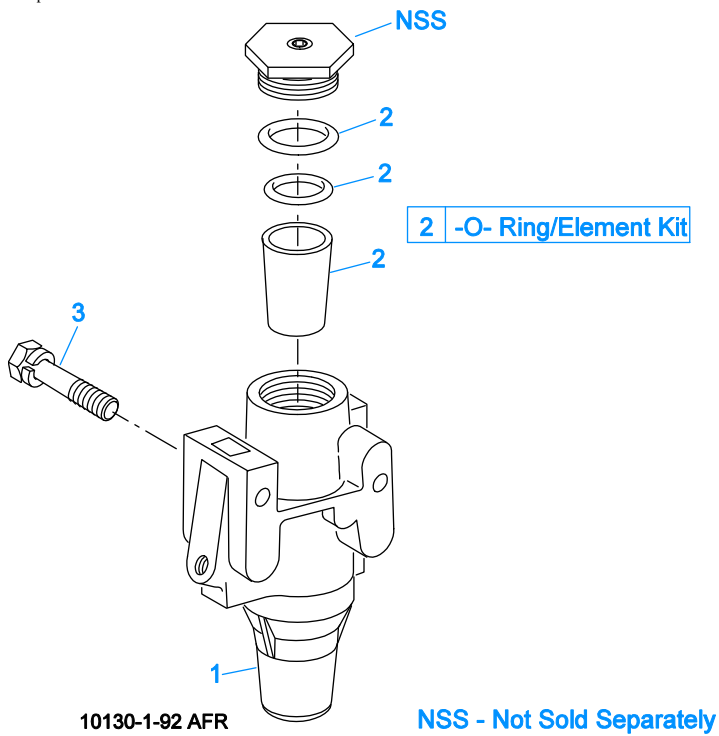


10341-1/92 CS/RT

COUNTERSHAFT ASSY

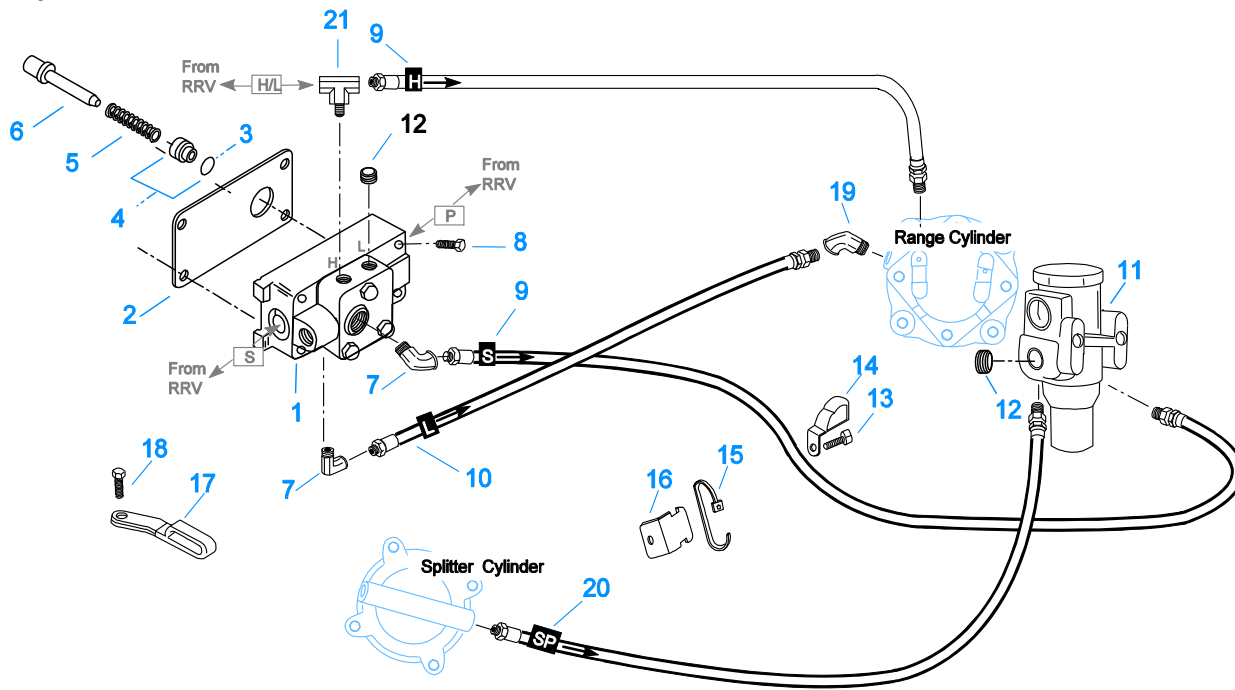
Item	Current Part	Description	Replaced Part	Qty.	Notes	Kits/Assys Where Needed
0	S-3024	COUNTERSHAFT ASSEMBLY, RIGHT		1	COMPLETE COUNTERSHAFT ASSEMBLY, RIGHT	
0	S-3025	COUNTERSHAFT ASSEMBLY, LEFT		1	COMPLETE COUNTERSHAFT ASSEMBLY, LEFT	
1	14317	SNAP RING		2		K-2287,K-2770,K-2801,K-3345,K-3346,S-3024,S-3025
2	14366	BEARING		2		K-2287,K-2770,K-3345,K-3346
3	K-2958	COUNTERSHAFT-W/REV & LO	4300032 ,4300243	2		
4	X-6-E	KEY		2		S-3024,S-3025
5	62511	ROLL PIN		4		A-6429,K-2801,S-3024,S-3025
6	4304840	KEY	19673	2		S-3024,S-3025
7	21025	1ST GEAR-CNTRSHFT	4300241	2		S-3024,S-3025
8	21264	2ND GEAR-CNTRSHFT	19623	2		S-3024,S-3025
9	4300191	OD GEAR-CNTRSHFT	4305071	2		S-3024,S-3025
10	15953	PTO GEAR - LOWER		1		S-3025
10	20840	PTO GEAR - UPPER		1		S-3024
11	4305665	DRIVE GEAR-CNTRSHFT	21018,4305069	2		S-3024,S-3025
12	19198	SNAP RING		2		S-3024,S-3025
13	4304599	BEARING	4302677 4304598	2		K-2287,K-2770,K-3345,K-3346
14	4304605	RETAINER	19548	2	ROLL PIN NO LONGER REQUIRED	
15	X-7-1005	CAPSCREW		2	5/8"-18X1-3/4"	

Group: FILTER REGULATOR



FILTER REGULATOR

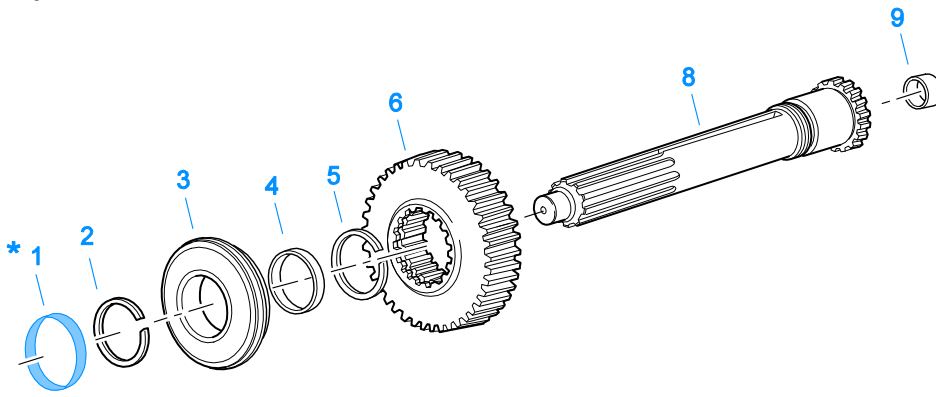
Item	Current Part	Description	Replaced Part	Qty.	Notes	Kits/Assys Where Needed
1	A-4740	FILTER/REGULATOR	19600	1		
2	K-1698	-O- RING/ELEMENT KIT		1	FOR FILTER REGULATOR	
3	X-8C-412	CAPSCREW	X 8S 412	2	1/4"-20X2-1/4"	



10110G-10/93 A-5000 HC 13spd

H & C W/A-5000 VALVE

Item	Current Part	Description	Replaced Part	Qty.	Notes	Kits/Assys Where Needed
1	A-5000	SLAVE VALVE ASSY	20850	1		
2	19481	GASKET		1		K-2199
3	19462	-O- RING	14033	1		K-1969
4	K-1969	SLEEVE KIT	14362 ,19460 ,21446	1	FOR SLAVE VALVES	
5	21268	SPRING	19572	1		
6	20490	PIN	19459	1		
7	12845	ELBOW		2	1/8"	
8	X-8C-411	CAPSCREW		4	1/4"-20X1-3/4"	
9	55509	HOSE ASSY		2	34"	
10	55518	HOSE ASSY		1	32"	
11	A-4740	FILTER/REGULATOR	19600	1		
12	X-12-208	PIPE PLUG		2	1/8" NPT	
13	X-8L-604	CAPSCREW		1	3/8"-16X1-1/4"	
14	21427	HOSE CLAMP		1		
15	21425	STRAP		1		
16	21426	BRACKET		1		
17	21428	HOSE CLAMP		1		
18	X-8L-604	CAPSCREW		1	3/8"-16X1-1/4"	
19	12880	ELBOW		1	1/8"	
20	55527	HOSE ASSY		1	15"	
21	21086	BRANCH TEE		1	1/8"	



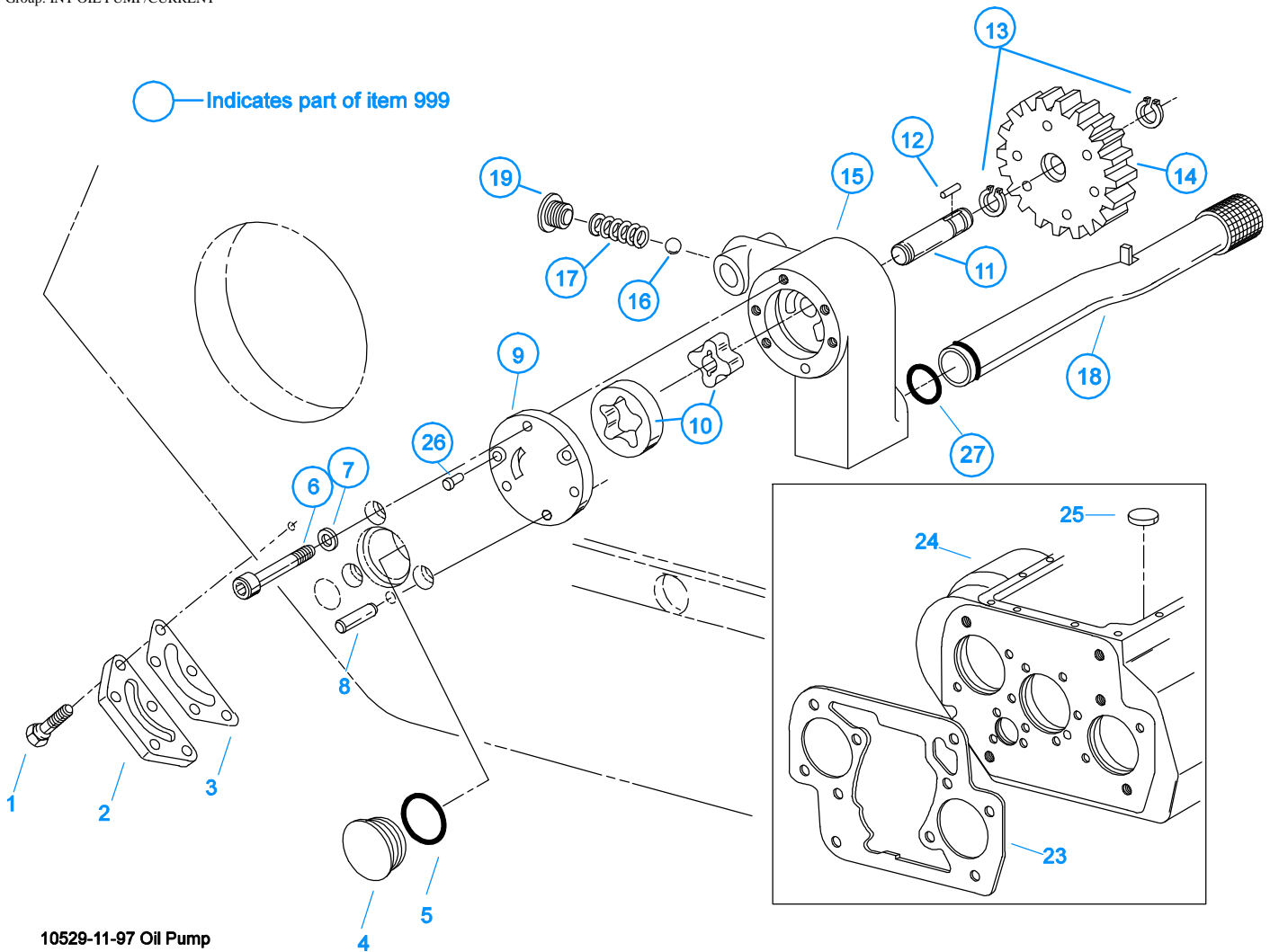
* For Shipping Only -- Do Not Replace

*

10370-1/92 IS

INPUT SHAFT & DRIVE GEAR

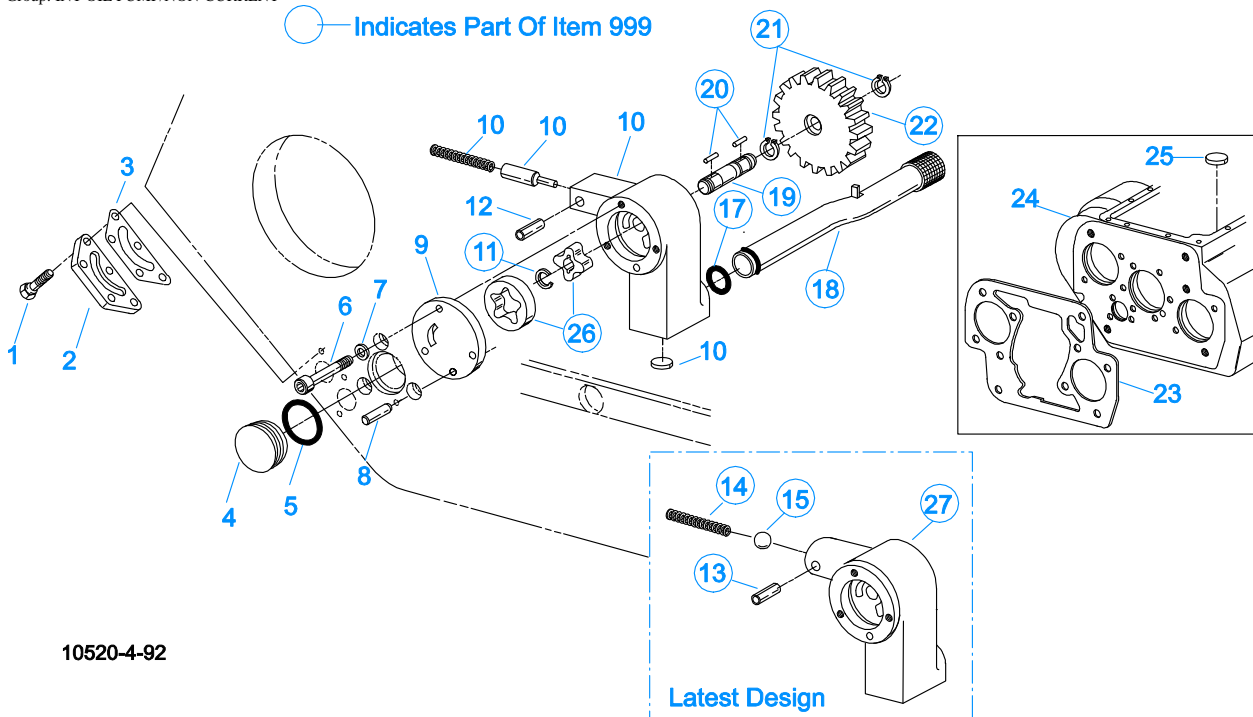
Item	Current Part	Description	Replaced Part	Qty.	Notes	Kits/Assys Where Needed
1	23559	SHIPPING SEAL		1	NOT SOLD FOR SERVICE	
2	16980	SNAP RING		1		K-2287,K-2468,K-2770,K-3345,K-3346,K-4125
3	81504	BEARING		1		K-2287,K-2468,K-2770,K-3345,K-3346,K-4125
4	16463	SPACER		1		
5	14750	SNAP RING		1		K-2287,K-2468,K-2770,K-2801,K-3345,K-3346,K-4125
6	4305910	MAIN DRIVE GEAR	4300238, 4305068	1		
8	S-1659	INPUT SHAFT	20535 23566 4302661	1	2" PULL - USE W/FBC 20550	K-2468,K-2770,K-3345,K-4125
8	S-1660	INPUT SHAFT	20536 ,23567	1	2" PUSH - USE W/FBC 20549	
9	16566	BUSHING		1		K-2287,K-3346,S-1659,S-1660



INT OIL PUMP/CURRENT

Item	Current Part	Description	Replaced Part	Qty.	Notes	Kits/Assys Where Needed
1	X-8C-409	CAPSCREW		5	1/4"-20X5/8"	
2	K-2402	COVER & SCREW KIT	4300751	1		
3	20514	GASKET		1		K-2402
4	20823	PLUG		1		
5	14765	-O- RING		1		K-2802,K-2804,K-2809
6	X-8-448	SCREW	X 8 445	3	1/4"-20X1-1/4"	
7	20824	WASHER		3		K-3367
8	20825	DOWEL PIN		1		
9	4303773	RETAINER		1		
10	K-3367	OIL PUMP KIT	4301829 ,4301948 ,4303776 ,4304529 ,4304572 A - 6963 ,A - 7173	1		
11	K-3367	OIL PUMP KIT	4301829 ,4301948 ,4303776 ,4304529 ,4304572 A - 6963 ,A - 7173	1		
12	20509	KEY		1		
13	14853	SNAP RING		2		
14	4303774	PUMP DRIVE GEAR	4304880	1		
15	K-3367	OIL PUMP KIT	4301829 ,4301948 ,4303776 ,4304529 ,4304572 A - 6963 ,A - 7173	1		
16	X-14-700	STEEL BALL		1	7/16"	

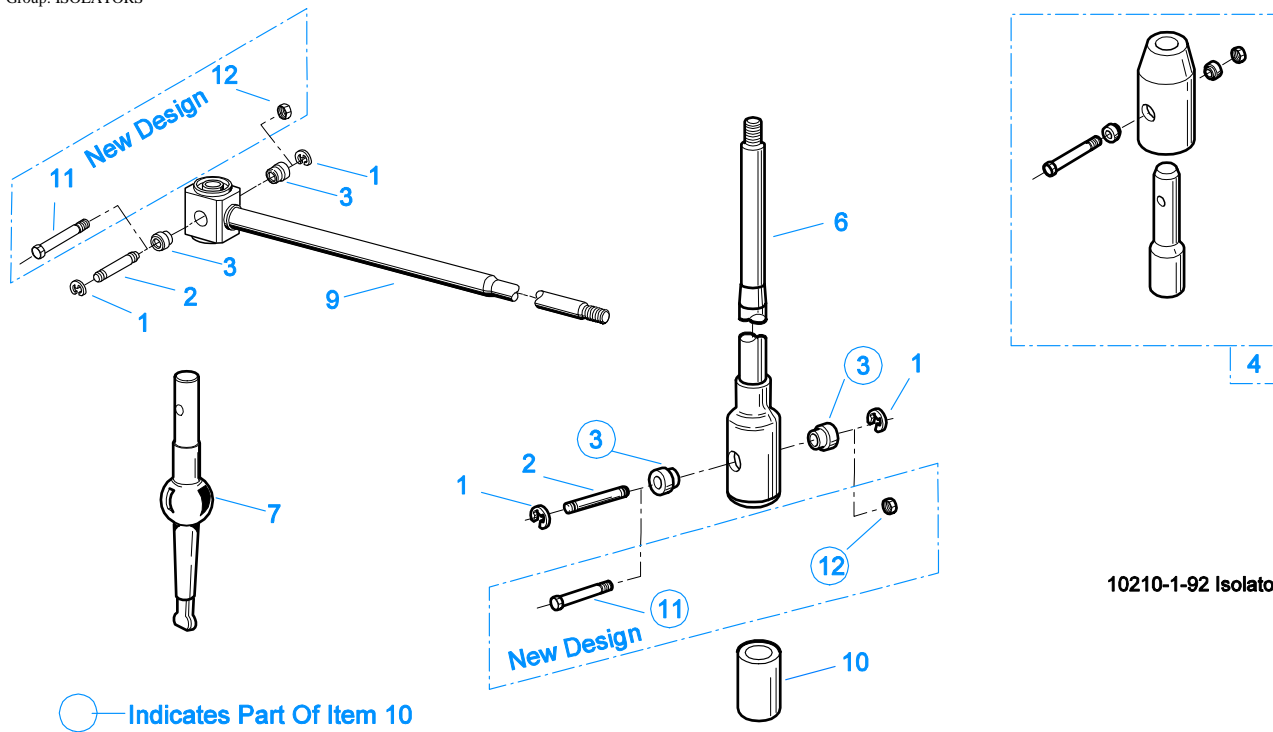
Item	Current Part	Description	Replaced Part	Qty.	Notes	Kits/Assys Where Needed
17	4303775	SPRING		1		
18	4305713	SUCTION TUBE	4304628	1	O-RING INCLUDED ON SUCTION TUBE	K-3367
19	4304629	PLUG		1		
23	4306584	CLUTCH HOUSING GASKET	4304815,4305668	1		K-2199
24	S-2084	CASE ASSY	4302040	1	PRIOR TO SERIAL NUMBER 51126221 & PRIOR TO SERIAL NUMBERS STARTING WITH AN ALPHA CHARACTER	
24	S-2258	CASE ASSY	4301715	1	BEGINNING W/SERIAL NUMBER 51126221 & ALL SERIAL NUMBERS STARTING WITH AN ALPHA CHARACTER	
25	14373	MAGNET		3		S-2084,S-2258
26	X-8-447	SCREW		2		
27	20225	-O- RING		1		
999	K-3367	OIL PUMP KIT	4301829 ,4301948 ,4303776 ,4304529 ,4304572 A - 6963 ,A - 7173	1		



INT OIL PUMP/NON-CURRENT

Item	Current Part	Description	Replaced Part	Qty.	Notes	Kits/Assys Where Needed
1	X-8C-409	CAPSCREW		5	1/4"-20X5/8" - USE WITH 4300751 COVER	
1	X-8C-430	CAPSCREW		5	1/4"-20X7/8" - USE WITH 20513 COVER	
2	K-2402	COVER & SCREW KIT	4300751	1		K-2402
3	20514	GASKET		1		
4	20823	PLUG		1		
5	14765	-O- RING		1		K-2802,K-2804,K-2809
6	X-8-448	SCREW	X 8 445	3	1/4"-20X1-1/4"	
7	20824	WASHER		3		K-3367
8	20825	DOWEL PIN		1		
9	4303107	RETAINER	20510	1		S-2084,S-2258
10	K-3367	OIL PUMP KIT	4301829 ,4301948 ,4303776 ,4304529 ,4304572 A - 6963 ,A - 7173	1		
11	20518	CRESCENT RING		1		
12	62516	ROLL PIN	62521	1		
13	62514	ROLL PIN		1		
14	K-3367	OIL PUMP KIT	4301829 ,4301948 ,4303776 ,4304529 ,4304572 A - 6963 ,A - 7173	1		
15	X-14-700	STEEL BALL		1	7/16"	
17	20225	-O- RING		1		
18	4305713	SUCTION TUBE	4304628	1	O-RING INCLUDED ON SUCTION TUBE	K-3367
19	20508	DRIVE SHAFT		1		
20	20509	KEY		2		
21	14853	SNAP RING		2		
22	20511	DRIVE GEAR		1		
23	4306584	CLUTCH HOUSING GASKET	4304815,4305668	1		K-2199
24	S-2084	CASE ASSY	4302040	1	PRIOR TO SERIAL NUMBER 51126221 & PRIOR TO SERIAL NUMBERS STARTING WITH AN ALPHA CHARACTER	
24	S-2258	CASE ASSY	4301715	1	BEGINNING W/SERIAL NUMBER 51126221 & ALL SERIAL NUMBERS	

Item	Current Part	Description	Replaced Part	Qty.	Notes	Kits/Assys Where Needed
					STARTING WITH AN ALPHA CHARACTER	
25	14373	MAGNET		3		
26	20507	ELEMENT		1		S-2084,S-2258
27	K-3367	OIL PUMP KIT	4301829 ,4301948 ,4303776 ,4304529 ,4304572 A - 6963 ,A - 7173	1		
999	K-3367	OIL PUMP KIT	4301829 ,4301948 ,4303776 ,4304529 ,4304572 A - 6963 ,A - 7173	1		



10210-1-92 Isolator

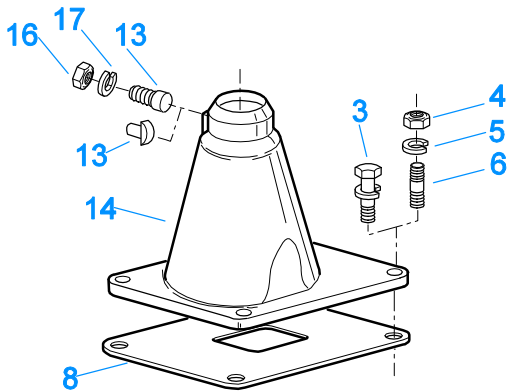
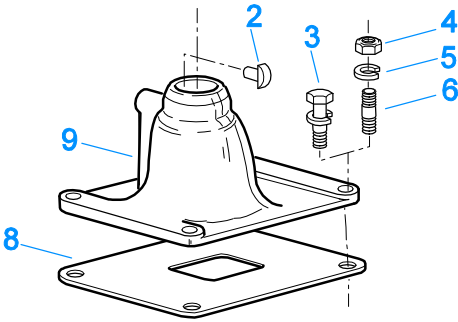
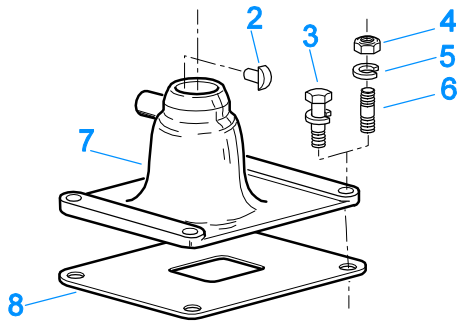
ISOLATORS

Item	Current Part	Description	Replaced Part	Qty.	Notes	Kits/Assys Where Needed
1	19124	-E- RING		2		
2	K-3467	PIN REPLACEMENT KIT	21245	1		
3	21246	BUSHING		2		K-2003,K-2428,K-2429,K-2978,K-3399,S-2129,S-2130,S-2519
4	S-1794	ISOLATOR ASSY		1		
6	21247	LEVER		1	STRAIGHT 18.67"	
7	21235	STUB LEVER		1	LOW TOWER	K-2428,S-1677
7	21236	STUB LEVER		1	HIGH TOWER	K-2429,S-1579,S-2130
7	4301168	STUB LEVER		1	MID TOWER	K-2978
9	21767	90 DEG LEVER		1	STRAIGHT 33"	
10	K-3399	ISOLATOR BUSHING KIT	21244 ,23311	1		
11	X-8-560	SCREW		1		
12	X-9-503	NUT		1		

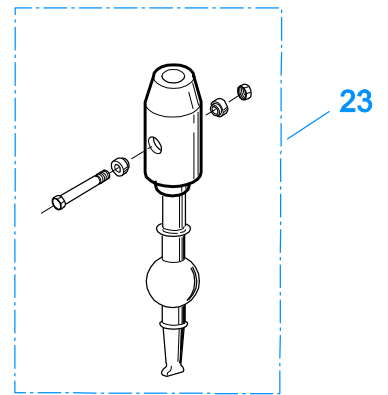
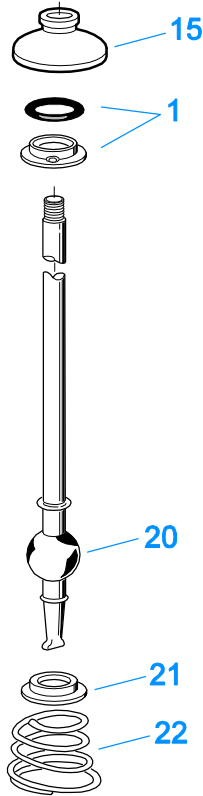
KITS & ASSEMBLIES

Item	Current Part	Description	Replaced Part	Qty.	Notes	Kits/Assys Where Needed
K-1476		SHIFT LEVER HSG	4530 ,17163 ,18298 ,4304905 ,A - 4437	1	LOW TOWER	
K-1603		GASKET KIT		1	FOR AUXILIARY SECTION	K-2769,K-3344
K-1698		-O- RING/ELEMENT KIT		1	FOR FILTER REGULATOR	
K-1935		REPAIR KIT-SLAVE VALVE		1	FOR A-5000 VALVE	
K-1956		COOLER INSTLN KIT		1		
K-1969		SLEEVE KIT	14362 ,19460 ,21446	1	FOR SLAVE VALVES	
K-2003		PIN & BUSHING KIT		1		
K-2199		GASKET KIT		1		K-2287,K-2770,K-3345,K-3346
K-2262		OIL SEAL W/SLINGER	19109 20807 20808	1	"FOR MECHANICAL COVER"	K-2287,K-2769,K-2770,K-3344,K-3345,K-3346
K-2287		BASIC REBUILD KIT		1	PRIOR TO SERIAL NUMBER 51126221 & PRIOR TO SERIAL NUMBERS STARTING WITH AN ALPHA CHARACTER	
K-2394		AIR SYSTEMS TOOL KIT		1		
K-2402		COVER & SCREW KIT	4300751	1		
K-2428		LEVER REPLACEMENT KIT		1	LOW TOWER	
K-2429		LEVER REPLACEMENT KIT		1	HIGH TOWER	
K-2439		KEY & WASHER KIT		1	CONTAINS 3-SIDED KEY	
K-2468		CLUTCH INSTALLATION KIT		1	FOR USE WITH S-1659 INPUT SHAFT ASSY AND 81504 INPUT SHAFT BEARING	
K-2769		AUXILIARY REBUILD KIT		1	FOR AUXILIARY SECTION PRIOR TO SERIAL NUMBER 51126221 & PRIOR TO SERIAL NUMBERS STARTING WITH AN ALPHA CHARACTER	
K-2770		BASIC OVERHAUL KIT		1	PRIOR TO SERIAL NUMBER 51126221 & PRIOR TO SERIAL NUMBERS STARTING WITH AN ALPHA CHARACTER	
K-2801		SMALL PARTS KIT		1		
K-2802		-O- RING KIT-RANGE		1		
K-2803		O-RING KIT - SPLITTER		1		
K-2804		-O- RING KIT-COMPLETE		1		K-2287,K-2769,K-2770,K-3344,K-3345,K-3346
K-2805		SHIM KIT	21452 K - 2106	1		K-2287,K-2769,K-2770,K-3344,K-3345,K-3346,S-2172,S-2769
K-2808		REPL KIT-DRIVE GEAR	4300932 ,4300938	1		
K-2809		RANGE CYLINDER KIT		1		
K-2958		COUNTERSHAFT REPL KIT	4300032 ,4300243	1		
K-2973		SHIFT LEVER HSG KIT	17166 ,17167 ,4303050 ,4304910 ,K - 1630 K - 1941	1	HIGH TOWER	
K-2977		SHIFT LEVER HSG KIT	4301167 ,4304907 ,A - 6040	1	MID TOWER	
K-2978		LEVER REPLACEMENT KIT		1	MID TOWER	
K-3104		ACTUATOR PIN KIT	4303287	1		
K-3151		WASHER UPDATE KIT		1		
K-3193		MASTER VALVE REPAIR KIT		1	FOR A-6913 VALVE	
K-3195		MASTER VALVE REPAIR KIT		1	FOR A-7313 VALVE	
K-3202		COUNTERSHAFT REPLT KIT	4300937 ,A - 5943 ,A - 6604	1	C/S 4303141 - D/G 4300935 - S/G 4300936 PRIOR TO SERIAL NUMBER 51126221 & PRIOR TO SERIAL NUMBERS STARTING WITH AN	

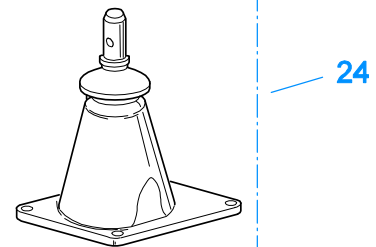
Item	Current Part	Description	Replaced Part	Qty.	Notes	Kits/Assys Where Needed
					ALPHA CHARACTER	
K-3209	IDLER SHAFT REPL KIT	16405 ,4302981 ,4305513		1		
K-3331	SPLITTER VLV REPL KIT	4300927 ,4304031 ,4304032 ,A - 6862		1		
K-3344	AUXILIARY REBUILD KIT			1	FOR AUXILIARY SECTION BEGINNING W/SERIAL NUMBER 51126221 & ALL SERIAL NUMBERS STARTING WITH AN ALPHA CHARACTER	
K-3345	BASIC OVERHAUL KIT			1	BEGINNING W/SERIAL NUMBER 51126221 & ALL SERIAL NUMBERS STARTING WITH AN ALPHA CHARACTER	
K-3346	BASIC REBUILD KIT			1	BEGINNING W/SERIAL NUMBER 51126221 & ALL SERIAL NUMBERS STARTING WITH AN ALPHA CHARACTER	
K-3367	OIL PUMP KIT	4301829 ,4301948 ,4303776 ,4304529 ,4304572 A - 6963 ,A - 7173		1		
K-3376	O-RING & WASHER KIT	4301211		1		
K-3399	ISOLATOR BUSHING KIT	21244 ,23311		1		
K-3441	OIL FILTER/ADAPTER KIT			1		
K-3467	PIN REPLACEMENT KIT	21245		1		
K-3492	SYNCHRONIZER KIT	K - 2446		1		
K-3497	SYNCHRONIZER REPLACEMENT KIT	K - 3200		1	SLIDING CLUTCH INCLUDED IN KIT	
K-3651	OIL SEAL TOOL KIT			1		
K-4125	CLUTCH INSTALLATION KIT (RT), HYDRAULIC RELEASE			1	STANDARD RT INPUT SHAFT AND YOKE FOR HYDRAULIC CLUTCH RELEASE	
S-1219	YOKE ASSY LOW-REV			1		
S-1404	OIL FILTER	17238		1		
S-1446	SHIFT BAR HSG (XF)	21136		1	HOUSING ONLY (XF)	
S-1516	CAP ASSY	20851 ,20853		1		
S-1528	SHIFT BAR HSG ASSY (XF)	21136		1	COMPLETE (XF)	
S-1659	INPUT SHAFT	20535 23566 4302661		1	2" PULL - USE W/FBC 20550	K-2468,K-2770,K-3345,K-4125
S-1660	INPUT SHAFT	23567		1	2" PUSH - USE W/FBC 20549	
S-1794	ISOLATOR ASSY			1		
S-2084	CASE ASSY	4302040		1	PRIOR TO SERIAL NUMBER 51126221 & PRIOR TO SERIAL NUMBERS STARTING WITH AN ALPHA CHARACTER	
S-2107	REAR BRG COVER ASSY	4300892		1		
S-2129	SHIFT LEVER HSG ASSY			1	LOW TOWER	
S-2130	SHIFT LEVER HSG ASSY	S - 2053		1	HIGH TOWER	
S-2172	RANGE SECTION ASSY			1	PRIOR TO SERIAL NUMBER 51126221 & PRIOR TO SERIAL NUMBERS STARTING WITH AN ALPHA CHARACTER	
S-2258	CASE ASSY	4301715		1	BEGINNING W/SERIAL NUMBER 51126221 & ALL SERIAL NUMBERS STARTING WITH AN ALPHA CHARACTER	
S-2519	SHIFT LEVER HSG ASSY	S - 2919		1	MID TOWER	
S-2578	ROADRANGER VALVE ASSY			1	RTLO - W/SHIFT PATTERN	
S-2769	RANGE SECTION ASSY			1	BEGINNING W/SERIAL NUMBER 51126221 & ALL SERIAL NUMBERS STARTING WITH AN ALPHA CHARACTER	
S-2769R	REMAN RANGE SECTION ASSY			1	BEGINNING W/SERIAL NUMBER 51126221 & ALL SERIAL NUMBERS STARTING WITH AN ALPHA CHARACTER	
S-3108	MAINSHAFT ASSY	4303402,4303403,S-2562,S-3101		1		K-3151



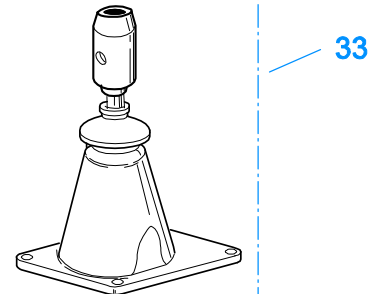
10207-9-95



K-2428 - Low
K-2978 - Mid
K-2429 - High



S-1677 - Low
S-1967 - Mid
S-1579 - High

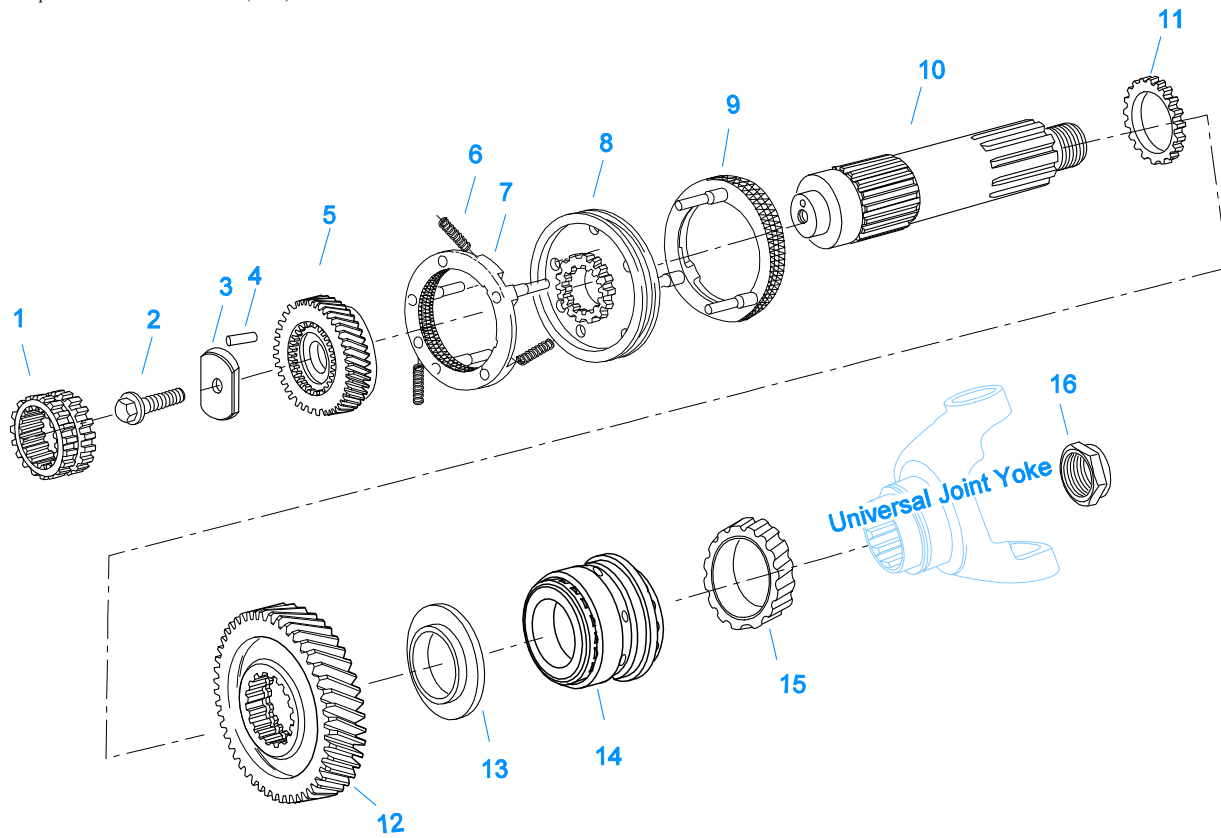


S-2129 - Low
S-2519 - Mid
S-2130 - High

LEVERS/HOUSINGS

Item	Current Part	Description	Replaced Part	Qty.	Notes	Kits/Assys Where Needed
1	K-3376	O-RING & WASHER KIT	4301211	1		
2	18299	PIN		1		
3	X-8C-604	CAPSCREW		4	3/8"-16X1-1/4"	K-1476,K-2977,S-1677 S-1446,S-1528
4	X-1-600	NUT		4	3/8"-24-N.F.PLAIN	
5	X-3-600	LOCKWASHER		4	3/8"	
6	11934	STUD	7467	4		
7	K-1476	SHIFT LEVER HSG	4530 ,17163 ,18298 ,4304905 ,A - 4437	1	LOW TOWER	
8	4305294	GASKET	4303431	1		K-1476,K-2199,K-2428,K-2429,K-2973,K-2977,K-2978,S-

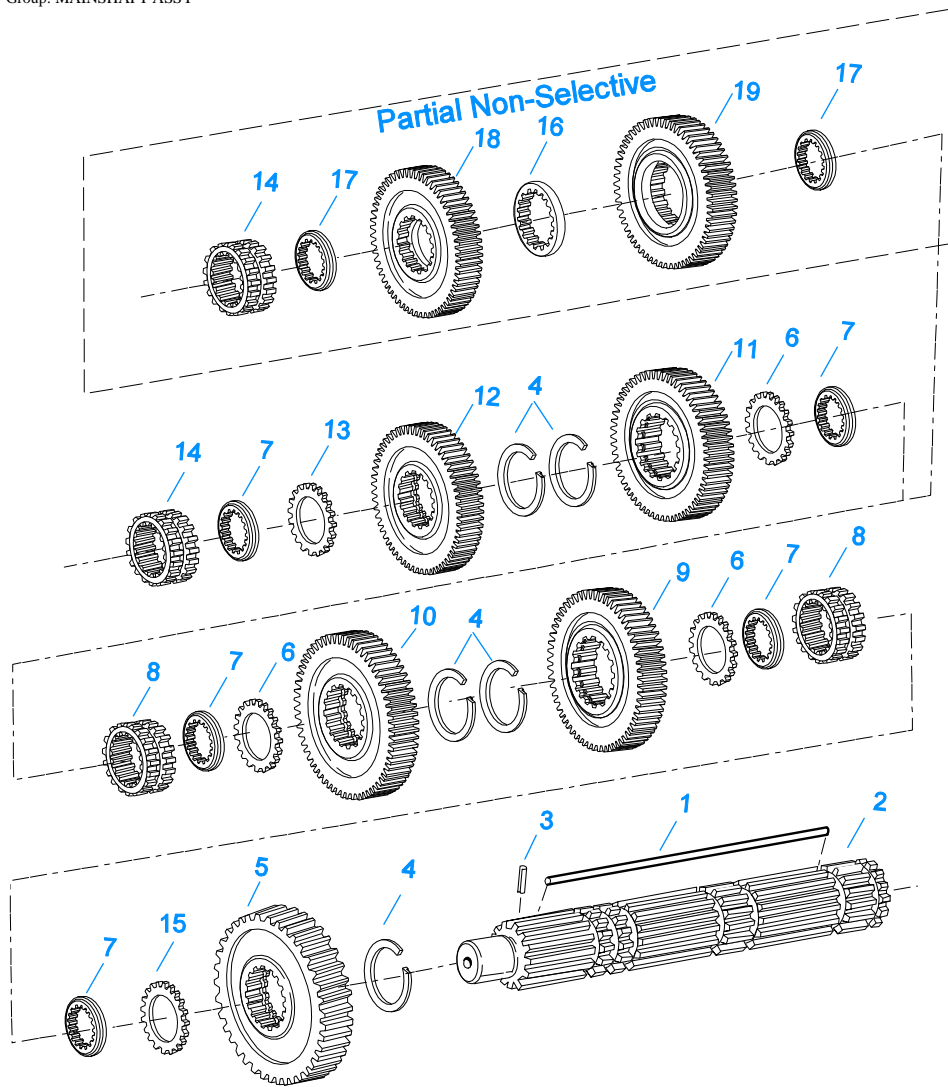
Item	Current Part	Description	Replaced Part	Qty.	Notes	Kits/Assys Where Needed
						1528,S-1579,S-1677,S-1967,S-2129,S-2130,S-2519
9	K-2977	SHIFT LEVER HSG KIT	4301167 ,4304907 ,A - 6040	1	MID TOWER	
13	4303030	PIN		1		K-2973,S-1579,S-2130
13	6541	PIN		1	3/8" - USED W/17167 ONLY	
14	K-2973	SHIFT LEVER HSG KIT	17166 ,17167 ,4303050 ,4304910 ,K - 1630 K - 1941	1	HIGH TOWER	
15	10427	BOOT		1		K-1476,K-2973,K-2977,S-1579,S-1677,S-2130
16	X-1-600	NUT		1	3/8"-24-N.F.PLAIN	
17	X-3-600	LOCKWASHER		1	3/8"	
20	17600	GEAR SHIFT LEVER		1	STRAIGHT - LOW 21-1/2"	
20	18482	GEAR SHIFT LEVER		1	STRAIGHT - HIGH 35"	
21	2538	RETAINER		1		K-1476,K-2973,K-2977,S-1579,S-1677,S-2130
22	2536	SPRING		1		K-1476,K-2973,K-2977,S-1579,S-1677,S-2130
23	K-2428	LEVER REPLACEMENT KIT		1	LOW TOWER	
23	K-2429	LEVER REPLACEMENT KIT		1	HIGH TOWER	
23	K-2978	LEVER REPLACEMENT KIT		1	MID TOWER	
24	S-1579	SHIFT TOWER ASSY		1	HIGH TOWER	
24	S-1677	SHIFT TOWER ASSY		1	LOW TOWER	
24	S-1967	SHIFT TOWER ASSY		1	MID TOWER	
33	S-2129	SHIFT LEVER HSG ASSY		1	LOW TOWER	
33	S-2130	SHIFT LEVER HSG ASSY	S - 2053	1	HIGH TOWER	
33	S-2519	SHIFT LEVER HSG ASSY	S - 2919	1	MID TOWER	



10426-6/93 Aux MS

MAINSHAFT & SYNCHRO(AUX)

Item	Current Part	Description	Replaced Part	Qty.	Notes	Kits/Assys Where Needed
1	4300907	SLIDING CLUTCH		1		
2	X-7-1007	SCREW		1	5/8"-18X1-3/4"	
3	A-6429	RETAINER ASSY	4302334	1		
4	62511	ROLL PIN		1		A-6429,K-2801,S-3024,S-3025
5	4302041	SPLITTER GEAR-MAINSHAFT	4301838	1		
6	14897	SPRING		3		K-2287,K-2769,K-2770,K-2801,K-3344,K-3345,K-3346,K-3492,K-3497
7	A-7331	SYNCHRONIZER ASSY	4304396 4304397 A - 5917	1	HI RANGE	K-3492,K-3497
8	4301840	SLIDING CLUTCH	4303386	1		K-3497
9	A-7254	SYNCHRONIZER ASSEMBLY	A - 4937 A - 5876	1	LO RANGE	K-3492,K-3497
10	4301075	AUXILIARY MAINSHAFT		1		
11	4301842	WASHER		1		K-2801
12	4300940	REDUCTION GEAR	4300934	1		
13	4300912	SPACER		1		K-2801
14	21356-BOX	BEARING	21356	1		K-2287,K-2769,K-2770,K-3344,K-3345,K-3346
15	20191	ROTOR		1		
16	22254	NUT		1		S-2172,S-2769



10320B-3-94 MS w/ OD

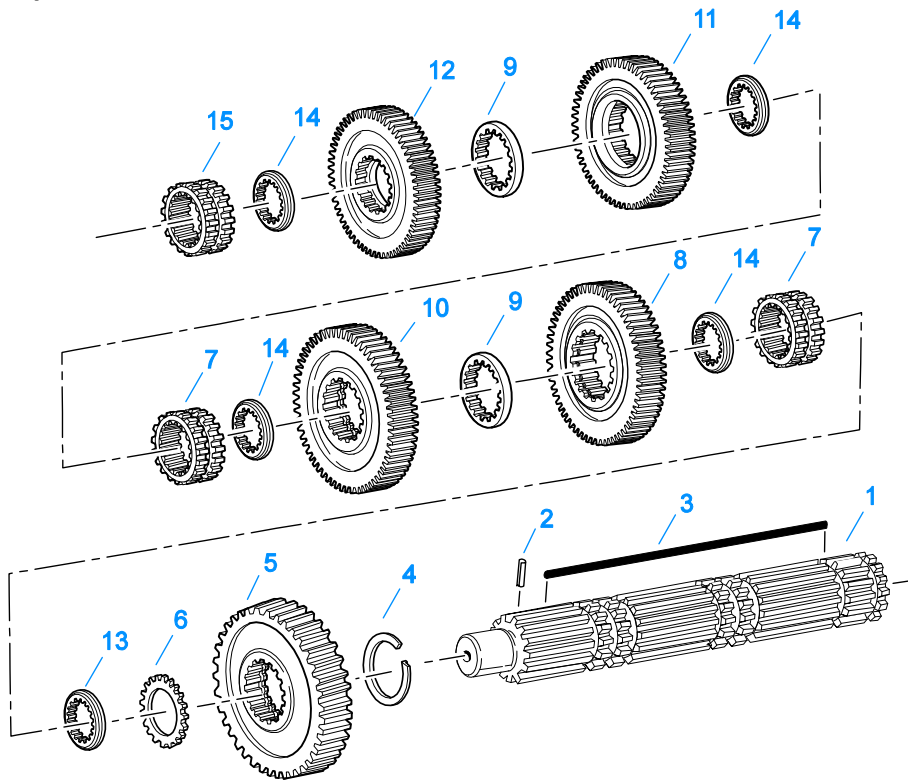
MAINSHAFT ASSY

Item	Current Part	Description	Replaced Part	Qty.	Notes	Kits/Assys Where Needed
1	4304615	3-SIDED KEY	4300120	1		K-2439,K-2801,K-3151
1	K-2439	KEY & WASHER KIT		1	CONTAINS 3-SIDED KEY	
2	S-3108	MAINSHAFT ASSY	4303402, 4303403, S-2562,S-3101	1		K-3151
3	62504	ROLL PIN		1		S-3108
4	14750	SNAP RING		5		K-2287,K-2468,K-2770,K-2801,K-3345,K-3346,K-4125
5	23653	REVERSE GEAR-MAINSHAFT		1		
6	14749	SPACER		3		K-2801
7	4300382	WASHER .249-WHITE		5		K-2439,K-2801
7	4300383	WASHER .254-GREEN		5	OPTIONAL 4300382-4300387 OR 4300830 USE ANY 5 WASHERS. USE WITH 3-SIDED KEY	K-2439,K-2801
7	4300384	WASHER .259-ORANGE		5	OPTIONAL 4300382-4300387 OR 4300830 USE ANY 5 WASHERS. USE WITH 3-SIDED KEY	K-2439,K-2801
7	4300385	WASHER .264-PURPLE		5	OPTIONAL 4300382-4300387 OR 4300830 USE ANY 5 WASHERS. USE WITH 3-SIDED KEY	

Item	Current Part	Description	Replaced Part	Qty.	Notes	Kits/Assys Where Needed
7	4300386	WASHER .269-YELLOW		5	OPTIONAL 4300382-4300387 OR 4300830 USE ANY 5 WASHERS. USE WITH 3-SIDED KEY	
7	4300387	WASHER .274-BLACK		5		
7	4300830	WASHER .244-BLUE		5		K-2439,K-2801
8	16118	SLIDING CLUTCH		2		
9	4300242	LO GEAR-MAINSHAFT	4300033	1		
10	21024	1ST GEAR-MAINSHAFT	4300240	1		
11	19622	2ND GEAR-MAINSHAFT	21263 ,4300246	1		
12	23102	OD GEAR-MAINSHAFT	22960 4300190	1		
13	22032	SPACER		1		
14	4304317	SLIDING CLUTCH	22026	1		K-2770,K-3345
15	4302047	SPACER		1		K-2801
16	4303603	WASHER	4302397	1		K-2801,K-3151
17	4302398	WASHER		2		K-3151
18	4302393	OD GEAR-MAINSHAFT	4305070	1		K-3151
19	4302394	2ND GEAR-MAINSHAFT	4302395	1		K-3151

MISCELLANEOUS

Item	Current Part	Description	Replaced Part	Qty.	Notes	Kits/Assys Where Needed
	4300764	SHIFT DIAGRAM LABEL		1	RTLO/RTLOF	
	4301194	SHIFT DIAGRAM LABEL		1	RTLO/RTLOF WITH VALVE LEFT OF DRIVER	
	71203	SILICONE LUBE		1	8 OZ (236.59 CC)-FLEET SIZE	
	71204	ADHESIVE SEALANT		1	0.5 CC (SINGLE APPLICATION SIZE)	
	71205	SEALANT		1	2 CC (SINGLE APPLICATION SIZE)	K-2770,K-3345
	71206	SILICONE LUBE		1	4 CC (SINGLE APPLICATION SIZE)	K-2428,K-2429,K-2802,K-2803,K-2804,K-2809,K-2978,K-3331

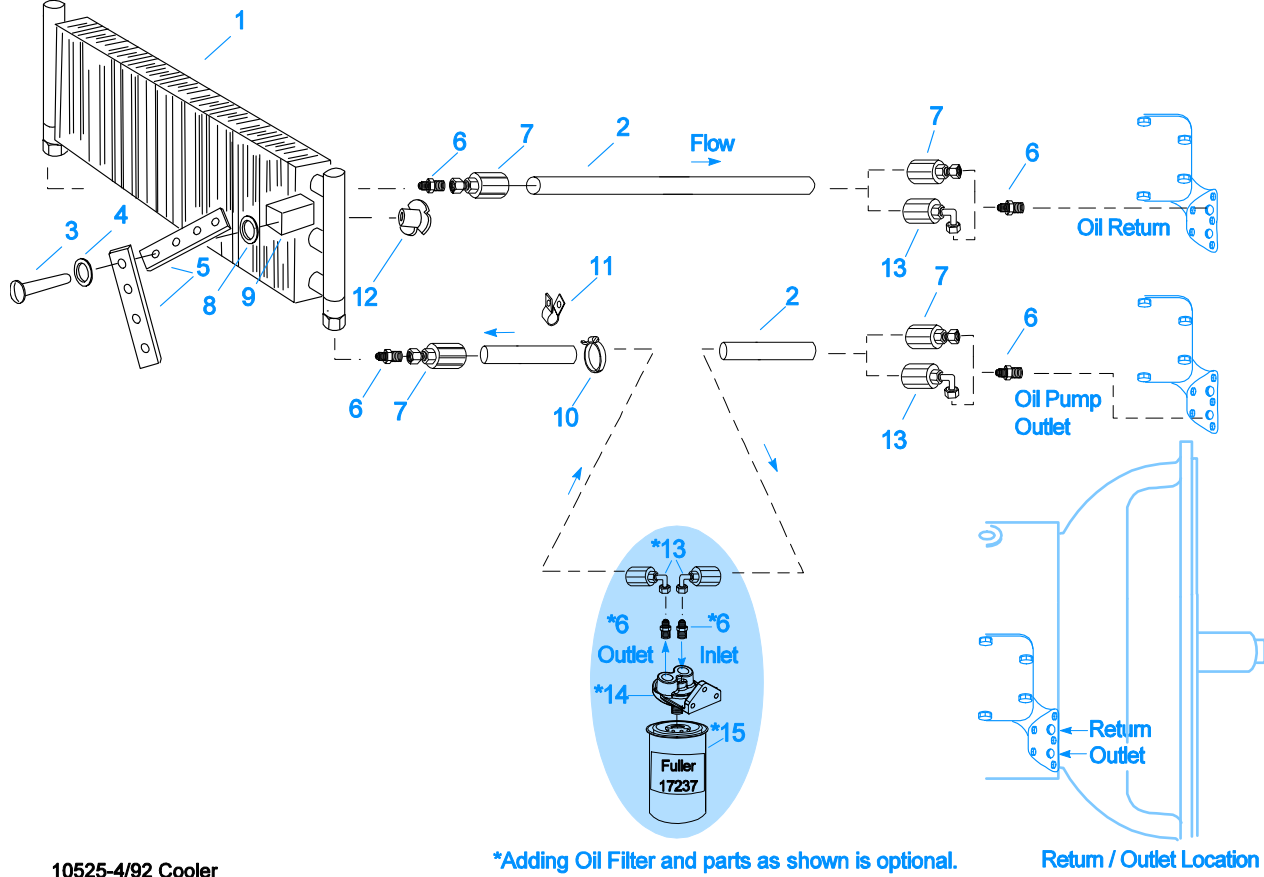


10337B-10-96

NON-SELECTIVE M/S ASSY

Item	Current Part	Description	Replaced Part	Qty.	Notes	Kits/Assys Where Needed
1	S-3108	MAINSHAFT ASSY	4303402, 4303403, S-2562,S-3101	1		K-3151
2	62504	ROLL PIN		1		S-3108
3	4304615	3-SIDED KEY	4300120	1		K-2439,K-2801,K-3151
4	14750	SNAP RING		1		K-2287,K-2468,K-2770,K-2801,K-3345,K-3346,K-4125
5	23653	REVERSE GEAR-MAINSHAFT		1		
6	4302047	SPACER		1		K-2801
7	16118	SLIDING CLUTCH		2		
8	4303412	LO GEAR-MAINSHAFT	4303410	1		K-3151
9	4303603	WASHER	4302397	2		K-2801,K-3151
10	4303420	1ST GEAR-MAINSHAFT	4303408	1		K-3151
11	4302394	2ND GEAR-MAINSHAFT	4302395	1		K-3151
12	4302393	OD GEAR-MAINSHAFT	4305070	1		K-3151
13	4300382	WASHER .249-WHITE		1		K-2439,K-2801
14	4302398	WASHER		4		K-3151
15	4304317	SLIDING CLUTCH	22026	1		K-2770,K-3345

Group: OIL COOLER



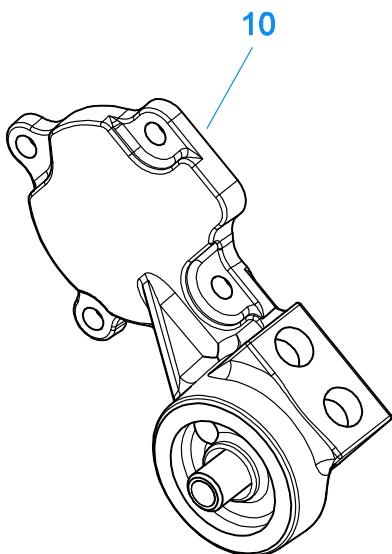
10525-4/92 Cooler

*Adding Oil Filter and parts as shown is optional.

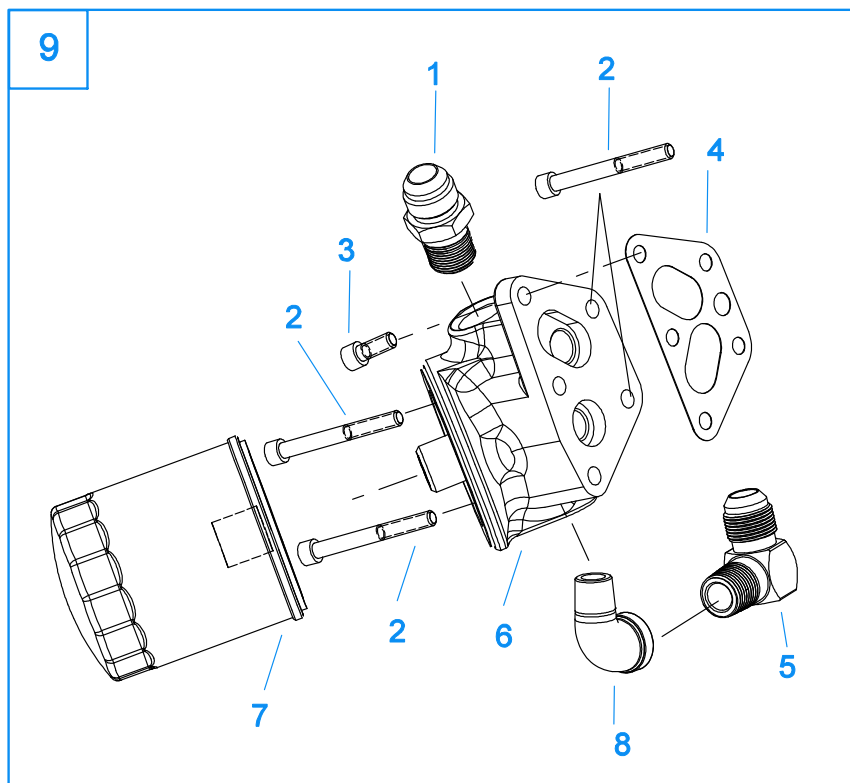
Return / Outlet Location

OIL COOLER

Item	Current Part	Description	Replaced Part	Qty.	Notes	Kits/Assys Where Needed
1	18025	OIL COOLER		1		K-1956
2	19424	HOSE		1	25 FEET	K-1956
3	X-8-535	CAPSCREW		2	5/16"-16X2-1/2"	
4	X-3-506	LOCKWASHER		2	5/16"	
5	18211	BRACKET		4		K-1956
6	19419	CONNECTOR		6		K-1956,K-3441,S-1404
7	19415	SWIVEL		4		K-1956
8	X-10-501	WASHER		2	5/16"	
9	18209	PLUG-RUBBER MOUNT		2		K-1956
10	17190	STRAP		8		K-1956
11	19423	CLAMP		5		K-1956
12	18210	NUT		2		K-1956
13	19422	ELBOW		4		K-1956
14	S-1404	OIL FILTER	17238	1		
15	17237	FILTER ELEMENT		1		S-1404

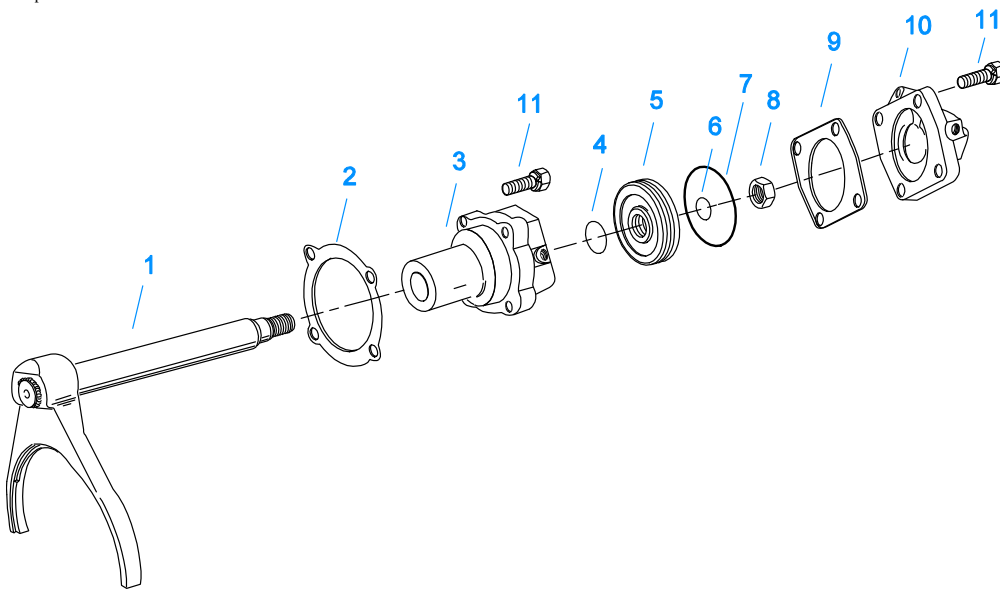


10539-3-00



OIL FILTER

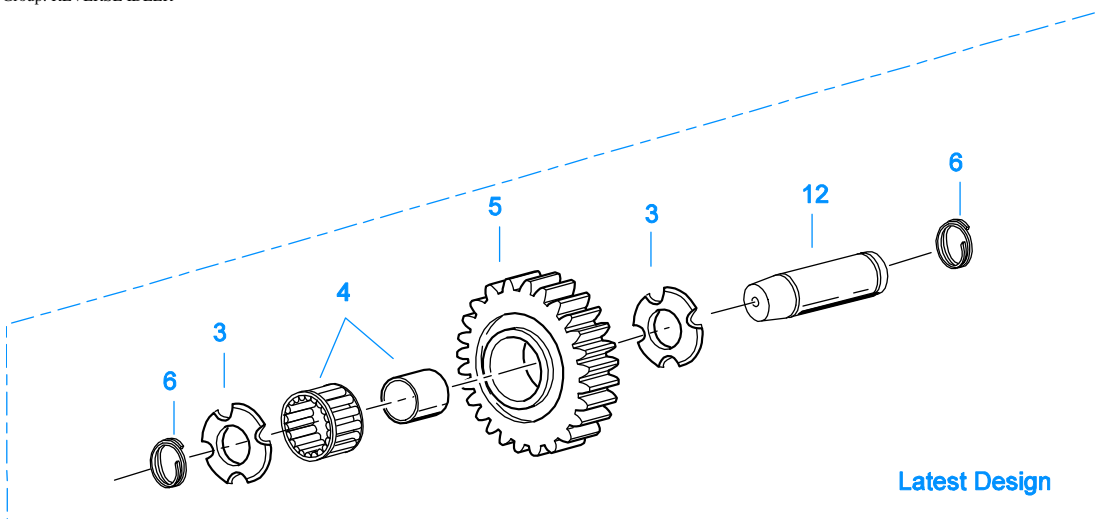
Item	Current Part	Description	Replaced Part	Qty.	Notes	Kits/Assys Where Needed
1	19419	CONNECTOR		1		K-1956,K-3441,S-1404
2	X-8-453	SCREW		4		K-3441
3	X-8-452	SCREW		1		K-3441
4	4304820	GASKET		1		K-3441
5	4301123	ELBOW		1		K-3441
6	K-3441	OIL FILTER/ADAPTER KIT	A - 7174	1		
7	4304827	OIL FILTER ELEMENT		1		K-3441
8	17007	ELBOW		1		K-3441
9	K-3441	OIL FILTER/ADAPTER KIT		1		
10	A-7300	AUX COUNTERSHAFT COVER ASSY		1		



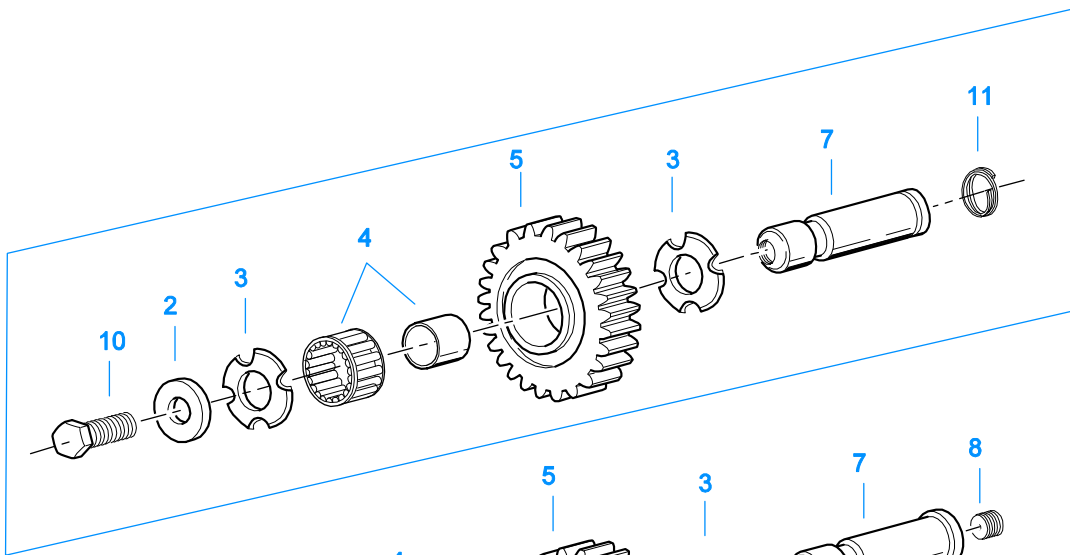
10461A-6/93 Rng Cyl

RANGE CYLINDER

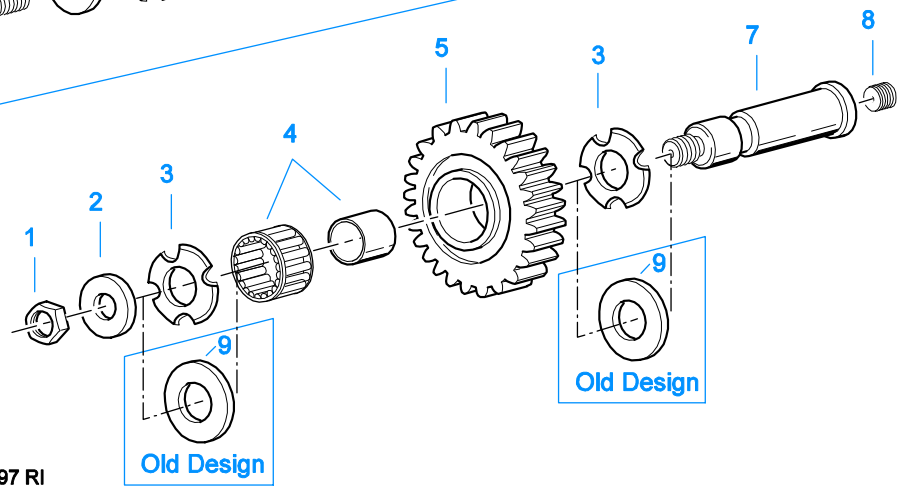
Item	Current Part	Description	Replaced Part	Qty.	Notes	Kits/Assys Where Needed
1	A-6188	WELDED YOKE ASSY		1	BEGINNING W/SERIAL NUMBER 51126221 & ALL SERIAL NUMBERS STARTING WITH AN ALPHA CHARACTER	
1	A-6224	WELDED YOKE ASSY		1	PRIOR TO SERIAL NUMBER 51126221 & PRIOR TO SERIAL NUMBERS STARTING WITH AN ALPHA CHARACTER	
2	14347	GASKET		1		K-1603,K-2199,K-2802,K-2804,K-2809
3	4301847	CYLINDER		1		K-2809
4	14765	-O- RING		1		K-2802,K-2804,K-2809
5	14341	PISTON	23353	1		K-2809
6	14345	-O- RING		1		K-2802,K-2804,K-2809
7	14344	-O- RING		1		K-2802,K-2804,K-2809
8	X-1-1010	NUT		1	5/8"-18	
9	14349	GASKET		1		K-1603,K-2199,K-2802,K-2804,K-2809
10	19690	CYLINDER COVER		1		
11	X-8L-604	CAPSCREW		8	3/8"-16X1-1/4"	



Latest Design



Old Design



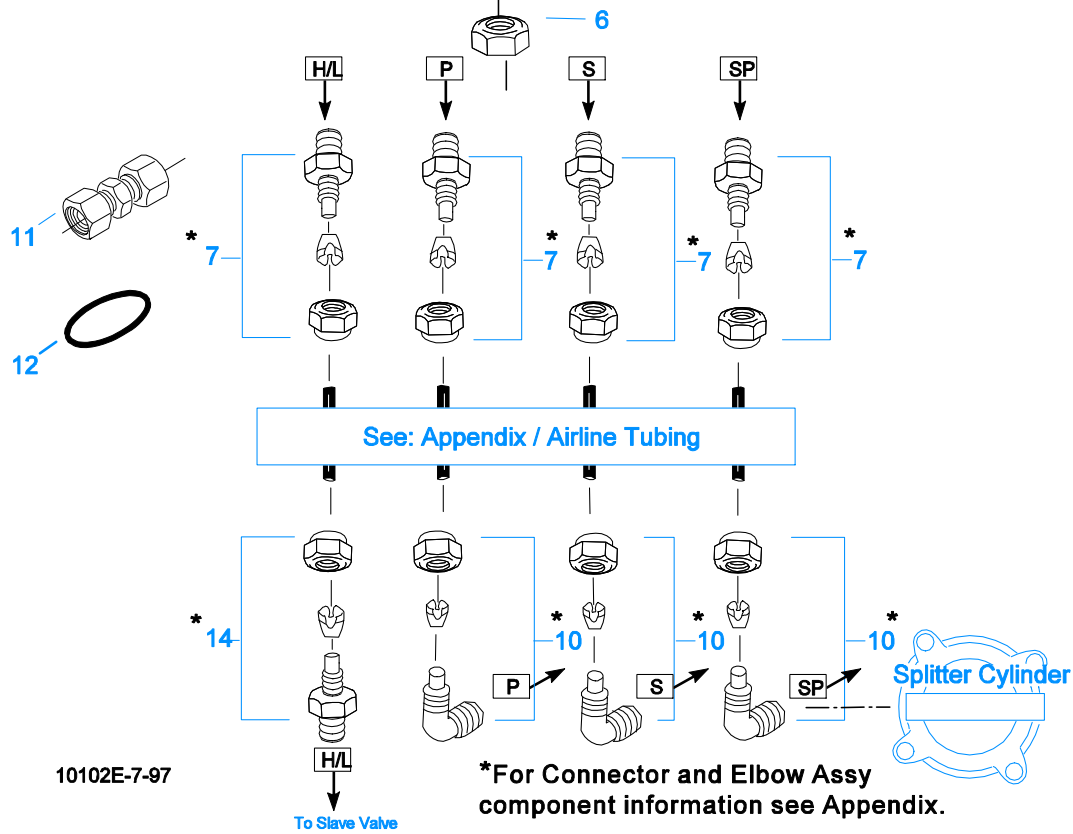
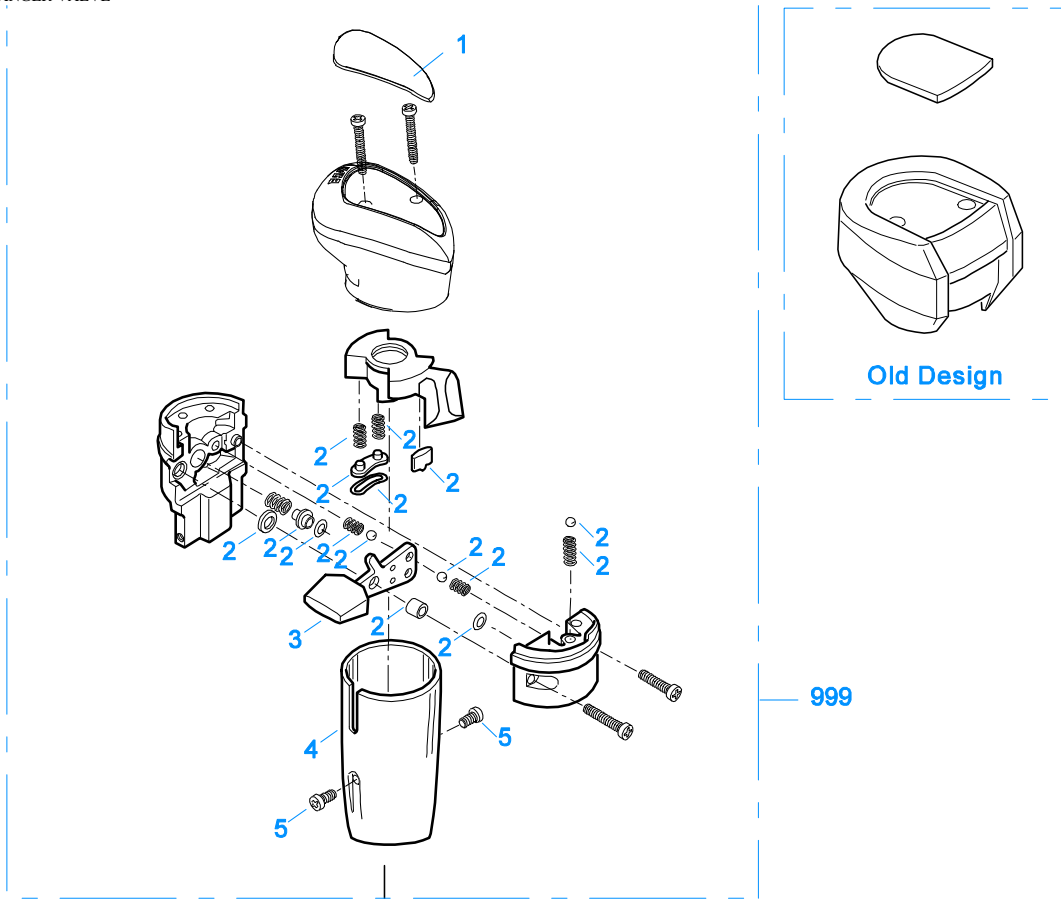
Old Design

11383-5-97 RI

REVERSE IDLER

Item	Current Part	Description	Replaced Part	Qty.	Notes	Kits/Assys Where Needed
1	X-1-1008	NUT		2	5/8"-18	
2	14283	WASHER		2		
3	4302982	WASHER	14282	4		K-3209,S-2084,S-2258
4	14287	BEARING	4305020	2		K-2287,K-2770,K-3345,K-3346
5	16757	REVERSE IDLER GEAR	22409	2		
6	4303336	RETAINING RING		4		K-3209
7	K-3209	IDLER SHAFT REPL KIT	16405,4302981,4305513	2		

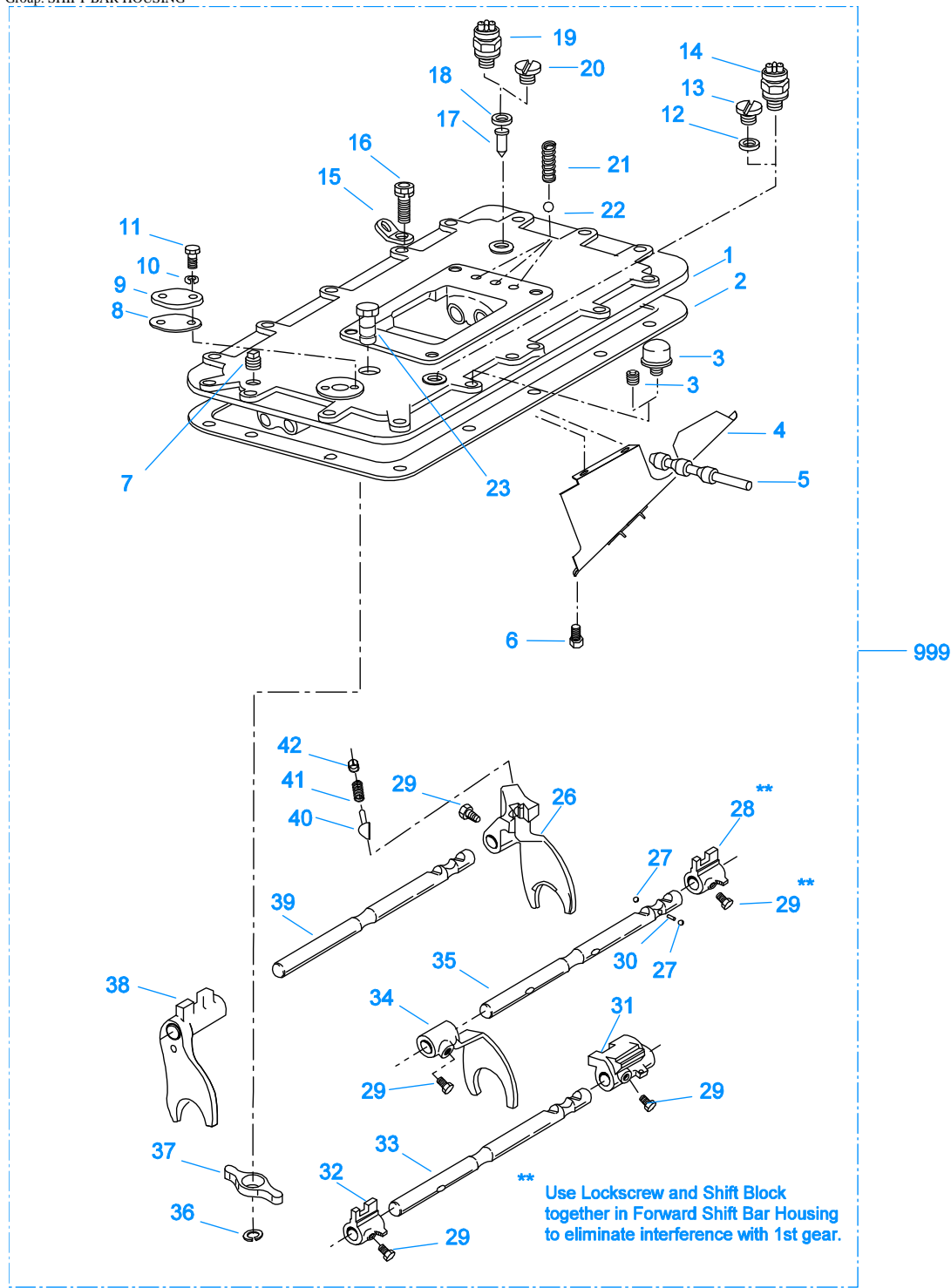
Item	Current Part	Description	Replaced Part	Qty.	Notes	Kits/Assys Where Needed
8	5202	PLUG		2		
9	14282	NO LONGER AVAILABLE		4		
10	X-7-1008	CAPSCREW		2	5/8"-18X1-1/4	
11	4303336	RETAINING RING		2		K-3209
12	4305513	IDLER SHAFT		2		K-3209



10102E-7-97

ROADRANGER VALVE

Item	Current Part	Description	Replaced Part	Qty.	Notes	Kits/Assys Where Needed
1	5586100	MEDALLION, LOGO		1	(LATEST DESIGN) FULLER LOGO ONLY	A-6913,A-7313
1	5586113	SHIFT DIAGRAM MEDALLION		1	RTLO - W/SHIFT PATTERN	S-2578
2	K-3193	MASTER VALVE REPAIR KIT		1	FOR A-6913 VALVE	
2	K-3195	MASTER VALVE REPAIR KIT		1	FOR A-7313 VALVE	
3	20495	LEVER		1		A-6913,A-7313
4	20112	COVER		1		A-6913,A-7313
5	X-8-213	SCREW	X 8 202	2	8-32X3/8"	
6	X-9-802	NUT		1	1/2"-13	
7	84001	CONNECTOR ASSY	82501	4	1/8" TUBE-1/16" NPTF	
7	84003	CONNECTOR ASSY	82503	4	5/32" TUBE-1/16" NPTF	
7	84005	CONNECTOR ASSY		4	"PUSH-TO-CONNECT" 5/32" TUBE-1/16" NPTF	K-2770,K-3345,S-2578
10	85001	ELBOW ASSY	84501	3	5/32" TUBE-1/8" NPTF	
10	85002	ELBOW ASSY	84502	3	1/8" TUBE-1/8" NPTF	
10	85003	ELBOW ASSY		3	"PUSH-TO-CONNECT" 5/32" TUBE-1/8" NPTF	K-2769,K-2770,K-3331,K-3344,K-3345
11	84101	UNION ASSY		1	1/8" TUBING	
11	84102	UNION ASSY		1	5/32" TUBING	
11	84103	UNION ASSY		1	"PUSH-TO-CONNECT" 5/32" TUBING	
12	13571	-O- RING CLAMP		2		
14	84002	CONNECTOR ASSY	82502	1	1/8" TUBE-1/8" NPTF	
14	84004	CONNECTOR ASSY	82504	1	5/32" TUBE-1/8" NPTF	
14	84006	CONNECTOR ASSY		1	"PUSH-TO-CONNECT" 5/32" TUBE-1/8" NPTF	
999	A-6913	ROADRANGER VALVE ASSY	A - 4900	1	STANDARD-W/LOGO	
999	A-7313	ROADRANGER VALVE ASSY	A - 5313	1	(LEFT OF DRIVER)-W/LOGO	
999	S-2578	ROADRANGER VALVE ASSY		1	RTLO - W/SHIFT PATTERN	



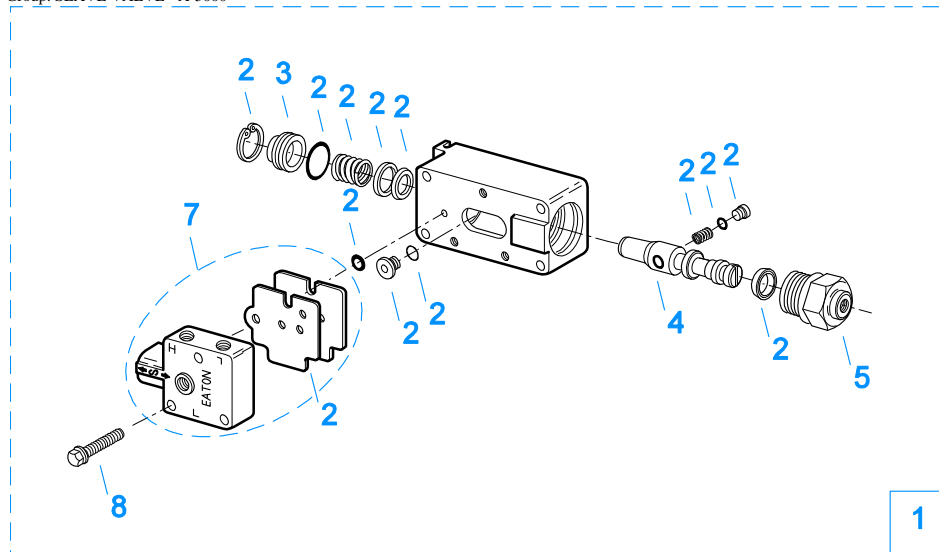
10253-11-96 X-Forward

SHIFT BAR HOUSING

Item	Current Part	Description	Replaced Part	Qty.	Notes	Kits/Assys Where Needed
1	S-1446	SHIFT BAR HSG	18925 ,20136 ,20216 ,20217 ,20488 21136 ,S - 1361	1	HOUSING ONLY (XF)	
2	4302676	GASKET	14918	1		K-2199,S-1528
3	4304602	BREATHER	23605	1	1/4" NPT	
3	X-12-404	PIPE PLUG		1	1/4" NPT	
4	20070	OIL TROUGH		1		S-1528

Item	Current Part	Description	Replaced Part	Qty.	Notes	Kits/Assys Where Needed
5	20332	AIR VALVE SHAFT	17177	1		S-1528
6	X-8-423	CAPSCREW		2	1/4"-20X1/2"	
7	X-12-603	PIPE PLUG	X12 602	1	3/8" NPT	
8	20209	GASKET		1		S-1446,S-1528
9	20199	PLATE	18724	1		S-1446,S-1528
10	X-3-400	LOCKWASHER		2	1/4"	
11	X-8-406	CAPSCREW		2	1/4"-20X3/4"	
12	17179	GASKET		1		S-1446,S-1528
13	4303655	PLUG	17178	1		S-1446,S-1528
14	22941	NEUTRAL LIGHT SWITCH	12639	1	SWITCH NORMALLY CLOSED	
15	20815	LIFTING EYE	17105	2		S-2172,S-2769
16	X-8L-602	CAPSCREW		2	3/8"-16X1-1/2"	
16	X-8L-604	CAPSCREW		16	3/8"-16X1-1/4"- OR USE 14 PCS OF X-8L-604 WITH 2 PCS OF X-8L-602	
17	15899	PIN		1		S-1446,S-1528
18	15900	GASKET		1		S-1446,S-1528
19	22940	REVERSE LIGHT SWITCH	16830	1	SWITCH NORMALLY OPEN	
20	4303656	PLUG	15917	1		S-1446,S-1528
21	15918	SPRING		3		K-2770,K-2801,K-3345,S-1528
22	X-14-800	STEEL BALL		3	1/2"	
23	K-3104	ACTUATOR PIN KIT	4303287	1		
26	16338	SHIFT YOKE		1	REVERSE/LO	S-1528
27	X-14-1200	STEEL BALL		2	3/4"	
28	15770	SHIFT BLOCK		1	1ST/2ND	S-1528
29	22943	LOCKSCREW		1	USE W/15770 SHIFT BLOCK	S-1528
29	3220	LOCKSCREW		4		S-1528
30	1634	INTERLOCK PIN		1		K-2801,S-1528
31	19062	SHIFT BLOCK		1	3RD/OD	S-1528
32	20120	SHIFT BLOCK	18924	1	3RD/OD	S-1528
33	18931	YOKE BAR	4302759	1	3RD/OD	S-1528
34	18922	SHIFT YOKE		1	1ST/2ND	S-1528
35	18930	YOKE BAR		1	1ST/2ND	S-1528
36	4302070	SNAP RING		1		K-3104,S-1528
37	4303225	ACTUATOR		1		S-1528
38	4305575	SHIFT YOKE	20450	1	3RD/OD	S-1528
39	18929	YOKE BAR		1	REVERSE/LO	S-1528
40	10019	PLUNGER		1		S-1219,S-1528
41	6392	SPRING		1		S-1219,S-1528
42	8968	PLUG		1		S-1219,S-1528
999	S-1528	SHIFT BAR HSG ASSY	20217 ,21136	1	COMPLETE (XF)	

Group: SLAVE VALVE - A-5000

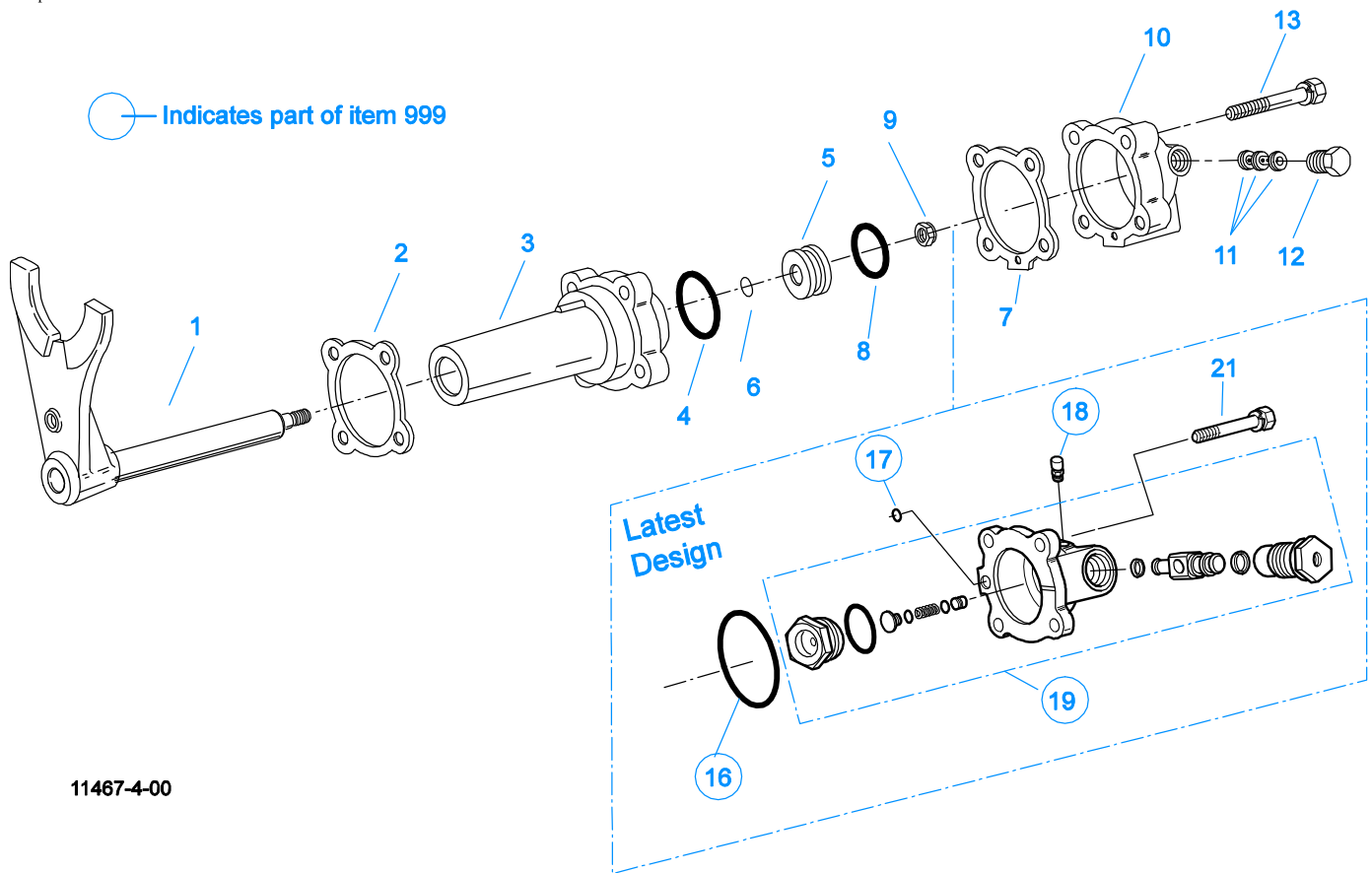


2 Repair Kit

10120-10-97 A-5000 SV

SLAVE VALVE - A-5000

Item	Current Part	Description	Replaced Part	Qty.	Notes	Kits/Assys Where Needed
1	A-5000	SLAVE VALVE ASSY	20850	1		
2	K-1935	REPAIR KIT-SLAVE VALVE		1	FOR A-5000 VALVE	
3	20855	PLUG		1		A-5000
4	20854	PISTON		1		A-5000
5	20849	CAP	15131	1		A-5000
7	S-1516	CAP ASSY	20851 ,20853	1		
8	X-8C-413	CAPSCREW		3	1/4"-20X1-1/2"	



11467-4-00

SPLITTER CYLINDER

Item	Current Part	Description	Replaced Part	Qty.	Notes	Kits/Assys Where Needed
1	A-7011	SPLITTER YOKE ASSY	A - 6303 ,A - 6894	1	PRIOR TO SERIAL NUMBER 51126221 & PRIOR TO SERIAL NUMBERS STARTING WITH AN ALPHA CHARACTER	
1	A-7012	SPLITTER YOKE ASSY	A - 6304 ,A - 6892	1	BEGINNING W/SERIAL NUMBER 51126221 & ALL SERIAL NUMBERS STARTING WITH AN ALPHA CHARACTER	
2	14632	GASKET		1	PRIOR TO SERIAL NUMBER 51126221 & PRIOR TO SERIAL NUMBERS STARTING WITH AN ALPHA CHARACTER	K-1603,K-2199,K-2803,K-2804
2	4303583	GASKET		1	BEGINNING W/SERIAL NUMBER 51126221 & ALL SERIAL NUMBERS STARTING WITH AN ALPHA CHARACTER	K-1603,K-2199,K-2803,K-2804
3	21609	SPLITTER CYLINDER		1	PRIOR TO SERIAL NUMBER 51126221 & PRIOR TO SERIAL NUMBERS STARTING WITH AN ALPHA CHARACTER	
3	4303582	SPLITTER CYLINDER		1	BEGINNING W/SERIAL NUMBER 51126221 & ALL SERIAL NUMBERS STARTING WITH AN ALPHA CHARACTER	
4	21208	-O- RING		1		K-2803,K-2804
5	4301964	PISTON		1		
6	13653	-O- RING		1		K-2803,K-2804,K-3331
7	17073	GASKET		1		K-1603,K-2199,K-2803,K-2804
8	21209	-O- RING		1		K-2803,K-2804
9	X-1-805	NUT		1		
10	K-3331	SPLITTER VLV REPL KIT	4300927 ,4304031	1		

Item	Current Part	Description	Replaced Part	Qty.	Notes	Kits/Assys Where Needed
11	19974	INSERT VALVE	,4304032 ,A - 6862 15512 4303616	1		K-2287,K-2769,K-2770,K-3344,K-3345,K-3346
12	15719	PLUG		1		
13	X-8L-540	CAPSCREW		4	5/16"-18X1-7/8"	
16	5568534	-O- RING		1		K-2804,K-3331
17	13653	-O- RING		1		K-2803,K-2804,K-3331
18	X2014210	BREATHER	7935	1		
19	K-3331	SPLITTER VLV REPL KIT	4300927 ,4304031 ,4304032 ,A - 6862	1		
21	X-8L-540	CAPSCREW		4	5/16"-18X1-7/8"	
999	K-3331	SPLITTER VLV REPL KIT	4300927 ,4304031 ,4304032 ,A - 6862	1		