



## Eaton Fuller RTLOF-17610B-T2 Transmission Parts Manual

This is Eaton Fuller RTLOF-17610B-T2 Transmission parts manual brought to you by Pro Gear and Transmission to assist you identifying the parts for your Eaton / Fuller transmission unit.

If you need any assistance identifying the correct Eaton / Fuller unit for your truck and equipment, contact your Eaton replacement parts specialists at Pro Gear and Transmission.

Pro Gear stocks every part for your Eaton transmission including: Valve Assemblies, Synchronizers, Yoke Assemblies, O-Ring Kits, Drive Gears, Gaskets, Bearing and Seal Kits, and much more.

Pro Gear and Transmission has same day shipping and thousands of products in stock and ready to ship internationally for your next project.

For parts or service contact the Eaton transmission specialists at Pro Gear & Transmission, Inc.

 CALL US

 EMAIL US

 VISIT MODEL PAGE

 VISIT ONLINE STORE



**Roadranger®**

More time on the road®

# Illustrated Parts List

---

**RTLOF-17610B-T2**  
**July 2011**

## Contents

|   |    |
|---|----|
| How To Use The Illustrated Parts List ..... | 3  |
| AUXILIARY DRIVE GEAR.....                   | 4  |
| CASE (AUX) .....                            | 5  |
| CASE (FRONT).....                           | 7  |
| COUNTERSHAFT & BRGS(AUX).....               | 9  |
| COUNTERSHAFT ASSY.....                      | 10 |
| FILTER REGULATOR.....                       | 11 |
| HOSES & CONNECTIONS .....                   | 12 |
| INPUT SHAFT & DRIVE GEAR .....              | 14 |
| INTEGRAL OIL PUMP .....                     | 15 |
| ISOLATORS .....                             | 17 |
| KITS & ASSEMBLIES .....                     | 18 |
| LEVERS/HOUSINGS .....                       | 20 |
| MAINSHAFT & SYNCHRO(AUX).....               | 22 |
| MAINSHAFT ASSY.....                         | 23 |
| MISCELLANEOUS .....                         | 24 |
| OIL COOLER.....                             | 25 |
| RANGE CYLINDER.....                         | 26 |
| REVERSE IDLER.....                          | 27 |
| ROADRANGER VALVE .....                      | 30 |
| SHIFT BAR HOUSING (F).....                  | 31 |
| SPLITTER CYLINDER .....                     | 33 |
| TOP 2 VALVE .....                           | 34 |

## How To Use The Illustrated Parts List

The information contained in this document is subject to frequent updates. Therefore, for the latest information available, please visit the interactive Electronic Parts Catalog at [www.roadranger.com/epc](http://www.roadranger.com/epc).

### Model Designation or Nomenclature

- For information regarding Model Designation and Nomenclature, visit [www.roadranger.com](http://www.roadranger.com).

### Kits and Assemblies (K/A's)

- Kits and Assemblies contain groups of individual or assembled parts developed for optimal replacement or repair of a service problem.
- Kits and Assemblies are shown with applicable parts groupings in the parts listings.

### Identifying Kits and Assemblies

A- Part numbers beginning with the letter 'A' are pre-assembled Production Assemblies

K- Part numbers beginning with the letter 'K' are kits that are not assembled

S- Part numbers beginning with the letter 'S' are pre-assembled Service Assemblies

- Note: Some Production Assemblies do not begin with a letter prefix (Midrange only).

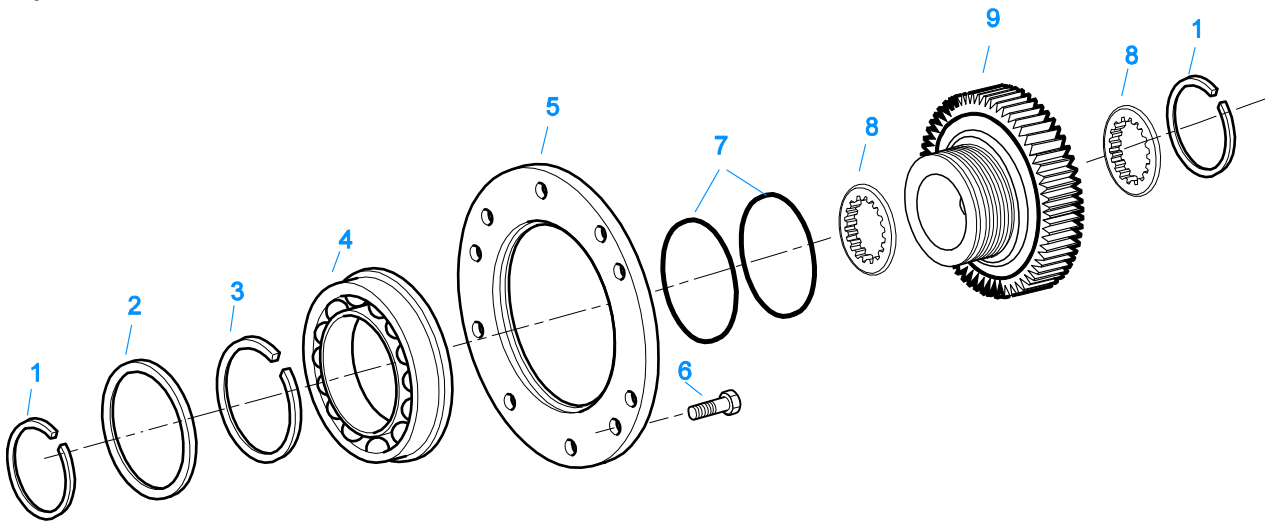
### Illustrations

- Illustrations show parts in assembly groups.
- Item numbers on illustrations correspond with parts listings on pages adjacent to the illustration.
- Notes are included on illustrations where additional information is needed.

### Parts Listing

Parts listings are defined by parts groupings and are broken down by service assemblies. Parts listings identify a part for servicing with the following categories

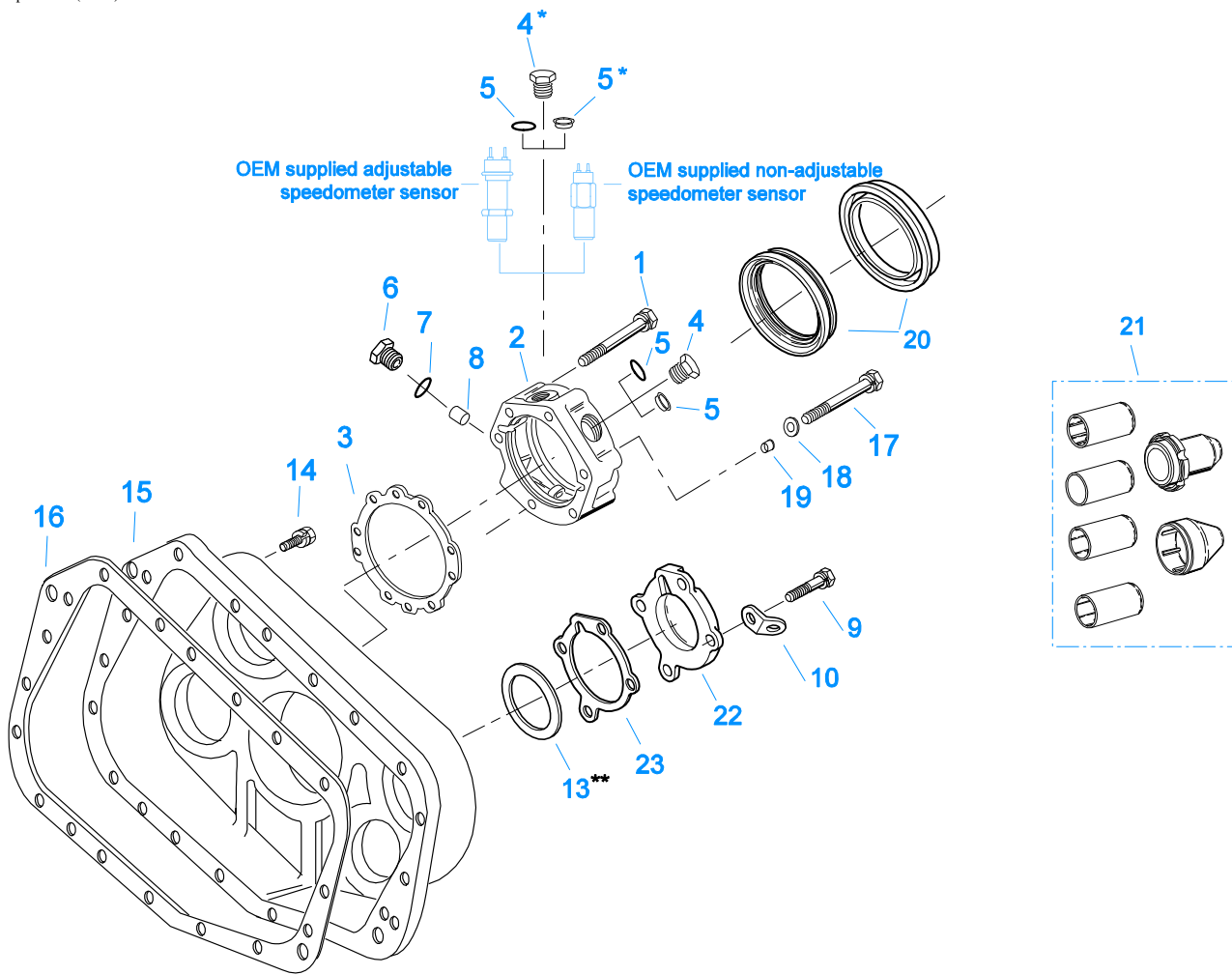
- **Item Number** - corresponding with numbers on illustrations for part identification.
- **Current Part** - identifies part as it is available for service.
- **Description** - specifies part name or description.
- **Replaced Part** - quantity quantity required for assembly.
- **Quantity** - defines unique characteristics or requirements.
- **Notes** - indicates Kits or Assemblies that contain a particular part.
- **Kits/Assy's Where Used**



10481-12/92 Aux DG

## AUXILIARY DRIVE GEAR

| Item | Current Part | Description         | Replaced Part    | Qty. | Notes      | Kits/Assys Where Needed |
|------|--------------|---------------------|------------------|------|------------|-------------------------|
| 1    | 16763        | SNAP RING           |                  | 2    |            | K-2756,K-2765,K-2773    |
| 2    | 21320        | SNAP RING RETAINER  |                  | 1    |            | K-2640                  |
| 3    | 16628        | SNAP RING           |                  | 1    |            | K-2756                  |
| 4    | 5566507-BOX  | BEARING             | 5566504,5566507  | 1    |            | K-2765,K-2773           |
| 5    | 16138        | BEARING RETAINER    |                  | 1    |            |                         |
| 6    | X-8-645      | CAPSCREW            | X 8 612          | 6    | 3/8"-16X1" |                         |
| 7    | 17453        | -O- RING            |                  | 2    |            | K-2640,K-2765,K-2773    |
| 8    | 21599        | WASHER              |                  | 2    |            |                         |
| 9    | K-2640       | REPL KIT-DRIVE GEAR | 4301397 ,4301520 | 1    |            |                         |



\* Note — Items 4 & 5 / Magnetic Speedometer Openings:  
 Use 13679 "O" ring w/ OEM supplied adjustable speedometer sensor and  
 20225 "O" ring w/ OEM supplied non-adjustable speedometer sensor or Eaton part #20224 Plug  
 \*\* See Service Manual for Proper Shimming Procedure

11405-06-01

**CASE (AUX)**

| Item | Current Part | Description         | Replaced Part   | Qty. | Notes   | Kits/Assys Where Needed                          |
|------|--------------|---------------------|---|------|---|--|
| 1    | X-8L-611     | CAPSCREW            |   | 5    | 3/8"-16X3-1/4"  |  |
| 2    | S-2119       | REAR BRG COVER ASSY | 20048 ,22045 ,4302009<br>,4302031 ,S - 1558 S -<br>1560 | 1    | EXTENDED  |  |
| 3    | 15532        | GASKET              |   | 1    |   | K-1603,K-2262,K-<br>2295,S-2119<br>S-2119,S-2781 |
| 4    | 20224        | PLUG-MAGNETIC       |   | 2    |   |  |
| 5    | 13679        | -O- RING            |   | 1    | USE W/OEM SUPPLIED<br>ADJUSTABLE SPEEDOMETER<br>SENSOR  |  |
| 5    | 20225        | -O- RING            |   | 2    | USE W/20224 PLUG OR OEM<br>SUPPLIED NON-ADJUSTABLE<br>SPEEDOMETER SENSOR NOT TO<br>BE USED WITH 4301954 SEAL<br>O-RING NOT REQUIRED |  |
| 5    | 4301954      | SENSOR SEAL         |   | 2    |   | S-2119   |
| 6    | 20226        | PLUG-MECHANICAL     | 2237  | 1    |   | S-2119,S-2781                                    |
| 7    | 14142        | -O- RING            |   | 1    |   | S-2119,S-2781                                    |
| 8    | 7992         | BUSHING             |   | 1    |   | S-2119   |
| 9    | X-8L-602     | CAPSCREW            |   | 8    | 3/8"-16X1-1/2"  |  |
| 10   | 20815        | LIFTING EYE         | 17105   | 2    |   |  |

| Item | Current Part | Description        | Replaced Part     | Qty. | Notes                  | Kits/Assys Where Needed     |
|------|--------------|--------------------|-------------------|------|------------------------|-----------------------------|
| 13   | K-2430       | SHIM KIT           | 21452             | 1    |                        | K-2765,K-2773,S-2781        |
| 14   | X-8L-602     | CAPSCREW           |                   | 17   | 3/8"-16X1-1/2"         |                             |
| 14   | X-8L-614     | CAPSCREW           |                   | 2    | 3/8"-16X2"             |                             |
| 15   | 4303592      | REAR HOUSING       |                   | 1    |                        |                             |
| 16   | 14335        | GASKET             |                   | 1    |                        | K-1603,K-2295,S-2781        |
| 17   | X-8-611      | CAPSCREW           |                   | 1    | 3/8"-16X3-1/4"         |                             |
| 18   | 17106        | GASKET             |                   | 1    |                        | K-2262,K-2295,S-2119        |
| 19   | 19709        | COLLAR             |                   | 1    |                        | K-1603,K-2262,K-2295,S-2119 |
| 20   | K-2262       | OIL SEAL W/SLINGER | 19109 20807 20808 | 1    | "FOR MECHANICAL COVER" | K-2765,K-2773               |
| 21   | K-3651       | OIL SEAL TOOL KIT  |                   | 1    |                        |                             |
| 22   | 4302320      | COVER              | 21346             | 2    |                        | S-2781                      |
| 23   | 4305978      | GASKET             | 4302246           | 2    |                        | K-1603,K-2295,S-2781        |



10300B-8-00

\* Bushing quantity requirements: #1 Housing – Upper bore use 4 #12815 / Lower bore use 2 #8677.

#2 Housing – Upper bore use 2 #12815 and 1 #8677 / Lower bore use 2 #8677.

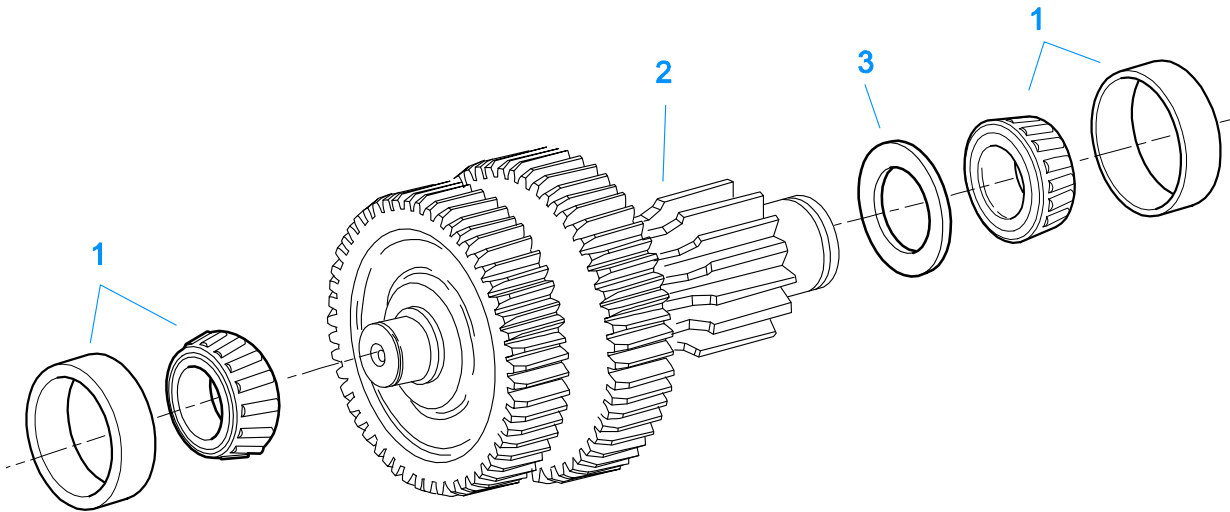
Note: Some part requirements are specific to #1 or #2 Aluminum or Iron Clutch Housings and Push or Pull type Clutch.

### CASE (FRONT)

| Item | Current Part | Description           | Replaced Part                | Qty. | Notes                                    | Kits/Assys Where Needed |
|------|--------------|-----------------------|------------------------------|------|--|-------------------------|
| 1    | S-2062       | CASE ASSY             | 4301790                      | 1    | FOR USE W/INTEGRAL PUMP                  |                         |
| 2    | 4304023      | PLUG                  | 4303747                      | 1    | 1-1/16" MAGNETIC, O-RING INCLUDED        |                         |
| 2    | X-12-2007    | PIPE PLUG             | X12 2006                     | 1    |  |                         |
| 3    | 4304023      | PLUG                  | 4303747                      | 1    | 1-1/16" MAGNETIC, O-RING INCLUDED        |                         |
| 3    | X-12-1207    | PIPE PLUG             | X12 1202 ,X12 1206           | 1    | 3/4" MAGNETIC                            |                         |
| 4    | 4305310      | GASKET                | 4302810                      | 1    |  | K-2295                  |
| 5    | 4302809      | PTO COVER             | 16596, 4300571               | 1    |  |                         |
| 6    | X-8-725      | CAPSCREW              | X 8 724                      | 8    | 7/16"-14X7/8"                            |                         |
| 7    | 4306584      | CLUTCH HOUSING GASKET | 4304815,4305668              | 1    |  | K-2295,K-4051           |
| 8    | A-3713       | CLUTCH HOUSING ASSY   | A - 3700                     | 1    | #1 PUSH-PULL IRON                        |                         |
| 8    | A-3723       | CLUTCH HOUSING ASSY   | A - 3721 ,A - 3722           | 1    | #2 PUSH-PULL IRON                        |                         |
| 8    | A-5992       | CLUTCH HOUSING ASSY   | 4301103                      | 1    | #1 PULL ALUM.(SPECIAL-LIGHTER WEIGHT)    |                         |
| 9    | 239614       | SCREW                 | X-8L-509                     | 4    | 5/16-18X.81 QUANTITY DEPENDENT ON DESIGN |                         |
| 10   | 14506        | HAND HOLE COVER       |                              | 1    | #2 PUSH                                  |                         |
| 10   | 14507        | HAND HOLE COVER       |                              | 1    | #2 PULL                                  |                         |
| 10   | 4305230      | HAND HOLE COVER       | 11453                        | 1    | #1 PULL                                  |                         |
| 10   | 4305231      | HAND HOLE COVER       | 1565                         | 1    | #1 PUSH                                  |                         |
| 11   | 4306583      | STUD                  | 5966                         | 6    |  |                         |
| 12   | X-10-1005    | WASHER                | X 3 1000 ,X10 1000 ,X10 1004 | 6    | 1.23 X 6.60                              | K-4051                  |
| 13   | X-1-1012     | HEX NUT               | X-1-1005                     | 6    | .625-18                                  | K-4051                  |
| 14   | 20550        | FRONT BRG COVER       |                              | 1    | 2" PULL                                  |                         |
| 15   | X-8L-604     | CAPSCREW              |                              | 6    | 3/8"-16X1-1/4"                           |                         |
| 16   | 20549        | FRONT BRG COVER       |                              | 1    | 2" PUSH                                  |                         |
| 17   | 14311        | GASKET                |                              | 1    |  | K-2295                  |



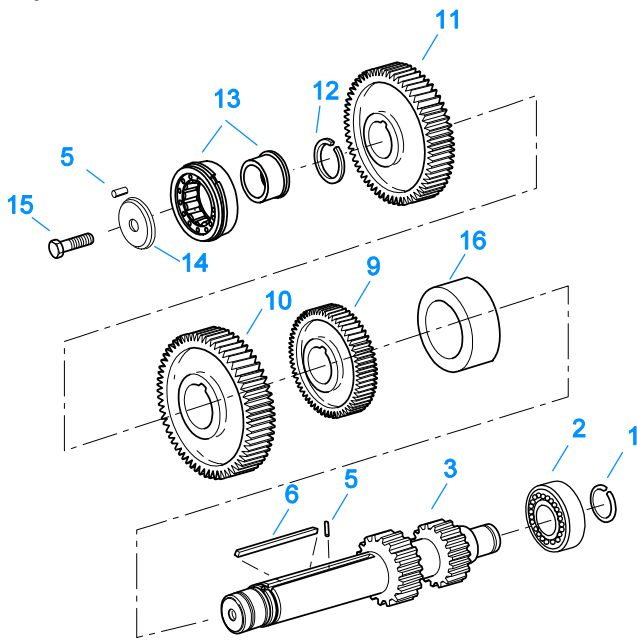
| Item | Current Part | Description                   | Replaced Part                   | Qty. | Notes   | Kits/Assys Where Needed |
|------|--------------|-------------------------------|---------------------------------|------|---|-------------------------|
| 18   | 12815        | BUSHING                       |                                 | 4    | FOR #1 HOUSING UPPER  | A-3713,A-3723,A-5992    |
| 18   | 12815        | BUSHING                       |                                 | 2    | FOR #2 HOUSING UPPER  | A-3713,A-3723,A-5992    |
| 18   | 8677         | BUSHING                       |                                 | 1    | FOR #2 HOUSING UPPER  | A-3713,A-3723           |
| 19   | 8677         | BUSHING                       |                                 | 2    | FOR #1 AND #2 HOUSING LOWER   | A-3713,A-3723           |
| 20   | X-8C-830     | HEX HEAD<br>SCREW/WASHER ASSY | X-8C-826                        | 4    | .500-13 X 1.490, USE 2 PCS FOR IRON<br>HOUSING, USE 4 PCS FOR<br>ALUMINUM HOUSING | K-4051                  |
| 20   | X-8C-831     | HEX HEAD<br>SCREW/WASHER ASSY | X-8C-822                        | 2    | .500-13 X 3.460, FOR IRON HOUSING   | K-4051                  |
| 22   | X-8-686      | CAPSCREW                      |                                 | 6    | 3/8"-16X3/4"  |                         |
| 23   | 14575        | PTO COVER                     | 4302254                         | 1    |   |                         |
| 24   | 4305309      | GASKET                        | 1684                            | 1    |   | K-2295                  |
| 27   | 14373        | MAGNET                        |                                 | 3    |   | S-2062                  |
| 28   | 18128        | PIN                           |                                 | 2    |   |                         |
| 29   | X-1-1012     | HEX NUT                       |                                 | 2    | .625-18   | K-4051                  |
| 30   | X-10-1005    | WASHER                        | X 3 1000 ,X10 1000<br>,X10 1004 | 2    | 1.23 X 6.60   | K-4051                  |
| 31   | 14554        | STUD                          | 1632 ,6579                      | 2    | 5/8" X 2-3/16"  |                         |
| 36   | 23104        | PLUG                          | 1712                            | 2    |   |                         |
| 37   | X-8-1005     | CAPSCREW                      |                                 | 2    | 5/8"-11X1-1/4"  |                         |
| 38   | 20814        | SPACER                        |                                 | 2    |   |                         |
| 39   | X-12-802     | PIPE PLUG                     | X12 800                         | 1    | 1/2"  |                         |



10441-4/92 Aux CS 13/18 spd

### COUNTERSHAFT & BRGS(AUX)

| Item | Current Part | Description              | Replaced Part | Qty. | Notes                                 | Kits/Assys Where Needed |
|------|--------------|--------------------------|---------------|------|---------------------------------------|-------------------------|
| 1    | 4302074-BOX  | BEARING                  | 21343,4302074 | 4    |                                       | K-2765,K-2773           |
| 2    | A-6387       | WELDED COUNTERSHAFT ASSY |               | 2    | C/S 4301398 - D/G 4301399 S/G 4302696 |                         |
| 3    | 4300184      | SPACER                   |               | 2    |                                       |                         |



10343-11/92 CS-LO Inertia

## COUNTERSHAFT ASSY

| Item | Current Part | Description         | Replaced Part                | Qty. | Notes                        | Kits/Assys Where Needed     |
|------|--------------|---------------------|------------------------------|------|------------------------------|-----------------------------|
| 1    | 14317        | SNAP RING           |                              | 2    |                              | K-2756,K-2765,K-2773        |
| 2    | 14366        | BEARING             |                              | 2    |                              | K-2765,K-2773               |
| 3    | K-2932       | CNTRSHFT W/REV & LO | 4301395 ,4303966<br>,4303967 | 2    |                              |                             |
| 5    | 62511        | ROLL PIN            |                              | 4    | ROLL PINS NO LONGER REQUIRED | A-6340,S-2484,S-2485,S-2486 |
| 6    | 4303968      | KEY                 |                              | 2    |                              |                             |
| 9    | 4303961      | 2ND GEAR-CNTRSHFT   | 4303960                      | 2    |                              |                             |
| 10   | 15953        | PTO GEAR - LOWER    |                              | 1    |                              |                             |
| 10   | 20840        | PTO GEAR - UPPER    | 15952                        | 1    |                              |                             |
| 11   | 21586        | DRIVE GEAR-CNTRSHFT | 22271                        | 2    |                              |                             |
| 12   | 19198        | SNAP RING           |                              | 2    |                              |                             |
| 13   | 4304599      | BEARING             | 4302677 ,4304598             | 2    |                              | K-2765,K-2773               |
| 14   | 4304605      | RETAINER            | 19548                        | 2    |                              |                             |
| 15   | X-7-1005     | CAPSCREW            |                              | 2    | 5/8"-18X1-3/4"               |                             |
| 16   | 4303964      | SPACER              |                              | 2    |                              |                             |

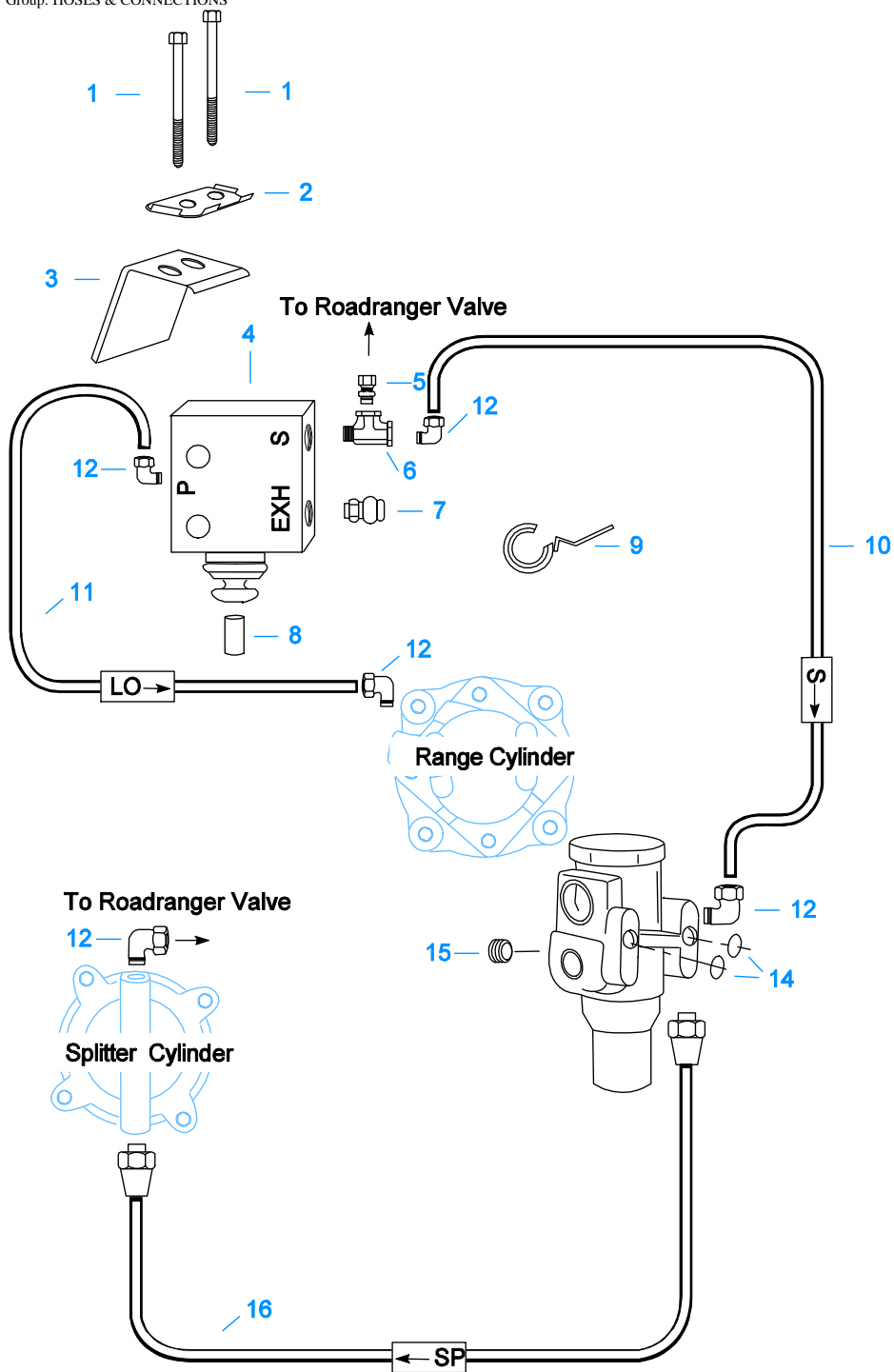
Group: FILTER REGULATOR



## FILTER REGULATOR

| Item | Current Part | Description          | Replaced Part | Qty. | Notes                | Kits/Assys Where Needed |
|------|--------------|----------------------|---------------|------|----------------------|-------------------------|
| 1    | K-2170       | FILTER REG KIT       | A - 5454      | 1    |                      |                         |
| 2    | K-1698       | -O- RING/ELEMENT KIT |               | 1    | FOR FILTER REGULATOR |                         |
| 3    | X-8C-412     | CAPSCREW             | X 8S 412      | 2    | 1/4"-20X2-1/4"       |                         |

Group: HOSES & CONNECTIONS



10116A-5/93 Super10 HC

## HOSES & CONNECTIONS

| Item | Current Part | Description        | Replaced Part | Qty. | Notes                         | Kits/Assys Where Needed |
|------|--------------|--------------------|---------------|------|-------------------------------|-------------------------|
| 1    | X-8-434      | CAPSCREW           |               | 2    | 1/4"-20X2"                    |                         |
| 2    | 22818        | LOCKWASHER         |               | 1    |                               |                         |
| 3    | 22817        | RETAINER PLATE     |               | 1    |                               |                         |
| 4    | K-3121       | AIR VALVE CONV KIT | 23545         | 1    |                               |                         |
| 5    | 84002        | CONNECTOR ASSY     | 82502         | 1    | 1/8" TUBE-1/8" NPTF           |                         |
| 5    | 84004        | CONNECTOR ASSY     | 82504         | 1    | 5/32" TUBE-1/8" NPTF          |                         |
| 5    | 84006        | CONNECTOR ASSY     |               | 1    | "PUSH-TO-CONNECT" 5/32" TUBE- | K-3121, K-3198, S-      |

| Item | Current Part | Description | Replaced Part | Qty. | Notes                                | Kits/Assys Where Needed                          |
|------|--------------|-------------|---------------|------|--------------------------------------|--|
| 6    | 22870        | TEE         |               | 1    | 1/8"NPTF                             | 2485,S-2486                                      |
| 7    | 7935         | BREATHER    |               | 1    |                                      | K-3198   |
| 8    | 4301989      | PIN         | 22813         | 1    |                                      |  |
| 9    | 19727        | HOSE CLAMP  |               | 2    |                                      | S-2485,S-2486                                    |
| 10   | 75120        | NYLON TUBE  |               | 1    | 5/32"                                |  |
| 11   | 75320        | NYLON TUBE  | 5546014       | 1    | 5/32"                                |  |
| 12   | 85001        | ELBOW ASSY  | 84501         | 5    | 5/32"TUBE-1/8"NPTF                   |  |
| 12   | 85002        | ELBOW ASSY  | 84502         | 5    | 1/8"TUBE-1/8"NPTF                    |  |
| 12   | 85003        | ELBOW ASSY  |               | 5    | "PUSH-TO-CONNECT" 5/32"TUBE-1/8"NPTF | K-2765,K-3121,K-3198,K-3333,K-3334,S-2485,S-2486 |
| 14   | 15114        | -O- RING    |               | 2    |                                      | K-2170,K-2295,K-3334                             |
| 15   | X-12-208     | PIPE PLUG   |               | 1    | 1/8" NPT                             |  |
| 16   | 55527        | HOSE ASSY   |               | 1    | 15"                                  |  |



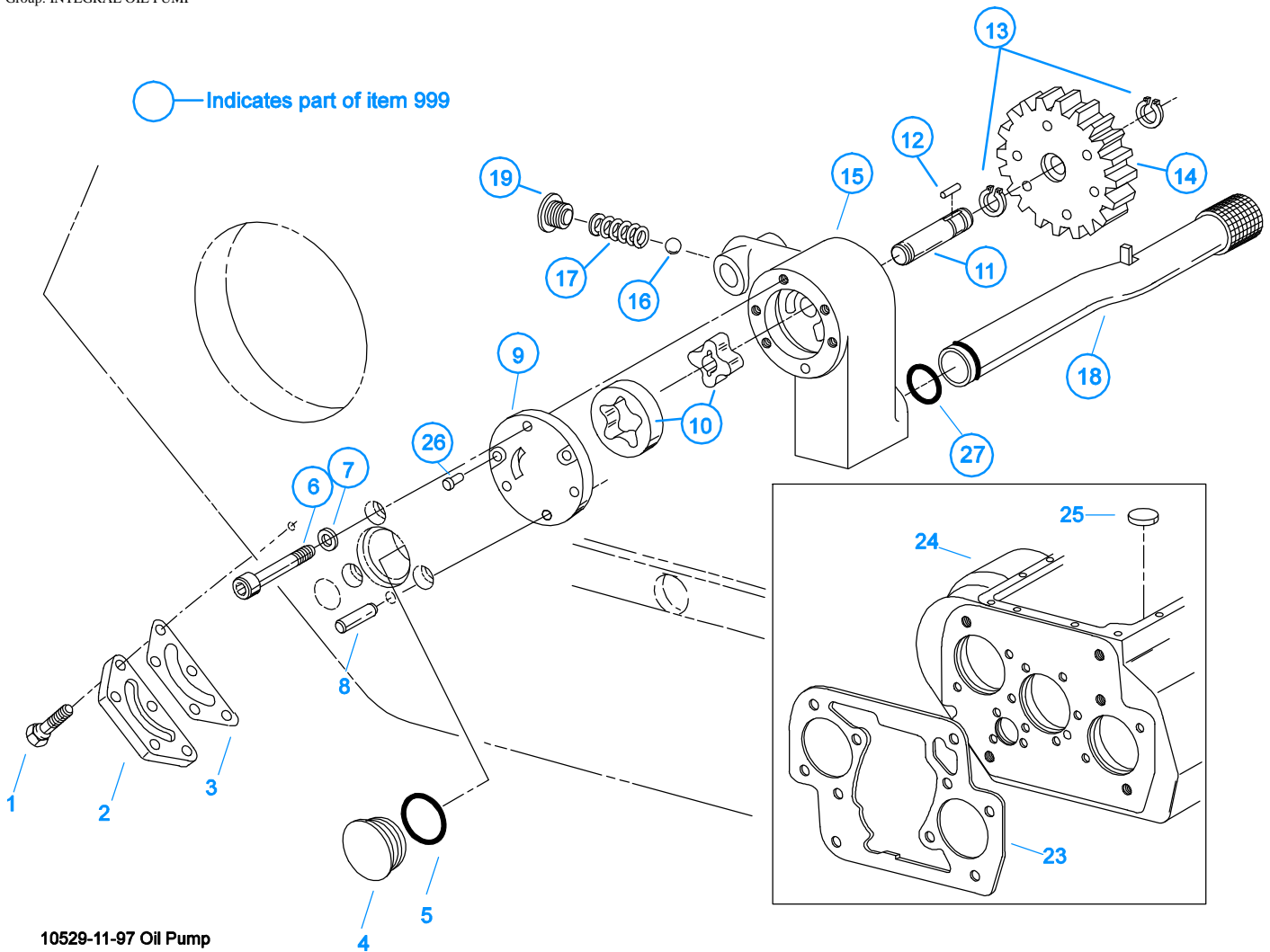
\* For Shipping Only -- Do Not Replace

\*

10370-1/92 IS

### INPUT SHAFT & DRIVE GEAR

| Item | Current Part | Description     | Replaced Part        | Qty. | Notes                     | Kits/Assys Where Needed |
|------|--------------|-----------------|----------------------|------|---------------------------|-------------------------|
| 1    | 23559        | SHIPPING SEAL   |                      | 1    | NOT SOLD FOR SERVICE      |                         |
| 2    | 16980        | SNAP RING       |                      | 1    |                           | K-2756,K-2765,K-2773    |
| 3    | 81504        | BEARING         |                      | 1    |                           | K-2765,K-2773           |
| 4    | 16463        | SPACER          |                      | 1    |                           |                         |
| 5    | 14750        | SNAP RING       |                      | 1    |                           | K-2756,K-2765,K-2773    |
| 6    | 20458        | MAIN DRIVE GEAR | 19630                | 1    |                           |                         |
| 8    | S-1659       | INPUT SHAFT     | 20535 23566 ,4302661 | 1    | 2" PULL - USE W/FBC 20550 | K-2765                  |
| 8    | S-1660       | INPUT SHAFT     | 20536 ,23567         | 1    | 2" PUSH - USE W/FBC 20549 |                         |
| 9    | 16566        | BUSHING         |                      | 1    |                           | K-2773,S-1659,S-1660    |



## INTEGRAL OIL PUMP

| Item | Current Part | Description       | Replaced Part  | Qty. | Notes          | Kits/Assys Where Needed |
|------|--------------|-------------------|--|------|----------------|-------------------------|
| 1    | X-8C-409     | CAPSCREW          |  | 5    | 1/4"-20X5/8"   |                         |
| 2    | K-2402       | COVER & SCREW KIT | 20513 ,4300751   | 1    |                |                         |
| 3    | 20514        | GASKET            |  | 1    |                | K-2402                  |
| 4    | 20823        | PLUG              |  | 1    |                |                         |
| 5    | 14765        | -O- RING          |  | 1    |                | K-2297,K-2298           |
| 6    | X-8-448      | SCREW             | X 8 445  | 3    | 1/4"-20X1-1/4" |                         |
| 7    | 20824        | WASHER            |  | 3    |                | K-3367                  |
| 8    | 20825        | DOWEL PIN         |  | 1    |                |                         |
| 9    | 4303773      | RETAINER          |  | 1    |                |                         |
| 10   | K-3367       | OIL PUMP KIT      | 4301829 ,4301948<br>,4303776 ,4304529<br>,4304572 A - 6963 ,A - 7173 | 1    |                |                         |
| 11   | K-3367       | OIL PUMP KIT      | 4301829 ,4301948<br>,4303776 ,4304529<br>,4304572 A - 6963 ,A - 7173 | 1    |                |                         |
| 12   | 20509        | KEY               |  | 1    |                |                         |
| 13   | 14853        | SNAP RING         |  | 2    |                |                         |
| 14   | 4303774      | PUMP DRIVE GEAR   | 4304880  | 1    |                |                         |
| 15   | K-3367       | OIL PUMP KIT      | 4301829 ,4301948<br>,4303776 ,4304529<br>,4304572 A - 6963 ,A - 7173 | 1    |                |                         |
| 16   | X-14-700     | STEEL BALL        |  | 1    | 7/16"          |                         |



| Item | Current Part | Description           | Replaced Part   | Qty. | Notes                           | Kits/Assys Where Needed |
|------|--------------|-----------------------|---|------|---------------------------------|-------------------------|
| 17   | 4303775      | SPRING                |   | 1    |                                 |                         |
| 18   | 4305713      | SUCTION TUBE          | 4304628   | 1    | O-RING INCLUDED ON SUCTION TUBE | K-3367                  |
| 19   | 4304629      | PLUG                  |   | 1    |                                 |                         |
| 23   | 4306584      | CLUTCH HOUSING GASKET | 4304815,4305668   | 1    |                                 | K-2295,K-4051           |
| 24   | S-2062       | CASE ASSY             | 4301790   | 1    | FOR USE W/INTEGRAL PUMP         |                         |
| 25   | 14373        | MAGNET                |   | 3    |                                 | S-2062                  |
| 26   | X-8-447      | SCREW                 |   | 2    |                                 |                         |
| 27   | 20225        | -O- RING              |   | 1    |                                 |                         |
| 999  | K-3367       | OIL PUMP KIT          | 4301829 ,4301948<br>,4303776 ,4304529<br>,4304572 A - 6963 ,A -<br>7173 | 1    |                                 |                         |



10210-1-92 Isolator

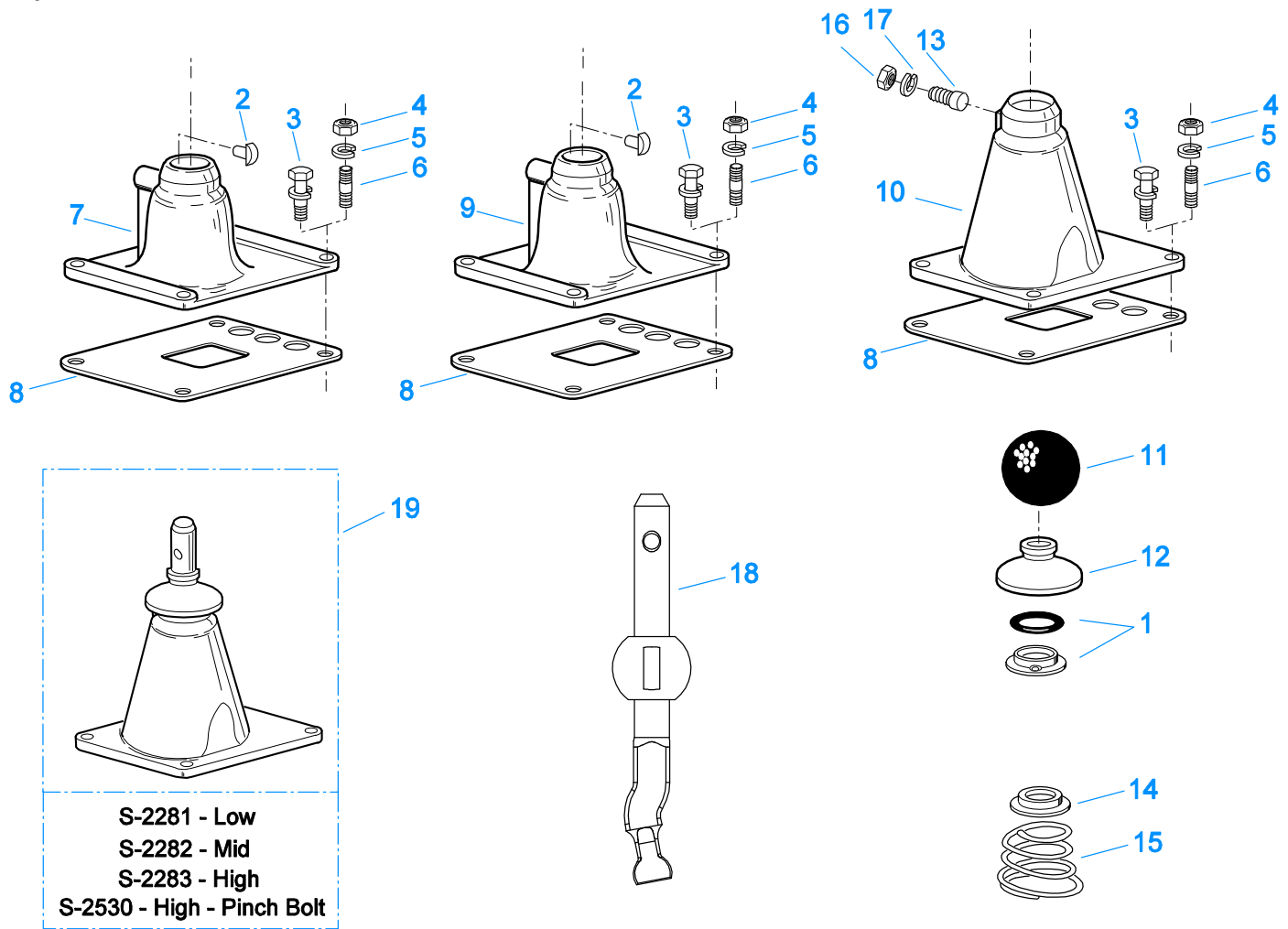
## ISOLATORS

| Item | Current Part | Description          | Replaced Part | Qty. | Notes           | Kits/Assys Where Needed |
|------|--------------|----------------------|---------------|------|-----------------|-------------------------|
| 1    | 19124        | -E- RING             |               | 2    |                 |                         |
| 2    | K-3467       | PIN REPLACEMENT KIT  | 21245         | 1    |                 |                         |
| 3    | 21246        | BUSHING              |               | 2    |                 | K-2003,K-3399           |
| 4    | S-1794       | ISOLATOR ASSY        |               | 1    |                 |                         |
| 6    | 21247        | LEVER                |               | 1    | STRAIGHT 18.67" |                         |
| 7    | 21235        | STUB LEVER           |               | 1    | LOW TOWER       |                         |
| 7    | 21236        | STUB LEVER           |               | 1    | HIGH TOWER      |                         |
| 9    | 21767        | 90 DEG LEVER         |               | 1    | STRAIGHT 33"    |                         |
| 10   | K-3399       | ISOLATOR BUSHING KIT | 21244 ,23311  | 1    |                 |                         |
| 11   | X-8-560      | SCREW                |               | 1    |                 |                         |
| 12   | X-9-503      | NUT                  |               | 1    |                 |                         |

## KITS & ASSEMBLIES

| Item   | Current Part | Description                   | Replaced Part  | Qty. | Notes                               | Kits/Assys Where Needed |
|--------|--------------|-------------------------------|--|------|-------------------------------------|-------------------------|
| K-1603 |              | GASKET KIT                    |  | 1    | FOR AUXILIARY SECTION               |                         |
| K-1698 |              | -O- RING/ELEMENT KIT          |  | 1    | FOR FILTER REGULATOR                |                         |
| K-1956 |              | COOLER INSTLN KIT             |  | 1    |                                     |                         |
| K-2003 |              | PIN & BUSHING KIT             |  | 1    |                                     |                         |
| K-2078 |              | -O- RING KIT - SPLITTER       |  | 1    | SPLITTER                            |                         |
| K-2170 |              | FILTER REG KIT                | A - 5454   | 1    |                                     |                         |
| K-2262 |              | OIL SEAL W/SLINGER            | 19109 20807 20808  | 1    | "FOR MECHANICAL COVER"              | K-2765,K-2773           |
| K-2295 |              | GASKET KIT                    |  | 1    |                                     | K-2765,K-2773           |
| K-2297 |              | -O- RING KIT - RANGE          |  | 1    | RANGE                               |                         |
| K-2298 |              | -O- RING KIT - COMPLETE       |  | 1    | COMPLETE                            | K-2765,K-2773           |
| K-2347 |              | MASTER VALVE REPAIR KIT       |  | 1    | FOR A-5510 VALVE                    |                         |
| K-2366 |              | KEY & WASHER KIT              | 21326 ,4300763 ,4304614  | 1    | CONTAINS 3-SIDED KEY                |                         |
| K-2402 |              | COVER & SCREW KIT             | 20513 ,4300751   | 1    |                                     |                         |
| K-2430 |              | SHIM KIT                      | 21452  | 1    |                                     | K-2765,K-2773,S-2781    |
| K-2640 |              | REPL KIT-DRIVE GEAR           | 4301397 ,4301520   | 1    |                                     |                         |
| K-2756 |              | SMALL PARTS KIT               |  | 1    |                                     |                         |
| K-2765 |              | BASIC OVERHAUL KIT            |  | 1    |                                     |                         |
| K-2773 |              | BASIC REBUILD KIT             |  | 1    |                                     |                         |
| K-2932 |              | COUNTERSHAFT REPL KIT         | 4301395 ,4303966 ,4303967                                      | 1    |                                     |                         |
| K-2972 |              | SHIFT LEVER HSG KIT           | 4304911  | 1    | HIGH TOWER                          |                         |
| K-3190 |              | MASTER VALVE REPAIR KIT       |  | 1    | FOR A-6910 VALVE                    |                         |
| K-3198 |              | T-2 VALVE KIT                 | 691300 ,691359   | 1    |                                     |                         |
| K-3209 |              | IDLER SHAFT REPL KIT          | 16405 ,4302981 ,4305513  | 1    |                                     |                         |
| K-3333 |              | SPLITTER VLV REPL KIT         | A - 6861   | 1    |                                     |                         |
| K-3334 |              | RANGE VALVE REPL KIT          | A - 6864   | 1    |                                     |                         |
| K-3367 |              | OIL PUMP KIT                  | 4301829 ,4301948 ,4303776 ,4304529 ,4304572 A - 6963 ,A - 7173 | 1    |                                     |                         |
| K-3376 |              | O-RING & WASHER KIT           | 4301211  | 1    |                                     |                         |
| K-3399 |              | ISOLATOR BUSHING KIT          | 21244 ,23311   | 1    |                                     |                         |
| K-3467 |              | PIN REPLACEMENT KIT           | 21245  | 1    |                                     |                         |
| K-3492 |              | SYNCHRONIZER KIT              | K - 2446   | 1    |                                     |                         |
| K-3494 |              | SYNCHRONIZER REPLACEMENT KIT  | K - 2448   | 1    | SLIDING CLUTCH INCLUDED IN KIT      |                         |
| K-3635 |              | SHIFT LEVER HSG KIT           | 4304908  | 1    | MID TOWER                           |                         |
| K-3636 |              | SHIFT LEVER HSG KIT           | 4304904  | 1    | LOW TOWER                           |                         |
| K-3651 |              | OIL SEAL TOOL KIT             |  | 1    |                                     |                         |
| K-4051 |              | RT CLUTCH HOUSING SERVICE KIT |  | 1    |                                     |                         |
| S-1404 |              | OIL FILTER                    | 17238  | 1    |                                     |                         |
| S-1659 |              | INPUT SHAFT                   | 20535 23566 ,4302661   | 1    | 2" PULL - USE W/FBC 20550           | K-2765                  |
| S-1660 |              | INPUT SHAFT                   | 20536 ,23567   | 1    | 2" PUSH - USE W/FBC 20549           |                         |
| S-1786 |              | SHIFT YOKE ASSY               | 22801  | 1    |                                     |                         |
| S-1794 |              | ISOLATOR ASSY                 |  | 1    |                                     |                         |
| S-1984 |              | COVER ASSY-RANGE CYL          |  | 1    |                                     |                         |
| S-2062 |              | CASE ASSY                     | 4301790  | 1    | FOR USE W/INTEGRAL PUMP             |                         |
| S-2119 |              | REAR BRG COVER ASSY           | 20048 ,22045 ,4302009 ,4302031 ,S - 1558 S - 1560              | 1    | EXTENDED                            |                         |
| S-2281 |              | SHIFT TOWER ASSY              |  | 1    | LOW TOWER                           |                         |
| S-2282 |              | SHIFT TOWER ASSY              |  | 1    | MID TOWER                           |                         |
| S-2283 |              | SHIFT TOWER ASSY              |  | 1    | HIGH TOWER                          |                         |
| S-2484 |              | SHIFT BAR HSG ASSY (F)        | 4303112  | 1    | HOUSING ONLY                        |                         |
| S-2485 |              | SHIFT BAR HSG ASSY (F)        | S - 2442   | 1    | COMPLETE - FOR USE W/REMOTE CONTROL |                         |
| S-2486 |              | SHIFT BAR HSG ASSY (F)        | 4303112 ,S - 2416  | 1    | COMPLETE - FOR USE W/SHIFT LEVER    |                         |
| S-2530 |              | SHIFT TOWER ASSY              |  | 1    | HIGH TOWER - PINCH BOLT             |                         |
| S-2568 |              | ROADRANGER VALVE ASSY         |  | 1    | RTLO - W/SHIFT DIAGRAM MEDALLION    |                         |
| S-2737 |              | MAINSHAFT ASSY                | 4304597  | 1    |                                     |                         |

| Item | Current Part | Description              | Replaced Part | Qty. | Notes | Kits/Assys Where Needed |
|------|--------------|--------------------------|---------------|------|-------|-------------------------|
|      | S-2781       | RANGE SECTION ASSY       |               | 1    |       |                         |
|      | S-2781R      | REMAN RANGE SECTION ASSY |               | 1    |       |                         |

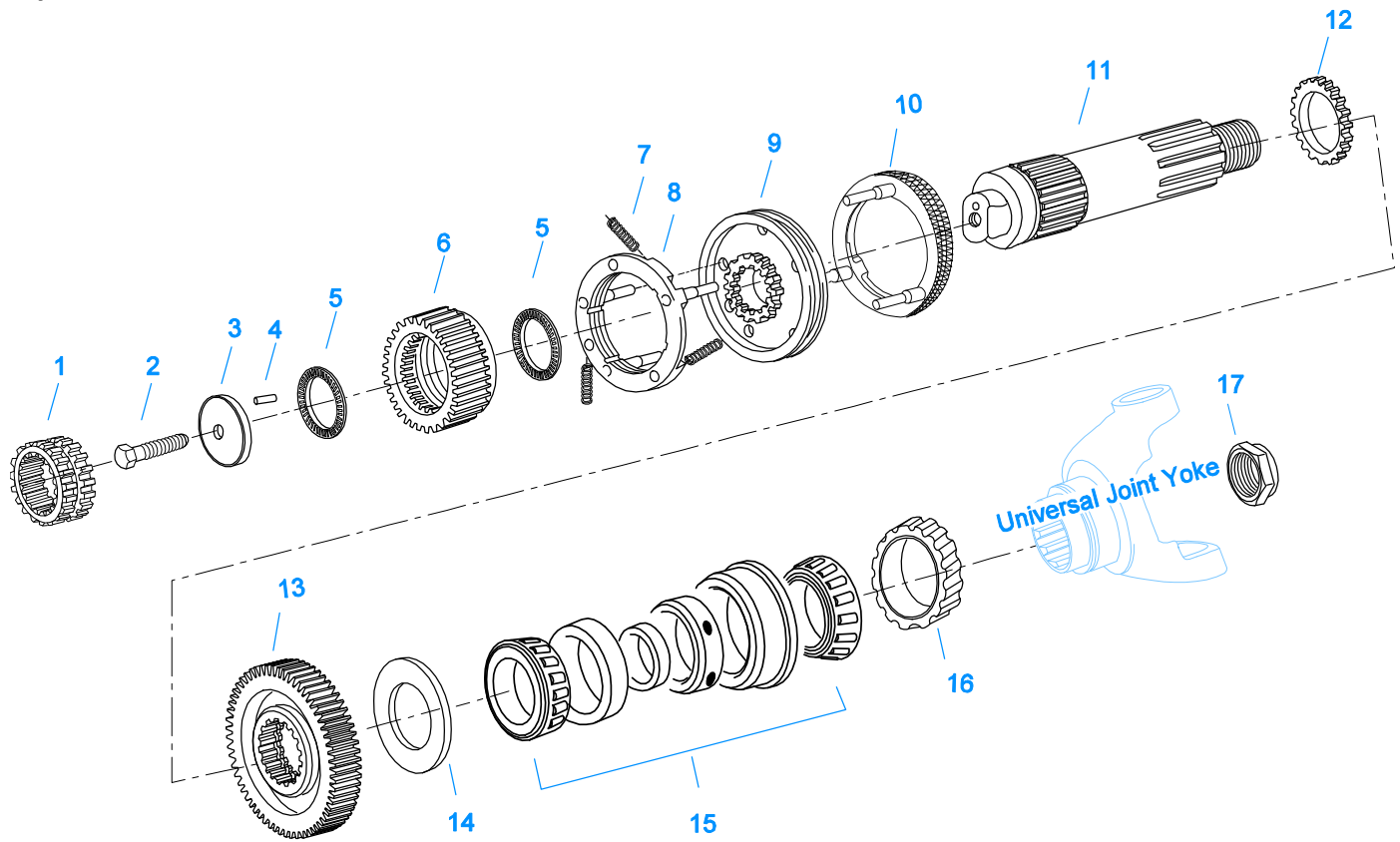


10212-10-07

## LEVERS/HOUSINGS

| Item | Current Part | Description         | Replaced Part | Qty. | Notes             | Kits/Assys Where Needed                                 |
|------|--------------|---------------------|---------------|------|-------------------|---|
| 1    | K-3376       | O-RING & WASHER KIT | 4301211       | 1    |                   |   |
| 2    | 18299        | PIN                 |               | 1    |                   | K-3635,K-3636,S-2281,S-2282,S-2283,S-2530               |
| 3    | X-8C-604     | CAPSCREW            |               | 4    | 3/8"-16X1-1/4"    |   |
| 4    | X-1-600      | NUT                 |               | 4    | 3/8"-24-N.F.PLAIN |   |
| 5    | X-3-600      | LOCKWASHER          |               | 4    | 3/8"              |   |
| 6    | 11934        | STUD                | 7467          | 4    |                   |   |
| 7    | K-3636       | SHIFT LEVER HSG KIT | 4304904       | 1    | LOW TOWER         |   |
| 8    | 4303432      | GASKET              | 22799         | 1    |                   | K-2295,K-2972,K-3635,K-3636,S-2281,S-2282,S-2283,S-2530 |
| 9    | K-3635       | SHIFT LEVER HSG KIT | 4304908       | 1    | MID TOWER         |   |
| 10   | K-2972       | SHIFT LEVER HSG KIT | 4304911       | 1    | HIGH TOWER        |   |
| 11   | 17560        | LEVER GRIP          |               | 1    | 1/2"-13           |   |
| 12   | 10427        | BOOT                |               | 1    |                   | K-2972,K-3635,K-3636,S-2281,S-2282,S-2283,S-2530        |
| 13   | 6541         | PIN                 |               | 1    | 3/8"              |   |
| 14   | 2538         | RETAINER            |               | 1    |                   | K-2972,K-3635,K-3636,S-2281,S-2282,S-2283,S-2530        |
| 15   | 2536         | SPRING              |               | 1    |                   | K-2972,K-3635,K-  |

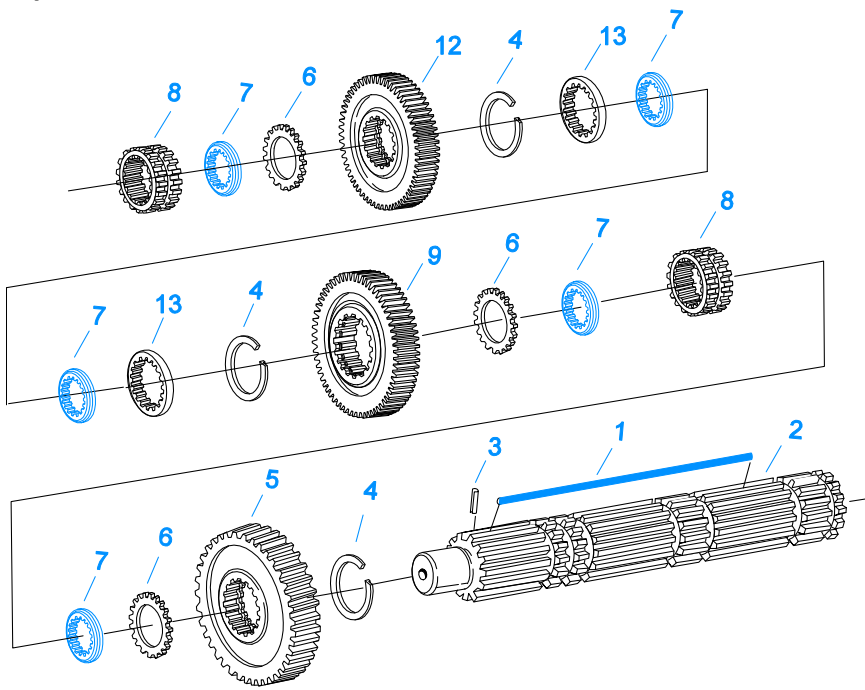
| Item | Current Part | Description      | Replaced Part | Qty. | Notes                   | Kits/Assys Where Needed          |
|------|--------------|------------------|---------------|------|-------------------------|----------------------------------|
|      |              |                  |               |      |                         | 3636,S-2281,S-2282,S-2283,S-2530 |
| 16   | X-1-500      | NUT              |               | 1    | 5/16"-24                |                                  |
| 17   | X-3-500      | LOCKWASHER       |               | 1    | 5/16"                   |                                  |
| 18   | 4302532      | STUB SHIFT LEVER |               | 1    | LOW                     | S-2281                           |
| 18   | 4302700      | STUB SHIFT LEVER |               | 1    | MID                     | S-2282                           |
| 18   | 4303556      | STUB SHIFT LEVER |               | 1    | HIGH                    | S-2283                           |
| 18   | 4303600      | STUB SHIFT LEVER |               | 1    | HIGH - PINCH BOLT       | S-2530                           |
| 19   | S-2281       | SHIFT TOWER ASSY |               | 1    | LOW TOWER               |                                  |
| 19   | S-2282       | SHIFT TOWER ASSY |               | 1    | MID TOWER               |                                  |
| 19   | S-2283       | SHIFT TOWER ASSY |               | 1    | HIGH TOWER              |                                  |
| 19   | S-2530       | SHIFT TOWER ASSY |               | 1    | HIGH TOWER - PINCH BOLT |                                  |



10423-10/92 Aux MS RTLO 10

**MAINSHAFT & SYNCHRO(AUX)**

| Item | Current Part | Description             | Replaced Part            | Qty. | Notes          | Kits/Assys Where Needed            |
|------|--------------|-------------------------|--------------------------|------|----------------|------------------------------------|
| 1    | 21930        | SLIDING CLUTCH          |                          | 1    |                |                                    |
| 2    | X-7-1005     | CAPSCREW                |                          | 1    | 5/8"-18X1-3/4" |                                    |
| 3    | A-6340       | RETAINER ASSY           | 4302057                  | 1    |                | K-2765,K-2773                      |
| 4    | 62511        | ROLL PIN                |                          | 1    |                | A-6340,S-2484,S-2485,S-2486        |
| 5    | 4302058      | BEARING                 |                          | 2    |                | K-2765,K-2773                      |
| 6    | 4302695      | SPLITTER GEAR-MAINSHAFT | 4301940 ,4302066         | 1    |                |                                    |
| 7    | 14897        | SPRING                  |                          | 3    |                | K-2756,K-2765,K-2773,K-3492,K-3494 |
| 8    | A-7331       | SYNCHRONIZER ASSY       | 4304396 4304397 A - 5917 | 1    | HI RANGE       | K-3494                             |
| 9    | 20323        | SLIDING CLUTCH          |                          | 1    |                | K-3494                             |
| 10   | A-7254       | SYNCHRONIZER ASSEMBLY   | A - 4937 A - 5876        | 1    | LO RANGE       | K-3492,K-3494                      |
| 11   | 4302059      | AUXILIARY MAINSHAFT     |                          | 1    |                |                                    |
| 12   | 19203        | SPACER                  |                          | 1    |                | K-2756                             |
| 13   | 4301400      | REDUCTION GEAR          |                          | 1    |                |                                    |
| 14   | 16772        | WASHER                  |                          | 1    |                | K-2756                             |
| 15   | 15260        | BEARING                 |                          | 1    |                | K-2765,K-2773                      |
| 16   | 20191        | ROTOR                   | 16295                    | 1    |                |                                    |
| 17   | 22254        | NUT                     | 11956                    | 1    |                | S-2781                             |



10322A-3-97 MS - LO Inertia

**MAINSHAFT ASSY**

| Item | Current Part | Description                | Replaced Part              | Qty. | Notes   | Kits/Assys Where Needed |
|------|--------------|----------------------------|----------------------------|------|---|-------------------------|
| 1    | 4304614      | 3-SIDED KEY                | 4300890                    | 1    |   | K-2366,K-2756           |
| 1    | K-2366       | KEY & WASHER KIT           | 21326 ,4300763<br>,4304614 | 1    | CONTAINS 3-SIDED KEY  |                         |
| 2    | S-2737       | MAINSHAFT ASSY             | 4304597                    | 1    |   | S-2737                  |
| 3    | 62504        | ROLL PIN                   |                            | 1    |   | S-2737                  |
| 4    | 14750        | SNAP RING                  |                            | 3    |   | K-2756,K-2765,K-2773    |
| 5    | 16756        | REVERSE GEAR-<br>MAINSHAFT | 22408                      | 1    |   |                         |
| 6    | 14749        | SPACER                     |                            | 3    |   | K-2756                  |
| 7    | 4300382      | WASHER .249-WHITE          |                            | 5    |   | K-2366,K-2756           |
| 7    | 4300383      | WASHER .254-GREEN          |                            | 5    | OPTIONAL 4300382-4300387 OR<br>4300830 USE ANY 5 WASHERS. USE<br>WITH 3-SIDED KEY | K-2366,K-2756           |
| 7    | 4300384      | WASHER .259-ORANGE         |                            | 5    | OPTIONAL 4300382-4300387 OR<br>4300830 USE ANY 5 WASHERS. USE<br>WITH 3-SIDED KEY | K-2366,K-2756           |
| 7    | 4300385      | WASHER .264-PURPLE         |                            | 5    | OPTIONAL 4300382-4300387 OR<br>4300830 USE ANY 5 WASHERS. USE<br>WITH 3-SIDED KEY |                         |
| 7    | 4300386      | WASHER .269-YELLOW         |                            | 5    | OPTIONAL 4300382-4300387 OR<br>4300830 USE ANY 5 WASHERS. USE<br>WITH 3-SIDED KEY |                         |
| 7    | 4300387      | WASHER .274-BLACK          |                            | 5    | OPTIONAL 4300382-4300387 OR<br>4300830 USE ANY 5 WASHERS. USE<br>WITH 3-SIDED KEY |                         |
| 7    | 4300830      | WASHER .244-BLUE           |                            | 5    | OPTIONAL 4300382-4300387 OR<br>4300830 USE ANY 5 WASHERS. USE<br>WITH 3-SIDED KEY | K-2366,K-2756           |
| 8    | 16118        | SLIDING CLUTCH             |                            | 2    |   | K-2765                  |
| 9    | 4301396      | LO GEAR-MAINSHAFT          | 4301519                    | 1    |   |                         |
| 12   | 4303969      | 2ND GEAR-MAINSHAFT         | 4301394 ,4301517           | 1    |   |                         |
| 13   | 16288        | SPACER                     |                            | 2    |   | K-2756                  |



## MISCELLANEOUS

| Item    | Current Part | Description         | Replaced Part | Qty. | Notes                            | Kits/Assys Where Needed            |
|---------|--------------|---------------------|---------------|------|----------------------------------|------------------------------------|
| 4303343 |              | SHIFT DIAGRAM LABEL |               | 1    |                                  |                                    |
| 71203   |              | SILICONE LUBE       |               | 1    | 8 OZ (236.59 CC)-FLEET SIZE      |                                    |
| 71204   |              | ADHESIVE SEALANT    |               | 1    | 0.5 CC (SINGLE APPLICATION SIZE) | K-3198                             |
| 71205   |              | SEALANT             |               | 1    | 2 CC (SINGLE APPLICATION SIZE)   | K-2765,K-2773                      |
| 71206   |              | SILICONE LUBE       |               | 1    | 4 CC (SINGLE APPLICATION SIZE)   | K-2078,K-2297,K-2298,K-3333,K-3334 |

Group: OIL COOLER



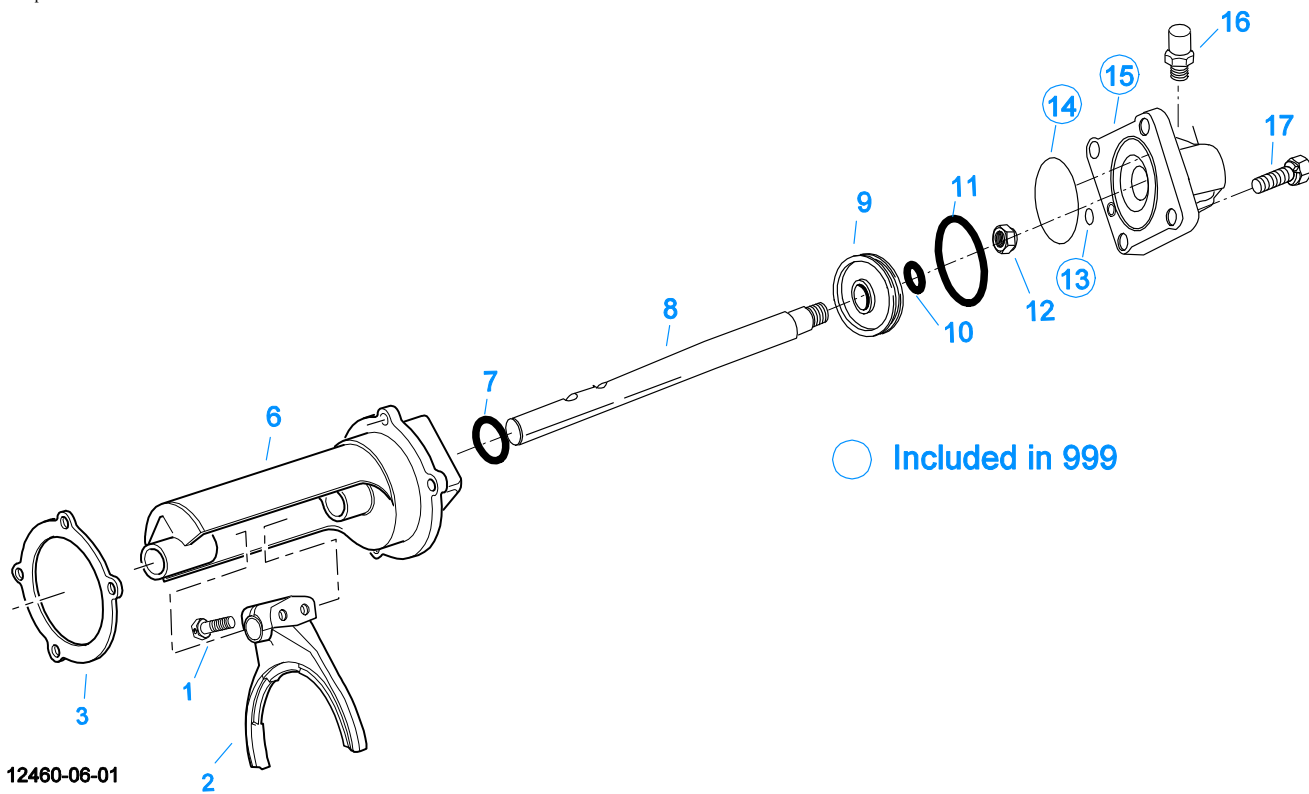
10525-4/92 Cooler

\*Adding Oil Filter and parts as shown is optional.

Return / Outlet Location

## OIL COOLER

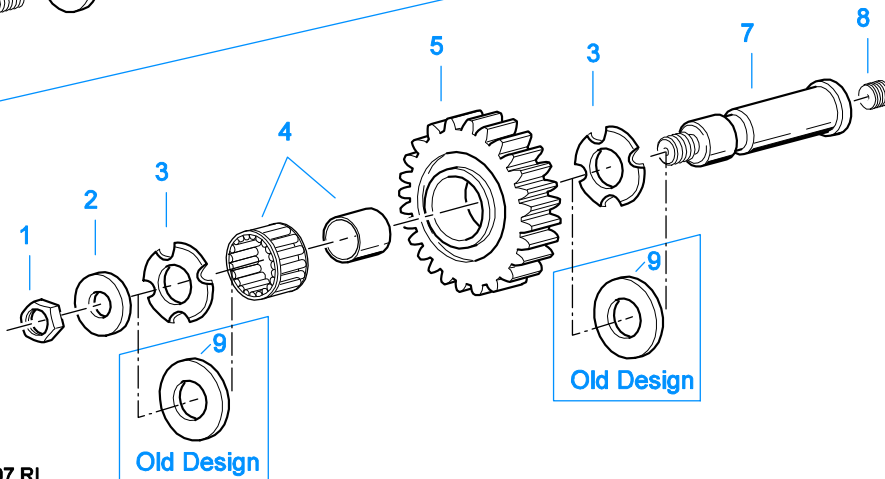
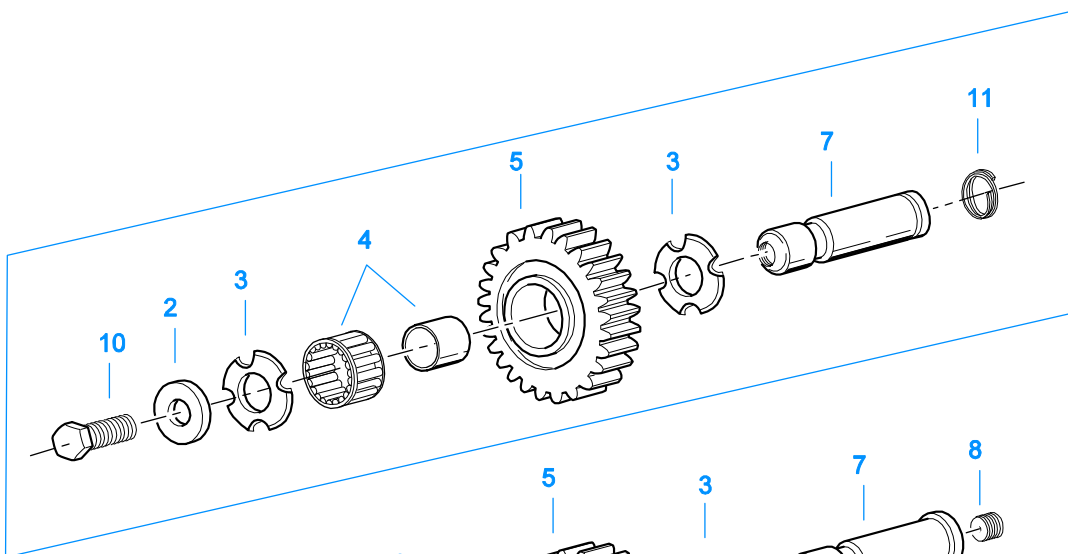
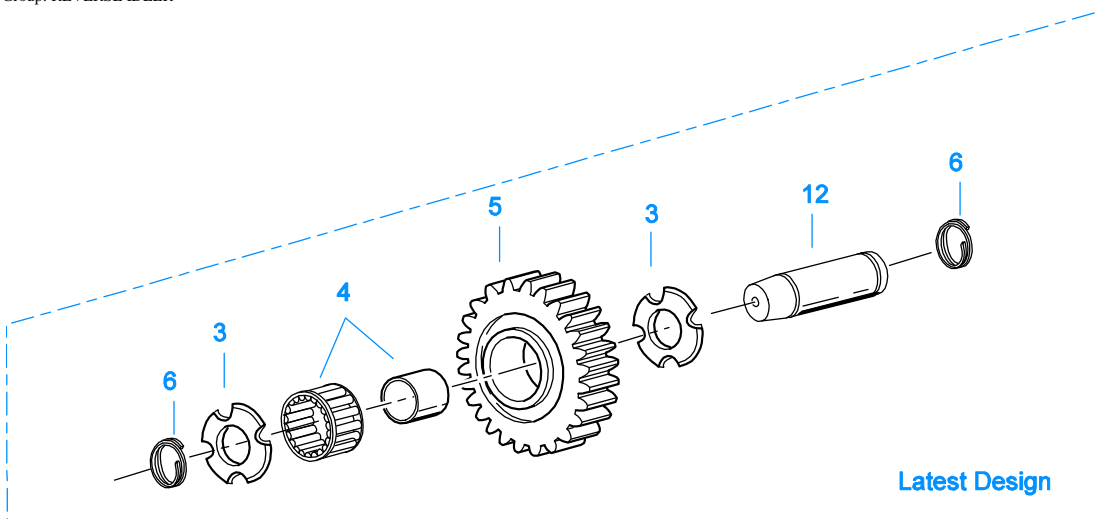
| Item | Current Part | Description       | Replaced Part | Qty. | Notes           | Kits/Assys Where Needed |
|------|--------------|-------------------|---------------|------|-----------------|-------------------------|
| 1    | 18025        | OIL COOLER        |               | 1    |                 | K-1956                  |
| 2    | 19424        | HOSE              |               | 1    | 25 FEET         | K-1956                  |
| 3    | X-8-535      | CAPSCREW          |               | 2    | 5/16"-16X2-1/2" |                         |
| 4    | X-3-506      | LOCKWASHER        |               | 2    | 5/16"           |                         |
| 5    | 18211        | BRACKET           |               | 4    |                 | K-1956                  |
| 6    | 19419        | CONNECTOR         |               | 6    |                 | K-1956,S-1404           |
| 7    | 19415        | SWIVEL            |               | 4    |                 | K-1956                  |
| 8    | X-10-501     | WASHER            |               | 2    | 5/16"           |                         |
| 9    | 18209        | PLUG-RUBBER MOUNT |               | 2    |                 | K-1956                  |
| 10   | 17190        | STRAP             |               | 8    |                 | K-1956                  |
| 11   | 19423        | CLAMP             |               | 5    |                 | K-1956                  |
| 12   | 18210        | NUT               |               | 2    |                 | K-1956                  |
| 13   | 19422        | ELBOW             |               | 4    |                 | K-1956                  |
| 14   | S-1404       | OIL FILTER        | 17238         | 1    |                 |                         |
| 15   | 17237        | FILTER ELEMENT    |               | 1    |                 | S-1404                  |



12460-06-01

## RANGE CYLINDER

| Item | Current Part | Description          | Replaced Part    | Qty. | Notes                          | Kits/Assys Where Needed     |
|------|--------------|----------------------|------------------|------|--------------------------------|-----------------------------|
| 1    | X-7-809      | BOLT                 | X 7 810 ,X 7 811 | 2    | 1/2"-20X1-3/4"                 |                             |
| 2    | 22823        | SHIFT YOKE           | 16775            | 1    |                                |                             |
| 3    | 14347        | GASKET               |                  | 1    |                                | K-1603,K-2295,K-2297,K-2298 |
| 6    | 4303682      | RANGE CYLINDER       | 4301789          | 1    |                                |                             |
| 7    | 14765        | -O- RING             |                  | 1    |                                | K-2297,K-2298               |
| 8    | 4301558      | YOKE BAR             |                  | 1    |                                |                             |
| 9    | 14341        | PISTON               | 23353            | 1    |                                |                             |
| 10   | 14345        | -O- RING             |                  | 1    |                                | K-2297,K-2298               |
| 11   | 14344        | -O- RING             |                  | 1    |                                | K-2297,K-2298               |
| 12   | X-1-1010     | NUT                  |                  | 1    | 5/8"-18                        |                             |
| 13   | 14197        | -O- RING             |                  | 1    |                                | K-2297,K-2298,K-3334        |
| 14   | 5568539      | O-RING               |                  | 1    |                                | K-2297,K-2298,K-3334        |
| 15   | K-3334       | RANGE VALVE REPL KIT | A - 6864         | 1    |                                |                             |
| 16   | X2014210     | BREATHER             | 7935             | 1    |                                |                             |
| 17   | X-8L-607     | CAPSCREW             | X 8 607          | 4    | 3/8"-16X2-1/4", 3/8"-16X2-1/4" |                             |
| 999  | K-3334       | RANGE VALVE REPL KIT | A - 6864         | 1    |                                |                             |

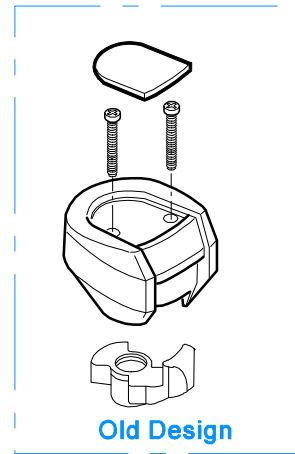
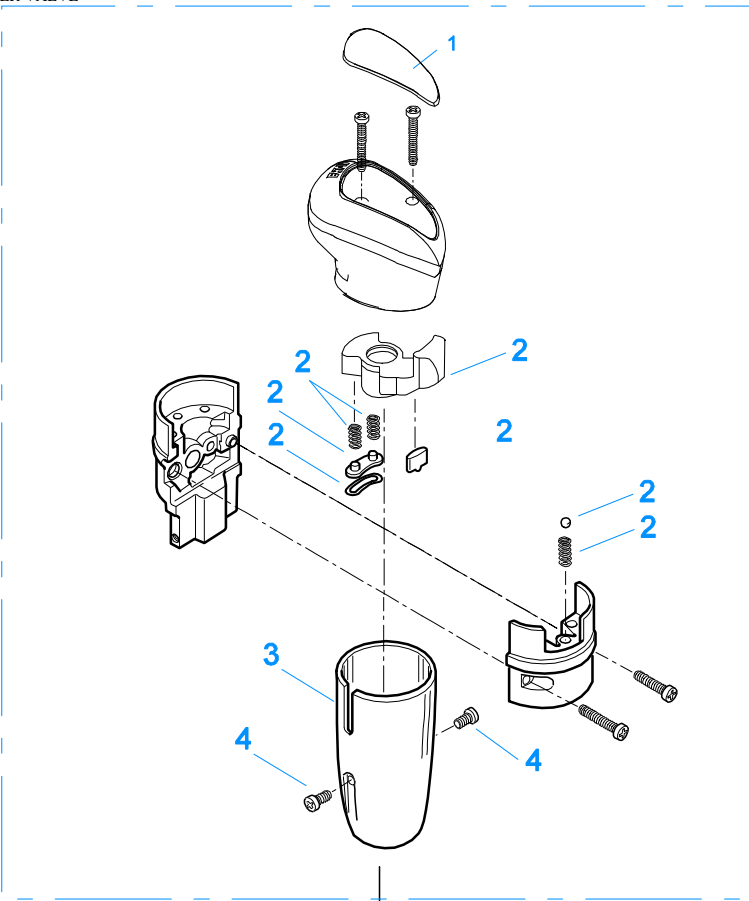


11383-5-97 RI

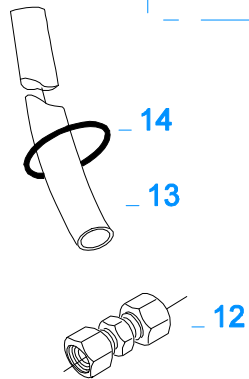
## REVERSE IDLER

| Item | Current Part | Description          | Replaced Part              | Qty. | Notes   | Kits/Assys Where Needed |
|------|--------------|----------------------|----------------------------|------|---------|-------------------------|
| 1    | X-1-1008     | NUT                  |                            | 2    | 5/8"-18 |                         |
| 2    | 14283        | WASHER               |                            | 2    |         |                         |
| 3    | 4302982      | WASHER               | 14282                      | 4    |         | K-3209,S-2062           |
| 4    | 14287        | BEARING              | 4305020                    | 2    |         | K-2765,K-2773           |
| 5    | 16757        | REVERSE IDLER GEAR   | 22409                      | 2    |         |                         |
| 6    | 4303336      | RETAINING RING       |                            | 4    |         | K-3209                  |
| 7    | K-3209       | IDLER SHAFT REPL KIT | 16405 ,4302981<br>,4305513 | 2    |         |                         |
| 8    | 5202         | PLUG                 |                            | 2    |         |                         |

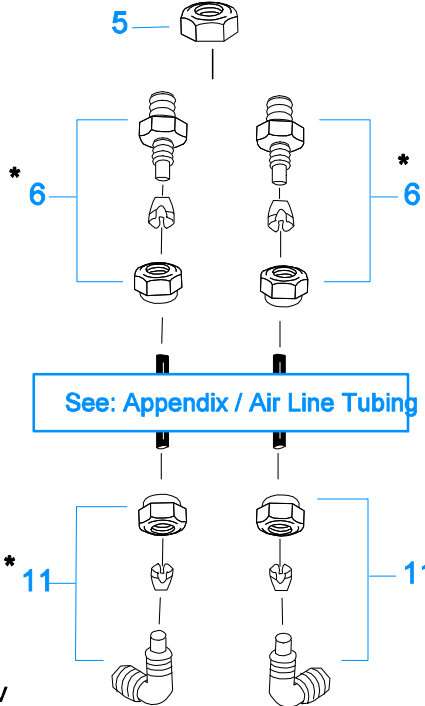
| Item | Current Part | Description         | Replaced Part | Qty. | Notes         | Kits/Assys Where Needed |
|------|--------------|---------------------|---------------|------|---------------|-------------------------|
| 9    | 14282        | NO LONGER AVAILABLE |               | 4    |               |                         |
| 10   | X-7-1008     | CAPSCREW            |               | 2    | 5/8"-18X1-1/4 |                         |
| 11   | 4303336      | RETAINING RING      |               | 2    |               | K-3209                  |
| 12   | 4305513      | IDLER SHAFT         |               | 2    |               | K-3209                  |



999



2 K-2347 Rep Kit Master Valve



10104-11/92 RRV

\* For Connector and Elbow Assy component information see Appendix.

## ROADRANGER VALVE

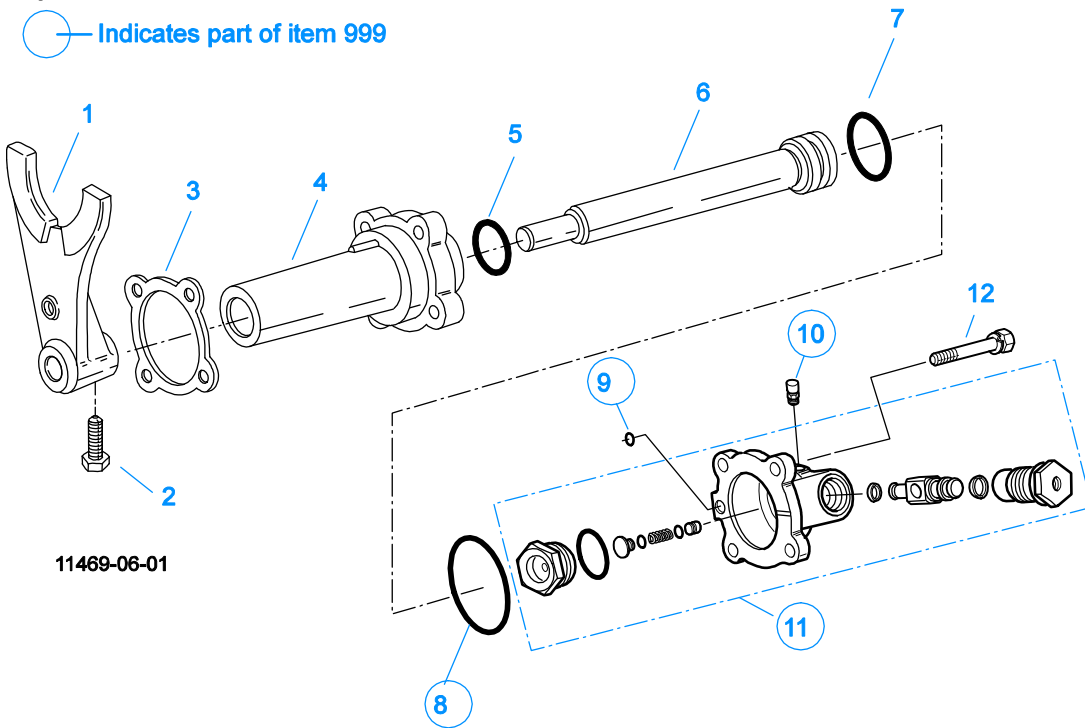
| Item | Current Part | Description             | Replaced Part | Qty. | Notes                                   | Kits/Assys Where Needed                                |
|------|--------------|-------------------------|---------------|------|---|--|
| 1    | 20107        | MEDALLION, LOGO         |               | 1    | (OLD DESIGN) FULLER LOGO ONLY           |  |
| 1    | 5586100      | MEDALLION, LOGO         |               | 1    | (LATEST DESIGN) FULLER LOGO ONLY        | A-6910   |
| 1    | 5586109      | SHIFT DIAGRAM MEDALLION |               | 1    | RTLO                                    | S-2568   |
| 2    | K-2347       | MASTER VALVE REPAIR KIT |               | 1    | FOR A-5510 VALVE                        |  |
| 2    | K-3190       | MASTER VALVE REPAIR KIT |               | 1    | FOR A-6910 VALVE                        |  |
| 3    | 20112        | COVER                   |               | 1    |   | A-6910   |
| 4    | X-8-213      | SCREW                   | X 8 202       | 2    | 8-32X3/8"                               |  |
| 5    | X-9-802      | NUT                     |               | 1    | 1/2"-13                                 |  |
| 6    | 84001        | CONNECTOR ASSY          | 82501         | 2    | 1/8" TUBE-1/16" NPTF                    |  |
| 6    | 84003        | CONNECTOR ASSY          | 82503         | 2    | 5/32" TUBE-1/16" NPTF                   |  |
| 6    | 84005        | CONNECTOR ASSY          |               | 2    | "PUSH-TO-CONNECT" 5/32" TUBE-1/16" NPTF | K-2765   |
| 11   | 85001        | ELBOW ASSY              | 84501         | 2    | 5/32" TUBE-1/8" NPTF                    |  |
| 11   | 85002        | ELBOW ASSY              | 84502         | 2    | 1/8" TUBE-1/8" NPTF                     |  |
| 11   | 85003        | ELBOW ASSY              |               | 2    | "PUSH-TO-CONNECT" 5/32" TUBE-1/8" NPTF  | K-2765, K-3121, K-3198, K-3333, K-3334, S-2485, S-2486 |
| 12   | 84101        | UNION ASSY              |               | 1    | 1/8" TUBING                             |  |
| 12   | 84102        | UNION ASSY              |               | 1    | 5/32" TUBING                            |  |
| 12   | 84103        | UNION ASSY              |               | 1    | "PUSH-TO-CONNECT" 5/32" TUBING          |  |
| 13   | 80120        | SHEATHING (50 FT ROLL)  |               | 1    | 5/32" - BLACK 50'                       |  |
| 14   | 13571        | -O- RING CLAMP          |               | 2    |   |  |
| 999  | A-6910       | ROADRANGER VALVE ASSY   | A - 5510      | 1    | STANDARD-W/LOGO                         |  |
| 999  | S-2568       | ROADRANGER VALVE ASSY   |               | 1    | RTLO - W/SHIFT DIAGRAM MEDALLION        |  |





| Item | Current Part | Description              | Replaced Part     | Qty. | Notes  | Kits/Assys Where Needed     |
|------|--------------|--------------------------|-------------------|------|--|-----------------------------|
| 5    | 22812        | PIN                      |                   | 1    |  | 2485,S-2486                 |
| 6    | X-12-603     | PIPE PLUG                | X12 602           | 1    | 3/8" NPT   | S-2485,S-2486               |
| 7    | 4301999      | PIN                      | 22871             | 1    |  |                             |
| 8    | 15900        | GASKET                   |                   | 2    |  | S-2484,S-2485,S-2486        |
| 9    | 22940        | REV/NEUTRAL LIGHT SWITCH | 16830             | 2    | SWITCH NORMALLY OPEN   |                             |
| 10   | 4303656      | PLUG                     | 15917             | 2    |  | S-2484,S-2485,S-2486        |
| 11   | 20815        | LIFTING EYE              | 17105             | 2    |  |                             |
| 12   | X-8L-602     | CAPSCREW                 |                   | 2    | 3/8"-16X1-1/2"   |                             |
| 12   | X-8L-604     | CAPSCREW                 |                   | 16   | 3/8"-16X1-1/4" OR USE 14 PCS OF X-8L-604 AND 2 PCS OF X-8L-602 |                             |
| 13   | 15899        | PIN                      |                   | 1    |  | S-2485,S-2486               |
| 14   | 15918        | SPRING                   |                   | 2    |  | K-2756,K-2765,S-2485,S-2486 |
| 15   | X-14-800     | STEEL BALL               |                   | 2    | 1/2"   |                             |
| 19   | 22815        | SNAP RING                |                   | 1    |  | S-1786,S-2485,S-2486        |
| 20   | 22814        | WASHER                   |                   | 1    |  | S-1786,S-2485,S-2486        |
| 21   | 22809        | SPRING                   |                   | 1    | W/SHIFT LEVER  | K-2756,S-1786,S-2486        |
| 21   | 4302195      | SPRING                   |                   | 1    | W/REMOTE CONTROL   | K-2756,S-2485               |
| 22   | 22811        | PLUNGER                  |                   | 1    |  | S-1786,S-2485,S-2486        |
| 23   | 4301549      | SHIFT YOKE               |                   | 1    |  | S-2485,S-2486               |
| 24   | 3220         | LOCKSCREW                |                   | 3    |  | S-2485,S-2486               |
| 25   | 4303114      | YOKE BAR                 |                   | 1    |  | S-2485,S-2486               |
| 26   | 4303115      | GEAR SHIFT LEVER         |                   | 1    |  |                             |
| 27   | 4302702      | SHIFT BLOCK              |                   | 1    |  | S-2485,S-2486               |
| 28   | 5558502      | PIN                      |                   | 1    |  | S-2485,S-2486               |
| 29   | X-8-423      | CAPSCREW                 |                   | 2    | 1/4"-20X1/2"   |                             |
| 30   | 20070        | OIL TROUGH               |                   | 1    |  | S-2485,S-2486               |
| 33   | 22803        | SHIFT BLOCK              |                   | 1    |  | S-2485,S-2486               |
| 34   | 8968         | PLUG                     |                   | 1    |  | S-2485,S-2486               |
| 35   | 18739        | SPRING                   |                   | 1    | W/SHIFT LEVER  | K-2756,S-2486               |
| 35   | 4302196      | SPRING                   |                   | 1    | W/REMOTE CONTROL   | K-2756,S-2485               |
| 36   | 10019        | PLUNGER                  |                   | 1    |  | S-2485,S-2486               |
| 37   | 4301555      | YOKE BAR                 |                   | 1    | 4TH/5TH  | S-2485,S-2486               |
| 38   | 16136        | SHIFT YOKE               |                   | 1    |  | S-2485,S-2486               |
| 999  | S-2485       | SHIFT BAR HSG ASSY (F)   | S - 2442          | 1    | COMPLETE - FOR USE W/REMOTE CONTROL                            |                             |
| 999  | S-2486       | SHIFT BAR HSG ASSY (F)   | 4303112 ,S - 2416 | 1    | COMPLETE - FOR USE W/SHIFT LEVER                               |                             |

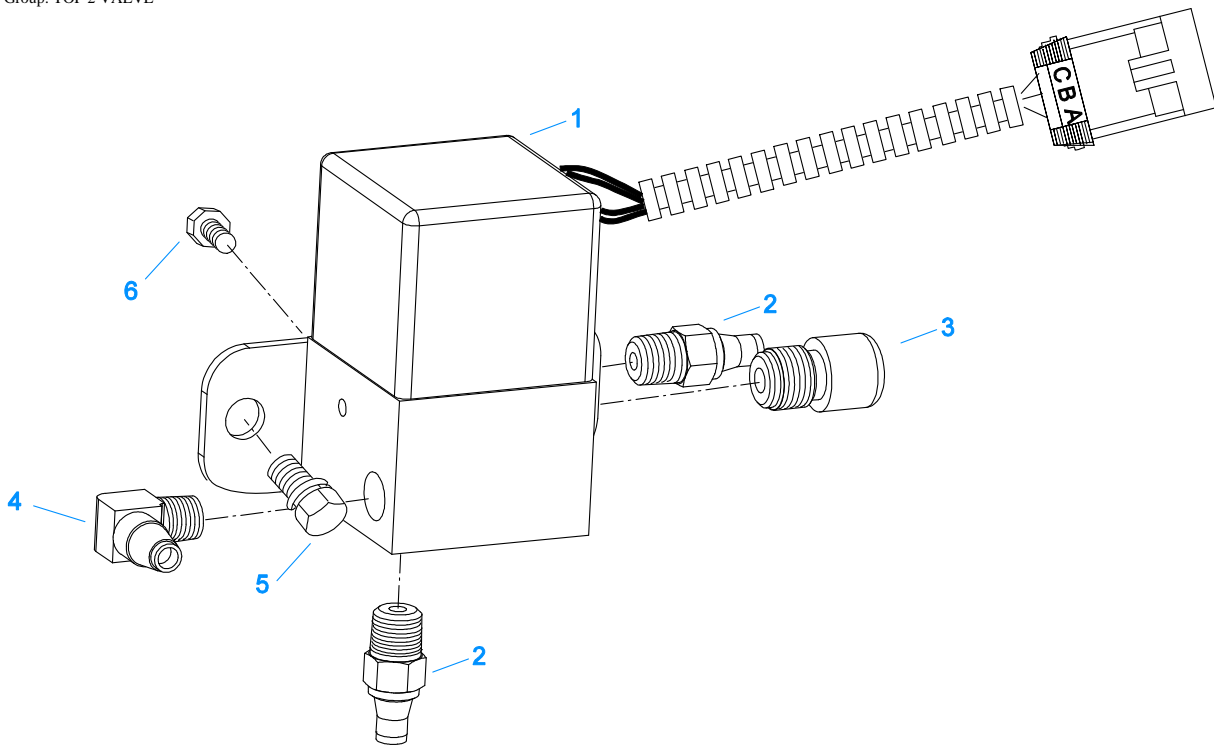
 Indicates part of item 999



11469-06-01

## SPLITTER CYLINDER

| Item | Current Part | Description           | Replaced Part | Qty. | Notes           | Kits/Assys Where Needed     |
|------|--------------|-----------------------|---------------|------|-----------------|-----------------------------|
| 1    | 21607        | SHIFT YOKE            |               | 1    |                 |                             |
| 2    | 3220         | LOCKSCREW             |               | 1    |                 | S-2485,S-2486               |
| 3    | 4303583      | GASKET                |               | 1    |                 | K-1603,K-2078,K-2295,K-2298 |
| 4    | 4303582      | SPLITTER CYLINDER     |               | 1    |                 |                             |
| 5    | 21208        | -O- RING              |               | 1    |                 | K-2078,K-2298               |
| 6    | 4300182      | YOKE BAR              |               | 1    |                 |                             |
| 7    | 21209        | -O- RING              |               | 1    |                 | K-2078,K-2298               |
| 8    | 5568534      | -O- RING              |               | 1    |                 | K-2078,K-2298,K-3333        |
| 9    | 13653        | -O- RING              |               | 1    |                 | K-2298,K-3333               |
| 10   | X2014210     | BREATHER              | 7935          | 1    |                 |                             |
| 11   | K-3333       | SPLITTER VLV REPL KIT | A - 6861      | 1    |                 |                             |
| 12   | X-8L-540     | CAPSCREW              |               | 4    | 5/16"-18X1-7/8" |                             |
| 999  | K-3333       | SPLITTER VLV REPL KIT | A - 6861      | 1    |                 |                             |



10139-12-97 Top 2

## TOP 2 VALVE

| Item | Current Part | Description    | Replaced Part  | Qty. | Notes                                  | Kits/Assys Where Needed        |
|------|--------------|----------------|----------------|------|--|--------------------------------|
| 1    | K-3198       | T-2 VALVE KIT  | 691300 ,691359 | 1    |  |                                |
| 2    | 84006        | CONNECTOR ASSY |                | 2    | "PUSH-TO-CONNECT" 5/32" TUBE-1/8" NPTF | K-3121, K-3198, S-2485, S-2486 |
| 3    | 7935         | BREATHER       |                | 1    |  | K-3198                         |
| 4    | 85001        | ELBOW ASSY     | 84501          | 1    | 5/32" TUBE-1/8" NPTF                   |                                |
| 5    | X-8C-556     | CAPSCREW       | X 8L 500       | 2    | 5/16"-18X3/4"                          |                                |
| 6    | X-8-214      | SCREW          |                | 2    |  |                                |

