



## Eaton Fuller RTO-14908LL Transmission Parts Manual

This is Eaton Fuller RTO-14908LL Transmission parts manual brought to you by Pro Gear and Transmission to assist you identifying the parts for your Eaton / Fuller transmission unit.

If you need any assistance identifying the correct Eaton / Fuller unit for your truck and equipment, contact your Eaton replacement parts specialists at Pro Gear and Transmission.

Pro Gear stocks every part for your Eaton transmission including: Valve Assemblies, Synchronizers, Yoke Assemblies, O-Ring Kits, Drive Gears, Gaskets, Bearing and Seal Kits, and much more.

Pro Gear and Transmission has same day shipping and thousands of products in stock and ready to ship internationally for your next project.

For parts or service contact the Eaton transmission specialists at Pro Gear & Transmission, Inc.

 CALL US

 EMAIL US

 VISIT MODEL PAGE

 VISIT ONLINE STORE



**Roadranger®**

More time on the road®

# Illustrated Parts List

---

**RTO-14908LL**  
**July 2011**

## Contents

How To Use The Illustrated Parts List .....	3
AUXILIARY DRIVE GEAR.....	4
CASE (AUX) .....	5
CASE (FRONT).....	7
COMBINATION CYLINDER .....	9
COUNTERSHAFT & BRGS(AUX).....	10
COUNTERSHAFT ASSY .....	11
FILTER REGULATOR.....	12
H & C W/A-5000 VALVE.....	13
INPUT SHAFT & DRIVE GEAR .....	14
INTEGRAL OIL PUMP .....	15
ISOLATORS .....	16
KITS & ASSEMBLIES .....	17
LEVERS/HOUSINGS .....	19
MAINSHAFT & SYNCHRO(AUX).....	21
MAINSHAFT ASSY .....	23
MISCELLANEOUS .....	25
OIL COOLER.....	26
REVERSE IDLER.....	27
ROADRANGER VALVE .....	29
SHIFT BAR HOUSING - RTO .....	30
SLAVE VALVE - A-5000.....	32

## How To Use The Illustrated Parts List

The information contained in this document is subject to frequent updates. Therefore, for the latest information available, please visit the interactive Electronic Parts Catalog at [www.roadranger.com/epc](http://www.roadranger.com/epc).

### Model Designation or Nomenclature

- For information regarding Model Designation and Nomenclature, visit [www.roadranger.com](http://www.roadranger.com).

### Kits and Assemblies (K/A's)

- Kits and Assemblies contain groups of individual or assembled parts developed for optimal replacement or repair of a service problem.
- Kits and Assemblies are shown with applicable parts groupings in the parts listings.

### Identifying Kits and Assemblies

A- Part numbers beginning with the letter 'A' are pre-assembled Production Assemblies

K- Part numbers beginning with the letter 'K' are kits that are not assembled

S- Part numbers beginning with the letter 'S' are pre-assembled Service Assemblies

- Note: Some Production Assemblies do not begin with a letter prefix (Midrange only).

### Illustrations

- Illustrations show parts in assembly groups.
- Item numbers on illustrations correspond with parts listings on pages adjacent to the illustration.
- Notes are included on illustrations where additional information is needed.

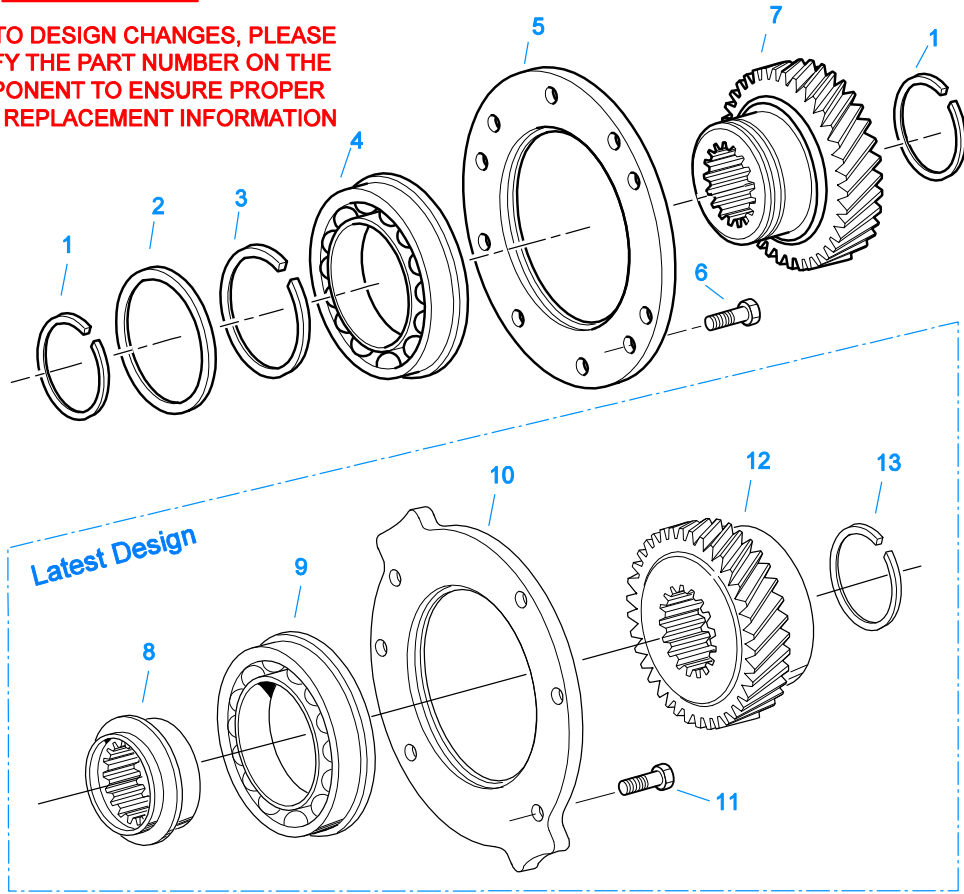
### Parts Listing

Parts listings are defined by parts groupings and are broken down by service assemblies. Parts listings identify a part for servicing with the following categories

- **Item Number** - corresponding with numbers on illustrations for part identification.
- **Current Part** - identifies part as it is available for service.
- **Description** - specifies part name or description.
- **Replaced Part** - quantity quantity required for assembly.
- **Quantity** - defines unique characteristics or requirements.
- **Notes** - indicates Kits or Assemblies that contain a particular part.
- **Kits/Assy's Where Used**

**IMPORTANT**

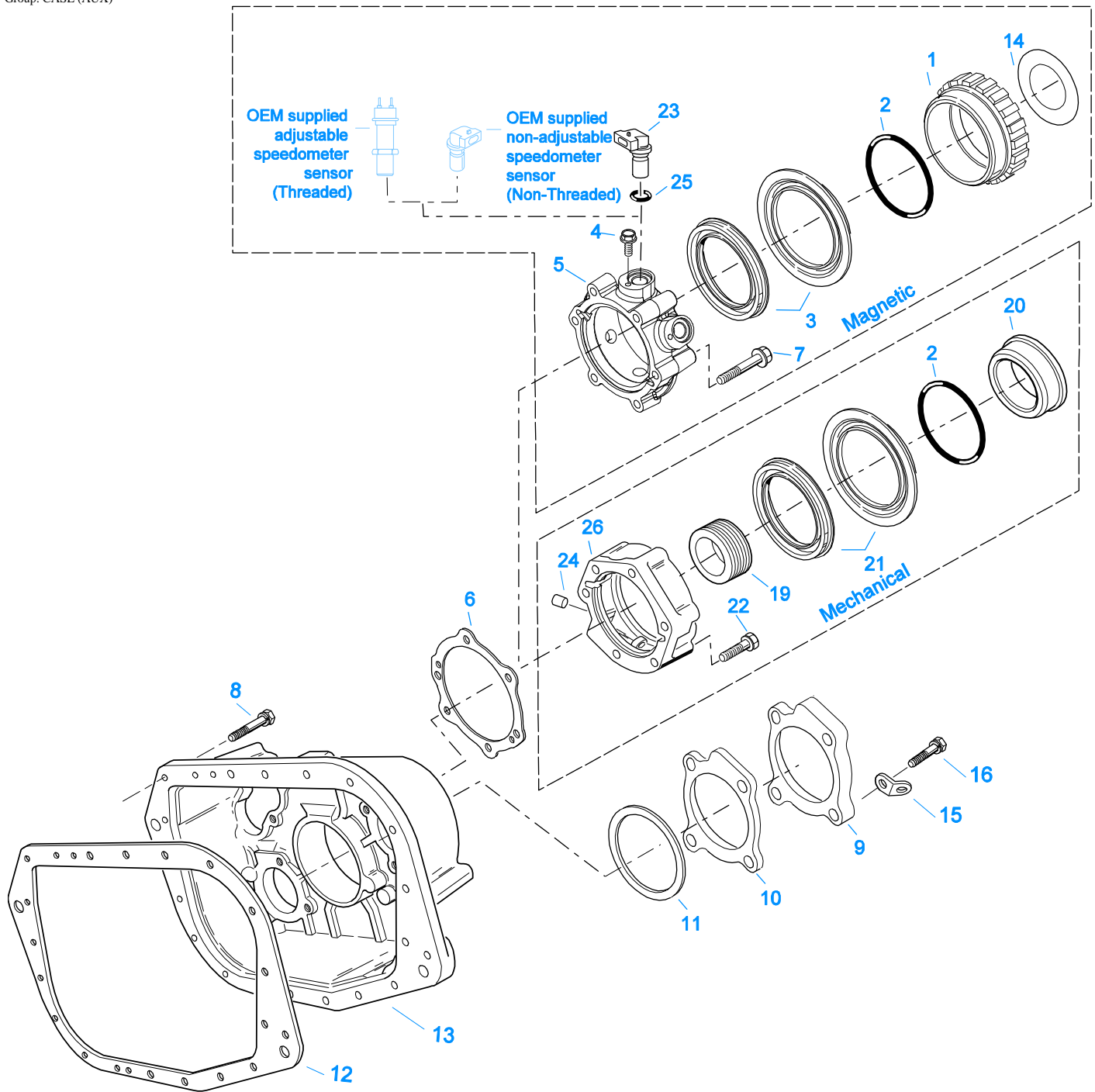
**DUE TO DESIGN CHANGES, PLEASE VERIFY THE PART NUMBER ON THE COMPONENT TO ENSURE PROPER PART REPLACEMENT INFORMATION**



10480A-09-03

**AUXILIARY DRIVE GEAR**

Item	Current Part	Description	Replaced Part	Qty.	Notes	Kits/Assys Where Needed
1	16763	SNAP RING		2		K-3233,K-3256,K-3259,K-3260,K-4092,K-4093
2	21320	SNAP RING RETAINER		1		
3	16628	SNAP RING		1		K-3260
4	5566507-BOX	BEARING	5566504,5566507	1		K-3256,K-4093
5	16138	BEARING RETAINER		1		
6	X-8-645	CAPSCREW	X 8 612	6	3/8"-16X1"	
7	21322	AUXILIARY DRIVE GEAR		1		
8	4303673	SPACER	4302046	1		
9	5566508-BOX	BEARING	5566503,5566508	1		K-3233,K-4092
10	4300894	RETAINER		1		
11	X-8-645	CAPSCREW	X 8 612	6	3/8"-16X1"	
12	4303360	AUXILIARY DRIVE GEAR		1		
13	16763	SNAP RING		1		K-3233,K-3256,K-3259,K-3260,K-4092,K-4093



10419-2-97

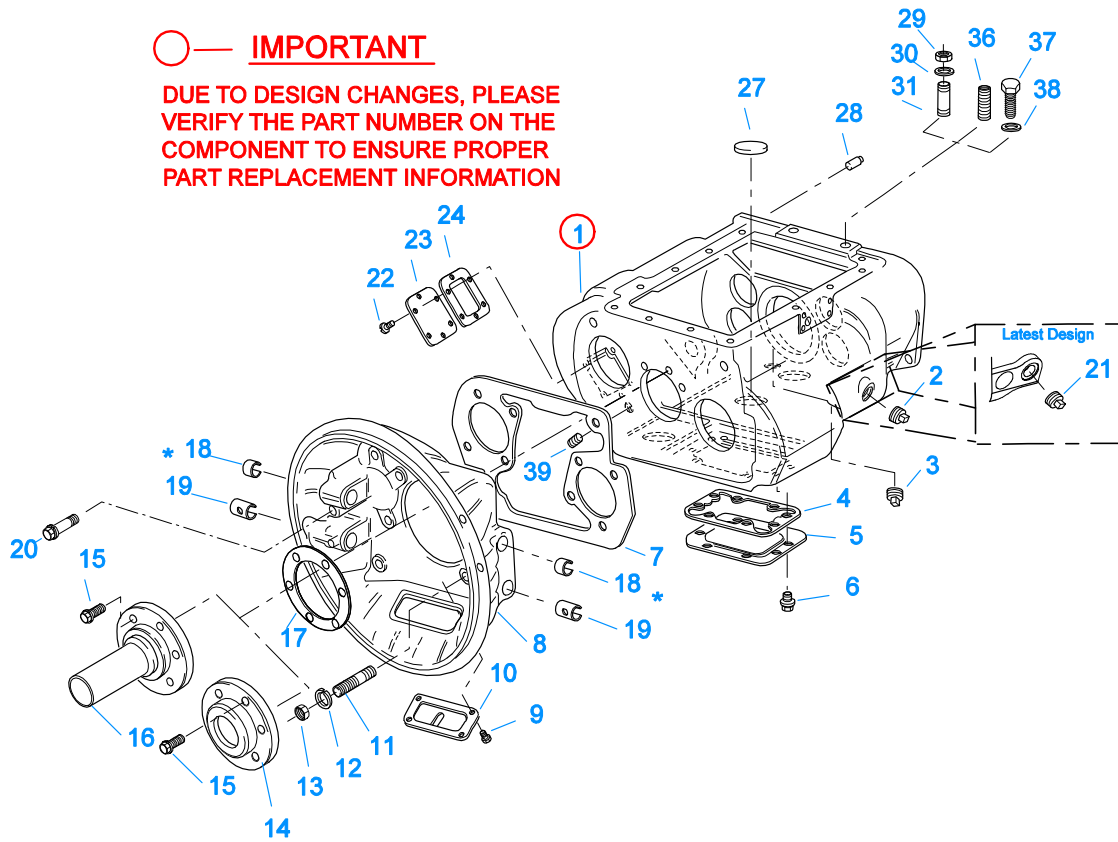
**CASE (AUX)**

Item	Current Part	Description	Replaced Part	Qty.	Notes	Kits/Assys Where Needed
1	S-2501	SPEEDO ROTOR ASSY	4302242	1	MAGNETIC	
2	5568511	-O- RING		1		K-2918,S-2501,S-2503,S-2712,S-2809
3	K-2918	OIL SEAL KIT	4302322 4302323	1	"FOR MAGNETIC COVER"	K-3233,K-3256,K-4092,K-4093
4	X-8-0801M	CAPSCREW		2	M8 X 1.25 X 12MM	
5	S-2809	REAR BEARING COVER ASSY	4302332 ,4303872 ,4304652 ,4305830	1	PUSH-IN/THREAD-IN MAGNETIC PICK-UP	
6	1009551	GASKET - RED EDGE		1	RED EDGE MOLDED GASKET -	K-2061,K-2262,K-

Item	Current Part	Description	Replaced Part	Qty.	Notes	Kits/Assys Where Needed
		MOLDED			UNCOMPRESSED THICKNESS .043 - .051 - NOT INTERCHANGEABLE WITH ANY OTHER GASKET	2918,S-2502,S-2809,S-2859
6	4302247	GASKET - PURPLE EDGE MOLDED		1	NON EDGE MOLDED GASKET - UNCOMPRESSED THICKNESS - .013 - .018 - NOT INTERCHANGABLE WITH ANY OTHER GASKET	K-2061,K-2262,K-2918
7	X-8L-611	CAPSCREW		4	3/8"-16X3-1/4"	
7	X-8L-614	CAPSCREW		2	3/8"-16X2"	
7	X-8L-614	CAPSCREW		6	3/8"-16X2" USE W/4303872 RBC	
8	X-8L-602	CAPSCREW		17	3/8"-16X1-1/2"	
8	X-8L-614	CAPSCREW		2	3/8"-16X2"	
9	4302320	COVER	21346	2		S-2712
10	4305978	GASKET	4302246	2		K-2061,S-2712
11	K-2805	SHIM KIT	21452 K - 2106	1		K-3233,K-3256,K-4092,K-4093,S-2712
12	14335	GASKET		1		K-2061,S-2712
13	4303353	REAR HOUSING	4303354	1		
14	4304653	SHIELD		1		S-2809
15	20815	LIFTING EYE	17105	2		S-2712
16	X-8L-604	CAPSCREW		8	3/8"-16X1-1/4"	
19	86104	SPEEDO DRIVE GEAR		1		
20	S-2503	SPEEDO SPACER ASSY	4302590	1	MECHANICAL	
21	K-2262	OIL SEAL W/SLINGER	19109 ,20807 ,20808	1	"FOR MECHANICAL COVER"	
22	X-8L-616	CAPSCREW	X 8 616	6	3/8"-16X2-3/4"	
23	K-3454	SPEED SENSOR KIT	A - 6398 ,A - 6724	1	SINGLE PICK-UP (2 PIN)	
23	K-3455	SPEED SENSOR KIT, DUAL	A - 7046 ,A - 7518	1	DUAL PICK-UP (4 PIN)	
24	7992	BUSHING		1		S-2502,S-2859
25	14142	-O- RING		1		
26	S-2502	REAR BRG COVER ASSY	4303604 ,4305827	1	MECHANICAL - 4:00 OPENING	
26	S-2859	REAR BRG COVER ASSY	4302732 ,4305826	1	MECHANICAL - 6:00 OPENING	

**○ — IMPORTANT**

**DUE TO DESIGN CHANGES, PLEASE VERIFY THE PART NUMBER ON THE COMPONENT TO ENSURE PROPER PART REPLACEMENT INFORMATION**



10300C-09-03 Iron/Alum Hsg

\*Bushing quantity requirements: #1 Housing – Upper bore use 4 #12815 / Lower bore use 2 #8677.

#2 Housing – Upper bore use 2 #12815 and 1 #8677 / Lower bore use 2 #8677.

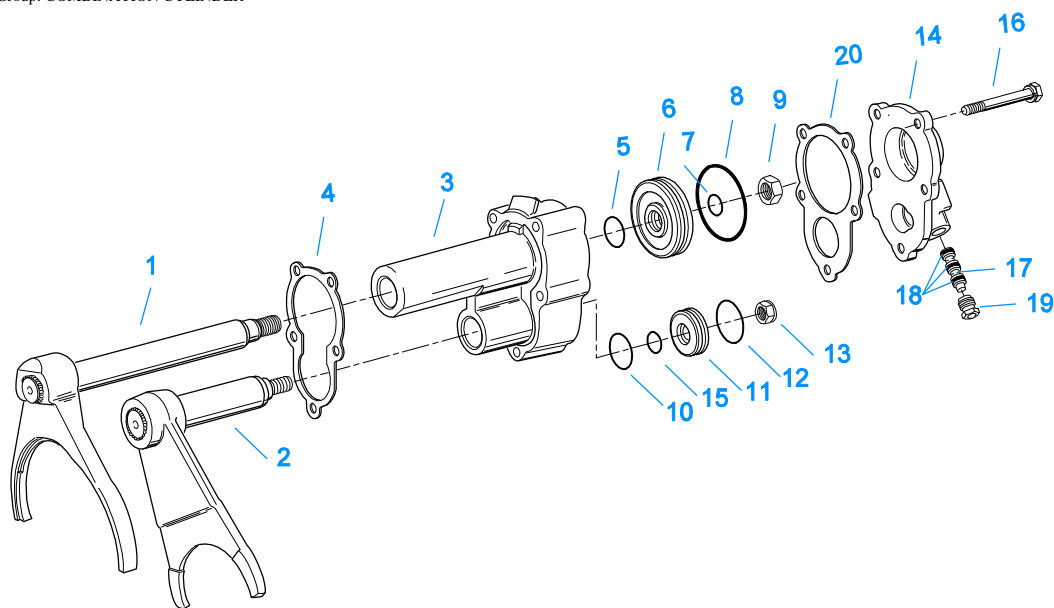
**Note: Some part requirements are specific to #1 or #2 Aluminum or Iron Clutch Housings and Push or Pull type Clutch.**

**CASE (FRONT)**

Item	Current Part	Description	Replaced Part	Qty.	Notes	Kits/Assys Where Needed
1	S-1545	CASE ASSY	21528	1	OLD DESIGN FOR USE W/INTEGRAL PUMP	
1	S-1549	CASE ASSY	21318	1		
1	S-2497	CASE ASSY	4303361	1	LATEST DESIGN FOR USE W/INTEGRAL PUMP	
2	X-12-2007	PIPE PLUG	X12 2006	1		
3	X-12-1207	PIPE PLUG	X12 1202 ,X12 1206	1	3/4" MAGNETIC	
4	4305310	GASKET	4302810	1		K-2061
5	4302809	PTO COVER	16596 ,4300571	1		
6	X-8-725	CAPSCREW	X 8 724	8	7/16"-14X7/8"	
7	4306584	CLUTCH HOUSING GASKET	4304815,4305668	1		K-2061
8	A-3713	CLUTCH HOUSING ASSY	A - 3700	1	#1 PUSH-PULL IRON	
8	A-5728	CLUTCH HOUSING ASSY	4300259 ,A - 4342	1	#1 PULL - ALUMINUM	
8	A-5992	CLUTCH HOUSING ASSY	4301103	1	#1 PULL ALUM.(SPECIAL-LIGHTER WEIGHT)	
9	239614	SCREW	X-8L-509	4	5/16-18X.81 QUANTITY DEPENDENT ON DESIGN	
10	14506	HAND HOLE COVER		1	#2 PUSH	
10	14507	HAND HOLE COVER		1	#2 PULL	
10	4305230	HAND HOLE COVER	11453	1	#1 PULL	
10	4305231	HAND HOLE COVER	1565	1	#1 PUSH	
11	4306583	STUD	5966	6		
12	X-10-1005	WASHER	X 3 1000 ,X10 1000 ,X10 1004	6	1.23 X 6.60	
13	X-1-1012	HEX NUT	X-1-1005	6	.625-18	
14	20550	FRONT BEARING COVER		1	2" PULL	K-2468,K-4125
15	X-8L-604	CAPSCREW		6	3/8"-16X1-1/4"	



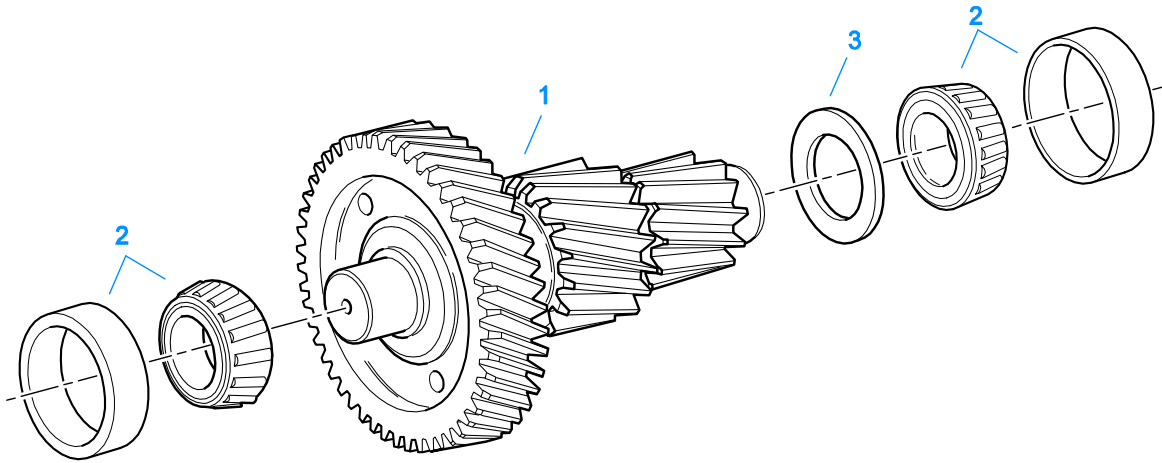
Item	Current Part	Description	Replaced Part	Qty.	Notes	Kits/Assys Where Needed
16	20549	FRONT BEARING COVER		1	2" PUSH	
17	14311	GASKET		1		K-2061
18	12815	BUSHING		2	FOR #2 HOUSING UPPER	A-3713,A-5728,A-5992,K-2468
18	12815	BUSHING		4	FOR #1 HOUSING UPPER	A-3713,A-5728,A-5992,K-2468
18	8677	BUSHING		1	FOR #2 HOUSING UPPER	A-3713
19	8677	BUSHING		2	FOR #1 AND #2 HOUSING LOWER	A-3713
20	X-8C-830	HEX HEAD SCREW/WASHER ASSY	X-8C-826	4	.500-13 X 1.490, USE 2 PCS FOR IRON HOUSING, USE 4 PCS FOR ALUMINUM HOUSING	
20	X-8C-831	HEX HEAD SCREW/WASHER ASSY	X-8C-822	2	.500-13 X 3.460, FOR IRON HOUSING	
21	4304023	PLUG	4303747	1	1-1/16" MAGNETIC, O-RING INCLUDED	S-1545,S-1549,S-2497
22	X-8-686	CAPSCREW		6	3/8"-16X3/4"	
23	14575	PTO COVER	4302254	1		
24	4305309	GASKET	1684	1		K-2061
27	14373	MAGNET		3		S-1545,S-1549,S-2497
28	18128	PIN		2		
29	X-1-1012	HEX NUT		2	.625-18	
30	X-10-1005	WASHER	X 3 1000 ,X10 1000 ,X10 1004	2	1.23 X 6.60	
31	14554	STUD	1632 ,6579	2	5/8" X 2-3/16"	
36	23104	PLUG	1712	2		
37	X-8-1005	CAPSCREW		2	5/8"-11X1-1/4"	
38	20814	SPACER		2		
39	X-12-802	PIPE PLUG	X12 800	1	1/2"	



10475-4-92 CMB CYL

**COMBINATION CYLINDER**

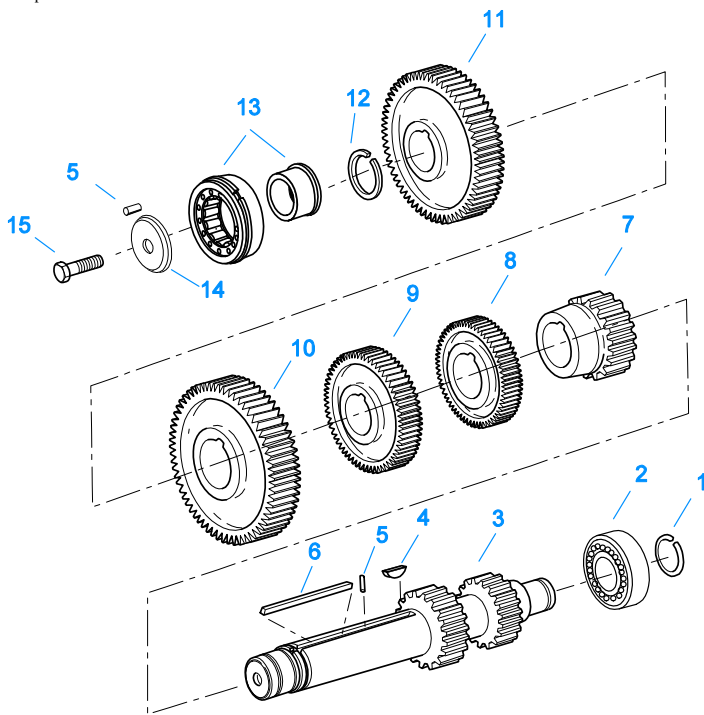
Item	Current Part	Description	Replaced Part	Qty.	Notes	Kits/Assys Where Needed
1	A-5159	YOKE ASSY	21333	1	RANGE	
2	A-5160	YOKE ASSY	21335	1	REDUCTION	
3	21330	CYLINDER		1		
4	21332	GASKET		1		K-2054,K-2061
5	14765	-O- RING		1		K-2054
6	14341	PISTON	23353	1		
7	14345	-O- RING		1		K-2054
8	14344	-O- RING		1		K-2054
9	X-1-1010	NUT		1	5/8"-18	
10	14644	-O- RING		1		K-2054
11	K-2427	PISTON KIT	21337 ,4301320	1		
12	20423	-O- RING		1		K-2054
13	X-1-803	NUT		1	1/2"-20	
14	21329	CYLINDER COVER		1		
15	4301348	-O- RING		1		K-2054,K-2427
16	X-8L-631	CAPSCREW	X 8 631	5	3/8"-16X3-1/2"	
17	19974	INSERT VALVE	15512 4303616	1		K-3233,K-3256,K-4092,K-4093
18	13653	-O- RING		3		K-1457
19	15719	PLUG		1		
20	21331	GASKET		1		K-2054,K-2061,K-2427



10445-12-93 AUXCS

### COUNTERSHAFT & BRGS(AUX)

Item	Current Part	Description	Replaced Part	Qty.	Notes	Kits/Assys Where Needed
1	K-3500	COUNTERSHAFT REPL KIT	A - 6843	2		
2	4302074-BOX	BEARING	21343,4302074	4		K-3233,K-3256,K-4092,K-4093
3	21342	SPACER		2		



10341-1/92 CS/RT

## COUNTERSHAFT ASSY

Item	Current Part	Description	Replaced Part	Qty.	Notes	Kits/Assys Where Needed
1	14317	SNAP RING		2		K-3233,K-3256,K-3259,K-3260,K-4092,K-4093
2	4303031	BEARING	14366	2		K-3233,K-3256,K-4092,K-4093
3	K-2934	CNTRSHFT-W/REV & LO	19549	2		
4	X-6-E	KEY		2		
5	62511	ROLL PIN		2		
6	4304840	KEY	19673	2		
7	4306076	1ST GEAR-CNTRSHFT	19247,20471	2		
8	20482	2ND GEAR-CNTRSHFT	19615	2		
9	4305661	OD GEAR-CNTRSHFT	19631 ,19633 ,20481 ,4302233,20459	2		
10	15953	PTO GEAR - LOWER		1		
10	16390	NO LONGER AVAILABLE		2	OPTIONAL IF PTO GEARS ARE NOT USED	
10	20840	PTO GEAR - UPPER	15952	1		
11	4305657	DRIVE GEAR-CNTRSHFT	19240,21020	2		
12	19198	SNAP RING		2		K-3260
13	4304599	BEARING	4302677 4304598	2		K-3233,K-3256,K-4092,K-4093
14	4304605	RETAINER	19548	2	ROLL PIN NO LONGER REQUIRED	
15	X-7-1005	CAPSCREW		2	5/8"-18X1-3/4"	

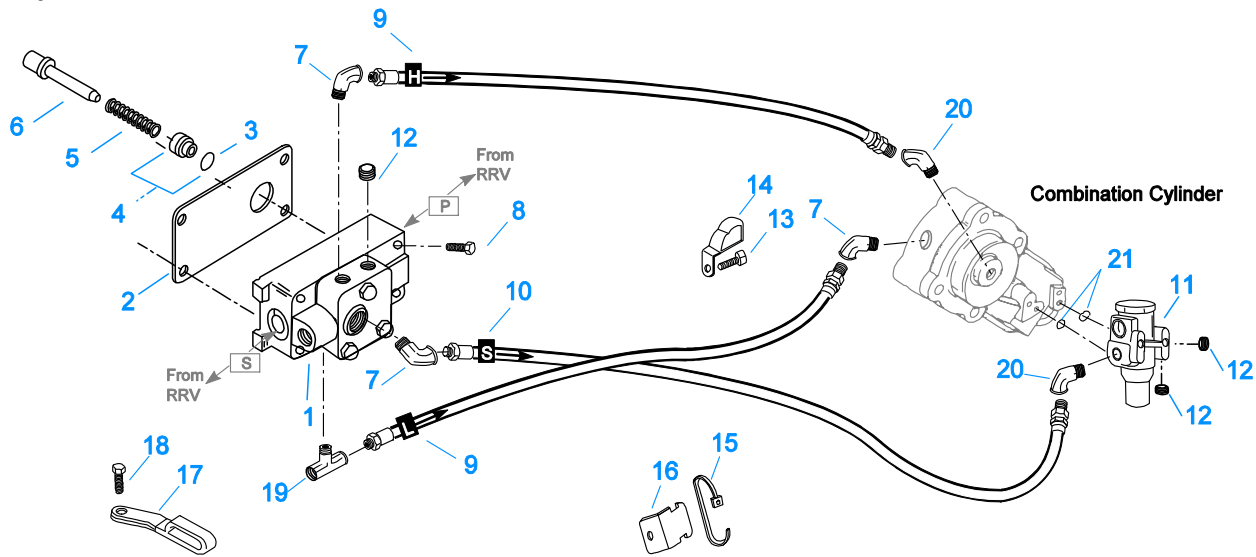
Group: FILTER REGULATOR



## FILTER REGULATOR

Item	Current Part	Description	Replaced Part	Qty.	Notes	Kits/Assys Where Needed
1	K-2170	FILTER REG KIT	A - 5454	1		
2	K-1698	-O- RING/ELEMENT KIT		1	FOR FILTER REGULATOR	
3	X-8C-412	CAPSCREW	X 8S 412	2	1/4"-20X2-1/4"	

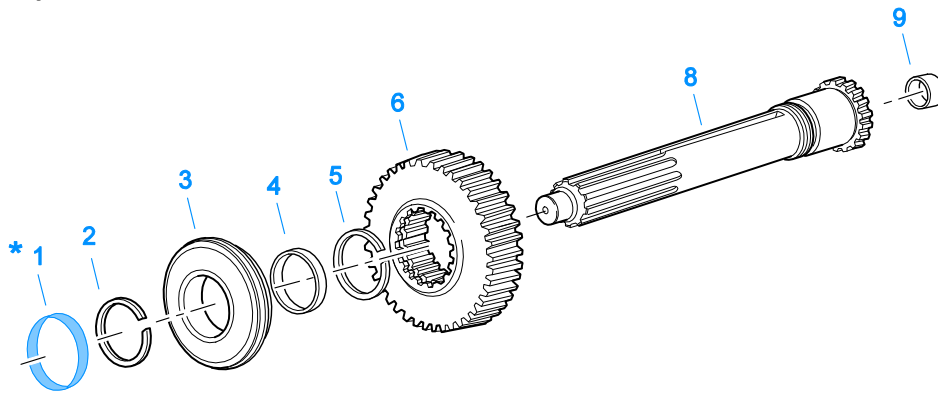
Group: H & C W/A-5000 VALVE



10110H-11-93 A-5000 HC

### H & C W/A-5000 VALVE

Item	Current Part	Description	Replaced Part	Qty.	Notes	Kits/Assys Where Needed
1	A-5000	SLAVE VALVE ASSY	20850	1		
2	19481	GASKET		1		K-2061
3	19462	-O- RING	14033	1		K-1969
4	K-1969	SLEEVE KIT	14362 ,19460 ,21446	1	FOR SLAVE VALVES	
5	21268	SPRING	19572	1		
6	20490	PIN	19459	1		
7	12845	ELBOW		3	1/8"	
8	X-8C-411	CAPSCREW		4	1/4"-20X1-3/4"	
9	55509	HOSE ASSY		2	34"	
10	55528	HOSE ASSY		1	36"	
11	K-2170	FILTER REG KIT	A - 5454	1		
12	X-12-208	PIPE PLUG		3	1/8" NPT	
13	X-8L-601	CAPSCREW		1	3/8"-16X3/4"	
14	21427	HOSE CLAMP		1		
15	21425	STRAP		1		
16	21426	BRACKET		1		
17	21428	HOSE CLAMP		1		
18	X-8L-604	CAPSCREW		1	3/8"-16X1-1/4"	
19	21086	BRANCH TEE		1	1/8"	
20	12880	ELBOW		2	1/8"	
21	15114	-O- RING		2		A-5000,K-1935,K-2054,K-2170



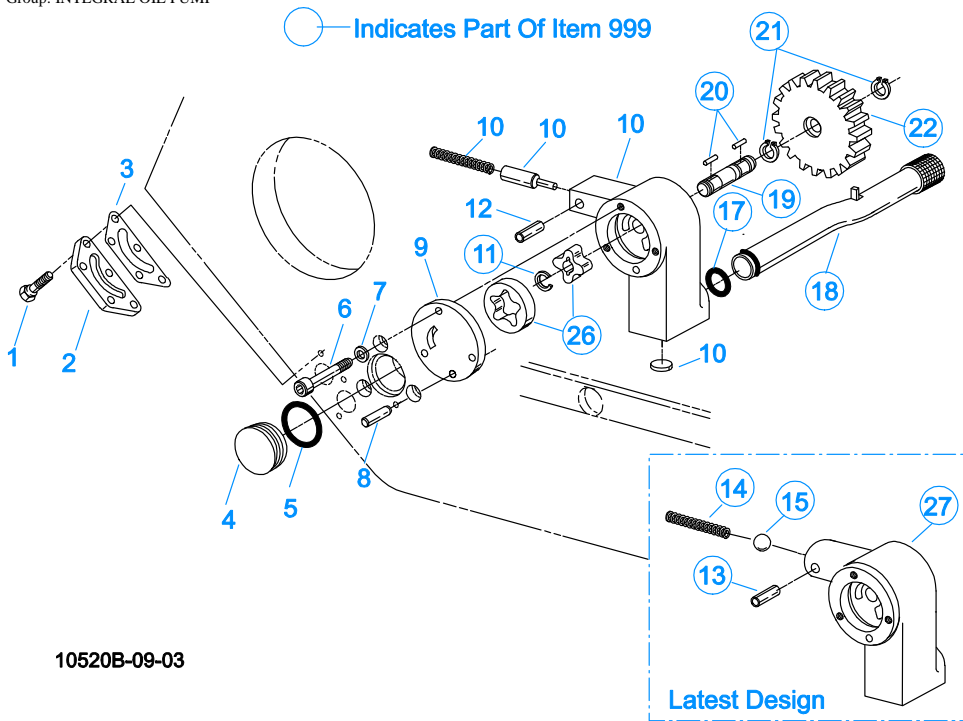
\* For Shipping Only -- Do Not Replace

\*

10370-1/92 IS

### INPUT SHAFT & DRIVE GEAR

Item	Current Part	Description	Replaced Part	Qty.	Notes	Kits/Assys Where Needed
1	23559	SHIPPING SEAL		1	NOT SOLD FOR SERVICE	
2	16980	SNAP RING		1		K-2468,K-3259,K-3260,K-4092,K-4093,K-4125
3	4301417	BEARING	81504	1		K-3233,K-3256,K-4092,K-4093
4	16463	SPACER		1		
5	14750	SNAP RING		1		K-2468,K-3233,K-3256,K-3259,K-3260,K-4092,K-4093,K-4125
6	4305659	MAIN DRIVE GEAR	22030 ,4302086,22028	1		
8	S-1659	INPUT SHAFT	23566	1	2" PULL - USE W/FBC 20550	K-2468,K-4092,K-4093,K-4125
8	S-1660	INPUT SHAFT	23567	1	2" PUSH - USE W/FBC 20549	
9	16566	BUSHING		1		K-3233,K-3256,S-1659,S-1660



## INTEGRAL OIL PUMP

Item	Current Part	Description	Replaced Part	Qty.	Notes	Kits/Assys Where Needed
1	X-8C-409	CAPSCREW		5	1/4"-20X5/8"	
2	K-2402	COVER & SCREW KIT	4300751	1		
3	20514	GASKET		1		K-2061,K-2402
4	20823	PLUG		1		
5	14765	-O- RING		1		K-2054
6	X-8-448	SCREW	X 8 445	3	1/4"-20X1-1/4"	
7	20824	WASHER		3		K-3367
8	20825	DOWEL PIN		1		
9	4303107	RETAINER	20510	1		S-1545
10	K-3367	OIL PUMP KIT	4301829 ,4301948 ,4303776 ,4304529 ,4304572 A - 6963 ,A - 7173	1		
11	20518	CRESCENT RING		1		
12	62516	ROLL PIN	62521	1		
13	62514	ROLL PIN		1		
14	K-3367	OIL PUMP KIT	4301829 ,4301948 ,4303776 ,4304529 ,4304572 A - 6963 ,A - 7173	1		
15	X-14-700	STEEL BALL		1	7/16"	
17	20225	-O- RING		1		
18	4305713	SUCTION TUBE	4304628	1	O-RING INCLUDED ON SUCTION TUBE	K-3367
19	20508	DRIVE SHAFT		1		
20	20509	KEY		2		
21	14853	SNAP RING		2		
22	20511	DRIVE GEAR		1		
26	20507	ELEMENT		1		
27	K-3367	OIL PUMP KIT	4301829 ,4301948 ,4303776 ,4304529 ,4304572 A - 6963 ,A - 7173	1		
999	K-3367	OIL PUMP KIT	4301829 ,4301948 ,4303776 ,4304529 ,4304572 A - 6963 ,A - 7173	1		





10210-1-92 Isolator

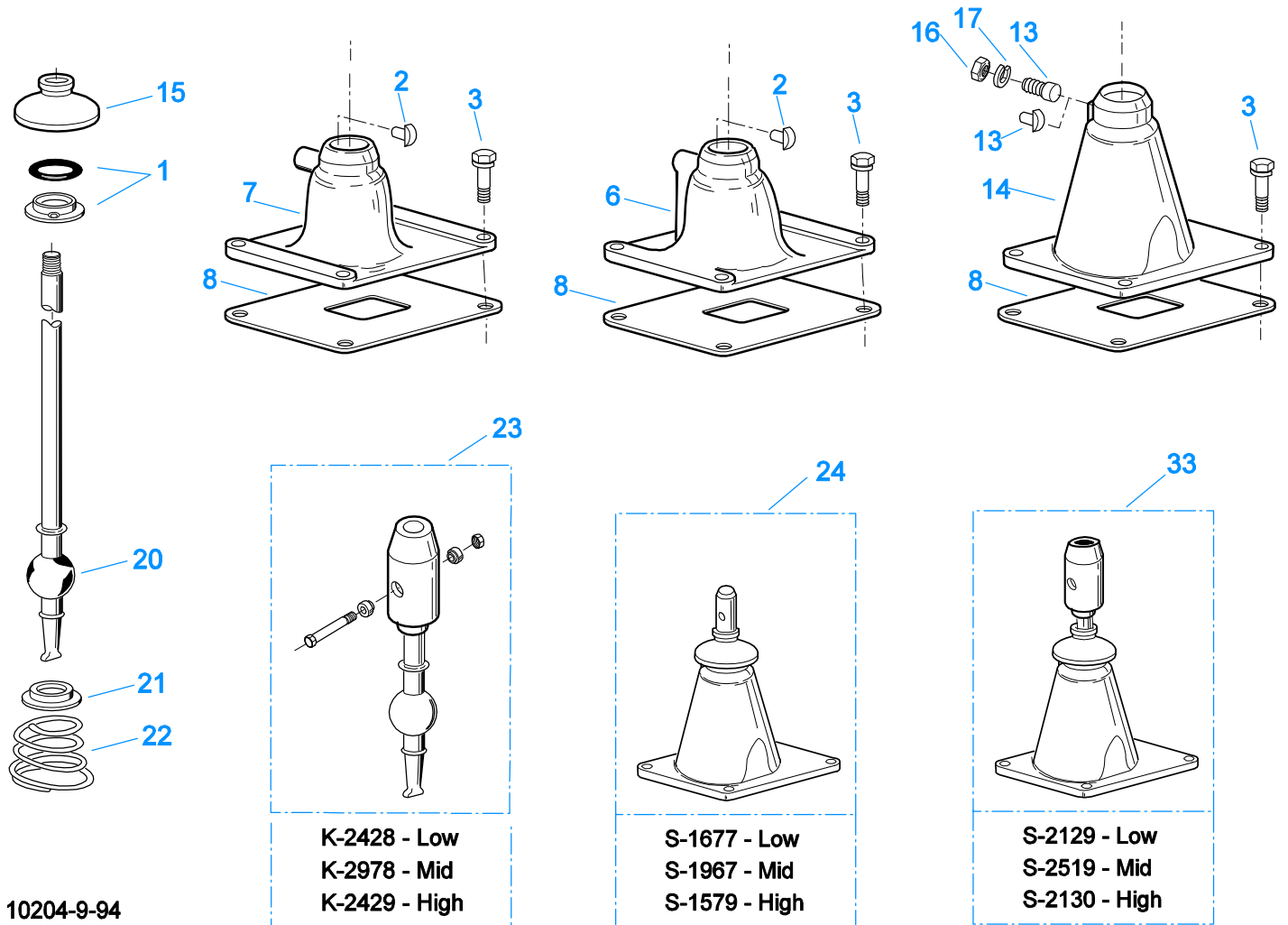
## ISOLATORS

Item	Current Part	Description	Replaced Part	Qty.	Notes	Kits/Assys Where Needed
1	19124	-E- RING		2		
2	K-3467	PIN REPLACEMENT KIT	21245	1		
3	21246	BUSHING		2		K-2003,K-2428,K-2429,K-2978,K-3399,S-2129,S-2130,S-2519
4	S-1794	ISOLATOR ASSY		1		
6	21247	LEVER		1	STRAIGHT 18.67"	
7	21235	STUB LEVER		1	LOW TOWER	K-2428,S-1677
7	21236	STUB LEVER		1	HIGH TOWER	K-2429,S-1579,S-2130
7	4301168	STUB LEVER		1	MID TOWER	K-2978
9	21767	90 DEG LEVER		1	STRAIGHT 33"	
10	K-3399	ISOLATOR BUSHING KIT	21244 ,23311	1		
11	X-8-560	SCREW		1		
12	X-9-503	NUT		1		

## KITS & ASSEMBLIES

Item	Current Part	Description	Replaced Part	Qty.	Notes	Kits/Assys Where Needed
K-1457		-O- RING KIT		1	FOR INSERT VALVE	
K-1476		SHIFT LEVER HSG	4530 ,17163 ,18298 ,4304905 ,A - 4437	1	LOW TOWER	
K-1698		-O- RING/ELEMENT KIT		1	FOR FILTER REGULATOR	
K-1935		REPAIR KIT-SLAVE VALVE		1	FOR A-5000 VALVE	
K-1956		COOLER INSTLN KIT		1		
K-1969		SLEEVE KIT	14362 ,19460 ,21446	1	FOR SLAVE VALVES	
K-2003		PIN & BUSHING KIT		1		
K-2054		-O- RING KIT		1		K-3233,K-3256,K-4092,K-4093
K-2061		GASKET KIT		1		K-3233,K-3256,K-4092,K-4093
K-2170		FILTER REG KIT	A - 5454	1		
K-2262		OIL SEAL W/SLINGER	19109 ,20807 ,20808	1	"FOR MECHANICAL COVER"	
K-2394		AIR SYSTEMS TOOL KIT		1		
K-2402		COVER & SCREW KIT	4300751	1		
K-2427		PISTON KIT	21337 ,4301320	1		
K-2428		LEVER REPLACEMENT KIT		1	LOW TOWER	
K-2429		LEVER REPLACEMENT KIT		1	HIGH TOWER	
K-2468		CLUTCH INSTALLATION KIT		1	FOR USE WITH S-1659 INPUT SHAFT ASSY AND 81504 INPUT SHAFT BEARING	
K-2805		SHIM KIT	21452 K - 2106	1		K-3233,K-3256,K-4092,K-4093,S-2712
K-2918		OIL SEAL KIT	4302322 4302323	1	"FOR MAGNETIC COVER"	K-3233,K-3256,K-4092,K-4093
K-2934		COUNTERSHAFT REPL KIT	19549	1		
K-2973		SHIFT LEVER HSG KIT	17166 ,17167 ,4303050 ,4304910 ,K - 1630 K - 1941	1	HIGH TOWER	
K-2977		SHIFT LEVER HSG KIT	4301167 ,4304907 ,A - 6040	1	MID TOWER	
K-2978		LEVER REPLACEMENT KIT		1	MID TOWER	
K-3104		ACTUATOR PIN KIT	4303287	1		
K-3192		MASTER VALVE REPAIR KIT		1	FOR A-6915 VALVE	
K-3194		MASTER VALVE REPAIR KIT		1	FOR A-7315 VALVE	
K-3209		IDLER SHAFT REPL KIT	16405 ,4302981 ,4305513	1		
K-3233		BASIC REBUILD KIT		1	FOR USE WITH LATEST DESIGN TRANSMISSION - SEE THE AUXILIARY DRIVE GEAR GROUP TO DETERMINE WHICH DESIGN YOU ARE SERVICING	
K-3256		BASIC REBUILD KIT		1	FOR USE WITH OLD DESIGN TRANSMISSION - SEE THE AUXILIARY DRIVE GEAR GROUP TO DETERMINE WHICH DESIGN YOU ARE SERVICING	
K-3259		SMALL PARTS KIT		1	FOR USE WITH LATEST DESIGN TRANSMISSION - SEE THE AUXILIARY DRIVE GEAR GROUP TO DETERMINE WHICH DESIGN YOU ARE SERVICING	
K-3260		SMALL PARTS KIT		1	FOR USE WITH OLD DESIGN TRANSMISSION - SEE THE AUXILIARY DRIVE GEAR GROUP TO DETERMINE WHICH DESIGN YOU ARE SERVICING	
K-3367		OIL PUMP KIT	4301829 ,4301948 ,4303776 ,4304529 ,4304572 A - 6963 ,A -	1		

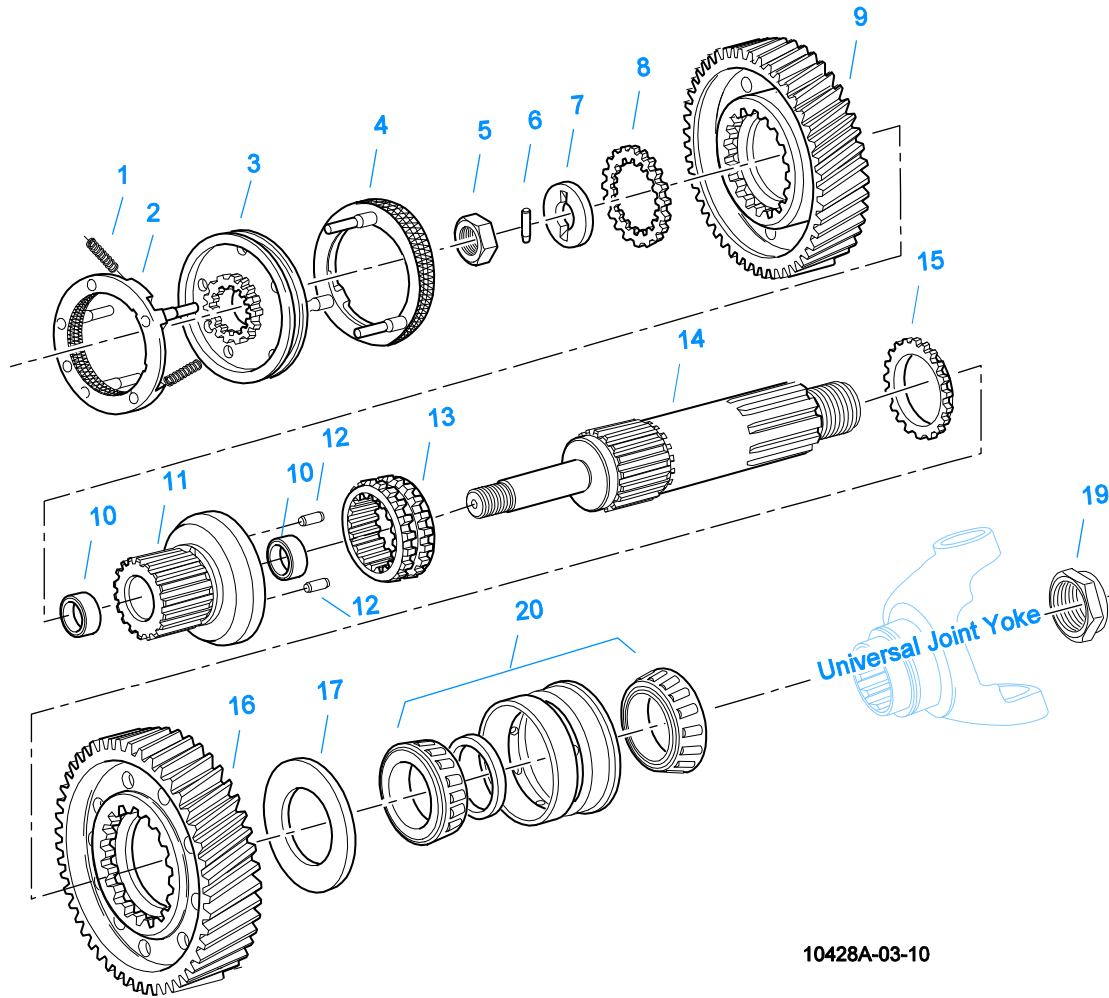
Item	Current Part	Description	Replaced Part	Qty.	Notes	Kits/Assys Where Needed
			7173			
	K-3399	ISOLATOR BUSHING KIT	21244 ,23311	1		
	K-3467	PIN REPLACEMENT KIT	21245	1		
	K-3492	SYNCHRONIZER KIT	K - 2446	1		
	K-3494	SYNCHRONIZER REPLACEMENT KIT	K - 2448	1	SLIDING CLUTCH INCLUDED IN KIT	
	K-3500	COUNTERSHAFT REPL KIT	A - 6843	1		
	K-4092	BASIC OVERHAUL KIT	K-3234	1	FOR USE WITH LATEST DESIGN TRANSMISSION - SEE THE AUXILIARY DRIVE GEAR GROUP TO DETERMINE WHICH DESIGN YOU ARE SERVICING	
	K-4093	BASIC OVERHAUL KIT	K-3258	1	FOR USE WITH OLD DESIGN TRANSMISSION - SEE THE AUXILIARY DRIVE GEAR GROUP TO DETERMINE WHICH DESIGN YOU ARE SERVICING	
	K-4125	CLUTCH INSTALLATION KIT (RT), HYDRAULIC RELEASE		1	STANDARD RT INPUT SHAFT AND YOKE FOR HYDRAULIC CLUTCH RELEASE	
	S-1219	YOKE ASSY LOW-REV		1		
	S-1404	OIL FILTER	17238	1		
	S-1445	SHIFT BAR HSG-RTO	20215 ,21135 ,4302452	1	HOUSING ONLY (X)	
	S-1446	SHIFT BAR HSG-RTOF	20217 ,21136	1	HOUSING ONLY (XF)	
	S-1516	CAP ASSY	20851 ,20853	1		
	S-1527	SHIFT BAR HSG ASSY-RTO	20215 ,21135 ,4302452	1	COMPLETE (X)	
	S-1528	SHIFT BAR HSG ASSY-RTOF	20217 ,21136	1	COMPLETE (XF)	
	S-1545	CASE ASSY	21528	1	OLD DESIGN FOR USE W/INTEGRAL PUMP	
	S-1549	CASE ASSY	21318	1		
	S-1659	INPUT SHAFT	23566	1	2" PULL - USE W/FBC 20550	K-2468,K-4092,K-4093,K-4125
	S-1660	INPUT SHAFT	23567	1	2" PUSH - USE W/FBC 20549	
	S-1794	ISOLATOR ASSY		1		
	S-2129	SHIFT LEVER HSG ASSY		1	LOW TOWER	
	S-2130	SHIFT LEVER HSG ASSY	S - 2053	1	HIGH TOWER	
	S-2497	CASE ASSY	4303361	1	LATEST DESIGN FOR USE W/INTEGRAL PUMP	
	S-2501	SPEEDO ROTOR ASSY	4302242	1	MAGNETIC	
	S-2502	REAR BRG COVER ASSY	4303604 ,4305827	1	MECHANICAL - 4:00 OPENING	
	S-2503	SPEEDO SPACER ASSY	4302590	1	MECHANICAL	
	S-2519	SHIFT LEVER HSG ASSY	S - 2919	1	MID TOWER	
	S-2581	ROADRANGER VALVE ASSY		1	RTO-W/SHIFT PATTERN	
	S-2688	MAINSHAFT ASSY	4303404 ,4303913	1		
	S-2712	RANGE SECTION ASSY		1		
	S-2712R	REMAN RANGE SECTION ASSY		1		
	S-2809	REAR BEARING COVER ASSY	4302332 ,4303872 ,4304652 ,4305830	1	PUSH-IN/THREAD-IN MAGNETIC PICK-UP	
	S-2859	REAR BRG COVER ASSY	4302732 ,4305826	1	MECHANICAL - 6:00 OPENING	



## LEVERS/HOUSINGS

Item	Current Part	Description	Replaced Part	Qty.	Notes	Kits/Assys Where Needed
1	K-3376	O-RING & WASHER KIT	4301211	1		
2	18299	PIN		1		K-1476,K-2977,S-1677
3	X-8C-1036M	CAPSCREW	X-8-1005M	4	M10 X 1.5 X 38MM	
6	K-2977	SHIFT LEVER HSG KIT	4301167 ,4304907 ,A - 6040	1	MID TOWER	
7	K-1476	SHIFT LEVER HSG	4530 ,17163 ,18298 ,4304905 ,A - 4437	1	LOW TOWER	
8	4305294	GASKET	4303431	1		K-1476,K-2061,K-2428,K-2429,K-2973,K-2977,K-2978,S-1527,S-1528,S-1579,S-1677,S-1967,S-2129,S-2130,S-2519
13	4303030	PIN		1		K-2973,S-1579,S-2130
13	6541	PIN		1	3/8" - USED W/17167 ONLY	
14	K-2973	SHIFT LEVER HSG KIT	17166 ,17167 ,4303050 ,4304910 ,K - 1630 K - 1941	1	HIGH TOWER	
15	10427	BOOT		1		K-1476,K-2973,K-2977,S-1579,S-1677,S-2130
16	X-1-600	NUT		1	3/8"-24-N.F.PLAIN	
17	X-3-600	LOCKWASHER		1	3/8"	
20	17600	GEAR SHIFT LEVER		1	STRAIGHT - LOW 21-1/2"	
20	18482	GEAR SHIFT LEVER		1	STRAIGHT - HIGH 35"	

Item	Current Part	Description	Replaced Part	Qty.	Notes	Kits/Assys Where Needed
21	2538	RETAINER		1		K-1476,K-2973,K-2977,S-1579,S-1677,S-2130
22	2536	SPRING		1		K-1476,K-2973,K-2977,S-1579,S-1677,S-2130
23	K-2428	LEVER REPLACEMENT KIT		1	LOW TOWER	
23	K-2429	LEVER REPLACEMENT KIT		1	HIGH TOWER	
23	K-2978	LEVER REPLACEMENT KIT		1	MID TOWER	
24	S-1579	SHIFT TOWER ASSY		1	HIGH TOWER	
24	S-1677	SHIFT TOWER ASSY		1	LOW TOWER	
24	S-1967	SHIFT TOWER ASSY		1	MID TOWER	
33	S-2129	SHIFT LEVER HSG ASSY		1	LOW TOWER	
33	S-2130	SHIFT LEVER HSG ASSY	S - 2053	1	HIGH TOWER	
33	S-2519	SHIFT LEVER HSG ASSY	S - 2919	1	MID TOWER	

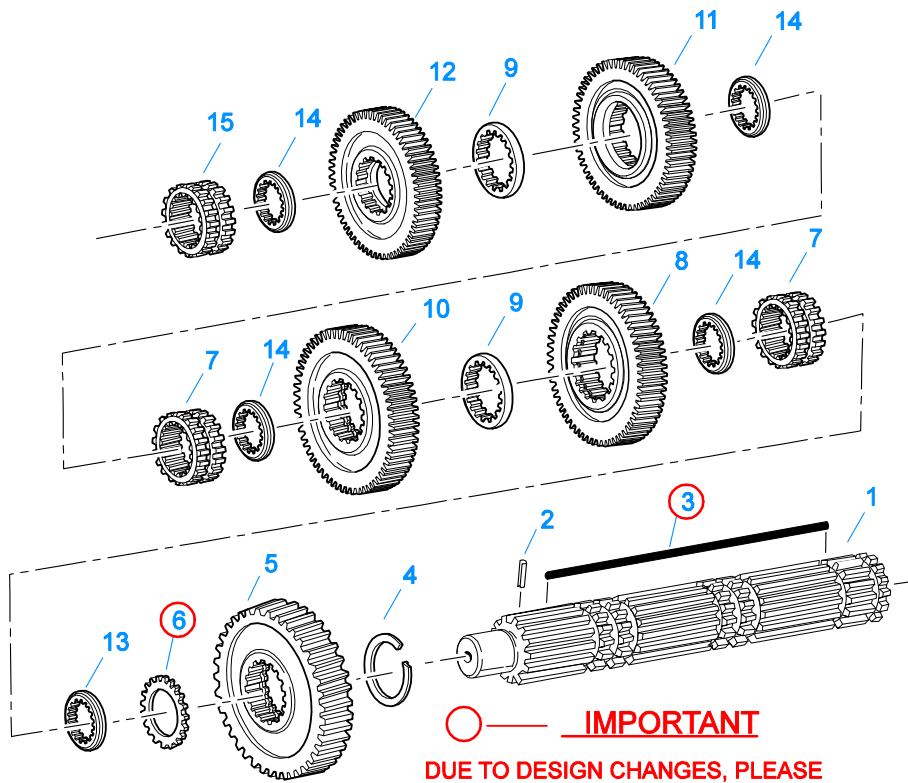


10428A-03-10

### MAINSHAFT & SYNCHRO(AUX)

Item	Current Part	Description	Replaced Part	Qty.	Notes	Kits/Assys Where Needed
1	14897	SPRING		3		K-3233,K-3256,K-3259,K-3260,K-3492,K-3494,K-4092,K-4093
2	A-7331	SYNCHRONIZER ASSY	4304396 4304397 A - 5917	1	HI RANGE	K-3492,K-3494
3	20323	SLIDING CLUTCH		1		K-3494
4	A-7254	SYNCHRONIZER ASSEMBLY	A - 4937 A - 5876	1	LO RANGE	K-3492,K-3494
5	21365	NUT		1		K-3259,K-3260
6	17332	DOWEL PIN		1		K-3259,K-3260
7	21347	WASHER		1		K-3259,K-3260
8	21350	WASHER		1		K-3259,K-3260
9	21319	REDUCTION GEAR		1		
10	21352	BUSHING		2		A-5156,K-3233,K-3256,K-4092,K-4093
11	A-5156	MAINSHAFT ASSY	21351	1		
12	21652	PIN		2		K-3259,K-3260
13	21360	SLIDING CLUTCH		1		
14	4303359	MAINSHAFT		1		
15	21354	WASHER		1		K-3259,K-3260
16	21361	DEEP REDUCTION GEAR		1		
17	21358	WASHER		1		K-3259,K-3260
19	K-4122	HEX FLANGE CRIMPED NUT KIT	4302321,4306520	1		
20	5556503-BOX	BEARING	5556503	1		K-3233,K-3256,K-4092,K-4093





11321-09-03

**○ — IMPORTANT**  
**DUE TO DESIGN CHANGES, PLEASE VERIFY THE PART NUMBER ON THE COMPONENT TO ENSURE PROPER PART REPLACEMENT INFORMATION**

## MAINSHAFT ASSY

Item	Current Part	Description	Replaced Part	Qty.	Notes	Kits/Assys Where Needed
1	S-2688	MAINSHAFT ASSY	4303404 ,4303913	1		
2	62504	ROLL PIN		1		S-2688
3	4304614	3-SIDED KEY	4300890	1	USED IN OLD DESIGN TRANSMISSION - SEE IMPORTANT NOTE ON ILLUSTRATION	
3	4304615	3-SIDED KEY	4300120	1	USED IN LATEST DESIGN TRANSMISSION - SEE IMPORTANT NOTE ON ILLUSTRATION	
4	14750	SNAP RING		1		K-2468,K-3233,K-3256,K-3259,K-3260,K-4092,K-4093,K-4125
5	16756	REVERSE GEAR- MAINSHAFT		1		
6	14749	SPACER		1	USED IN OLD DESIGN TRANSMISSION - SEE IMPORTANT NOTE ON ILLUSTRATION	K-3260
6	4302047	SPACER		1	USED IN LATEST DESIGN	K-3259

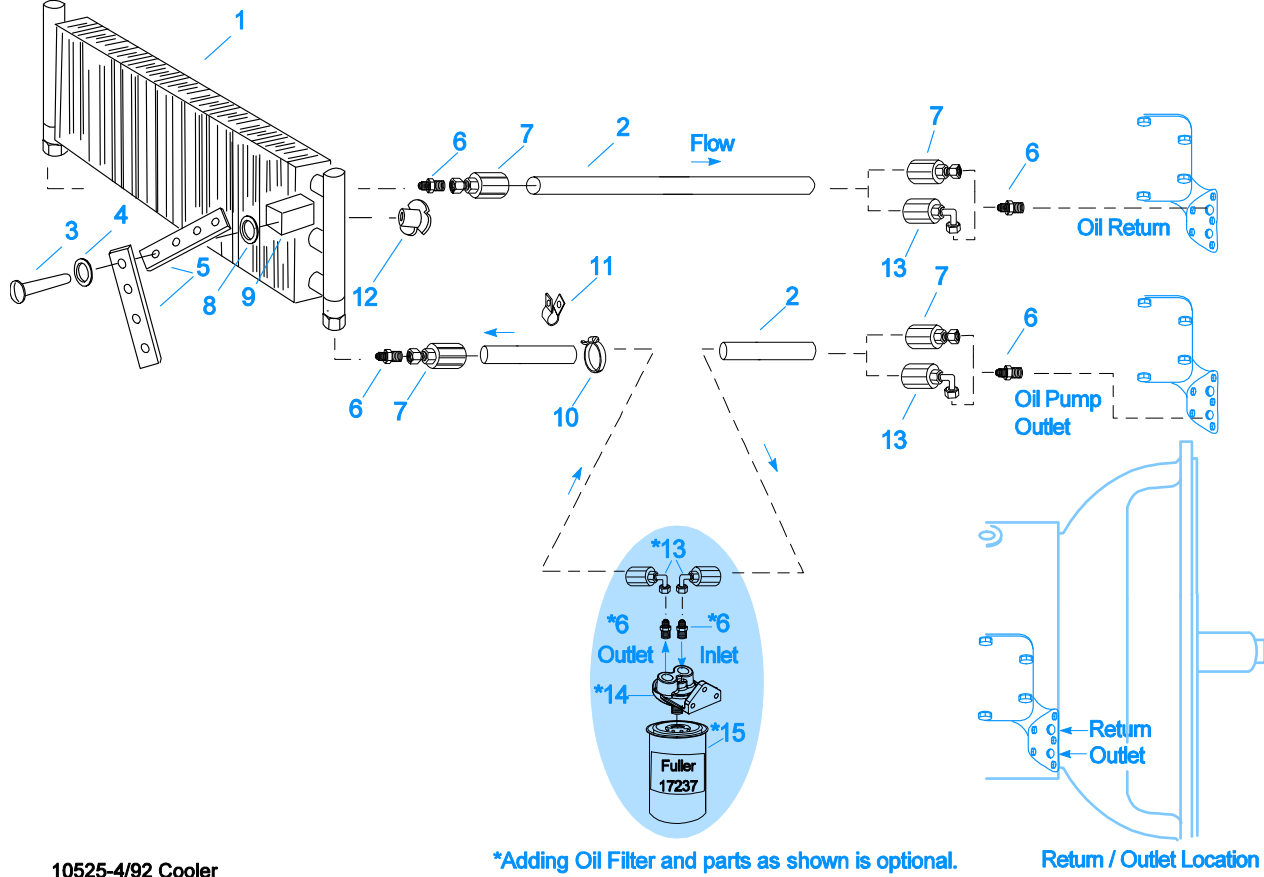


Item	Current Part	Description	Replaced Part	Qty.	Notes	Kits/Assys Where Needed
					TRANSMISSION - SEE IMPORTANT NOTE ON ILLUSTRATION	
7	4306648	SLIDING CLUTCH	16118	2		
8	4303409	LO GEAR-MAINSHAFT	4303407	1		
9	4303603	WASHER		2		
10	4303477	1ST GEAR-MAINSHAFT	4303414	1		
11	4302384	2ND GEAR-MAINSHAFT	4302385	1		
12	4305051	OD GEAR-MAINSHAFT	4302383	1		
13	4300830	WASHER .244-BLUE		1		
14	4302398	WASHER		4		
15	4306647	SLIDING CLUTCH	22026,4304317	1		K-4092,K-4093

## MISCELLANEOUS

Item	Current Part	Description	Replaced Part	Qty.	Notes	Kits/Assys Where Needed
20466		SHIFT DIAGRAM LABEL		1		
71203		SILICONE LUBE		1	8 OZ (236.59 CC)-FLEET SIZE	
71204		ADHESIVE SEALANT		1	0.5 CC (SINGLE APPLICATION SIZE)	
71205		SEALANT		1	2 CC (SINGLE APPLICATION SIZE)	K-4092,K-4093
71206		SILICONE LUBE		1	4 CC (SINGLE APPLICATION SIZE)	K-2054,K-2428,K-2429,K-2978

Group: OIL COOLER



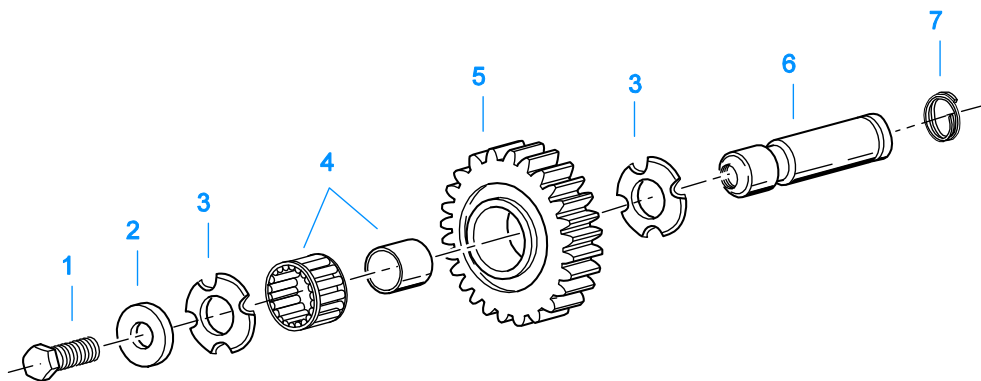
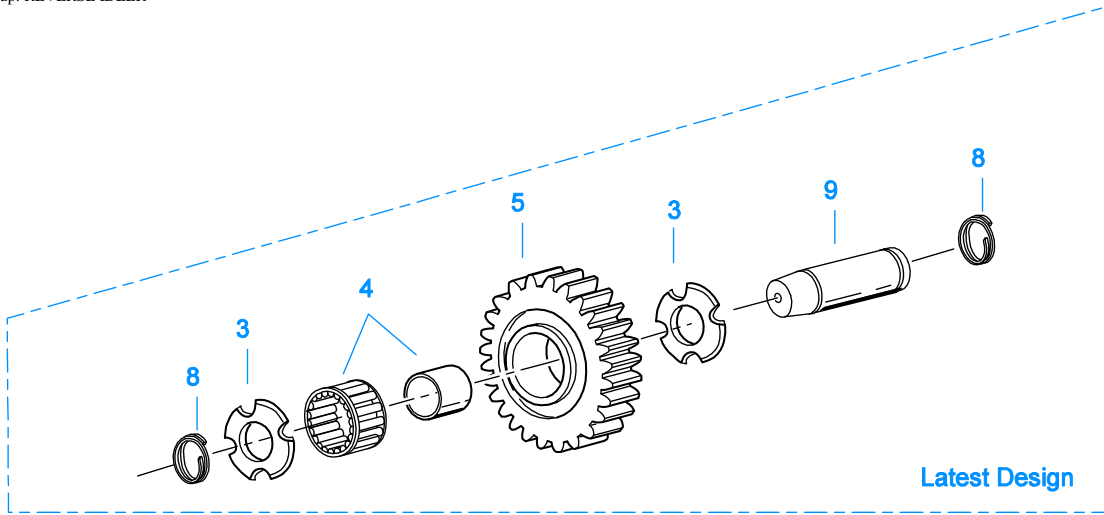
10525-4/92 Cooler

\*Adding Oil Filter and parts as shown is optional.

Return / Outlet Location

## OIL COOLER

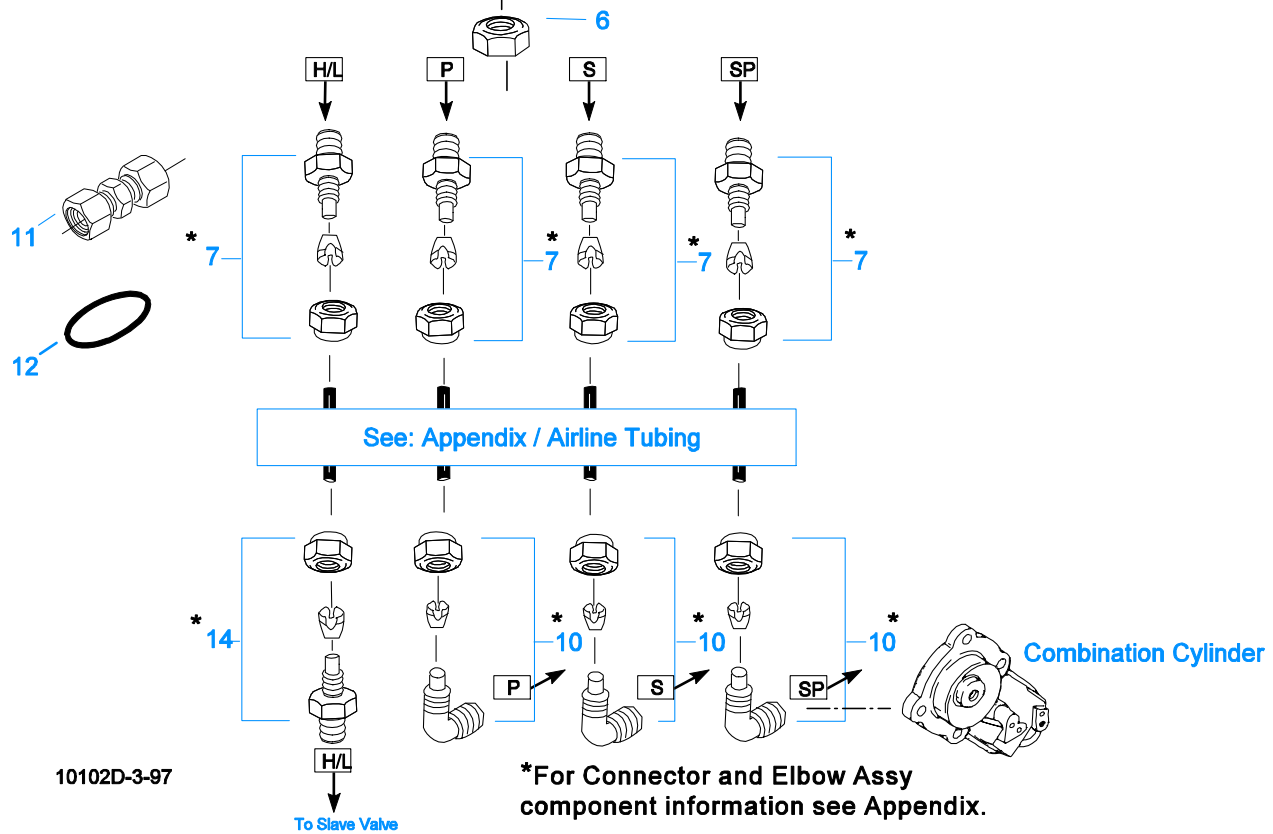
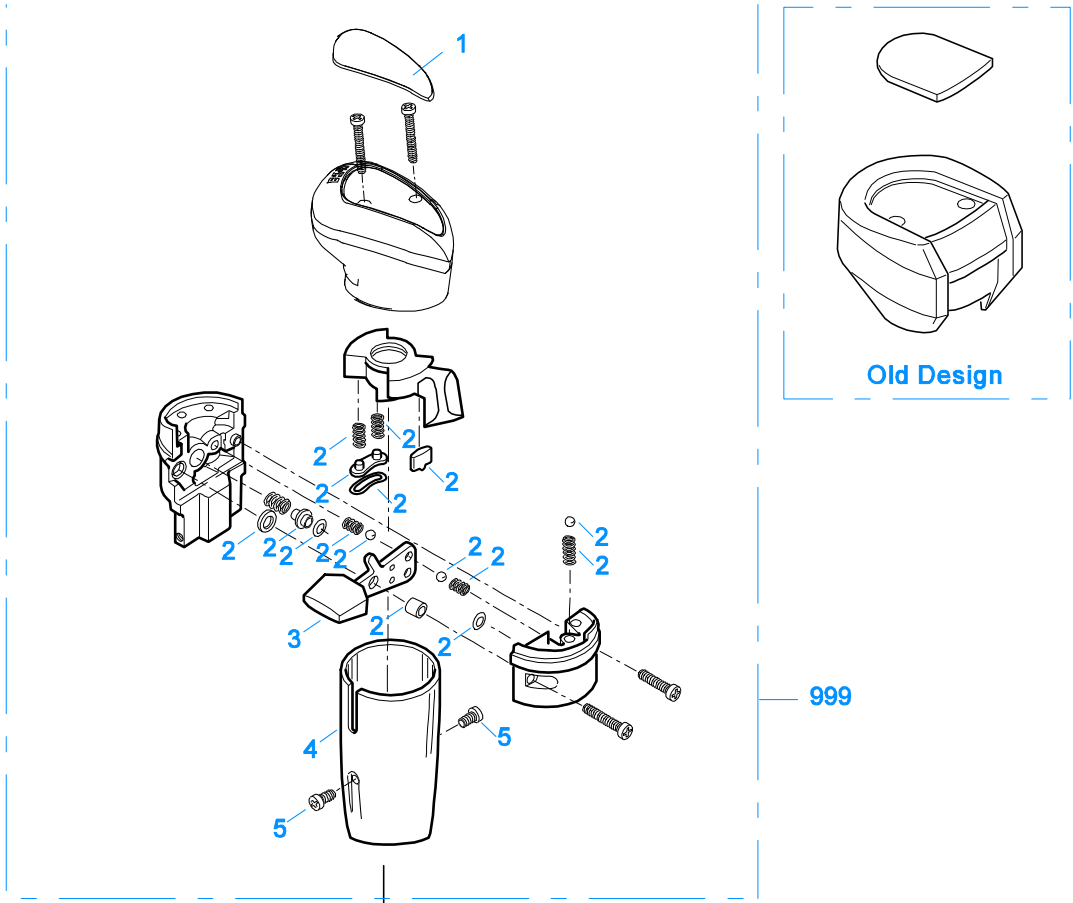
Item	Current Part	Description	Replaced Part	Qty.	Notes	Kits/Assys Where Needed
1	18025	OIL COOLER		1		K-1956
2	19424	HOSE		1	25 FEET	K-1956
3	X-8-535	CAPSCREW		2	5/16"-16X2-1/2"	
4	X-3-506	LOCKWASHER		2	5/16"	
5	18211	BRACKET		4		K-1956
6	19419	CONNECTOR		6		K-1956,S-1404
7	19415	SWIVEL		4		K-1956
8	X-10-501	WASHER		2	5/16"	
9	18209	PLUG-RUBBER MOUNT		2		K-1956
10	17190	STRAP		8		K-1956
11	19423	CLAMP		5		K-1956
12	18210	NUT		2		K-1956
13	19422	ELBOW		4		K-1956
14	S-1404	OIL FILTER	17238	1		
15	17237	FILTER ELEMENT		1		S-1404



11382-3-97 RI

**REVERSE IDLER**

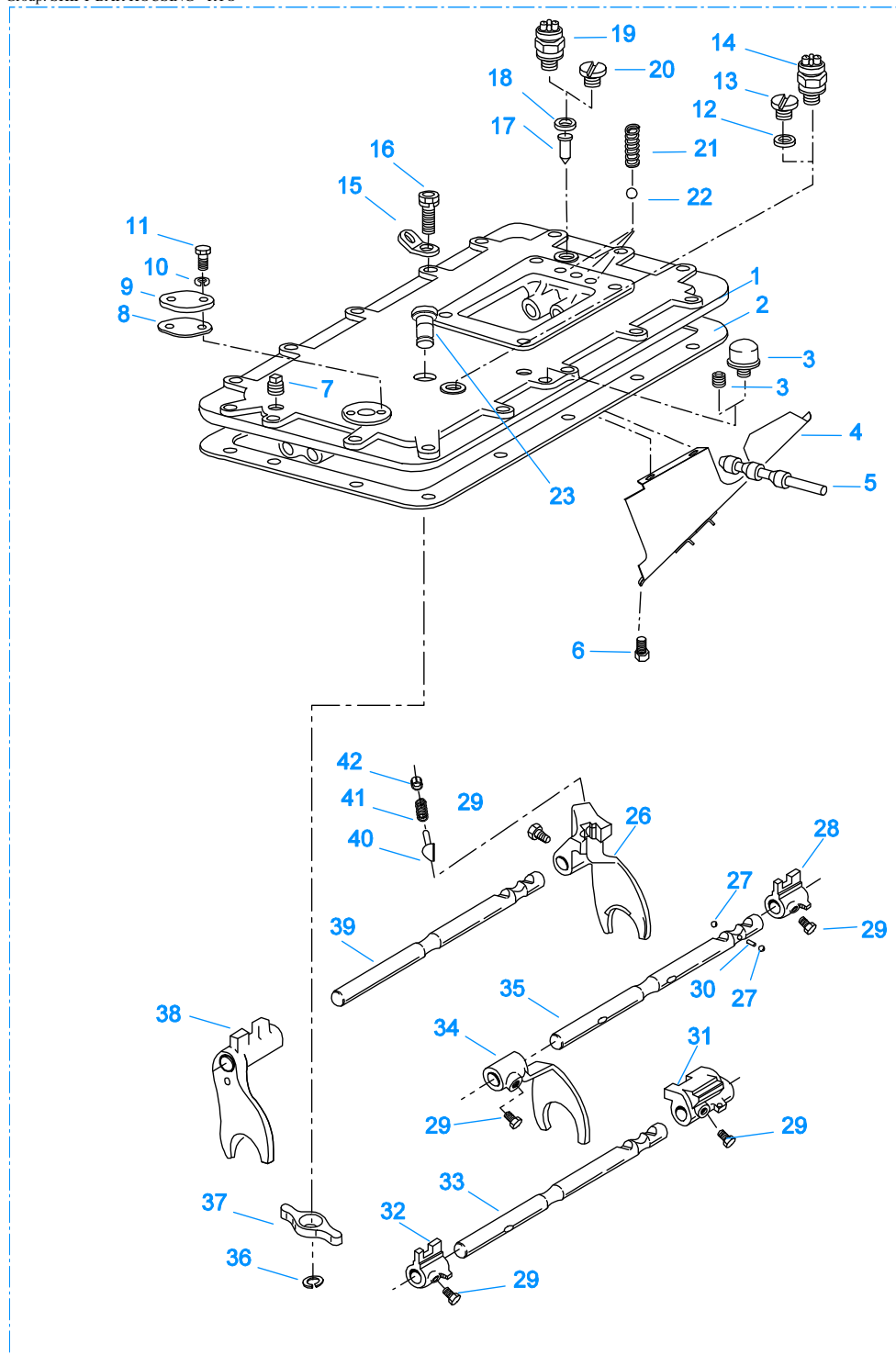
Item	Current Part	Description	Replaced Part	Qty.	Notes	Kits/Assys Where Needed
1	X-7-1008	CAPSCREW		2	5/8"-18X1-1/4	
2	14283	WASHER		2		
3	4302982	WASHER	14282	4		K-3209,S-1545,S-1549,S-2497
4	14287	BEARING	4305020	2		K-3233,K-3256,K-4092,K-4093
5	16757	REVERSE IDLER GEAR	22409	2		
6	K-3209	IDLER SHAFT REPL KIT	16405 ,4302981 ,4305513	2		
7	4303336	RETAINING RING		2		K-3209
8	4303336	RETAINING RING		4		K-3209
9	4305513	IDLER SHAFT		2		K-3209



10102D-3-97

## ROADRANGER VALVE

Item	Current Part	Description	Replaced Part	Qty.	Notes	Kits/Assys Where Needed
1	5586100	MEDALLION, LOGO		1	(LATEST DESIGN) FULLER LOGO ONLY	A-6915,A-7315
1	5586115	SHIFT DIAGRAM MEDALLION		1	RTO-W/SHIFT PATTERN	S-2581
2	K-3192	MASTER VALVE REPAIR KIT		1	FOR A-6915 VALVE	
2	K-3194	MASTER VALVE REPAIR KIT		1	FOR A-7315 VALVE	
3	20496	LEVER		1		A-6915,A-7315
4	20112	COVER		1		A-6915,A-7315
5	X-8-213	SCREW	X 8 202	2	8-32X3/8"	
6	X-9-802	NUT		1	1/2"-13	
7	84001	CONNECTOR ASSY	82501	4	1/8" TUBE-1/16" NPTF	
7	84003	CONNECTOR ASSY	82503	4	5/32" TUBE-1/16" NPTF	
7	84005	CONNECTOR ASSY		4	"PUSH-TO-CONNECT" 5/32" TUBE-1/16" NPTF	S-2581
10	85001	ELBOW ASSY	84501	3	5/32" TUBE-1/8" NPTF	K-4092,K-4093
10	85002	ELBOW ASSY	84502	3	1/8" TUBE-1/8" NPTF	
10	85003	ELBOW ASSY		3	"PUSH-TO-CONNECT" 5/32" TUBE-1/8" NPTF	
11	84101	UNION ASSY		1	1/8" TUBING	
11	84102	UNION ASSY		1	5/32" TUBING	
11	84103	UNION ASSY		1	"PUSH-TO-CONNECT" 5/32" TUBING	
12	13571	-O- RING CLAMP		2		
14	84002	CONNECTOR ASSY	82502	1	1/8" TUBE-1/8" NPTF	
14	84004	CONNECTOR ASSY	82504	1	5/32" TUBE-1/8" NPTF	K-4092,K-4093
14	84006	CONNECTOR ASSY		1	"PUSH-TO-CONNECT" 5/32" TUBE-1/8" NPTF	
999	A-6915	ROADRANGER VALVE ASSY	A - 5015	1	STANDARD-W/LOGO	
999	A-7315	ROADRANGER VALVE ASSY	A - 5315	1	(LEFT OF DRIVER)-W/LOGO	
999	S-2581	ROADRANGER VALVE ASSY		1	RTO-W/SHIFT PATTERN	



999

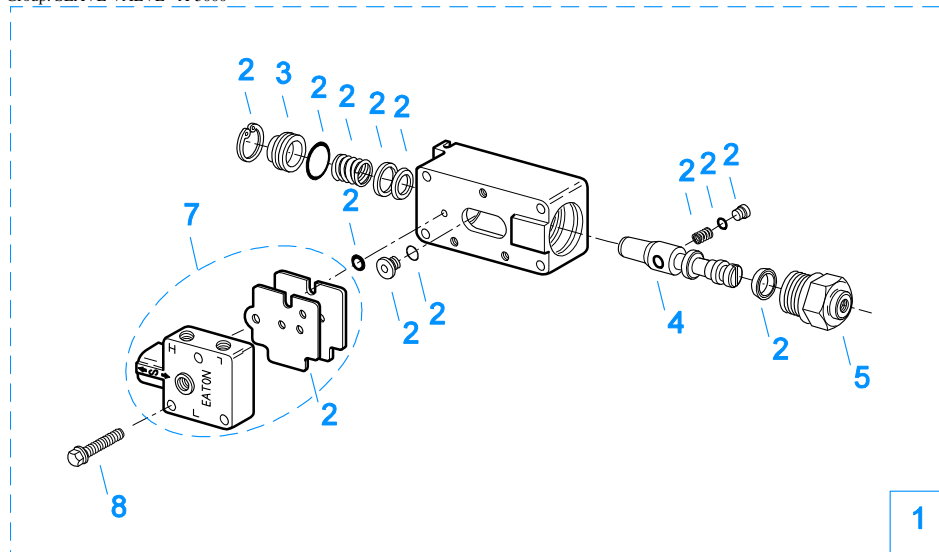
10244-11-96 X-Bar

### SHIFT BAR HOUSING - RTO

Item	Current Part	Description	Replaced Part	Qty.	Notes	Kits/Assys Where Needed
1	S-1445	SHIFT BAR HSG - RTO	20215 ,21135 ,4302452	1	HOUSING ONLY (X)	
2	4302676	GASKET	14918	1		K-2061,S-1527,S-1528
3	4304602	BREATHER	23605	1	1/4" NPT	
3	X-12-404	PIPE PLUG		1	1/4" NPT	
4	20070	OIL TROUGH		1		S-1527,S-1528
5	20332	AIR VALVE SHAFT	17177	1		S-1527,S-1528
6	X-8-423	CAPSCREW		2	1/4"-20X1/2"	

Item	Current Part	Description	Replaced Part	Qty.	Notes	Kits/Assys Where Needed
7	X-12-603	PIPE PLUG	X12 602	1	3/8" NPT	
8	20209	GASKET		1		K-2061,S-1445,S-1446,S-1527,S-1528
9	20199	PLATE	18724	1		S-1445,S-1446,S-1527,S-1528
10	X-3-400	LOCKWASHER		2	1/4"	
11	X-8-406	CAPSCREW		2	1/4"-20X3/4"	
12	17179	GASKET		1		S-1445,S-1446,S-1527,S-1528
13	4303655	PLUG	17178	1		S-1445,S-1446,S-1527,S-1528
14	22941	NEUTRAL LIGHT SWITCH	12639	1	SWITCH NORMALLY CLOSED	
15	20815	LIFTING EYE	17105	2		S-2712
16	X-8L-602	CAPSCREW		2	3/8"-16X1-1/2" USE W/20815 LIFTING EYES	
16	X-8L-604	CAPSCREW		16	3/8"-16X1-1/4"- OR USE 14 PCS OF X-8L-604 WITH 2 PCS OF X-8L-602	
17	15899	PIN		1		S-1445,S-1446,S-1527,S-1528
18	15900	GASKET		1		S-1445,S-1446,S-1527,S-1528
19	22940	REVERSE LIGHT SWITCH	16830	1	SWITCH NORMALLY OPEN	
20	4303656	PLUG	15917	1		S-1445,S-1446,S-1527,S-1528
21	15918	SPRING		3		K-3259,K-3260,K-4092,K-4093,S-1527,S-1528
22	X-14-800	STEEL BALL		3	1/2"	
23	K-3104	ACTUATOR PIN KIT	4303287	1		
26	16131	SHIFT YOKE		1	REVERSE/LO	S-1219,S-1527
27	X-14-1200	STEEL BALL		2	3/4"	
28	14658	SHIFT BLOCK		1	1ST/2ND	S-1527
29	3220	LOCKSCREW		5		S-1527,S-1528
30	1634	INTERLOCK PIN		1		K-3259,K-3260,S-1527,S-1528
31	19063	SHIFT BLOCK		1	3RD/OD	S-1527
32	20120	SHIFT BLOCK	18924	1	3RD/OD	S-1527,S-1528
33	18928	YOKE BAR	4302760	1	3RD/OD	S-1527
34	18922	SHIFT YOKE		1	1ST/2ND	S-1527,S-1528
35	18927	YOKE BAR		1	1ST/2ND	S-1527
36	4302070	SNAP RING		1		K-3104,S-1527,S-1528
37	4303225	ACTUATOR		1		S-1527,S-1528
38	4305575	SHIFT YOKE	20450	1	3RD/OD	S-1527,S-1528
39	18926	YOKE BAR		1	REVERSE/LO	S-1527
40	10019	PLUNGER		1		S-1219,S-1527,S-1528
41	6392	SPRING		1		S-1219,S-1527,S-1528
42	8968	PLUG		1		S-1219,S-1527,S-1528
999	S-1527	SHIFT BAR HSG ASSY - RTO	20215 ,21135 ,4302452	1	COMPLETE	





**2** Repair Kit

10120-10-97 A-5000 SV

### SLAVE VALVE - A-5000

Item	Current Part	Description	Replaced Part	Qty.	Notes	Kits/Assys Where Needed
1	A-5000	SLAVE VALVE ASSY	20850	1		
2	K-1935	REPAIR KIT-SLAVE VALVE		1	FOR A-5000 VALVE	
3	20855	PLUG		1		A-5000
4	20854	PISTON		1		A-5000
5	20849	CAP	15131	1		A-5000
7	S-1516	CAP ASSY	20851 ,20853	1		
8	X-8C-413	CAPSCREW		3	1/4"-20X1-1/2"	

