



## **Eaton Fuller RTO-14910C-AS3 Transmission Parts Manual**

This is Eaton Fuller RTO-14910C-AS3 Transmission parts manual brought to you by Pro Gear and Transmission to assist you identifying the parts for your Eaton / Fuller transmission unit.

If you need any assistance identifying the correct Eaton / Fuller unit for your truck and equipment, contact your Eaton replacement parts specialists at Pro Gear and Transmission.

Pro Gear stocks every part for your Eaton transmission including: Valve Assemblies, Synchronizers, Yoke Assemblies, O-Ring Kits, Drive Gears, Gaskets, Bearing and Seal Kits, and much more.

Pro Gear and Transmission has same day shipping and thousands of products in stock and ready to ship internationally for your next project.

For parts or service contact the Eaton transmission specialists at Pro Gear & Transmission, Inc.

 CALL US

 EMAIL US

 VISIT MODEL PAGE

 VISIT ONLINE STORE



**Roadranger®**

More time on the road®

# Illustrated Parts List

---

**RTO-14910C-AS3**  
**July 2011**

## Contents

|   |    |
|---|----|
| How To Use The Illustrated Parts List ..... | 3  |
| AUXILIARY DRIVE GEAR.....                   | 4  |
| CASE (AUX) .....                            | 5  |
| CASE (FRONT) .....                          | 7  |
| CONTROLLER ECU & HARNESS.....               | 9  |
| COUNTERSHAFT & BRGS (AUX).....              | 10 |
| COUNTERSHAFT ASSY .....                     | 11 |
| FILTER REGULATOR.....                       | 12 |
| HARNESS MOUNTING BRACKETS .....             | 13 |
| INPUT SHAFT & DRIVE GEAR .....              | 14 |
| INTEGRAL OIL PUMP .....                     | 15 |
| KITS & ASSEMBLIES .....                     | 17 |
| MAINSHAFT & SYNCHRO(AUX).....               | 18 |
| MAINSHAFT ASSY.....                         | 19 |
| MISCELLANEOUS .....                         | 20 |
| OIL COOLER.....                             | 21 |
| RANGE CYLINDER.....                         | 22 |
| REVERSE IDLER.....                          | 23 |
| SHIFT BAR HOUSING .....                     | 25 |
| SHIFT CONTROLS .....                        | 26 |
| X-Y SHIFTER MODULE.....                     | 27 |

## How To Use The Illustrated Parts List

The information contained in this document is subject to frequent updates. Therefore, for the latest information available, please visit the interactive Electronic Parts Catalog at [www.roadranger.com/epc](http://www.roadranger.com/epc).

### Model Designation or Nomenclature

- For information regarding Model Designation and Nomenclature, visit [www.roadranger.com](http://www.roadranger.com).

### Kits and Assemblies (K/A's)

- Kits and Assemblies contain groups of individual or assembled parts developed for optimal replacement or repair of a service problem.
- Kits and Assemblies are shown with applicable parts groupings in the parts listings.

### Identifying Kits and Assemblies

A- Part numbers beginning with the letter 'A' are pre-assembled Production Assemblies

K- Part numbers beginning with the letter 'K' are kits that are not assembled

S- Part numbers beginning with the letter 'S' are pre-assembled Service Assemblies

- Note: Some Production Assemblies do not begin with a letter prefix (Midrange only).

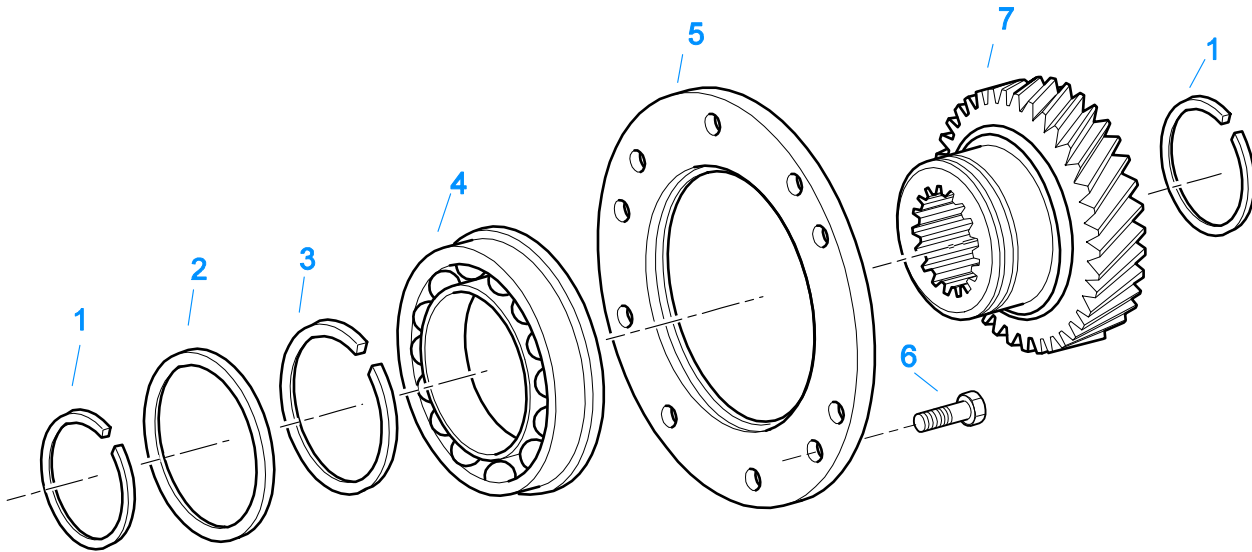
### Illustrations

- Illustrations show parts in assembly groups.
- Item numbers on illustrations correspond with parts listings on pages adjacent to the illustration.
- Notes are included on illustrations where additional information is needed.

### Parts Listing

Parts listings are defined by parts groupings and are broken down by service assemblies. Parts listings identify a part for servicing with the following categories

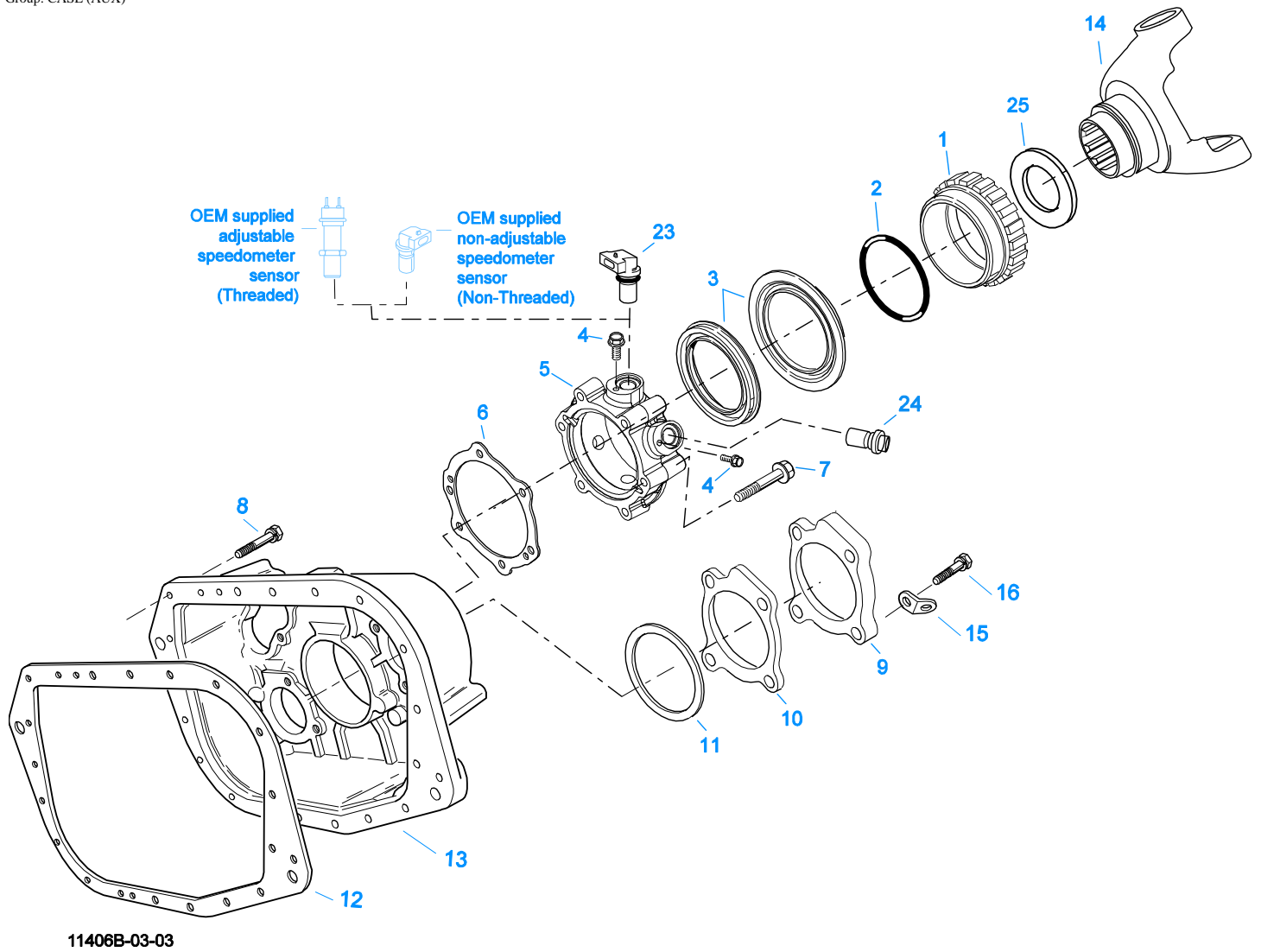
- **Item Number** - corresponding with numbers on illustrations for part identification.
- **Current Part** - identifies part as it is available for service.
- **Description** - specifies part name or description.
- **Replaced Part** - quantity quantity required for assembly.
- **Quantity** - defines unique characteristics or requirements.
- **Notes** - indicates Kits or Assemblies that contain a particular part.
- **Kits/Assy's Where Used**



10480-12/92 Aux DG

## AUXILIARY DRIVE GEAR

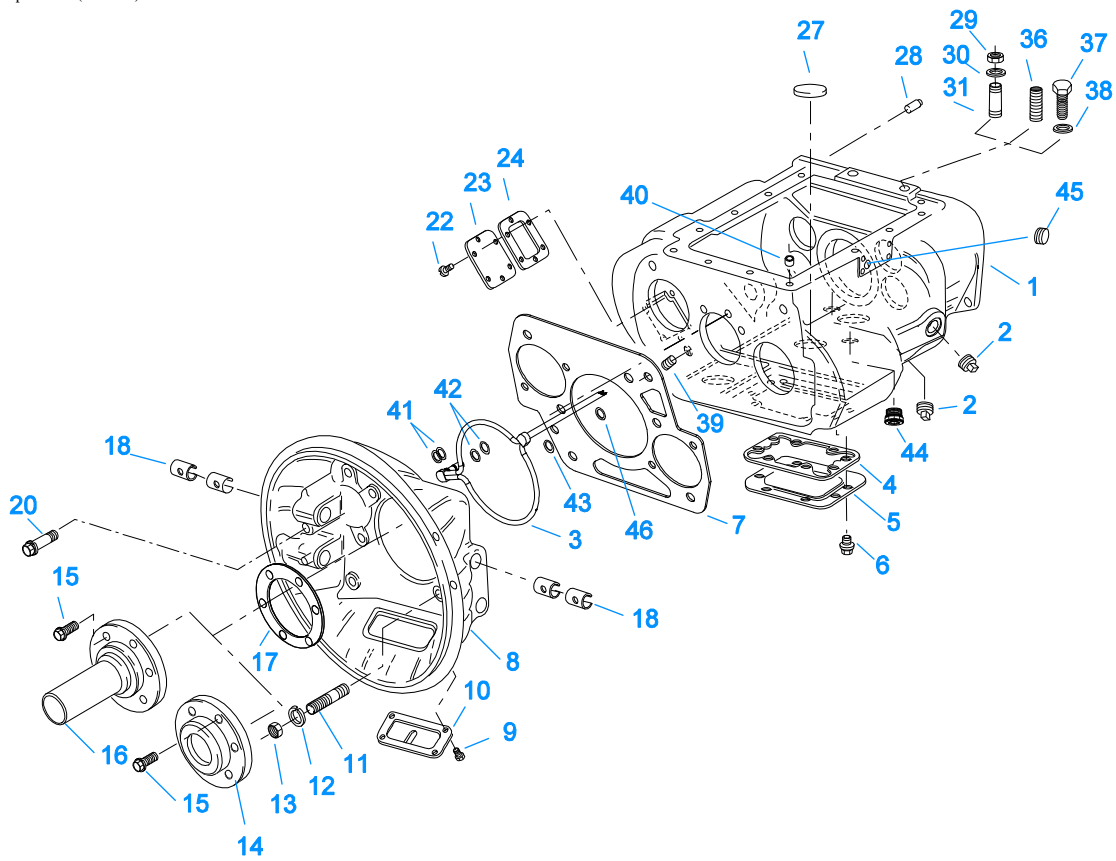
| Item | Current Part | Description          | Replaced Part   | Qty. | Notes      | Kits/Assys Where Needed |
|------|--------------|----------------------|-----------------|------|------------|-------------------------|
| 1    | 16763        | SNAP RING            |                 | 2    |            | K-3519,K-3522           |
| 2    | 21320        | SNAP RING RETAINER   |                 | 1    |            | K-3519,K-3522           |
| 3    | 16628        | SNAP RING            |                 | 1    |            |                         |
| 4    | 5566507-BOX  | BEARING              | 5566504,5566507 | 1    |            | K-3519,K-3522           |
| 5    | 16138        | BEARING RETAINER     |                 | 1    |            |                         |
| 6    | X-8-645      | CAPSCREW             | X 8 612         | 6    | 3/8"-16X1" |                         |
| 7    | 23159        | AUXILIARY DRIVE GEAR | 21321           | 1    |            |                         |



**CASE (AUX)**

| Item | Current Part | Description        | Replaced Part   | Qty. | Notes                | Kits/Assys Where Needed |
|------|--------------|--------------------|-----------------|------|----------------------|-------------------------|
| 1    | S-2501       | SPEEDO ROTOR ASSY  | 4302242         | 1    | MAGNETIC             |                         |
| 2    | 5568511      | -O- RING           |                 | 1    |                      | K-2918,S-2501,S-2913    |
| 3    | K-2918       | OIL SEAL KIT       | 4302322 4302323 | 1    | "FOR MAGNETIC COVER" | K-3519,K-3522           |
| 4    | X-8-0801M    | CAPSCREW           |                 | 3    | M8 X 1.25 X 12MM     |                         |
| 5    | S-2913       | REAR BEARING COVER | 691637 ,4304651 | 1    |                      |                         |

| Item | Current Part | Description                         | Replaced Part      | Qty. | Notes   | Kits/Assys Where Needed |
|------|--------------|-------------------------------------|--------------------|------|---|-------------------------|
| 6    | 1009551      | ASSY<br>GASKET - RED EDGE<br>MOLDED | ,4305833           | 1    | RED EDGE MOLDED GASKET -<br>UNCOMPRESSED THICKNESS .043 -<br>.051 - NOT INTERCHANGEABLE<br>WITH ANY OTHER GASKET  | K-2918,K-3518,S-2913    |
| 6    | 4302247      | GASKET - PURPLE EDGE<br>MOLDED      |                    | 1    | NON EDGE MOLDED GASKET -<br>UNCOMPRESSED THICKNESS - .013<br>- .018 - NOT INTERCHANGABLE<br>WITH ANY OTHER GASKET | K-2918,K-3518           |
| 7    | X-8L-611     | CAPSCREW                            |                    | 4    | 3/8"-16X3-1/4"  |                         |
| 7    | X-8L-614     | CAPSCREW                            |                    | 2    | 3/8"-16X2"  |                         |
| 8    | X-8L-602     | CAPSCREW                            |                    | 16   | 3/8"-16X1-1/2"  |                         |
| 8    | X-8L-614     | CAPSCREW                            |                    | 2    | 3/8"-16X2"  |                         |
| 8    | X-8L-616     | CAPSCREW                            | X 8 616            | 1    | 3/8"-16X2-3/4"  |                         |
| 9    | 4302320      | COVER                               | 21346              | 2    |   |                         |
| 10   | 4305978      | GASKET                              | 4302246            | 2    |   | K-3518                  |
| 11   | K-2805       | SHIM KIT                            | 21452 K - 2106     | 1    |   | K-3519,K-3522           |
| 12   | 14335        | GASKET                              |                    | 1    |   | K-3518                  |
| 13   | 4305046      | REAR HOUSING                        |                    | 1    |   |                         |
| 14   | 5505543      | YOKE-1710 HALF ROUND                |                    | 1    |   |                         |
| 15   | 20815        | LIFTING EYE                         | 17105              | 2    |   |                         |
| 16   | X-8L-600     | CAPSCREW                            |                    | 8    | 3/8"-16X1"  |                         |
| 23   | K-3231       | SPEED SENSOR KIT                    | A - 6398 ,A - 6724 | 1    | SINGLE PICK-UP (2 PIN)  |                         |
| 24   | K-3523       | SPEEDO PLUG KIT                     | 4302707            | 2    |   |                         |
| 25   | 4304653      | SHIELD                              |                    | 1    |   | S-2913                  |



10319E-05-06

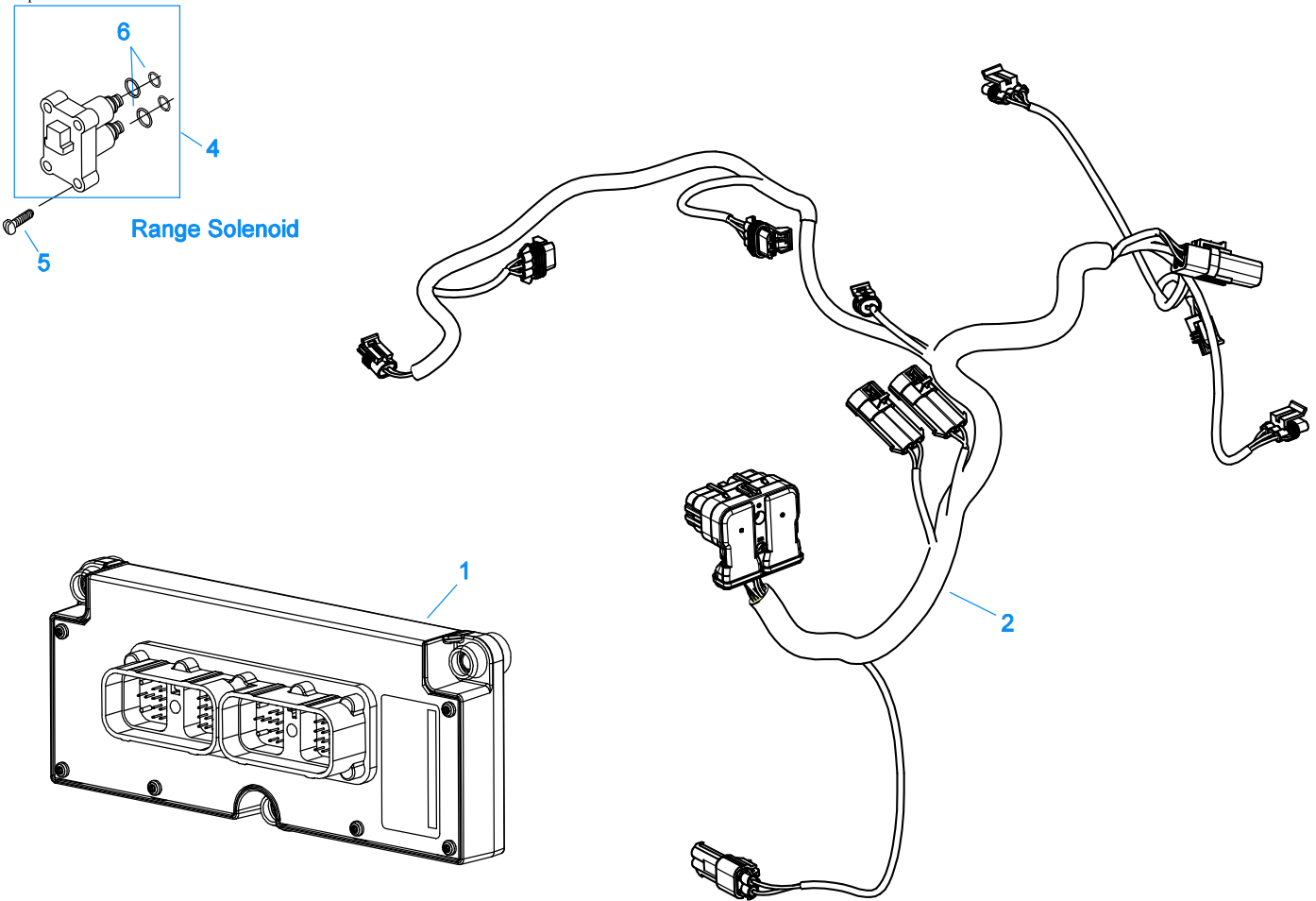
**CASE (FRONT)**

| Item | Current Part | Description                | Replaced Part                | Qty. | Notes                                    | Kits/Assys Where Needed |
|------|--------------|----------------------------|------------------------------|------|--|-------------------------|
| 1    | S-3017       | CASE ASSEMBLY              |                              | 1    |  |                         |
| 2    | 4304023      | PLUG                       | 4303747                      | 2    | 1-1/16" MAGNETIC, O-RING INCLUDED        |                         |
| 3    | A-7471       | EXTENDED LUBE TUBE ASSY    | 4305393                      | 1    |  |                         |
| 4    | 4305310      | GASKET                     | 4302810                      | 1    |  | K-3518                  |
| 5    | 4302809      | PTO COVER                  | 16596,4300571                | 1    |  |                         |
| 6    | X-8-725      | CAPSCREW                   | X 8 724                      | 8    | 7/16"-14X7/8"                            |                         |
| 7    | 4306584      | CLUTCH HOUSING GASKET      | 4304815,4305668              | 1    |  | K-3518,K-3671,K-4051    |
| 8    | K-3671       | FORCED LUBE CL HSG KIT     | A - 7148                     | 1    | #1 PULL IRON                             |                         |
| 9    | 239614       | SCREW                      | X-8L-509                     | 4    | 5/16-18X.81 QUANTITY DEPENDENT ON DESIGN |                         |
| 10   | 4305230      | HAND HOLE COVER            | 11453                        | 1    | #1 PULL                                  |                         |
| 11   | 4306583      | STUD                       | 5966                         | 6    |  |                         |
| 12   | X-10-1005    | WASHER                     | X 3 1000 ,X10 1000 ,X10 1004 | 6    | 1.23 X 6.60                              | K-4051                  |
| 13   | X-1-1012     | HEX NUT                    | X-1-1005                     | 6    | .625-18                                  | K-4051                  |
| 14   | 20550        | FRONT BEARING COVER        |                              | 1    | 2" PULL                                  |                         |
| 15   | X-8L-604     | CAPSCREW                   |                              | 6    | 3/8"-16X1-1/4"                           |                         |
| 16   | 20549        | FRONT BEARING COVER        |                              | 1    | 2" PUSH                                  |                         |
| 17   | 14311        | GASKET                     |                              | 1    |  | K-3518                  |
| 18   | 12815        | BUSHING                    |                              | 4    |  |                         |
| 20   | X-8C-830     | HEX HEAD SCREW/WASHER ASSY | X-8C-826                     | 4    | .500-13 X 1.490                          | K-4051                  |
| 20   | X-8C-831     | HEX HEAD SCREW/WASHER ASSY | X-8C-822                     | 2    | .500-13 X 3.460                          | K-4051                  |
| 22   | X-8-686      | CAPSCREW                   |                              | 6    | 3/8"-16X3/4"                             |                         |
| 23   | 14575        | PTO COVER                  | 4302254                      | 1    |  |                         |
| 24   | 4305309      | GASKET                     | 1684                         | 1    |  | K-3518                  |
| 27   | 14373        | MAGNET                     |                              | 3    |  | S-3017                  |



| Item | Current Part | Description   | Replaced Part                   | Qty. | Notes          | Kits/Assys Where Needed |
|------|--------------|---------------|---------------------------------|------|----------------|-------------------------|
| 28   | 18128        | PIN           |                                 | 2    |                |                         |
| 29   | X-1-1012     | HEX NUT       |                                 | 2    | .625-18        | K-4051                  |
| 30   | X-10-1005    | WASHER        | X 3 1000 ,X10 1000<br>,X10 1004 | 2    | 1.23 X 6.60    | K-4051                  |
| 31   | 14554        | STUD          | 1632 ,6579                      | 2    | 5/8" X 2-3/16" |                         |
| 36   | 23104        | PLUG          | 1712                            | 2    |                |                         |
| 37   | X-8-1005     | CAPSCREW      |                                 | 2    | 5/8"-11X1-1/4" |                         |
| 38   | 20814        | SPACER        |                                 | 2    |                |                         |
| 39   | X-12-802     | PIPE PLUG     | X12 800                         | 1    | 1/2"           |                         |
| 40   | 691447       | PIN           |                                 | 1    |                | S-3017                  |
| 41   | 13835        | -O- RING      |                                 | 2    |                |                         |
| 42   | 13653        | -O- RING      |                                 | 2    |                | K-2908                  |
| 43   | 5568544      | -O- RING      |                                 | 1    |                |                         |
| 44   | 4305740      | HEX HEAD PLUG |                                 | 1    |                |                         |
| 45   | X-12-1212    | PIPE PLUG     |                                 | 1    |                |                         |
| 46   | 13834        | -O- RING      |                                 | 1    |                |                         |

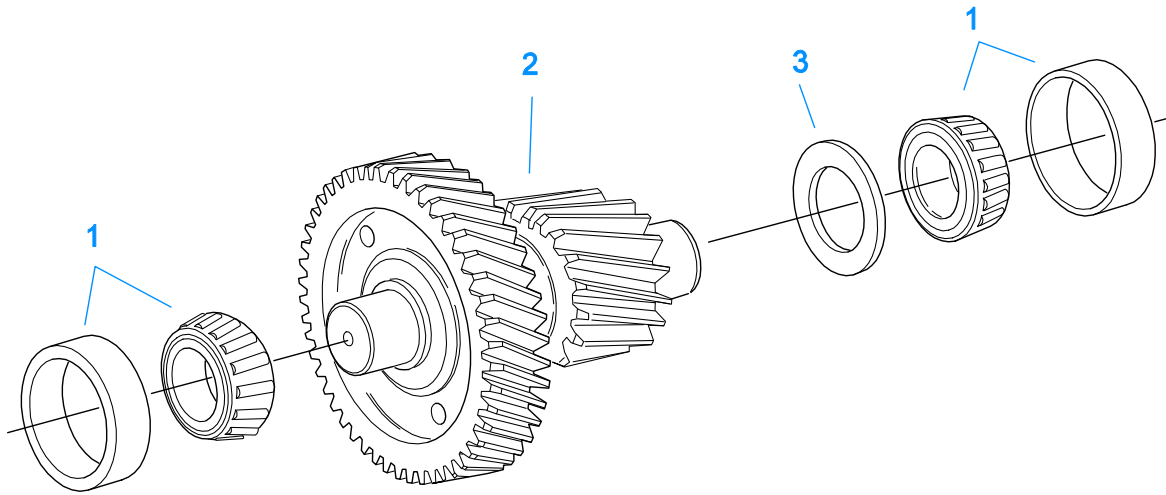
Group: CONTROLLER ECU & HARNESS



20322-10-05

### CONTROLLER ECU & HARNESS

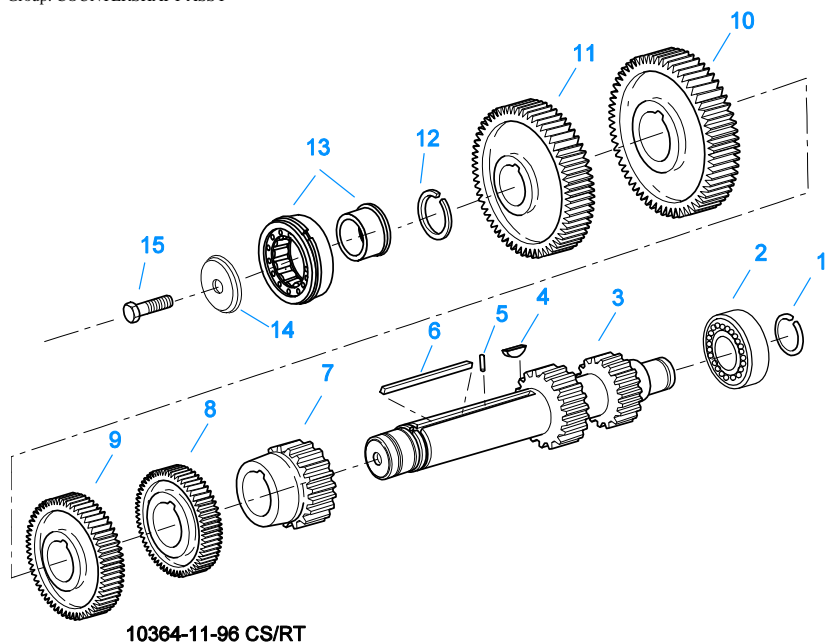
| Item | Current Part | Description                     | Replaced Part              | Qty. | Notes              | Kits/Assys Where Needed |
|------|--------------|---------------------------------|----------------------------|------|--------------------|-------------------------|
| 1    | K-3717RX     | REMAN EXCH TRANS CONTROLLER KIT | K-3717                     | 1    |                    |                         |
| 2    | K-3681       | TRANS HARNESS KIT               | 4305915                    | 1    |                    |                         |
| 4    | K-3682       | RANGE/SPLITTER VALVE KIT        | 5561801 ,5561804 ,K - 2907 | 1    |                    |                         |
| 5    | X-8-264      | HEX FLANGE HEAD SCREW           | X 8 259                    | 4    | #10-24 X 1 1/4     |                         |
| 6    | K-2908       | -O- RING KIT                    |                            | 1    | FOR SOLENOID VALVE |                         |



10440-1/92 Aux CS Helical

### COUNTERSHAFT & BRGS (AUX)

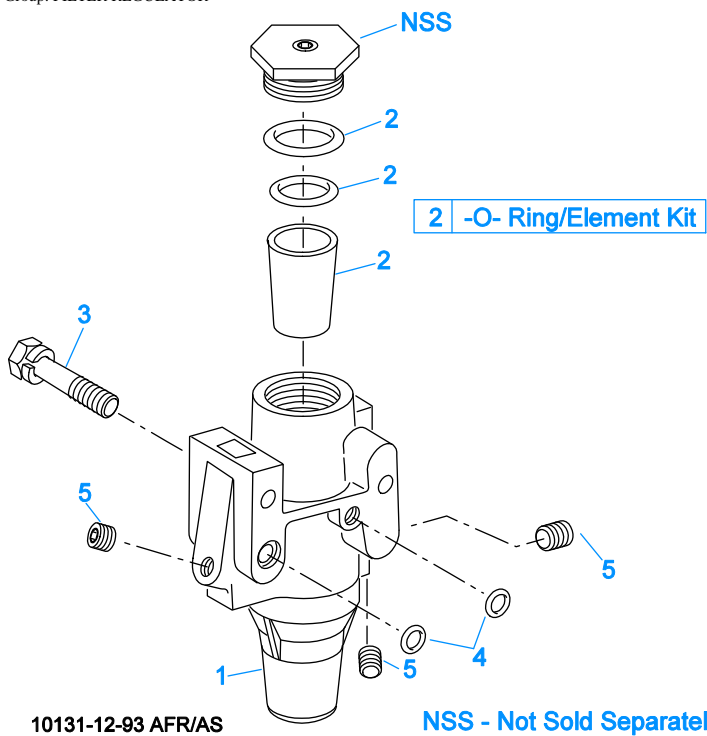
| Item | Current Part | Description              | Replaced Part | Qty. | Notes                   | Kits/Assys Where Needed |
|------|--------------|--------------------------|---------------|------|-------------------------|-------------------------|
| 1    | 4302074-BOX  | BEARING                  | 21343,4302074 | 4    |                         | K-3519,K-3522           |
| 2    | A-6339       | WELDED COUNTERSHAFT ASSY | A - 6073      | 2    | C/S 4302091 - D/G 23160 |                         |
| 3    | 21342        | SPACER                   |               | 2    |                         |                         |



## COUNTERSHAFT ASSY

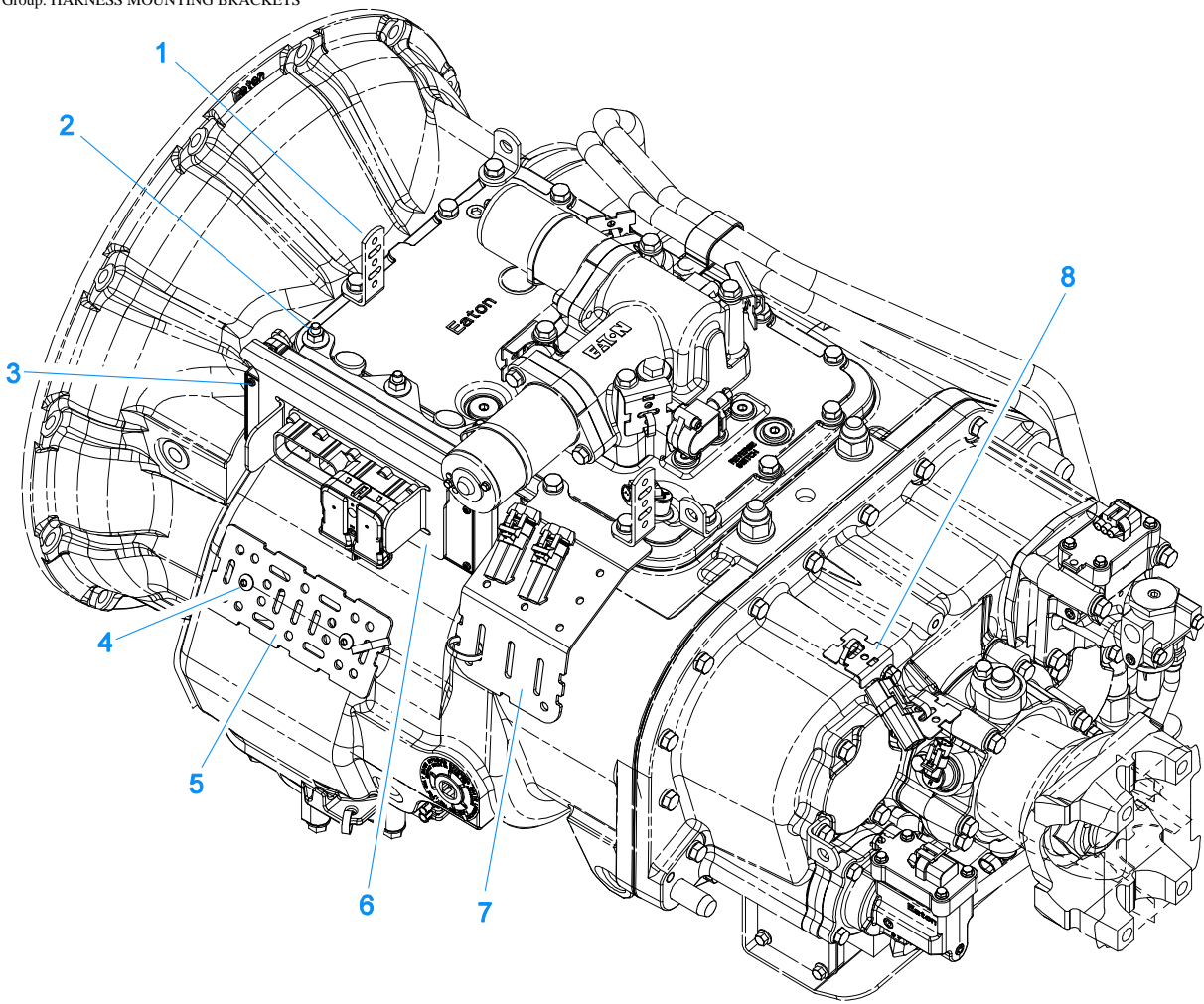
| Item | Current Part | Description          | Replaced Part              | Qty. | Notes                       | Kits/Assys Where Needed |
|------|--------------|----------------------|----------------------------|------|-----------------------------|-------------------------|
| 1    | 14317        | SNAP RING            |                            | 2    |                             | K-3519,K-3522           |
| 2    | 14366        | BEARING              |                            | 2    |                             | K-3519,K-3522           |
| 3    | K-2942       | CNTRSHFT-W/REV & 1ST | 4301224 ,4301225           | 2    |                             |                         |
| 4    | X-6-E        | KEY                  |                            | 2    |                             |                         |
| 5    | 62511        | ROLL PIN             |                            | 2    |                             |                         |
| 6    | 4304840      | KEY                  | 19673                      | 2    |                             |                         |
| 7    | 20382        | 2ND GEAR-MAINSHAFT   | 19269 ,4302103<br>,4303512 | 2    |                             |                         |
| 8    | 21264        | 3RD GEAR-CNTRSHFT    | 19623                      | 2    |                             |                         |
| 9    | 4300191      | OD GEAR-CNTRSHFT     | 4305666                    | 2    |                             |                         |
| 10   | 15953        | PTO GEAR - LOWER     |                            | 1    |                             |                         |
| 10   | 20840        | PTO GEAR - UPPER     | 15952                      | 1    |                             |                         |
| 11   | 4305665      | DRIVE GEAR-CNTRSHFT  | 21018,4305069              | 2    |                             |                         |
| 12   | 19198        | SNAP RING            |                            | 2    |                             |                         |
| 13   | 4304599      | BEARING              | 4302677 4304598            | 2    |                             | K-3519,K-3522           |
| 14   | 4304605      | RETAINER             | 19548                      | 2    | ROLL PIN NO LONGER REQUIRED |                         |
| 15   | X-7-1005     | CAPSCREW             |                            | 2    | 5/8"-18X1-3/4"              |                         |

Group: FILTER REGULATOR



## FILTER REGULATOR

| Item | Current Part | Description          | Replaced Part | Qty. | Notes                | Kits/Assys Where Needed |
|------|--------------|----------------------|---------------|------|----------------------|-------------------------|
| 1    | K-2170       | FILTER REG KIT       | A - 5454      | 1    |                      |                         |
| 2    | K-1698       | -O- RING/ELEMENT KIT |               | 1    | FOR FILTER REGULATOR |                         |
| 3    | X-8C-412     | CAPSCREW             | X 8S 412      | 2    | 1/4"-20X2-1/4"       |                         |
| 4    | 15114        | -O- RING             |               | 2    |                      | K-2170,K-3365,K-3484    |
| 5    | X-12-208     | PIPE PLUG            |               | 3    | 1/8" NPT             |                         |



20323-07-06

## HARNESS MOUNTING BRACKETS

| Item | Current Part | Description                   | Replaced Part | Qty. | Notes      | Kits/Assys Where Needed |
|------|--------------|-------------------------------|---------------|------|------------|-------------------------|
| 1    | 4305801      | STRAIN RELIEF BRACKET         |               | 1    |            |                         |
| 2    | 4305870      | NUT ASSEMBLY                  |               | 3    | 5/16-18    | K-3734                  |
| 3    | 4305919      | NUT ASSEMBLY                  |               | 3    | (1/4-20)   | K-3734                  |
| 4    | X-8-561      | BUTTON HEAD SCREW             |               | 2    | 5/16 X 5/8 |                         |
| 5    | 4305914      | HARNESS BRACKET               |               | 1    |            |                         |
| 6    | K-3734       | TRANS CONTROLLER MOUNTING KIT |               | 1    |            |                         |
| 7    | 4305871      | WIRE BRACKET                  |               | 1    |            |                         |
| 8    | 4305794      | HARNESS STRAP BRACKET         |               | 1    |            |                         |



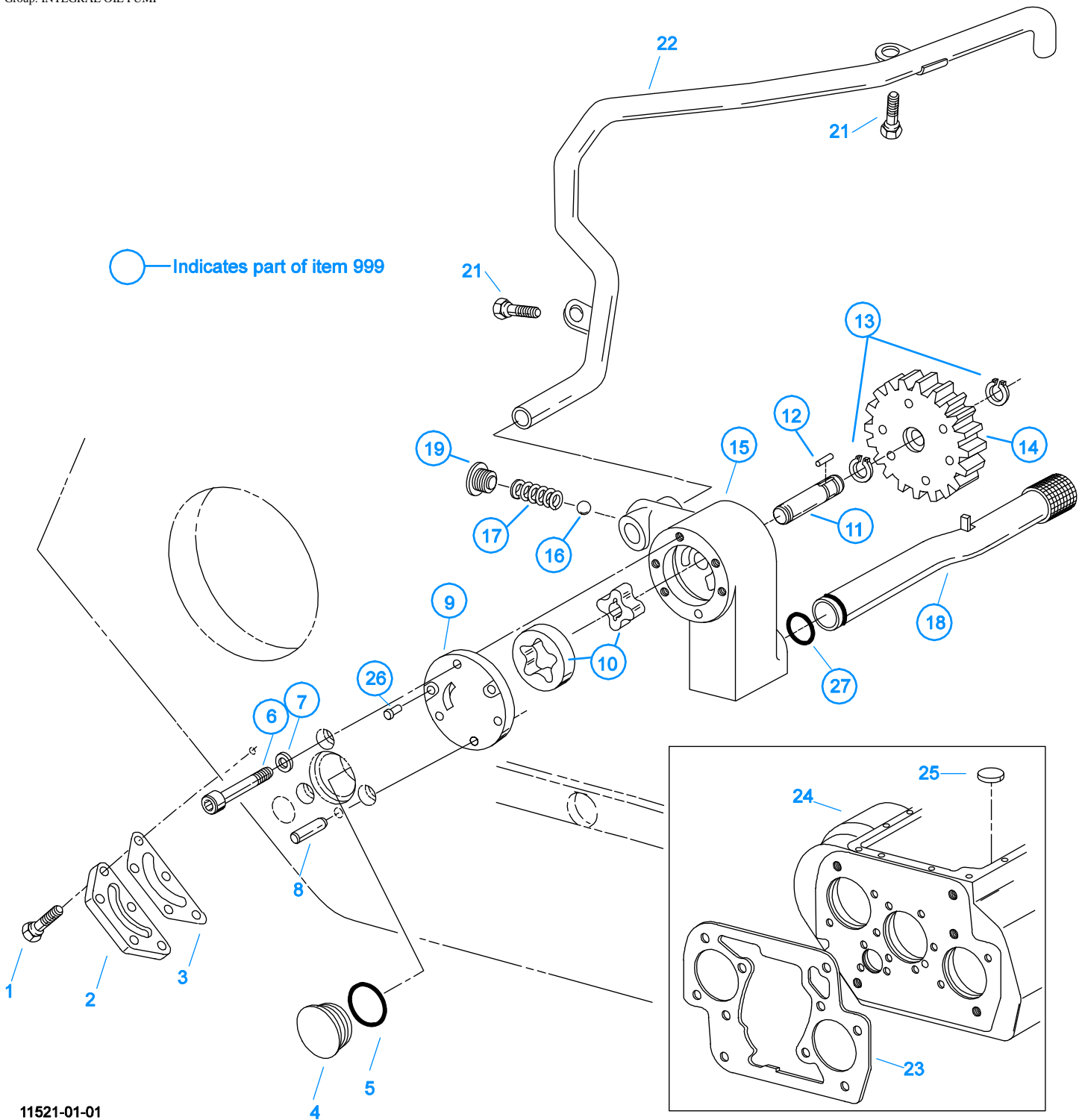
\* For Shipping Only -- Do Not Replace

\*

10370-1/92 IS

### INPUT SHAFT & DRIVE GEAR

| Item | Current Part | Description     | Replaced Part | Qty. | Notes                | Kits/Assys Where Needed |
|------|--------------|-----------------|---------------|------|----------------------|-------------------------|
| 1    | 23559        | SHIPPING SEAL   |               | 1    | NOT SOLD FOR SERVICE |                         |
| 2    | 16980        | SNAP RING       |               | 1    |                      | K-3519                  |
| 3    | 81504        | BEARING         |               | 1    |                      | K-3519,K-3522           |
| 4    | 16463        | SPACER          |               | 1    |                      |                         |
| 5    | 14750        | SNAP RING       |               | 1    |                      | K-3519,K-3522           |
| 6    | 22961        | MAIN DRIVE GEAR | 22959         | 1    |                      |                         |
| 8    | S-1659       | INPUT SHAFT     | 23566         | 1    | 2" PULL              | K-3519                  |
| 9    | 16566        | BUSHING         |               | 1    |                      | K-3522,S-1659           |



11521-01-01

### INTEGRAL OIL PUMP

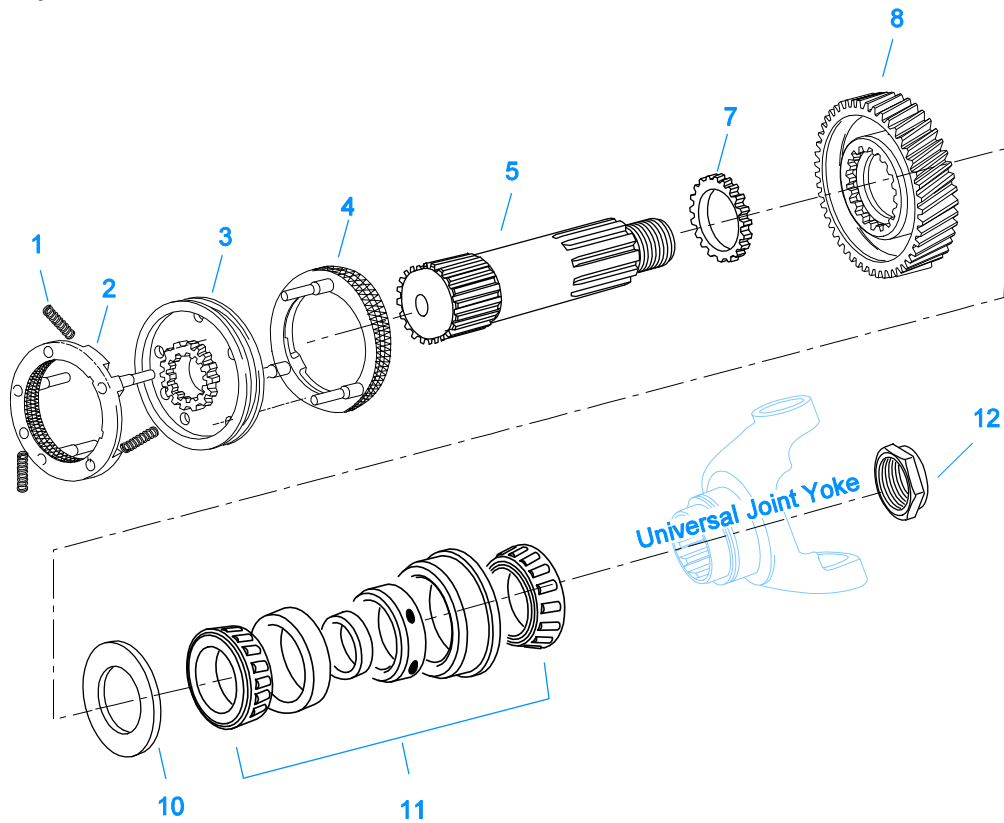
| Item | Current Part | Description       | Replaced Part  | Qty. | Notes          | Kits/Assys Where Needed |
|------|--------------|-------------------|----------------|------|----------------|-------------------------|
| 1    | X-8C-409     | CAPSCREW          |                | 5    | 1/4"-20X5/8"   |                         |
| 2    | K-2402       | COVER & SCREW KIT | 20513 ,4300751 | 1    |                |                         |
| 3    | 20514        | GASKET            |                | 1    |                | K-2402                  |
| 4    | 20823        | PLUG              |                | 1    |                |                         |
| 5    | 14765        | -O- RING          |                | 1    |                | K-3484                  |
| 6    | X-8-448      | SCREW             | X 8 445        | 3    | 1/4"-20X1-1/4" |                         |
| 7    | 20824        | WASHER            |                | 3    |                | K-3367                  |



| Item | Current Part | Description              | Replaced Part   | Qty. | Notes                              | Kits/Assys Where Needed |
|------|--------------|--------------------------|---|------|------------------------------------|-------------------------|
| 8    | 20825        | DOWEL PIN                |   | 1    |                                    |                         |
| 9    | 4303773      | RETAINER                 |   | 1    |                                    |                         |
| 10   | K-3367       | OIL PUMP KIT             | 4301829 ,4301948<br>,4303776 ,4304529<br>,4304572 A - 6963 ,A -<br>7173 | 1    |                                    |                         |
| 11   | K-3367       | OIL PUMP KIT             | 4301829 ,4301948<br>,4303776 ,4304529<br>,4304572 A - 6963 ,A -<br>7173 | 1    |                                    |                         |
| 12   | 20509        | KEY                      |   | 1    |                                    |                         |
| 13   | 14853        | SNAP RING                |   | 2    |                                    |                         |
| 14   | 4303774      | PUMP DRIVE GEAR          | 4304880   | 1    |                                    |                         |
| 15   | K-3367       | OIL PUMP KIT             | 4301829 ,4301948<br>,4303776 ,4304529<br>,4304572 A - 6963 ,A -<br>7173 | 1    |                                    |                         |
| 16   | X-14-700     | STEEL BALL               |   | 1    | 7/16"                              |                         |
| 17   | 4303775      | SPRING                   |   | 1    |                                    |                         |
| 18   | 4305713      | SUCTION TUBE             | 4304628   | 1    | O-RING INCLUDED ON SUCTION<br>TUBE | K-3367                  |
| 19   | 4304629      | PLUG                     |   | 1    |                                    |                         |
| 21   | X-8-686      | CAPSCREW                 |   | 2    | 3/8"-16X3/4"                       |                         |
| 22   | 4305715      | SPLITTER LUBE TUBE       | A - 7197  | 1    |                                    |                         |
| 23   | 4306584      | CLUTCH HOUSING<br>GASKET | 4304815,4305668   | 1    |                                    | K-3518,K-3671,K-4051    |
| 24   | S-3017       | CASE ASSEMBLY            | 4305693   | 1    |                                    |                         |
| 25   | 14373        | MAGNET                   |   | 3    |                                    | S-3017                  |
| 26   | X-8-447      | SCREW                    |   | 2    |                                    |                         |
| 27   | 20225        | -O- RING                 |   | 1    |                                    |                         |
| 999  | K-3367       | OIL PUMP KIT             | 4301829 ,4301948<br>,4303776 ,4304529<br>,4304572 A - 6963 ,A -<br>7173 | 1    |                                    |                         |

## KITS & ASSEMBLIES

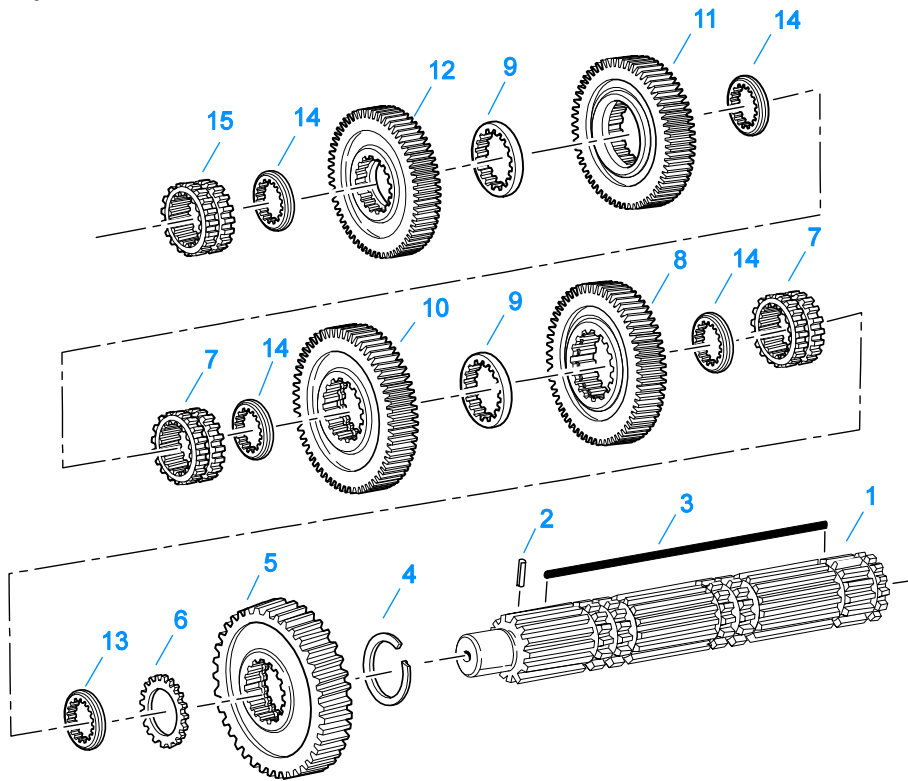
| Item     | Current Part | Description                                  | Replaced Part  | Qty. | Notes   | Kits/Assys Where Needed |
|----------|--------------|--|--|------|---|-------------------------|
| K-1698   |              | -O- RING/ELEMENT KIT                         |  | 1    | FOR FILTER REGULATOR  |                         |
| K-1956   |              | COOLER INSTLN KIT                            |  | 1    |   |                         |
| K-2170   |              | FILTER REG KIT                               | A - 5454   | 1    |   |                         |
| K-2402   |              | COVER & SCREW KIT                            | 20513 ,4300751   | 1    |   |                         |
| K-2805   |              | SHIM KIT                                     | 21452 K - 2106   | 1    |   | K-3519,K-3522           |
| K-2908   |              | -O- RING KIT                                 |  | 1    | FOR SOLENOID VALVE  |                         |
| K-2918   |              | OIL SEAL KIT                                 | 4302322 4302323  | 1    | "FOR MAGNETIC COVER"  | K-3519,K-3522           |
| K-2942   |              | COUNTERSHAFT-W/REV & 1ST                     | 4301224 ,4301225   | 1    |   |                         |
| K-3231   |              | SPEED SENSOR KIT                             | A - 6398 ,A - 6724   | 1    | SINGLE PICK-UP (2 PIN)  |                         |
| K-3231   |              | SPEED SENSOR KIT                             |  | 1    |   |                         |
| K-3365   |              | RANGE CYL COVER KIT                          | 691442   | 1    |   |                         |
| K-3367   |              | OIL PUMP KIT                                 | 4301829 ,4301948 ,4303776 ,4304529 ,4304572 A - 6963 ,A - 7173 | 1    |   |                         |
| K-3438   |              | POSITION SENSOR KIT                          | 691551 ,691926   | 1    |   |                         |
| K-3484   |              | O-RING KIT - RANGE                           |  | 1    |   | K-3519,K-3522           |
| K-3492   |              | SYNCHRONIZER KIT                             | K - 2446   | 1    |   |                         |
| K-3494   |              | SYNCHRONIZER REPLACEMENT KIT                 | K - 2448   | 1    | SLIDING CLUTCH INCLUDED IN KIT  |                         |
| K-3518   |              | GASKET KIT                                   |  | 1    |   | K-3519,K-3522           |
| K-3519   |              | BASIC OVERHAUL KIT                           |  | 1    |   |                         |
| K-3522   |              | BASIC REBUILD KIT                            |  | 1    |   |                         |
| K-3523   |              | SPEEDO PLUG KIT                              | 4302707  | 1    |   |                         |
| K-3671   |              | FORCED LUBE CL HSG KIT                       |  | 1    |   |                         |
| K-3681   |              | TRANS HARNESS KIT                            | 4305915  | 1    |   |                         |
| K-3682   |              | RANGE/SPLITTER VALVE KIT                     | 5561801 ,5561804 ,K - 2907                                     | 1    |   |                         |
| K-3717RX |              | REMAN EXCH TRANS CONTROLLER KIT              | K-3717   | 1    |   |                         |
| K-3734   |              | TRANS CONTROLLER MOUNTING KIT                |  | 1    |   |                         |
| K-3784RX |              | REMAN EXCH GEN 3 X-Y SHIFTER KIT             | A - 7670,K-3665,K-3784   | 1    |   |                         |
| K-3979   |              | SPACER KIT                                   |  | 1    | INCLUDES (4) SPACER MOUNTING SCREWS   |                         |
| K-3980   |              | COBRA SHIFT LEVER KIT (RHO)                  | K-3680   | 1    | (LEFT HAND DRIVE), ALSO KNOWN AS (RHO) RIGHT HAND OPERATION   |                         |
| K-3997   |              | COBRA SHIFT LEVER KIT (RHO) W/MACK SWING ARM | A - 7181,K-3680  | 1    | (LEFT HAND DRIVE), ALSO KNOWN AS (RHO) RIGHT HAND OPERATION - FOR UNITS USING THE MACK 10MY559M SWING ARM BRACKET |                         |
| K-4051   |              | RT CLUTCH HOUSING SERVICE KIT                |  | 1    |   |                         |
| S-1404   |              | OIL FILTER                                   | 17238  | 1    |   |                         |
| S-1659   |              | INPUT SHAFT                                  | 20535 23566 ,4302661   | 1    | 2" PULL - USE W/FBC 20550   | K-3519                  |
| S-2501   |              | SPEEDO ROTOR ASSY                            | 4302242  | 1    | MAGNETIC  |                         |
| S-2688   |              | MAINSHAFT ASSY                               | 4303404 ,4303913   | 1    |   |                         |
| S-2913   |              | REAR BEARING COVER ASSY                      | 691637 ,4304651 ,4305833                                       | 1    |   |                         |
| S-3017   |              | CASE ASSEMBLY                                | 4305693  | 1    |   |                         |
| S-3021   |              | SHIFT BAR HOUSING ASSY                       | 4305895  | 1    | COMPLETE  |                         |
| S-3022   |              | SHIFT BAR HOUSING ASSY                       | 4305895  | 1    | HOUSING ONLY  |                         |



10421A-10-01

### MAINSHAFT & SYNCHRO(AUX)

| Item | Current Part | Description                | Replaced Part            | Qty. | Notes    | Kits/Assys Where Needed     |
|------|--------------|----------------------------|--------------------------|------|----------|-----------------------------|
| 1    | 14897        | SPRING                     |                          | 3    |          | K-3492,K-3494,K-3519,K-3522 |
| 2    | A-7331       | SYNCHRONIZER ASSY          | 4304396 4304397 A - 5917 | 1    | HI RANGE | K-3492,K-3494               |
| 3    | 20323        | SLIDING CLUTCH             |                          | 1    |          | K-3494                      |
| 4    | A-7254       | SYNCHRONIZER ASSEMBLY      | A - 4937 A - 5876        | 1    | LO RANGE | K-3492,K-3494               |
| 5    | 4302276      | AUXILIARY MAINSHAFT        |                          | 1    |          |                             |
| 7    | 22899        | WASHER                     |                          | 1    |          |                             |
| 8    | 4302090      | REDUCTION GEAR             | 4301227                  | 1    |          |                             |
| 10   | 22898        | SPACER                     |                          | 1    |          |                             |
| 11   | 5556503-BOX  | BEARING                    | 5556503                  | 1    |          | K-3519,K-3522               |
| 12   | K-4122       | HEX FLANGE CRIMPED NUT KIT | 4302321,4306520          | 1    |          |                             |



10337B-10-96

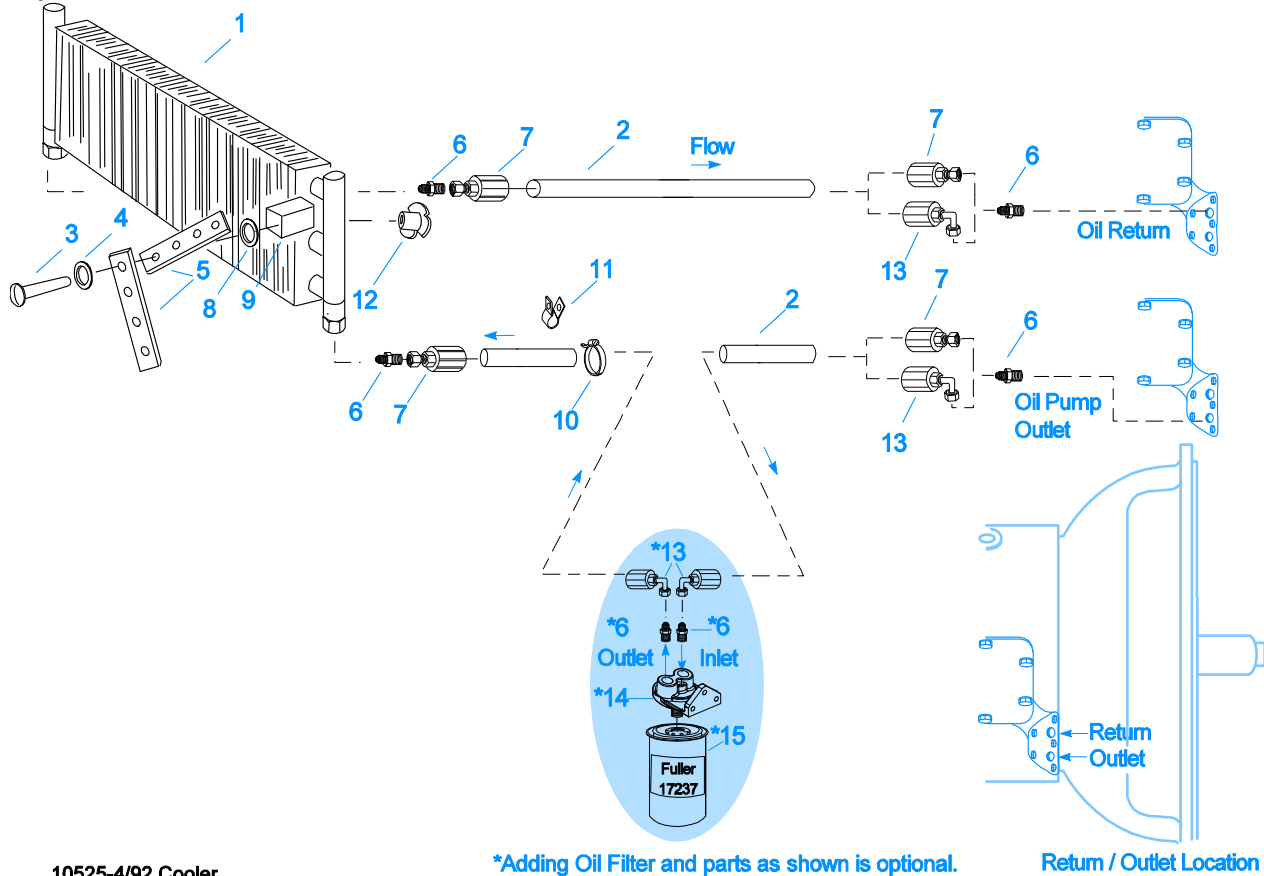
**MAINSHAFT ASSY**

| Item | Current Part | Description            | Replaced Part   | Qty. | Notes | Kits/Assys Where Needed |
|------|--------------|------------------------|-----------------|------|-------|-------------------------|
| 1    | S-2688       | MAINSHAFT ASSY         | 4303404 4303913 | 1    |       |                         |
| 2    | 62504        | ROLL PIN               |                 | 1    |       | S-2688                  |
| 3    | 4304614      | 3-SIDED KEY            | 4300890         | 1    |       |                         |
| 4    | 14750        | SNAP RING              |                 | 1    |       | K-3519,K-3522           |
| 5    | 4301222      | REVERSE GEAR-MAINSHAFT |                 | 1    |       |                         |
| 6    | 14749        | SPACER                 |                 | 1    |       |                         |
| 7    | 4305997      | SLIDING CLUTCH         |                 | 2    |       |                         |
| 8    | 4303497      | 1ST GEAR-MAINSHAFT     | 4303498         | 1    |       |                         |
| 9    | 4303603      | WASHER                 | 4302397         | 2    |       |                         |
| 10   | 4303428      | 2ND GEAR-MAINSHAFT     | 4303411         | 1    |       |                         |
| 11   | 4302394      | 3RD GEAR-MAINSHAFT     | 4302395         | 1    |       |                         |
| 12   | 4302393      | OD GEAR-MAINSHAFT      | 4305667         | 1    |       |                         |
| 13   | 4300830      | WASHER .244-BLUE       |                 | 1    |       |                         |
| 14   | 4302398      | WASHER                 |                 | 4    |       |                         |
| 15   | 4305996      | SLIDING CLUTCH         |                 | 1    |       | K-3519                  |

## MISCELLANEOUS

| Item    | Current Part | Description         | Replaced Part | Qty. | Notes                            | Kits/Assys Where Needed |
|---------|--------------|---------------------|---------------|------|----------------------------------|-------------------------|
| 5586260 |              | SHIFT DIAGRAM LABEL |               | 1    |                                  |                         |
| 71203   |              | SILICONE LUBE       |               | 1    | 8 OZ (236.59 CC)-FLEET SIZE      |                         |
| 71204   |              | ADHESIVE SEALANT    |               | 1    | 0.5 CC (SINGLE APPLICATION SIZE) |                         |
| 71205   |              | SEALANT             |               | 1    | 2 CC (SINGLE APPLICATION SIZE)   | K-3519                  |
| 71206   |              | SILICONE LUBE       |               | 1    | 4 CC (SINGLE APPLICATION SIZE)   | K-3484                  |

Group: OIL COOLER



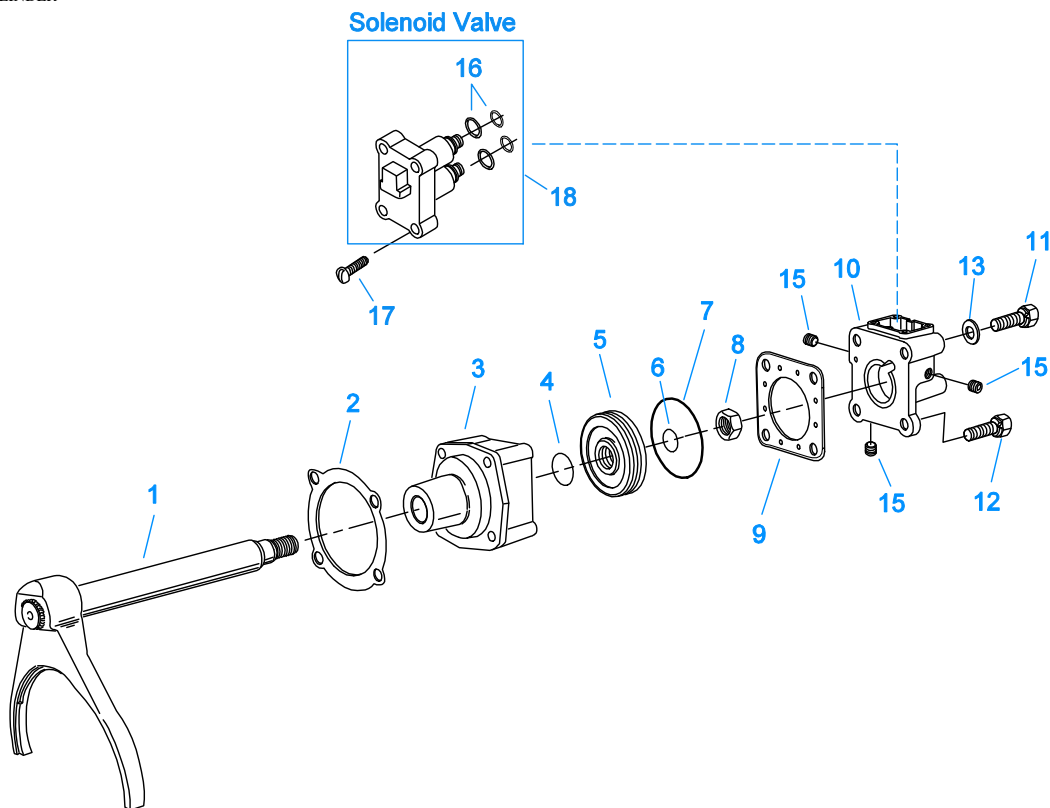
10525-4/92 Cooler

\*Adding Oil Filter and parts as shown is optional.

Return / Outlet Location

## OIL COOLER

| Item | Current Part | Description       | Replaced Part | Qty. | Notes           | Kits/Assys Where Needed |
|------|--------------|-------------------|---------------|------|-----------------|-------------------------|
| 1    | 18025        | OIL COOLER        |               | 1    |                 | K-1956                  |
| 2    | 19424        | HOSE              |               | 1    | 25 FEET         | K-1956                  |
| 3    | X-8-535      | CAPSCREW          |               | 2    | 5/16"-16X2-1/2" |                         |
| 4    | X-3-506      | LOCKWASHER        |               | 2    | 5/16"           |                         |
| 5    | 18211        | BRACKET           |               | 4    |                 | K-1956                  |
| 6    | 19419        | CONNECTOR         |               | 6    |                 | K-1956,S-1404           |
| 7    | 19415        | SWIVEL            |               | 4    |                 | K-1956                  |
| 8    | X-10-501     | WASHER            |               | 2    | 5/16"           |                         |
| 9    | 18209        | PLUG-RUBBER MOUNT |               | 2    |                 | K-1956                  |
| 10   | 17190        | STRAP             |               | 8    |                 | K-1956                  |
| 11   | 19423        | CLAMP             |               | 5    |                 | K-1956                  |
| 12   | 18210        | NUT               |               | 2    |                 | K-1956                  |
| 13   | 19422        | ELBOW             |               | 4    |                 | K-1956                  |
| 14   | S-1404       | OIL FILTER        | 17238         | 1    |                 |                         |
| 15   | 17237        | FILTER ELEMENT    |               | 1    |                 | S-1404                  |

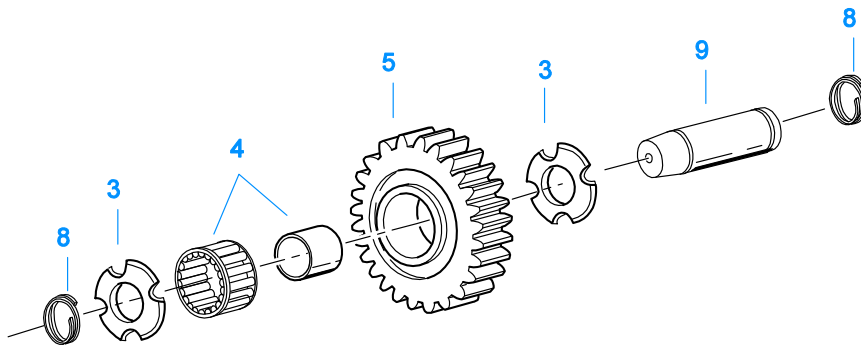


20539-03-01

## RANGE CYLINDER

| Item | Current Part | Description              | Replaced Part              | Qty. | Notes              | Kits/Assys Where Needed |
|------|--------------|--------------------------|----------------------------|------|--------------------|-------------------------|
| 1    | A-5474       | SHIFT YOKE ASSY          |                            | 1    |                    |                         |
| 2    | 14347        | GASKET                   |                            | 1    |                    | K-3484,K-3518           |
| 3    | 691348       | RANGE CYLINDER           |                            | 1    |                    |                         |
| 4    | 14765        | -O- RING                 |                            | 1    |                    | K-3484                  |
| 5    | 14341        | PISTON                   | 23353                      | 1    |                    |                         |
| 6    | 14345        | -O- RING                 |                            | 1    |                    | K-3484                  |
| 7    | 14344        | -O- RING                 |                            | 1    |                    | K-3484                  |
| 8    | X-1-1010     | NUT                      |                            | 1    | 5/8"-18            |                         |
| 9    | 691955       | GASKET                   | 691440                     | 1    |                    | K-3365,K-3484,K-3518    |
| 10   | K-3365       | RANGE CYL COVER KIT      | 691442                     | 1    |                    |                         |
| 11   | X-8-647      | CAPSCREW                 |                            | 2    | 3/8"-16X4-3/4"     |                         |
| 12   | X-8L-605     | CAPSCREW                 |                            | 2    | 3/8"-16X3"         |                         |
| 13   | X-3-600      | LOCKWASHER               |                            | 2    | 3/8"               |                         |
| 15   | X-12-208     | PIPE PLUG                |                            | 3    | 1/8" NPT           |                         |
| 16   | K-2908       | -O- RING KIT             |                            | 1    | FOR SOLENOID VALVE |                         |
| 17   | X-8-264      | HEX FLANGE HEAD SCREW    | X 8 259                    | 4    | #10-24 X 1 1/4     |                         |
| 18   | K-3682       | RANGE/SPLITTER VALVE KIT | 5561801 ,5561804 ,K - 2907 | 1    |                    |                         |

Group: REVERSE IDLER

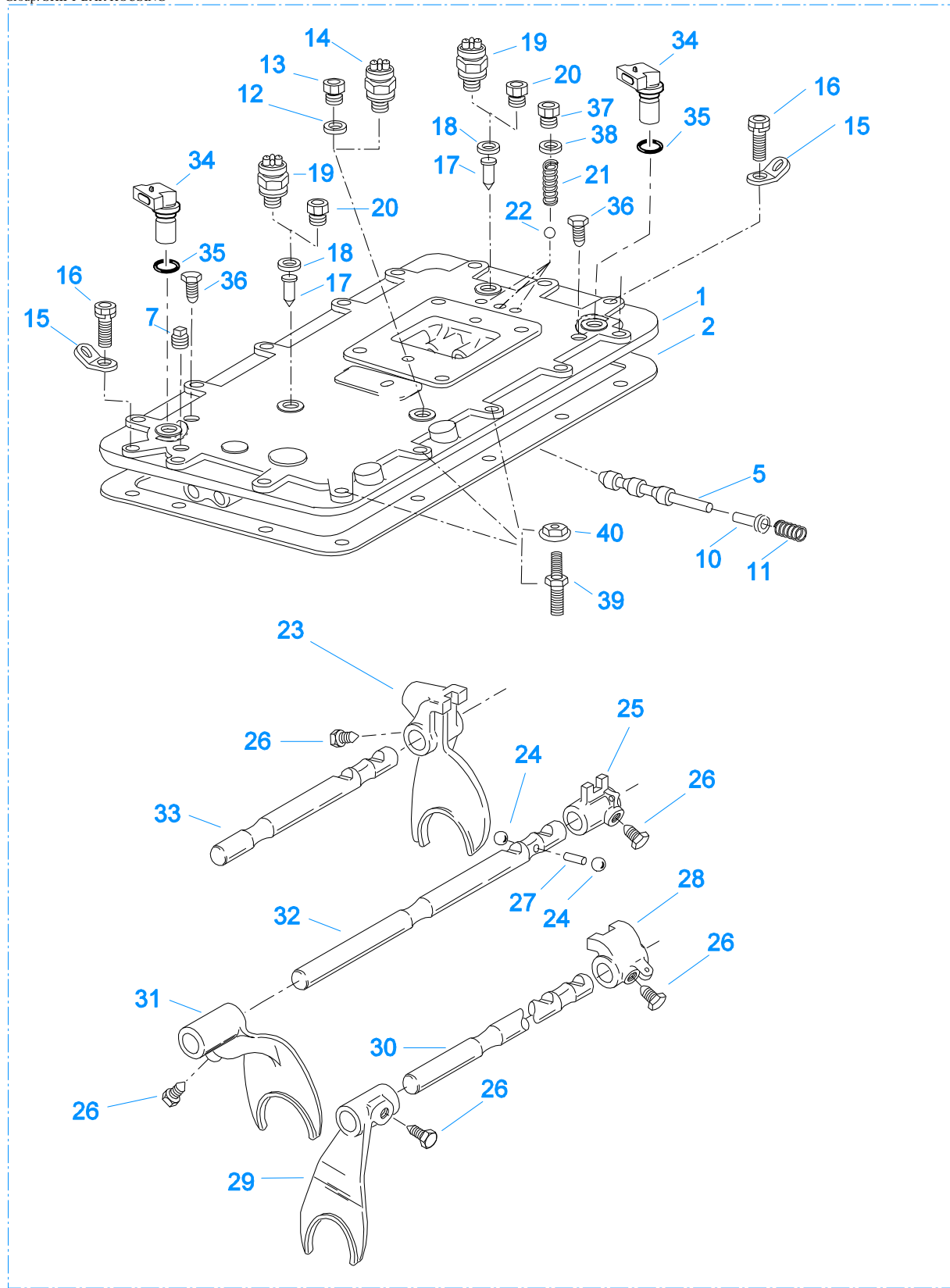


11382A-10-04

### REVERSE IDLER

| Item | Current Part | Description        | Replaced Part | Qty. | Notes | Kits/Assys Where Needed |
|------|--------------|--------------------|---------------|------|-------|-------------------------|
| 3    | 4302982      | WASHER             | 14282         | 4    |       |                         |
| 4    | 14287        | BEARING            | 4305020       | 2    |       | K-3519,K-3522           |
| 5    | 4301229      | REVERSE IDLER GEAR |               | 2    |       |                         |
| 8    | 4303336      | RETAINING RING     |               | 4    |       |                         |
| 9    | 4305513      | IDLER SHAFT        |               | 2    |       |                         |



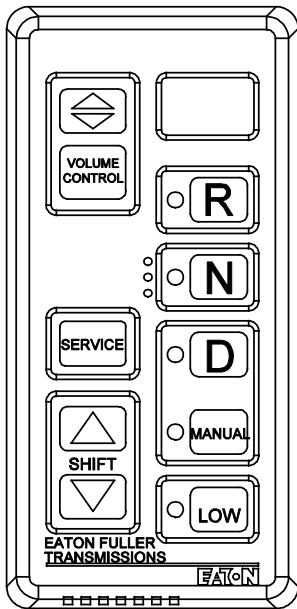


999

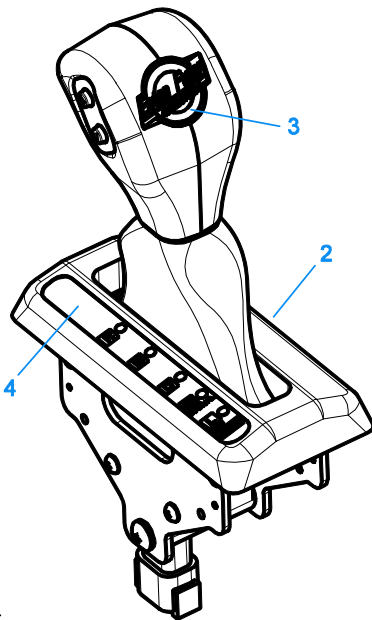
20237-10-05

## SHIFT BAR HOUSING

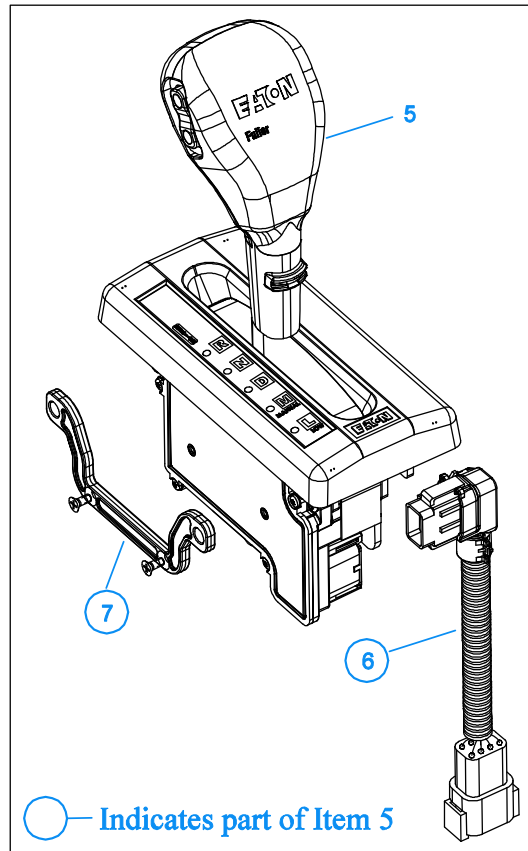
| Item | Current Part | Description            | Replaced Part      | Qty. | Notes   | Kits/Assys Where Needed |
|------|--------------|------------------------|--------------------|------|---|-------------------------|
| 1    | S-3022       | SHIFT BAR HOUSING ASSY | 4305895            | 1    | HOUSING ONLY  |                         |
| 2    | 4302676      | GASKET                 | 14918              | 1    |   | K-3518,S-3021,S-3022    |
| 5    | 20332        | AIR VALVE SHAFT        | 17177              | 1    |   | S-3021                  |
| 7    | X-12-603     | PIPE PLUG              | X12 602            | 1    | 3/8" NPT  |                         |
| 10   | 21966        | PLUNGER                |                    | 1    |   |                         |
| 11   | 4301372      | SPRING                 |                    | 1    |   |                         |
| 12   | 17179        | GASKET                 |                    | 1    |   | S-3021,S-3022           |
| 13   | 4303655      | PLUG                   | 17178              | 1    |   | S-3021,S-3022           |
| 14   | 22941        | NEUTRAL LIGHT SWITCH   | 12639              | 1    | SWITCH NORMALLY CLOSED  |                         |
| 15   | 20815        | LIFTING EYE            | 17105              | 2    |   |                         |
| 16   | X-8L-602     | CAPSCREW               |                    | 5    | 3/8"-16X1-1/2"- TWO FOR LIFTING EYES, 2 FOR HARNESS BRACKET AND 1 FOR STRAIN RELIEF VALVE |                         |
| 16   | X-8L-604     | CAPSCREW               |                    | 8    | 3/8"-16X1-1/4"  |                         |
| 17   | 15899        | PIN                    |                    | 2    |   |                         |
| 18   | 15900        | GASKET                 |                    | 2    |   | S-3021,S-3022           |
| 19   | 22940        | REVERSE LIGHT SWITCH   | 16830              | 1    | SWITCH NORMALLY OPEN  |                         |
| 20   | 4303656      | PLUG                   | 15917              | 1    |   | S-3021,S-3022           |
| 21   | 691661       | COMPRESSION SPRING     |                    | 3    |   | S-3021                  |
| 22   | X-14-800     | STEEL BALL             |                    | 3    | 1/2"  |                         |
| 23   | 691712       | SHIFT YOKE             | 4301376            | 1    | REVERSE/1ST   | S-3021                  |
| 24   | X-14-1200    | STEEL BALL             |                    | 2    | 3/4"  |                         |
| 25   | 14658        | SHIFT BLOCK            |                    | 1    | 2ND/3RD   | S-3021                  |
| 26   | 3220         | LOCKSCREW              |                    | 5    |   | S-3021                  |
| 27   | 1634         | INTERLOCK PIN          |                    | 1    |   | S-3021                  |
| 28   | 14659        | SHIFT BLOCK            |                    | 1    | 4TH/5TH   | S-3021                  |
| 29   | 691601       | SHIFT YOKE             | 4302212            | 1    | 4TH/5TH   | S-3021                  |
| 30   | 4301366      | YOKE BAR               |                    | 1    | 4TH/5TH   | S-3021                  |
| 31   | 691600       | SHIFT YOKE             | 4302994            | 1    | 2ND/3RD   | S-3021                  |
| 32   | 4301365      | YOKE BAR               |                    | 1    | 2ND/3RD   | S-3021                  |
| 33   | 4301364      | YOKE BAR               |                    | 1    | REVERSE/1ST   | S-3021                  |
| 34   | K-3231       | SPEED SENSOR KIT       | A - 6398 ,A - 6724 | 2    | SINGLE PICK-UP (2 PIN)  |                         |
| 35   | 14142        | -O- RING               |                    | 2    |   | S-3021                  |
| 36   | X-8C-409     | CAPSCREW               |                    | 2    | 1/4"-20X5/8"  |                         |
| 37   | 4303656      | PLUG                   | 15917              | 3    |   | S-3021,S-3022           |
| 38   | 15900        | GASKET                 |                    | 3    |   | S-3021,S-3022           |
| 39   | 4305869      | SCREW 3/8 & 5/16       |                    | 3    | USED FOR MOUNTING ECU   |                         |
| 40   | 4305870      | NUT ASSEMBLY           |                    | 3    | 5/16-18, USED FOR MOUNTING ECU  | K-3734                  |
| 999  | S-3021       | SHIFT BAR HOUSING ASSY | 4305895            | 1    | COMPLETE  |                         |



**PUSHBUTTON ASSEMBLY**



**COBRA LEVER - only for use with 10MY559M Mack Swing Arm Bracket**

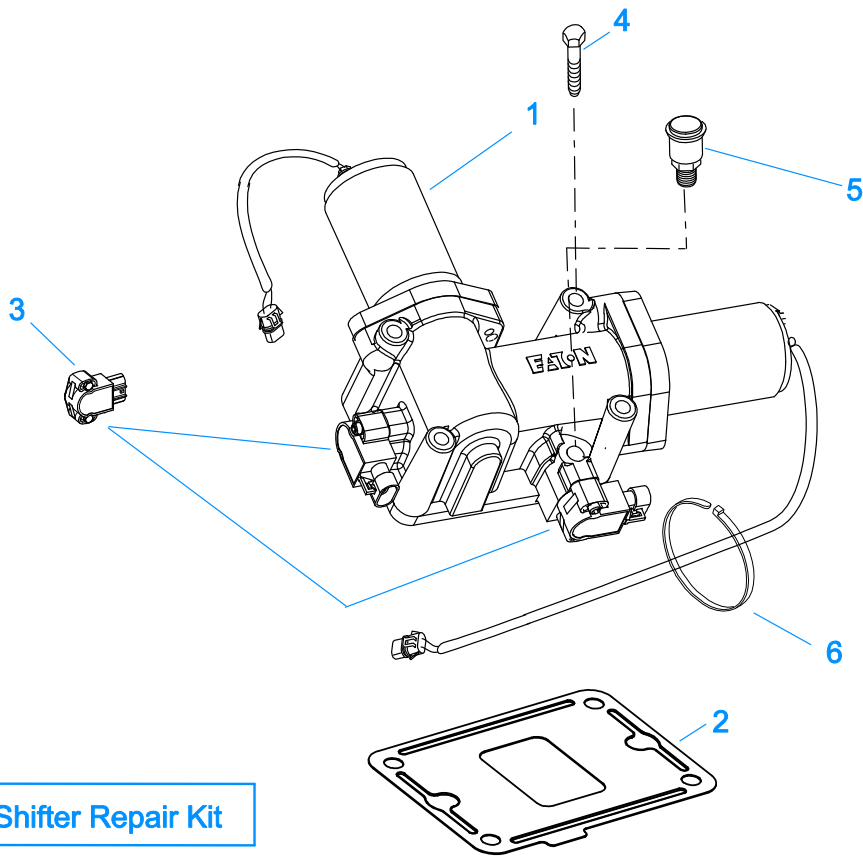


**COBRA LEVER - Latest Design - for all applications with the exception of units using the 10MY559M Mack Swing Arm Bracket (see illustration to the left)**

10209-06-09

**SHIFT CONTROLS**

| Item | Current Part | Description                                  | Replaced Part   | Qty. | Notes   | Kits/Assys Where Needed |
|------|--------------|--|-----------------|------|---|-------------------------|
| 1    | 4306043      | PUSHBUTTON ASSY                              | A - 7466,S-3007 | 1    |   |                         |
| 2    | K-3997       | COBRA SHIFT LEVER KIT (RHO) W/MACK SWING ARM | 4305447,K-3680  | 1    | (LEFT HAND DRIVE), ALSO KNOWN AS (RHO) RIGHT HAND OPERATION - FOR UNITS USING THE MACK 10MY559M SWING ARM BRACKET |                         |
| 3    | 5505111      | SHIFT LEVER KNOB DECAL                       |                 | 1    |   |                         |
| 4    | 5505110      | SHIFT LEVER POSITION STRIP                   |                 | 1    |   |                         |
| 5    | K-3980       | COBRA SHIFT LEVER KIT (RHO)                  | K-3680          | 1    | (LEFT HAND DRIVE), ALSO KNOWN AS (RHO) RIGHT HAND OPERATION   |                         |
| 6    | A-7982       | JUMPER HARNESS ASSY                          |                 | 1    |   |                         |
| 7    | K-3979       | SPACER KIT                                   |                 | 1    | INCLUDES (4) SPACER MOUNTING SCREWS   |                         |



**7 XY Shifter Repair Kit**

20230-09-01

**X-Y SHIFTER MODULE**

| Item | Current Part | Description                      | Replaced Part          | Qty. | Notes                              | Kits/Assys Where Needed |
|------|--------------|----------------------------------|------------------------|------|------------------------------------|-------------------------|
| 1    | K-3784RX     | REMAN EXCH GEN 3 X-Y SHIFTER KIT | A - 7670,K-3665,K-3784 | 1    |                                    |                         |
| 2    | 4305452      | GASKET                           | 4301958                | 1    |                                    | K-4009                  |
| 3    | K-3438       | POSITION SENSOR KIT              | 691551 ,691926         | 2    |                                    |                         |
| 4    | X-8C-615     | CAPSCREW                         |                        | 4    |                                    |                         |
| 5    | 4304602      | BREATHER                         | 23605                  | 1    | 1/4" NPT                           |                         |
| 6    | 5559348      | TY-RAP                           |                        | 12   | FOR X-Y SHIFTER AND TRANS HARNESES | K-3681,K-3682           |
| 7    | K-4009       | XY SHIFTER REPAIR KIT            |                        | 1    |                                    |                         |