



Eaton Fuller RTOF-11607L Transmission Parts Manual

This is Eaton Fuller RTOF-11607L Transmission parts manual brought to you by Pro Gear and Transmission to assist you identifying the parts for your Eaton / Fuller transmission unit.

If you need any assistance identifying the correct Eaton / Fuller unit for your truck and equipment, contact your Eaton replacement parts specialists at Pro Gear and Transmission.

Pro Gear stocks every part for your Eaton transmission including: Valve Assemblies, Synchronizers, Yoke Assemblies, O-Ring Kits, Drive Gears, Gaskets, Bearing and Seal Kits, and much more.

Pro Gear and Transmission has same day shipping and thousands of products in stock and ready to ship internationally for your next project.

For parts or service contact the Eaton transmission specialists at Pro Gear & Transmission, Inc.

 CALL US

 EMAIL US

 VISIT MODEL PAGE

 VISIT ONLINE STORE



Roadranger®

More time on the road®

Illustrated Parts List

RTOF-11607L
July 2011

Contents

How To Use The Illustrated Parts List	3
AUX. COUNTERSHAFT PUMP	4
OIL COOLER/CONNECTIONS.....	4
AUX. COUNTERSHAFT PUMP	5
OIL PUMP AND INLET LINE.....	5
AUXILIARY DRIVE GEAR.....	6
CASE (AUX)	7
CASE (FRONT)	9
COUNTERSHAFT & BRGS(AUX).....	11
COUNTERSHAFT ASSY.....	12
FILTER REGULATOR.....	13
H & C W/19470 VALVE.....	14
H & C W/A-4688 VALVE.....	15
H & C W/A-5000 VALVE.....	16
INPUT SHAFT & DRIVE GEAR.....	17
ISOLATORS.....	19
KITS & ASSEMBLIES.....	20
LEVERS/HOUSINGS.....	22
MAINSHAFT & SYNCHRO(AUX).....	24
MAINSHAFT ASSY.....	25
MISCELLANEOUS.....	27
RANGE CYLINDER.....	28
RANGE VALVE.....	29
REVERSE IDLER.....	31
ROADRANGER VALVE.....	33
SHIFT BAR HOUSING (F).....	34
SLAVE VALVE - 19470.....	36
SLAVE VALVE - A-4688.....	37
SLAVE VALVE - A-5000.....	38

How To Use The Illustrated Parts List

The information contained in this document is subject to frequent updates. Therefore, for the latest information available, please visit the interactive Electronic Parts Catalog at www.roadranger.com/epc.

Model Designation or Nomenclature

- For information regarding Model Designation and Nomenclature, visit www.roadranger.com.

Kits and Assemblies (K/A's)

- Kits and Assemblies contain groups of individual or assembled parts developed for optimal replacement or repair of a service problem.
- Kits and Assemblies are shown with applicable parts groupings in the parts listings.

Identifying Kits and Assemblies

A- Part numbers beginning with the letter 'A' are pre-assembled Production Assemblies

K- Part numbers beginning with the letter 'K' are kits that are not assembled

S- Part numbers beginning with the letter 'S' are pre-assembled Service Assemblies

- Note: Some Production Assemblies do not begin with a letter prefix (Midrange only).

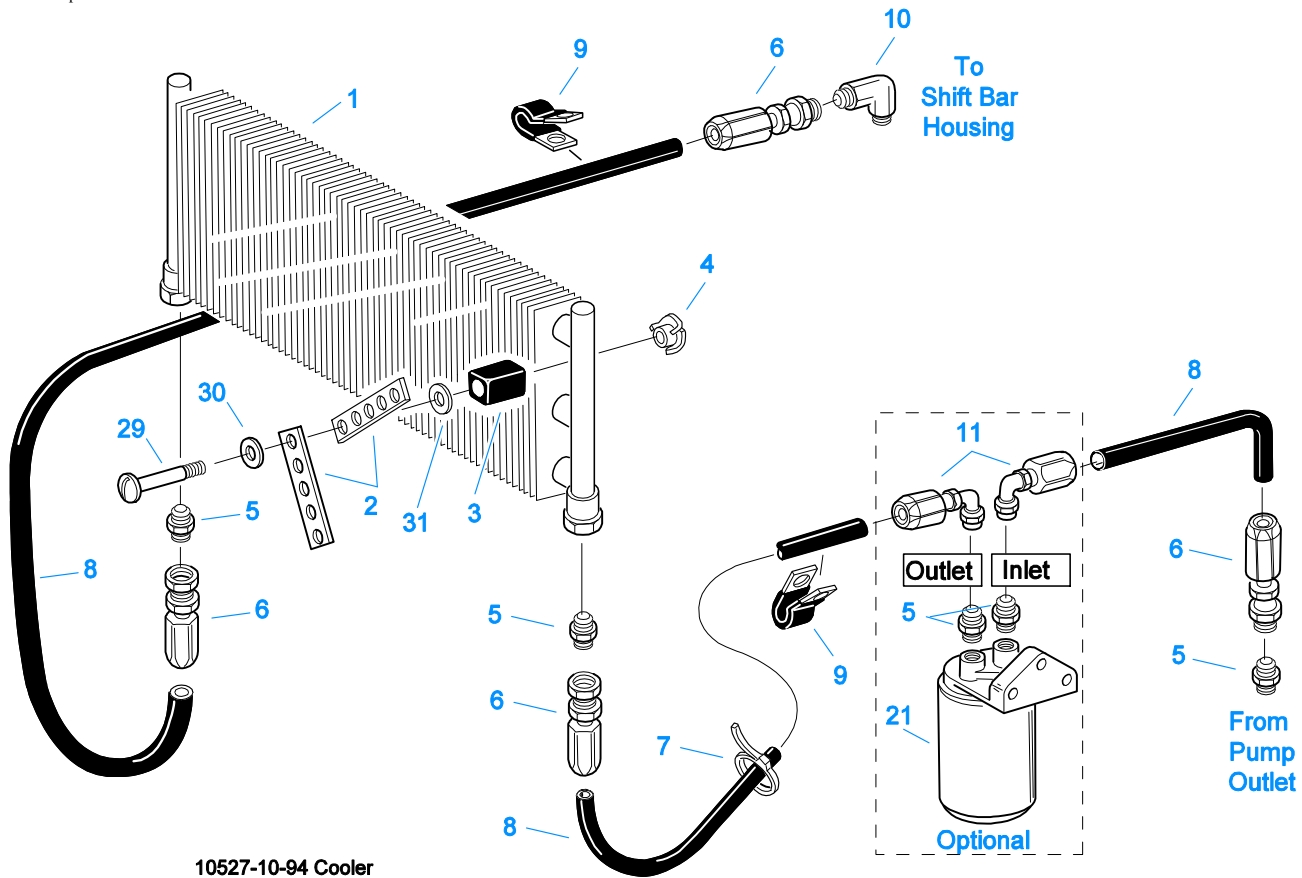
Illustrations

- Illustrations show parts in assembly groups.
- Item numbers on illustrations correspond with parts listings on pages adjacent to the illustration.
- Notes are included on illustrations where additional information is needed.

Parts Listing

Parts listings are defined by parts groupings and are broken down by service assemblies. Parts listings identify a part for servicing with the following categories

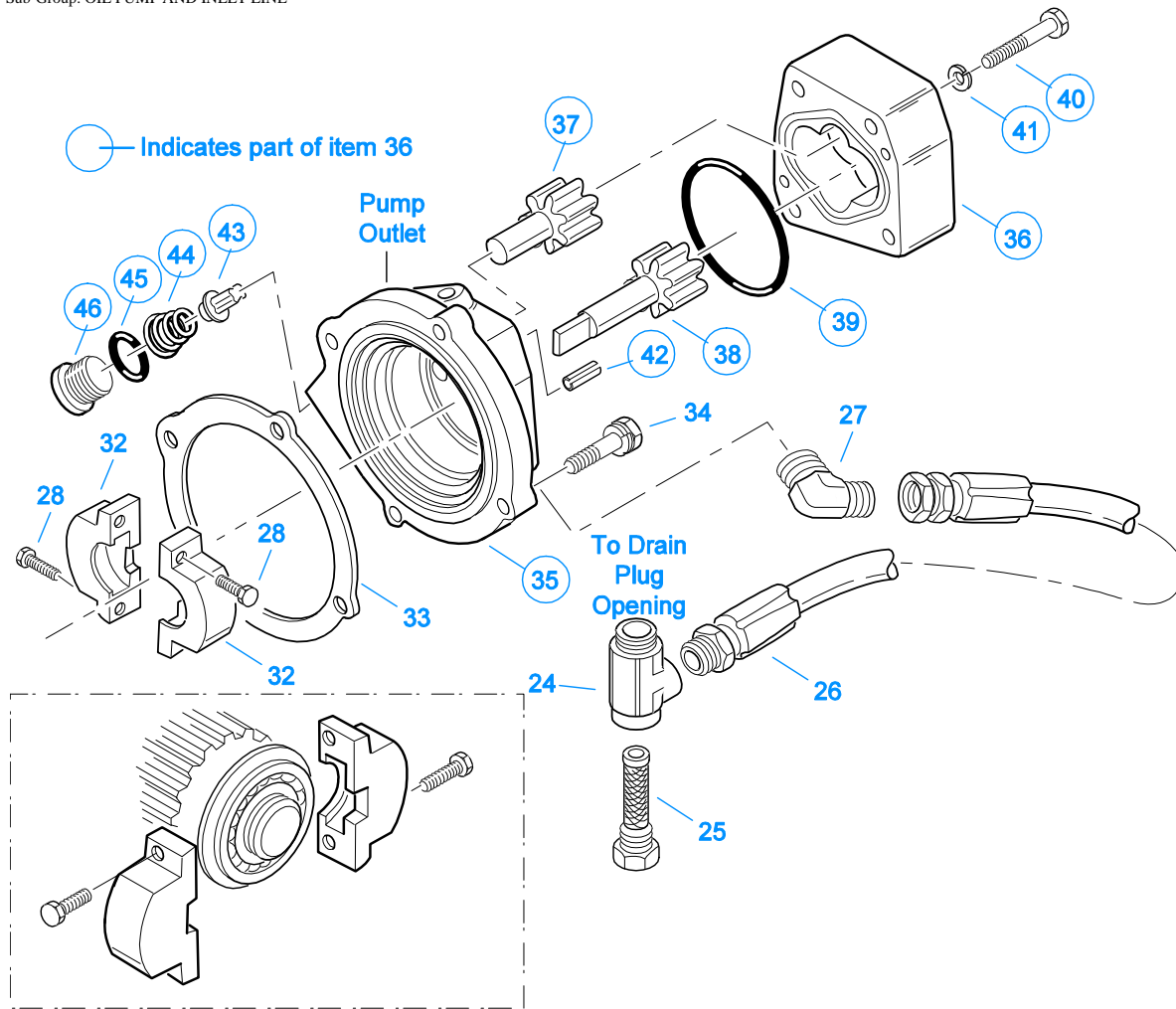
- **Item Number** - corresponding with numbers on illustrations for part identification.
- **Current Part** - identifies part as it is available for service.
- **Description** - specifies part name or description.
- **Replaced Part** - quantity quantity required for assembly.
- **Quantity** - defines unique characteristics or requirements.
- **Notes** - indicates Kits or Assemblies that contain a particular part.
- **Kits/Assy's Where Used**



AUX. COUNTERSHAFT PUMP

OIL COOLER/CONNECTIONS

Item	Current Part	Description	Replaced Part	Qty.	Notes	Kits/Assys Where Needed
1	18025	OIL COOLER		1		
2	18211	BRACKET		4		
3	18209	PLUG-RUBBER MOUNT		2		
4	18210	NUT		2		
5	19419	CONNECTOR		5		
6	19415	SWIVEL		4		
7	17190	STRAP		8		
8	19424	HOSE		1	25 FEET	
9	19423	CLAMP		5		
10	19420	ELBOW		1		
11	19422	ELBOW		2		
21	S-1404	OIL FILTER	17238	1		
29	X-8-535	CAPSCREW		2	5/16"-16X2-1/2"	
30	X-3-506	LOCKWASHER		2	5/16"	
31	X-10-501	WASHER		2	5/16"	

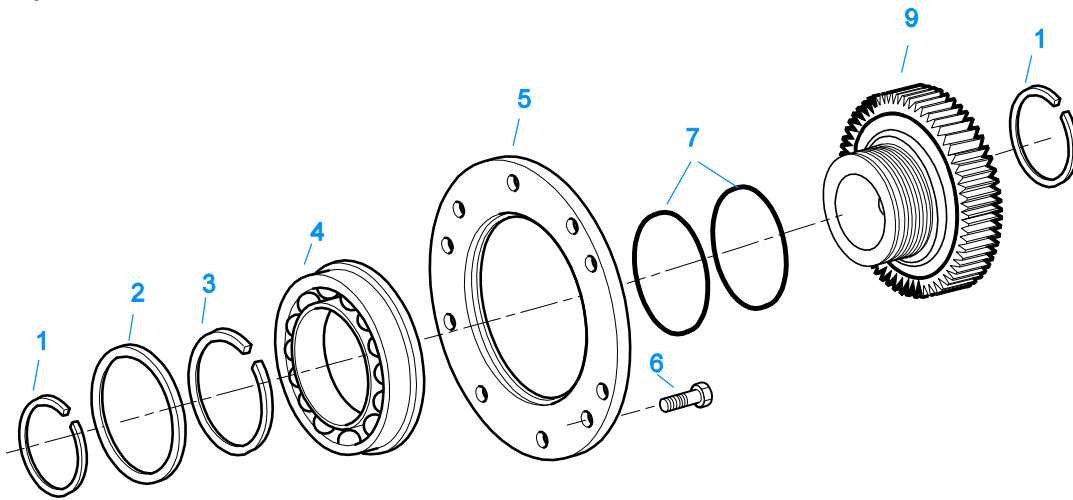


10523-10-94 Oil Pump

AUX. COUNTERSHAFT PUMP

OIL PUMP AND INLET LINE

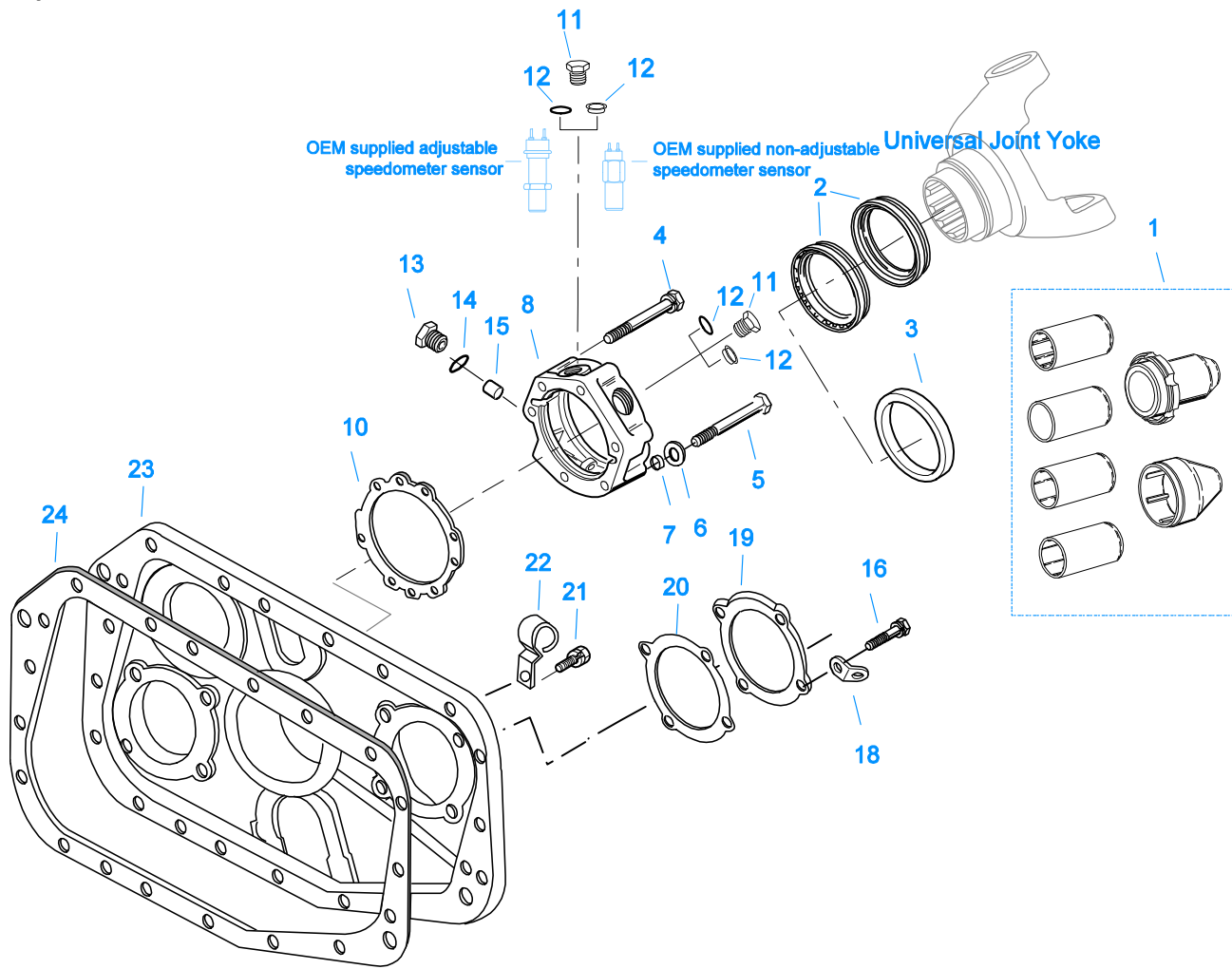
Item	Current Part	Description	Replaced Part	Qty.	Notes	Kits/Assys Where Needed
24	19412	TEE		1		
25	19413	STRAINER		1		
26	19425	HOSE ASSY		1		
27	19418	ELBOW		1		
28	X-7-416	CAPSCREW		2	1/4"-28X13/16" SOCKET HEAD	
32	K-1711	COLLAR KIT	19404	1		
33	19409	GASKET		1		
34	X-8-685	CAPSCREW		1	3/8"-16X2-3/4" SOCKET HEAD	
34	X-8L-602	CAPSCREW		3	3/8"-16X1-1/2"	
35	19401	OIL PUMP ADAPTER		1		
36	A-4680	OIL PUMP ASSY	19400	1		
37	A-4676	IDLER GEAR ASSY		1		
38	A-4677	DRIVE GEAR ASSY		1		
39	18109	-O- RING		1		
40	X-8-434	CAPSCREW		4	1/4"-20X2"	
41	X-3-400	LOCKWASHER		4	1/4"	
42	62515	ROLL PIN		2		
43	12757	VALVE		1		
44	12755	SPRING		1		
45	5568536	-O- RING	13884	1		
46	19411	PLUG		1		



10482-12/92 Aux DG

AUXILIARY DRIVE GEAR

Item	Current Part	Description	Replaced Part	Qty.	Notes	Kits/Assys Where Needed
1	16763	SNAP RING		2		K-1803,K-1866,K-1980
2	21320	SNAP RING RETAINER		1		K-2311
3	16628	SNAP RING		1		K-1803
4	5566507- BOX	BEARING	5566504,5566507	1		K-1866,K-1980
5	16138	BEARING RETAINER		1		
6	X-8-645	CAPSCREW	X 8 612	6	3/8"-16X1"	
7	17453	-O- RING		2		K-1866,K-1980,K-2311
9	K-2311	REPL KIT-DRIVE GEAR	19275 ,4300466	1		

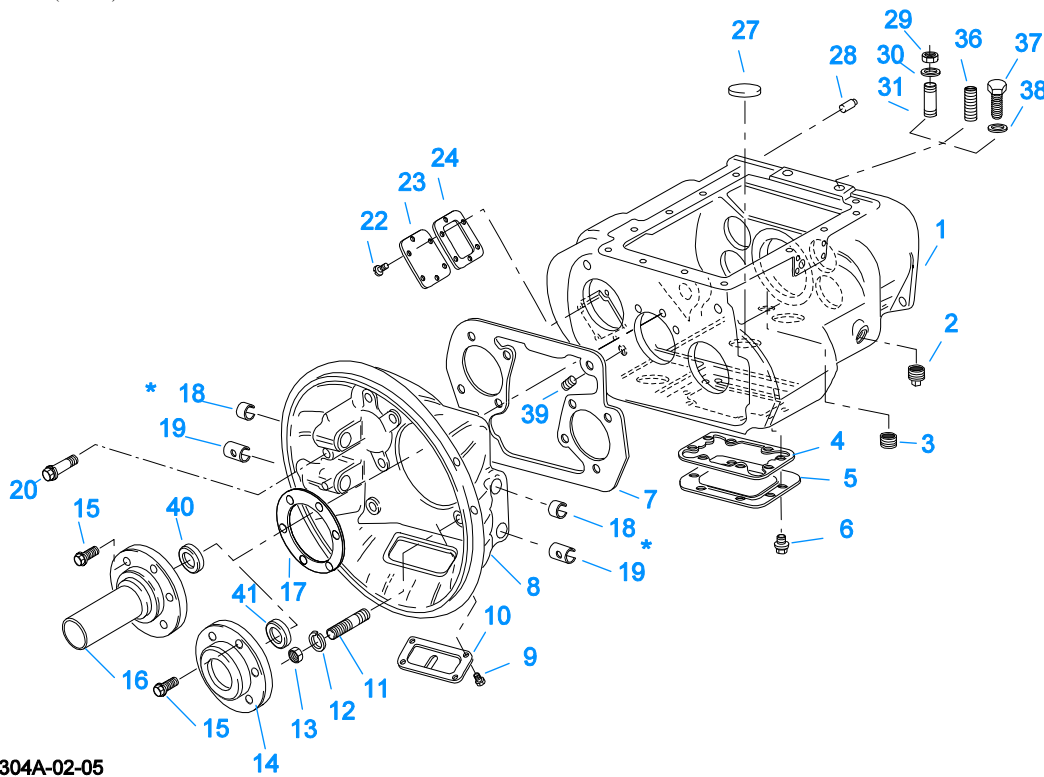


10408-5-94 Aux Case

CASE (AUX)

Item	Current Part	Description	Replaced Part	Qty.	Notes	Kits/Assys Where Needed
1	K-3651	OIL SEAL TOOL KIT		1		
2	K-2262	OIL SEAL W/SLINGER	19109 ,20807 ,20808	1	"FOR MECHANICAL COVER"	
3	K-2262	OIL SEAL W/SLINGER	19109 ,20807 ,20808	1	"FOR MECHANICAL COVER"	
4	X-8L-605	CAPSCREW		5	3/8"-16X3" - USE W/S-2151 COVER	
4	X-8L-611	CAPSCREW		5	3/8"-16X3-1/4" - USE W/S-2119 COVER	
5	X-8-611	CAPSCREW		1	3/8"-16X3-1/4" - USE W/S-2119 COVER	
5	X-8-682	CAPSCREW		1	3/8"-16X3" - USE W/S-2151 COVER	
6	17106	GASKET		1		K-2199,K-2256,K-2262,S-2119,S-2151
7	19709	COLLAR		1		K-1603,K-2199,K-2256,K-2262,S-2119,S-2151
8	S-2119	REAR BRG COVER ASSY	20048 ,22045 ,4302009 ,4302031 ,S - 1558 S - 1560	1	EXTENDED	
8	S-2151	REAR BRG COVER ASSY	S - 1429	1		
10	15532	GASKET		1		K-1603,K-2199,K-2256,K-2262,S-2119,S-2151
11	20224	PLUG-MAGNETIC		2		S-1395,S-2119,S-2151
12	13679	-O- RING		1	USE W/OEM SUPPLIED ADJUSTABLE SPEEDOMETER SENSOR NOT TO BE USED WITH	

Item	Current Part	Description	Replaced Part	Qty.	Notes	Kits/Assys Where Needed
12	20225	-O- RING		2	4301954 SEAL USE W/20224 PLUG OR OEM SUPPLIED NON-ADJUSTABLE SPEEDOMETER SENSOR NOT TO BE USED WITH 4301954 SEAL O-RING NOT REQUIRED	
12	4301954	SENSOR SEAL		2		S-2119,S-2151
13	20226	PLUG-MECHANICAL	2237	1		S-1395,S-2119,S-2151
14	14142	-O- RING		1		S-1395,S-2119,S-2151
15	7992	BUSHING		1		S-2119,S-2151
16	X-8L-602	CAPSCREW		8	3/8"-16X1-1/2"	
18	20815	LIFTING EYE	17105	2		
19	17252	REAR BEARING COVER		2		
20	17386	GASKET		2		K-2199
21	X-8L-602	CAPSCREW		16	3/8"-16X1-1/2"	
21	X-8L-605	CAPSCREW		1	3/8"-16X3"	
21	X-8L-614	CAPSCREW		2	3/8"-16X2"	
22	19727	HOSE CLAMP		1		
23	S-1347	REAR HOUSING ASSY	17548 ,18736 ,18757 ,18784 ,19100	1		
24	14335	GASKET		1		K-1603,K-2199,S-1395



10304A-02-05

* Bushing quantity requirements: #1 Housing – Upper bore use 4 #12815 / Lower bore use 2 #8677.

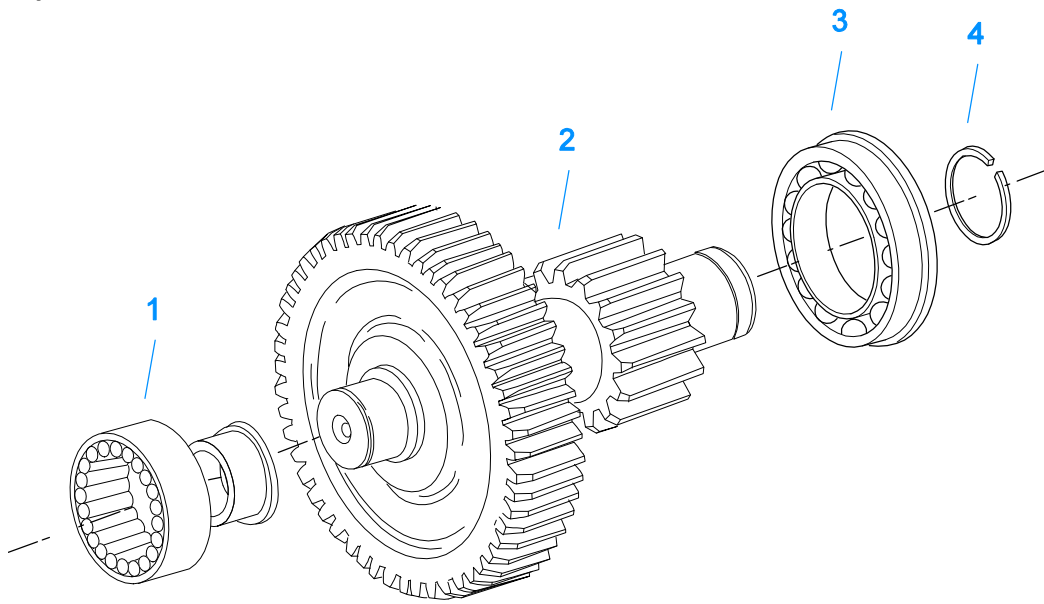
#2 Housing – Upper bore use 2 #12815 and 1 #8677 / Lower bore use 2 #8677.

Note: Some part requirements are specific to #1 or #2 Clutch Housings and Push or Pull type Clutch.

CASE (FRONT)

Item	Current Part	Description	Replaced Part	Qty.	Notes	Kits/Assys Where Needed
1	S-1412	NO LONGER AVAILABLE	19256	1		
2	X-12-2007	PIPE PLUG	X12 2006	1		
3	X-12-1207	PIPE PLUG	X12 1202 ,X12 1206	1	3/4" MAGNETIC	
4	4305310	GASKET	4302810	1		K-2199
5	4302809	PTO COVER	16596 ,4300571	1		
6	X-8-725	CAPSCREW	X 8 724	8	7/16"-14X7/8"	
7	4306584	CLUTCH HOUSING GASKET	4304815,4305668	1		K-2199
8	A-3713	CLUTCH HOUSING ASSY	A - 3700	1	#1 PUSH-PULL IRON	
8	A-3723	CLUTCH HOUSING ASSY	A - 3721 ,A - 3722	1	#2 PUSH-PULL IRON	
8	A-4772	CLUTCH HOUSING ASSY	A - 4344 ,A - 4771	1	#2 PUSH-PULL ALUM.	
8	A-6064	CLUTCH HOUSING ASSY	A - 4342 ,A - 4770 ,A - 6062 ,A - 6063 ,A - 6065	1	#1 PUSH-PULL ALUM.	
9	239614	SCREW	X-8L-509	4	5/16-18X.81 QUANTITY DEPENDENT ON DESIGN	
10	14506	HAND HOLE COVER		1	#2 PUSH	
10	14507	HAND HOLE COVER		1	#2 PULL	
10	4305230	HAND HOLE COVER	11453	1	#1 PULL	
10	4305231	HAND HOLE COVER	1565	1	#1 PUSH	
11	4306583	STUD	5966	6		
12	X-10-1005	WASHER	X 3 1000 ,X10 1000 ,X10 1004	6	1.23 X 6.60	
13	X-1-1012	HEX NUT	X-1-1005	6	.625-18	
14	14267	FRONT BRG. COVER		1	1-3/4" PULL	
14	15111	FRONT BRG. COVER		1	2" PULL	
14	18699	FRONT BRG. COVER		1	1-3/4" & 2" PULL W/SEAL	
14	20550	FRONT BRG COVER		1	2" PULL	K-1980
14	20552	FRONT BRG COVER		1	1-3/4" PULL	
15	X-8L-604	CAPSCREW		6	3/8"-16X1-1/4" USE 6 PCS WITH PULL TYPE COVER USE 4 PCS WITH PUSH TYPE COVER	
15	X-8L-619	CAPSCREW		2	3/8"-16X1-1/4" - USE WITH PUSH	

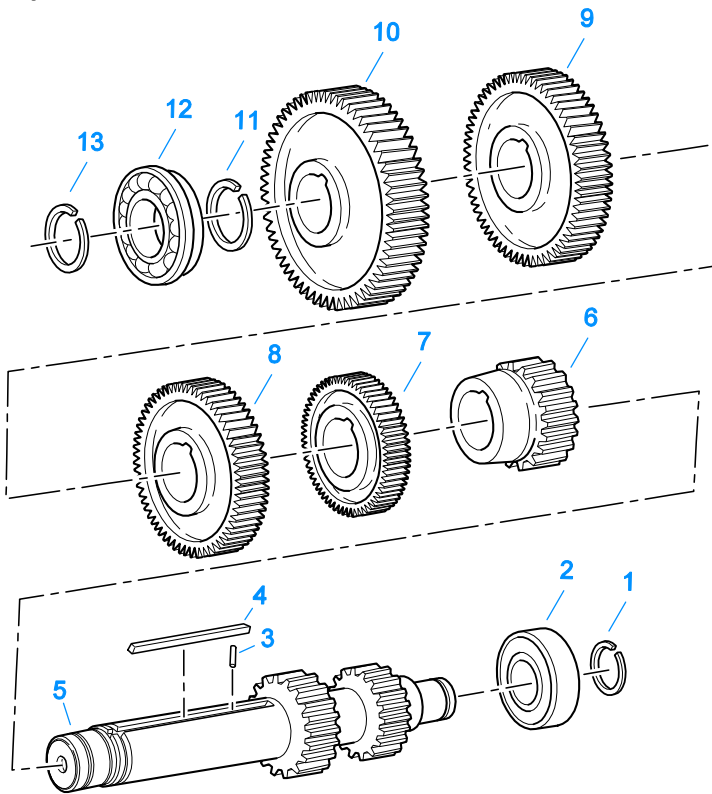
Item	Current Part	Description	Replaced Part	Qty.	Notes	Kits/Assys Where Needed
					TYPE COVER	
16	14994	FRONT BRG. COVER		1	2" PUSH	
16	15113	FRONT BRG. COVER		1	1-3/4" & 2" PUSH W/SEAL	
16	20549	FRONT BRG COVER		1	2" PUSH	
16	20551	FRONT BRG. COVER		1	1-3/4" PUSH	
16	S-1478	NO LONGER AVAILABLE		1	1-3/4" PUSH	
17	14311	GASKET		1		K-2199
18	12815	BUSHING		4	FOR #1 HOUSING - UPPER	A-3713,A-3723,A-4772,A-6064
18	12815	BUSHING		2	FOR #2 HOUSING - UPPER	A-3713,A-3723,A-4772,A-6064
18	8677	BUSHING		1	FOR #2 HOUSING - UPPER	A-3713,A-3723,A-4772,A-6064
19	8677	BUSHING		3	FOR #1 AND #2 HOUSING - LOWER	A-3713,A-3723,A-4772,A-6064
20	X-8C-830	HEX HEAD SCREW/WASHER ASSY	X-8C-826	4	.500-13 X 1.490, USE 2 PCS FOR IRON HOUSING, USE 4 PCS FOR ALUMINUM HOUSING	
20	X-8C-831	HEX HEAD SCREW/WASHER ASSY	X-8C-822	2	.500-13 X 3.460, FOR IRON HOUSING	
22	X-8-686	CAPSCREW		6	3/8"-16X3/4"	
23	14575	PTO COVER	4302254	1		
24	4305309	GASKET	1684	1		K-2199
27	14373	MAGNET		3		
28	14334	DOWEL		2		
29	X-1-1012	HEX NUT		2	.625-18	
30	X-10-1005	WASHER	X 3 1000 ,X10 1000 ,X10 1004	2	1.23 X 6.60	
31	14554	STUD	1632 ,6579	2	5/8" X 2-3/16"	
36	23104	PLUG	1712	2		
37	X-8-1005	CAPSCREW		2	5/8"-11X1-1/4"	
38	20814	SPACER		2		
39	X-12-802	PIPE PLUG	X12 800	1	1/2"	
40	12581	OIL SEAL		1	USE W/15113 COVER ONLY	
41	16976	SEAL		1	1-3/4"	
41	16977	SEAL		1	2"	



10442-4/92 Aux CS

COUNTERSHAFT & BRGS(AUX)

Item	Current Part	Description	Replaced Part	Qty.	Notes	Kits/Assys Where Needed
1	8879	BEARING		2		K-1866,K-1980,S-1395
2	A-4659	WELDED COUNTERSHAFT ASSY		2	C/S 19278 - D/G 19276	
3	81012	BEARING		2		K-1866,K-1980
4	11364	SNAP RING		2		K-1803,K-1866,K-1980

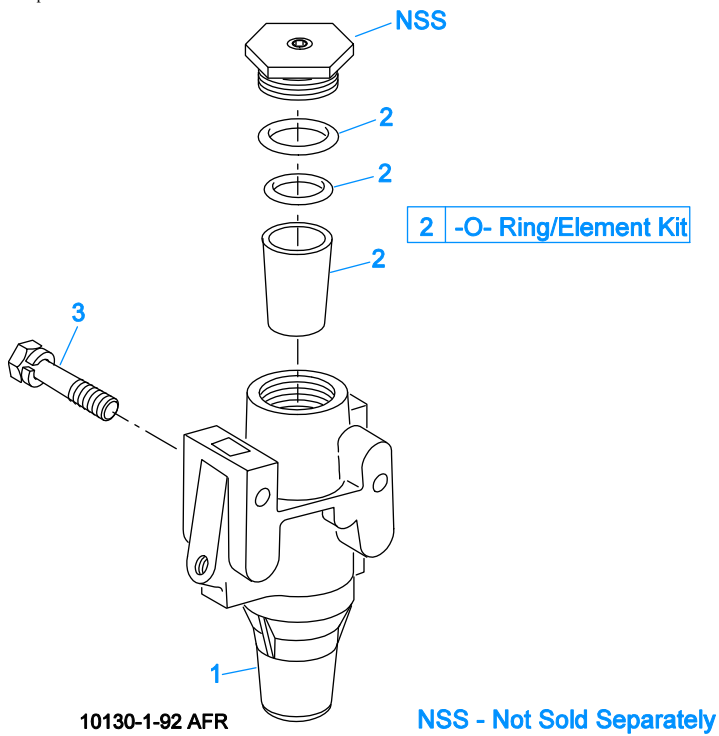


10344-12-93 CS

COUNTERSHAFT ASSY

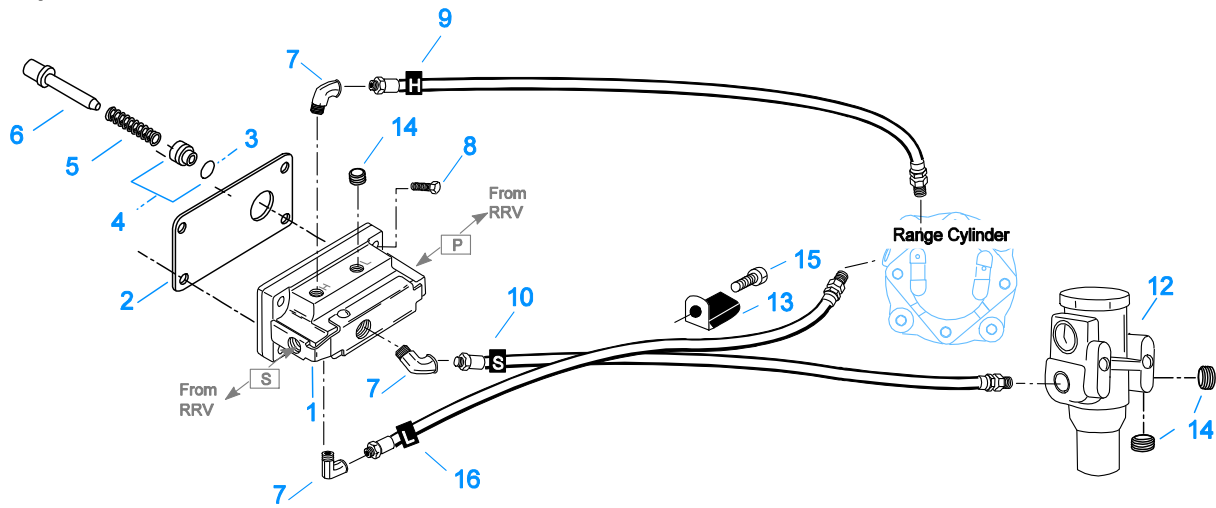
Item	Current Part	Description	Replaced Part	Qty.	Notes	Kits/Assys Where Needed
1	14317	SNAP RING		2		K-1803,K-1866,K-1980
2	14366	BEARING		2		K-1866,K-1980
3	62511	ROLL PIN		2		S-1781
4	16664	KEY		2		
5	20134	COUNTERSHAFT		2		
6	4300293	1ST GEAR-CNTRSHFT	19178	2		
7	19613	2ND GEAR-CNTRSHFT		2		
8	4300289	OD GEAR-CNTRSHFT	19181	2		
9	14307	NO LONGER AVAILABLE		1		
9	14886	NO LONGER AVAILABLE		1		
9	14905	NO LONGER AVAILABLE		2		
10	4300287	DRIVE GEAR-CNTRSHFT	20133	2		
11	20085	SNAP RING		2		K-1866,K-1980
12	81022	BALL BEARING	5566509	2		K-1866,K-1980
13	15253	SNAP RING		2		K-1866,K-1980

Group: FILTER REGULATOR



FILTER REGULATOR

Item	Current Part	Description	Replaced Part	Qty.	Notes	Kits/Assys Where Needed
1	A-4740	FILTER/REGULATOR	19600	1		
2	K-1698	-O- RING/ELEMENT KIT		1	FOR FILTER REGULATOR	
3	X-8C-412	CAPSCREW	X 8S 412	2	1/4"-20X2-1/4"	

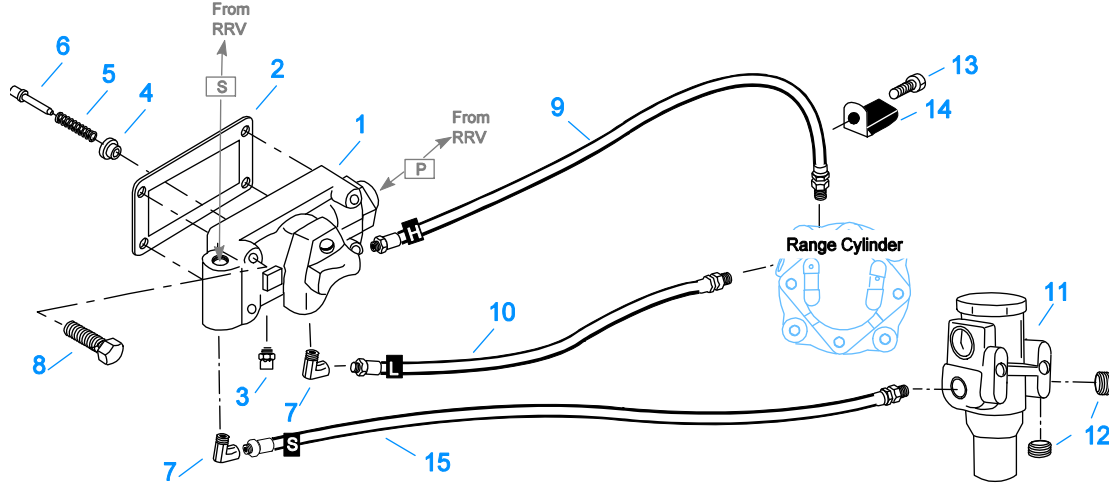


10111E-6/93 19470 HC

H & C W/19470 VALVE

Item	Current Part	Description	Replaced Part	Qty.	Notes	Kits/Assys Where Needed
1	K-2424	VALVE REPLACEMENT KIT	19470	1		
2	19481	GASKET		1		K-1963,K-2199,K-2424
3	19462	-O- RING	14033	1		A-4688,K-1699,K-1969
4	K-1969	SLEEVE KIT	14362 19460 ,21446	1	FOR SLAVE VALVES	K-1963
5	21268	SPRING	19572	1		K-1963
6	20490	PIN	19459	1		K-1963
7	12845	ELBOW		3	1/8"	K-1963
8	X-8C-401	CAPSCREW		4	1/4"-20X1-1/8"	
9	55523	HOSE ASSY		1	29"	
10	55523	HOSE ASSY		1	29"	
12	A-4740	FILTER/REGULATOR	19600	1		
13	19779	HOSE CLAMP		1		
14	X-12-208	PIPE PLUG		3	1/8" NPT	
15	X-8L-601	CAPSCREW		1	3/8"-16X3/4"	
16	55524	HOSE ASSY		1	27"	

Group: H & C W/A-4688 VALVE

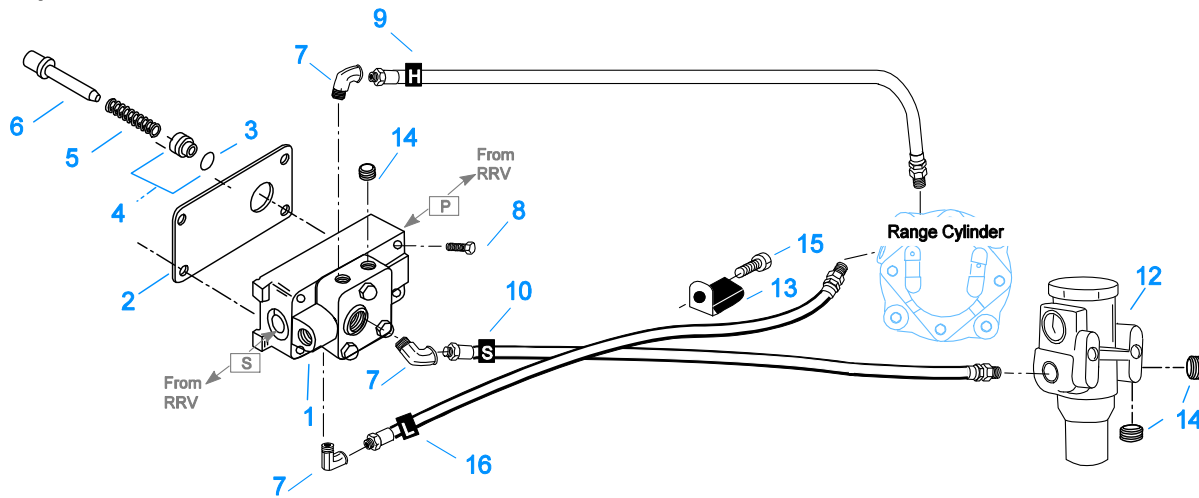


10112A-3-94 A-4688 HC

H & C W/A-4688 VALVE

Item	Current Part	Description	Replaced Part	Qty.	Notes	Kits/Assys Where Needed
1	A-4688	SLAVE VALVE ASSY	15125 ,19464 ,A - 3991	1		
2	15758	GASKET		1		K-1699,K-2199
3	X2014210	BREATHER	7935	1		
4	K-1969	SLEEVE KIT	14362 19460 ,21446	1	FOR SLAVE VALVES	K-1963
5	6392	SPRING		1		
6	14361	PIN		1		
7	12845	ELBOW		2	1/8"	K-1963
8	X-8L-411	CAPSCREW	X 8 411	4	1/4"-20X1-3/4"	
9	55523	HOSE ASSY		1	29"	
10	55523	HOSE ASSY		1	29"	
11	A-4740	FILTER/REGULATOR	19600	1		
12	X-12-208	PIPE PLUG		2	1/8" NPT	
13	X-8L-614	CAPSCREW		1	3/8"-16X2"	
14	19779	HOSE CLAMP		1		
15	55518	HOSE ASSY		1	32"	

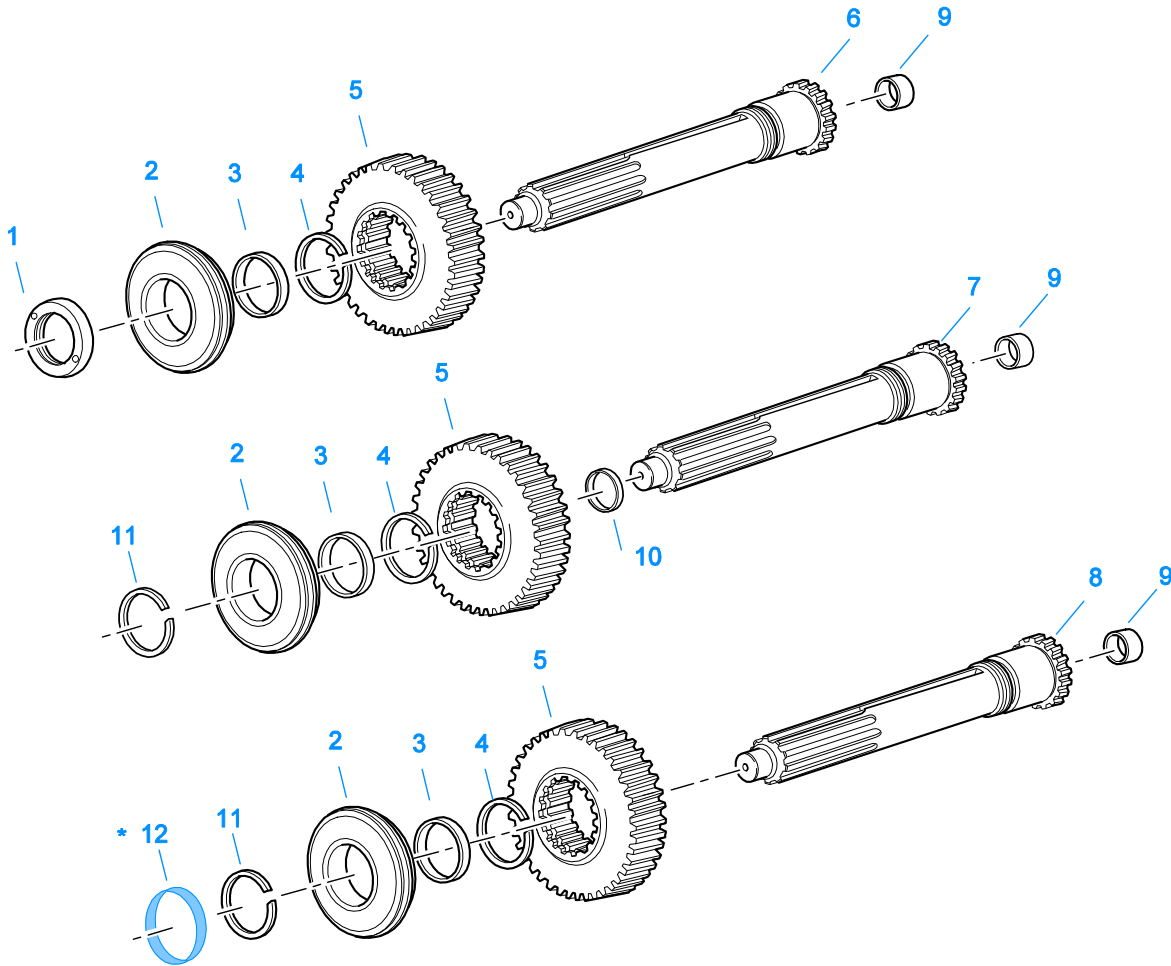
Group: H & C W/A-5000 VALVE



10110E-6-93 A-5000 HC

H & C W/A-5000 VALVE

Item	Current Part	Description	Replaced Part	Qty.	Notes	Kits/Assys Where Needed
1	A-5000	SLAVE VALVE ASSY	20850	1		K-1963,K-2424
2	19481	GASKET		1		K-1963,K-2199,K-2424
3	19462	-O- RING	14033	1		A-4688,K-1699,K-1969
4	K-1969	SLEEVE KIT	14362 19460 ,21446	1	FOR SLAVE VALVES	K-1963
5	21268	SPRING	19572	1		K-1963
6	20490	PIN	19459	1		K-1963
7	12845	ELBOW		3	1/8"	K-1963
8	X-8C-411	CAPSCREW		4	1/4"-20X1-3/4"	
9	55523	HOSE ASSY		1	29"	
10	55523	HOSE ASSY		1	29"	
12	A-4740	FILTER/REGULATOR	19600	1		
13	19779	HOSE CLAMP		1		
14	X-12-208	PIPE PLUG		3	1/8" NPT	
15	X-8L-601	CAPSCREW		1	3/8"-16X3/4"	
16	55524	HOSE ASSY		1	27"	



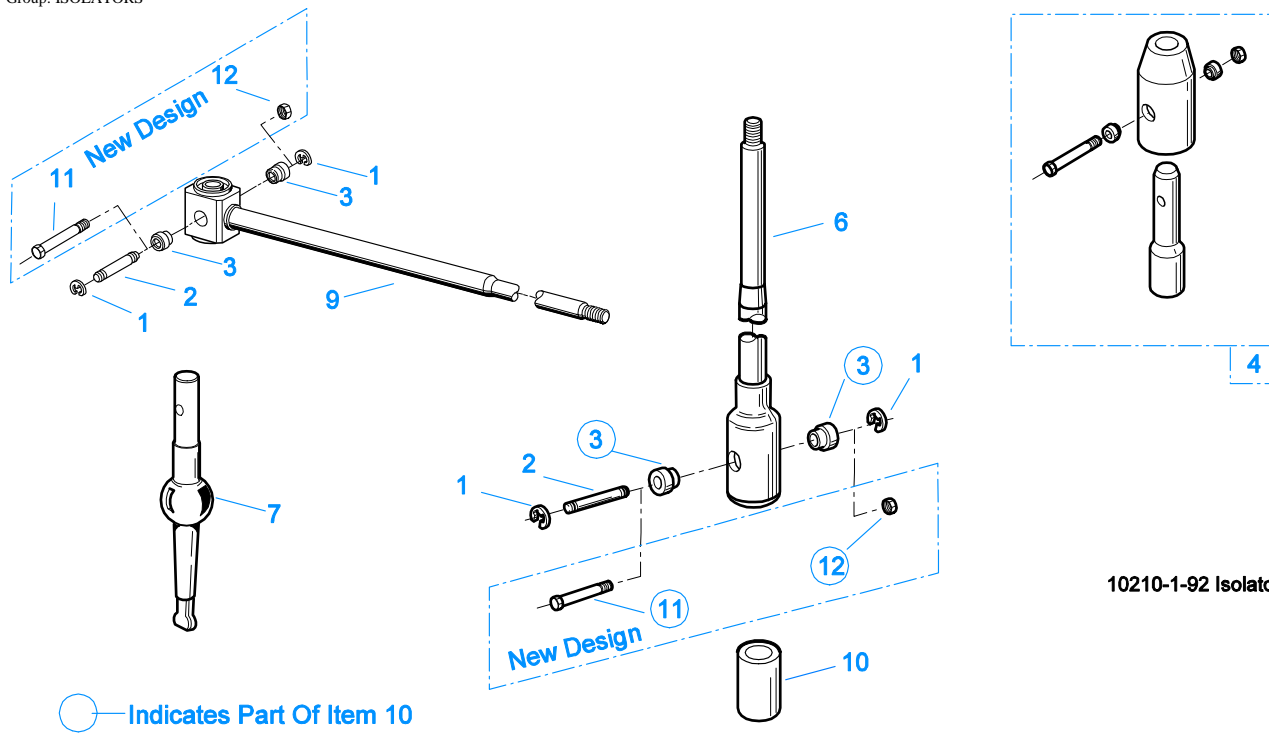
10372-5/93 IS (3)

* For Shipping Only -- Do Not Replace

INPUT SHAFT & DRIVE GEAR

Item	Current Part	Description	Replaced Part	Qty.	Notes	Kits/Assys Where Needed
1	11466	NUT		1	USE W/15112 SHAFT	
1	8858	NUT		1	PUSH	
1	8997	NUT		1	PULL	
2	81504	BEARING		1		K-1866,K-1980
3	16396	SPACER		1		
4	14289	SNAP RING		1		K-1803,K-1866,K-1980
5	23138	MAIN DRIVE GEAR		1		K-2321
5	K-2321	UPDATE KIT	14654 ,19168 ,19182	1		
6	14660	INPUT SHAFT		1	1-3/4" PUSH - USE W/FBC 14370	S-1130
6	14661	INPUT SHAFT		1	1-3/4" PULL - USE W/FBC 14267	S-1131
6	14995	NO LONGER AVAILABLE		1	2" PUSH - USE W/FBC 14994	S-1132
6	15110	INPUT SHAFT		1	2" PULL - USE W/FBC 15111	S-1133
6	15112	NO LONGER AVAILABLE		1	2" PUSH W/SEAL - USE W/FBC 15113	
7	S-1343	INPUT SHAFT ASSY	16983	1	1-3/4" PULL W/SEAL - USE W/FBC 18699	
7	S-1344	INPUT SHAFT ASSY	16984	1	2" PULL W/SEAL - USE W/FBC 18699	
8	S-1661	INPUT SHAFT ASSY	20540 23569 ,691518	1	2" PULL - USE W/FBC 20550	K-1980
8	S-1662	INPUT SHAFT ASSY	20541 ,23570 ,4300430 ,S - 1507	1	2" PUSH - USE W/FBC 20549	
8	S-2916	INPUT SHAFT ASSY	20530 ,4304354	1	1-3/4" PUSH	
8	S-2917	INPUT SHAFT ASSY	20531 ,4304355	1	1-3/4" PULL	
9	16566	BUSHING		1		S-1130,S-1131,S-

Item	Current Part	Description	Replaced Part	Qty.	Notes	Kits/Assys Where Needed
10	16978	SLEEVE		1	2" W/SEAL	1132,S-1133,S-1343,S-1344,S-1661,S-1662
10	16979	WEAR SLEEVE		1	1-3/4" W/SEAL	S-1344
11	16980	SNAP RING		1		S-1343
12	23559	SHIPPING SEAL		1	NOT SOLD FOR SERVICE	K-1980



10210-1-92 Isolator

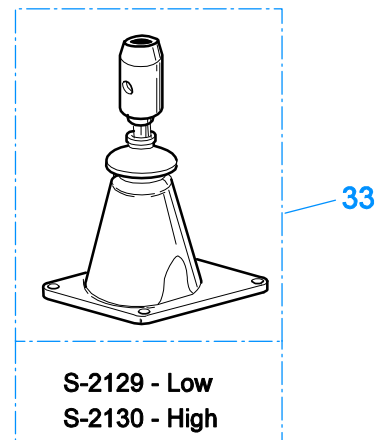
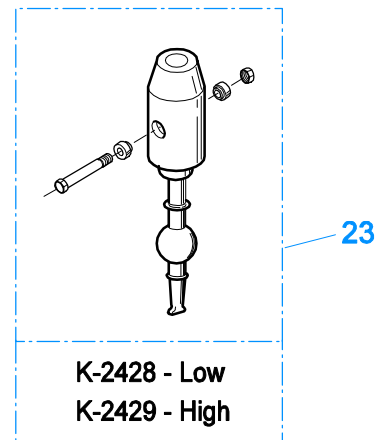
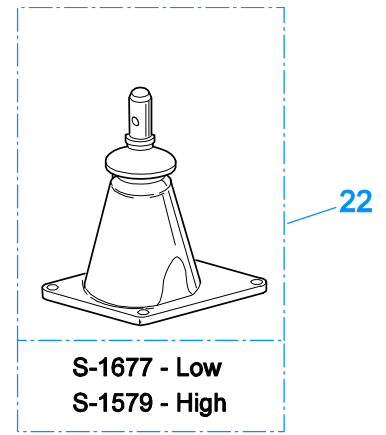
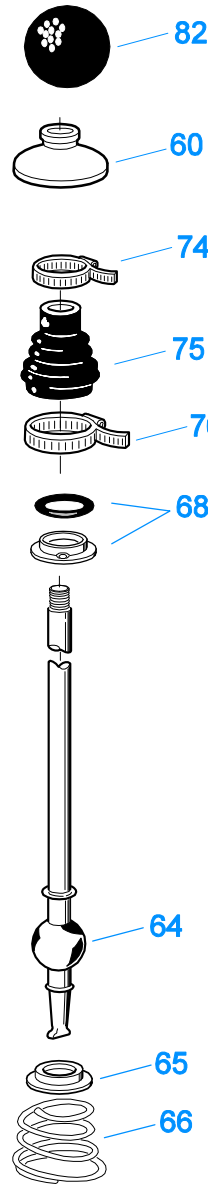
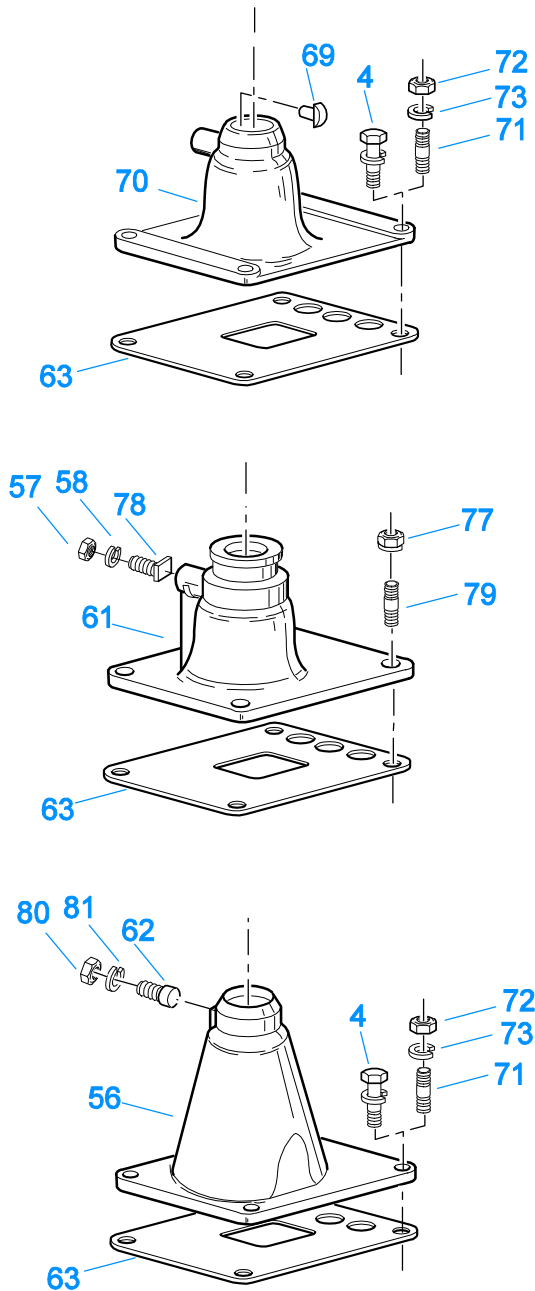
ISOLATORS

Item	Current Part	Description	Replaced Part	Qty.	Notes	Kits/Assys Where Needed
1	19124	-E- RING		2		
2	K-3467	PIN REPLACEMENT KIT	21245	1		
3	21246	BUSHING		2		K-2003,K-2428,K-2429,K-3399,S-2129,S-2130
4	S-1794	ISOLATOR ASSY		1		
6	21247	LEVER		1	STRAIGHT 18.67"	
7	21235	STUB LEVER		1	LOW TOWER	K-2428,S-1677
7	21236	STUB LEVER		1	HIGH TOWER	K-2429,S-1579,S-2130
9	21767	90 DEG LEVER		1	STRAIGHT 33"	
10	K-3399	ISOLATOR BUSHING KIT	21244 ,23311	1		
11	X-8-560	SCREW		1		
12	X-9-503	NUT		1		

KITS & ASSEMBLIES

Item	Current Part	Description	Replaced Part	Qty.	Notes	Kits/Assys Where Needed
K-1431		RANGE CYL-KIT		1		
K-1432		CYL KIT-RANGE		1		
K-1450		-O- RING KIT-RANGE		1		K-1866,K-1980
K-1476		SHIFT LEVER HSG	4530 ,17163 ,18298 ,4304905 ,A - 4437	1	LOW TOWER	
K-1546		REPL KIT-MAINSHAFT	15948 ,18134	1		
K-1566		VALVE REPAIR KIT		1	FOR A-3546 VALVE	
K-1603		GASKET KIT		1	FOR AUXILIARY SECTION	
K-1613		CAP REPLACEMENT KIT	16429 ,18707	1	FOR A-4688 VALVE	
K-1631		SHIFT LEVER HSG	14456 ,17168 ,4304327	1	LOW	
K-1644		QUILL REPLACEMENT KIT	16833 ,16834	1		
K-1698		-O- RING/ELEMENT KIT		1	FOR FILTER REGULATOR	
K-1699		REPAIR KIT-SLAVE VALVE		1	FOR A-4688 VALVE	
K-1702		OIL COOLER KIT		1		
K-1706		PUMP INSTALLATION KIT		1		
K-1711		COLLAR KIT	19404	1		
K-1803		SMALL PARTS KIT		1		
K-1866		BASIC REBUILD KIT		1		
K-1921		MASTER VALVE REPAIR KIT		1	FOR A-6909 & A-5010 VALVES	
K-1935		REPAIR KIT-SLAVE VALVE		1	FOR A-5000 VALVE	
K-1956		COOLER INSTLN KIT		1		
K-1963		SLAVE VLV CONVERSION KI		1	CONVERTS A-4688 TO A-5000 VALVE	
K-1969		SLEEVE KIT	14362 19460 ,21446	1	FOR SLAVE VALVES	K-1963
K-1980		BASIC OVERHAUL KIT		1		
K-2003		PIN & BUSHING KIT		1		
K-2010		VALVE CONVERSION KIT		1	FOR A-5010 VALVE	
K-2199		GASKET KIT		1		K-1866,K-1980
K-2256		OIL SEAL KIT	14337 ,19109 ,21036	1		
K-2262		OIL SEAL W/SLINGER	19109 ,20807 ,20808	1	"FOR MECHANICAL COVER"	
K-2311		REPL KIT-DRIVE GEAR	19275 ,4300466	1		
K-2321		UPDATE KIT	14654 ,19168 ,19182	1		
K-2361		KEY & WASHER KIT	19314	1	CONTAINS 3-SIDED KEY	
K-2394		AIR SYSTEMS TOOL KIT		1		
K-2424		VALVE REPLACEMENT KIT	19470	1		
K-2428		LEVER REPLACEMENT KIT		1	LOW TOWER	
K-2429		LEVER REPLACEMENT KIT		1	HIGH TOWER	
K-2973		SHIFT LEVER HSG KIT	17166 ,17167 ,4303050 ,4304910 ,K - 1630 K - 1941	1	HIGH TOWER	
K-3217		IDLER SHAFT REPL KIT	4302981	1		
K-3399		ISOLATOR BUSHING KIT	21244 ,23311	1		
K-3467		PIN REPLACEMENT KIT	21245	1		
K-3491		SYNCHRONIZER KIT	K - 2445	1	LO RANGE / SMALL PIN	
K-3492		SYNCHRONIZER KIT	K - 2446	1	LO RANGE / LARGE PIN	
K-3494		SYNCHRONIZER REPLACEMENT KIT	K - 2448	1	SLIDING CLUTCH INCLUDED IN KIT	
K-3651		OIL SEAL TOOL KIT		1		
S-1130		INPUT SHAFT ASSY	14660	1	1-3/4" PUSH	
S-1131		INPUT SHAFT ASSY	14661	1	1-3/4" PULL	
S-1132		INPUT SHAFT ASSY	14995	1	2" PUSH	
S-1133		INPUT SHAFT ASSY	15110	1	2" PULL	
S-1343		INPUT SHAFT ASSY	16983	1	1-3/4" PULL W/ SEAL	
S-1344		INPUT SHAFT ASSY	16984	1	2" PULL W/ SEAL	
S-1347		REAR HOUSING ASSY	17548 ,18736 ,18757 ,18784 ,19100	1		
S-1395		RANGE SECTION ASSY		1		
S-1395R		REMAN RANGE SECTION ASSY		1		
S-1404		OIL FILTER	17238	1		

Item	Current Part	Description	Replaced Part	Qty.	Notes	Kits/Assys Where Needed
S-1516		CAP ASSY	20851 ,20853	1	FOR A-5000 VALVE	
S-1661		INPUT SHAFT ASSY	20540 23569 ,691518	1	2" PULL	K-1980
S-1662		INPUT SHAFT ASSY	20541 ,23570 ,4300430 ,S - 1507	1	2" PUSH	
S-1781		MAINSHAFT ASSY	4300285 ,S - 1551	1		
S-1794		ISOLATOR ASSY		1		
S-2119		REAR BRG COVER ASSY	20048 ,22045 ,4302009 ,4302031 ,S - 1558 S - 1560	1	EXTENDED	
S-2129		SHIFT LEVER HSG ASSY		1	LOW TOWER	
S-2130		SHIFT LEVER HSG ASSY	S - 2053	1	HIGH TOWER	
S-2151		REAR BRG COVER ASSY	S - 1429	1		
S-2558		ROADRANGER VALVE ASSY	A - 5035	1	RTO - W/SHIFT DIAGRAM MEDALLION	
S-2916		INPUT SHAFT ASSY	20530 ,4304354	1	1-3/4" PUSH	
S-2917		INPUT SHAFT ASSY	20531 ,4304355	1	1-3/4" PULL	

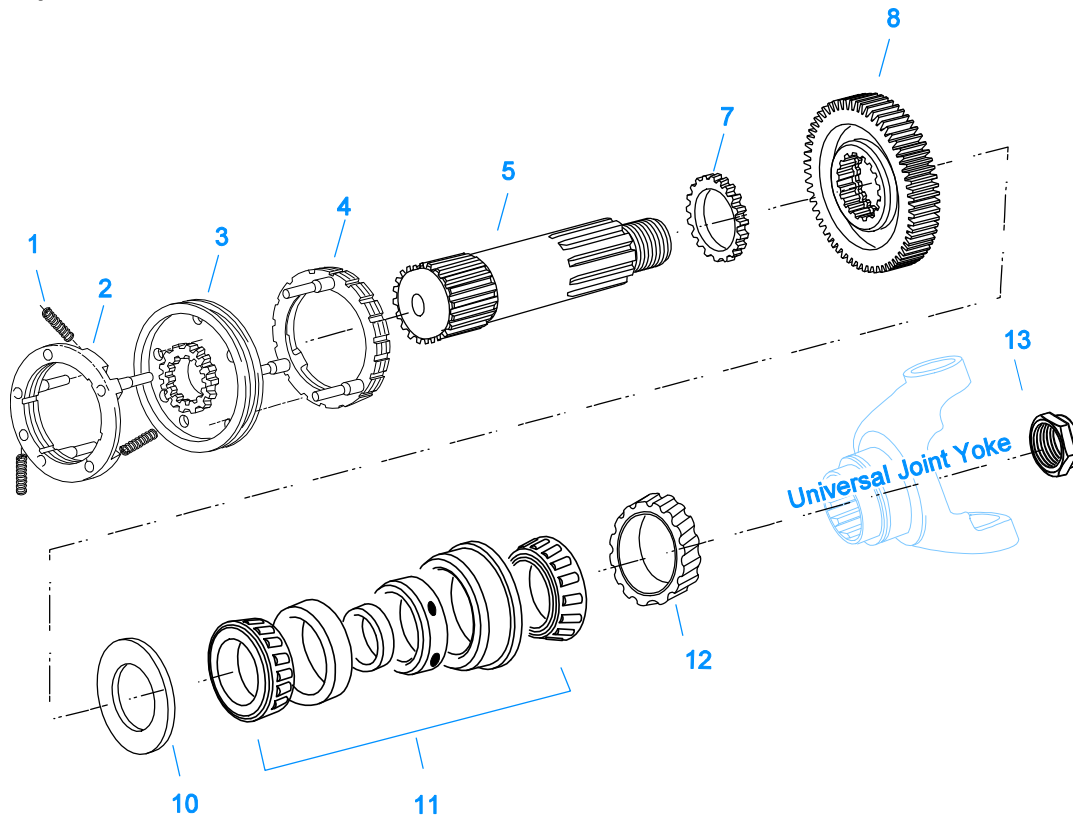


10203-6-94

LEVERS/HOUSINGS

Item	Current Part	Description	Replaced Part	Qty.	Notes	Kits/Assys Where Needed
4	X-8C-604	CAPSCREW		4	3/8"-16X1-1/4"	
23	K-2428	LEVER REPLACEMENT KIT		1	LOW TOWER	
23	K-2429	LEVER REPLACEMENT KIT		1	HIGH TOWER	
24	S-1579	SHIFT TOWER ASSY		1	HIGH TOWER	
24	S-1677	SHIFT TOWER ASSY		1	LOW TOWER	
33	S-2129	SHIFT LEVER HSG ASSY		1	LOW TOWER	
33	S-2130	SHIFT LEVER HSG ASSY	S - 2053	1	HIGH TOWER	
56	K-2973	SHIFT LEVER HSG KIT	17166 ,17167 ,4303050	1	HIGH TOWER	

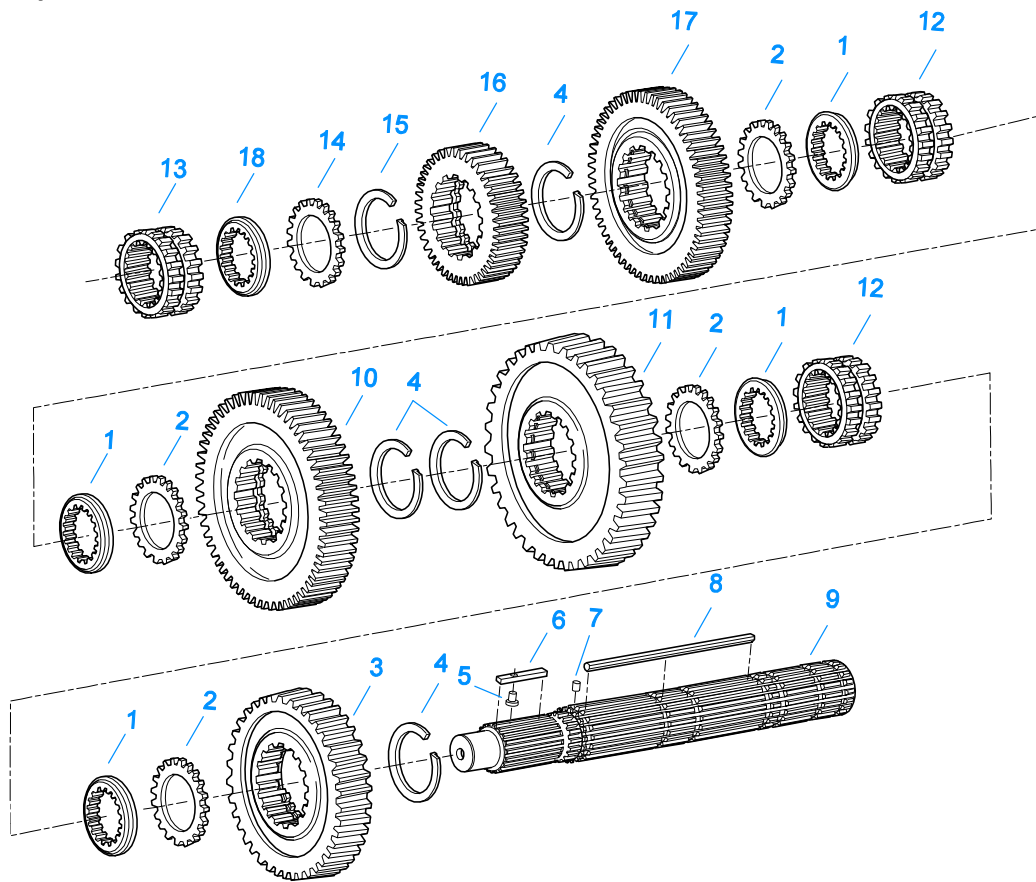
Item	Current Part	Description	Replaced Part	Qty.	Notes	Kits/Assys Where Needed
			,4304910 ,K - 1630 K - 1941			
57	X-1-500	NUT		1	5/16"-24	
58	X-3-500	LOCKWASHER		1	5/16"	
60	10427	BOOT		1		K-1476,K-2973,S-1579,S-1677,S-2130
61	K-1631	SHIFT LEVER HSG	14456 ,17168 ,4304327	1	LOW, USE W/14795 BOOT	
62	6541	PIN		1	3/8"	
63	4305294	GASKET	4303431	1		K-1476,K-1631,K-1702,K-2199,K-2428,K-2429,K-2973,S-1579,S-1677,S-2129,S-2130
64	17600	GEAR SHIFT LEVER		1	STRAIGHT - LOW 21-1/2"	
64	18482	GEAR SHIFT LEVER		1	STRAIGHT - HIGH 35"	
65	2538	RETAINER		1		K-1476,K-2973,S-1579,S-1677,S-2130
66	2536	SPRING		1		K-1476,K-2973,S-1579,S-1677,S-2130
68	K-3376	O-RING & WASHER KIT	4301211	1		
69	18299	PIN		1		K-1476,S-1677
70	K-1476	SHIFT LEVER HSG	4530 ,17163 ,18298 ,4304905 ,A - 4437	1	LOW TOWER	
71	11934	STUD	7467	4		
72	X-1-600	NUT		4	3/8"-24-N.F.PLAIN	
73	X-3-600	LOCKWASHER		4	3/8"	
74	14453	CLAMP		1		
75	14795	BOOT		1		
76	14454	CLAMP		1		
77	X-1-604	NUT		4	3/8"-24	
78	14461	PIN		1		
79	14236	NO LONGER AVAILABLE		4		
80	X-1-600	NUT		1	3/8"-24-N.F.PLAIN	
81	X-3-600	LOCKWASHER		1	3/8"	
82	17560	LEVER GRIP		1	1/2"-13	



10429-6-94 Aux MS

MAINSHAFT & SYNCHRO(AUX)

Item	Current Part	Description	Replaced Part	Qty.	Notes	Kits/Assys Where Needed
1	14897	SPRING		3		K-1803,K-1866,K-1980,K-3491,K-3492,K-3494
2	A-7331	SYNCHRONIZER ASSY	4304396 4304397 A - 5917	1	HI RANGE	K-3491,K-3492,K-3494
3	20323	SLIDING CLUTCH		1		K-3494
4	A-6153	SYNCHRONIZER ASSY	A - 4416	1	LO RANGE - SMALL PIN	K-3491
4	A-7254	SYNCHRONIZER ASSEMBLY	A - 4937 A - 5876	1	LO RANGE - LARGE PIN	K-3492,K-3494
5	19202	MAINSHAFT	4302460	1		
7	19203	SPACER		1		K-1803
8	19277	LO GEAR-MAINSHAFT		1		
10	16772	WASHER		1		K-1803
11	15260	BEARING		1		K-1866,K-1980
12	20191	ROTOR		1		
13	22254	NUT	11956	1		S-1395



10325-12-93 MS

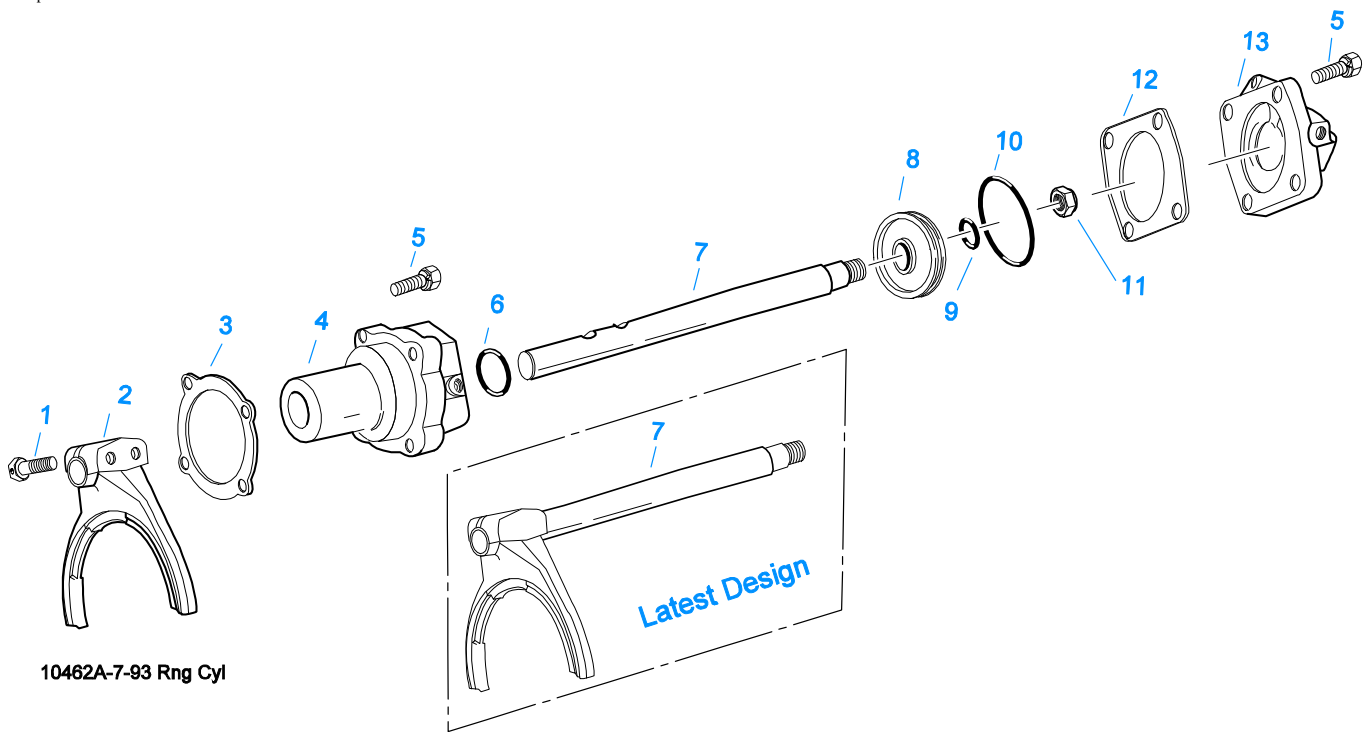
MAINSHAFT ASSY

Item	Current Part	Description	Replaced Part	Qty.	Notes	Kits/Assys Where Needed
1	14711	WASHER .248-.250 WHITE	18701	4		K-1803
1	14712	WASHER .253-.255 GREEN	18702	4		K-1803
1	14713	WASHER .258-.260 ORANGE	18703	4		K-1803
1	14714	WASHER .263-.265 PURPLE	18704	4		
1	14715	WASHER .268-.270 YELLOW	18705	4		
1	14716	WASHER .273-.275 BLACK	18706	4		
1	4300382	WASHER .249-WHITE		4	OPTIONAL 4300382-4300387 OR 4300830 USE WITH 3-SIDED KEY	K-2361
1	4300383	WASHER .254-GREEN		4	OPTIONAL 4300382-4300387 OR 4300830 USE WITH 3-SIDED KEY	K-2361
1	4300384	WASHER .259-ORANGE		4	OPTIONAL 4300382-4300387 OR 4300830 USE WITH 3-SIDED KEY	K-2361
1	4300385	WASHER .264-PURPLE		4	OPTIONAL 4300382-4300387 OR 4300830 USE WITH 3-SIDED KEY	
1	4300386	WASHER .269-YELLOW		4	OPTIONAL 4300382-4300387 OR 4300830 USE WITH 3-SIDED KEY	
1	4300387	WASHER .274-BLACK		4	OPTIONAL 4300382-4300387 OR 4300830 USE WITH 3-SIDED KEY	
1	4300830	WASHER .244-BLUE		4	OPTIONAL 4300382-4300387 OR 4300830 USE WITH 3-SIDED KEY	K-2361
2	14749	SPACER		4		K-1803
3	19313	REVERSE GEAR-MAINSHAFT		1		
4	14750	SNAP RING		4		K-1803
5	14832	PIN		1		A-3456
6	A-3456	KEY & PIN ASSY	14884	1		K-1803

Item	Current Part	Description	Replaced Part	Qty.	Notes	Kits/Assys Where Needed
7	62511	ROLL PIN		1		S-1781
8	4300975	3-SIDED KEY		1	MUST USE MATCHING WASHERS CONTAINS 3-SIDED KEY	K-2361
8	K-2361	KEY & WASHER KIT	19314	1		
9	S-1781	MAINSHAFT ASSY	4300285 ,S - 1551	1		
10	4300292	1ST GEAR-MAINSHAFT	19177	1		
11	4300294	LO GEAR-MAINSHAFT	19082	1		
12	14709	SLIDING CLUTCH		2		
13	23139	SLIDING CLUTCH		1		K-2321
13	K-2321	UPDATE KIT	14654 ,19168 ,19182	1		
14	14273	SPACER		1		K-1803
15	14289	SNAP RING		1		K-1803,K-1866,K-1980
16	4300297	OD GEAR-MAINSHAFT	23140	1		K-2321
16	K-2321	UPDATE KIT	14654 ,19168 ,19182	1		
17	4300290	2ND GEAR-MAINSHAFT	19612	1		
18	14274	WASHER .248-.250 WHITE	18717	1		K-1803
18	14276	WASHER .258-.260 ORANGE	18719	1		
18	14277	WASHER .263-.265 PURPLE	18720	1		
18	14278	WASHER .268-.270 YELLOW	18721	1		
18	14279	WASHER .273-.275 BLACK	18722	1		
18	4300512	WASHER .253-.255 GREEN	14275 ,18718	1		

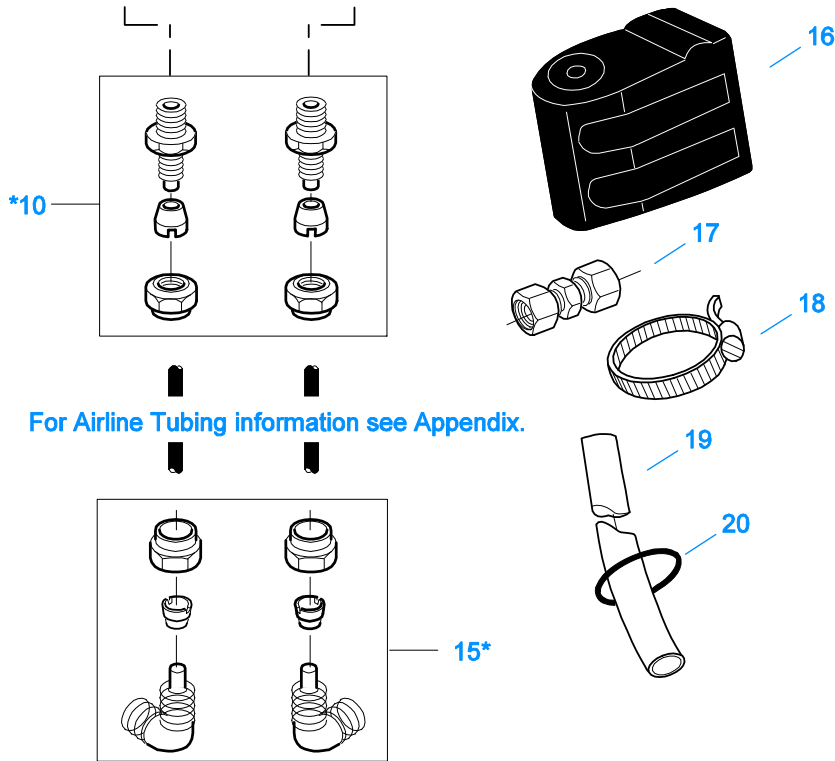
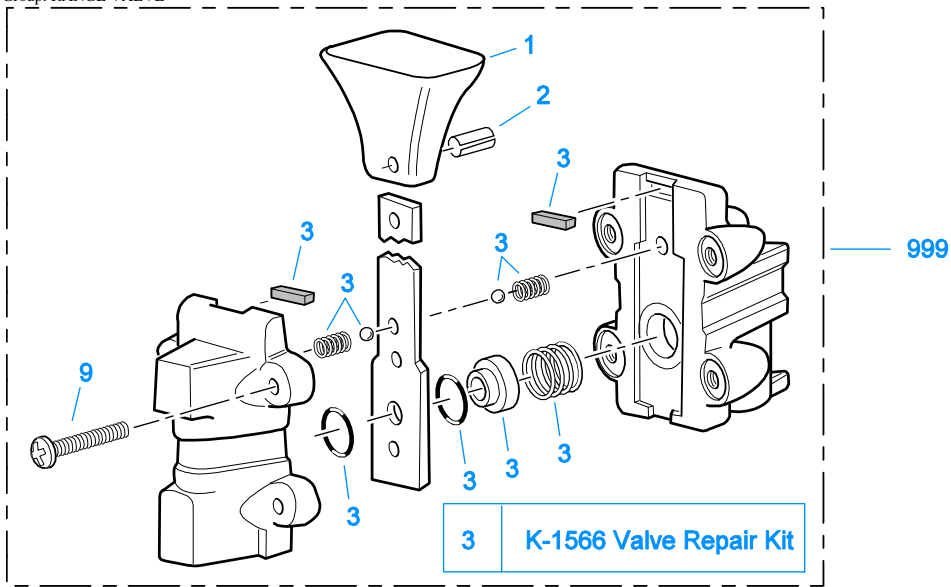
MISCELLANEOUS

Item	Current Part	Description	Replaced Part	Qty.	Notes	Kits/Assys Where Needed
20394		NO LONGER AVAILABLE		1		
21075		WARNING LABEL		1		
71203		SILICONE LUBE		1	8 OZ (236.59 CC)-FLEET SIZE	
71204		ADHESIVE SEALANT		1	0.5 CC (SINGLE APPLICATION SIZE)	
71205		SEALANT		1	2 CC (SINGLE APPLICATION SIZE)	K-1702,K-1980
71206		SILICONE LUBE		1	4 CC (SINGLE APPLICATION SIZE)	K-1431,K-1432,K-1450,K-1566,K-1699,K-2428,K-2429



RANGE CYLINDER

Item	Current Part	Description	Replaced Part	Qty.	Notes	Kits/Assys Where Needed
1	X-7-809	BOLT	X 7 810 ,X 7 811	2	1/2"-20X1-3/4"	
2	22823	SHIFT YOKE	16775	1		
3	14347	GASKET		1		K-1431,K-1432,K-1603,K-2199
4	16778	AUXILIARY CYLINDER		1		K-1431
5	X-8L-604	CAPSCREW		8	3/8"-16X1-1/4"	
6	14765	-O- RING		1		K-1431,K-1432,K-1450
7	19652	YOKE BAR	16773	1		
7	A-6160	WELDED YOKE ASSY		1		
8	14341	PISTON	23353	1		K-1431,K-1432
9	14345	-O- RING		1		K-1431,K-1432,K-1450
10	14344	-O- RING		1		K-1431,K-1432,K-1450
11	X-1-1010	NUT		1	5/8"-18	
12	14349	GASKET		1		K-1431,K-1432,K-1450,K-1603,K-2199
13	19690	CYLINDER COVER		1		



For Airline Tubing information see Appendix.

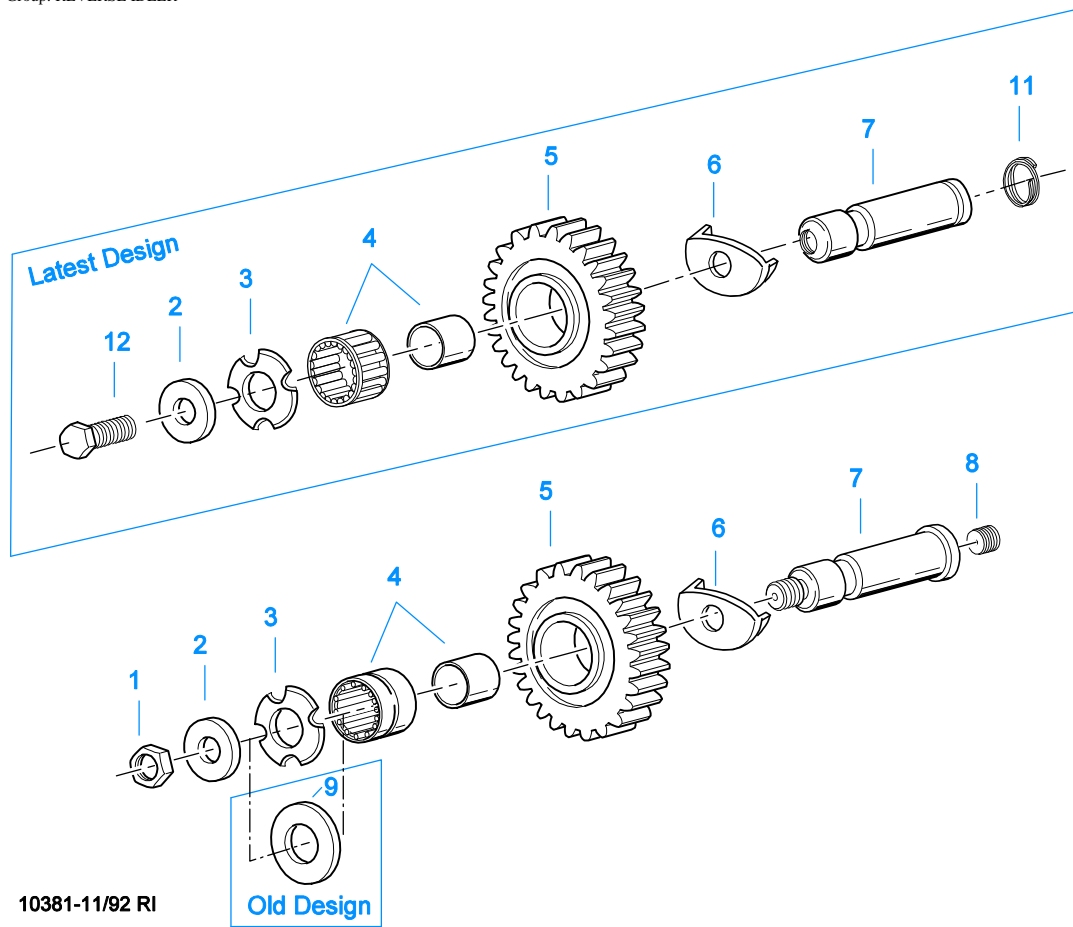
*For Connector and Elbow Assy component information see Appendix

10099-5/93 AV

RANGE VALVE

Item	Current Part	Description	Replaced Part	Qty.	Notes	Kits/Assys Where Needed
1	15120	KNOB		1		A-3546
2	62512	ROLL PIN		1		A-3546
3	K-1566	VALVE REPAIR KIT		1	FOR A-3546 VALVE	
9	X-13-214	SCREW		4	8-32X3/4"	
10	84002	CONNECTOR ASSY	82502	2	1/8" TUBE-1/8" NPTF	K-1963, K-1980
10	84004	CONNECTOR ASSY	82504	2	5/32" TUBE-1/8" NPTF	
10	84006	CONNECTOR ASSY		2	"PUSH-TO-CONNECT" 5/32" TUBE-	K-2010

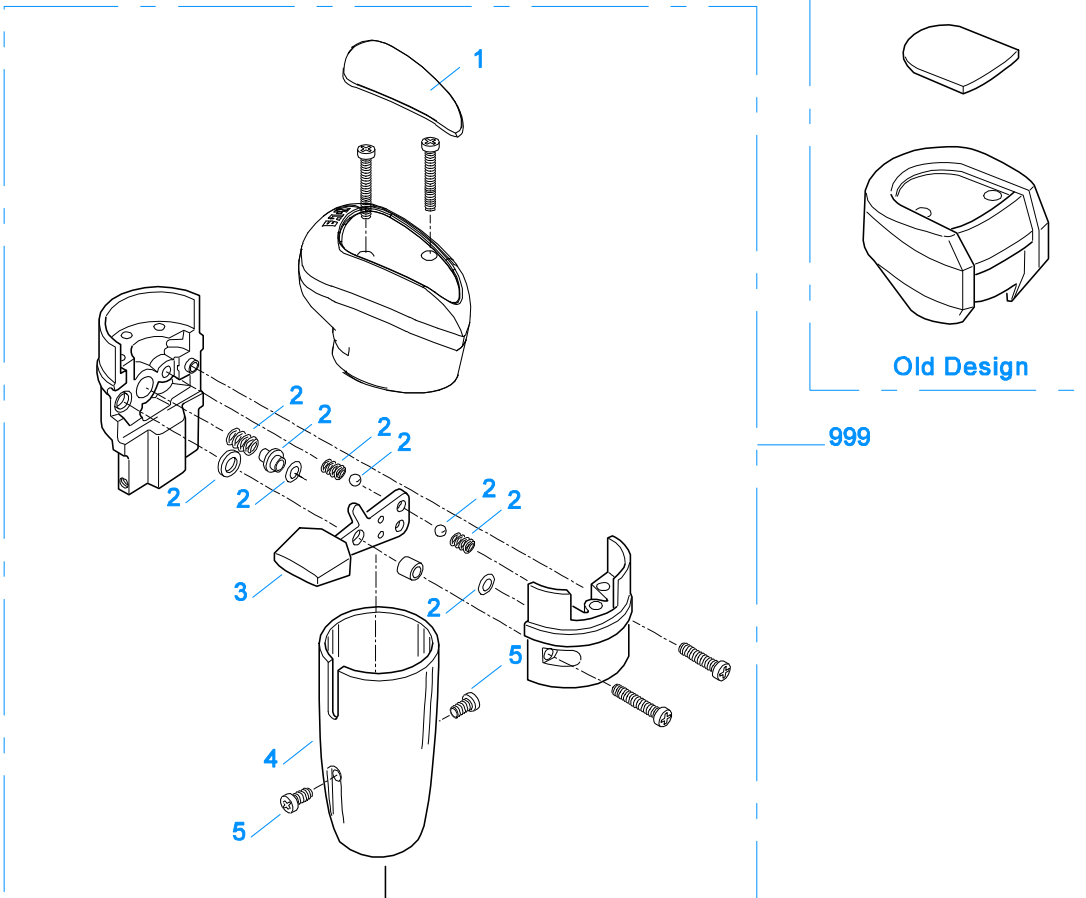
Item	Current Part	Description	Replaced Part	Qty.	Notes	Kits/Assys Where Needed
15	85001	ELBOW ASSY	84501	2	1/8"NPTF	
15	85002	ELBOW ASSY	84502	2	5/32"TUBE-1/8"NPTF	
15	85003	ELBOW ASSY		2	1/8"TUBE-1/8"NPTF	K-1963,K-1980
					"PUSH-TO-CONNECT" 5/32"TUBE-1/8"NPTF	K-2010
16	18905	NO LONGER AVAILABLE		1		
17	84101	UNION ASSY		1	1/8" TUBING	
17	84102	UNION ASSY		1	5/32" TUBING	
17	84103	UNION ASSY		1	"PUSH-TO-CONNECT" 5/32" TUBING	K-2010
18	14441	CLAMP	14465	1		
19	80120	SHEATHING (50 FT ROLL)		1	5/32" - BLACK 50'	
20	13571	-O- RING CLAMP		2		
999	A-3546	RANGE VALVE ASSY	18268 ,18269 ,18272	1		



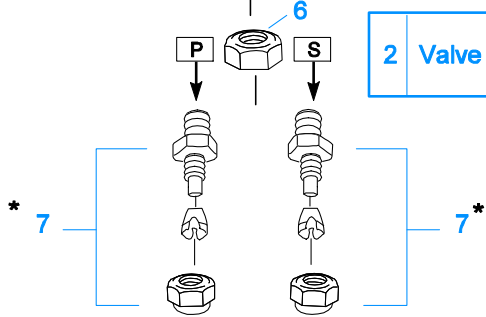
10381-11/92 RI

REVERSE IDLER

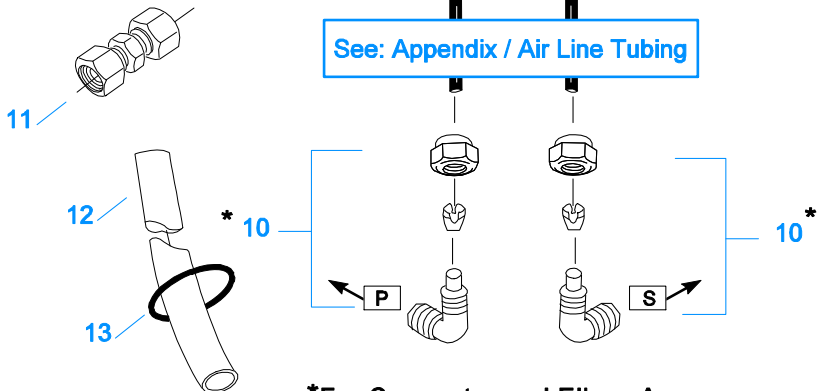
Item	Current Part	Description	Replaced Part	Qty.	Notes	Kits/Assys Where Needed
1	X-1-1008	NUT		2	5/8"-18	
2	14283	WASHER		2		K-3217
3	4302982	WASHER	14282	2		K-3217
4	14287	BEARING	4305020	2		K-1866,K-1980
5	16757	REVERSE IDLER GEAR	22409	2		
6	16403	WASHER		2		K-3217
7	K-3217	IDLER SHAFT REPL KIT	4302981	2		
8	5202	PLUG		2		
9	14282	NO LONGER AVAILABLE		2		
11	4303336	RETAINING RING		2		K-3217
12	X-7-1008	CAPSCREW		2	5/8"-18X1-1/4	



2 Valve Repair Kit



See: Appendix / Air Line Tubing

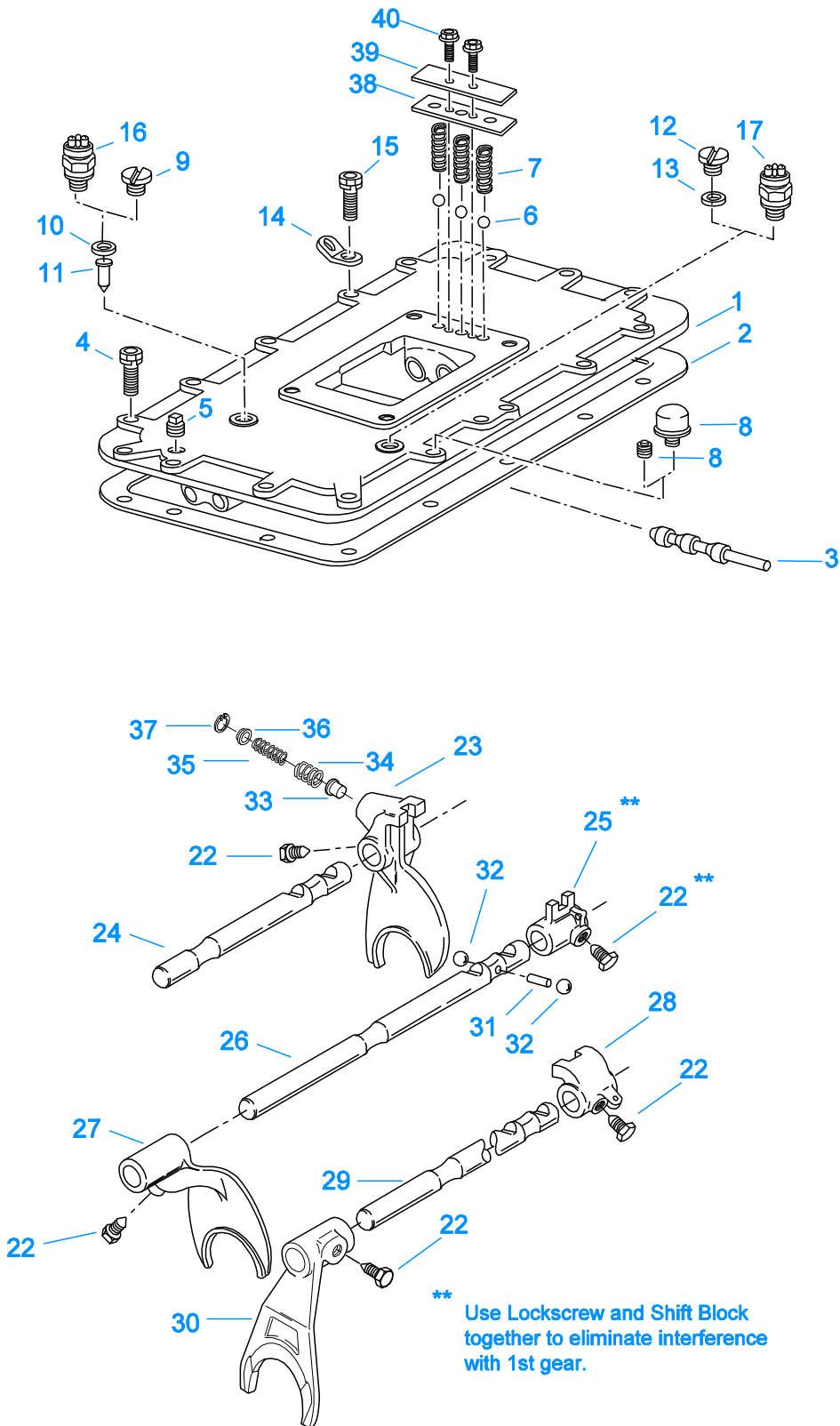


*For Connector and Elbow Assy component information see Appendix.

10100A-3-97 RRV-2

ROADRANGER VALVE

Item	Current Part	Description	Replaced Part	Qty.	Notes	Kits/Assys Where Needed
1	20107	MEDALLION, LOGO		1	(OLD DESIGN) FULLER LOGO ONLY	
1	5586100	MEDALLION, LOGO		1	(LATEST DESIGN) FULLER LOGO ONLY	A-6909
1	5586103	SHIFT DIAGRAM MEDALLION		1	RTO	S-2558
2	K-1921	MASTER VALVE REPAIR KIT		1	FOR A-6909 & A-5010 VALVES	
3	20495	LEVER		1		A-6909
4	20112	COVER		1		A-6909
5	X-8-213	SCREW	X 8 202	2	8-32X3/8"	
6	X-9-802	NUT		1	1/2"-13	
7	84001	CONNECTOR ASSY	82501	2	1/8" TUBE-1/16" NPTF	
7	84003	CONNECTOR ASSY	82503	2	5/32" TUBE-1/16" NPTF	
7	84005	CONNECTOR ASSY		2	"PUSH-TO-CONNECT" 5/32" TUBE-1/16" NPTF	K-2010
10	85001	ELBOW ASSY	84501	2	5/32" TUBE-1/8" NPTF	
10	85002	ELBOW ASSY	84502	2	1/8" TUBE-1/8" NPTF	K-1963, K-1980
10	85003	ELBOW ASSY		2	"PUSH-TO-CONNECT" 5/32" TUBE-1/8" NPTF	K-2010
11	84101	UNION ASSY		1	1/8" TUBING	
11	84102	UNION ASSY		1	5/32" TUBING	
11	84103	UNION ASSY		1	"PUSH-TO-CONNECT" 5/32" TUBING	K-2010
12	80120	SHEATHING (50 FT ROLL)		1	5/32" - BLACK 50'	
13	13571	-O- RING CLAMP		1		
999	A-6909	ROADRANGER VALVE ASSY	A - 5010 A - 5310	1	STANDARD-W/LOGO	K-2010
999	S-2558	ROADRANGER VALVE ASSY	A - 5035	1	RTO - W/SHIFT DIAGRAM MEDALLION	



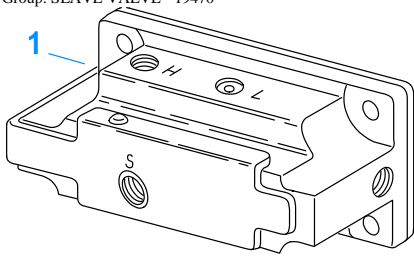
10234-12-94 For

SHIFT BAR HOUSING (F)

Item	Current Part	Description	Replaced Part	Qty.	Notes	Kits/Assys Where Needed
------	--------------	-------------	---------------	------	-------	-------------------------

Item	Current Part	Description	Replaced Part	Qty.	Notes	Kits/Assys Where Needed
1	S-1613	NO LONGER AVAILABLE	19770 ,22958	1	HOUSING ONLY	
2	4302676	GASKET	14918	1		K-1702,K-2199
3	20332	AIR VALVE SHAFT	17177	1		
4	X-8L-604	CAPSCREW		16	3/8"-16X1-1/4"- OR USE 14 PCS OF X-8L-604 WITH 2 PCS OF X-8L-602	
5	X-12-603	PIPE PLUG	X12 602	1	3/8" NPT	
6	X-14-800	STEEL BALL		3	1/2"	
7	15918	SPRING		3		K-1803,K-1980
8	4304602	BREATHER	23605	1	1/4" NPT	K-1702
8	X-12-404	PIPE PLUG		1	1/4" NPT	
9	4303656	PLUG	15917	1		
10	15900	GASKET		1		
11	15899	PIN		1		
12	4303655	PLUG	17178	1		
13	17179	GASKET		1		
14	20815	LIFTING EYE	17105	2		
15	X-8L-602	CAPSCREW		2	3/8"-16X1-1/2" USE W/20815 LIFTING EYES	
16	22940	REVERSE LIGHT SWITCH	16830	1	SWITCH NORMALLY OPEN	
17	22941	NEUTRAL LIGHT SWITCH	12639	1	SWITCH NORMALLY CLOSED	
22	22943	LOCKSCREW		1	USE W/19703 SHIFT BLOCK	
22	3220	LOCKSCREW		4		
23	19705	SHIFT YOKE		1	LO/REVERSE	
24	19708	YOKE BAR		1	LO/REVERSE - W/TORQUE LIMITER	
24	19710	YOKE BAR		1	LO/REVERSE	
25	19703	SHIFT BLOCK		1	1ST/2ND	
26	19707	YOKE BAR		1	1ST/2ND	
27	16135	SHIFT YOKE		1	1ST/2ND	
28	19704	SHIFT BLOCK		1	3RD/OD	
29	19706	YOKE BAR		1	3RD/OD	
30	4300536	SHIFT YOKE	19878	1	3RD/OD	K-2321
31	1634	INTERLOCK PIN		1		K-1803
32	X-14-1200	STEEL BALL		2	3/4"	
33	19790	PLUNGER		1		
34	19791	SPRING		1		
35	19838	SPRING		1		
36	19792	RETAINER		1		
37	19793	SNAP RING		1		A-5000,K-1935
38	15133	GASKET		1		
39	15132	SPRING COVER		1		
40	X-8L-600	CAPSCREW		2	3/8"-16X1"	

Group: SLAVE VALVE - 19470

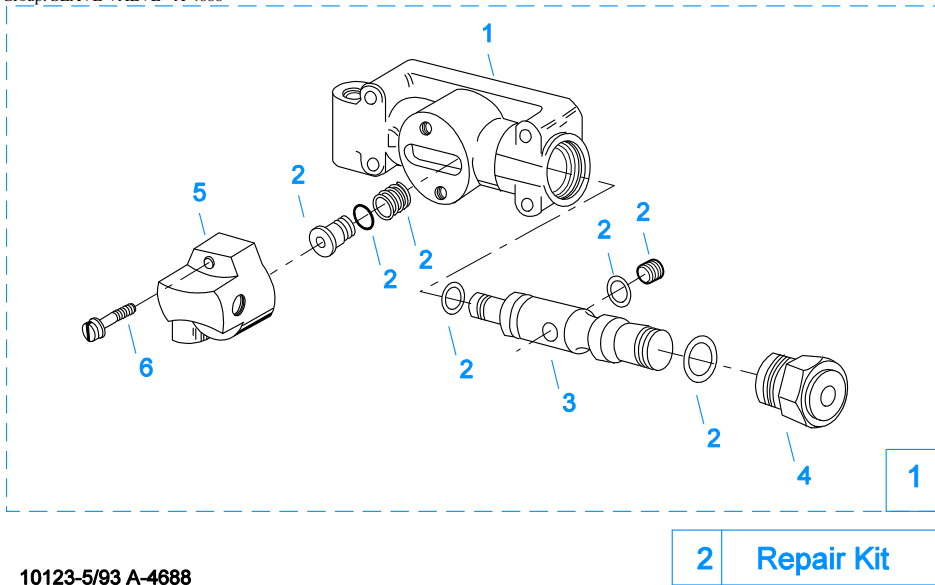


10121-1/92 19470 SV

SLAVE VALVE - 19470

Item	Current Part	Description	Replaced Part	Qty.	Notes	Kits/Assys Where Needed
1	K-2424	VALVE REPLACEMENT KIT	19470	1		

Group: SLAVE VALVE - A-4688



10123-5/93 A-4688

SLAVE VALVE - A-4688

Item	Current Part	Description	Replaced Part	Qty.	Notes	Kits/Assys Where Needed
1	A-4688	SLAVE VALVE ASSY	15125 ,19464 ,A - 3991	1		
2	K-1699	REPAIR KIT-SLAVE VALVE		1	FOR A-4688 VALVE	
3	19463	PISTON	15126	1		A-4688
4	20849	CAP	15131	1		A-4688,A-5000
5	K-1613	CAP REPLACEMENT KIT	16429 ,18707	1	FOR A-4688 VALVE	
6	X-8S-401	CAPSCREW		2	1/4"-20X1-1/8"	



10120-10-97 A-5000 SV

2 Repair Kit

SLAVE VALVE - A-5000

Item	Current Part	Description	Replaced Part	Qty.	Notes	Kits/Assys Where Needed
1	A-5000	SLAVE VALVE ASSY	20850	1		K-1963,K-2424
2	K-1935	REPAIR KIT-SLAVE VALVE		1	FOR A-5000 VALVE	
3	20855	PLUG		1		A-5000
4	20854	PISTON		1		A-5000
5	20849	CAP	15131	1		A-4688,A-5000
7	S-1516	CAP ASSY	20851 ,20853	1		
8	X-8C-413	CAPSCREW		3	1/4"-20X1-1/2"	

