



## Eaton Fuller RTX-14608LL Transmission Parts Manual

This is Eaton Fuller RTX-14608LL Transmission parts manual brought to you by Pro Gear and Transmission to assist you identifying the parts for your Eaton / Fuller transmission unit.

If you need any assistance identifying the correct Eaton / Fuller unit for your truck and equipment, contact your Eaton replacement parts specialists at Pro Gear and Transmission.

Pro Gear stocks every part for your Eaton transmission including: Valve Assemblies, Synchronizers, Yoke Assemblies, O-Ring Kits, Drive Gears, Gaskets, Bearing and Seal Kits, and much more.

Pro Gear and Transmission has same day shipping and thousands of products in stock and ready to ship internationally for your next project.

For parts or service contact the Eaton transmission specialists at Pro Gear & Transmission, Inc.

 CALL US

 EMAIL US

 VISIT MODEL PAGE

 VISIT ONLINE STORE



**Roadranger®**

More time on the road®

# Illustrated Parts List

---

**RTX-14608LL**  
**July 2011**

# Contents

How To Use The Illustrated Parts List .....	3
AIR SYSTEM REDUCTION .....	4
AUX. COUNTERSHAFT PUMP .....	5
OIL COOLER/CONNECTIONS.....	5
AUX. COUNTERSHAFT PUMP .....	6
OIL PUMP AND INLET LINE.....	6
AUXILIARY DRIVE GEAR.....	7
CASE (AUX) .....	8
CASE (FRONT).....	10
COUNTERSHAFT & BRGS(AUX).....	12
COUNTERSHAFT ASSY .....	13
FILTER REGULATOR.....	14
H & C W/19470 VALVE .....	15
H & C W/19470 VALVE .....	16
H & C W/A-4688 VALVE.....	17
H & C W/A-4688 VALVE.....	18
H & C W/A-5000 VALVE.....	19
H & C W/A-5000 VALVE.....	20
INPUT SHAFT & DRIVE GEAR .....	21
INTEGRAL OIL PUMP .....	23
ISOLATORS.....	25
KITS & ASSEMBLIES .....	26
LEVERS/HOUSINGS .....	29
MAINSHAFT & SYNCHRO(AUX).....	31
MAINSHAFT ASSY.....	33
MISCELLANEOUS .....	35
OIL COOLER.....	36
RANGE CYLINDER.....	37
RANGE VALVE .....	38
REDUCTION CYLINDER.....	40
REVERSE IDLER.....	41
ROAD SPEED GOVERNOR .....	42
ROADRANGER VALVE .....	45
ROADRANGER VALVES .....	47
SHIFT BAR HOUSING (X).....	48
SLAVE VALVE - 19470.....	50
SLAVE VALVE - A-4688.....	51
SLAVE VALVE - A-5000.....	52

## How To Use The Illustrated Parts List

The information contained in this document is subject to frequent updates. Therefore, for the latest information available, please visit the interactive Electronic Parts Catalog at [www.roadranger.com/epc](http://www.roadranger.com/epc).

### Model Designation or Nomenclature

- For information regarding Model Designation and Nomenclature, visit [www.roadranger.com](http://www.roadranger.com).

### Kits and Assemblies (K/A's)

- Kits and Assemblies contain groups of individual or assembled parts developed for optimal replacement or repair of a service problem.
- Kits and Assemblies are shown with applicable parts groupings in the parts listings.

### Identifying Kits and Assemblies

A- Part numbers beginning with the letter 'A' are pre-assembled Production Assemblies

K- Part numbers beginning with the letter 'K' are kits that are not assembled

S- Part numbers beginning with the letter 'S' are pre-assembled Service Assemblies

- Note: Some Production Assemblies do not begin with a letter prefix (Midrange only).

### Illustrations

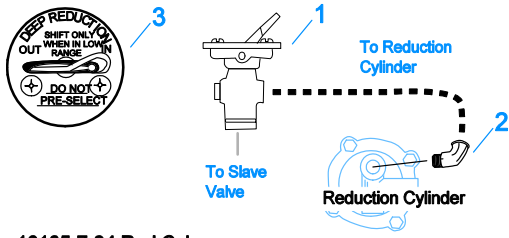
- Illustrations show parts in assembly groups.
- Item numbers on illustrations correspond with parts listings on pages adjacent to the illustration.
- Notes are included on illustrations where additional information is needed.

### Parts Listing

Parts listings are defined by parts groupings and are broken down by service assemblies. Parts listings identify a part for servicing with the following categories

- **Item Number** - corresponding with numbers on illustrations for part identification.
- **Current Part** - identifies part as it is available for service.
- **Description** - specifies part name or description.
- **Replaced Part** - quantity quantity required for assembly.
- **Quantity** - defines unique characteristics or requirements.
- **Notes** - indicates Kits or Assemblies that contain a particular part.
- **Kits/Assy's Where Used**

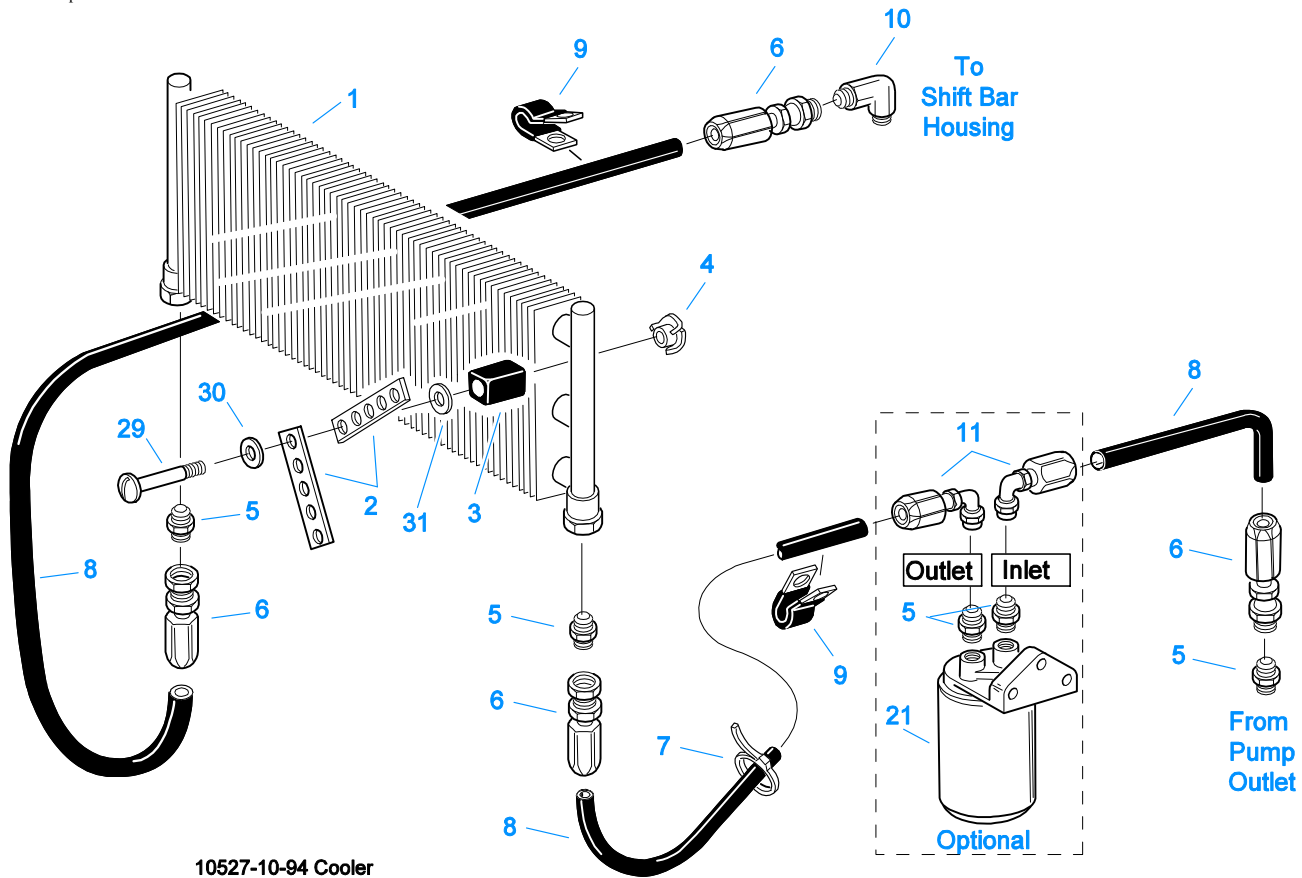
Group: AIR SYSTEM REDUCTION



10105-7-94 Red Cyl

## AIR SYSTEM REDUCTION

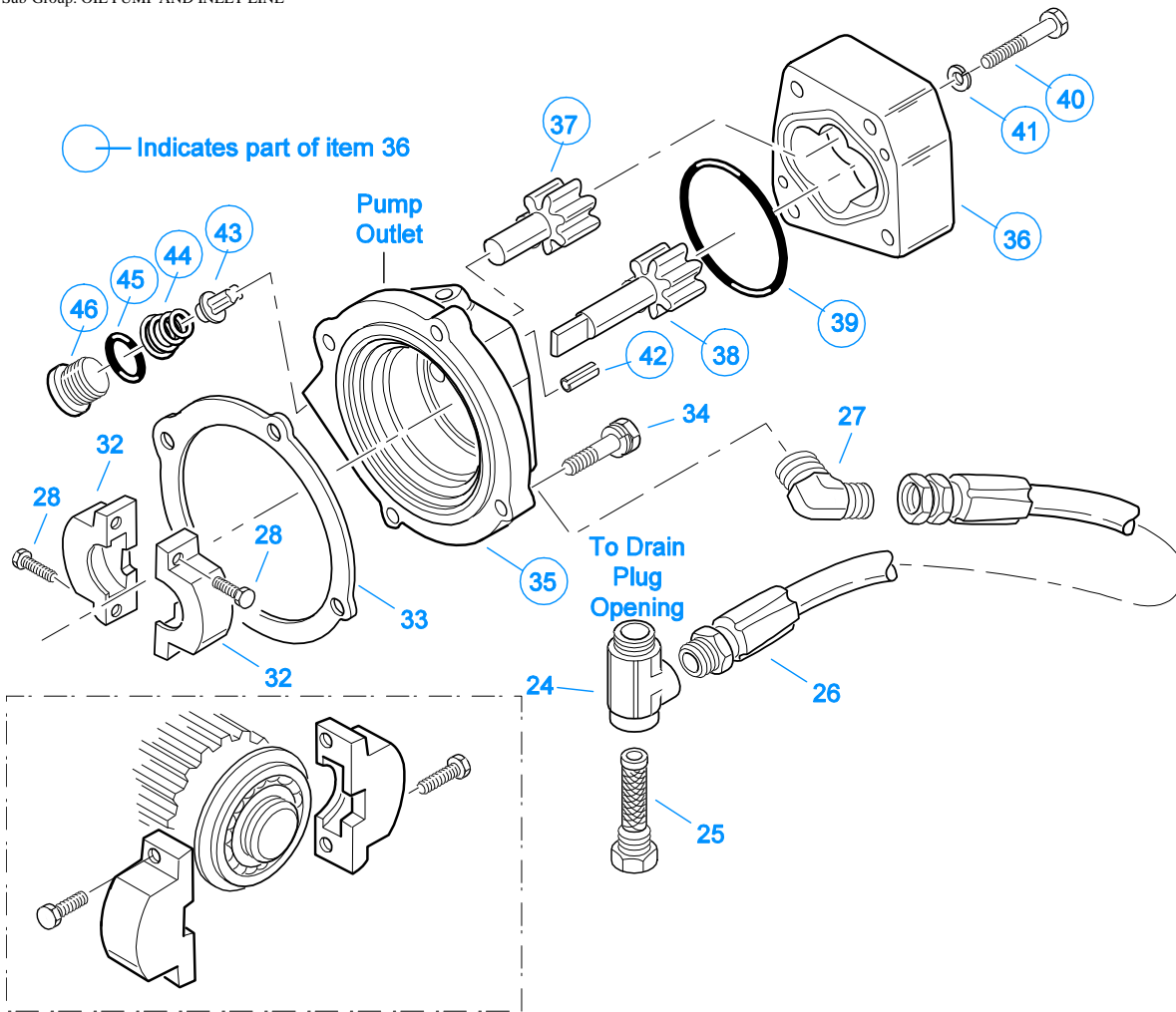
Item	Current Part	Description	Replaced Part	Qty.	Notes	Kits/Assys Where Needed
1	14651	SHIFT VALVE		1		
2	12845	ELBOW		1	1/8"	K-1963
3	15286	VALVE PLATE		1		



## AUX. COUNTERSHAFT PUMP

### OIL COOLER/CONNECTIONS

Item	Current Part	Description	Replaced Part	Qty.	Notes	Kits/Assys Where Needed
1	18025	OIL COOLER		1		
2	18211	BRACKET		4		
3	18209	PLUG-RUBBER MOUNT		2		
4	18210	NUT		2		
5	19419	CONNECTOR		5		
6	19415	SWIVEL		4		
7	17190	STRAP		8		
8	19424	HOSE		1	25 FEET	
9	19423	CLAMP		5		
10	19420	ELBOW		1		
11	19422	ELBOW		2		
21	S-1404	OIL FILTER	17238	1		
29	X-8-535	CAPSCREW		2	5/16"-16X2-1/2"	
30	X-3-506	LOCKWASHER		2	5/16"	
31	X-10-501	WASHER		2	5/16"	

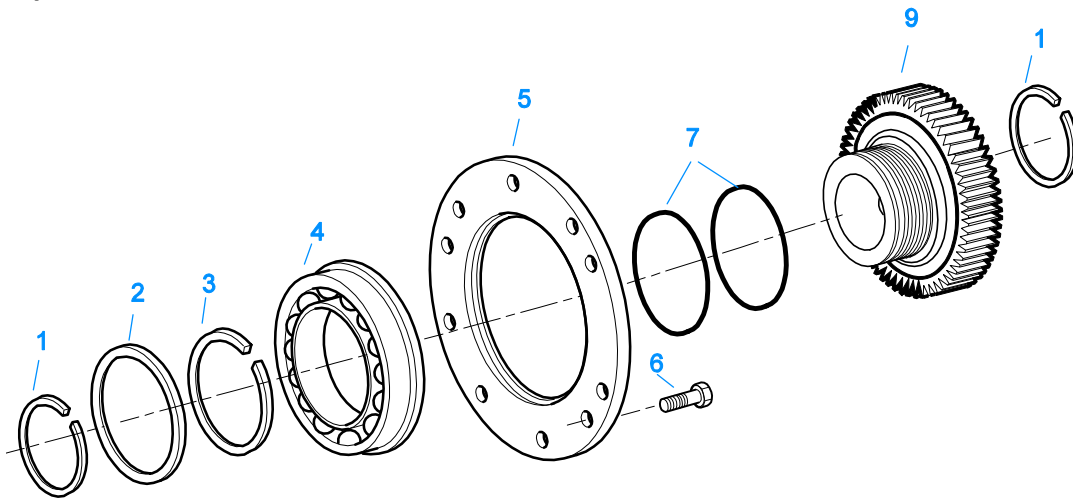


10523-10-94 Oil Pump

## AUX. COUNTERSHAFT PUMP

### OIL PUMP AND INLET LINE

Item	Current Part	Description	Replaced Part	Qty.	Notes	Kits/Assys Where Needed
24	19412	TEE		1		
25	19413	STRAINER		1		
26	19425	HOSE ASSY		1		
27	19418	ELBOW		1		
28	X-7-416	CAPSCREW		2	1/4"-28X13/16" SOCKET HEAD	
32	K-1836	NO LONGER AVAILABLE	20198	1		
33	17386	GASKET		1		
34	X-8-685	CAPSCREW		1	3/8"-16X2-3/4" SOCKET HEAD	
34	X-8L-602	CAPSCREW		3	3/8"-16X1-1/2"	
35	19403	OIL PUMP ADAPTER		1		
36	A-4678	OIL PUMP ASSY	19400	1		
37	A-4676	IDLER GEAR ASSY		1		
38	A-4677	DRIVE GEAR ASSY		1		
39	18109	-O- RING		1		
40	X-8-434	CAPSCREW		4	1/4"-20X2"	
41	X-3-400	LOCKWASHER		4	1/4"	
42	62515	ROLL PIN		2		
43	12757	VALVE		1		
44	12755	SPRING		1		
45	5568536	-O- RING	13884	1		
46	19411	PLUG		1		

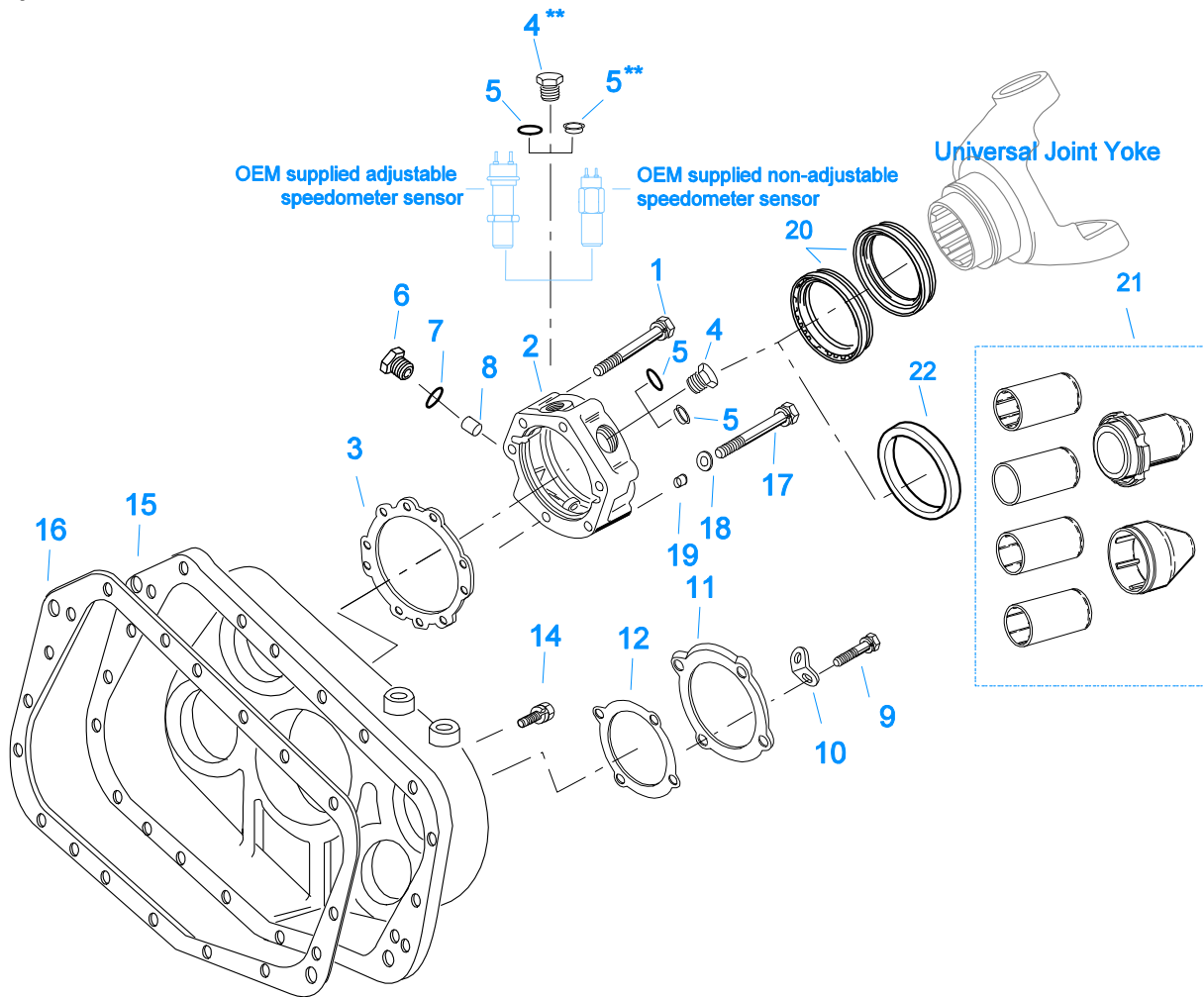


10482-12/92 Aux DG

## AUXILIARY DRIVE GEAR

Item	Current Part	Description	Replaced Part	Qty.	Notes	Kits/Assys Where Needed
1	16763	SNAP RING		2		K-1802,K-1872,K-1979
2	21320	SNAP RING RETAINER		1	RTO/RTOF/RTX/RTXF	K-2309
3	16628	SNAP RING		1		K-1802
4	5566507- BOX	BEARING	5566504,5566507	1		K-1872,K-1979
5	16138	BEARING RETAINER		1		
6	X-8-645	CAPSCREW	X 8 612	6	3/8"-16X1"	
7	17453	-O- RING		2		K-1872,K-1979,K-2309
9	K-2309	REPL KIT-DRIVE GEAR	19254 ,4300465	1		





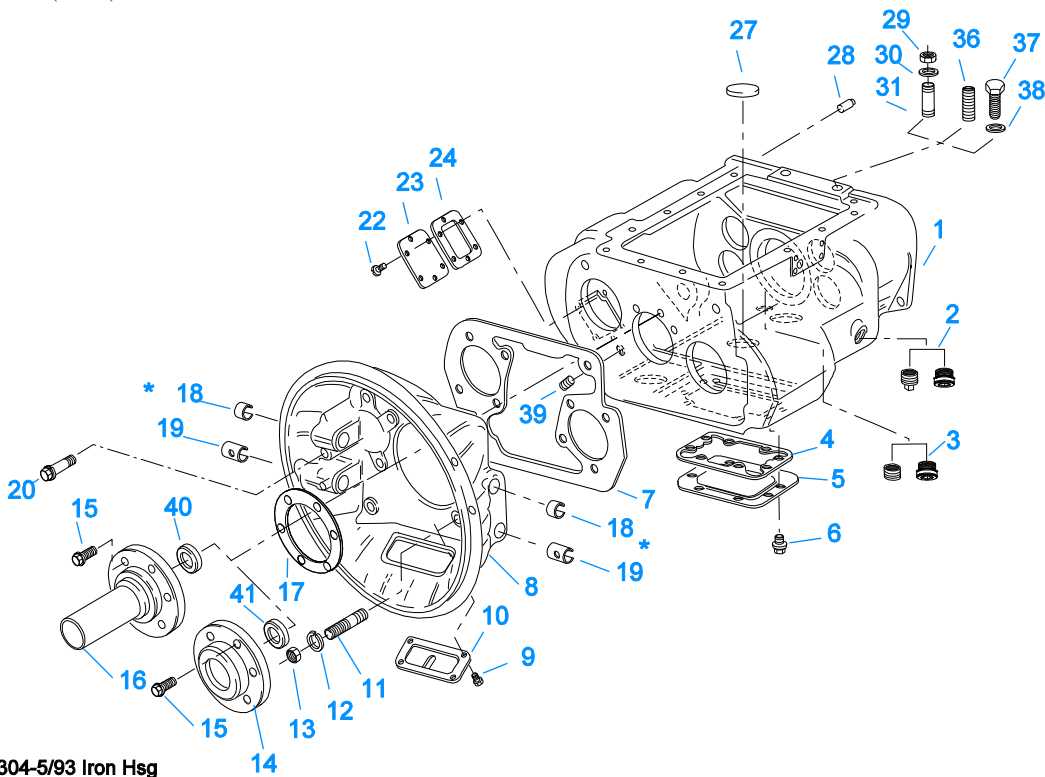
**\*\* Note — Items 4 & 5 / Magnetic Speedometer Openings:**  
 Use 13679 "O" ring w/ OEM supplied adjustable speedometer sensor  
 and 20225 "O" ring w/ OEM supplied non-adjustable speedometer sensor or Eaton part #20224 Plug

**10410-6-94 Aux Case**

**CASE (AUX)**

Item	Current Part	Description	Replaced Part	Qty.	Notes	Kits/Assys Where Needed
1	X-8L-605	CAPSCREW		5	3/8"-16X3" - USE W/S-2151 COVER	
1	X-8L-611	CAPSCREW		5	3/8"-16X3-1/4" - USE W/S-2119 COVER	
2	S-2119	REAR BRG COVER ASSY	20048 ,22045 ,4302009 ,4302031 ,S - 1558 S - 1560	1	EXTENDED	
2	S-2151	REAR BRG COVER ASSY	S - 1429	1		
3	15532	GASKET		1		K-2199,K-2256,K-2262,S-2119,S-2151
4	20224	PLUG-MAGNETIC		2		S-1400,S-2119,S-2151
5	13679	-O- RING		1	USE W/OEM SUPPLIED ADJUSTABLE SPEEDOMETER SENSOR NOT TO BE USED WITH 4301954 SEAL	
5	20225	-O- RING		2	USE W/20224 PLUG OR OEM SUPPLIED NON-ADJUSTABLE SPEEDOMETER SENSOR NOT TO BE USED WITH 4301954 SEAL	
5	4301954	SENSOR SEAL		2	O-RING NOT REQUIRED	S-2119,S-2151
6	20226	PLUG-MECHANICAL	2237	1		S-1400,S-2119,S-2151

Item	Current Part	Description	Replaced Part	Qty.	Notes	Kits/Assys Where Needed
7	14142	-O- RING		1		S-1400,S-2119,S-2151
8	7992	BUSHING		1		S-2119,S-2151
9	X-8-686	CAPSCREW		8	3/8"-16X3/4"	
10	20815	LIFTING EYE	17105	2		
11	17252	REAR BEARING COVER		2		
12	17386	GASKET		2		K-2199
14	X-8L-602	CAPSCREW		17	3/8"-16X1-1/2"	
14	X-8L-614	CAPSCREW		2	3/8"-16X2"	
15	17250	REAR HOUSING		1		
15	17580	REAR HOUSING		1	USE W/OIL COOLER	
16	14335	GASKET		1		K-2199,S-1400
17	X-8-611	CAPSCREW		1	3/8"-16X3-1/4" - USE W/S-2119 COVER	
17	X-8-682	CAPSCREW		1	3/8"-16X3" - USE W/S-2151 COVER	
18	17106	GASKET		1		K-2199,K-2256,K-2262,S-2119,S-2151
19	19709	COLLAR		1		K-2199,K-2256,K-2262,S-2119,S-2151
20	K-2262	OIL SEAL W/SLINGER	19109 ,20807 ,20808	1	"FOR MECHANICAL COVER"	
21	K-3651	OIL SEAL TOOL KIT		1		
22	K-2262	OIL SEAL W/SLINGER	19109 ,20807 ,20808	1	"FOR MECHANICAL COVER"	



**10304-5/93 Iron Hsg**

\* Bushing quantity requirements: #1 Housing – Upper bore use 4 #12815 / Lower bore use 2 #8677.

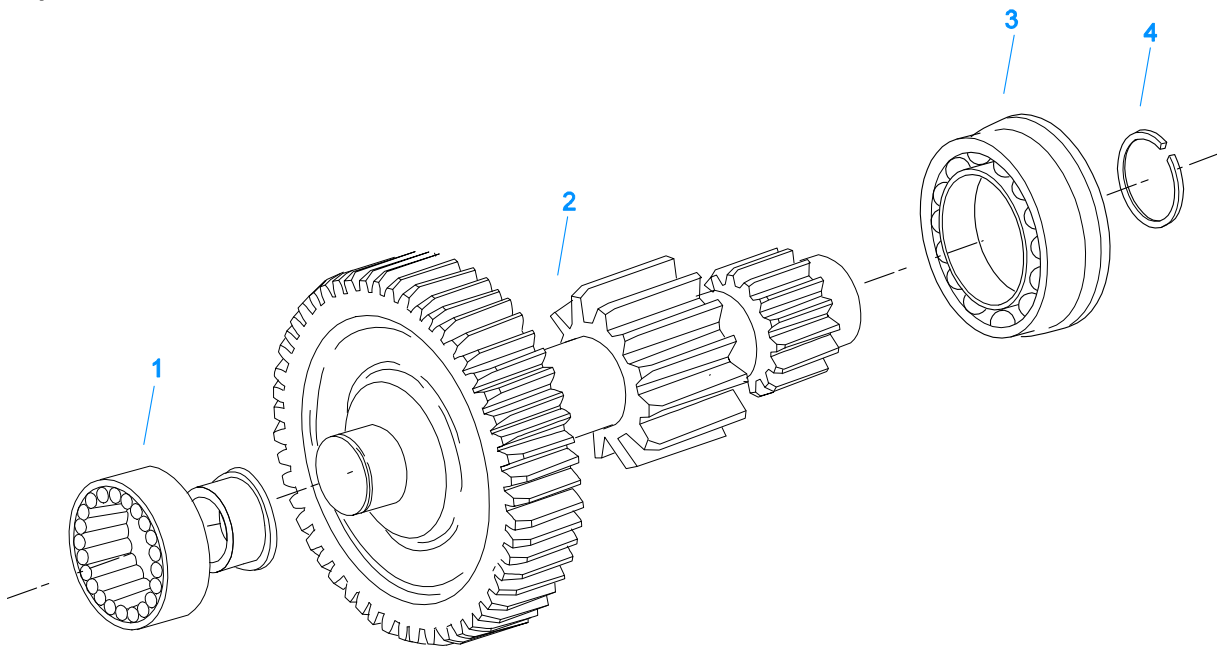
#2 Housing – Upper bore use 2 #12815 and 1 #8677 / Lower bore use 2 #8677.

**Note: Some part requirements are specific to #1 or #2 Clutch Housings and Push or Pull type Clutch.**

**CASE (FRONT)**

Item	Current Part	Description	Replaced Part	Qty.	Notes	Kits/Assys Where Needed
1	S-1318	CASE ASSY	15390	1		
1	S-1519	CASE ASSY	20500	1	FOR USE W/INTEGRAL PUMP	
2	4304023	PLUG	4303747	1	1-1/16" MAGNETIC, O-RING INCLUDED	S-1318,S-1519
2	X-12-2007	PIPE PLUG	X12 2006	1		
3	4304023	PLUG	4303747	1	1-1/16" MAGNETIC, O-RING INCLUDED	S-1318,S-1519
3	X-12-1207	PIPE PLUG	X12 1202 X12 1206	1	3/4" MAGNETIC	
4	4305310	GASKET	4302810	1		K-2199
5	4302809	PTO COVER	16596 ,4300571	1		
6	X-8-725	CAPSCREW	X 8 724	8	7/16"-14X7/8"	
7	4306584	CLUTCH HOUSING GASKET	4304815,4305668	1		K-2199
8	A-3713	CLUTCH HOUSING ASSY	A - 3700	1	#1 PUSH-PULL IRON	
8	A-3723	CLUTCH HOUSING ASSY	A - 3721 ,A - 3722	1	#2 PUSH-PULL IRON	
9	239614	SCREW	X-8L-509	4	5/16-18X.81 QUANTITY DEPENDENT ON DESIGN	
10	14506	HAND HOLE COVER		1	#2 PUSH	
10	14507	HAND HOLE COVER		1	#2 PULL	
10	4305230	HAND HOLE COVER	11453	1	#1 PULL	
10	4305231	HAND HOLE COVER	1565	1	#1 PUSH	
11	4306583	STUD	5966	6		
12	X-10-1005	WASHER	X 3 1000 ,X10 1000 ,X10 1004 X-1-1005	6	1.23 X 6.60	
13	X-1-1012	HEX NUT		6	.625-18	
14	15111	FRONT BRG. COVER		1	2" PULL	
14	18699	FRONT BRG. COVER		1	1-3/4" & 2" PULL W/SEAL	
14	20550	FRONT BRG COVER		1	2" PULL	
15	X-8L-604	CAPSCREW		6	3/8"-16X1-1/4" USE 6 PCS WITH PULL TYPE COVER USE 4 PCS WITH PUSH TYPE COVER	K-1979,K-2468,K-4125
15	X-8L-619	CAPSCREW		2	3/8"-16X1-1/4" - USE WITH PUSH	

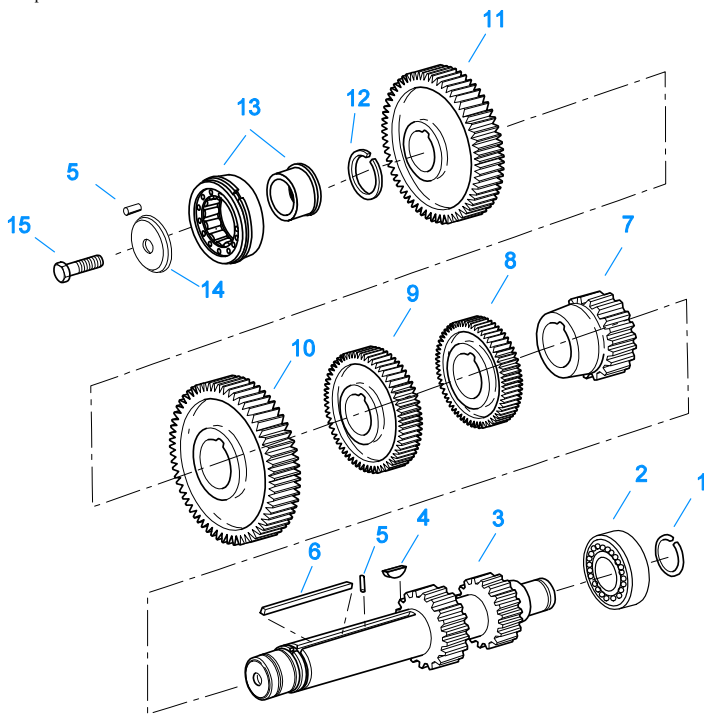
Item	Current Part	Description	Replaced Part	Qty.	Notes	Kits/Assys Where Needed
					TYPE COVER	
16	14994	FRONT BRG. COVER		1	2" PUSH	
16	15113	FRONT BRG. COVER		1	1-3/4" & 2" PUSH W/SEAL	
16	20549	FRONT BRG COVER		1	2" PUSH	
17	14311	GASKET		1		K-2199
18	12815	BUSHING		4	FOR #1 HOUSING UPPER	A-3713,A-3723,K-2468
18	12815	BUSHING		2	FOR #2 HOUSING UPPER	A-3713,A-3723,K-2468
18	8677	BUSHING		1	FOR #2 HOUSING UPPER	A-3713,A-3723
19	8677	BUSHING		2	FOR #1 AND #2 HOUSING LOWER	A-3713,A-3723
20	X-8C-830	HEX HEAD SCREW/WASHER ASSY	X-8C-826	2	.500-13 X 1.490	
20	X-8C-831	HEX HEAD SCREW/WASHER ASSY	X-8C-822	2	.500-13 X 3.460, USE ON HORIZONTAL CENTER LINE	
22	X-8-686	CAPSCREW		6	3/8"-16X3/4"	
23	14575	PTO COVER	4302254	1		
24	4305309	GASKET	1684	1		K-2199
27	14373	MAGNET		3		S-1318,S-1519
28	18128	PIN		2		
29	X-1-1012	HEX NUT		2	.625-18	
30	X-10-1005	WASHER	X 3 1000 ,X10 1000 ,X10 1004	2	1.23 X 6.60	
31	14554	STUD	1632 ,6579	2	5/8" X 2-3/16"	
36	23104	PLUG	1712	2		
37	X-8-1005	CAPSCREW		2	5/8"-11X1-1/4"	
38	20814	SPACER		2		
39	X-12-802	PIPE PLUG	X12 800	1	1/2"	
40	12581	OIL SEAL		1	USE W/15113 COVER ONLY	
41	16977	SEAL		1	2"	



**10446-7-94 Aux CS**

**COUNTERSHAFT & BRGS(AUX)**

Item	Current Part	Description	Replaced Part	Qty.	Notes	Kits/Assys Where Needed
1	8879	BEARING		2		K-1872,K-1979,S-1400
2	A-4818	WELDED COUNTERSHAFT ASSY		2	C/S 20023 - D/G 19255	
3	81566	BEARING		2		K-1872,K-1979
4	15253	SNAP RING		2		K-1802,K-1872,K-1979

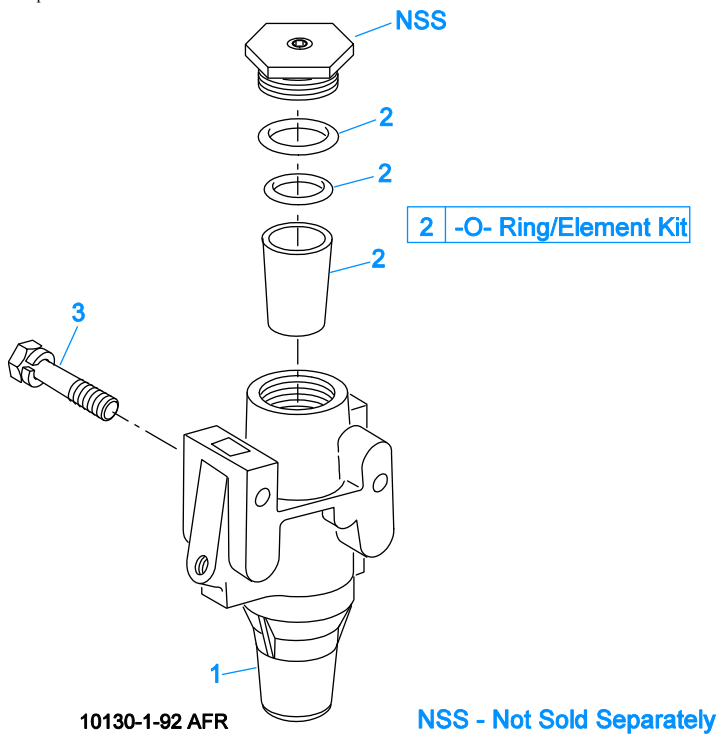


10341-1/92 CS/RT

**COUNTERSHAFT ASSY**

Item	Current Part	Description	Replaced Part	Qty.	Notes	Kits/Assys Where Needed
1	14317	SNAP RING		2		K-1802,K-1872,K-1979
2	14366	BEARING		2		K-1872,K-1979
3	K-2934	CNTRSHFT-W/REV & LO	19549	2		
4	X-6-E	KEY		2		
5	62511	ROLL PIN		4		
6	4304840	KEY	19673	2		
7	4306076	1ST GEAR-CNTRSHFT	19247,20471	2		
8	20482	2ND GEAR-CNTRSHFT	19615	2		
9	4305661	OD GEAR-CNTRSHFT	19631 19633 ,20481 ,4302233,20459	2		
10	15953	PTO GEAR - LOWER		1		
10	16390	NO LONGER AVAILABLE		2	OPTIONAL IF PTO GEARS ARE NOT USED	
10	20840	PTO GEAR - UPPER	15952	1		
11	4305657	DRIVE GEAR-CNTRSHFT	19240 19243 ,20392 ,4302087,21020	2		
12	19198	SNAP RING		2		
13	4304599	BEARING	4302677 4304598	2		K-1872,K-1979
14	4304605	RETAINER	19548	2	ROLL PIN NO LONGER REQUIRED	
15	X-7-1005	CAPSCREW		2	5/8"-18X1-3/4"	

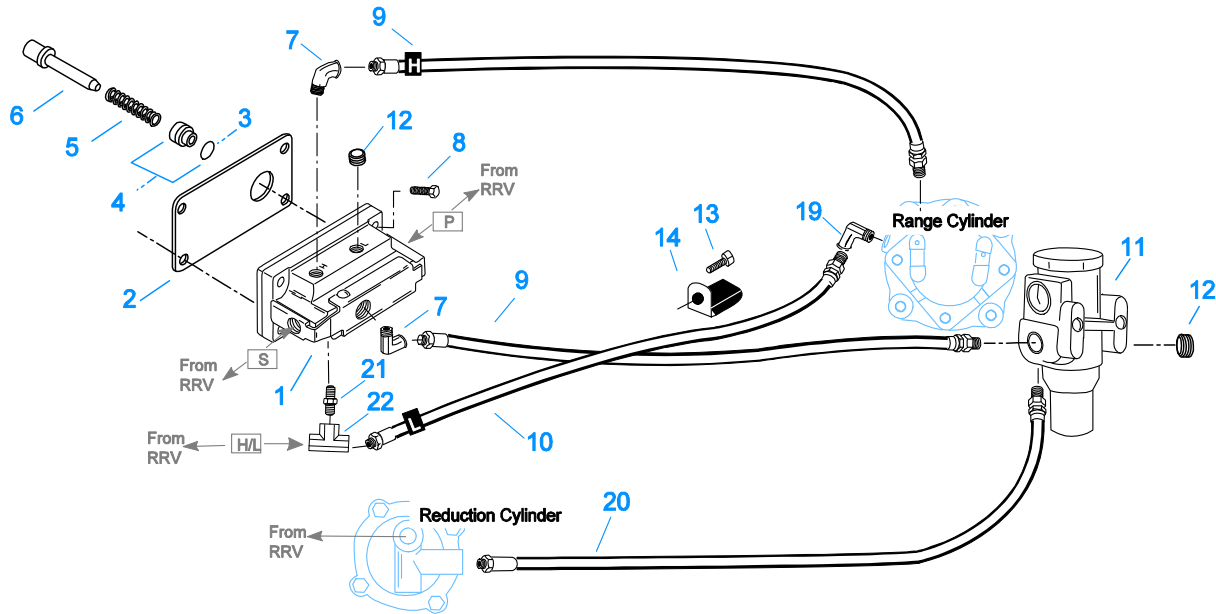
Group: FILTER REGULATOR



## FILTER REGULATOR

Item	Current Part	Description	Replaced Part	Qty.	Notes	Kits/Assys Where Needed
1	A-4740	FILTER/REGULATOR	19600	1		
2	K-1698	-O- RING/ELEMENT KIT		1	FOR FILTER REGULATOR	
3	X-8C-412	CAPSCREW	X 8S 412	2	1/4"-20X2-1/4"	

Group: H & C W/19470 VALVE

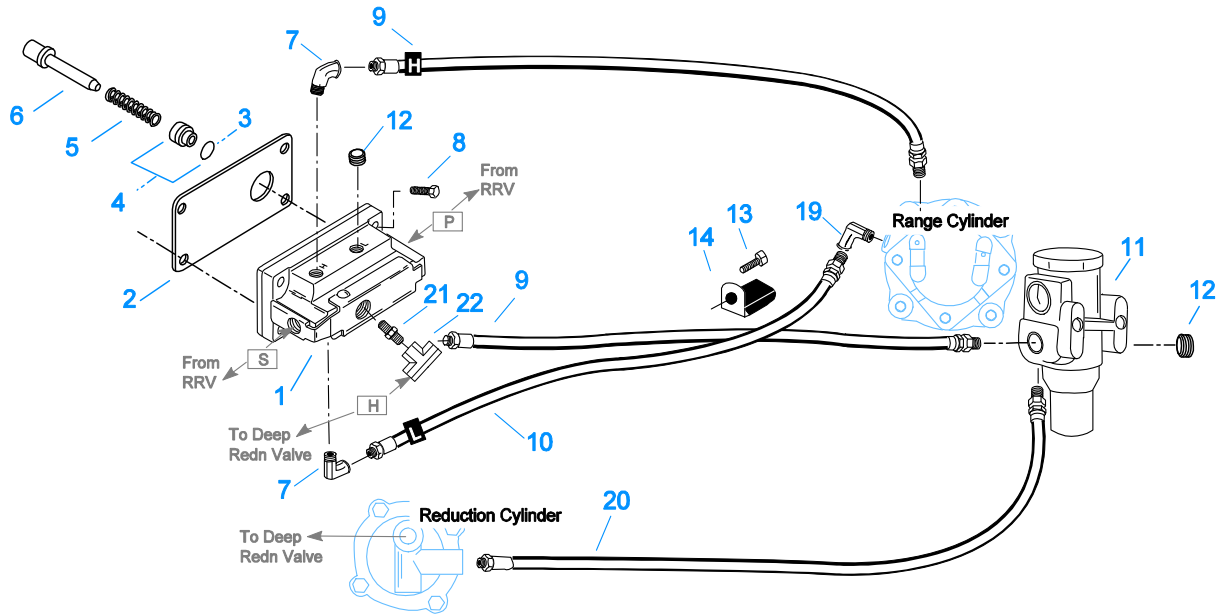


10111K-7-94 19470 4A red cyl

### H & C W/19470 VALVE

Item	Current Part	Description	Replaced Part	Qty.	Notes	Kits/Assys Where Needed
1	K-2424	VALVE REPLACEMENT KIT	19470	1		
2	19481	GASKET		1		K-1963,K-2199,K-2424
3	19462	-O- RING	14033	1		A-4688,K-1699,K-1969
4	K-1969	SLEEVE KIT	14362 19460 ,21446	1	FOR SLAVE VALVES	K-1963
5	21268	SPRING	19572	1		K-1963
6	20490	PIN	19459	1		K-1963
7	12845	ELBOW		2	1/8"	K-1963
8	X-8C-401	CAPSCREW		4	1/4"-20X1-1/8"	
9	55518	HOSE ASSY		2	32"	
10	55508	HOSE ASSY		1	30"	
11	A-4740	FILTER/REGULATOR	19600	1		
12	X-12-208	PIPE PLUG		2	1/8" NPT	
13	X-8L-601	CAPSCREW		1	3/8"-16X3/4"	
14	19779	HOSE CLAMP		1		
19	12880	ELBOW		1	1/8"	
20	55527	HOSE ASSY		1	15"	
21	12769	NIPPLE		1	1/8"	K-1963
22	12881	TEE		1	1/8"	K-1963
22	21086	BRANCH TEE		1	1/8"	



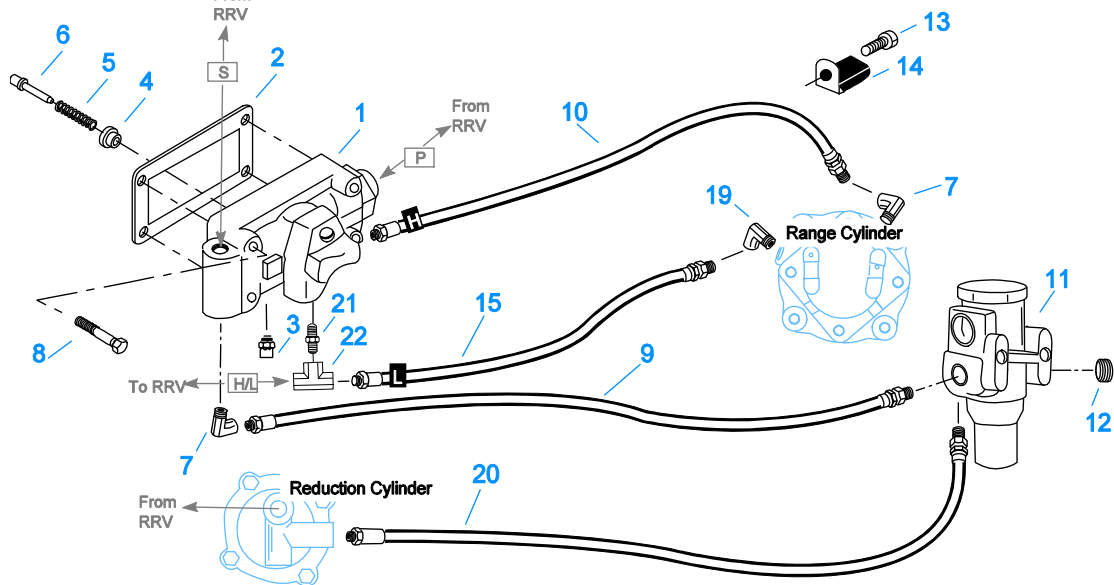


10111J-7-94 19470 2A red cyl

### H & C W/19470 VALVE

Item	Current Part	Description	Replaced Part	Qty.	Notes	Kits/Assys Where Needed
1	K-2424	VALVE REPLACEMENT KIT	19470	1		
2	19481	GASKET		1		K-1963,K-2199,K-2424
3	19462	-O- RING	14033	1		A-4688,K-1699,K-1969
4	K-1969	SLEEVE KIT	14362 19460 ,21446	1	FOR SLAVE VALVES	K-1963
5	21268	SPRING	19572	1		K-1963
6	20490	PIN	19459	1		K-1963
7	12845	ELBOW		2	1/8"	K-1963
8	X-8C-401	CAPSCREW		4	1/4"-20X1-1/8"	
9	55518	HOSE ASSY		2	32"	
10	55508	HOSE ASSY		1	30"	
11	A-4740	FILTER/REGULATOR	19600	1		
12	X-12-208	PIPE PLUG		2	1/8" NPT	
13	X-8L-601	CAPSCREW		1	3/8"-16X3/4"	
14	19779	HOSE CLAMP		1		
19	12880	ELBOW		1	1/8"	
20	55527	HOSE ASSY		1	15"	
21	12769	NIPPLE		1	1/8"	K-1963
22	12881	TEE		1	1/8"	K-1963
22	21086	BRANCH TEE		1	1/8"	

Group: H & C W/A-4688 VALVE

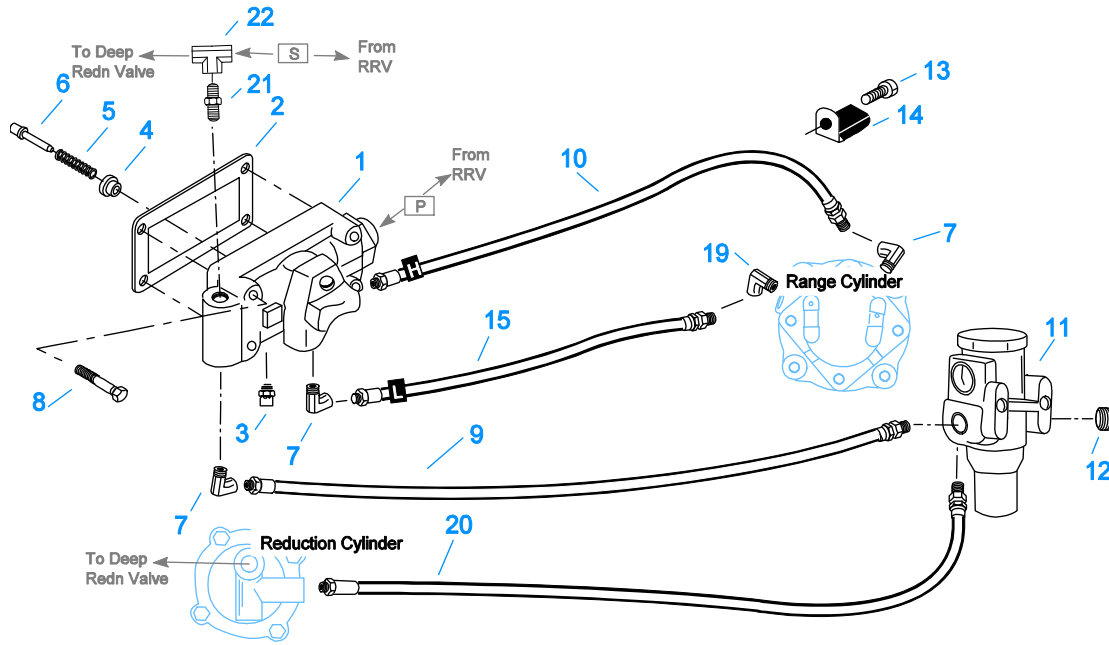


10112K-7-94 A-4688 4A red cyl

## H & C W/A-4688 VALVE

Item	Current Part	Description	Replaced Part	Qty.	Notes	Kits/Assys Where Needed
1	A-4688	SLAVE VALVE ASSY	15125 ,19464 ,A - 3991	1		
2	15758	GASKET		1		K-1699,K-2199
3	X2014210	BREATHER	7935	1		
4	K-1969	SLEEVE KIT	14362 19460 ,21446	1	FOR SLAVE VALVES	K-1963
5	6392	SPRING		1		S-1219,S-1527,S-1528,S-1529,S-1531
6	14361	PIN		1		
7	12845	ELBOW		2	1/8"	K-1963
8	X-8L-411	CAPSCREW	X 8 411	4	1/4"-20X1-3/4"	
9	55509	HOSE ASSY		1	34"	
10	55508	HOSE ASSY		1	30"	
11	A-4740	FILTER/REGULATOR	19600	1		
12	X-12-208	PIPE PLUG		1	1/8" NPT	
13	X-8L-601	CAPSCREW		1	3/8"-16X3/4"	
14	19779	HOSE CLAMP		1		
15	55523	HOSE ASSY		1	29"	
19	12880	ELBOW		1	1/8"	
20	55527	HOSE ASSY		1	15"	
21	12769	NIPPLE		1	1/8"	K-1963
22	12881	TEE		1	1/8"	K-1963
22	21086	BRANCH TEE		1	1/8"	

Group: H & C W/A-4688 VALVE

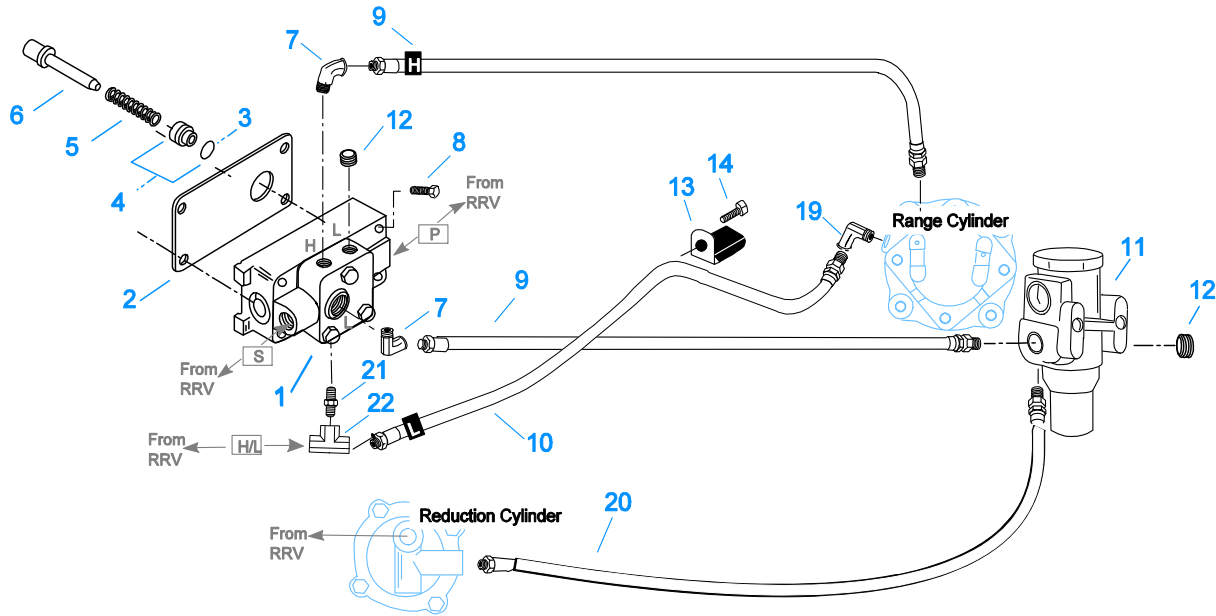


10112J-7-94 A-4688 2A red cyl

## H & C W/A-4688 VALVE

Item	Current Part	Description	Replaced Part	Qty.	Notes	Kits/Assys Where Needed
1	A-4688	SLAVE VALVE ASSY	15125 ,19464 ,A - 3991	1		
2	15758	GASKET		1		K-1699,K-2199
3	X2014210	BREATHER	7935	1		
4	K-1969	SLEEVE KIT	14362 19460 ,21446	1	FOR SLAVE VALVES	K-1963
5	6392	SPRING		1		S-1219,S-1527,S-1528,S-1529,S-1531
6	14361	PIN		1		
7	12845	ELBOW		3	1/8"	K-1963
8	X-8L-411	CAPSCREW	X 8 411	4	1/4"-20X1-3/4"	
9	55509	HOSE ASSY		1	34"	
10	55508	HOSE ASSY		1	30"	
11	A-4740	FILTER/REGULATOR	19600	1		
12	X-12-208	PIPE PLUG		1	1/8" NPT	
13	X-8L-601	CAPSCREW		1	3/8"-16X3/4"	
14	19779	HOSE CLAMP		1		
15	55523	HOSE ASSY		1	29"	
19	12880	ELBOW		1	1/8"	
20	55527	HOSE ASSY		1	15"	
21	12769	NIPPLE		1	1/8"	K-1963
22	12881	TEE		1	1/8"	K-1963
22	21086	BRANCH TEE		1	1/8"	

Group: H & C W/A-5000 VALVE

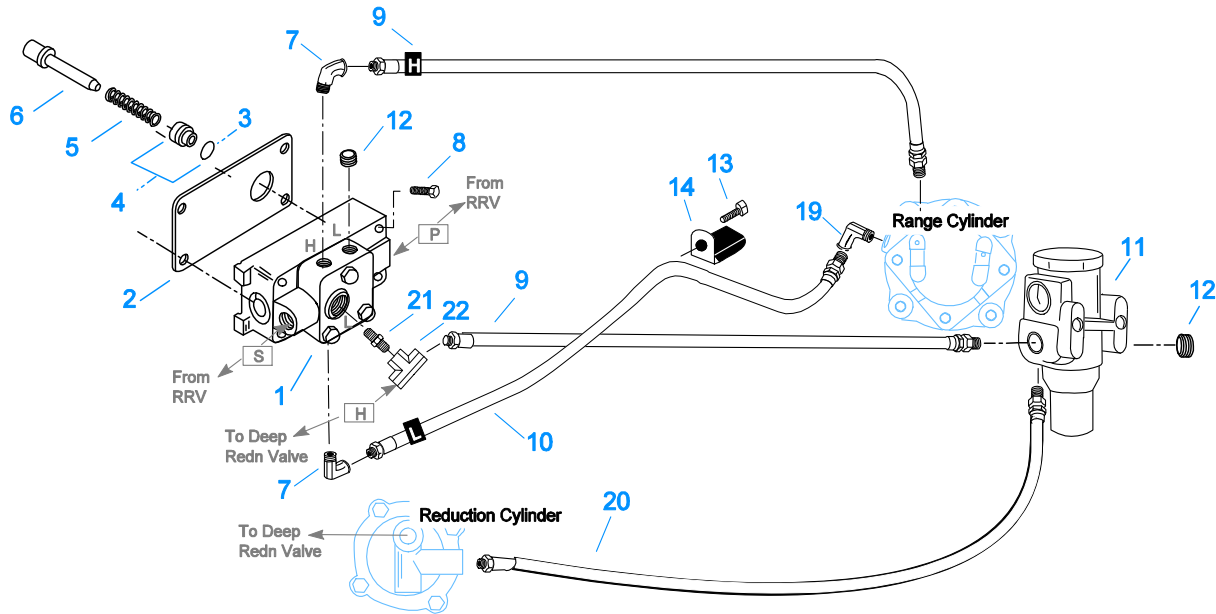


10110K-7-94 A-5000 4A red cyl

### H & C W/A-5000 VALVE

Item	Current Part	Description	Replaced Part	Qty.	Notes	Kits/Assys Where Needed
1	A-5000	SLAVE VALVE ASSY	20850	1		K-1963,K-2424
2	19481	GASKET		1		K-1963,K-2199,K-2424
3	19462	-O- RING	14033	1		A-4688,K-1699,K-1969
4	K-1969	SLEEVE KIT	14362 19460 ,21446	1	FOR SLAVE VALVES	K-1963
5	21268	SPRING	19572	1		K-1963
6	20490	PIN	19459	1		K-1963
7	12845	ELBOW		2	1/8"	K-1963
8	X-8C-411	CAPSCREW		4	1/4"-20X1-3/4"	
9	55518	HOSE ASSY		2	32"	
10	55508	HOSE ASSY		1	30"	
11	A-4740	FILTER/REGULATOR	19600	1		
12	X-12-208	PIPE PLUG		2	1/8" NPT	
13	X-8L-601	CAPSCREW		1	3/8"-16X3/4"	
14	19779	HOSE CLAMP		1		
19	12880	ELBOW		1	1/8"	
20	55527	HOSE ASSY		1	15"	
21	12769	NIPPLE		1	1/8"	K-1963
22	12881	TEE		1	1/8"	K-1963
22	21086	BRANCH TEE		1	1/8"	

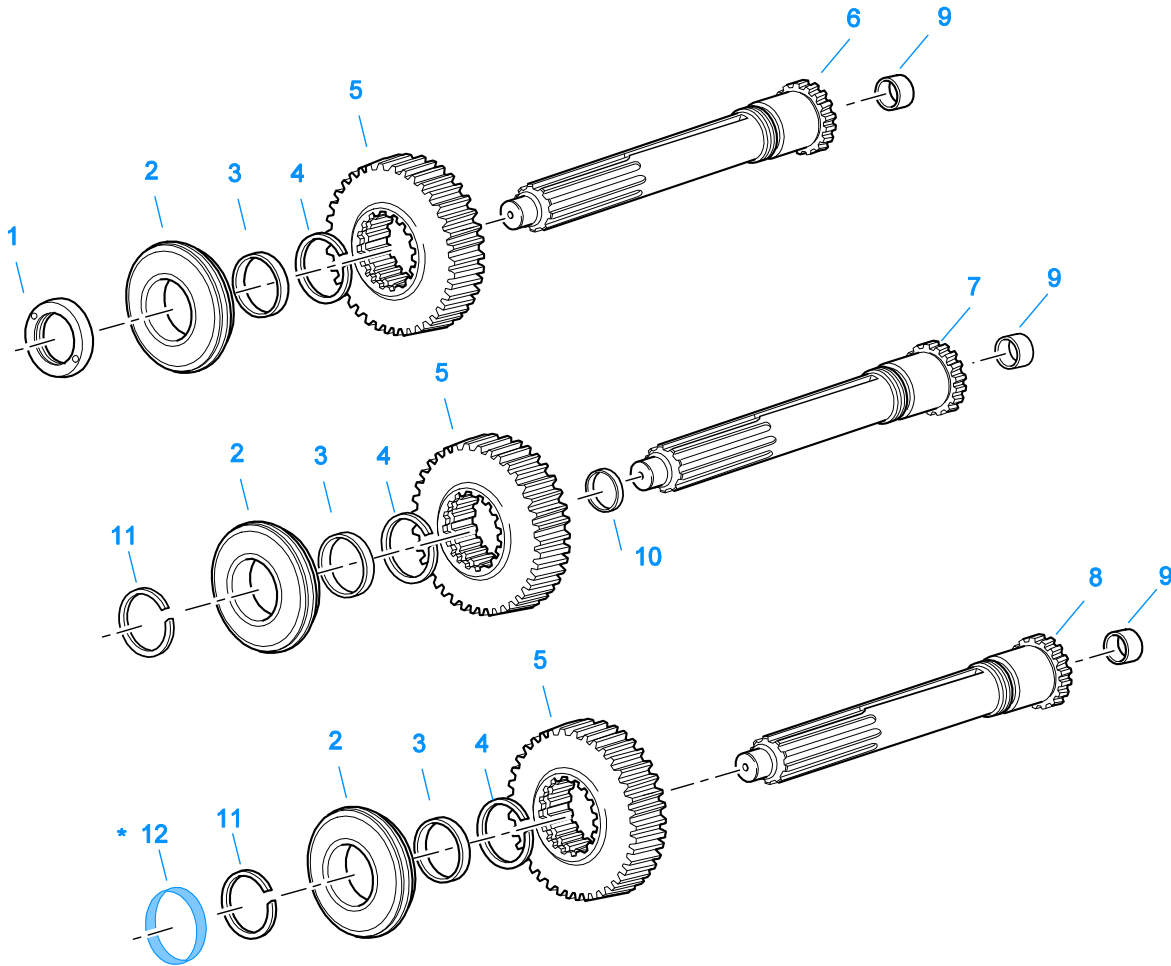
Group: H & C W/A-5000 VALVE



10110J-7-94 A-5000 2A red cyl

### H & C W/A-5000 VALVE

Item	Current Part	Description	Replaced Part	Qty.	Notes	Kits/Assys Where Needed
1	A-5000	SLAVE VALVE ASSY	20850	1		K-1963,K-2424
2	19481	GASKET		1		K-1963,K-2199,K-2424
3	19462	-O- RING	14033	1		A-4688,K-1699,K-1969
4	K-1969	SLEEVE KIT	14362 19460 ,21446	1	FOR SLAVE VALVES	K-1963
5	21268	SPRING	19572	1		K-1963
6	20490	PIN	19459	1		K-1963
7	12845	ELBOW		2	1/8"	K-1963
8	X-8C-411	CAPSCREW		4	1/4"-20X1-3/4"	
9	55518	HOSE ASSY		2	32"	
10	55508	HOSE ASSY		1	30"	
11	A-4740	FILTER/REGULATOR	19600	1		
12	X-12-208	PIPE PLUG		2	1/8" NPT	
13	X-8L-601	CAPSCREW		1	3/8"-16X3/4"	
14	19779	HOSE CLAMP		1		
19	12880	ELBOW		1	1/8"	
20	55527	HOSE ASSY		1	15"	
21	12769	NIPPLE		1	1/8"	K-1963
22	12881	TEE		1	1/8"	K-1963
22	21086	BRANCH TEE		1	1/8"	



10372-5/93 IS (3)

\* For Shipping Only -- Do Not Replace

### INPUT SHAFT & DRIVE GEAR

Item	Current Part	Description	Replaced Part	Qty.	Notes	Kits/Assys Where Needed
1	11466	NUT		1	USE W/19716 SHAFT	
1	8858	NUT		1	PUSH	
1	8997	NUT		1	PULL	
2	4301417	BEARING	81504	1		K-1872,K-1979
3	16463	SPACER		1		
4	14750	SNAP RING		1		K-1802,K-1872,K-1979,K-2468,K-4125
5	21021	MAIN DRIVE GEAR	19241	1	USE W/16118 SL CLUTCH AND 14749 SPACER	
5	4305659	MAIN DRIVE GEAR	22030 4302086,22028	1	USE W/22026 SL CLUTCH AND 22032 SPACER	
6	S-1128	INPUT SHAFT	16465	1	2" PULL - USE W/FBC 15111	
6	S-1129	INPUT SHAFT	16466	1	2" PUSH - USE W/FBC 14994	
7	S-1409	INPUT SHAFT	18837	1	2" PULL W/SEAL - USE W/FBC 18699	
8	S-1659	INPUT SHAFT	20535 23566 4302661	1	2" PULL - USE W/FBC 20550	K-1979,K-2468,K-4125
8	S-1660	INPUT SHAFT	20536 ,23567	1	2" PUSH - USE W/FBC 20549	
9	16566	BUSHING		1		S-1128,S-1129,S-1409,S-1659,S-1660
10	16978	SLEEVE		1	2" W/SEAL	S-1409
11	16980	SNAP RING		1		K-1979,K-2468,K-4125
12	23559	SHIPPING SEAL		1	NOT SOLD FOR SERVICE	



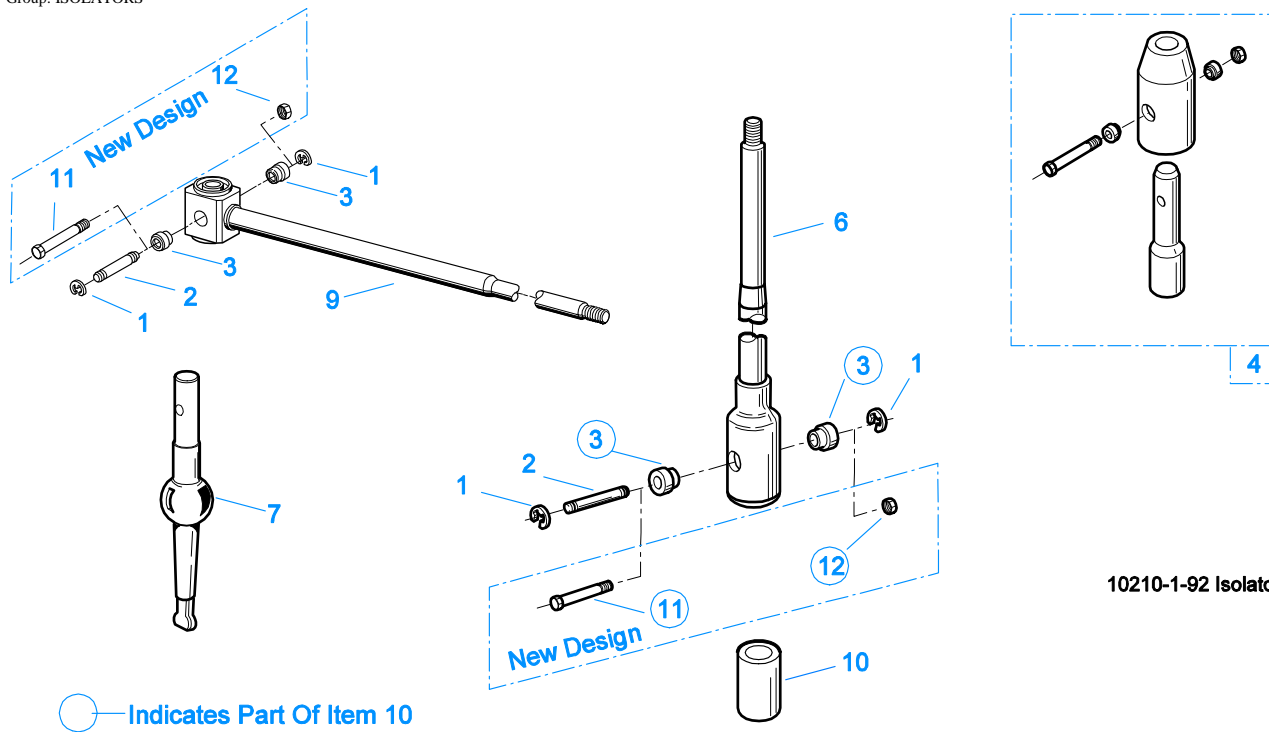


## INTEGRAL OIL PUMP

Item	Current Part	Description	Replaced Part	Qty.	Notes	Kits/Assys Where Needed
1	X-8C-409	CAPSCREW		5	1/4"-20X5/8" - USE WITH 4300751 COVER	
1	X-8C-430	CAPSCREW		5	1/4"-20X7/8" - USE WITH 20513 COVER	
2	K-2402	COVER & SCREW KIT	20513 ,4300751	1		K-2402
3	20514	GASKET		1		
4	20823	PLUG		1		
5	14765	-O- RING		1		K-1432,K-1447,K-1450,K-2002
6	X-8-448	SCREW	X 8 445	3	1/4"-20X1-1/4"	
7	20824	WASHER		3		K-3367
8	20825	DOWEL PIN		1		
9	4303107	RETAINER	20510	1		S-1519
10	K-3367	OIL PUMP KIT	4301829 ,4301948 ,4303776 ,4304529 ,4304572 A - 6963 ,A - 7173	1		
11	20518	CRESCENT RING		1		
12	62516	ROLL PIN	62521	1		
13	62514	ROLL PIN		1		
14	K-3367	OIL PUMP KIT	4301829 ,4301948 ,4303776 ,4304529 ,4304572 A - 6963 ,A - 7173	1		
15	X-14-700	STEEL BALL		1	7/16"	
17	20225	-O- RING		1		
18	4305713	SUCTION TUBE	4304628	1	O-RING INCLUDED ON SUCTION TUBE	K-3367
19	20508	DRIVE SHAFT		1		
20	20509	KEY		2		
21	14853	SNAP RING		2		
22	20511	DRIVE GEAR		1		
23	4306584	CLUTCH HOUSING GASKET	4304815,4305668	1		K-2199
24	S-1519	CASE ASSY	20500	1	FOR USE W/INTEGRAL PUMP	
25	14373	MAGNET ELEMENT		3		S-1318,S-1519
26	20507	ELEMENT		1		
27	K-3367	OIL PUMP KIT	4301829 ,4301948 ,4303776 ,4304529	1		



Item	Current Part	Description	Replaced Part	Qty.	Notes	Kits/Assys Where Needed
999	K-3367	OIL PUMP KIT	,4304572 A - 6963 ,A - 7173 4301829 ,4301948 ,4303776 ,4304529 ,4304572 A - 6963 ,A - 7173	1		



10210-1-92 Isolator

## ISOLATORS

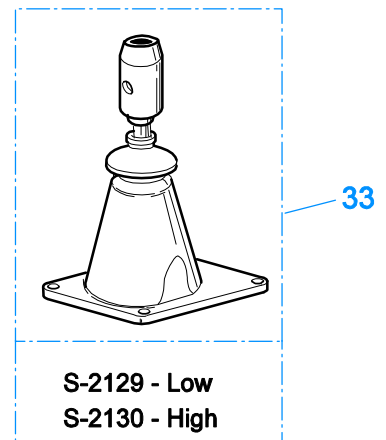
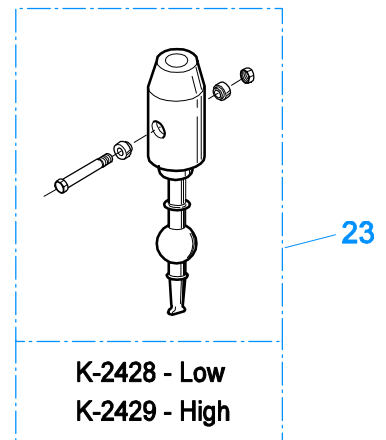
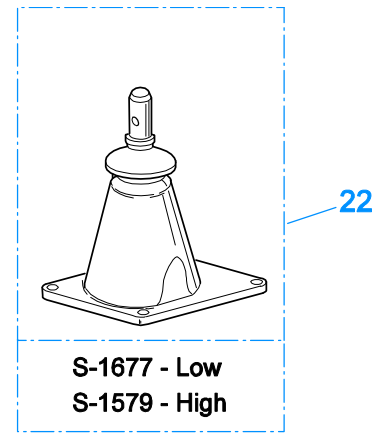
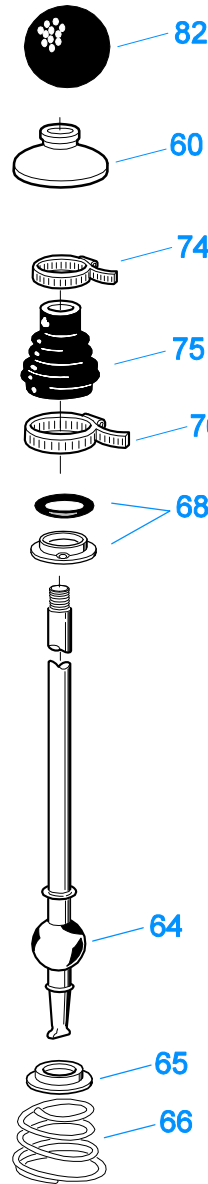
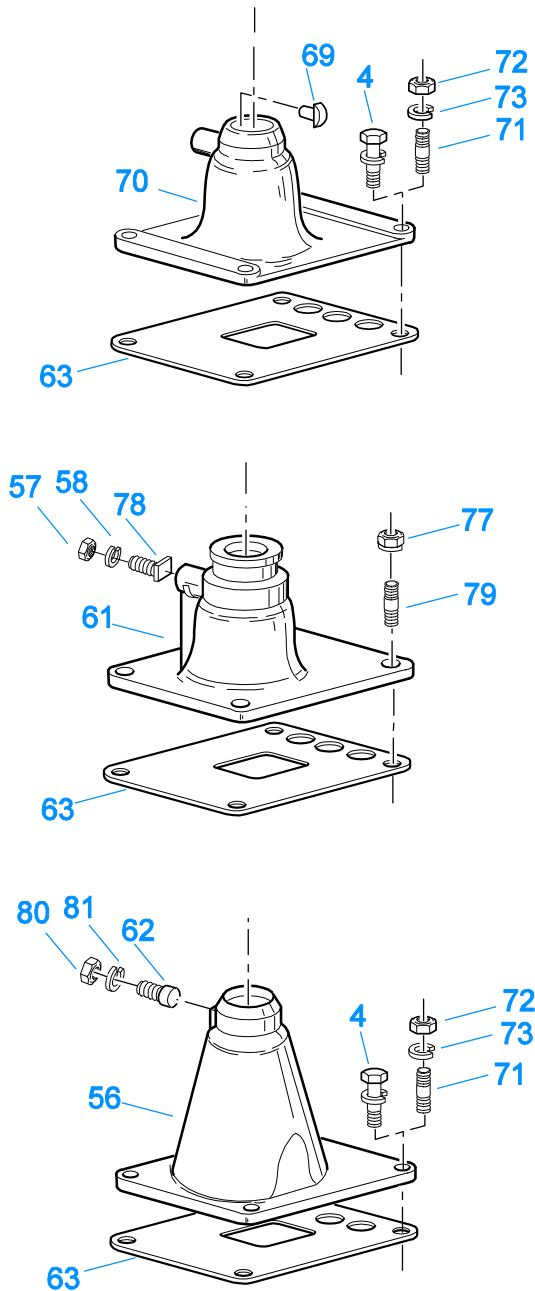
Item	Current Part	Description	Replaced Part	Qty.	Notes	Kits/Assys Where Needed
1	19124	-E- RING		2		
2	K-3467	PIN REPLACEMENT KIT	21245	1		
3	21246	BUSHING		2		K-2003,K-2428,K-2429,K-3399,S-2129,S-2130
4	S-1794	ISOLATOR ASSY		1		
6	21247	LEVER		1	STRAIGHT 18.67"	
7	21235	STUB LEVER		1	LOW TOWER	K-2428,S-1677
7	21236	STUB LEVER		1	HIGH TOWER	K-2429,S-1579,S-2130
9	21767	90 DEG LEVER		1	STRAIGHT 33"	
10	K-3399	ISOLATOR BUSHING KIT	21244 ,23311	1		
11	X-8-560	SCREW		1		
12	X-9-503	NUT		1		

## KITS & ASSEMBLIES

Item	Current Part	Description	Replaced Part	Qty.	Notes	Kits/Assys Where Needed
K-1432		CYL KIT-RANGE		1		
K-1447		-O- RING KIT		1	COMPLETE - RANGE & REDUCTION FOR SMALL BORE SIZE IN REDUCTION CYLINDER	K-1872,K-1979
K-1450		-O- RING KIT-RANGE		1		
K-1451		-O- RING KIT		1	FOR REDUCTION CYLINDER-SMALL BORE	
K-1457		-O- RING KIT		1	FOR INSERT VALVE	
K-1476		SHIFT LEVER HSG	4530 ,17163 ,18298 ,4304905 ,A - 4437	1	LOW TOWER	
K-1546		REPL KIT-MAINSHAFT	15948 ,18134	1		
K-1566		VALVE REPAIR KIT		1	FOR A-3546 VALVE	
K-1613		CAP REPLACEMENT KIT	16429 ,18707	1	FOR A-4688 VALVE	
K-1631		SHIFT LEVER HSG	14456 ,17168 ,4304327	1	LOW	
K-1644		QUILL REPLACEMENT KIT	16833 ,16834	1		
K-1698		-O- RING/ELEMENT KIT		1	FOR FILTER REGULATOR	
K-1699		REPAIR KIT-SLAVE VALVE		1	FOR A-4688 VALVE	
K-1797		CYLINDER KIT - REDN		1		
K-1802		SMALL PARTS KIT		1		
K-1872		BASIC REBUILD KIT		1		
K-1921		MASTER VALVE REPAIR KIT		1	FOR A-6909 & A-5010 VALVES	
K-1922		MASTER VALVE REPAIR KIT		1	FOR A-5015 VALVE	
K-1935		REPAIR KIT-SLAVE VALVE		1	FOR A-5000 VALVE	
K-1956		COOLER INSTLN KIT		1		
K-1963		VALVE CONVERSION KIT		1	CONVERTS A-4688 TO A-5000 VALVE	
K-1969		SLEEVE KIT	14362 19460 ,21446	1	FOR SLAVE VALVES	K-1963
K-1979		BASIC OVERHAUL KIT		1		
K-2002		-O- RING KIT		1	COMPLETE - RANGE & REDECTION FOR ENLARGED BORE SIZE IN REDN. CYLINDER	
K-2003		PIN & BUSHING KIT		1		
K-2010		VALVE CONVERSION KIT		1	FOR A-5010 VALVE	
K-2015		VALVE CONVERSION KIT		1	FOR A-5015 VALVE	
K-2055		MASTER VALVE REPAIR KIT		1	FOR A-5315 VALVE	
K-2078		-O- RING KIT - SPLITTER		1	FOR REDUCTION CYLINDER-ENLARGED BORE	
K-2199		GASKET KIT		1		K-1872,K-1979
K-2256		OIL SEAL KIT	14337 ,19109 ,21036	1		
K-2262		OIL SEAL W/SLINGER	19109 ,20807 ,20808	1	"FOR MECHANICAL COVER"	
K-2309		REPL KIT-DRIVE GEAR	19254 ,4300465	1		
K-2394		AIR SYSTEMS TOOL KIT		1		
K-2402		COVER & SCREW KIT	20513 ,4300751	1		
K-2424		VALVE REPLACEMENT KIT	19470	1		
K-2428		LEVER REPLACEMENT KIT		1	LOW TOWER	
K-2429		LEVER REPLACEMENT KIT		1	HIGH TOWER	
K-2439		KEY & WASHER KIT		1	CONTAINS 3-SIDED KEY	
K-2468		CLUTCH INSTALLATION KIT		1	FOR USE WITH S-1659 INPUT SHAFT ASSY AND 81504 INPUT SHAFT BEARING	
K-2934		COUNTERSHAFT REPL KIT	19549	1		
K-2973		SHIFT LEVER HSG KIT	17166 ,17167 ,4303050 ,4304910 ,K - 1630 K - 1941	1	HIGH TOWER	
K-3192		MASTER VALVE REPAIR KIT		1	FOR A-6915 VALVE	
K-3194		MASTER VALVE REPAIR KIT		1	FOR A-7315 VALVE	

Item	Current Part	Description	Replaced Part	Qty.	Notes	Kits/Assys Where Needed
	K-3217	IDLER SHAFT REPL KIT	4302981	1		
	K-3367	OIL PUMP KIT	4301829 ,4301948 ,4303776 ,4304529 ,4304572 A - 6963 ,A - 7173	1		
	K-3399	ISOLATOR BUSHING KIT	21244 ,23311	1		
	K-3467	PIN REPLACEMENT KIT	21245	1		
	K-3491	SYNCHRONIZER KIT	K - 2445	1	LO RANGE / SMALL PIN	
	K-3492	SYNCHRONIZER KIT	K - 2446	1	LO RANGE / LARGE PIN	
	K-3494	SYNCHRONIZER REPLACEMENT KIT	K - 2448	1	SLIDING CLUTCH INCLUDED IN KIT	
	K-3651	OIL SEAL TOOL KIT		1		
	K-4125	CLUTCH INSTALLATION KIT (RT), HYDRAULIC RELEASE		1	STANDARD RT INPUT SHAFT AND YOKE FOR HYDRAULIC CLUTCH RELEASE	
	S-1128	INPUT SHAFT	16465	1	2" PULL	
	S-1129	INPUT SHAFT	16466	1	2" PUSH	
	S-1219	YOKE ASSY LOW-REV		1		
	S-1318	CASE ASSY	15390	1		
	S-1341	MAINSHAFT ASSY	16761 ,18729	1		
	S-1400	RANGE SECTION ASSY		1		
	S-1400R	REMAN RANGE SECTION ASSY		1		
	S-1404	OIL FILTER	17238	1		
	S-1409	INPUT SHAFT	18837	1	2" PULL W/SEAL	
	S-1440	SHIFT BAR HSG (STD)	15890 ,15928 ,16913 ,17115 ,17180 17182 ,17428 ,18571 ,18640 ,18644 18840 ,18847 ,19448 ,19449 ,19453 19454 ,19455 ,19605 ,20074 ,20210 20211 ,21133 ,22955 ,S - 1360 ,S - 1364 S - 1376 ,S - 1377	1	HOUSING ONLY	
	S-1441	SHIFT BAR HSG (F)	15891 ,16340 ,16564 ,17114 ,17128 17181 ,17218 ,17492 ,17577 ,17900 18203 ,18436 ,18642 ,18646 ,18886 19159 ,19450 ,19451 ,19456 ,19457 19458 ,19717 ,19956 ,20072 ,20212 20213 ,21134 ,22956 ,S - 1106 ,S - 1361 S - 1370 ,S - 1374 ,S - 1375 ,S - 1378	1	HOUSING ONLY	
	S-1445	SHIFT BAR HSG (X)	18920 ,20135 ,20214 ,20215 ,20487 21135 ,4302452	1	HOUSING ONLY (X)	
	S-1446	SHIFT BAR HSG (XF)	18925 ,20136 ,20216 ,20217 ,20488 21136 ,S - 1361	1	HOUSING ONLY (XF)	
	S-1516	CAP ASSY	20851 ,20853	1	FOR A-5000 VALVE	
	S-1519	CASE ASSY	20500	1	FOR USE W/INTEGRAL PUMP	
	S-1527	SHIFT BAR HSG ASSY (X)	20215 ,21135 ,4302452	1	COMPLETE (X)	
	S-1528	SHIFT BAR HSG ASSY (XF)	20217 ,21136	1	COMPLETE (XF)	
	S-1529	SHIFT BAR HSG ASSY (F)	20213 ,22956	1	COMPLETE	
	S-1531	SHIFT BAR HSG ASSY (STD)	20211 ,22955	1	COMPLETE	
	S-1659	INPUT SHAFT	20535 23566 4302661	1	2" PULL	K-1979,K-2468,K-4125
	S-1660	INPUT SHAFT	20536 ,23567	1	2" PUSH	
	S-1794	ISOLATOR ASSY		1		
	S-2119	REAR BRG COVER ASSY	20048 ,22045 ,4302009 ,4302031 ,S - 1558 S - 1560	1	EXTENDED	
	S-2129	SHIFT LEVER HSG ASSY		1	LOW TOWER	
	S-2130	SHIFT LEVER HSG ASSY	S - 2053	1	HIGH TOWER	
	S-2151	REAR BRG COVER ASSY	S - 1429	1		
	S-2540	ROADRANGER VALVE ASSY	A - 5037	1	RT - W/SHIFT DIAGRAM MEDALLION	
	S-2541	ROADRANGER VALVE	A - 5040	1	RTO - W/SHIFT DIAGRAM	

Item	Current Part	Description	Replaced Part	Qty.	Notes	Kits/Assys Where Needed
	S-2548	ASSY ROADRANGER VALVE	A - 5039	1	MEDALLION RT - W/SHIFT DIAGRAM	
	S-2549	ASSY ROADRANGER VALVE	A - 5042	1	MEDALLION RTO - W/SHIFT DIAGRAM	

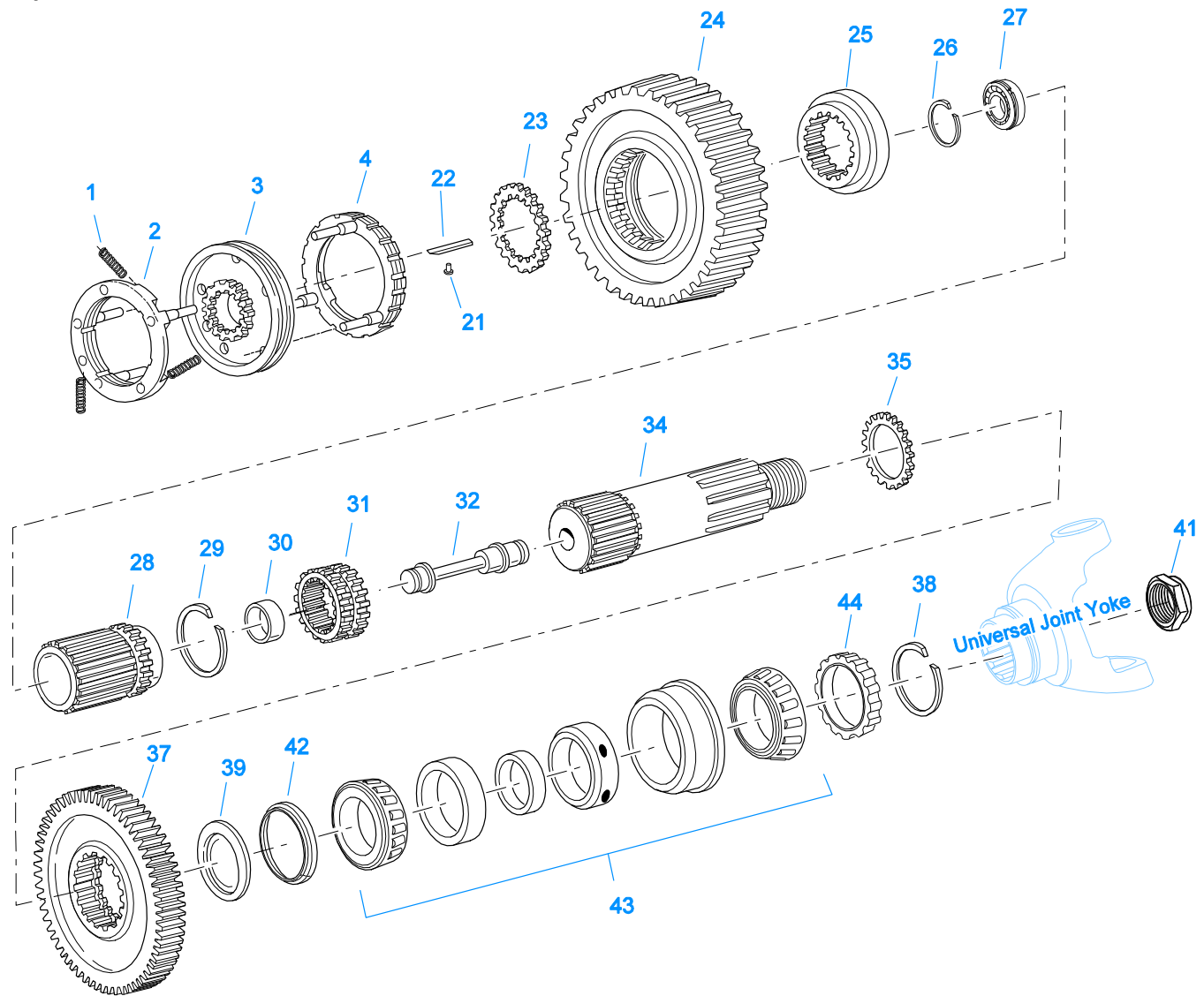


10203-6-94

## LEVERS/HOUSINGS

Item	Current Part	Description	Replaced Part	Qty.	Notes	Kits/Assys Where Needed
4	X-8C-604	CAPSCREW		4	3/8"-16X1-1/4"	S-1445,S-1446,S-1527,S-1528,S-1529,S-1531
23	K-2428	LEVER REPLACEMENT KIT		1	LOW TOWER	
23	K-2429	LEVER REPLACEMENT KIT		1	HIGH TOWER	
24	S-1579	SHIFT TOWER ASSY		1	HIGH TOWER	
24	S-1677	SHIFT TOWER ASSY		1	LOW TOWER	
33	S-2129	SHIFT LEVER HSG ASSY		1	LOW TOWER	

Item	Current Part	Description	Replaced Part	Qty.	Notes	Kits/Assys Where Needed
33	S-2130	SHIFT LEVER HSG ASSY	S - 2053	1	HIGH TOWER	
56	K-2973	SHIFT LEVER HSG KIT	17166 ,17167 ,4303050 ,4304910 ,K - 1630 K - 1941	1	HIGH TOWER	
57	X-1-500	NUT		1	5/16"-24	
58	X-3-500	LOCKWASHER		1	5/16"	
60	10427	BOOT		1		K-1476,K-2973,S- 1579,S-1677,S-2130
61	K-1631	SHIFT LEVER HSG	14456 ,17168 ,4304327	1	LOW, USE W/14795 BOOT	
62	6541	PIN		1	3/8"	
63	4305294	GASKET	4303431	1		K-1476,K-1631,K- 2199,K-2428,K- 2429,K-2973,S-1527,S- 1528,S-1529,S-1531,S- 1579,S-1677,S-2129,S- 2130
64	17600	GEAR SHIFT LEVER		1	STRAIGHT - LOW 21-1/2"	
64	18482	GEAR SHIFT LEVER		1	STRAIGHT - HIGH 35"	
65	2538	RETAINER		1		K-1476,K-2973,S- 1579,S-1677,S-2130
66	2536	SPRING		1		K-1476,K-2973,S- 1579,S-1677,S-2130
68	K-3376	O-RING & WASHER KIT	4301211	1		
69	18299	PIN		1		K-1476,S-1677
70	K-1476	SHIFT LEVER HSG	4530 ,17163 ,18298 ,4304905 ,A - 4437	1	LOW TOWER	
71	11934	STUD	7467	4		
72	X-1-600	NUT		4	3/8"-24-N.F.PLAIN	
73	X-3-600	LOCKWASHER		4	3/8"	
74	14453	CLAMP		1		
75	14795	BOOT		1		
76	14454	CLAMP		1		
77	X-1-604	NUT		4	3/8"-24	
78	14461	PIN		1		
79	14236	NO LONGER AVAILABLE		4		
80	X-1-600	NUT		1	3/8"-24-N.F.PLAIN	
81	X-3-600	LOCKWASHER		1	3/8"	
82	17560	LEVER GRIP		1	1/2"-13	



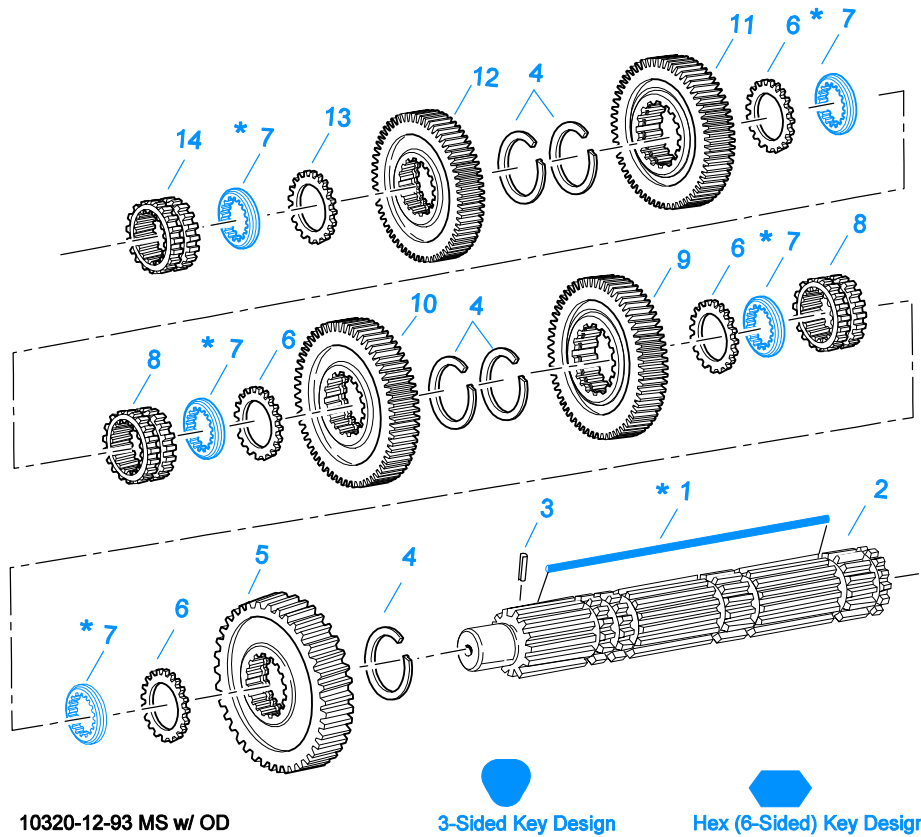
10431-8-94 Aux MS red

### MAINSHAFT & SYNCHRO(AUX)

Item	Current Part	Description	Replaced Part	Qty.	Notes	Kits/Assys Where Needed
1	14897	SPRING		3		K-1802,K-1872,K-1979,K-3491,K-3492,K-3494
2	A-7331	SYNCHRONIZER ASSY	4304396 4304397 A - 5917	1	HI RANGE	K-3491,K-3492,K-3494
3	20323	SLIDING CLUTCH		1		K-3494
4	A-6153	SYNCHRONIZER ASSY	A - 4416	1	LO RANGE - SMALL PIN	K-3491
4	A-7254	SYNCHRONIZER ASSEMBLY	A - 4937 A - 5876	1	LO RANGE - LARGE PIN	K-3492,K-3494
21	14832	PIN		1		A-3697
22	A-3697	KEY & PIN ASSY	15516	1		K-1802
23	15932	WASHER .202-.204 BLACK		1		
23	17257	WASHER .206-.208 PURPLE		1		
23	17258	WASHER .210-.212 YELLOW		1		
24	19277	LO GEAR-MAINSHAFT		1		
25	18193	MAINSHAFT COUPLER	15938	1		
26	14291	SNAP RING		1		K-1802,K-1872,K-1979
27	81547-BOX	BEARING	81547	1		K-1872,K-1979



Item	Current Part	Description	Replaced Part	Qty.	Notes	Kits/Assys Where Needed
28	K-1546	REPL KIT-MAINSHAFT	15948 ,18134	1		
29	18135	SNAP RING		1		K-1546,K-1802
30	16516	BUSHING		1		K-1872,K-1979
31	17242	SLIDING CLUTCH		1		
32	K-1644	QUILL REPLACEMENT KIT	16833 ,16834	1		
34	A-4736	MAINSHAFT ASSY	19286	1		
35	17248	WASHER		1		K-1802
37	20024	REDUCTION GEAR		1		
38	18114	SNAP RING		1		K-1802
39	19544	WASHER		1		K-1802
41	22254	NUT	11956	1		S-1400
42	18125	RING		1		
43	15260	BEARING		1		K-1872,K-1979
44	20191	ROTOR		1		



**\* Updating to 3-Sided Key is Recommended.**  
**When Updating to 3-Sided Key Replace all Washers to Match Key Design**  
**Always Use Matching Key and Washer Sets (See Appendix - Mainshaft Washers)**

**MAINSHAFT ASSY**

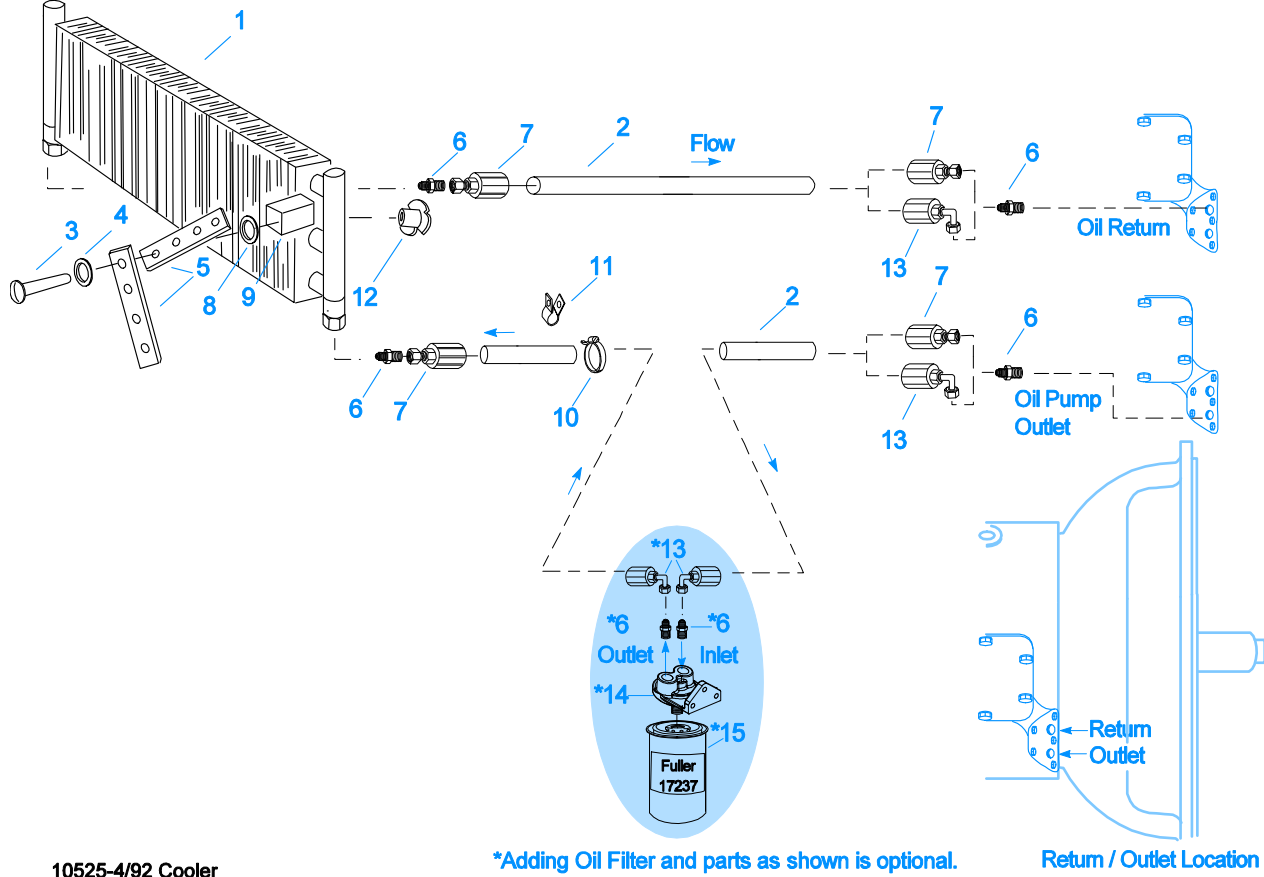
Item	Current Part	Description	Replaced Part	Qty.	Notes	Kits/Assys Where Needed
1	17109	HEX (6-SIDED) KEY		1	MUST USE MATCHING WASHERS	
1	4304615	3-SIDED KEY	4300120	1		K-2439
1	K-2439	KEY & WASHER KIT		1	CONTAINS 3-SIDED KEY	
2	S-1341	MAINSHAFT ASSY	16761 ,18729	1		
3	62504	ROLL PIN		1		S-1341
4	14750	SNAP RING		5		K-1802,K-1872,K-1979,K-2468,K-4125
5	16756	REVERSE GEAR-MAINSHAFT	22408	1		
6	14749	SPACER		4		K-1802
7	14711	WASHER .248-.250 WHITE	18701	5	OPTIONAL 14711-14716 USE ANY 5 WASHERS USE WITH 17109 KEY	K-1802
7	14712	WASHER .253-.255 GREEN	18702	5	OPTIONAL 14711-14716 USE ANY 5 WASHERS USE WITH 17109 KEY	K-1802
7	14713	WASHER .258-.260 ORANGE	18703	5	OPTIONAL 14711-14716 USE ANY 5 WASHERS USE WITH 17109 KEY	K-1802
7	14714	WASHER .263-.265 PURPLE	18704	5	OPTIONAL 14711-14716 USE ANY 5 WASHERS USE WITH 17109 KEY	
7	14715	WASHER .268-.270 YELLOW	18705	5	OPTIONAL 14711-14716 USE ANY 5 WASHERS USE WITH 17109 KEY	
7	14716	WASHER .273-.275 BLACK	18706	5	OPTIONAL 14711-14716 USE ANY 5 WASHERS USE WITH 17109 KEY	
7	4300382	WASHER .249-WHITE		5		K-2439
7	4300383	WASHER .254-GREEN		5	OPTIONAL 4300382-4300387 OR 4300830 USE ANY 5 WASHERS. USE WITH 3-SIDED KEY	K-2439

Item	Current Part	Description	Replaced Part	Qty.	Notes	Kits/Assys Where Needed
7	4300384	WASHER .259-ORANGE		5	OPTIONAL 4300382-4300387 OR 4300830 USE ANY 5 WASHERS. USE WITH 3-SIDED KEY	K-2439
7	4300385	WASHER .264-PURPLE		5	OPTIONAL 4300382-4300387 OR 4300830 USE ANY 5 WASHERS. USE WITH 3-SIDED KEY	
7	4300386	WASHER .269-YELLOW		5	OPTIONAL 4300382-4300387 OR 4300830 USE ANY 5 WASHERS. USE WITH 3-SIDED KEY	
7	4300387	WASHER .274-BLACK		5	OPTIONAL 4300382-4300387 OR 4300830 USE ANY 5 WASHERS. USE WITH 3-SIDED KEY	
7	4300830	WASHER .244-BLUE		5		K-2439
8	16118	SLIDING CLUTCH		2		K-1979
9	16754	LO GEAR-MAINSHAFT		1		
10	20389	1ST GEAR-MAINSHAFT	19246	1		
11	20390	2ND GEAR-MAINSHAFT	19614	1		
12	19632	OD GEAR-MAINSHAFT		1	USE W/16118 SL CLUTCH AND 14749 SPACER	
12	4302088	OD GEAR-MAINSHAFT	22027 22031	1	USE W/22026 SL CLUTCH AND 22032 SPACER	
13	14749	SPACER		1	USE W/16118 SL CLUTCH AND 19632 OD GEAR	K-1802
13	22032	SPACER		1	USE W/22026 SL CLUTCH AND 22027 OD GEAR	
14	16118	SLIDING CLUTCH		1	USE W/14749 SPACER AND 19632 OD GEAR	K-1979
14	4304317	SLIDING CLUTCH	22026	1	USE W/22032 SPACER AND 22027 OD GEAR	

## MISCELLANEOUS

Item	Current Part	Description	Replaced Part	Qty.	Notes	Kits/Assys Where Needed
20465		SHIFT DIAGRAM LABEL	19822	1	RTO-RTOF	
20466		SHIFT DIAGRAM LABEL		1	RTX-RTXF	
21075		WARNING LABEL		1		
71203		SILICONE LUBE		1	8 OZ (236.59 CC)-FLEET SIZE	
71204		ADHESIVE SEALANT		1	0.5 CC (SINGLE APPLICATION SIZE)	
71205		SEALANT		1	2 CC (SINGLE APPLICATION SIZE)	K-1979
71206		SILICONE LUBE		1	4 CC (SINGLE APPLICATION SIZE)	K-1432,K-1447,K-1450,K-1451,K-1566,K-1699,K-1797,K-2002,K-2078,K-2428,K-2429,K-3331

Group: OIL COOLER



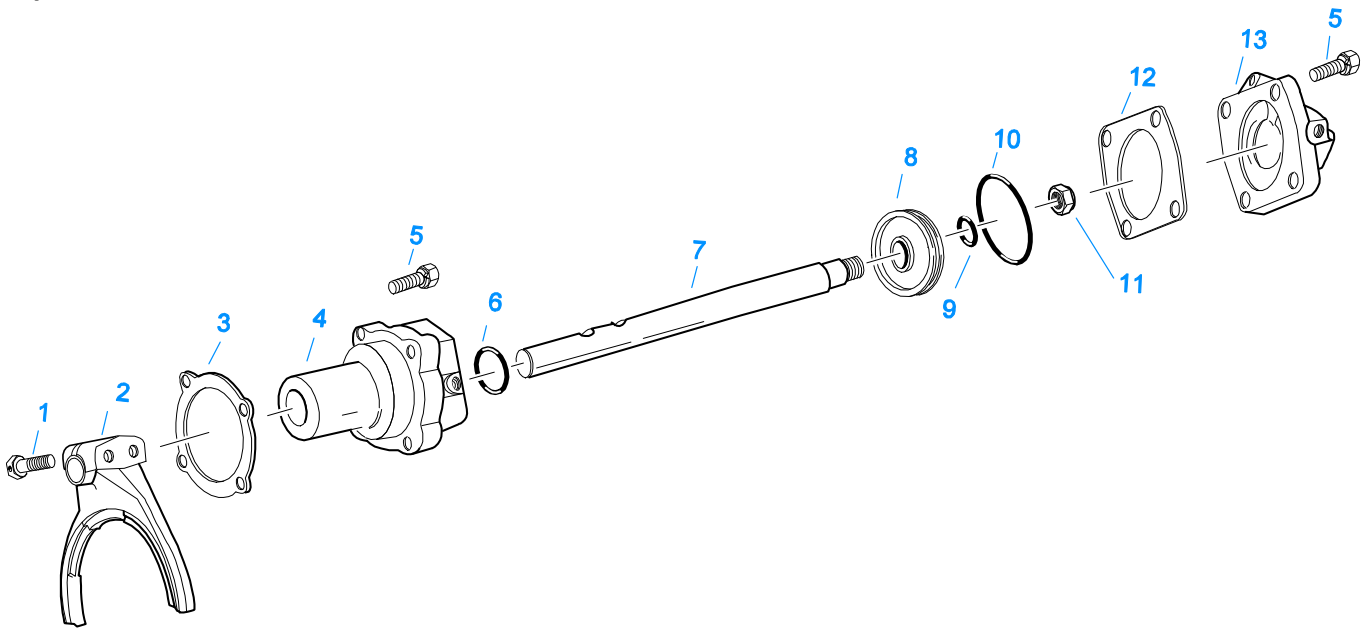
10525-4/92 Cooler

\*Adding Oil Filter and parts as shown is optional.

Return / Outlet Location

## OIL COOLER

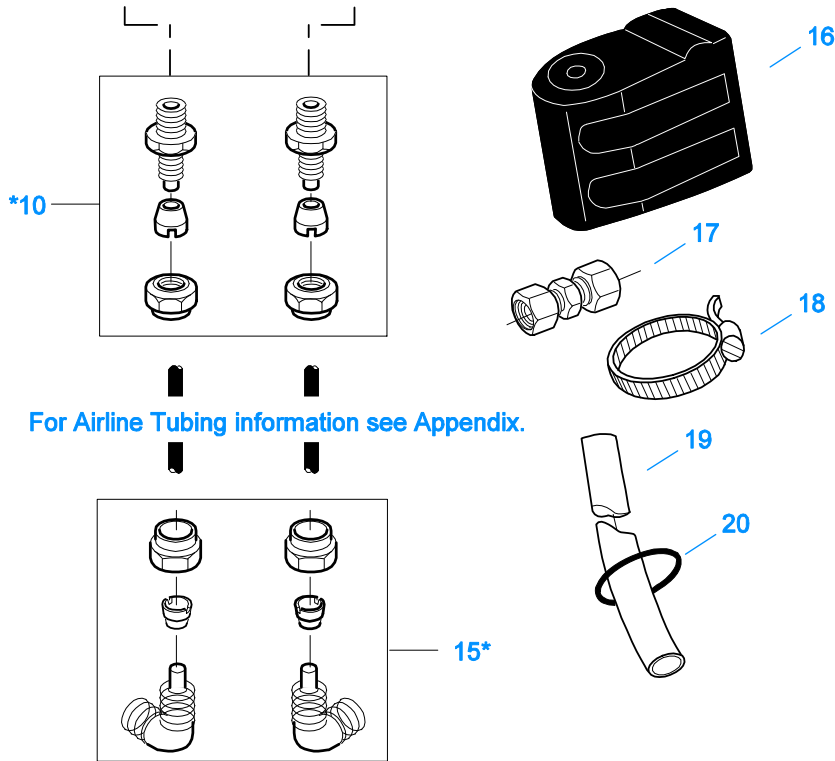
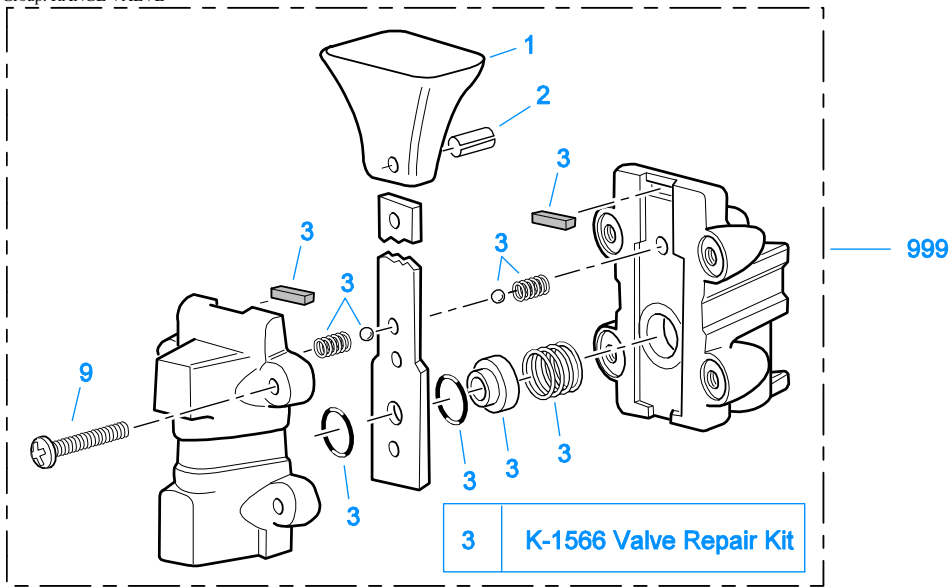
Item	Current Part	Description	Replaced Part	Qty.	Notes	Kits/Assys Where Needed
1	18025	OIL COOLER		1		K-1956
2	19424	HOSE		1	25 FEET	K-1956
3	X-8-535	CAPSCREW		2	5/16"-16X2-1/2"	
4	X-3-506	LOCKWASHER		2	5/16"	
5	18211	BRACKET		4		K-1956
6	19419	CONNECTOR		6		K-1956,S-1404
7	19415	SWIVEL		4		K-1956
8	X-10-501	WASHER		2	5/16"	
9	18209	PLUG-RUBBER MOUNT		2		K-1956
10	17190	STRAP		8		K-1956
11	19423	CLAMP		5		K-1956
12	18210	NUT		2		K-1956
13	19422	ELBOW		4		K-1956
14	S-1404	OIL FILTER	17238	1		
15	17237	FILTER ELEMENT		1		S-1404



10462-4/92 Rng Cyl

## RANGE CYLINDER

Item	Current Part	Description	Replaced Part	Qty.	Notes	Kits/Assys Where Needed
1	X-7-809	BOLT	X 7 810 ,X 7 811	2	1/2"-20X1-3/4"	
2	22823	SHIFT YOKE	16775	1		
3	14347	GASKET		1		K-1432,K-2199
4	16777	AUXILIARY CYLINDER		1		K-1432
5	X-8L-604	CAPSCREW		8	3/8"-16X1-1/4"	
6	14765	-O- RING		1		K-1432,K-1447,K-1450,K-2002
7	19306	YOKE BAR		1		
8	14341	PISTON	23353	1		K-1432
9	14345	-O- RING		1		K-1432,K-1447,K-1450,K-2002
10	14344	-O- RING		1		K-1432,K-1447,K-1450,K-2002
11	X-1-1010	NUT		1	5/8"-18	
12	14349	GASKET		1		K-1432,K-1447,K-1450,K-2002,K-2199
13	19690	CYLINDER COVER		1		



For Airline Tubing information see Appendix.

\*For Connector and Elbow Assy component information see Appendix

10099-5/93 AV

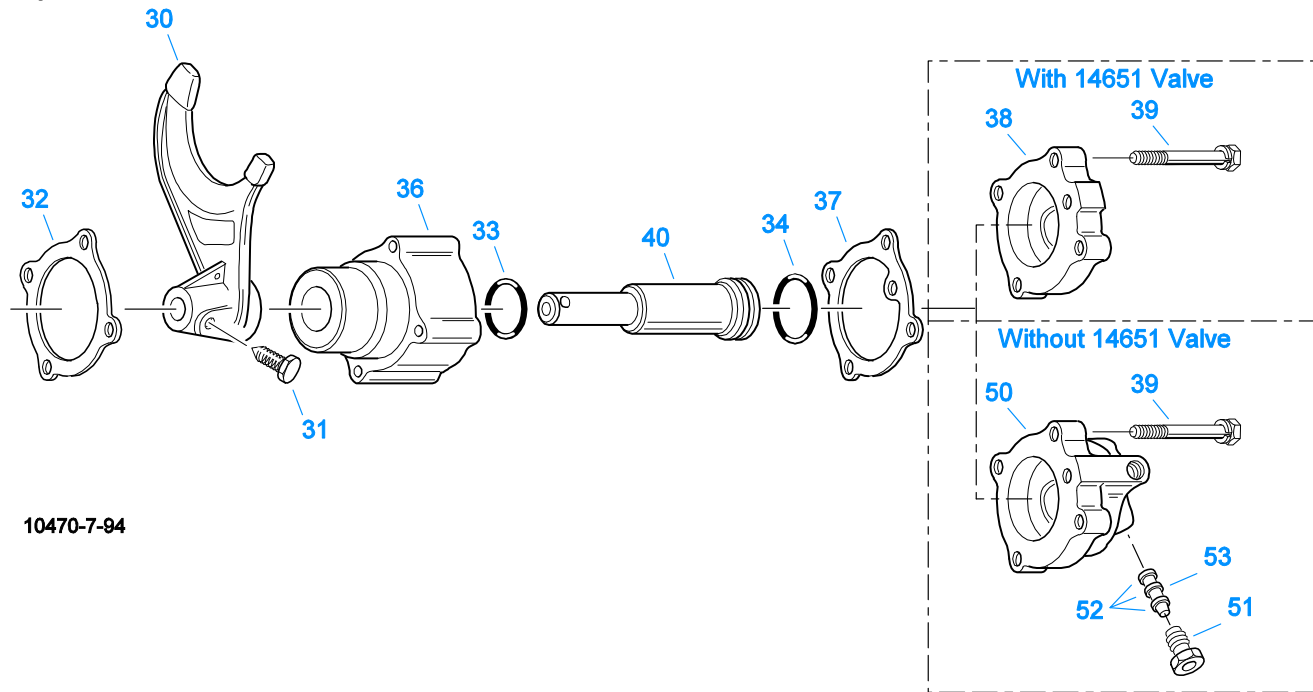
## RANGE VALVE

Item	Current Part	Description	Replaced Part	Qty.	Notes	Kits/Assys Where Needed
1	15120	KNOB		1		A-3546
2	62512	ROLL PIN		1		A-3546
3	K-1566	VALVE REPAIR KIT		1	FOR A-3546 VALVE	
9	X-13-214	SCREW		4	8-32X3/4"	
10	84002	CONNECTOR ASSY	82502	2	1/8" TUBE-1/8" NPTF	K-1963, K-1979
10	84004	CONNECTOR ASSY	82504	2	5/32" TUBE-1/8" NPTF	
10	84006	CONNECTOR ASSY		2	"PUSH-TO-CONNECT" 5/32" TUBE-	K-2010, K-2015

Item	Current Part	Description	Replaced Part	Qty.	Notes	Kits/Assys Where Needed
15	85001	ELBOW ASSY	84501	2	1/8"NPTF 5/32"TUBE-1/8"NPTF	
15	85002	ELBOW ASSY	84502	2	1/8"TUBE-1/8"NPTF	K-1963,K-1979
15	85003	ELBOW ASSY		2	"PUSH-TO-CONNECT" 5/32"TUBE-1/8"NPTF	K-2010,K-2015,K-3331
16	18905	NO LONGER AVAILABLE		1		
17	84101	UNION ASSY		1	1/8" TUBING	
17	84102	UNION ASSY		1	5/32" TUBING	
17	84103	UNION ASSY		1	"PUSH-TO-CONNECT" 5/32" TUBING	K-2010,K-2015
18	14441	CLAMP	14465	1		
19	80120	SHEATHING (50 FT ROLL)		1	5/32" - BLACK 50'	
20	13571	-O- RING CLAMP		2		
999	A-3546	RANGE VALVE ASSY	18268 ,18269 ,18272	1		



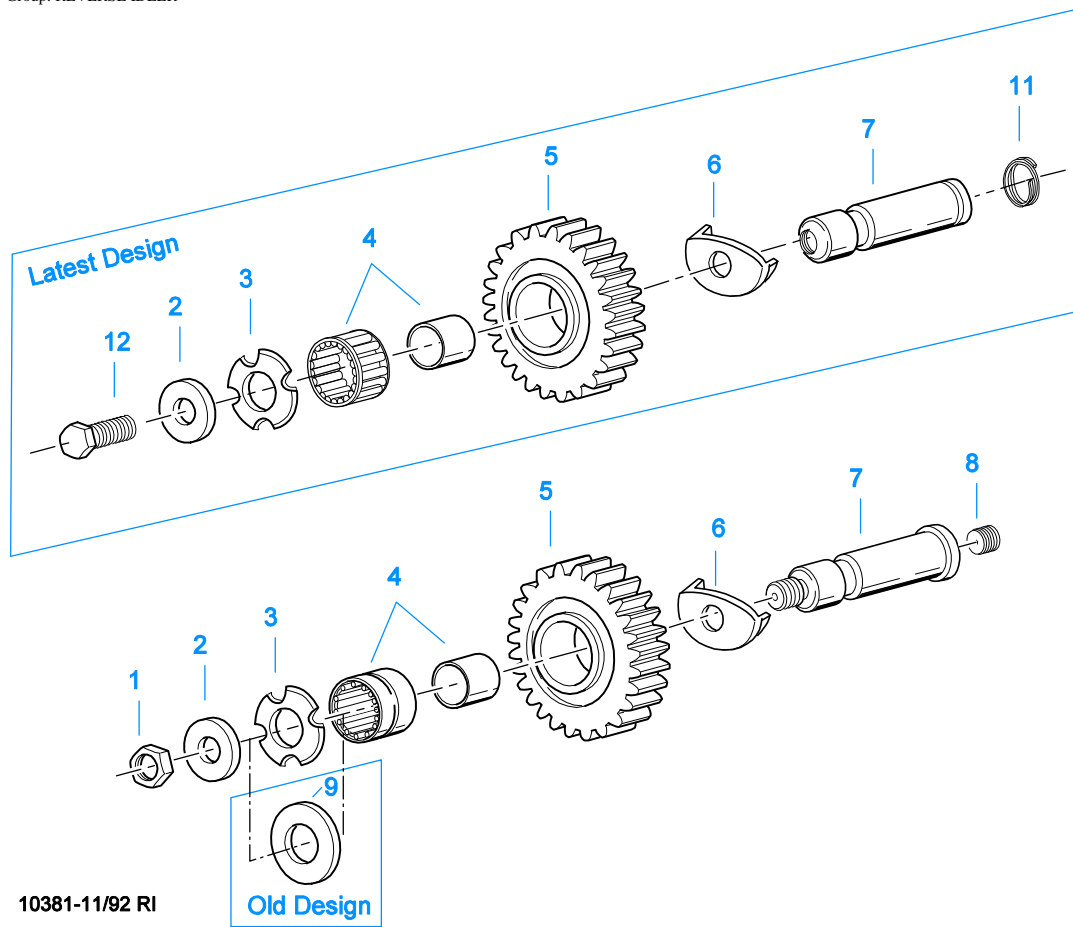
Group: REDUCTION CYLINDER



10470-7-94

## REDUCTION CYLINDER

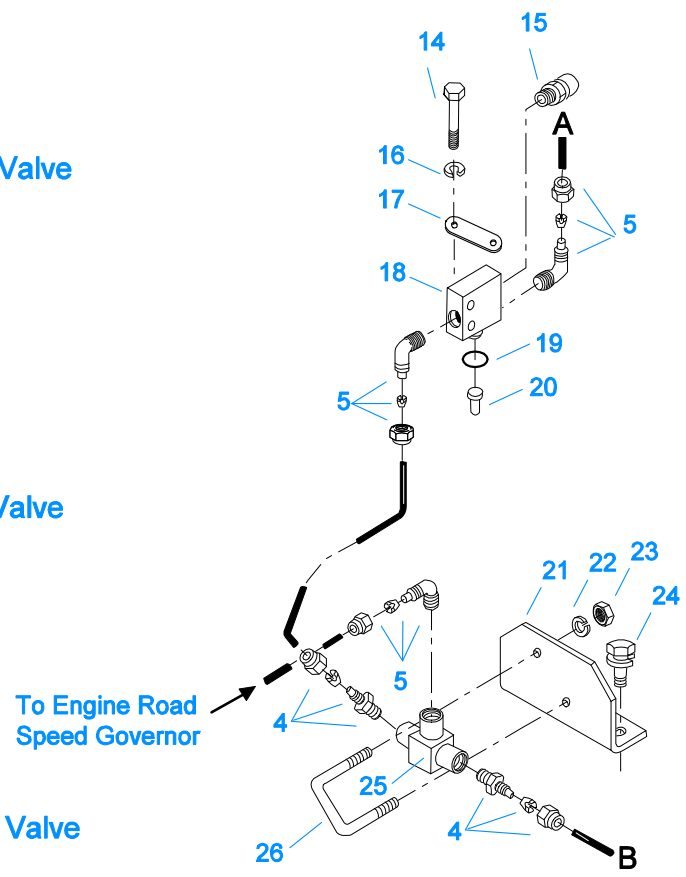
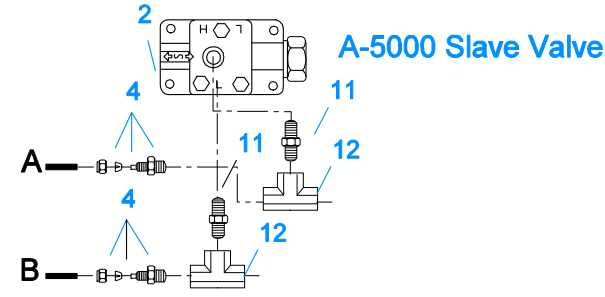
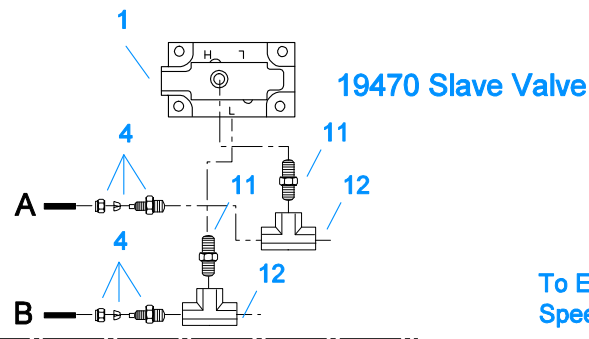
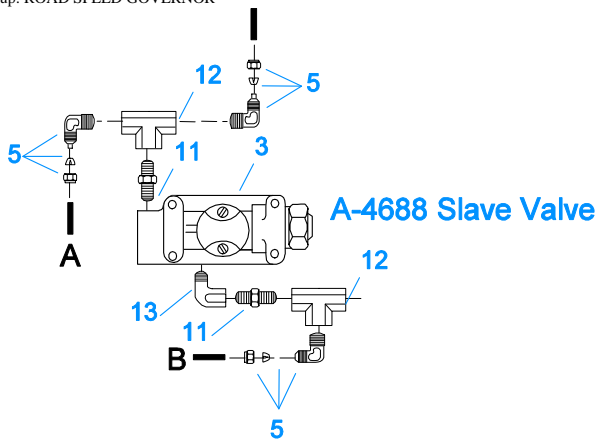
Item	Current Part	Description	Replaced Part	Qty.	Notes	Kits/Assys Where Needed
30	17245	SHIFT YOKE		1		
31	3220	LOCKSCREW		1		S-1527,S-1528,S-1529,S-1531
32	14632	GASKET		1		K-1797,K-2078,K-2199
33	14644	-O- RING		1	USE W/19287 YOKE BAR & PISTON	K-1447,K-1451,K-1797
33	21208	-O- RING		1	(ENLARGED BORE SIZE) USE W/21251 YOKE BAR & PISTON	K-1872,K-1979,K-2002,K-2078
34	14621	-O- RING		1	USE W/19287 YOKE BAR & PISTON	K-1447,K-1451,K-1797
34	21209	-O- RING		1	(ENLARGED BORE SIZE) USE W/21251 YOKE BAR & PISTON	K-1872,K-1979,K-2002,K-2078
36	17070	AUXILIARY CYLINDER		1	USE W/19287 YOKE BAR & PISTON	K-1797
36	21210	AUXILIARY CYLINDER		1	(ENLARGED BORE SIZE) USE W/21251 YOKE BAR & PISTON	
37	17073	GASKET		1		K-1797,K-2002,K-2078,K-2199
38	17072	CYLINDER COVER		1		K-1797
39	X-8L-540	CAPSCREW		4	5/16"-18X1-7/8"	
40	19287	YOKE BAR & PISTON		1	USE W/17070 CYLINDER	K-1797
40	21251	YOKE BAR & PISTON		1	(ENLARGED BORE SIZE) USE W/21210 CYLINDER	
50	K-3331	SPLITTER VLV REPL KIT	4300927 4304031 ,4304032 ,A - 6862	1		K-2015
51	15719	PLUG		1		
52	13653	-O- RING		3		K-1457,K-3331
53	19974	INSERT VALVE	15512 4303616	1		K-1872,K-1979



10381-11/92 RI

## REVERSE IDLER

Item	Current Part	Description	Replaced Part	Qty.	Notes	Kits/Assys Where Needed
1	X-1-1008	NUT		2	5/8"-18	
2	14283	WASHER		2		K-3217
3	4302982	WASHER	14282	2		K-3217,S-1318,S-1519
4	14287	BEARING	4305020	2		K-1872,K-1979
5	16757	REVERSE IDLER GEAR	22409	2		
6	16403	WASHER		2		K-3217
7	K-3217	IDLER SHAFT REPL KIT	4302981	2		
8	5202	PLUG		2		
9	14282	NO LONGER AVAILABLE		2		
11	4303336	RETAINING RING		2		K-3217
12	X-7-1008	CAPSCREW		2	5/8"-18X1-1/4	

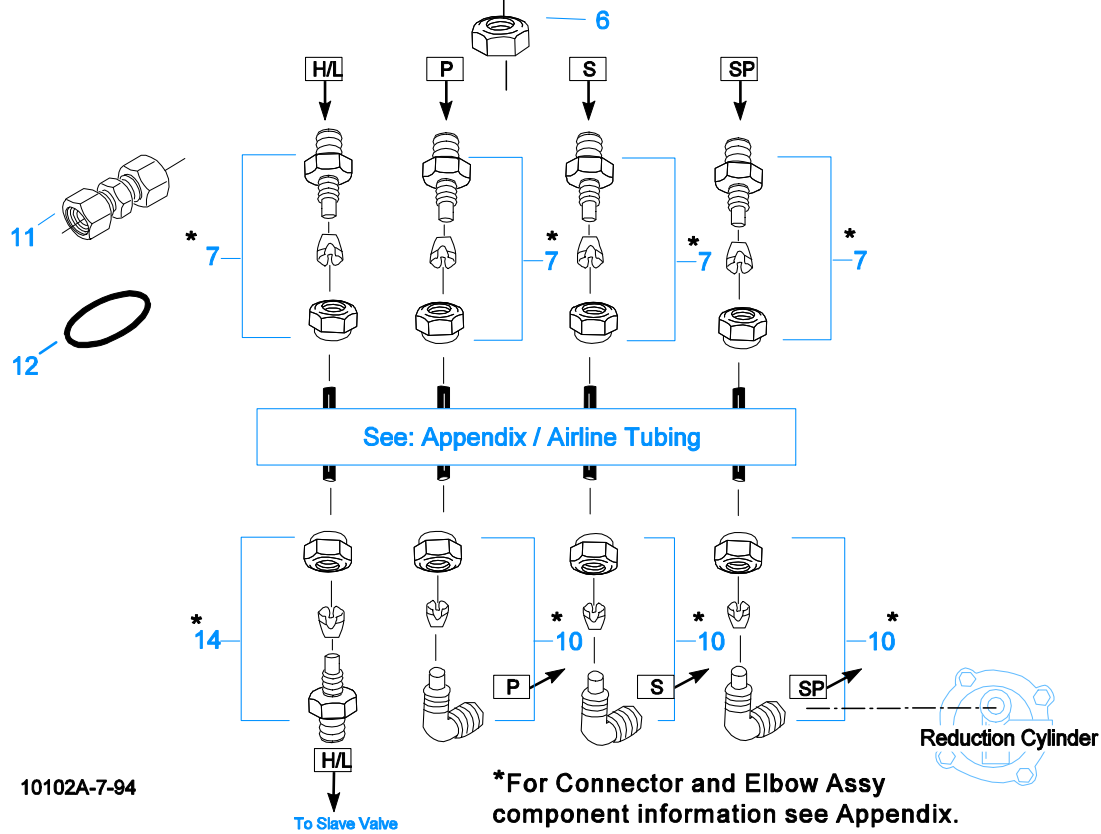
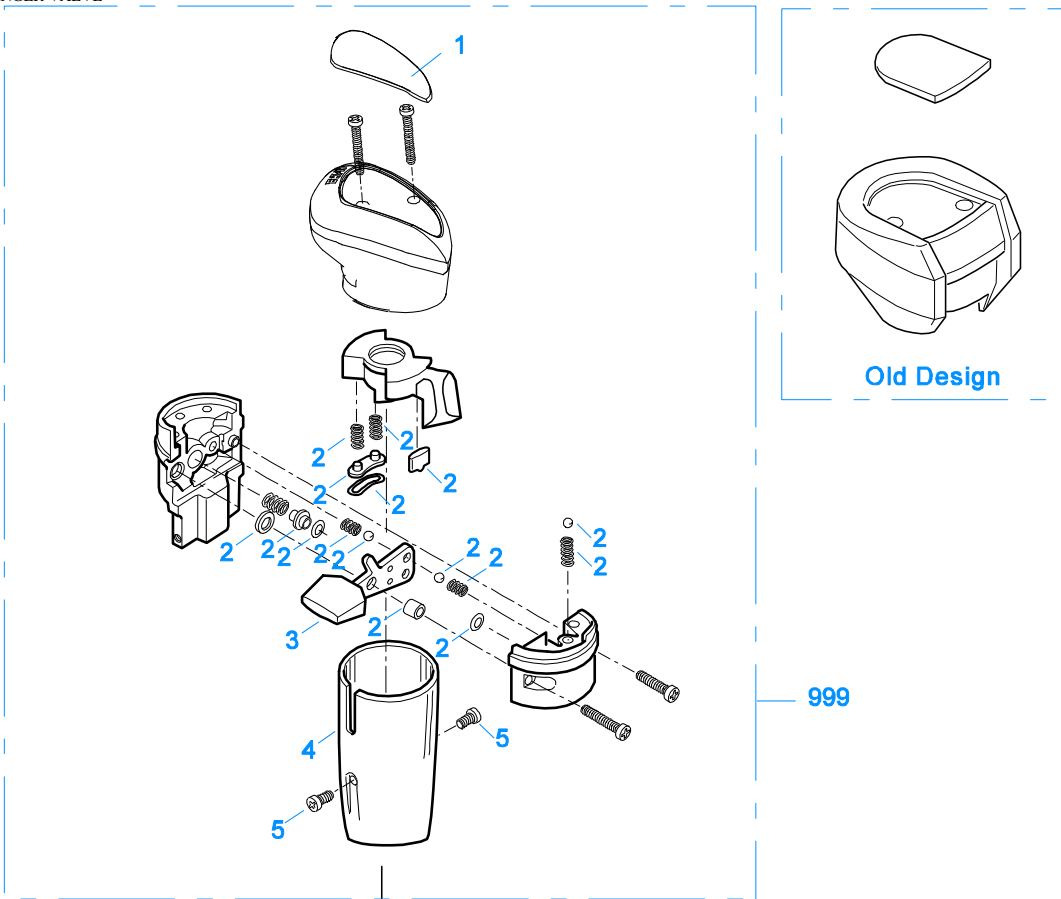


10501-6-94 HC/RSG

## ROAD SPEED GOVERNOR

Item	Current Part	Description	Replaced Part	Qty.	Notes	Kits/Assys Where Needed
1	K-2424	VALVE REPLACEMENT KIT	19470	1		
2	A-5000	SLAVE VALVE ASSY	20850	1		K-1963,K-2424
3	A-4688	SLAVE VALVE ASSY	15125 ,19464 ,A - 3991	1		
4	84002	CONNECTOR ASSY	82502	4	1/8" TUBE-1/8" NPTF	K-1963,K-1979
4	84004	CONNECTOR ASSY	82504	4	5/32" TUBE-1/8" NPTF	
4	84006	CONNECTOR ASSY		4	"PUSH-TO-CONNECT" 5/32" TUBE-1/8" NPTF	K-2010,K-2015
5	85001	ELBOW ASSY	84501	6	5/32" TUBE-1/8" NPTF	
5	85002	ELBOW ASSY	84502	6	1/8" TUBE-1/8" NPTF	K-1963,K-1979
5	85003	ELBOW ASSY		6	"PUSH-TO-CONNECT" 5/32" TUBE-1/8" NPTF	K-2010,K-2015,K-3331
11	12769	NIPPLE		2	1/8"	K-1963
12	12881	TEE		2	1/8"	K-1963
13	12845	ELBOW		1	1/8"	K-1963
14	X-8-434	CAPSCREW		2	1/4"-20X2"	
15	7935	BREATHER		1		
16	X-3-400	LOCKWASHER		2	1/4"	
17	20199	PLATE	18724	1		S-1440,S-1441,S-1445,S-1446,S-1527,S-1528,S-1529,S-1531

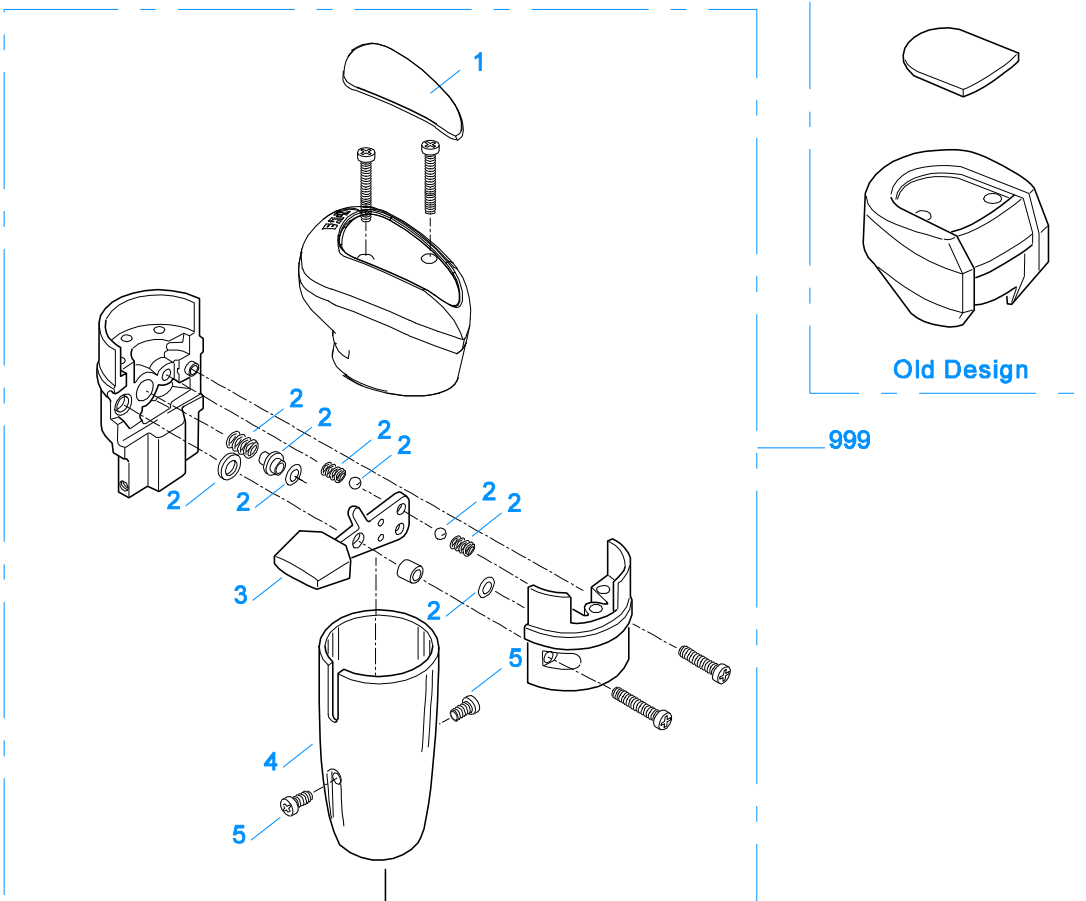
Item	Current Part	Description	Replaced Part	Qty.	Notes	Kits/Assys Where Needed
18	18734	VALVE		1		
19	18656	NO LONGER AVAILABLE		1		
20	15899	PIN		1	RTO-RTOF	S-1440,S-1441,S-1445,S-1446,S-1527,S-1528,S-1529,S-1531
20	20119	PIN		1	RTX-RTXF	
21	18685	NO LONGER AVAILABLE		1		
22	X-3-305	LOCKWASHER		2	#10	
23	X-1-250	NO LONGER AVAILABLE		2	#10-32	
24	X-8L-602	CAPSCREW		2	3/8"-16X1-1/2"	
25	18675	VALVE		1		
26	18684	NO LONGER AVAILABLE		1		



10102A-7-94

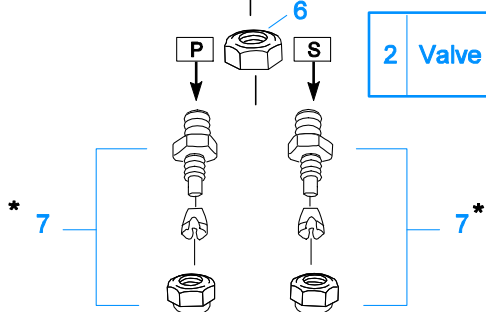
## ROADRANGER VALVE

Item	Current Part	Description	Replaced Part	Qty.	Notes	Kits/Assys Where Needed
1	20107	MEDALLION, LOGO		1	(OLD DESIGN) FULLER LOGO ONLY	
1	21691 1	LOGO MEDALLION (OLD DESGIN) FULLER LOGO (LEFT OF DRIVER)	4302349, 4300370			
1	5586100	MEDALLION, LOGO		1	(LATEST DESIGN) FULLER LOGO ONLY	A-6909,A-6915,A-7315
1	5586115	SHIFT DIAGRAM MEDALLION		1	RT	S-2548
1	5586116	SHIFT DIAGRAM MEDALLION		1	RTO	S-2549
2	K-1922	MASTER VALVE REPAIR KIT		1	FOR A-5015 VALVE	
2	K-2055	MASTER VALVE REPAIR KIT		1	FOR A-5315 VALVE	
2	K-3192	MASTER VALVE REPAIR KIT		1	FOR A-6915 VALVE	
2	K-3194	MASTER VALVE REPAIR KIT		1	FOR A-7315 VALVE	
3	20496	LEVER		1		A-6915,A-7315
4	20112	COVER		1		A-6909,A-6915,A-7315
5	X-8-213	SCREW	X 8 202	2	8-32X3/8"	
6	X-9-802	NUT		1	1/2"-13	
7	84001	CONNECTOR ASSY	82501	4	1/8"TUBE-1/16"NPTF	
7	84003	CONNECTOR ASSY	82503	4	5/32"TUBE-1/16"NPTF	
7	84005	CONNECTOR ASSY		4	"PUSH-TO-CONNECT" 5/32"TUBE-1/16"NPTF	K-2010,K-2015
10	85001	ELBOW ASSY	84501	3	5/32"TUBE-1/8"NPTF	
10	85002	ELBOW ASSY	84502	3	1/8"TUBE-1/8"NPTF	K-1963,K-1979
10	85003	ELBOW ASSY		3	"PUSH-TO-CONNECT" 5/32"TUBE-1/8"NPTF	K-2010,K-2015,K-3331
11	84101	UNION ASSY		1	1/8" TUBING	
11	84102	UNION ASSY		1	5/32" TUBING	
11	84103	UNION ASSY		1	"PUSH-TO-CONNECT" 5/32" TUBING	K-2010,K-2015
12	13571	-O- RING CLAMP		1		
14	84002	CONNECTOR ASSY	82502	1	1/8"TUBE-1/8"NPTF	K-1963,K-1979
14	84004	CONNECTOR ASSY	82504	1	5/32"TUBE-1/8"NPTF	
14	84006	CONNECTOR ASSY		1	"PUSH-TO-CONNECT" 5/32"TUBE-1/8"NPTF	K-2010,K-2015
999	A-6915	ROADRANGER VALVE ASSY	A - 5015	1	STANDARD-W/LOGO	K-2015
999	A-7315	ROADRANGER VALVE ASSY	A - 5315	1	(LEFT OF DRIVER)-W/LOGO	
999	S-2548	ROADRANGER VALVE ASSY	A - 5039	1	RT - W/SHIFT DIAGRAM MEDALLION	
999	S-2549	ROADRANGER VALVE ASSY	A - 5042	1	RTO - W/SHIFT DIAGRAM MEDALLION	

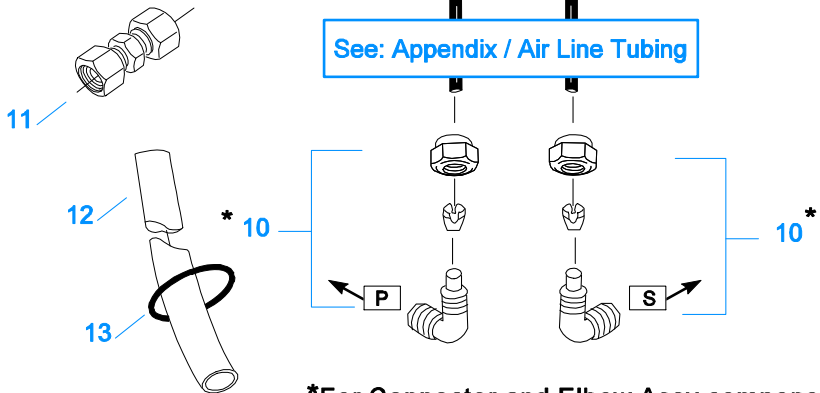


999

2 Valve Repair Kit



See: Appendix / Air Line Tubing



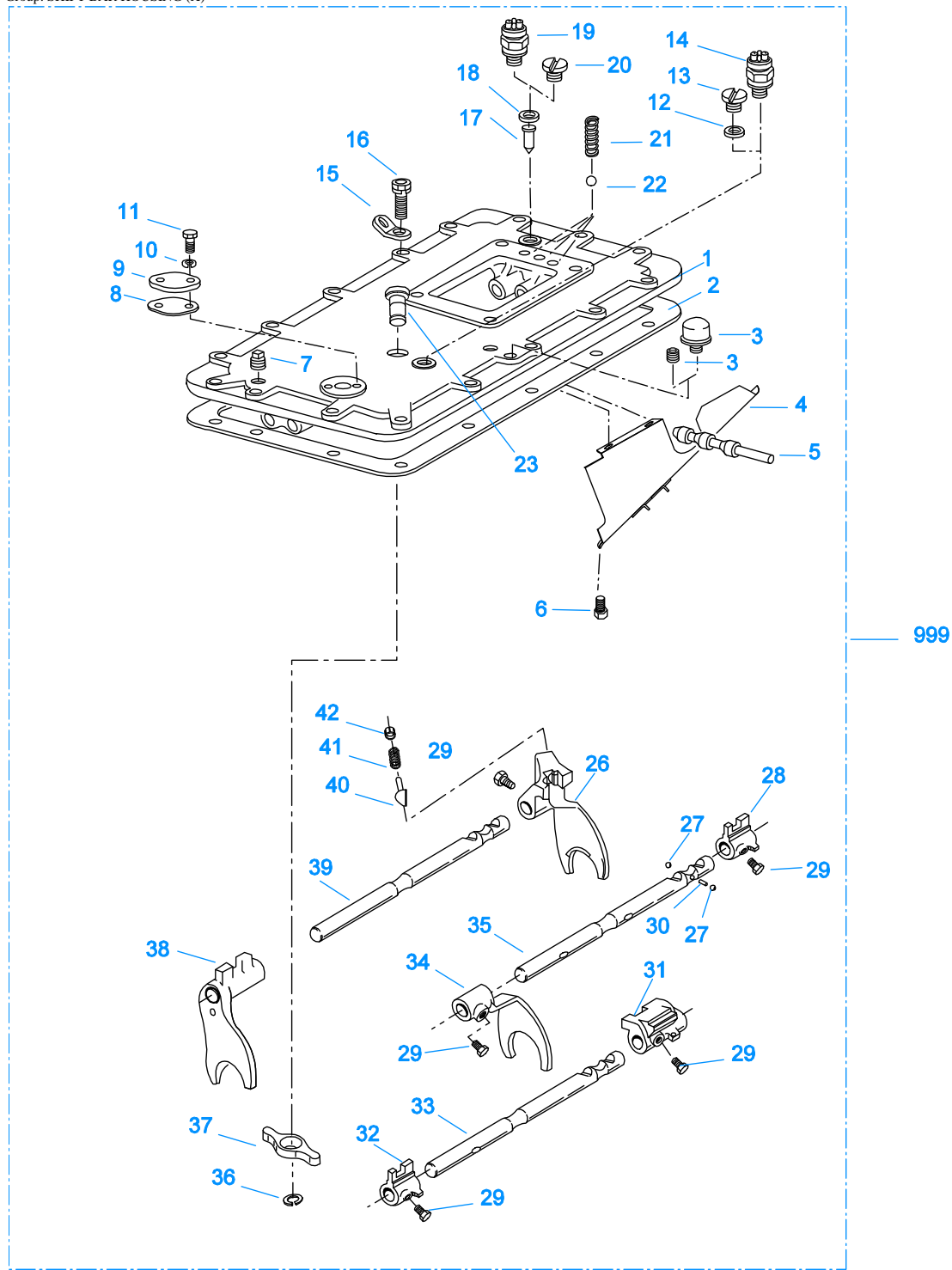
\*For Connector and Elbow Assy component information see Appendix.

10100A-3-97 RRV-2

## ROADRANGER VALVES

Item	Current Part	Description	Replaced Part	Qty.	Notes	Kits/Assys Where Needed
1	20107	MEDALLION, LOGO		1	(OLD DESIGN) FULLER LOGO ONLY	
1	5586100	MEDALLION, LOGO		1	(LATEST DESIGN) FULLER LOGO ONLY	A-6909,A-6915,A-7315
1	5586104	SHIFT DIAGRAM MEDALLION		1	RT	S-2540
1	5586105	SHIFT DIAGRAM MEDALLION		1	RTO	S-2541
2	K-1921	MASTER VALVE REPAIR KIT		1	FOR A-6909 & A-5010 VALVES	
3	20495	LEVER		1		A-6909
4	20112	COVER		1		A-6909,A-6915,A-7315
5	X-8-213	SCREW	X 8 202	2	8-32X3/8"	
6	X-9-802	NUT		1	1/2"-13	
7	84001	CONNECTOR ASSY	82501	2	1/8" TUBE-1/16" NPTF	
7	84003	CONNECTOR ASSY	82503	2	5/32" TUBE-1/16" NPTF	
7	84005	CONNECTOR ASSY		2	"PUSH-TO-CONNECT" 5/32" TUBE-1/16" NPTF	K-2010,K-2015
10	85001	ELBOW ASSY	84501	2	5/32" TUBE-1/8" NPTF	
10	85002	ELBOW ASSY	84502	2	1/8" TUBE-1/8" NPTF	K-1963,K-1979
10	85003	ELBOW ASSY		2	"PUSH-TO-CONNECT" 5/32" TUBE-1/8" NPTF	K-2010,K-2015,K-3331
11	84101	UNION ASSY		1	1/8" TUBING	
11	84102	UNION ASSY		1	5/32" TUBING	
11	84103	UNION ASSY		1	"PUSH-TO-CONNECT" 5/32" TUBING	K-2010,K-2015
12	80120	SHEATHING (50 FT ROLL)		1	5/32" - BLACK 50'	
13	13571	-O- RING CLAMP		1		
999	A-6909	ROADRANGER VALVE ASSY	A - 5010 A - 5310	1	STANDARD-W/LOGO	K-2010
999	S-2540	ROADRANGER VALVE ASSY	A - 5037	1	RT - W/SHIFT DIAGRAM MEDALLION	
999	S-2541	ROADRANGER VALVE ASSY	A - 5040	1	RTO - W/SHIFT DIAGRAM MEDALLION	





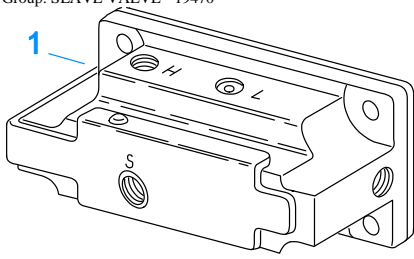
10244-11-96 X-Bar

**SHIFT BAR HOUSING (X)**

Item	Current Part	Description	Replaced Part	Qty.	Notes	Kits/Assys Where Needed
1	S-1445	SHIFT BAR HSG (X)	18920 ,20135 ,20214 ,20215 ,20487 21135	1	HOUSING ONLY (X)	
2	4302676	GASKET	14918	1		K-2199,S-1527,S-1528,S-1529,S-1531
3	4304602	BREATHER	23605	1	1/4" NPT	
3	X-12-404	PIPE PLUG		1	1/4" NPT	
4	20070	OIL TROUGH		1		S-1527,S-1528,S-

Item	Current Part	Description	Replaced Part	Qty.	Notes	Kits/Assys Where Needed
5	20332	AIR VALVE SHAFT	17177	1		1529,S-1531
6	X-8-423	CAPSCREW		2	1/4"-20X1/2"	S-1527,S-1528,S-1529,S-1531
7	X-12-603	PIPE PLUG	X12 602	1	3/8" NPT	
8	20209	GASKET		1		S-1440,S-1441,S-1445,S-1446,S-1527,S-1528,S-1529,S-1531
9	20199	PLATE	18724	1		S-1440,S-1441,S-1445,S-1446,S-1527,S-1528,S-1529,S-1531
10	X-3-400	LOCKWASHER		2	1/4"	
11	X-8-406	CAPSCREW		2	1/4"-20X3/4"	
12	17179	GASKET		1		S-1440,S-1441,S-1445,S-1446,S-1527,S-1528,S-1529,S-1531
13	4303655	PLUG	17178	1		S-1440,S-1441,S-1445,S-1446,S-1527,S-1528,S-1529,S-1531
14	22941	NEUTRAL LIGHT SWITCH	12639	1	SWITCH NORMALLY CLOSED	
15	20815	LIFTING EYE	17105	2		
16	X-8L-602	CAPSCREW		2	3/8"-16X1-1/2" USE W/20815 LIFTING EYES	
16	X-8L-604	CAPSCREW		16	3/8"-16X1-1/4" - OR USE 14 PCS OF X-8L-604 WITH 2 PCS OF X-8L-602	
17	15899	PIN		1		S-1440,S-1441,S-1445,S-1446,S-1527,S-1528,S-1529,S-1531
18	15900	GASKET		1		S-1440,S-1441,S-1445,S-1446,S-1527,S-1528,S-1529,S-1531
19	22940	REVERSE LIGHT SWITCH	16830	1	SWITCH NORMALLY OPEN	
20	4303656	PLUG	15917	1		S-1440,S-1441,S-1445,S-1446,S-1527,S-1528,S-1529,S-1531
21	15918	SPRING		3		K-1802,K-1979,S-1527,S-1528,S-1529,S-1531
22	X-14-800	STEEL BALL		3	1/2"	
23	K-3104	ACTUATOR PIN KIT	4303287	1		
26	16131	SHIFT YOKE		1	REVERSE/LO	S-1219,S-1527,S-1531
27	X-14-1200	STEEL BALL		2	3/4"	
28	14658	SHIFT BLOCK		1	1ST/2ND	S-1527,S-1531
29	3220	LOCKSCREW		5		S-1527,S-1528,S-1529,S-1531
30	1634	INTERLOCK PIN		1		K-1802,S-1527,S-1528,S-1529,S-1531
31	19063	SHIFT BLOCK		1	3RD/OD	S-1527
32	20120	SHIFT BLOCK	18924	1	3RD/OD	S-1527,S-1528
33	18928	YOKE BAR	4302760	1	3RD/OD	S-1527
33	20117	YOKE BAR		1	3RD/OD - W/ROAD SPEED GOVERNOR	
34	18922	SHIFT YOKE		1	1ST/2ND	S-1527,S-1528
35	18927	YOKE BAR		1	1ST/2ND	S-1527
36	4302070	SNAP RING		1		K-3104,S-1527,S-1528
37	4303225	ACTUATOR		1		S-1527,S-1528
38	4305575	SHIFT YOKE	20450	1	3RD/OD	S-1527,S-1528
39	18926	YOKE BAR		1	REVERSE/LO	S-1527
40	10019	PLUNGER		1		S-1219,S-1527,S-1528,S-1529,S-1531
41	6392	SPRING		1		S-1219,S-1527,S-1528,S-1529,S-1531
42	8968	PLUG		1		S-1219,S-1527,S-1528,S-1529,S-1531
999	S-1527	SHIFT BAR HSG ASSY (X)	20215 ,21135	1	COMPLETE	S-1527,S-1528,S-1529,S-1531

Group: SLAVE VALVE - 19470

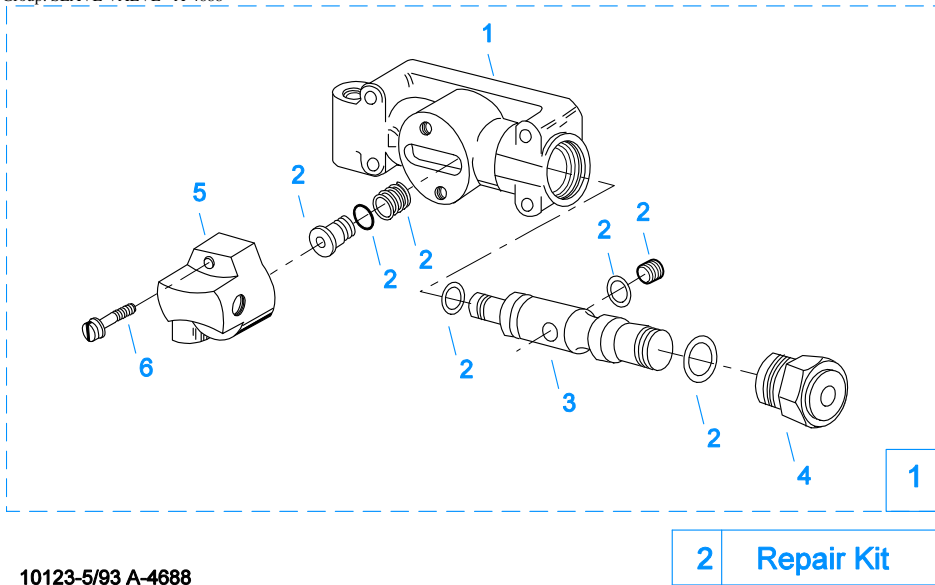


10121-1/92 19470 SV

## SLAVE VALVE - 19470

Item	Current Part	Description	Replaced Part	Qty.	Notes	Kits/Assys Where Needed
1	K-2424	VALVE REPLACEMENT KIT	19470	1		

Group: SLAVE VALVE - A-4688



10123-5/93 A-4688

2 Repair Kit

### SLAVE VALVE - A-4688

Item	Current Part	Description	Replaced Part	Qty.	Notes	Kits/Assys Where Needed
1	A-4688	SLAVE VALVE ASSY	15125 ,19464 ,A - 3991	1		
2	K-1699	REPAIR KIT-SLAVE VALVE		1	FOR A-4688 VALVE	
3	19463	PISTON	15126	1		A-4688
4	20849	CAP	15131	1		A-4688,A-5000
5	K-1613	CAP REPLACEMENT KIT	16429 ,18707	1	FOR A-4688 VALVE	
6	X-8S-401	CAPSCREW		2	1/4"-20X1-1/8"	



10120-10-97 A-5000 SV

2 Repair Kit

### SLAVE VALVE - A-5000

Item	Current Part	Description	Replaced Part	Qty.	Notes	Kits/Assys Where Needed
1	A-5000	SLAVE VALVE ASSY	20850	1		K-1963,K-2424
2	K-1935	REPAIR KIT-SLAVE VALVE		1	FOR A-5000 VALVE	
3	20855	PLUG		1		A-5000
4	20854	PISTON		1		A-5000
5	20849	CAP	15131	1		A-4688,A-5000
7	S-1516	CAP ASSY	20851 ,20853	1		
8	X-8C-413	CAPSCREW		3	1/4"-20X1-1/2"	

