



## Eaton Fuller RTXF-12515 Transmission Parts Manual

This is Eaton Fuller RTXF-12515 Transmission parts manual brought to you by Pro Gear and Transmission to assist you identifying the parts for your Eaton / Fuller transmission unit.

If you need any assistance identifying the correct Eaton / Fuller unit for your truck and equipment, contact your Eaton replacement parts specialists at Pro Gear and Transmission.

Pro Gear stocks every part for your Eaton transmission including: Valve Assemblies, Synchronizers, Yoke Assemblies, O-Ring Kits, Drive Gears, Gaskets, Bearing and Seal Kits, and much more.

Pro Gear and Transmission has same day shipping and thousands of products in stock and ready to ship internationally for your next project.

For parts or service contact the Eaton transmission specialists at Pro Gear & Transmission, Inc.

 CALL US

 EMAIL US

 VISIT MODEL PAGE

 VISIT ONLINE STORE



**Roadranger®**

More time on the road®

# Illustrated Parts List

---

**RTXF-12515**  
**July 2011**

# Contents

How To Use The Illustrated Parts List .....	3
AIR SYSTEM REDUCTION .....	4
AUX. COUNTERSHAFT PUMP .....	5
OIL COOLER/CONNECTIONS.....	5
AUX. COUNTERSHAFT PUMP .....	6
OIL PUMP AND INLET LINE.....	6
AUXILIARY DRIVE GEAR.....	7
CASE (AUX) .....	8
CASE (FRONT).....	10
COUNTERSHAFT & BRGS(AUX).....	12
COUNTERSHAFT ASSY .....	13
FILTER REGULATOR.....	14
H & C W/19470 VALVE.....	15
H & C W/19470 VALVE.....	16
H & C W/A-4688 VALVE.....	17
H & C W/A-4688 VALVE.....	18
H & C W/A-5000 VALVE.....	19
H & C W/A-5000 VALVE.....	20
INPUT SHAFT & DRIVE GEAR .....	21
ISOLATORS .....	22
KITS & ASSEMBLIES .....	23
LEVERS/HOUSINGS .....	25
MAINSHAFT & SYNCHRO(AUX).....	27
MAINSHAFT ASSY.....	29
MISCELLANEOUS .....	30
RANGE CYLINDER.....	31
RANGE VALVE .....	32
REDUCTION CYLINDER.....	34
REVERSE IDLER.....	35
ROAD SPEED GOVERNOR .....	36
ROADRANGER VALVE .....	39
SHIFT BAR HOUSING (XF) .....	40
SLAVE VALVE - 19470.....	42
SLAVE VALVE - A-4688.....	43
SLAVE VALVE - A-5000.....	44

## How To Use The Illustrated Parts List

The information contained in this document is subject to frequent updates. Therefore, for the latest information available, please visit the interactive Electronic Parts Catalog at [www.roadranger.com/epc](http://www.roadranger.com/epc).

### Model Designation or Nomenclature

- For information regarding Model Designation and Nomenclature, visit [www.roadranger.com](http://www.roadranger.com).

### Kits and Assemblies (K/A's)

- Kits and Assemblies contain groups of individual or assembled parts developed for optimal replacement or repair of a service problem.
- Kits and Assemblies are shown with applicable parts groupings in the parts listings.

### Identifying Kits and Assemblies

A- Part numbers beginning with the letter 'A' are pre-assembled Production Assemblies

K- Part numbers beginning with the letter 'K' are kits that are not assembled

S- Part numbers beginning with the letter 'S' are pre-assembled Service Assemblies

- Note: Some Production Assemblies do not begin with a letter prefix (Midrange only).

### Illustrations

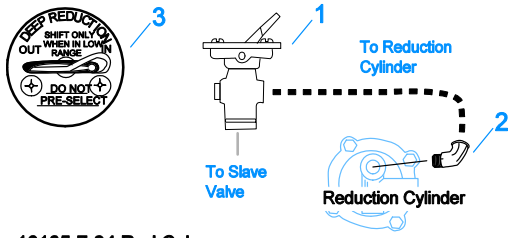
- Illustrations show parts in assembly groups.
- Item numbers on illustrations correspond with parts listings on pages adjacent to the illustration.
- Notes are included on illustrations where additional information is needed.

### Parts Listing

Parts listings are defined by parts groupings and are broken down by service assemblies. Parts listings identify a part for servicing with the following categories

- **Item Number** - corresponding with numbers on illustrations for part identification.
- **Current Part** - identifies part as it is available for service.
- **Description** - specifies part name or description.
- **Replaced Part** - quantity quantity required for assembly.
- **Quantity** - defines unique characteristics or requirements.
- **Notes** - indicates Kits or Assemblies that contain a particular part.
- **Kits/Assy's Where Used**

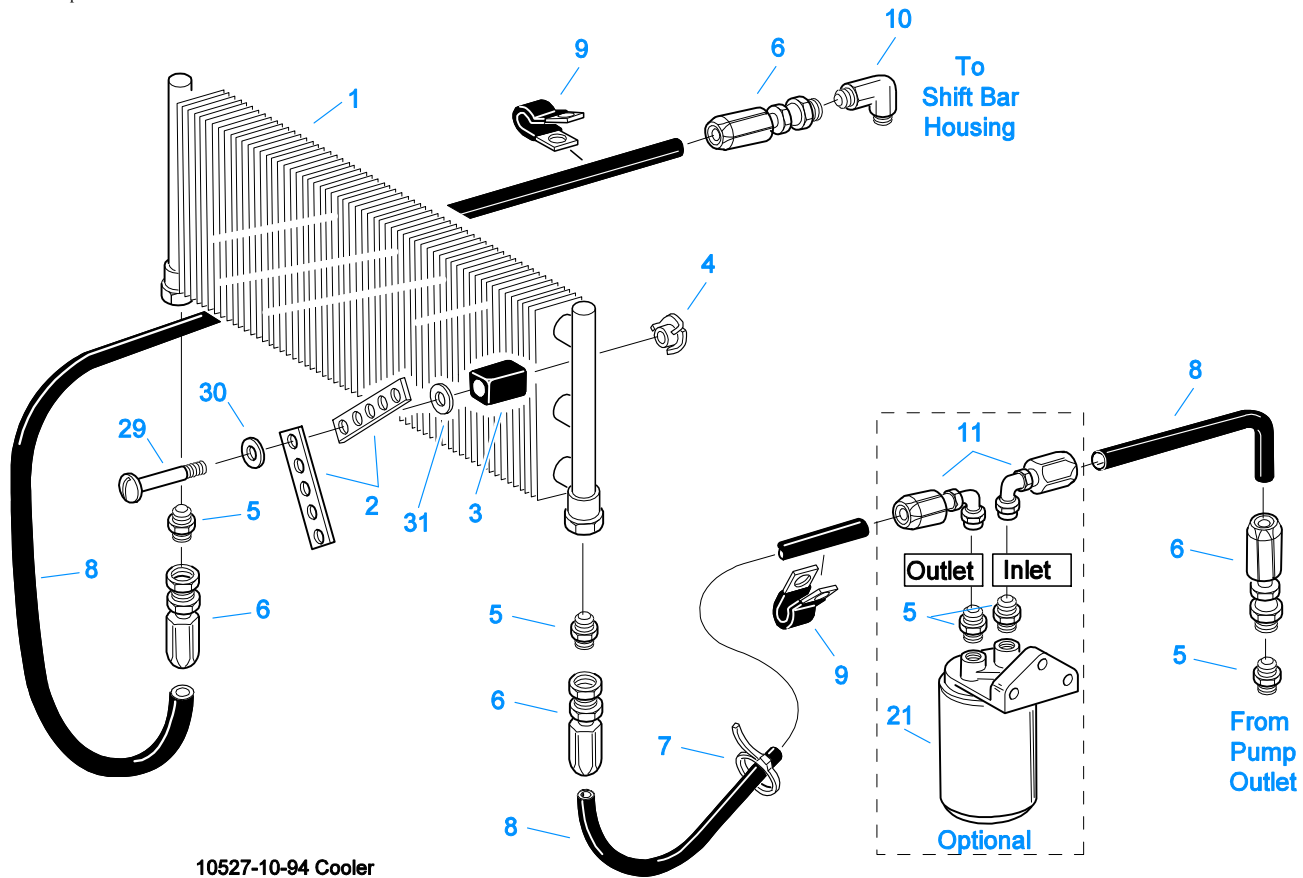
Group: AIR SYSTEM REDUCTION



10105-7-94 Red Cyl

## AIR SYSTEM REDUCTION

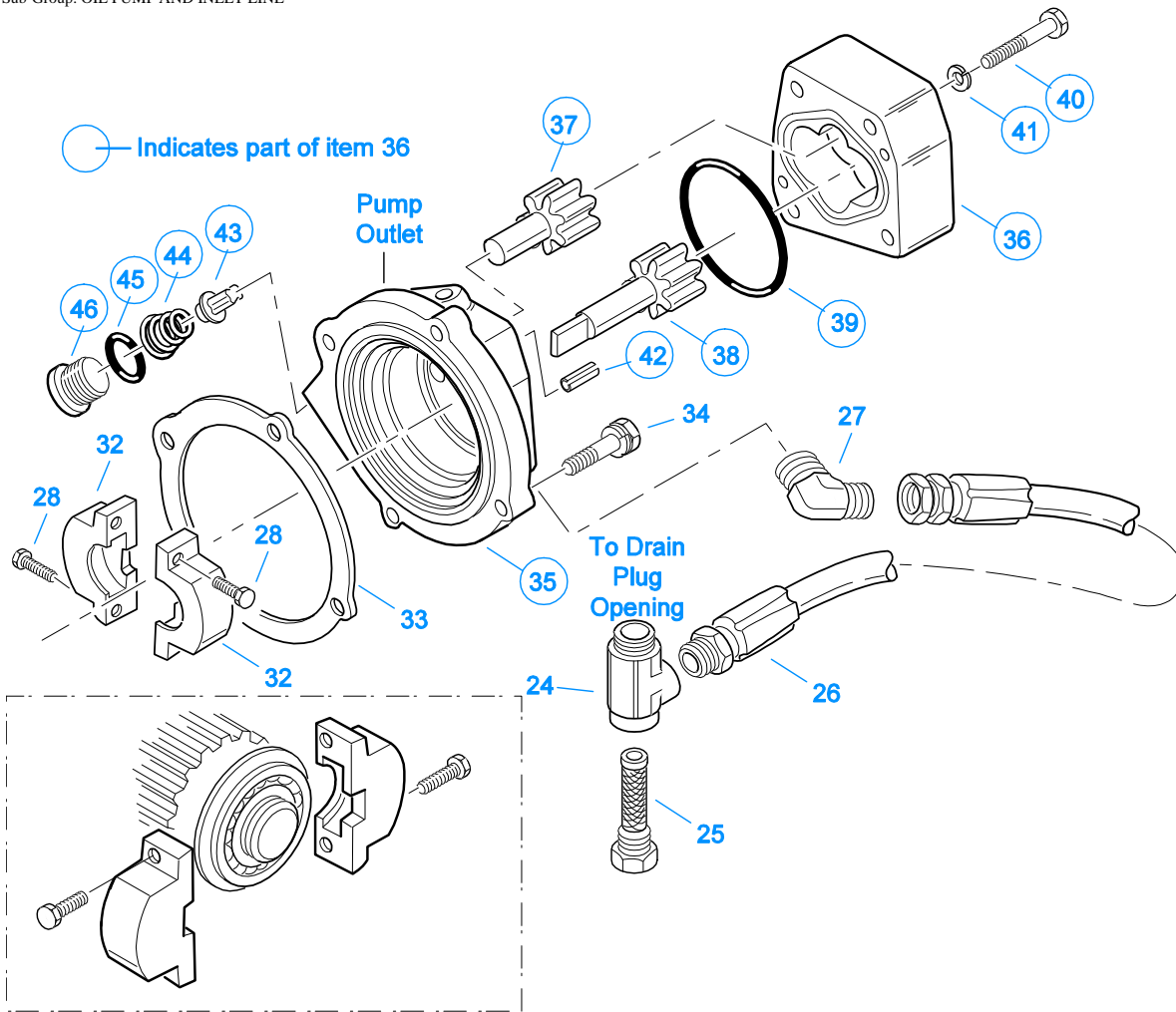
Item	Current Part	Description	Replaced Part	Qty.	Notes	Kits/Assys Where Needed
1	14651	SHIFT VALVE		1		
2	12845	ELBOW		1	1/8"	K-1963
3	15286	VALVE PLATE		1		



## AUX. COUNTERSHAFT PUMP

### OIL COOLER/CONNECTIONS

Item	Current Part	Description	Replaced Part	Qty.	Notes	Kits/Assys Where Needed
1	18025	OIL COOLER		1		
2	18211	BRACKET		4		
3	18209	PLUG-RUBBER MOUNT		2		
4	18210	NUT		2		
5	19419	CONNECTOR		5		
6	19415	SWIVEL		4		
7	17190	STRAP		8		
8	19424	HOSE		1	25 FEET	
9	19423	CLAMP		5		
10	19420	ELBOW		1		
11	19422	ELBOW		2		
21	S-1404	OIL FILTER	17238	1		
29	X-8-535	CAPSCREW		2	5/16"-16X2-1/2"	
30	X-3-506	LOCKWASHER		2	5/16"	
31	X-10-501	WASHER		2	5/16"	

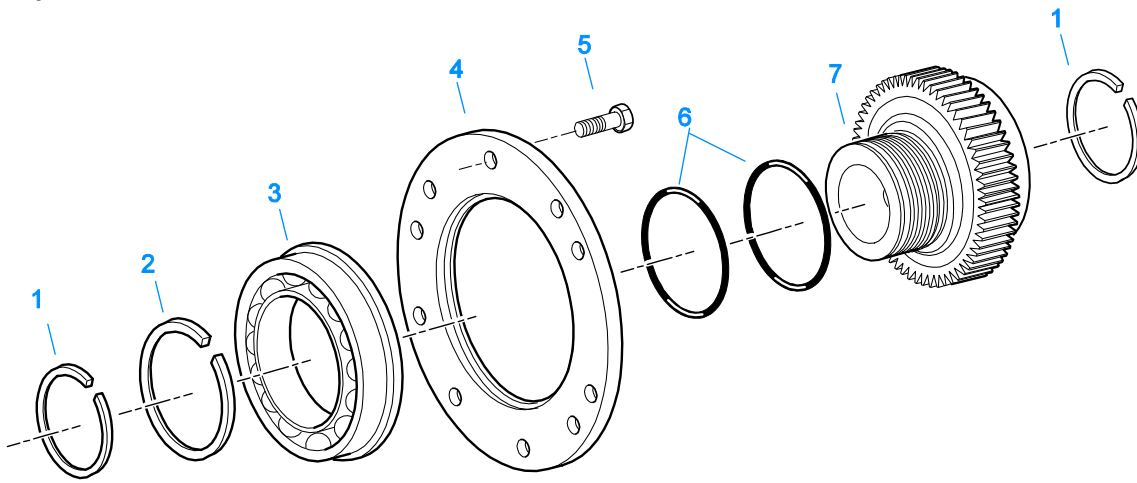


10523-10-94 Oil Pump

## AUX. COUNTERSHAFT PUMP

### OIL PUMP AND INLET LINE

Item	Current Part	Description	Replaced Part	Qty.	Notes	Kits/Assys Where Needed
24	19412	TEE		1		
25	19413	STRAINER		1		
26	19425	HOSE ASSY		1		
27	19418	ELBOW		1		
28	X-7-416	CAPSCREW		2	1/4"-28X13/16" SOCKET HEAD	
32	K-1836	NO LONGER AVAILABLE	20198	1		
33	17386	GASKET		1		
34	X-8-685	CAPSCREW		1	3/8"-16X2-3/4" SOCKET HEAD	
34	X-8L-602	CAPSCREW		3	3/8"-16X1-1/2"	
35	19403	OIL PUMP ADAPTER		1		
36	A-4678	OIL PUMP ASSY	19400	1		
37	A-4676	IDLER GEAR ASSY		1		
38	A-4677	DRIVE GEAR ASSY		1		
39	18109	-O- RING		1		
40	X-8-434	CAPSCREW		4	1/4"-20X2"	
41	X-3-400	LOCKWASHER		4	1/4"	
42	62515	ROLL PIN		2		
43	12757	VALVE		1		
44	12755	SPRING		1		
45	5568536	-O- RING	13884	1		
46	19411	PLUG		1		

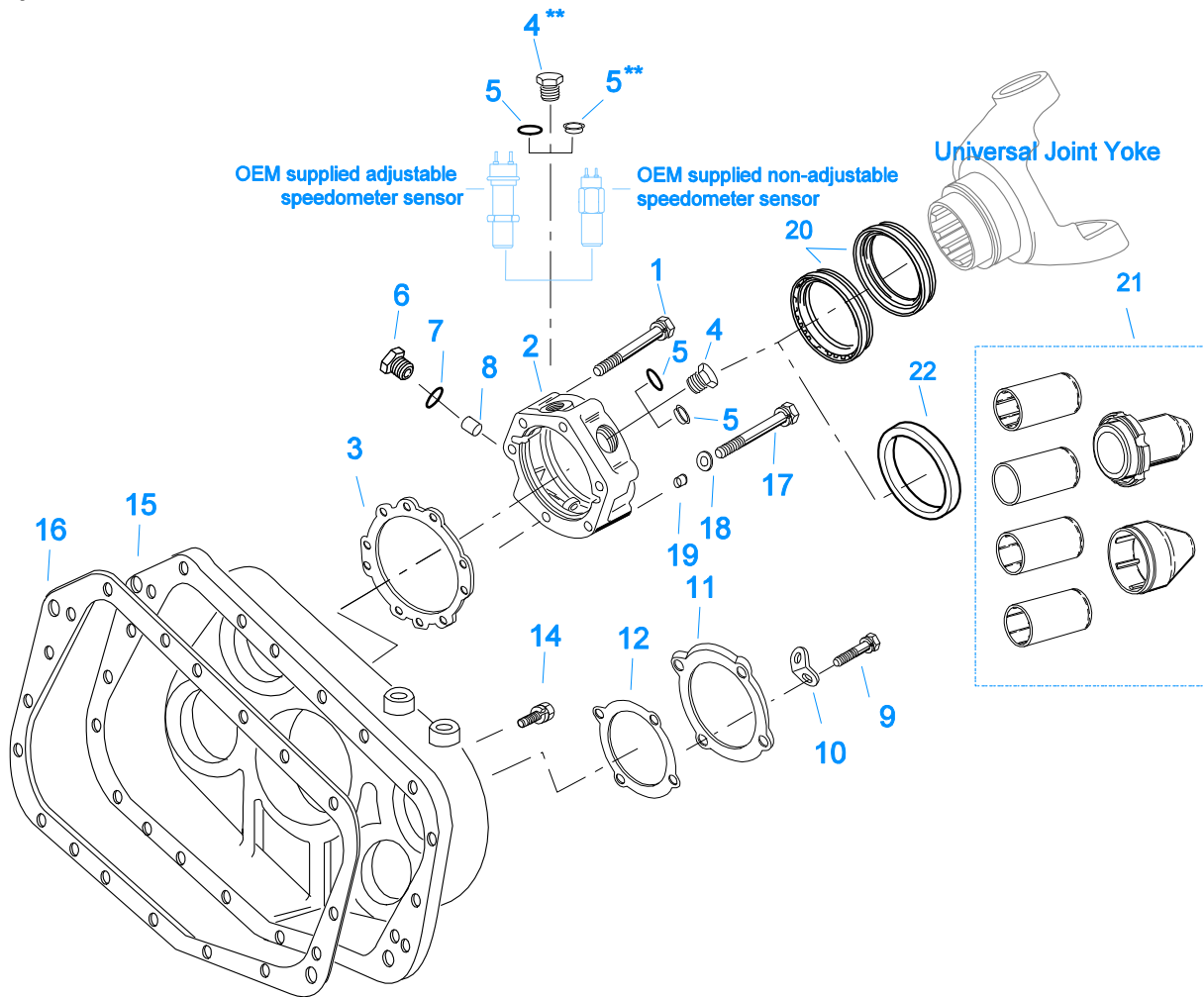


10483-5/93 Aux DG

### AUXILIARY DRIVE GEAR

Item	Current Part	Description	Replaced Part	Qty.	Notes	Kits/Assys Where Needed
1	16763	SNAP RING		2		K-1079,K-1509,K-1863
2	16628	SNAP RING		1		K-1509
3	5566507-	BEARING	5566504,5566507	1		K-1079,K-1863
	BOX					
4	16138	BEARING RETAINER		1		
5	X-8-612	CAPSCREW		6	3/8"-16X1"	
6	17453	-O- RING		2		K-1847
7	K-1847	REPL KIT-DRIVE GEAR	17214 ,20350	1		





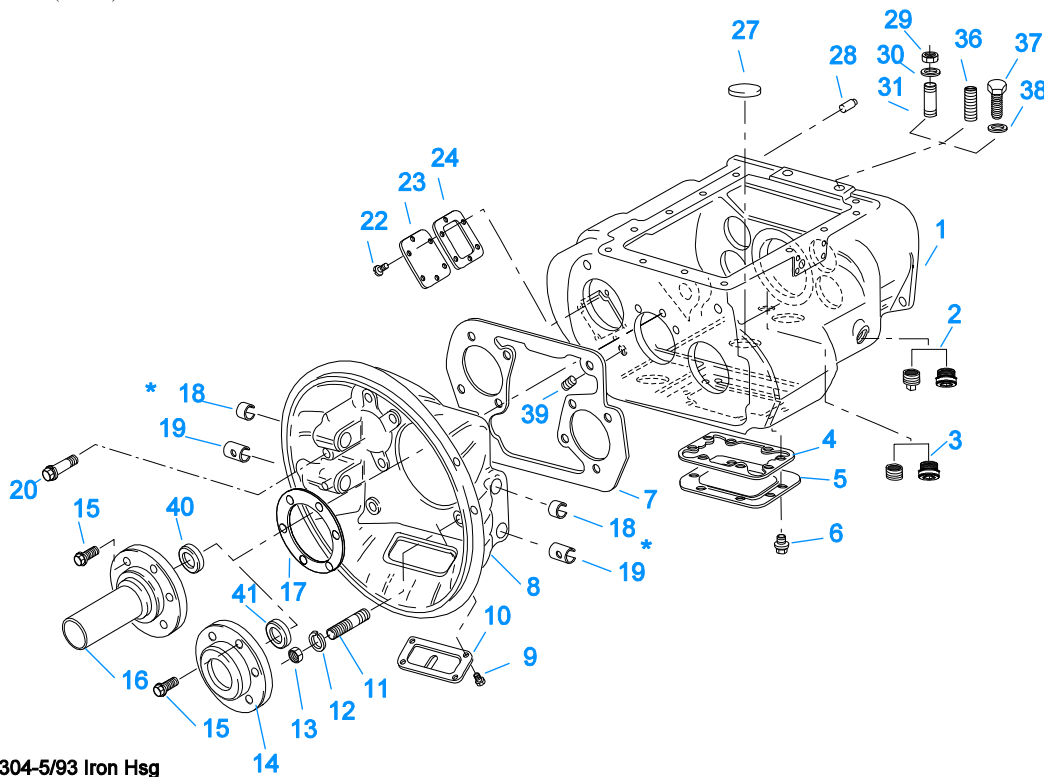
**\*\* Note — Items 4 & 5 / Magnetic Speedometer Openings:**  
 Use 13679 "O" ring w/ OEM supplied adjustable speedometer sensor  
 and 20225 "O" ring w/ OEM supplied non-adjustable speedometer sensor or Eaton part #20224 Plug

**10410-6-94 Aux Case**

**CASE (AUX)**

Item	Current Part	Description	Replaced Part	Qty.	Notes	Kits/Assys Where Needed
1	X-8L-605	CAPSCREW		5	3/8"-16X3"	
2	S-2151	REAR BRG COVER ASSY	S - 1429	1		
3	15532	GASKET		1		K-2199,K-2256,K-2262,S-2151
4	20224	PLUG-MAGNETIC		2		S-2151
5	13679	-O- RING		1	USE W/OEM SUPPLIED ADJUSTABLE SPEEDOMETER SENSOR NOT TO BE USED WITH 4301954 SEAL	
5	20225	-O- RING		2	USE W/20224 PLUG OR OEM SUPPLIED NON-ADJUSTABLE SPEEDOMETER SENSOR NOT TO BE USED WITH 4301954 SEAL	
5	4301954	SENSOR SEAL		2	O-RING NOT REQUIRED	S-2151
6	20226	PLUG-MECHANICAL	2237	1		S-2151
7	14142	-O- RING		1		S-2151
8	7992	BUSHING		1		S-2151
9	X-8L-602	CAPSCREW		8	3/8"-16X1-1/2"	
10	20815	LIFTING EYE	17105	2		
11	17252	REAR BEARING COVER		2		

Item	Current Part	Description	Replaced Part	Qty.	Notes	Kits/Assys Where Needed
12	17386	GASKET		2		K-2199
14	X-8L-602	CAPSCREW		17	3/8"-16X1-1/2"	
14	X-8L-614	CAPSCREW		2	3/8"-16X2"	
15	17250	REAR HOUSING		1		
15	17580	REAR HOUSING		1	USE W/OIL COOLER	
16	14335	GASKET		1		K-2199
17	X-8-682	CAPSCREW		1	3/8"-16X3"	
18	17106	GASKET		1		K-2199,K-2256,K-2262,S-2151
19	19709	COLLAR		1		K-2199,K-2256,K-2262,S-2151
20	K-2262	OIL SEAL W/SLINGER	19109 ,20807 ,20808	1	"FOR MECHANICAL COVER"	
21	K-3651	OIL SEAL TOOL KIT		1		
22	20920	OIL SEAL	15087	1	3-1/2" I.D.	
22	K-2262	OIL SEAL W/SLINGER	19109 ,20807 ,20808	1	"FOR MECHANICAL COVER"	



**10304-5/93 Iron Hsg**

\* Bushing quantity requirements: #1 Housing – Upper bore use 4 #12815 / Lower bore use 2 #8677.

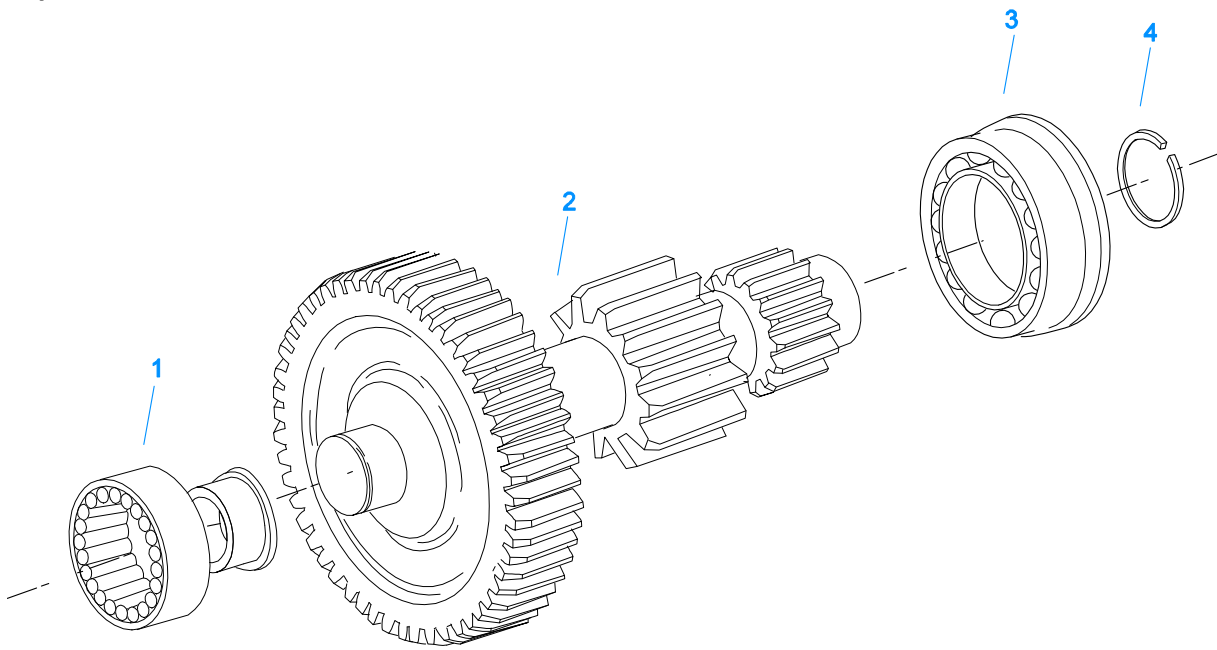
#2 Housing – Upper bore use 2 #12815 and 1 #8677 / Lower bore use 2 #8677.

**Note: Some part requirements are specific to #1 or #2 Clutch Housings and Push or Pull type Clutch.**

**CASE (FRONT)**

Item	Current Part	Description	Replaced Part	Qty.	Notes	Kits/Assys Where Needed
1	S-1325	NO LONGER AVAILABLE	16950	1		
2	4304023	PLUG	4303747	1	1-1/16" MAGNETIC, O-RING INCLUDED	
2	X-12-2007	PIPE PLUG	X12 2006	1		
3	4304023	PLUG	4303747	1	1-1/16" MAGNETIC, O-RING INCLUDED	
3	X-12-1207	PIPE PLUG	X12 1202 ,X12 1206	1	3/4" MAGNETIC	
4	4305310	GASKET	4302810	1		K-2199
5	4302809	PTO COVER	16596 ,4300571	1		
6	X-8-725	CAPSCREW	X 8 724	8	7/16"-14X7/8"	
7	4306584	CLUTCH HOUSING GASKET	4304815,4305668	1		K-2199
8	A-3713	CLUTCH HOUSING ASSY	A - 3700	1	#1 PUSH-PULL IRON	
8	A-3723	CLUTCH HOUSING ASSY	A - 3721 ,A - 3722	1	#2 PUSH-PULL IRON	
9	239614	SCREW	X-8L-509	4	5/16-18X.81 QUANTITY DEPENDENT ON DESIGN	
10	14506	HAND HOLE COVER		1	#2 PUSH	
10	14507	HAND HOLE COVER		1	#2 PULL	
10	4305230	HAND HOLE COVER	11453	1	#1 PULL	
10	4305231	HAND HOLE COVER	1565	1	#1 PUSH	
11	4306583	STUD	5966	6		
12	X-10-1005	WASHER	X 3 1000 ,X10 1000 ,X10 1004	6	1.23 X 6.60	
13	X-1-1012	HEX NUT	X-1-1005	6	.625-18	
14	15111	FRONT BRG. COVER		1	2" PULL	
14	18699	FRONT BRG. COVER		1	1-3/4" & 2" PULL W/SEAL	
14	20550	FRONT BRG COVER		1	2" PULL	K-2468,K-4125
15	X-8L-604	CAPSCREW		6	3/8"-16X1-1/4" USE 6 PCS WITH PULL TYPE COVER USE 4 PCS WITH PUSH TYPE COVER	
15	X-8L-619	CAPSCREW		2	3/8"-16X1-1/4" - USE WITH PUSH TYPE COVER	

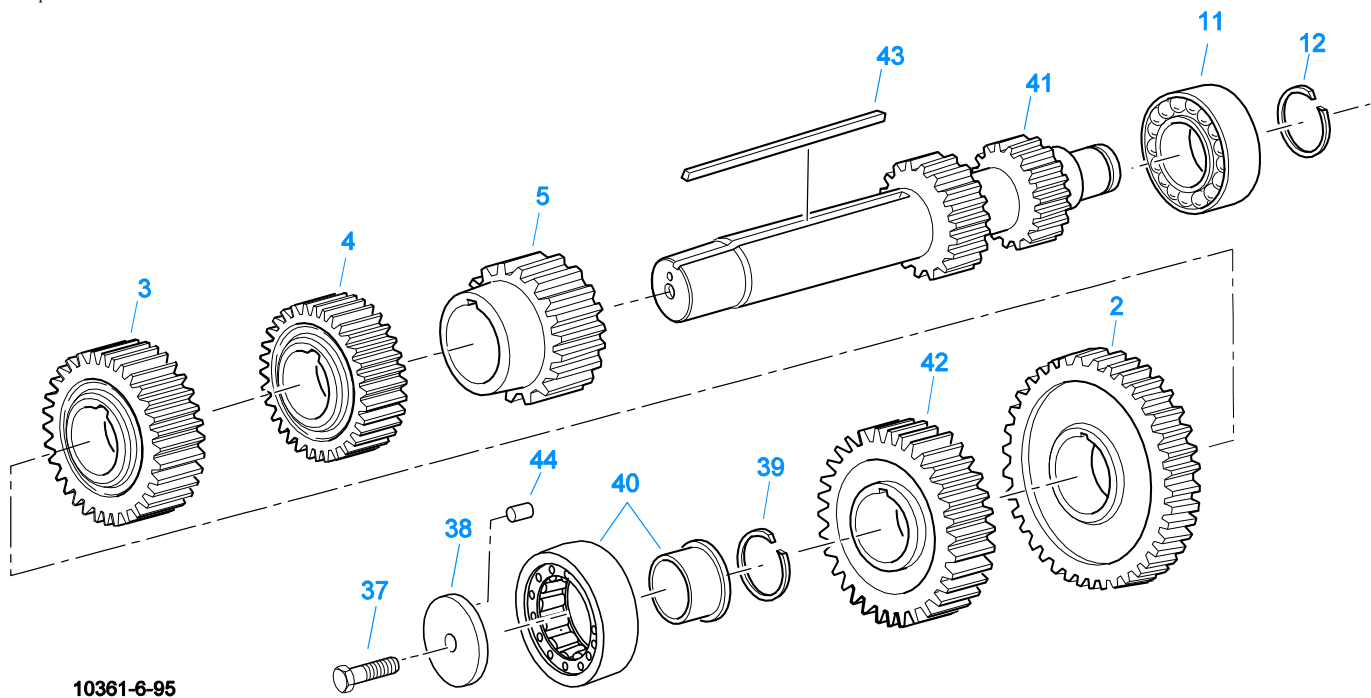
Item	Current Part	Description	Replaced Part	Qty.	Notes	Kits/Assys Where Needed
16	14994	FRONT BRG. COVER		1	2" PUSH	
16	15113	FRONT BRG. COVER		1	1-3/4" & 2" PUSH W/SEAL	
16	20549	FRONT BRG COVER		1	2" PUSH	
17	14311	GASKET		1		K-2199
18	12815	BUSHING		4	FOR #1 HOUSING UPPER	A-3713,A-3723,K-2468
18	12815	BUSHING		2	FOR #2 HOUSING UPPER	A-3713,A-3723,K-2468
18	8677	BUSHING		1	FOR #2 HOUSING UPPER	A-3713,A-3723
19	8677	BUSHING		2	FOR #1 AND #2 HOUSING LOWER	A-3713,A-3723
20	X-8C-830	HEX HEAD SCREW/WASHER ASSY	X-8C-826	2	.500-13 X 1.490	
20	X-8C-831	HEX HEAD SCREW/WASHER ASSY	X-8C-822	2	.500-13 X 3.460, USE ON HORIZONTAL CENTER LINE	
22	X-8-686	CAPSCREW		6	3/8"-16X3/4"	
23	14575	PTO COVER	4302254	1		
24	4305309	GASKET	1684	1		K-2199
27	14373	MAGNET		3		
28	18128	PIN		2		
29	X-1-1012	HEX NUT		2	.625-18	
30	X-10-1005	WASHER	X 3 1000 ,X10 1000 ,X10 1004	2	1.23 X 6.60	
31	14554	STUD	1632 ,6579	2	5/8" X 2-3/16"	
36	23104	PLUG	1712	2		
37	X-8-1005	CAPSCREW		2	5/8"-11X1-1/4"	
38	20814	SPACER		2		
39	X-12-802	PIPE PLUG	X12 800	1	1/2"	
40	12581	OIL SEAL		1	USE W/15113 COVER ONLY	
41	16977	SEAL		1	2"	



**10446-7-94 Aux CS**

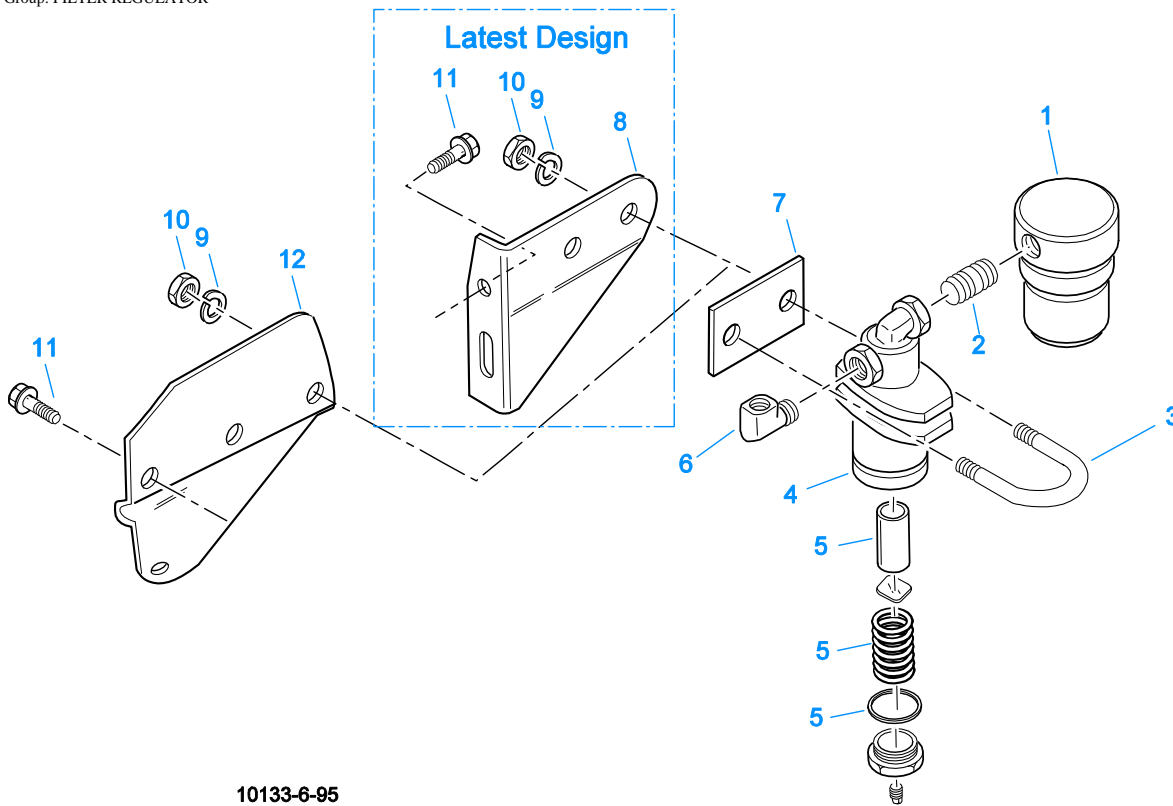
**COUNTERSHAFT & BRGS(AUX)**

Item	Current Part	Description	Replaced Part	Qty.	Notes	Kits/Assys Where Needed
1	8879	BEARING		2		K-1079,K-1863
2	A-4335	WELDED COUNTERSHAFT ASSY		2	D/G 17215 - C/S 17544	
3	81557	BEARING		2		K-1079,K-1863
4	16723	SNAP RING		2		K-1079,K-1509,K-1863



### COUNTERSHAFT ASSY

Item	Current Part	Description	Replaced Part	Qty.	Notes	Kits/Assys Where Needed
2	15953	PTO GEAR - LOWER		1		
2	16390	NO LONGER AVAILABLE		2	OPTIONAL IF PTO GEARS ARE NOT USED	
2	20840	PTO GEAR - UPPER	15952	1		
3	19568	NO LONGER AVAILABLE		2		
4	16944	3RD GEAR-CNTRSHFT		2		
5	16946	NO LONGER AVAILABLE		2		
11	14366	BEARING		2		K-1079,K-1863
12	14317	SNAP RING		2		K-1079,K-1509,K-1863
37	X-7-1005	CAPSCREW		2	5/8"-18X1-3/4"	
38	4304605	RETAINER	19548	2	ROLL PIN NO LONGER REQUIRED	K-1714,K-1716
39	19198	SNAP RING		2		K-1714,K-1716
40	4304599	BEARING	4302677 4304598	2		K-1079,K-1714,K-1716,K-1863
41	K-2967	NO LONGER AVAILABLE	A - 4706	2	C/S 19550 - 1ST 16948	
42	19574	NO LONGER AVAILABLE		2		
43	19258	KEY		2		K-1714,K-1716
44	62511	ROLL PIN		2		

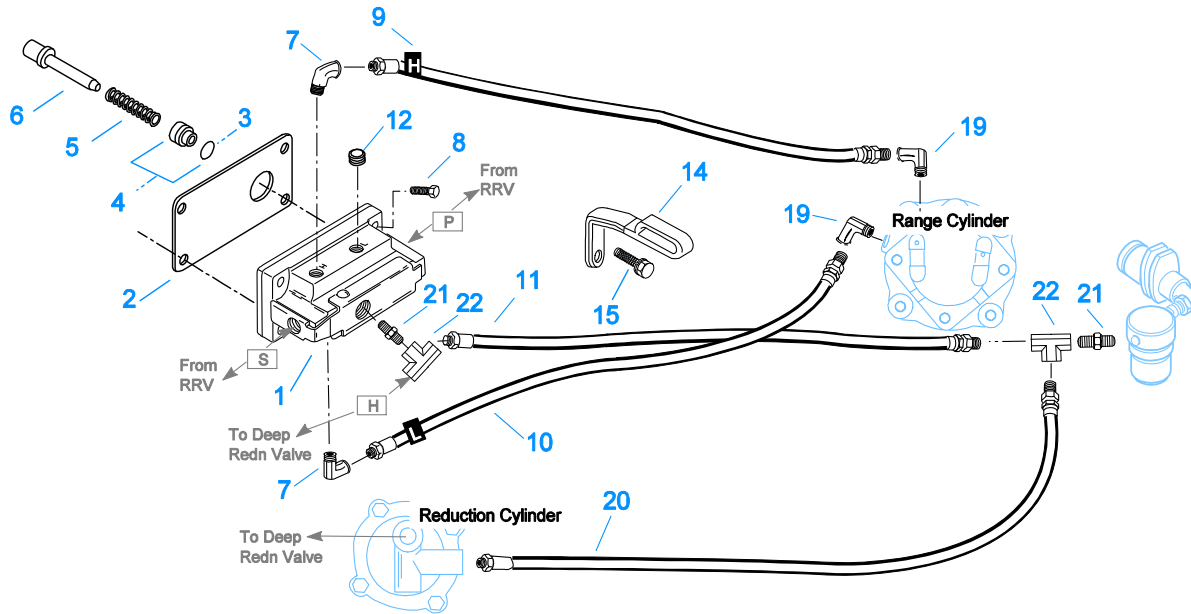


10133-6-95

## FILTER REGULATOR

Item	Current Part	Description	Replaced Part	Qty.	Notes	Kits/Assys Where Needed
1	16743	REGULATOR VALVE		1		
2	16741	NIPPLE		1	1/4"	
3	16742	U-BOLT		1	1/4"-20	
4	A-4041	NO LONGER AVAILABLE		1		
5	K-1486	REPAIR KIT-FILTER		1		
6	16865	STREET ELL		1		
7	18860	NO LONGER AVAILABLE		1		
8	17107	NO LONGER AVAILABLE		1		
9	X-3-400	LOCKWASHER		2	1/4"	
10	X-1-401	NUT		2	1/4"	
11	X-8L-601	CAPSCREW		2	3/8"-16X3/4"	
12	16744	BRACKET		1		

Group: H & C W/19470 VALVE



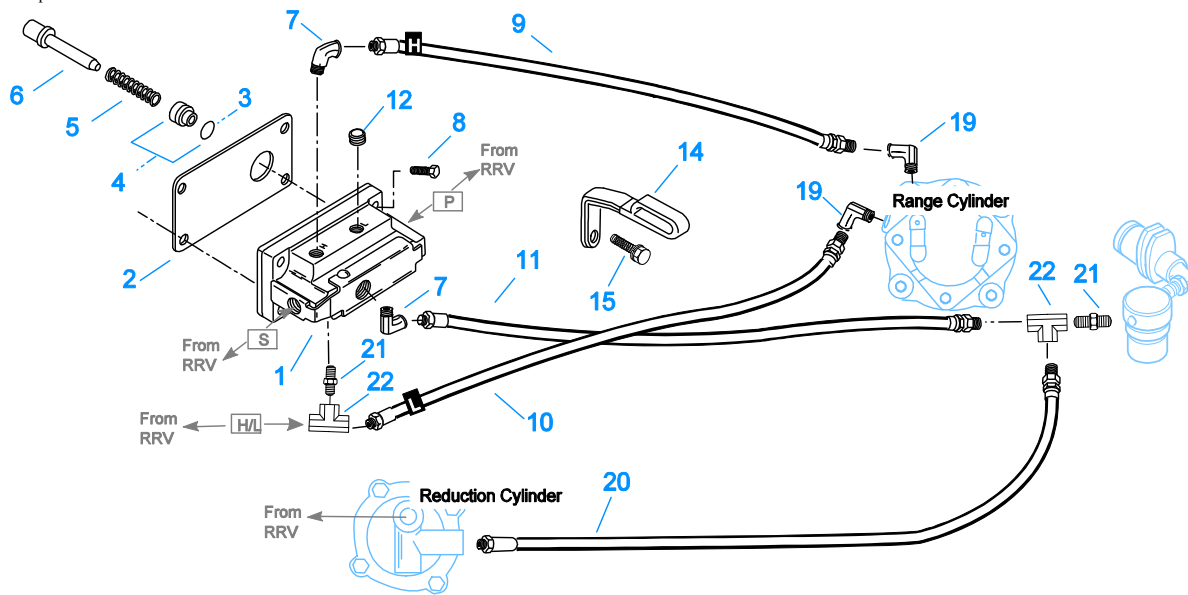
10111Q-6-95

### H & C W/19470 VALVE

Item	Current Part	Description	Replaced Part	Qty.	Notes	Kits/Assys Where Needed
1	K-2424	VALVE REPLACEMENT KIT	19470	1		
2	19481	GASKET		1		K-1963,K-2199,K-2424
3	19462	-O- RING	14033	1		A-4688,K-1699,K-1969
4	K-1969	SLEEVE KIT	14362 19460 ,21446	1	FOR SLAVE VALVES	K-1963
5	21268	SPRING	19572	1		K-1963
6	20490	PIN	19459	1		K-1963
7	12845	ELBOW		2	1/8"	K-1963
8	X-8C-401	CAPSCREW		4	1/4"-20X1-1/8"	
9	55518	HOSE ASSY		1	32"	
10	55508	HOSE ASSY		1	30"	
11	55533	NO LONGER AVAILABLE		1	17-1/2"	
12	X-12-208	PIPE PLUG		1	1/8" NPT	
14	18769	HOSE CLAMP	12152	1		
15	X-8L-601	CAPSCREW		1	3/8"-16X3/4"	
19	12880	ELBOW		2	1/8"	
20	55525	HOSE ASSY		1	17"	
21	12769	NIPPLE		2	1/8"	K-1963
22	12881	TEE		2	1/8"	K-1963



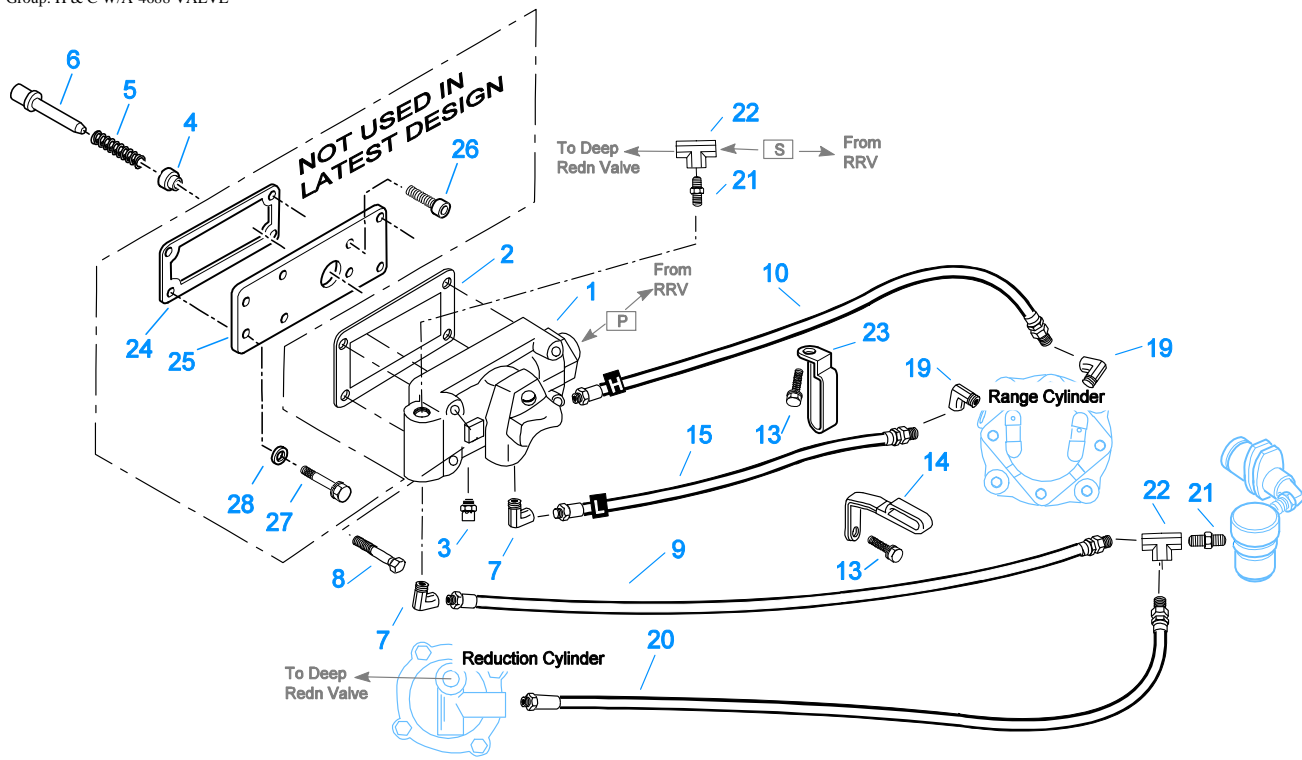
Group: H & C W/19470 VALVE



10111R-6-95

## H & C W/19470 VALVE

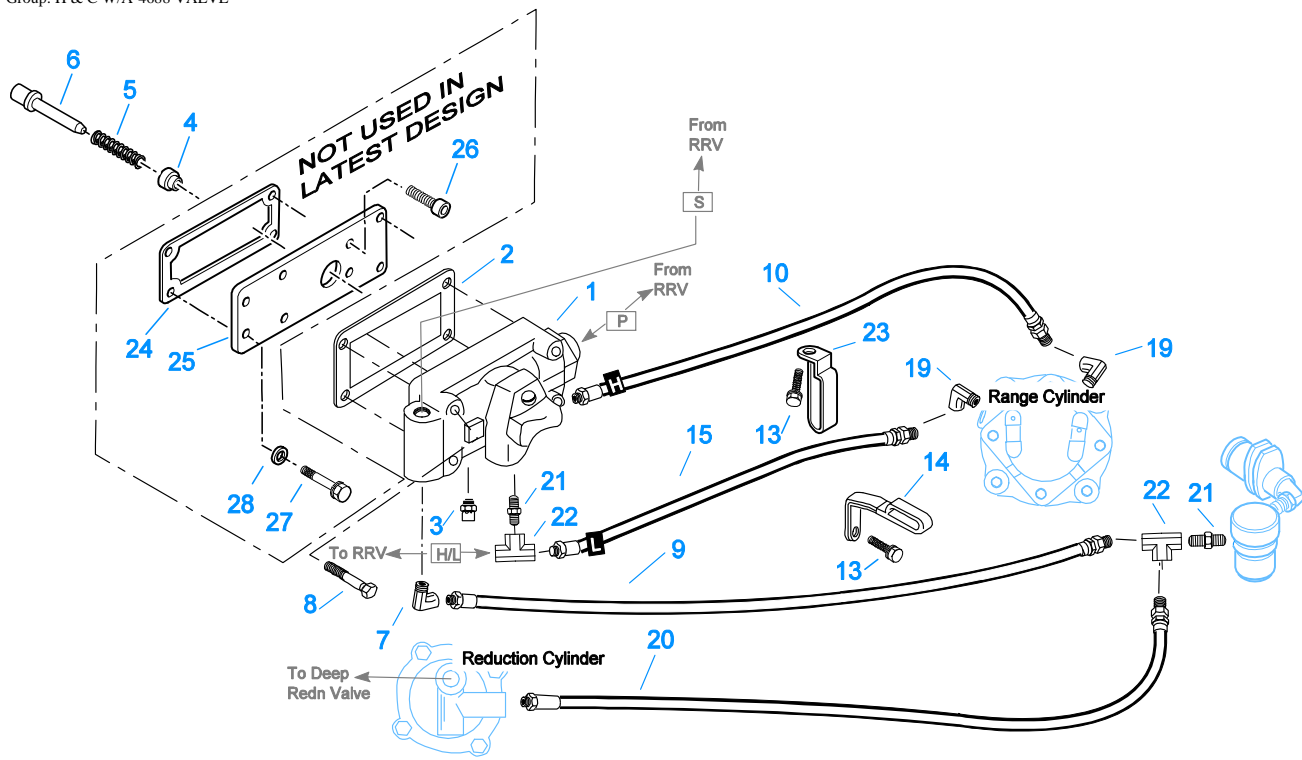
Item	Current Part	Description	Replaced Part	Qty.	Notes	Kits/Assys Where Needed
1	K-2424	VALVE REPLACEMENT KIT	19470	1		
2	19481	GASKET		1		K-1963,K-2199,K-2424
3	19462	-O- RING	14033	1		A-4688,K-1699,K-1969
4	K-1969	SLEEVE KIT	14362 19460 ,21446	1	FOR SLAVE VALVES	K-1963
5	21268	SPRING	19572	1		K-1963
6	20490	PIN	19459	1		K-1963
7	12845	ELBOW		2	1/8"	K-1963
8	X-8C-401	CAPSCREW		4	1/4"-20X1-1/8"	
9	55518	HOSE ASSY		1	32"	
10	55508	HOSE ASSY		1	30"	
11	55533	NO LONGER AVAILABLE		1	17-1/2"	
12	X-12-208	PIPE PLUG		1	1/8" NPT	
14	18769	HOSE CLAMP	12152	1		
15	X-8L-601	CAPSCREW		1	3/8"-16X3/4"	
19	12880	ELBOW		2	1/8"	
20	55525	HOSE ASSY		1	17"	
21	12769	NIPPLE		2	1/8"	K-1963
22	12881	TEE		2	1/8"	K-1963



10112Q-6-95

### H & C W/A-4688 VALVE

Item	Current Part	Description	Replaced Part	Qty.	Notes	Kits/Assys Where Needed
1	A-4688	SLAVE VALVE ASSY	15125 ,19464 ,A - 3991	1		
2	15758	GASKET		1		K-1699,K-2199
3	X2014210	BREATHER	7935	1		K-1963
4	K-1969	SLEEVE KIT	14362 19460 ,21446	1	FOR SLAVE VALVES	K-1509,S-1219,S-1527,S-1528,S-1529,S-1531
5	6392	SPRING		1		K-1509
6	14361	PIN		1		K-1963
7	12845	ELBOW		2	1/8"	
8	X-8L-411	CAPSCREW	X 8 411	4	1/4"-20X1-3/4"	
9	55507	HOSE ASSY		1	20"	
10	55518	HOSE ASSY		1	32"	
13	X-8L-601	CAPSCREW		2	3/8"-16X3/4"	
14	18769	HOSE CLAMP	12152	1		
15	55508	HOSE ASSY		1	30"	
19	12880	ELBOW		2	1/8"	
20	55525	HOSE ASSY		1	17"	
21	12769	NIPPLE		2	1/8"	K-1963
22	12881	TEE		2	1/8"	K-1963
23	16217	NO LONGER AVAILABLE		1		
24	14364	GASKET		1		K-2199
25	14786	NO LONGER AVAILABLE		1		
26	X-8-425	CAPSCREW		2	1/4"-20X5/8"	
27	X-8-410	CAPSCREW		2	1/4"-20X7/8"	
28	X-3-400	LOCKWASHER		2	1/4"	

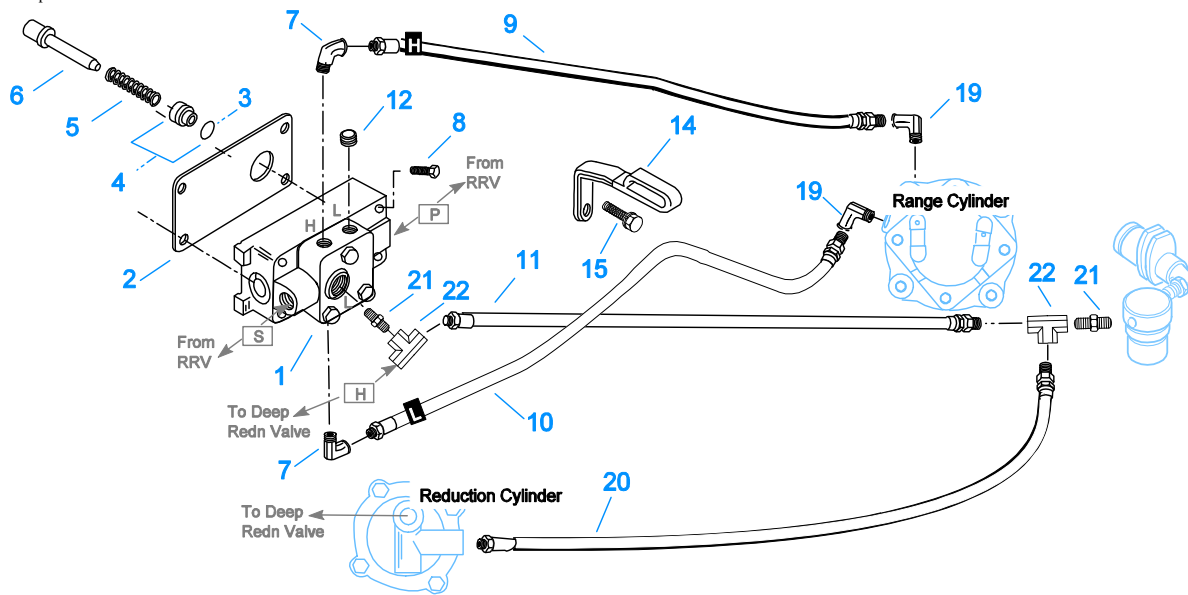


10112R-6-95

### H & C W/A-4688 VALVE

Item	Current Part	Description	Replaced Part	Qty.	Notes	Kits/Assys Where Needed
1	A-4688	SLAVE VALVE ASSY	15125 ,19464 ,A - 3991	1		
2	15758	GASKET		1		K-1699,K-2199
3	X2014210	BREATHER	7935	1		
4	K-1969	SLEEVE KIT	14362 19460 ,21446	1	FOR SLAVE VALVES	K-1963
5	6392	SPRING		1		K-1509,S-1219,S-1527,S-1528,S-1529,S-1531
6	14361	PIN		1		K-1509
7	12845	ELBOW		1	1/8"	K-1963
8	X-8L-411	CAPSCREW	X 8 411	4	1/4"-20X1-3/4"	
9	55507	HOSE ASSY		1	20"	
10	55518	HOSE ASSY		1	32"	
13	X-8L-601	CAPSCREW		2	3/8"-16X3/4"	
14	18769	HOSE CLAMP	12152	1		
15	55508	HOSE ASSY		1	30"	
19	12880	ELBOW		2	1/8"	
20	55525	HOSE ASSY		1	17"	
21	12769	NIPPLE		2	1/8"	K-1963
22	12881	TEE		2	1/8"	K-1963
23	16217	NO LONGER AVAILABLE		1		
24	14364	GASKET		1		K-2199
25	14786	NO LONGER AVAILABLE		1		
26	X-8-425	CAPSCREW		2	1/4"-20X5/8"	
27	X-8-410	CAPSCREW		2	1/4"-20X7/8"	
28	X-3-400	LOCKWASHER		2	1/4"	

Group: H & C W/A-5000 VALVE

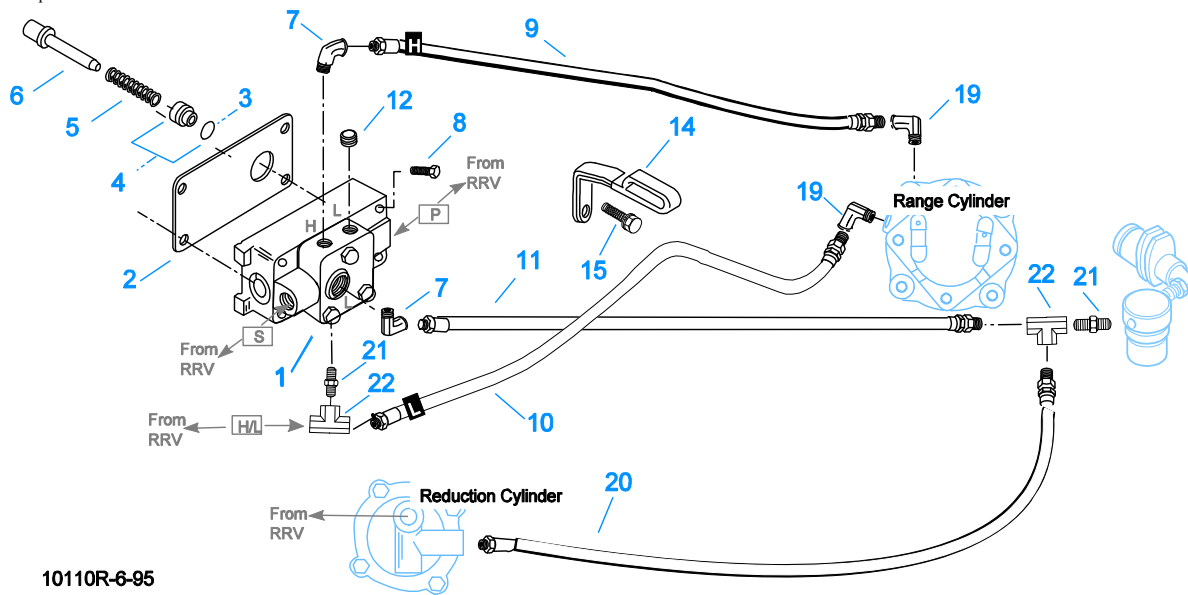


10110Q-6-95

### H & C W/A-5000 VALVE

Item	Current Part	Description	Replaced Part	Qty.	Notes	Kits/Assys Where Needed
1	A-5000	SLAVE VALVE ASSY	20850	1		K-1963,K-2424
2	19481	GASKET		1		K-1963,K-2199,K-2424
3	19462	-O- RING	14033	1		A-4688,K-1699,K-1969
4	K-1969	SLEEVE KIT	14362 19460 ,21446	1	FOR SLAVE VALVES	K-1963
5	21268	SPRING	19572	1		K-1963
6	20490	PIN	19459	1		K-1963
7	12845	ELBOW		2	1/8"	K-1963
8	X-8C-411	CAPSCREW		4	1/4"-20X1-3/4"	
9	55518	HOSE ASSY		1	32"	
10	55508	HOSE ASSY		1	30"	
11	55533	NO LONGER AVAILABLE		1	17-1/2"	
12	X-12-208	PIPE PLUG		1	1/8" NPT	
14	18769	HOSE CLAMP	12152	1		
15	X-8L-601	CAPSCREW		1	3/8"-16X3/4"	
19	12880	ELBOW		2	1/8"	
20	55525	HOSE ASSY		1	17"	
21	12769	NIPPLE		2	1/8"	K-1963
22	12881	TEE		2	1/8"	K-1963

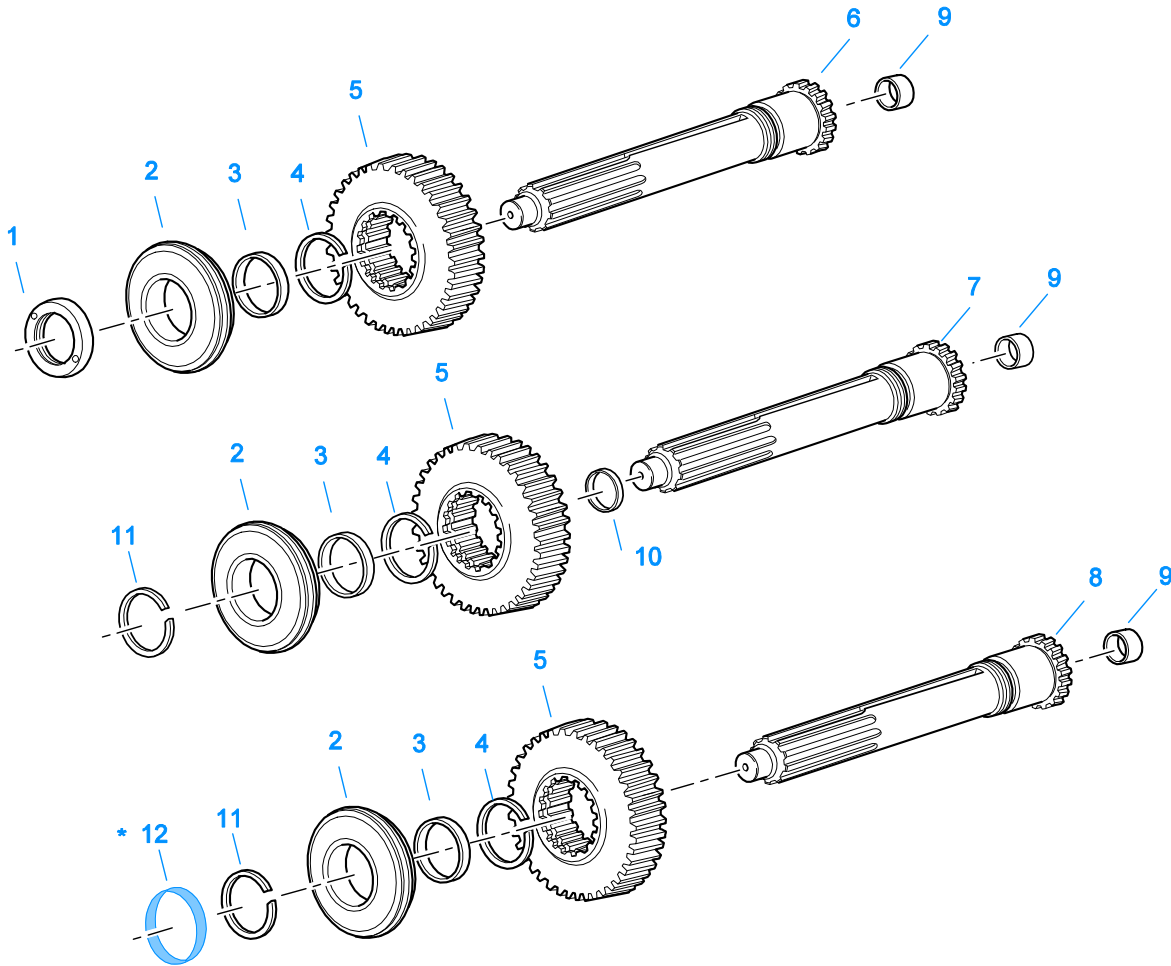
Group: H & C W/A-5000 VALVE



10110R-6-95

## H & C W/A-5000 VALVE

Item	Current Part	Description	Replaced Part	Qty.	Notes	Kits/Assys Where Needed
1	A-5000	SLAVE VALVE ASSY	20850	1		K-1963,K-2424
2	19481	GASKET		1		K-1963,K-2199,K-2424
3	19462	-O- RING	14033	1		A-4688,K-1699,K-1969
4	K-1969	SLEEVE KIT	14362 19460 ,21446	1	FOR SLAVE VALVES	K-1963
5	21268	SPRING	19572	1		K-1963
6	20490	PIN	19459	1		K-1963
7	12845	ELBOW		2	1/8"	K-1963
8	X-8C-411	CAPSCREW		4	1/4"-20X1-3/4"	
9	55518	HOSE ASSY		1	32"	
10	55508	HOSE ASSY		1	30"	
11	55533	NO LONGER AVAILABLE		1	17-1/2"	
12	X-12-208	PIPE PLUG		1	1/8" NPT	
14	18769	HOSE CLAMP	12152	1		
15	X-8L-601	CAPSCREW		1	3/8"-16X3/4"	
19	12880	ELBOW		2	1/8"	
20	55525	HOSE ASSY		1	17"	
21	12769	NIPPLE		2	1/8"	K-1963
22	12881	TEE		2	1/8"	K-1963

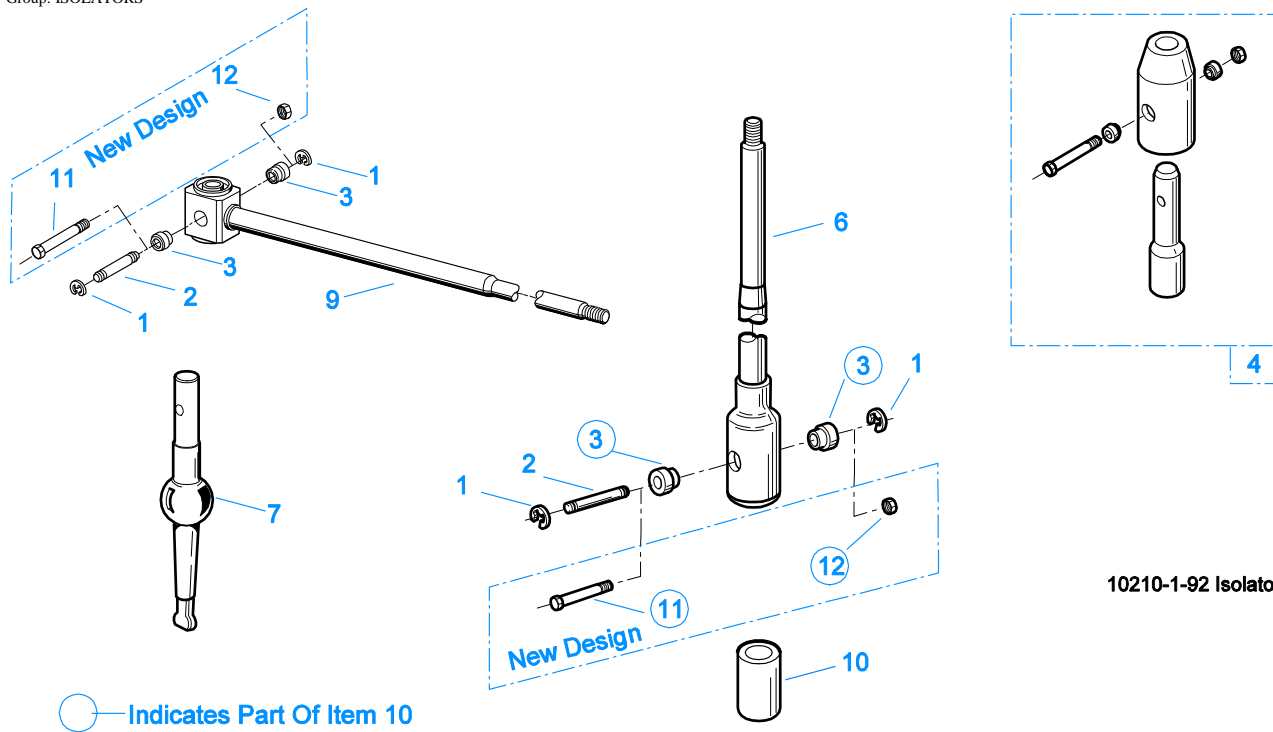


10372-5/93 IS (3)

\* For Shipping Only -- Do Not Replace

## INPUT SHAFT & DRIVE GEAR

Item	Current Part	Description	Replaced Part	Qty.	Notes	Kits/Assys Where Needed
1	8858	NUT		1	PUSH	
1	8997	NUT		1	PULL	K-1079
2	4301417	BEARING	81504	1		K-1079,K-1863
3	16463	SPACER		1		
4	14750	SNAP RING		1		K-1079,K-1509,K-1863,K-2468,K-4125
5	19573	NO LONGER AVAILABLE		1		
6	S-1128	INPUT SHAFT	16465	1	2" PULL - USE W/FBC 15111	K-1079
6	S-1129	INPUT SHAFT	16466	1	2" PUSH - USE W/FBC 14994	
7	S-1409	INPUT SHAFT	18837	1	2" PULL W/SEAL - USE W/FBC 18699	
8	S-1659	INPUT SHAFT	20535 23566 ,4302661	1	2" PULL - USE W/FBC 20550	K-2468,K-4125
8	S-1660	INPUT SHAFT	20536 ,23567	1	2" PUSH - USE W/FBC 20549	
9	16566	BUSHING		1		K-1863,S-1128,S-1129,S-1409,S-1659,S-1660
10	16978	SLEEVE		1	2" W/SEAL	S-1409
11	16980	SNAP RING		1		K-2468,K-4125
12	23559	SHIPPING SEAL		1	NOT SOLD FOR SERVICE	



10210-1-92 Isolator

## ISOLATORS

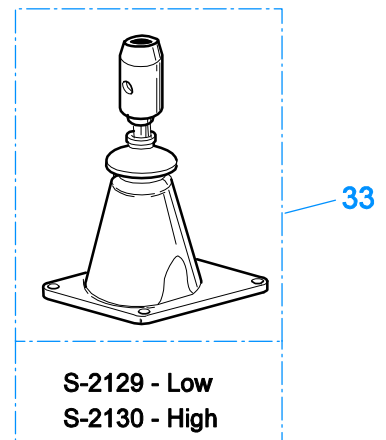
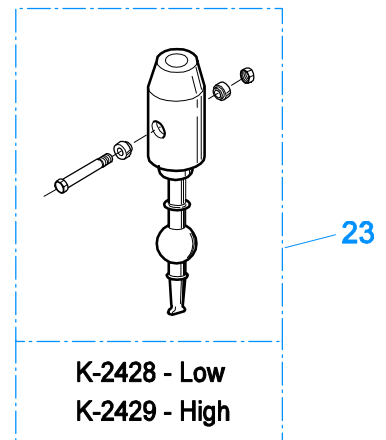
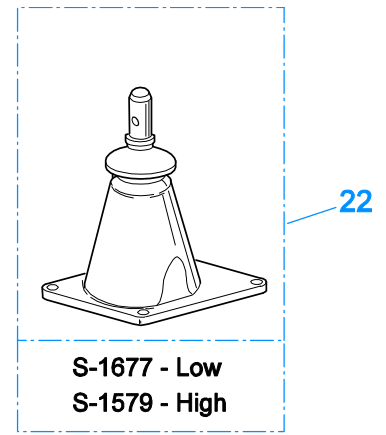
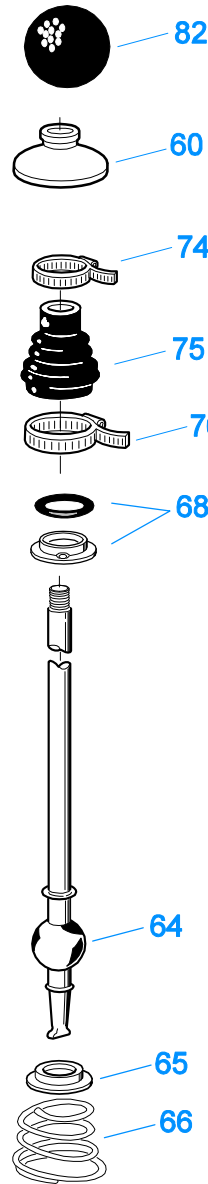
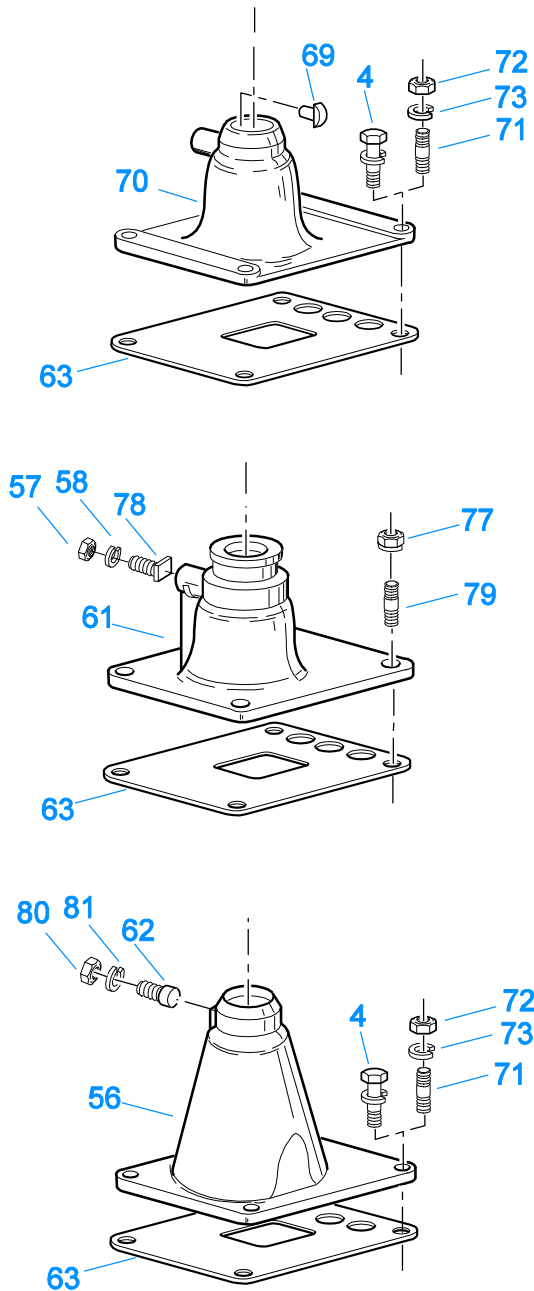
Item	Current Part	Description	Replaced Part	Qty.	Notes	Kits/Assys Where Needed
1	19124	-E- RING		2		
2	K-3467	PIN REPLACEMENT KIT	21245	1		
3	21246	BUSHING		2		K-2003,K-2428,K-2429,K-3399,S-2129,S-2130
4	S-1794	ISOLATOR ASSY		1		
6	21247	LEVER		1	STRAIGHT 18.67"	
7	21235	STUB LEVER		1	LOW TOWER	K-2428,S-1677
7	21236	STUB LEVER		1	HIGH TOWER	K-2429,S-1579,S-2130
9	21767	90 DEG LEVER		1	STRAIGHT 33"	
10	K-3399	ISOLATOR BUSHING KIT	21244 ,23311	1		
11	X-8-560	SCREW		1		
12	X-9-503	NUT		1		

## KITS & ASSEMBLIES

Item	Current Part	Description	Replaced Part	Qty.	Notes	Kits/Assys Where Needed
K-1012		CYLINDER KIT-REDN		1		
K-1079		BASIC OVERHAUL KIT		1		
K-1432		CYL KIT-RANGE		1		
K-1447		-O- RING KIT		1		K-1079,K-1863
K-1450		-O- RING KIT-RANGE		1		
K-1451		-O- RING KIT		1	REDUCTION	
K-1457		-O- RING KIT		1	FOR INSERT VALVE	
K-1476		SHIFT LEVER HSG	4530 ,17163 ,18298 ,4304905 ,A - 4437	1	LOW TOWER	
K-1486		REPAIR KIT-FILTER		1		
K-1509		SMALL PARTS KIT		1		
K-1546		REPL KIT-MAINSHAFT	15948 ,18134	1		
K-1566		VALVE REPAIR KIT		1	FOR A-3546 VALVE	
K-1613		CAP REPLACEMENT KIT	16429 ,18707	1	FOR A-4688 VALVE	
K-1631		SHIFT LEVER HSG	14456 ,17168 ,4304327	1	LOW	
K-1644		QUILL REPLACEMENT KIT	16833 ,16834	1		
K-1699		REPAIR KIT-SLAVE VALVE		1	FOR A-4688 VALVE	
K-1714		NO LONGER AVAILABLE		1	RTO	
K-1716		NO LONGER AVAILALBE		1	RT	
K-1847		REPL KIT-DRIVE GEAR	17214 ,20350	1		
K-1863		BASIC REBUILD KIT		1		
K-1921		MASTER VALVE REPAIR KIT		1	FOR A-6909 & A-5010 VALVES	
K-1922		MASTER VALVE REPAIR KIT		1	FOR A-5015 VALVE	
K-1935		REPAIR KIT-SLAVE VALVE		1	FOR A-5000 VALVE	
K-1956		COOLER INSTLN KIT		1		
K-1963		VALVE CONVERSION KIT		1	CONVERTS A-4688 TO A-5000 VALVE	
K-1969		SLEEVE KIT	14362 19460 ,21446	1	FOR SLAVE VALVES	K-1963
K-2003		PIN & BUSHING KIT		1		
K-2010		VALVE CONVERSION KIT		1	FOR A-5010 VALVE	
K-2015		VALVE CONVERSION KIT		1	FOR A-5015 VALVE	
K-2055		MASTER VALVE REPAIR KIT		1	FOR A-5315 VALVE	
K-2199		GASKET KIT		1		K-1079,K-1863
K-2256		OIL SEAL KIT	14337 ,19109 ,21036	1		
K-2262		OIL SEAL W/SLINGER	19109 ,20807 ,20808	1	"FOR MECHANICAL COVER"	
K-2394		AIR SYSTEMS TOOL KIT		1		
K-2424		VALVE REPLACEMENT KIT	19470	1		
K-2428		LEVER REPLACEMENT KIT		1	LOW TOWER	
K-2429		LEVER REPLACEMENT KIT		1	HIGH TOWER	
K-2468		CLUTCH INSTALLATION KIT		1	FOR USE WITH S-1659 INPUT SHAFT ASSY AND 81504 INPUT SHAFT BEARING	
K-2973		SHIFT LEVER HSG KIT	17166 ,17167 ,4303050 ,4304910 ,K - 1630 K - 1941	1	HIGH TOWER	
K-3192		MASTER VALVE REPAIR KIT		1	FOR A-6915 VALVE	
K-3194		MASTER VALVE REPAIR KIT		1	FOR A-7315 VALVE	
K-3399		ISOLATOR BUSHING KIT	21244 ,23311	1		
K-3467		PIN REPLACEMENT KIT	21245	1		
K-3491		SYNCHRONIZER KIT	K - 2445	1	LO RANGE / SMALL PIN	
K-3492		SYNCHRONIZER KIT	K - 2446	1	LO RANGE / LARGE PIN	
K-3494		SYNCHRONIZER REPLACEMENT KIT	K - 2448	1	SLIDING CLUTCH INCLUDED IN KIT	
K-3651		OIL SEAL TOOL KIT		1		
K-4125		CLUTCH INSTALLATION KIT (RT), HYDRAULIC RELEASE		1	STANDARD RT INPUT SHAFT AND YOKE FOR HYDRAULIC CLUTCH RELEASE	



Item	Current Part	Description	Replaced Part	Qty.	Notes	Kits/Assys Where Needed
S-1128		INPUT SHAFT	16465	1	2" PULL	K-1079
S-1129		INPUT SHAFT	16466	1	2" PUSH	
S-1219		YOKE ASSY LOW-REV		1		
S-1341		MAINSHAFT ASSY	16761 ,18729	1		
S-1347		REAR HOUSING ASSY	17548 ,18736 ,18757 ,18784 ,19100	1		
S-1404		OIL FILTER	17238	1		
S-1409		INPUT SHAFT	18837	1	2" PULL W/SEAL	
S-1440		SHIFT BAR HSG (STD)	15890 ,15928 ,16913 ,17115 ,17180 17182 ,17428 ,18571 ,18640 ,18644 18840 ,18847 ,19448 ,19449 ,19453 19454 ,19455 ,19605 ,20074 ,20210 20211 ,21133 ,22955 ,S - 1360 ,S - 1364 S - 1376 ,S - 1377	1	HOUSING ONLY	
S-1441		SHIFT BAR HSG (F)	15891 ,16340 ,16564 ,17114 ,17128 17181 ,17218 ,17492 ,17577 ,17900 18203 ,18436 ,18642 ,18646 ,18886 19159 ,19450 ,19451 ,19456 ,19457 19458 ,19717 ,19956 ,20072 ,20212 20213 ,21134 ,22956 ,S - 1106 ,S - 1361 S - 1370 ,S - 1374 ,S - 1375 ,S - 1378	1	HOUSING ONLY	
S-1445		SHIFT BAR HSG (X)	18920 ,20135 ,20214 ,20215 ,20487 21135	1	HOUSING ONLY (X)	
S-1446		SHIFT BAR HSG (XF)	18925 ,20136 ,20216 ,20217 ,20488 21136 ,S - 1361	1	HOUSING ONLY (XF)	
S-1516		CAP ASSY	20851 ,20853	1		
S-1527		SHIFT BAR HSG ASSY (X)	20215 ,21135	1	COMPLETE (X)	
S-1528		SHIFT BAR HSG ASSY (XF)	20217 ,21136	1	COMPLETE (XF)	
S-1529		SHIFT BAR HSG ASSY (F)	20213 ,22956	1	COMPLETE	
S-1531		SHIFT BAR HSG ASSY (STD)	20211 ,22955	1	COMPLETE	
S-1659		INPUT SHAFT	20535 23566 ,4302661	1	2" PULL	K-2468,K-4125
S-1660		INPUT SHAFT ASSY	20536 ,23567	1	2" PUSH	
S-1794		ISOLATOR ASSY		1		
S-2129		SHIFT LEVER HSG ASSY		1	LOW TOWER	
S-2130		SHIFT LEVER HSG ASSY	S - 2053	1	HIGH TOWER	
S-2151		REAR BRG COVER ASSY	S - 1429	1		
S-2553		ROADRANGER VALVE ASSY	A - 5044	1	RT - W/SHIFT DIAGRAM MEDALLION	
S-2554		ROADRANGER VALVE ASSY	A - 5046	1	RTO - W/SHIFT DIAGRAM MEDALLION	

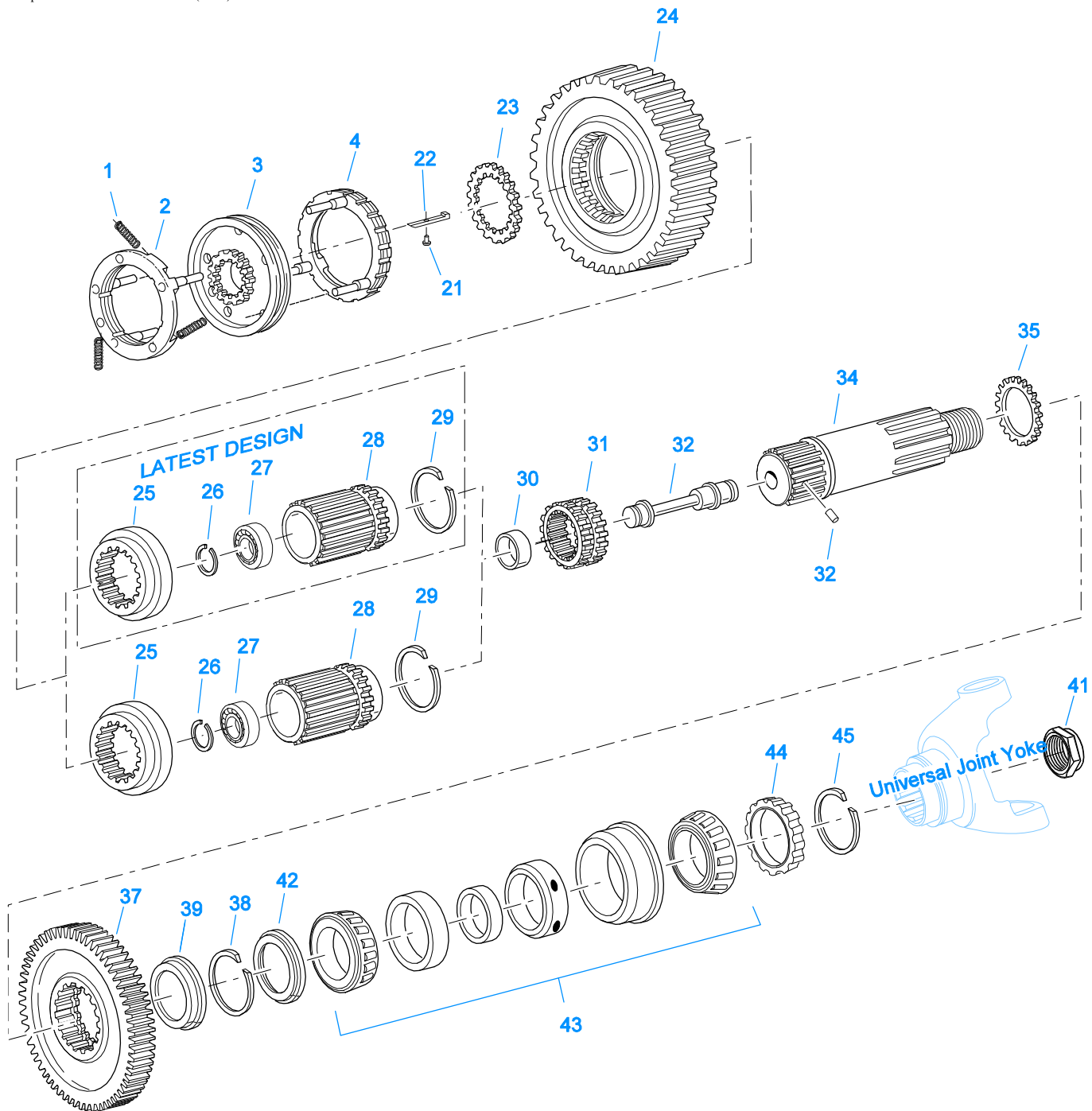


10203-6-94

## LEVERS/HOUSINGS

Item	Current Part	Description	Replaced Part	Qty.	Notes	Kits/Assys Where Needed
4	X-8C-604	CAPSCREW		4	3/8"-16X1-1/4"	S-1445,S-1446,S-1527,S-1528,S-1529,S-1531
22	S-1579	SHIFT TOWER ASSY		1	HIGH TOWER	
22	S-1677	SHIFT TOWER ASSY		1	LOW TOWER	
23	K-2428	LEVER REPLACEMENT KIT		1	LOW TOWER	
23	K-2429	LEVER REPLACEMENT KIT		1	HIGH TOWER	
33	S-2129	SHIFT LEVER HSG ASSY		1	LOW TOWER	

Item	Current Part	Description	Replaced Part	Qty.	Notes	Kits/Assys Where Needed
33	S-2130	SHIFT LEVER HSG ASSY	S - 2053	1	HIGH TOWER	
56	K-2973	SHIFT LEVER HSG KIT	17166 ,17167 ,4303050 ,4304910 ,K - 1630 K - 1941	1	HIGH TOWER	
57	X-1-500	NUT		1	5/16"-24	
58	X-3-500	LOCKWASHER		1	5/16"	
60	10427	BOOT		1		K-1476,K-2973,S- 1579,S-1677,S-2130
61	K-1627	NO LONGER AVAILABLE	14573 ,17164	1	HIGH	
61	K-1631	SHIFT LEVER HSG	14456 ,17168 ,4304327	1	LOW, USE W/14795 BOOT	
62	2271	NO LONGER AVAILABLE		1	5/16"	
62	6541	PIN		1	3/8"	
63	4305294	GASKET	4303431	1		K-1476,K-1631,K- 2199,K-2428,K- 2429,K-2973,S-1527,S- 1528,S-1529,S-1531,S- 1579,S-1677,S-2129,S- 2130
64	17600	GEAR SHIFT LEVER		1	STRAIGHT - LOW 21-1/2"	
64	17842	GEAR SHIFT LEVER		1	STD-HIGH 25.81"	
64	18482	GEAR SHIFT LEVER		1	STRAIGHT - HIGH 35"	
65	2538	RETAINER		1		K-1476,K-2973,S- 1579,S-1677,S-2130
66	2536	SPRING		1		K-1476,K-2973,S- 1579,S-1677,S-2130
68	K-3376	O-RING & WASHER KIT	4301211	1		
69	18299	PIN		1		K-1476,S-1677
70	K-1476	SHIFT LEVER HSG	4530 ,17163 ,18298 ,4304905 ,A - 4437	1	LOW TOWER	
71	11934	STUD	7467	4		
72	X-1-600	NUT		4	3/8"-24-N.F.PLAIN	
73	X-3-600	LOCKWASHER		4	3/8"	
74	14453	CLAMP		1		
75	14795	BOOT		1		
76	14454	CLAMP		1		
77	X-1-604	NUT		4	3/8"-24	
78	14461	PIN		1		
79	14236	NO LONGER AVAILABLE		4		
80	X-1-500	NUT		1	5/16"-24 - USE W/2271 PIN	
80	X-1-600	NUT		1	3/8"-24-N.F.PLAIN - USE W/6541 PIN	
81	X-3-500	LOCKWASHER		1	5/16" - USE W/2271 PIN	
81	X-3-600	LOCKWASHER		1	3/8" - USE W/6541 PIN	
82	1075	NO LONGER AVAILABLE		1	5/8"-11	
82	17560	LEVER GRIP		1	1/2"-13	

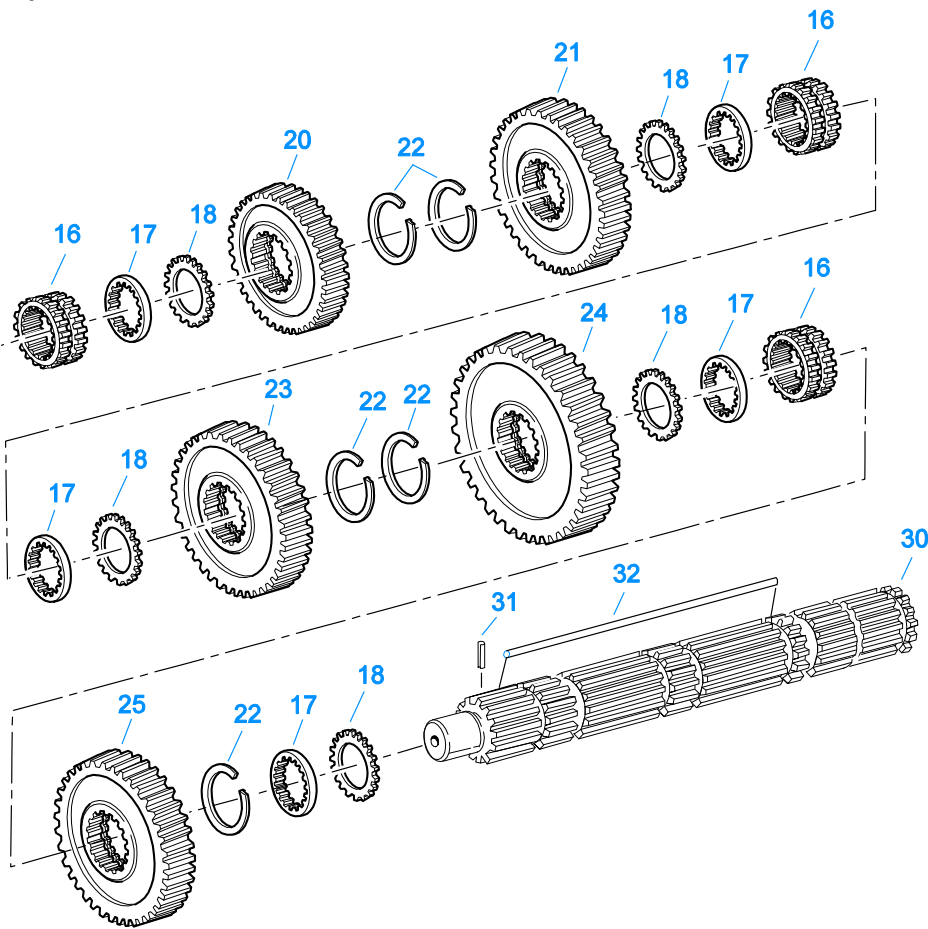


10436-6-95

### MAINSHAFT & SYNCHRO(AUX)

Item	Current Part	Description	Replaced Part	Qty.	Notes	Kits/Assys Where Needed
1	14897	SPRING		3		K-1079,K-1509,K-1863,K-3491,K-3492,K-3494
2	A-7331	SYNCHRONIZER ASSY	4304396 4304397 A - 5917	1	HI RANGE	K-3491,K-3492,K-3494
3	20323	SLIDING CLUTCH		1		K-3494
4	A-6153	SYNCHRONIZER ASSY	A - 4416	1	LO RANGE - SMALL PIN	K-3491
4	A-7254	SYNCHRONIZER ASSEMBLY	A - 4937 A - 5876	1	LO RANGE - LARGE PIN	K-3492,K-3494

Item	Current Part	Description	Replaced Part	Qty.	Notes	Kits/Assys Where Needed
21	14832	PIN		1		A-3697
22	A-3697	KEY & PIN ASSY	15516	1		K-1509
23	15932	WASHER .202-.204 BLACK		1		
23	17257	WASHER .206-.208 PURPLE		1		K-1509
23	17258	WASHER .210-.212 YELLOW		1		
24	17217	LO GEAR-MAINSHAFT		1		
25	18193	MAINSHAFT COUPLER	15938	1		
26	14291	SNAP RING		1		K-1079,K-1509,K-1863
27	81547-BOX	BEARING	81547	1		K-1079,K-1863
28	K-1546	REPL KIT-MAINSHAFT	15948 ,18134	1		
29	15957	SNAP RING		1	USE W/18134 RANGE M/S	
29	18135	SNAP RING		1	USE W/A-4410 RANGE M/S	K-1546
30	16516	BUSHING		1		K-1079,K-1863
31	17242	SLIDING CLUTCH		1		
32	K-1644	QUILL REPLACEMENT KIT	16833 ,16834	1		
34	A-4389	NO LONGER AVAILABLE	18127	1		
34	K-1456	NO LONGER AVAILABLE	17246	1		
35	17248	WASHER		1		K-1509
37	17247	REDUCTION GEAR		1		
38	18114	SNAP RING		1	USE W/A-4389 ONLY	K-1509
39	19544	WASHER		1		K-1509
41	22254	NUT	11956	1		
42	18125	RING		1		
43	15260	BEARING		1		K-1079,K-1863
44	20191	ROTOR		1		
45	18114	SNAP RING		1		K-1509



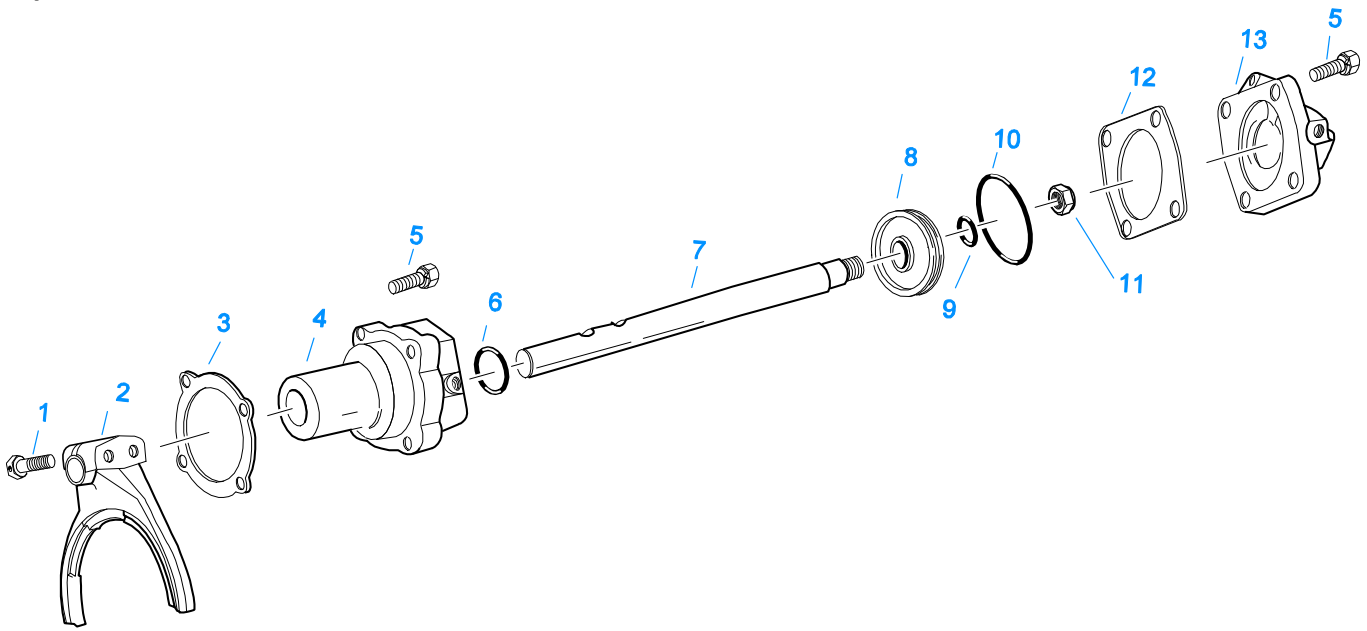
10334-6-95

## MAINSHAFT ASSY

Item	Current Part	Description	Replaced Part	Qty.	Notes	Kits/Assys Where Needed
16	16118	SLIDING CLUTCH		3		K-1079
17	14711	WASHER .248-.250 WHITE	18701	5		K-1509
17	14712	WASHER .253-.255 GREEN	18702	5		K-1509
17	14713	WASHER .258-.260 ORANGE	18703	5		K-1509
17	14714	WASHER .263-.265 PURPLE	18704	5		
17	14715	WASHER .268-.270 YELLOW	18705	5		
17	14716	WASHER .273-.275 BLACK	18706	5		
18	14749	SPACER		5		K-1509
20	19567	NO LONGER AVAILABLE		1		
21	16943	3RD GEAR-MAINSHAFT		1		
22	14750	SNAP RING		5		K-1079,K-1509,K-1863,K-2468,K-4125
23	16945	2ND GEAR-MAINSHAFT		1		
24	16947	1ST GEAR-MAINSHAFT		1		
25	16949	REVERSE GEAR-MAINSHAFT		1		
30	S-1341	MAINSHAFT ASSY	16761,18729	1		
31	62504	ROLL PIN		1		S-1341
32	17109	HEX (6-SIDED) KEY		1	MUST USE MATCHING WASHERS	

## MISCELLANEOUS

Item	Current Part	Description	Replaced Part	Qty.	Notes	Kits/Assys Where Needed
18683		WARNING LABEL		1		
19064		WARNING LABEL		1		
20467		SHIFT DIAGRAM LABEL	19832 20404	1	RTO	
20468		SHIFT DIAGRAM LABEL	19829 20403	1	RT/RTX	
71203		SILICONE LUBE		1	8 OZ (236.59 CC)-FLEET SIZE	
71204		ADHESIVE SEALANT		1	0.5 CC (SINGLE APPLICATION SIZE)	K-1079
71205		SEALANT		1	2 CC (SINGLE APPLICATION SIZE)	K-1079
71206		SILICONE LUBE		1	4 CC (SINGLE APPLICATION SIZE)	K-1012,K-1432,K-1447,K-1450,K-1451,K-1566,K-1699,K-2428,K-2429,K-3331

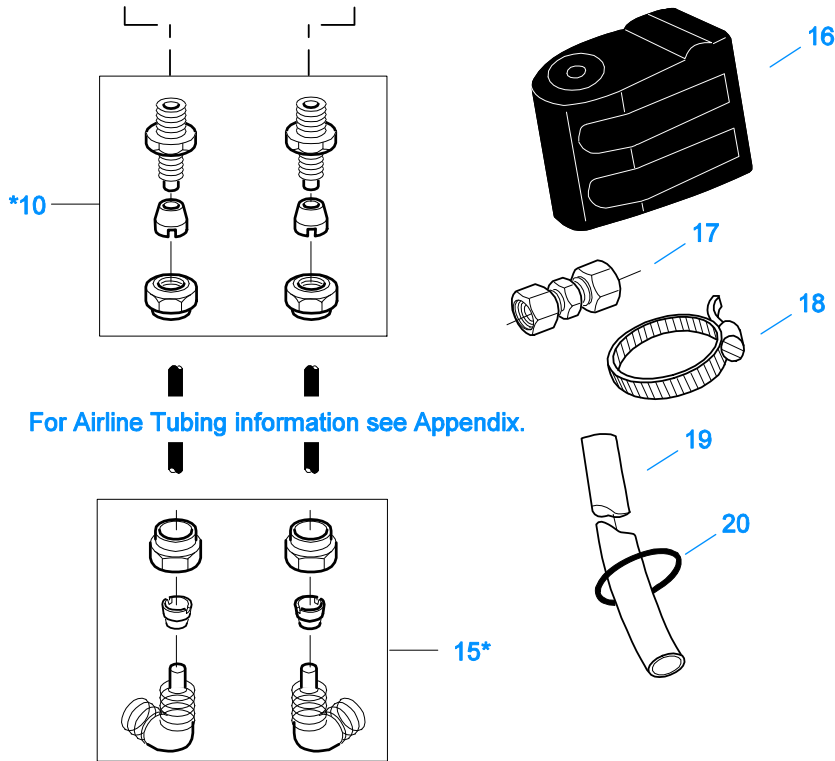
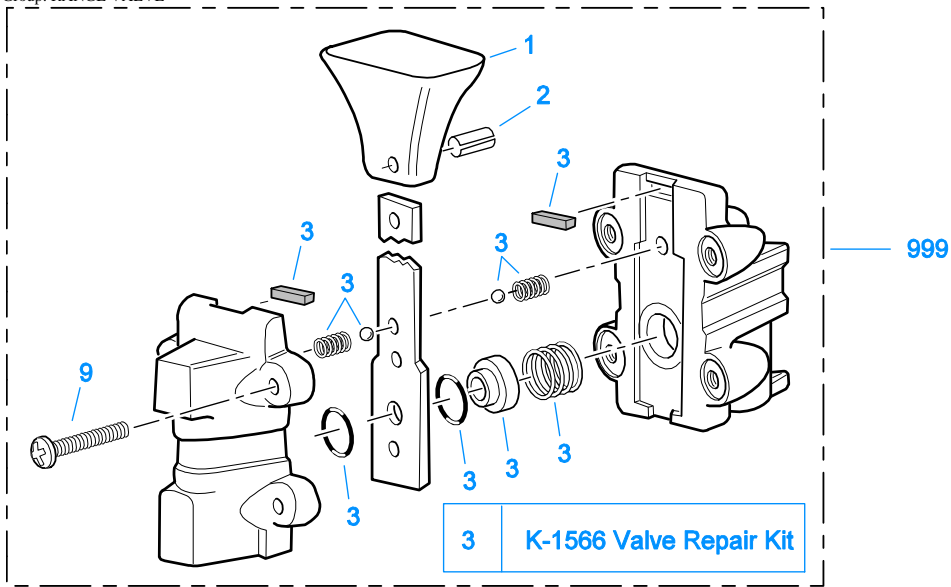


10462-4/92 Rng Cyl

## RANGE CYLINDER

Item	Current Part	Description	Replaced Part	Qty.	Notes	Kits/Assys Where Needed
1	X-7-809	BOLT	X 7 810 ,X 7 811	2	1/2"-20X1-3/4"	
2	22823	SHIFT YOKE	16775	1		
3	14347	GASKET		1		K-1432,K-2199
4	16777	AUXILIARY CYLINDER		1		K-1432
5	X-8L-604	CAPSCREW		8	3/8"-16X1-1/4"	
6	14765	-O- RING		1		K-1432,K-1447,K-1450
7	17251	NO LONGER AVAILABLE		1		
8	14341	PISTON	23353	1		K-1432
9	14345	-O- RING		1		K-1432,K-1447,K-1450
10	14344	-O- RING		1		K-1432,K-1447,K-1450
11	X-1-1010	NUT		1	5/8"-18	
12	14349	GASKET		1		K-1432,K-1447,K-1450,K-2199
13	14799	NO LONGER AVAILABLE		1		





\*For Connector and Elbow Assy component information see Appendix

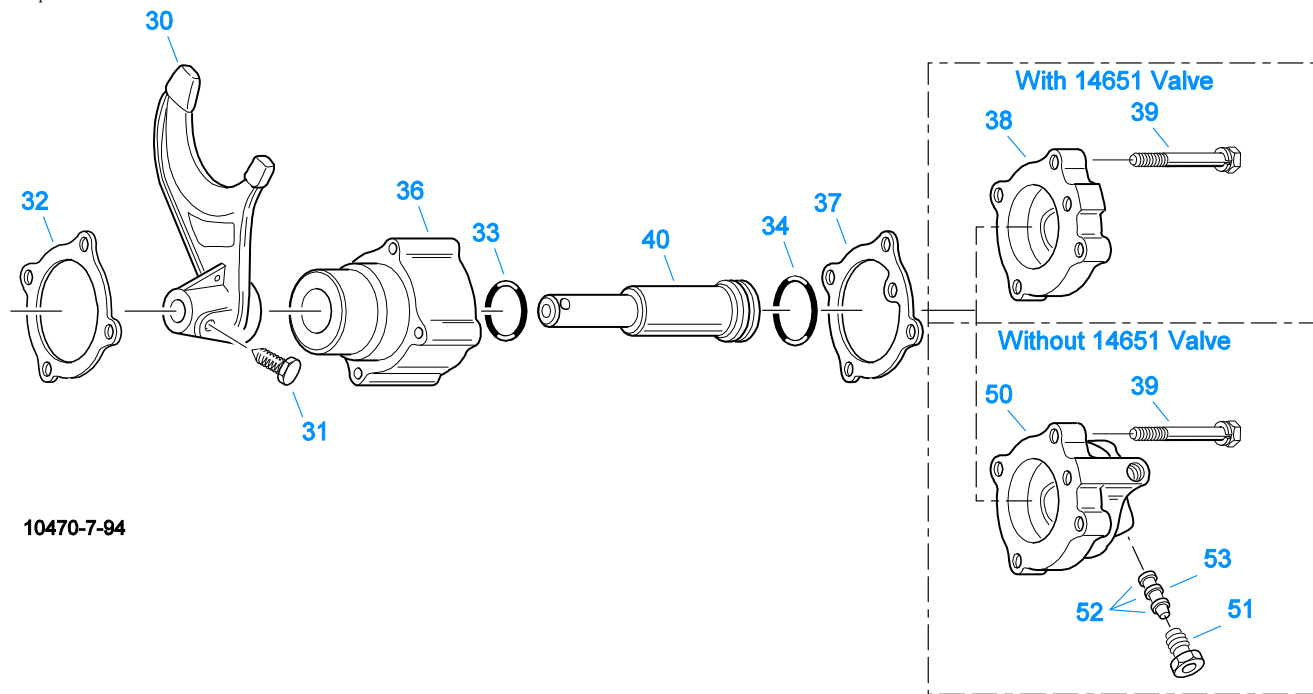
10099-5/93 AV

## RANGE VALVE

Item	Current Part	Description	Replaced Part	Qty.	Notes	Kits/Assys Where Needed
1	15120	KNOB		1		A-3546
2	62512	ROLL PIN		1		A-3546
3	K-1566	VALVE REPAIR KIT		1	FOR A-3546 VALVE	
9	X-13-214	SCREW		4	8-32X3/4"	
10	84002	CONNECTOR ASSY	82502	2	1/8" TUBE-1/8" NPTF	K-1079, K-1963
10	84004	CONNECTOR ASSY	82504	2	5/32" TUBE-1/8" NPTF	
10	84006	CONNECTOR ASSY		2	"PUSH-TO-CONNECT" 5/32" TUBE-	K-2010, K-2015

Item	Current Part	Description	Replaced Part	Qty.	Notes	Kits/Assys Where Needed
15	85001	ELBOW ASSY	84501	2	1/8"NPTF	
15	85002	ELBOW ASSY	84502	2	5/32"TUBE-1/8"NPTF	K-1079,K-1963
15	85003	ELBOW ASSY		2	1/8"TUBE-1/8"NPTF	K-2010,K-2015,K-3331
					"PUSH-TO-CONNECT" 5/32"TUBE-1/8"NPTF	
16	18905	NO LONGER AVAILABLE		1		
17	84101	UNION ASSY		1	1/8" TUBING	
17	84102	UNION ASSY		1	5/32" TUBING	
17	84103	UNION ASSY		1	"PUSH-TO-CONNECT" 5/32" TUBING	K-2010,K-2015
18	14441	CLAMP	14465	1		
19	80120	SHEATHING (50 FT ROLL)		1	5/32" - BLACK 50'	
20	13571	-O- RING CLAMP		2		
999	A-3546	RANGE VALVE ASSY	18268 ,18269 ,18272	1		

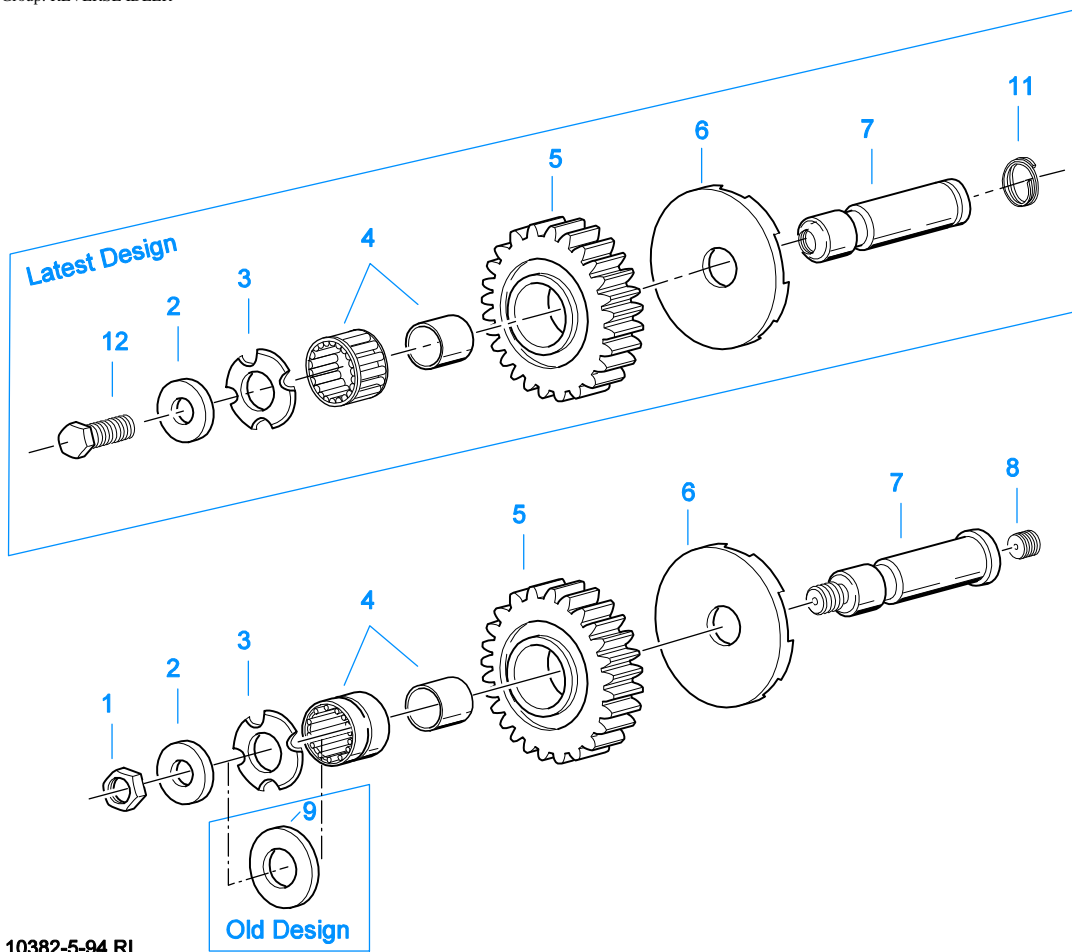
Group: REDUCTION CYLINDER



10470-7-94

## REDUCTION CYLINDER

Item	Current Part	Description	Replaced Part	Qty.	Notes	Kits/Assys Where Needed
30	17245	SHIFT YOKE		1		
31	3220	LOCKSREW		1		S-1527,S-1528,S-1529,S-1531
32	14632	GASKET		1		K-1012,K-2199
33	14644	-O- RING		1		K-1012,K-1447,K-1451
34	14621	-O- RING		1		K-1012,K-1447,K-1451
36	17070	AUXILIARY CYLINDER		1		K-1012
37	17073	GASKET		1		K-1012,K-2199
38	17072	CYLINDER COVER		1		K-1012
39	X-8L-540	CAPSCREW		4	5/16"-18X1-7/8"	
40	17244	YOKE BAR & PISTON		1		K-1012
50	K-3331	SPLITTER VLV REPL KIT	4300927 4304031 ,4304032 ,A - 6862	1		K-2015
51	15719	PLUG		1		
52	13653	-O- RING		3		K-1457,K-3331
53	19974	INSERT VALVE	15512 ,4303616	1		



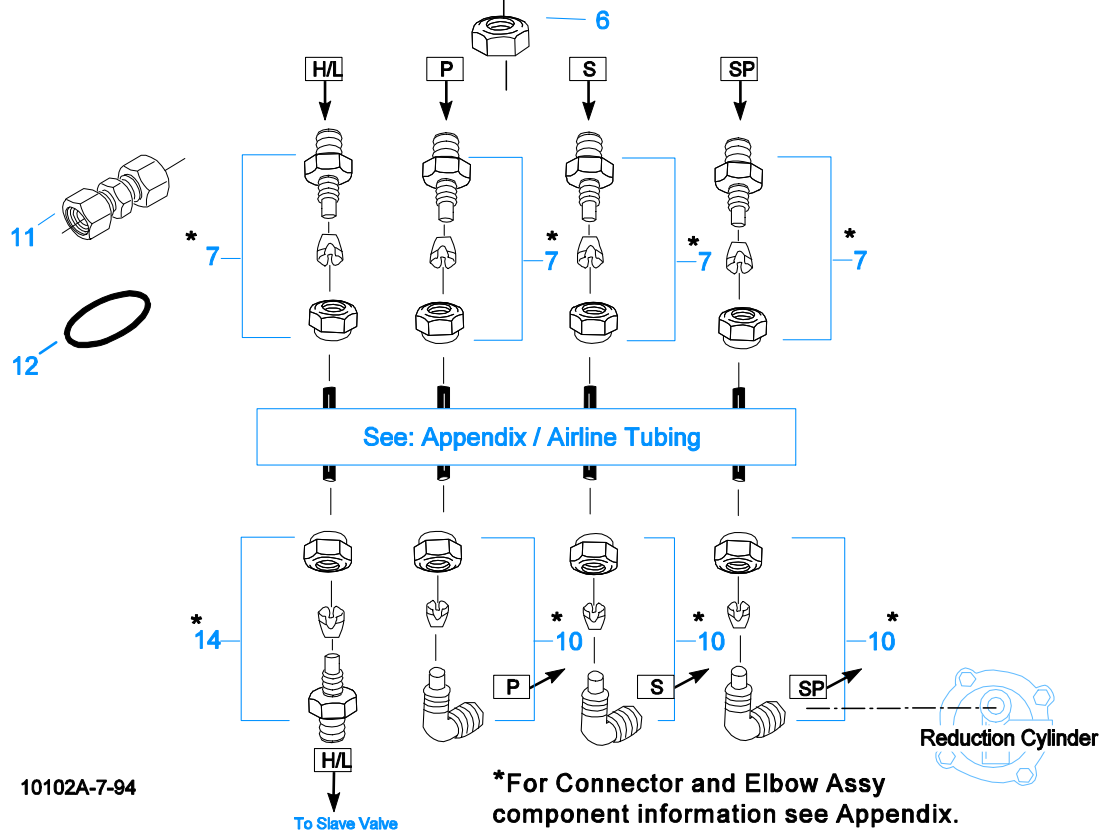
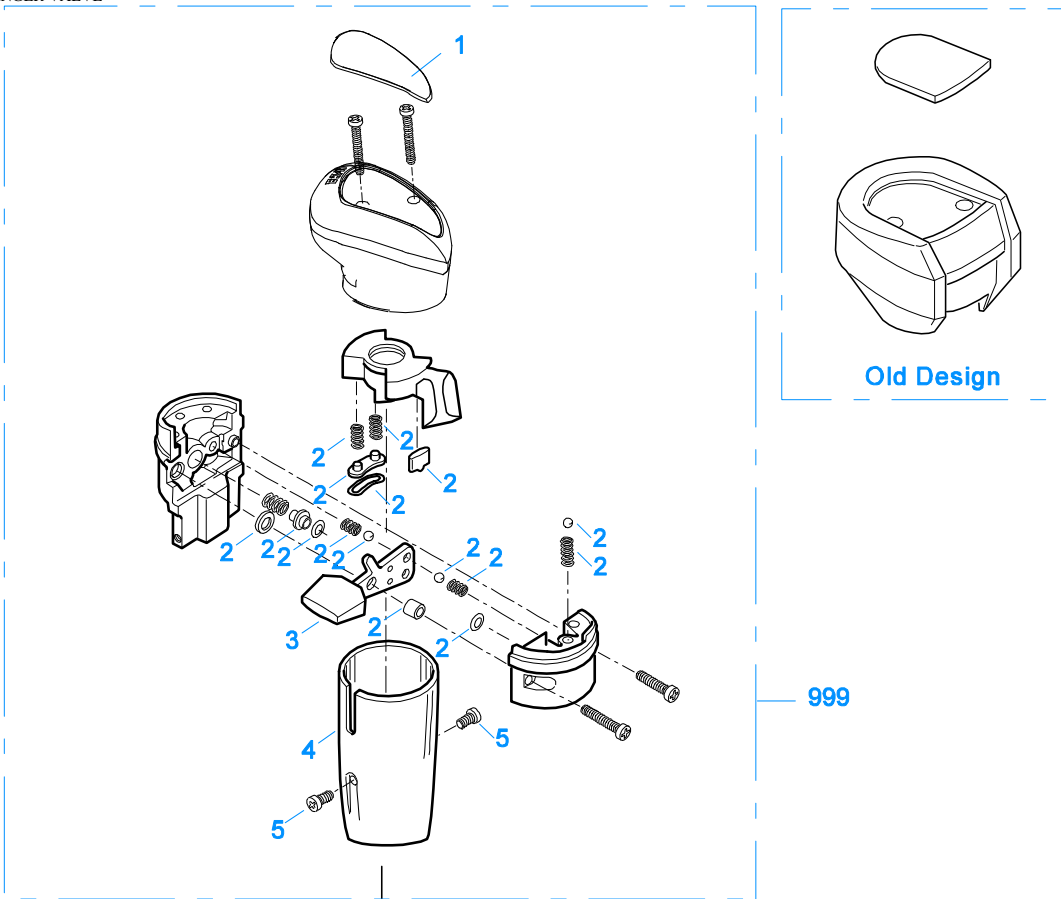
10382-5-94 RI

## REVERSE IDLER

Item	Current Part	Description	Replaced Part	Qty.	Notes	Kits/Assys Where Needed
1	X-1-1008	NUT		2	5/8"-18	
2	14283	WASHER		2		K-3216
3	4302982	WASHER	14282	2		K-3216
4	14287	BEARING	4305020	2		K-1079,K-1863
5	16953	IDLER GEAR		2		
6	16404	WASHER		2		K-3216
7	K-3216	NO LONGER AVAILABLE	4302981	2		
8	5202	PLUG		2		
9	14282	NO LONGER AVAILABLE		2		
11	4303336	RETAINING RING		2		K-3216
12	X-7-1008	CAPSCREW		2	5/8"-18X1-1/4	



Item	Current Part	Description	Replaced Part	Qty.	Notes	Kits/Assys Where Needed
18	18734	VALVE		1		
19	18656	NO LONGER AVAILABLE		1		
20	15899	PIN		1	RT-RTF-RTO-RTOF	S-1440,S-1441,S-1445,S-1446,S-1527,S-1528,S-1529,S-1531
20	20119	PIN		1	RTX-RTXF	
21	18685	NO LONGER AVAILABLE		1		
22	X-3-305	LOCKWASHER		2	#10	
23	X-1-250	NO LONGER AVAILABLE		2	#10-32	
24	X-8L-602	CAPSCREW		2	3/8"-16X1-1/2"	
25	18675	VALVE		1		
26	18684	NO LONGER AVAILABLE		1		

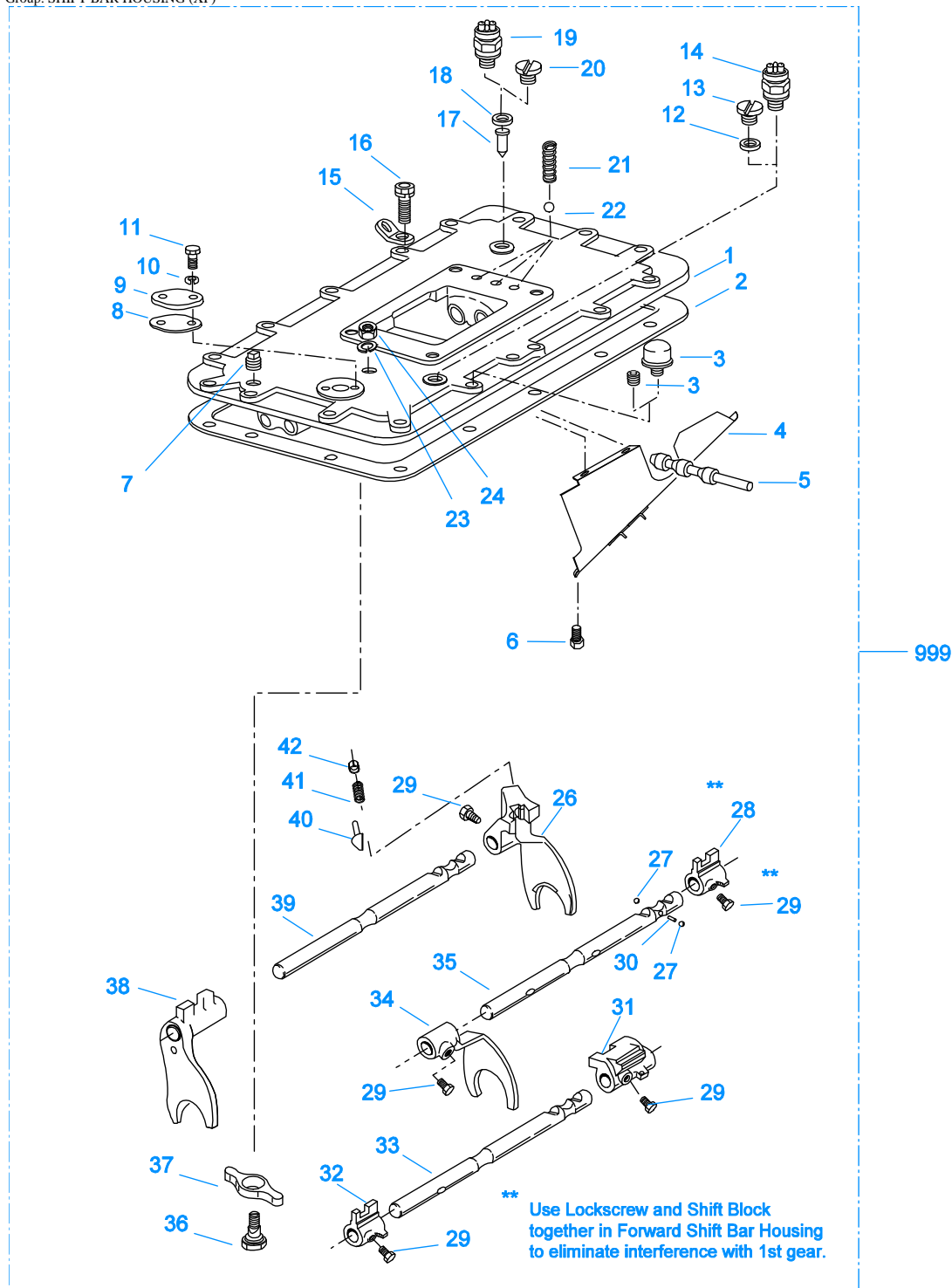


10102A-7-94

## ROADRANGER VALVE

Item	Current Part	Description	Replaced Part	Qty.	Notes	Kits/Assys Where Needed
1	20107	MEDALLION, LOGO		1	(OLD DESIGN) FULLER LOGO ONLY	
1	21691	LOGO MEDALLION	4302349, 4300370	1	(OLD DESGIN) FULLER LOGO (LEFT OF DRIVER)	
1	5586100	MEDALLION, LOGO		1	(LATEST DESIGN) FULLER LOGO ONLY	A-6915,A-7315
1	5586106	SHIFT DIAGRAM MEDALLION		1	RT	S-2553
1	5586107	SHIFT DIAGRAM MEDALLION		1	RTO	S-2554
2	K-1922	MASTER VALVE REPAIR KIT		1	FOR A-5015 VALVE	
2	K-2055	MASTER VALVE REPAIR KIT		1	FOR A-5315 VALVE	
2	K-3192	MASTER VALVE REPAIR KIT		1	FOR A-6915 VALVE	
2	K-3194	MASTER VALVE REPAIR KIT		1	FOR A-7315 VALVE	
3	20496	LEVER		1		A-6915,A-7315
4	20112	COVER		1		A-6915,A-7315
5	X-8-213	SCREW	X 8 202	2	8-32X3/8"	
6	X-9-802	NUT		1	1/2"-13	
7	84001	CONNECTOR ASSY	82501	4	1/8" TUBE-1/16" NPTF	
7	84003	CONNECTOR ASSY	82503	4	5/32" TUBE-1/16" NPTF	
7	84005	CONNECTOR ASSY		4	"PUSH-TO-CONNECT" 5/32" TUBE-1/16" NPTF	K-2010,K-2015
10	85001	ELBOW ASSY	84501	3	5/32" TUBE-1/8" NPTF	
10	85002	ELBOW ASSY	84502	3	1/8" TUBE-1/8" NPTF	K-1079,K-1963
10	85003	ELBOW ASSY		3	"PUSH-TO-CONNECT" 5/32" TUBE-1/8" NPTF	K-2010,K-2015,K-3331
11	84101	UNION ASSY		1	1/8" TUBING	
11	84102	UNION ASSY		1	5/32" TUBING	
11	84103	UNION ASSY		1	"PUSH-TO-CONNECT" 5/32" TUBING	K-2010,K-2015
12	13571	-O- RING CLAMP		1		
14	84002	CONNECTOR ASSY	82502	1	1/8" TUBE-1/8" NPTF	K-1079,K-1963
14	84004	CONNECTOR ASSY	82504	1	5/32" TUBE-1/8" NPTF	
14	84006	CONNECTOR ASSY		1	"PUSH-TO-CONNECT" 5/32" TUBE-1/8" NPTF	K-2010,K-2015
999	A-6915	ROADRANGER VALVE ASSY	A - 5015	1	STANDARD-W/LOGO	K-2015
999	A-7315	ROADRANGER VALVE ASSY	A - 5315	1	(LEFT OF DRIVER)-W/LOGO	
999	S-2553	ROADRANGER VALVE ASSY	A - 5044	1	RT - W/SHIFT DIAGRAM MEDALLION	
999	S-2554	ROADRANGER VALVE ASSY	A - 5046	1	RTO - W/SHIFT DIAGRAM MEDALLION	





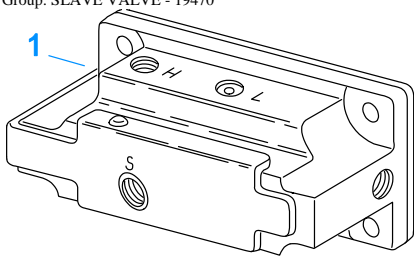
10250-1/92 X-Forward

### SHIFT BAR HOUSING (XF)

Item	Current Part	Description	Replaced Part	Qty.	Notes	Kits/Assys Where Needed
1	S-1446	SHIFT BAR HSG (XF)	18925 ,20136 ,20216 ,20217 ,20488 21136 ,S - 1361	1	HOUSING ONLY	
2	4302676	GASKET	14918	1		K-2199,S-1527,S- 1528,S-1529,S-1531
3	4304602	BREATHER	23605	1	1/4" NPT	
3	X-12-404	PIPE PLUG		1	1/4" NPT	

Item	Current Part	Description	Replaced Part	Qty.	Notes	Kits/Assys Where Needed
4	20070	OIL TROUGH		1		S-1527,S-1528,S-1529,S-1531
5	20332	AIR VALVE SHAFT	17177	1		S-1527,S-1528,S-1529,S-1531
6	X-8-423	CAPSCREW		2	1/4"-20X1/2"	
7	X-12-603	PIPE PLUG	X12 602	1	3/8" NPT	
8	20209	GASKET		1		S-1440,S-1441,S-1445,S-1446,S-1527,S-1528,S-1529,S-1531
9	20199	PLATE	18724	1		S-1440,S-1441,S-1445,S-1446,S-1527,S-1528,S-1529,S-1531
10	X-3-400	LOCKWASHER		2	1/4"	
11	X-8-406	CAPSCREW		2	1/4"-20X3/4"	
12	17179	GASKET		1		S-1440,S-1441,S-1445,S-1446,S-1527,S-1528,S-1529,S-1531
13	4303655	PLUG	17178	1		S-1440,S-1441,S-1445,S-1446,S-1527,S-1528,S-1529,S-1531
14	22941	NEUTRAL LIGHT SWITCH	12639	1	SWITCH NORMALLY CLOSED	
15	20815	LIFTING EYE	17105	2		
16	X-8L-602	CAPSCREW		2	3/8"-16X1-1/2" USE W/20815 LIFTING EYES	
16	X-8L-604	CAPSCREW		16	3/8"-16X1-1/4"- OR USE 14 PCS OF X-8L-604 WITH 2 PCS OF X-8L-602	
17	15899	PIN		1		S-1440,S-1441,S-1445,S-1446,S-1527,S-1528,S-1529,S-1531
18	15900	GASKET		1		S-1440,S-1441,S-1445,S-1446,S-1527,S-1528,S-1529,S-1531
19	22940	REVERSE LIGHT SWITCH	16830	1	SWITCH NORMALLY OPEN	
20	4303656	PLUG	15917	1		S-1440,S-1441,S-1445,S-1446,S-1527,S-1528,S-1529,S-1531
21	15918	SPRING		3		K-1079,K-1509,S-1527,S-1528,S-1529,S-1531
22	X-14-800	STEEL BALL		3	1/2"	
23	X-10-801	WASHER		1	1/2"	
24	X-1-803	NUT		1	1/2"-20	
26	16338	SHIFT YOKE		1	REVERSE/LO	S-1528,S-1529
27	X-14-1200	STEEL BALL		2	3/4"	
28	15770	SHIFT BLOCK		1	1ST/2ND	S-1528
29	22943	LOCKSCREW		1	USE W/15770 SHIFT BLOCK	S-1528,S-1529
29	3220	LOCKSCREW		4		S-1527,S-1528,S-1529,S-1531
30	1634	INTERLOCK PIN		1		K-1509,S-1527,S-1528,S-1529,S-1531
31	19062	SHIFT BLOCK		1	3RD/OD	S-1528
32	20120	SHIFT BLOCK	18924	1	3RD/OD	S-1527,S-1528
33	18931	YOKE BAR	4302759	1	3RD/OD	S-1528
33	20118	YOKE BAR		1	3RD/OD-W/ROAD SPEED GOVERNOR	
34	18922	SHIFT YOKE		1	1ST/2ND	S-1527,S-1528
35	18930	YOKE BAR		1	1ST/2ND	S-1528
36	18919	ACTUATOR PIVOT PIN		1		
37	18918	NO LONGER AVAILABLE		1		
38	4305575	SHIFT YOKE	20450	1	3RD/OD	S-1527,S-1528
39	18929	YOKE BAR		1	REVERSE/LO	S-1528
40	10019	PLUNGER		1		S-1219,S-1527,S-1528,S-1529,S-1531
41	6392	SPRING		1		K-1509,S-1219,S-1527,S-1528,S-1529,S-1531
42	8968	PLUG		1		S-1219,S-1527,S-1528,S-1529,S-1531
999	S-1528	SHIFT BAR HSG ASSY (XF)	20217 ,21136	1	COMPLETE	

Group: SLAVE VALVE - 19470

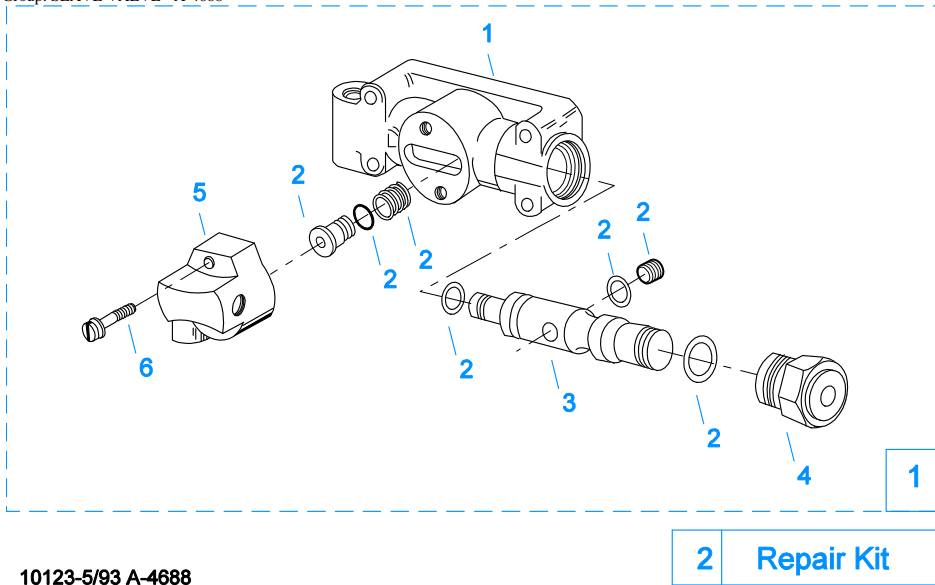


10121-1/92 19470 SV

## SLAVE VALVE - 19470

Item	Current Part	Description	Replaced Part	Qty.	Notes	Kits/Assys Where Needed
1	K-2424	VALVE REPLACEMENT KIT	19470	1		

Group: SLAVE VALVE - A-4688



10123-5/93 A-4688

### SLAVE VALVE - A-4688

Item	Current Part	Description	Replaced Part	Qty.	Notes	Kits/Assys Where Needed
1	A-4688	SLAVE VALVE ASSY	15125 ,19464 ,A - 3991	1		
2	K-1699	REPAIR KIT-SLAVE VALVE		1	FOR A-4688 VALVE	
3	19463	PISTON	15126	1		A-4688
4	20849	CAP	15131	1		A-4688,A-5000
5	K-1613	CAP REPLACEMENT KIT	16429 ,18707	1	FOR A-4688 VALVE	
6	X-8S-401	CAPSCREW		2	1/4"-20X1-1/8"	



10120-10-97 A-5000 SV

2 Repair Kit

### SLAVE VALVE - A-5000

Item	Current Part	Description	Replaced Part	Qty.	Notes	Kits/Assys Where Needed
1	A-5000	SLAVE VALVE ASSY	20850	1		K-1963,K-2424
2	K-1935	REPAIR KIT-SLAVE VALVE		1	FOR A-5000 VALVE	
3	20855	PLUG		1		A-5000
4	20854	PISTON		1		A-5000
5	20849	CAP	15131	1		A-4688,A-5000
7	S-1516	CAP ASSY	20851 ,20853	1		
8	X-8C-413	CAPSCREW		3	1/4"-20X1-1/2"	

