



## Eaton Fuller RTXF-12610 Transmission Parts Manual

This is Eaton Fuller RTXF-12610 Transmission parts manual brought to you by Pro Gear and Transmission to assist you identifying the parts for your Eaton / Fuller transmission unit.


If you need any assistance identifying the correct Eaton / Fuller unit for your truck and equipment, contact your Eaton replacement parts specialists at Pro Gear and Transmission.

Pro Gear stocks every part for your Eaton transmission including: Valve Assemblies, Synchronizers, Yoke Assemblies, O-Ring Kits, Drive Gears, Gaskets, Bearing and Seal Kits, and much more.

Pro Gear and Transmission has same day shipping and thousands of products in stock and ready to ship internationally for your next project.

For parts or service contact the Eaton transmission specialists at Pro Gear & Transmission, Inc.

 CALL US

 EMAIL US

 VISIT MODEL PAGE

 VISIT ONLINE STORE



**Roadranger®**

More time on the road®

# Illustrated Parts List

---

**RTXF-12610**  
**July 2011**

# Contents

How To Use The Illustrated Parts List .....	3
AUXILIARY DRIVE GEAR.....	4
CASE (AUX) .....	5
CASE (FRONT).....	7
COUNTERSHAFT & BRGS(AUX).....	9
COUNTERSHAFT ASSY.....	10
FILTER REGULATOR.....	11
H & C W/19470 VALVE.....	12
H & C W/A-4688 VALVE.....	13
H & C W/A-5000 VALVE.....	14
INPUT SHAFT & DRIVE GEAR.....	15
INTEGRAL OIL PUMP .....	17
ISOLATORS.....	19
KITS & ASSEMBLIES.....	20
LEVERS/HOUSINGS .....	22
MAINSHAFT & SYNCHRO(AUX).....	24
MAINSHAFT ASSY.....	25
MISCELLANEOUS .....	27
NON-SELECTIVE M/S ASSY .....	28
OIL COOLER.....	29
RANGE CYLINDER.....	30
RANGE VALVE .....	31
REVERSE IDLER.....	33
ROAD SPEED GOVERNOR .....	34
ROADRANGER VALVE .....	37
SHIFT BAR HOUSING (XF) .....	38
SLAVE VALVE - 19470.....	40
SLAVE VALVE - A-4688.....	41
SLAVE VALVE - A-5000.....	42

## How To Use The Illustrated Parts List

The information contained in this document is subject to frequent updates. Therefore, for the latest information available, please visit the interactive Electronic Parts Catalog at [www.roadranger.com/epc](http://www.roadranger.com/epc).

### Model Designation or Nomenclature

- For information regarding Model Designation and Nomenclature, visit [www.roadranger.com](http://www.roadranger.com).

### Kits and Assemblies (K/A's)

- Kits and Assemblies contain groups of individual or assembled parts developed for optimal replacement or repair of a service problem.
- Kits and Assemblies are shown with applicable parts groupings in the parts listings.

### Identifying Kits and Assemblies

A- Part numbers beginning with the letter 'A' are pre-assembled Production Assemblies

K- Part numbers beginning with the letter 'K' are kits that are not assembled

S- Part numbers beginning with the letter 'S' are pre-assembled Service Assemblies

- Note: Some Production Assemblies do not begin with a letter prefix (Midrange only).

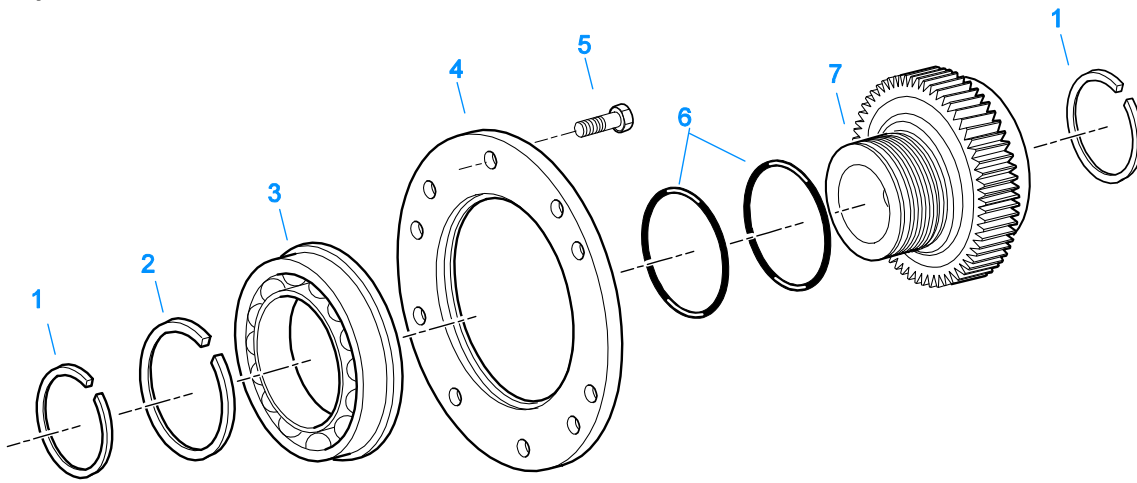
### Illustrations

- Illustrations show parts in assembly groups.
- Item numbers on illustrations correspond with parts listings on pages adjacent to the illustration.
- Notes are included on illustrations where additional information is needed.

### Parts Listing

Parts listings are defined by parts groupings and are broken down by service assemblies. Parts listings identify a part for servicing with the following categories

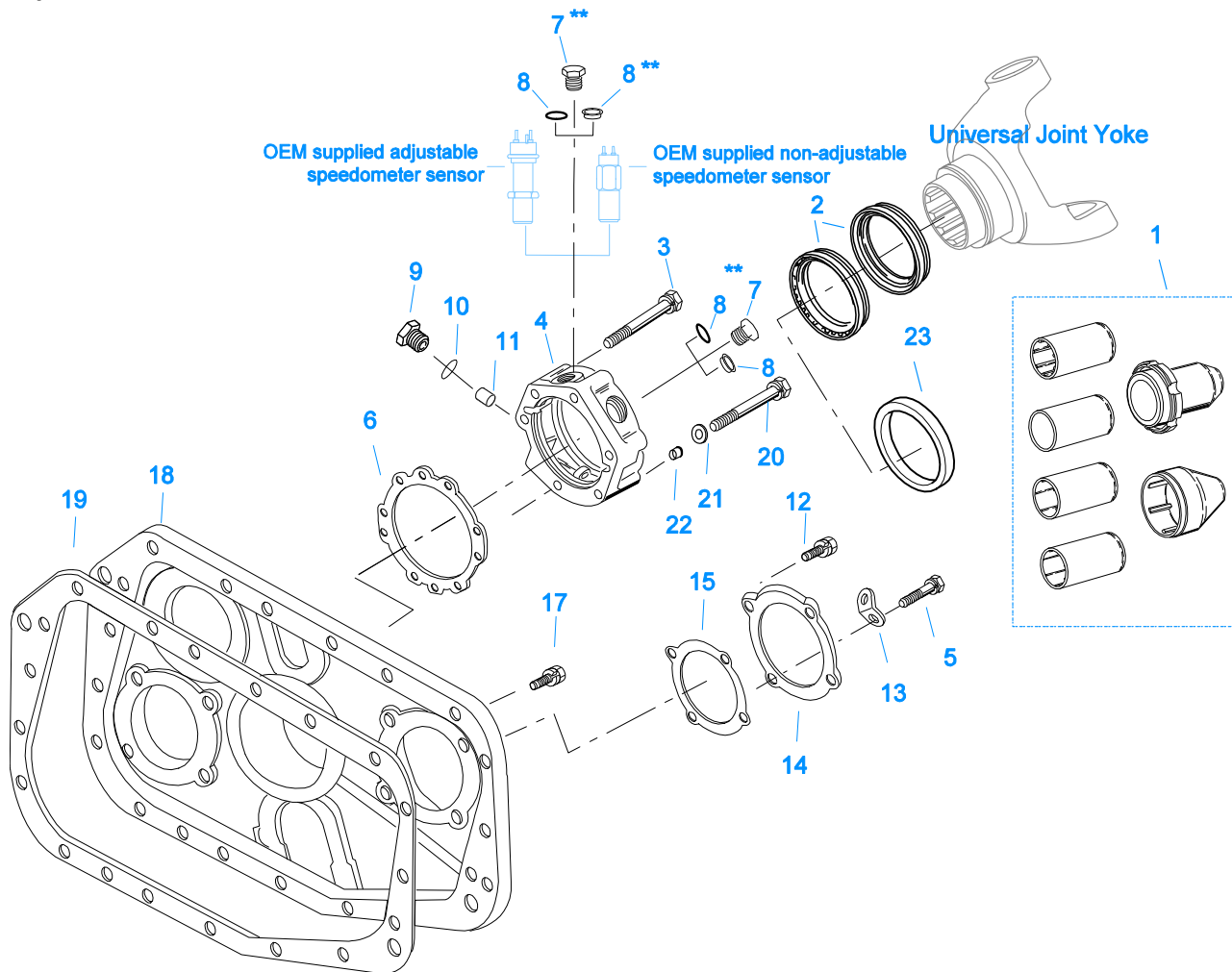
- **Item Number** - corresponding with numbers on illustrations for part identification.
- **Current Part** - identifies part as it is available for service.
- **Description** - specifies part name or description.
- **Replaced Part** - quantity quantity required for assembly.
- **Quantity** - defines unique characteristics or requirements.
- **Notes** - indicates Kits or Assemblies that contain a particular part.
- **Kits/Assy's Where Used**



10483-5/93 Aux DG

### AUXILIARY DRIVE GEAR

Item	Current Part	Description	Replaced Part	Qty.	Notes	Kits/Assys Where Needed
1	16763	SNAP RING		2		K-1790,K-2283,K-2345,K-2761,K-3152,K-3153
2	16628	SNAP RING		1		K-1790
3	5566507-BOX	BEARING	5566504,5566507	1		K-2283,K-2345,K-2761
4	16138	BEARING RETAINER		1		
5	X-8-645	CAPSCREW	X 8 612	6	3/8"-16X1"	
6	17453	-O- RING		2		K-2283,K-2311,K-2345,K-2761
7	K-2311	REPL KIT-DRIVE GEAR	19275 ,4300466	1		



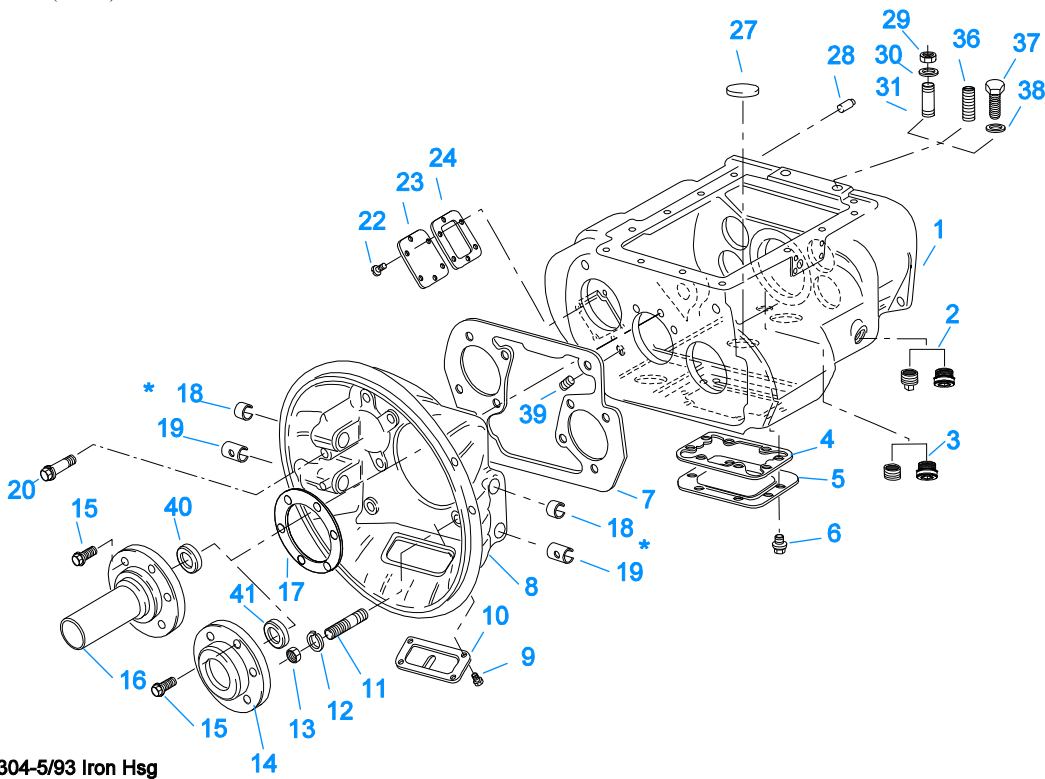
**\*\* Note — Items 7 & 8 / Magnetic Speedometer Openings:**  
 Use 13679 "O" ring w/ OEM supplied adjustable speedometer sensor  
 and 20225 "O" ring w/ OEM supplied non-adjustable speedometer sensor or Eaton part #20224 Plug

**10409-5-94 Aux Case**

**CASE (AUX)**

Item	Current Part	Description	Replaced Part	Qty.	Notes	Kits/Assys Where Needed
1	K-3651	OIL SEAL TOOL KIT		1		
2	K-2262	OIL SEAL W/SLINGER	19109 ,20807 ,20808	1	"FOR MECHANICAL COVER"	
3	X-8L-605	CAPSCREW		5	3/8"-16X3" - USE W/S-2136 COVER	
3	X-8L-616	CAPSCREW	X 8 616	5	3/8"-16X2-3/4" - USE W/S-2149 COVER	
4	S-2136	REAR BRG COVER ASSY	21950 ,22040 ,22041 ,22042 ,4302006	1	EXTENDED	
4	S-2149	REAR BRG COVER ASSY	4302007 ,S - 1563	1		
5	X-8L-600	CAPSCREW	20208 ,21062	2	3/8"-16X1" - USE WITH 20815 LIFTING EYES	
6	15532	GASKET		1		K-1603,K-2199,K-2256,K-2262,S-2136,S-2149
7	20224	PLUG-MAGNETIC		2		S-2136,S-2149
8	13679	-O- RING		1	USE W/OEM SUPPLIED ADJUSTABLE SPEEDOMETER SENSOR NOT TO BE USED WITH 4301954 SEAL	

Item	Current Part	Description	Replaced Part	Qty.	Notes	Kits/Assys Where Needed
8	20225	-O- RING		2	USE W/20224 PLUG OR OEM SUPPLIED NON-ADJUSTABLE SPEEDOMETER SENSOR NOT TO BE USED WITH 4301954 SEAL O-RING NOT REQUIRED	
8	4301954	SENSOR SEAL		2		S-2136,S-2149
9	20226	PLUG-MECHANICAL	2237	1		S-2136,S-2149
10	14142	-O- RING		1		S-2136,S-2149
11	7992	BUSHING		1		S-2136,S-2149
12	X-8-686	CAPSCREW		6	3/8"-16X3/4"	
13	20815	LIFTING EYE	17105	2		
14	16724	REAR BRG COVER		2		
15	17097	GASKET		2		K-1603,K-2199
17	X-8L-609	CAPSCREW		14	3/8"-16X1-3/4"	
17	X-8L-614	CAPSCREW		5	3/8"-16X2"	
18	19469	REAR HOUSING	19465	1		
19	14335	GASKET		1		K-1603,K-2199
20	X-8-681	CAPSCREW		1	3/8"-16X2-3/4" - USE W/S-2149 COVER	
20	X-8-682	CAPSCREW		1	3/8"-16X3" - USE W/S-2136 COVER	
21	17106	GASKET		1		K-2199,K-2256,K-2262,S-2136,S-2149
22	19709	COLLAR		1		K-1603,K-2199,K-2256,K-2262,S-2136,S-2149
23	K-2262	OIL SEAL W/SLINGER	19109 ,20807 ,20808	1	"FOR MECHANICAL COVER"	



**10304-5/93 Iron Hsg**

\* Bushing quantity requirements: #1 Housing – Upper bore use 4 #12815 / Lower bore use 2 #8677.

#2 Housing – Upper bore use 2 #12815 and 1 #8677 / Lower bore use 2 #8677.

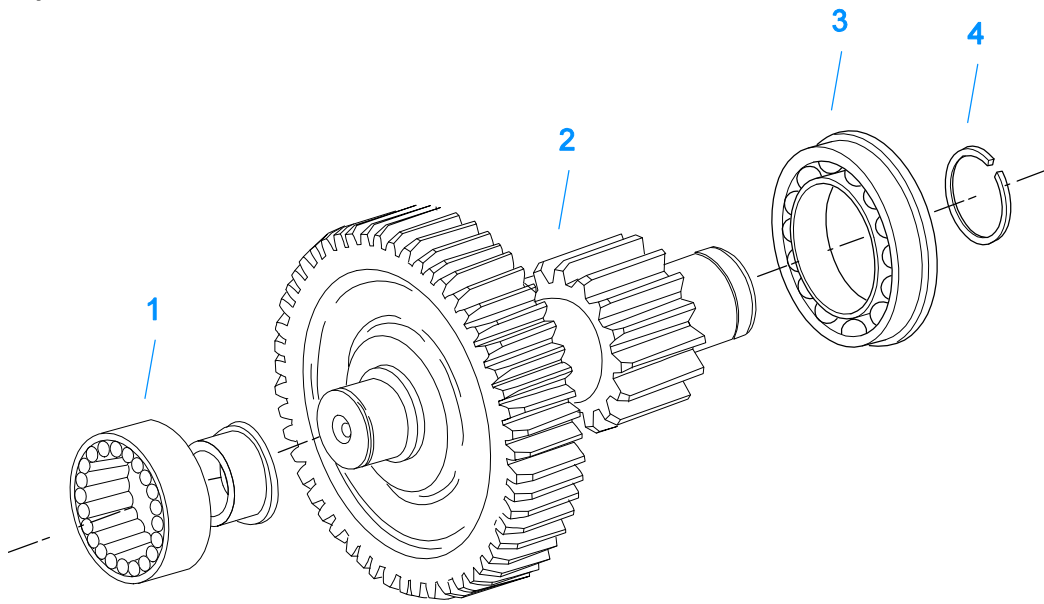
**Note: Some part requirements are specific to #1 or #2 Clutch Housings and Push or Pull type Clutch.**

**CASE (FRONT)**

Item	Current Part	Description	Replaced Part	Qty.	Notes	Kits/Assys Where Needed
1	S-1325	NO LONGER AVAILABLE	16950	1		
1	S-1520	CASE ASSY	20501	1	FOR USE W/INTEGRAL PUMP	
2	4304023	PLUG	4303747	1	1-1/16" MAGNETIC, O-RING INCLUDED	S-1520
2	X-12-2007	PIPE PLUG	X12 2006	1		
3	4304023	PLUG	4303747	1	1-1/16" MAGNETIC, O-RING INCLUDED	S-1520
3	X-12-1207	PIPE PLUG	X12 1202 ,X12 1206	1	3/4" MAGNETIC	
4	4305310	GASKET	4302810	1		K-2199
5	4302809	PTO COVER	16596 ,4300571	1		
6	X-8-725	CAPSCREW	X 8 724	8	7/16"-14X7/8"	
7	4306584	CLUTCH HOUSING GASKET	4304815,4305668	1		K-2199
8	A-3713	CLUTCH HOUSING ASSY	A - 3700	1	#1 PUSH-PULL IRON	
8	A-3723	CLUTCH HOUSING ASSY	A - 3721 ,A - 3722	1	#2 PUSH-PULL IRON	
8	A-4772	CLUTCH HOUSING ASSY	A - 4344 ,A - 4771	1	#2 PUSH-PULL ALUM.	
8	A-6064	CLUTCH HOUSING ASSY	A - 4342 ,A - 4770 ,A - 6062 ,A - 6063 ,A - 6065	1	#1 PUSH-PULL ALUM.	
9	239614	SCREW	X-8L-509	4	5/16-18X.81 QUANTITY DEPENDENT ON DESIGN	
10	14506	HAND HOLE COVER		1	#2 PUSH	
10	14507	HAND HOLE COVER		1	#2 PULL	
10	4305230	HAND HOLE COVER	11453	1	#1 PULL	
10	4305231	HAND HOLE COVER	1565	1	#1 PUSH	
11	4306583	STUD	5966	6		
12	X-10-1005	WASHER	X 3 1000 ,X10 1000 ,X10 1004	6	1.23 X 6.60	
13	X-1-1012	HEX NUT	X-1-1005	6	.625-18	
14	14267	FRONT BRG. COVER		1	1-3/4" PULL	
14	15111	FRONT BRG. COVER		1	2" PULL	
14	18699	FRONT BRG. COVER		1	1-3/4" & 2" PULL W/SEAL	
14	20550	FRONT BRG COVER		1	2" PULL	K-2468,K-2761,K-4125



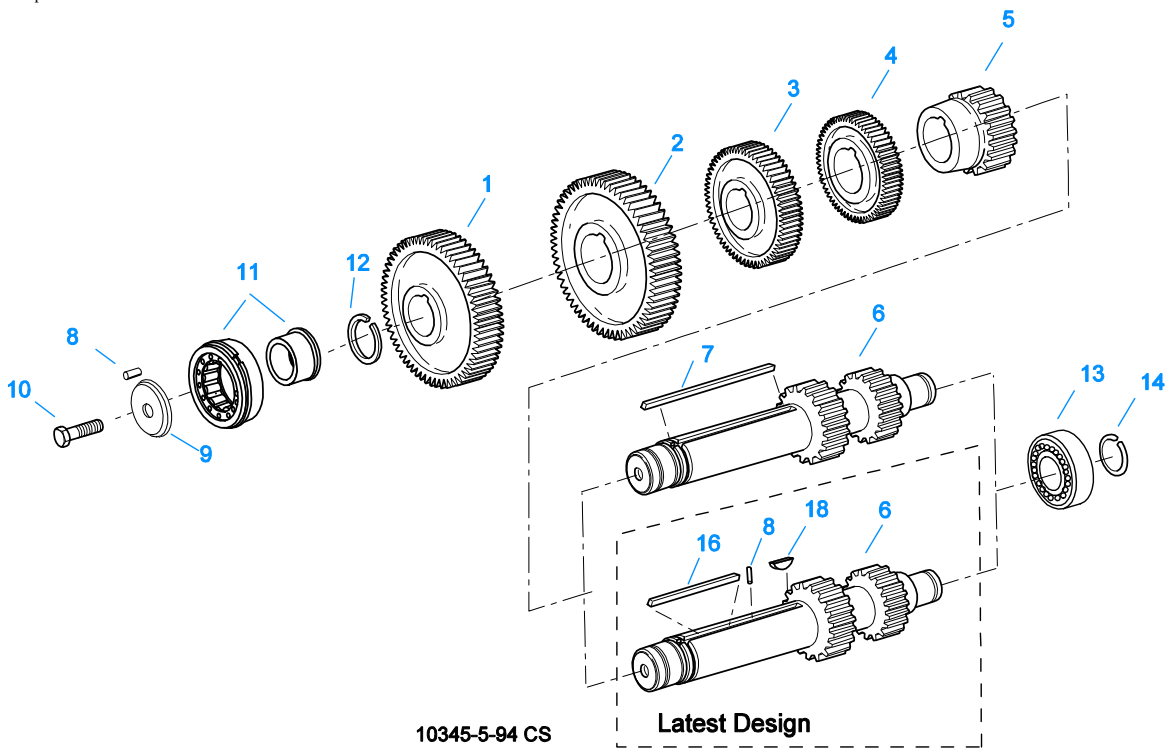
Item	Current Part	Description	Replaced Part	Qty.	Notes	Kits/Assys Where Needed
14	20552	FRONT BRG COVER		1	1-3/4" PULL	K-2345
15	X-8L-604	CAPSCREW		6	3/8"-16X1-1/4" USE 6 PCS WITH PULL TYPE COVER USE 4 PCS WITH PUSH TYPE COVER	
15	X-8L-619	CAPSCREW		2	3/8"-16X1-1/4" - USE WITH PUSH TYPE COVER	
16	14994	FRONT BRG. COVER		1	2" PUSH	
16	15113	FRONT BRG. COVER		1	1-3/4" & 2" PUSH W/SEAL	
16	20549	FRONT BRG COVER		1	2" PUSH	
16	20551	FRONT BRG. COVER		1	1-3/4" PUSH	
16	S-1478	NO LONGER AVAILABLE		1	1-3/4" PUSH	
17	14311	GASKET		1		K-2199
18	12815	BUSHING		4	FOR #1 HOUSING - UPPER	A-3713,A-3723,A-4772,A-6064,K-2468
18	12815	BUSHING		2	FOR #2 HOUSING - UPPER	A-3713,A-3723,A-4772,A-6064,K-2468
18	8677	BUSHING		1	FOR #2 HOUSING - UPPER	A-3713,A-3723,A-4772,A-6064
19	8677	BUSHING		3	FOR #1 AND #2 HOUSING - LOWER	A-3713,A-3723,A-4772,A-6064
20	X-8C-830	HEX HEAD SCREW/WASHER ASSY	X-8C-826	4	.500-13 X 1.490, USE 2 PCS FOR IRON HOUSING, USE 4 PCS FOR ALUMINUM HOUSING	
20	X-8C-831	HEX HEAD SCREW/WASHER ASSY	X-8C-822	2	.500-13 X 3.460, FOR IRON HOUSING	
22	X-8-686	CAPSCREW		6	3/8"-16X3/4"	
23	14575	PTO COVER	4302254	1		
24	4305309	GASKET	1684	1		K-2199
27	14373	MAGNET		3		S-1520
28	14334	DOWEL		2		
29	X-1-1012	HEX NUT		2	.625-18	
30	X-10-1005	WASHER	X 3 1000 ,X10 1000 ,X10 1004	2	1.23 X 6.60	
31	14554	STUD	1632 ,6579	2	5/8" X 2-3/16"	
36	23104	PLUG	1712	2		
37	X-8-1005	CAPSCREW		2	5/8"-11X1-1/4"	
38	20814	SPACER		2		
39	X-12-802	PIPE PLUG	X12 800	1	1/2"	
40	12581	OIL SEAL		1	USE W/15113 COVER ONLY	
41	16976	SEAL		1	1-3/4"	
41	16977	SEAL		1	2"	



10442-4/92 Aux CS

**COUNTERSHAFT & BRGS(AUX)**

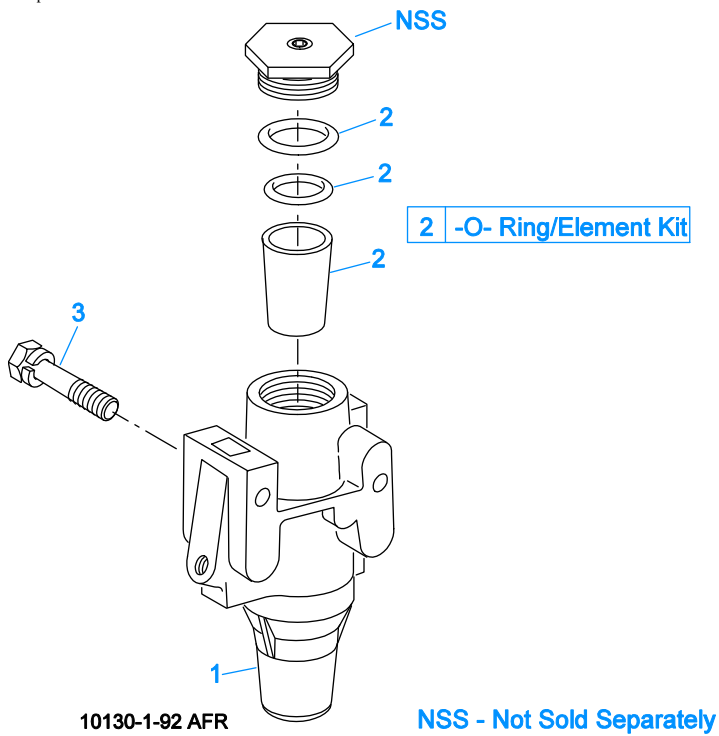
Item	Current Part	Description	Replaced Part	Qty.	Notes	Kits/Assys Where Needed
1	8879	BEARING		2		K-2283,K-2345,K-2761
2	A-4980	WELDED COUNTERSHAFT ASSY		2	D/G 19276 - C/S 20473	
3	81052	BEARING	81008	2		K-2283,K-2345,K-2761
4	16723	SNAP RING		2		K-1790,K-2283,K-2345,K-2761



## COUNTERSHAFT ASSY

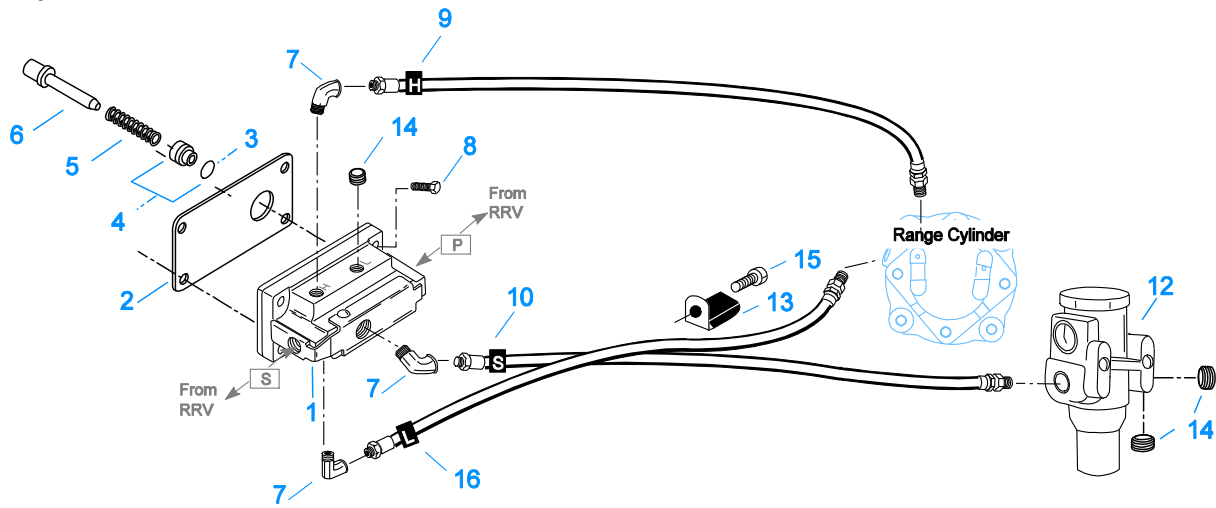
Item	Current Part	Description	Replaced Part	Qty.	Notes	Kits/Assys Where Needed
1	20461	DRIVE GEAR-CNTRSHFT	19643 ,19645 ,20378	2		
2	15953	PTO GEAR - LOWER		1		
2	16390	NO LONGER AVAILABLE		2	OPTIONAL IF PTO GEARS ARE NOT USED	
2	20840	PTO GEAR - UPPER	15952	1		
3	4305661	OD GEAR-CNTRSHFT	19631 ,19633 ,20481 ,4302233,20459	2		
4	20380	3RD GEAR-CNTRSHFT	19627	2		
5	20382	2ND GEAR-CNTRSHFT	19269 ,4302103 ,4303512	2		
6	K-1926	COUNTERSHAFT REPL KIT	20462 ,20463	2		
7	19258	KEY		2		
8	62511	ROLL PIN		4		
9	4304605	RETAINER	19548	2	ROLL PIN NO LONGER REQUIRED	K-2283,K-2345,K-2761
10	X-7-1005	CAPSCREW		2	5/8"-18X1-3/4"	
11	4304599	BEARING	4302677 4304598	2		K-2283,K-2345,K-2761
12	19198	SNAP RING		2		
13	14366	BEARING		2		K-2283,K-2345,K-2761
14	14317	SNAP RING		2		K-1790,K-2283,K-2345,K-2761
16	4304840	KEY	19673	2		K-1926
18	X-6-E	KEY		2		

Group: FILTER REGULATOR



## FILTER REGULATOR

Item	Current Part	Description	Replaced Part	Qty.	Notes	Kits/Assys Where Needed
1	A-4740	FILTER/REGULATOR	19600	1		
2	K-1698	-O- RING/ELEMENT KIT		1	FOR FILTER REGULATOR	
3	X-8C-412	CAPSCREW	X 8S 412	2	1/4"-20X2-1/4"	

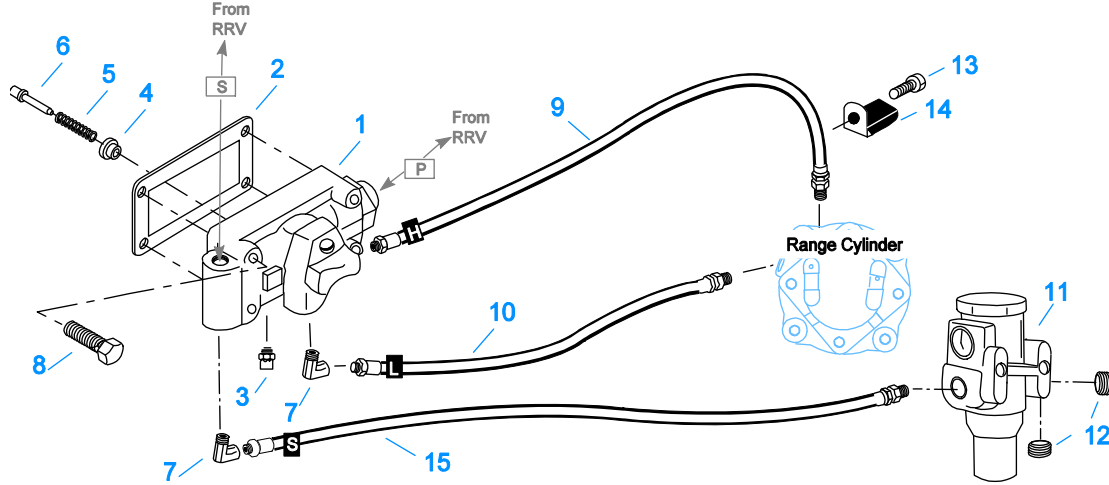


10111E-6/93 19470 HC

### H & C W/19470 VALVE

Item	Current Part	Description	Replaced Part	Qty.	Notes	Kits/Assys Where Needed
1	K-2424	VALVE REPLACEMENT KIT	19470	1		
2	19481	GASKET		1		K-1963,K-2199,K-2424
3	19462	-O- RING	14033	1		A-4688,K-1699,K-1969
4	K-1969	SLEEVE KIT	14362 19460 ,21446	1	FOR SLAVE VALVES	K-1963
5	21268	SPRING	19572	1		K-1963
6	20490	PIN	19459	1		K-1963
7	12845	ELBOW		3	1/8"	K-1963
8	X-8C-401	CAPSCREW		4	1/4"-20X1-1/8"	
9	55522	HOSE ASSY		1	28"	
10	55523	HOSE ASSY		1	29"	
12	A-4740	FILTER/REGULATOR	19600	1		
13	19779	HOSE CLAMP		1		
14	X-12-208	PIPE PLUG		3	1/8" NPT	
15	X-8L-614	CAPSCREW		1	3/8"-16X2"	
16	55526	HOSE ASSY		1	26"	

Group: H & C W/A-4688 VALVE

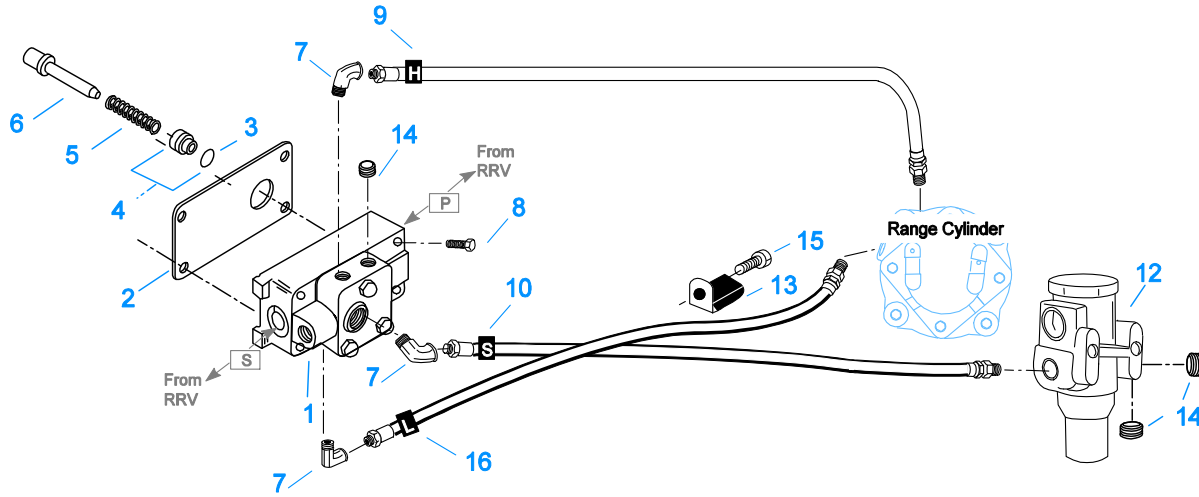


10112A-3-94 A-4688 HC

### H & C W/A-4688 VALVE

Item	Current Part	Description	Replaced Part	Qty.	Notes	Kits/Assys Where Needed
1	A-4688	SLAVE VALVE ASSY	15125 ,19464 ,A - 3991	1		
2	15758	GASKET		1		K-1699,K-2199
3	X2014210	BREATHER	7935	1		
4	K-1969	SLEEVE KIT	14362 19460 ,21446	1	FOR SLAVE VALVES	K-1963
5	6392	SPRING		1		S-1219,S-1527,S-1528,S-1529,S-1531
6	14361	PIN		1		
7	12845	ELBOW		2	1/8"	K-1963
8	X-8L-411	CAPSCREW	X 8 411	4	1/4"-20X1-3/4"	
9	55522	HOSE ASSY		1	28"	
10	55522	HOSE ASSY		1	28"	
11	A-4740	FILTER/REGULATOR	19600	1		
12	X-12-208	PIPE PLUG		2	1/8" NPT	
13	X-8L-614	CAPSCREW		1	3/8"-16X2"	
14	19779	HOSE CLAMP		1		
15	55518	HOSE ASSY		1	32"	

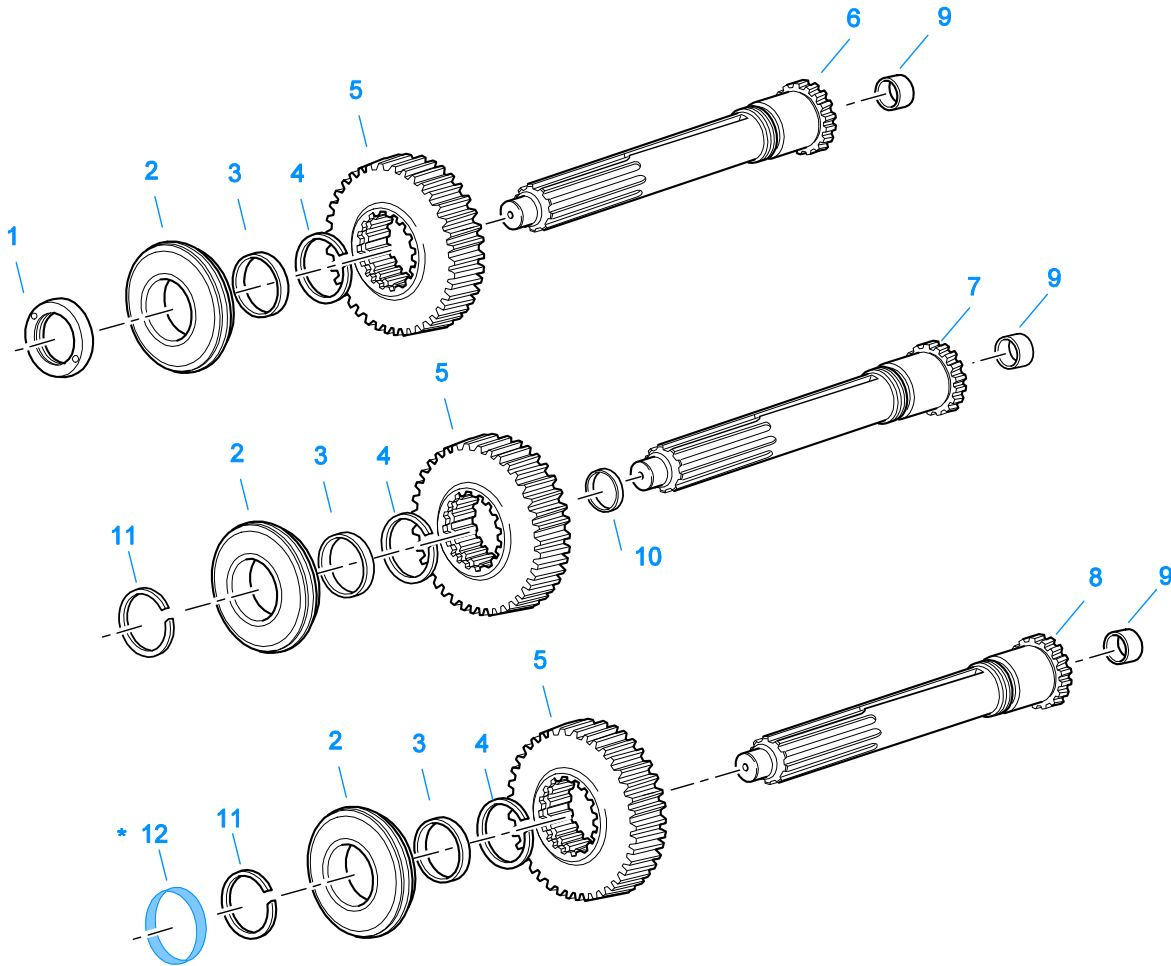
Group: H & C W/A-5000 VALVE



10110E-6-93 A-5000 HC

### H & C W/A-5000 VALVE

Item	Current Part	Description	Replaced Part	Qty.	Notes	Kits/Assys Where Needed
1	A-5000	SLAVE VALVE ASSY	20850	1		K-1963,K-2424
2	19481	GASKET		1		K-1963,K-2199,K-2424
3	19462	-O- RING	14033	1		A-4688,K-1699,K-1969
4	K-1969	SLEEVE KIT	14362 19460 ,21446	1	FOR SLAVE VALVES	K-1963
5	21268	SPRING	19572	1		K-1963
6	20490	PIN	19459	1		K-1963
7	12845	ELBOW		3	1/8"	K-1963
8	X-8C-411	CAPSCREW		4	1/4"-20X1-3/4"	
9	55522	HOSE ASSY		1	28"	
10	55523	HOSE ASSY		1	29"	
12	A-4740	FILTER/REGULATOR	19600	1		
13	19779	HOSE CLAMP		1		
14	X-12-208	PIPE PLUG		3	1/8" NPT	
15	X-8L-614	CAPSCREW		1	3/8"-16X2"	
16	55524	HOSE ASSY		1	27"	



10372-5/93 IS (3)

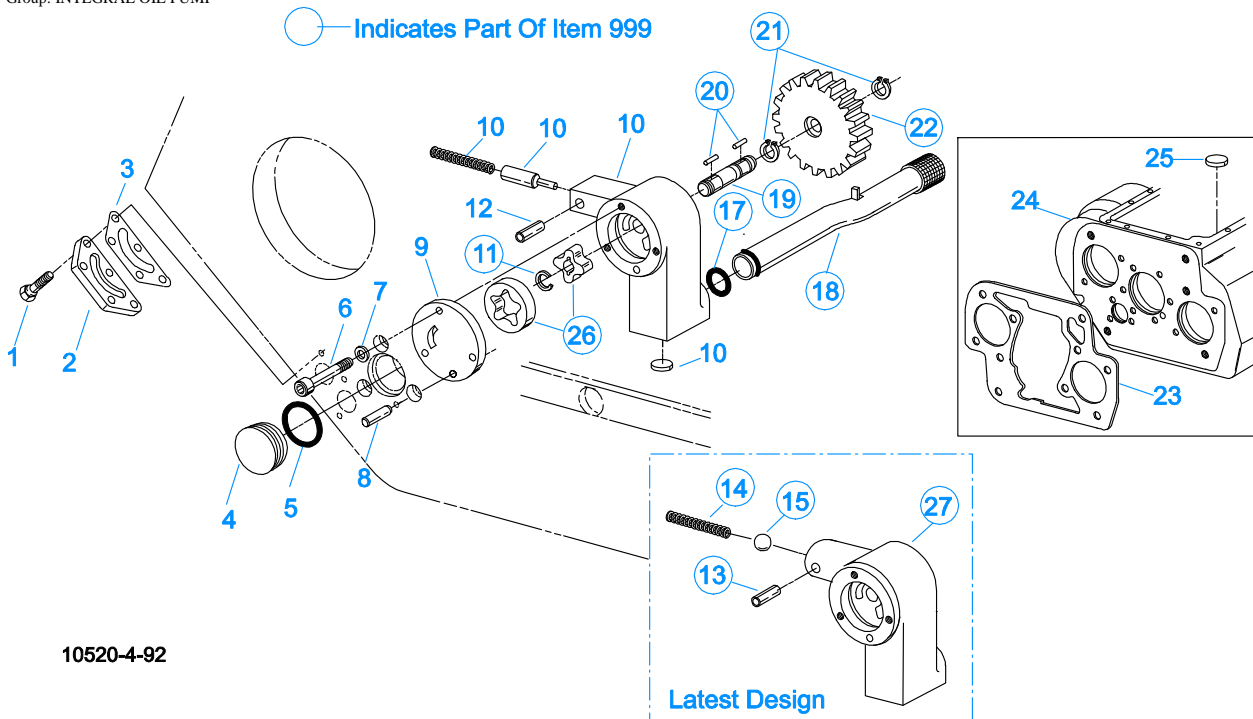
\* For Shipping Only -- Do Not Replace

### INPUT SHAFT & DRIVE GEAR

Item	Current Part	Description	Replaced Part	Qty.	Notes	Kits/Assys Where Needed
1	11466	NUT		1	PUSH - USE W/19716 SHAFT	
1	8858	NUT		1	PUSH	
1	8997	NUT		1	PULL	
2	81504	BEARING		1		K-2283,K-2345,K-2468,K-2761,K-4125
3	16463	SPACER		1		
4	14750	SNAP RING		1		K-1790,K-2283,K-2345,K-2468,K-2761,K-4125
5	20460	MAIN DRIVE GEAR	19642	1	USE W/16118 SL CLUTCH AND 14749 SPACER	
5	22025	MAIN DRIVE GEAR	21515,22029	1	USE W/22026 SL CLUTCH AND 22032 SPACER	
6	19714	NO LONGER AVAILABLE		1	1-3/4" PUSH - USE W/FBC 14370	
6	S-1128	INPUT SHAFT	16465	1	2" PULL - USE W/FBC 15111	
6	S-1129	INPUT SHAFT	16466	1	2" PUSH - USE W/FBC 14994	
6	S-1406	INPUT SHAFT	19316	1	1-3/4" PULL - USE W/FBC 14267	
7	S-1409	INPUT SHAFT	18837	1	2" PULL W/SEAL - USE W/FBC 18699	
8	S-1498	INPUT SHAFT	20532	1	1-3/4" PUSH - USE W/FBC 20551	
8	S-1504	INPUT SHAFT	20538	1	1-3/4" PULL - USE W/FBC 20552	
8	S-1659	INPUT SHAFT	20535 23566 4302661	1	2" PULL - USE W/FBC 20550	K-2468,K-2761,K-4125
8	S-1660	INPUT SHAFT	20536 ,23567	1	2" PUSH - USE W/FBC 20549	



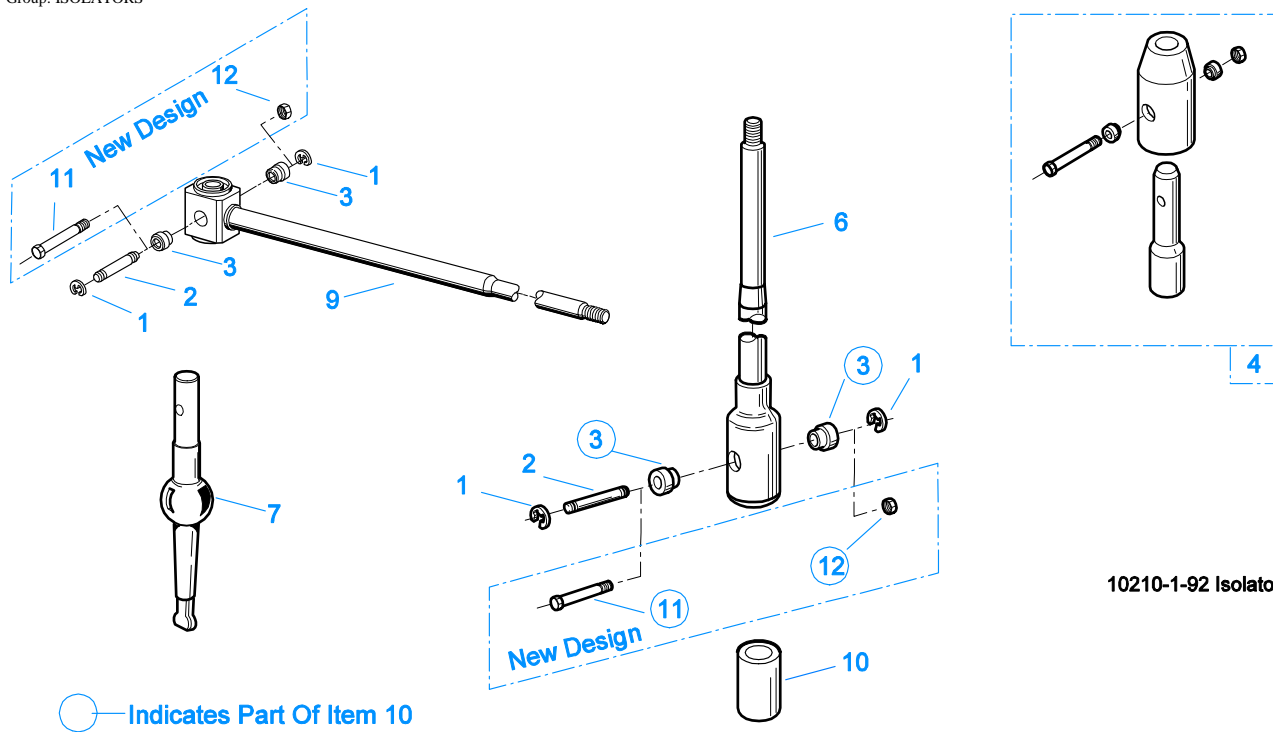
Item	Current Part	Description	Replaced Part	Qty.	Notes	Kits/Assys Where Needed
9	16566	BUSHING		1		K-2283,S-1128,S-1129,S-1406,S-1409,S-1498,S-1504,S-1659,S-1660
10	16978	SLEEVE		1	2" W/SEAL	S-1409
11	16980	SNAP RING		1		K-2345,K-2468,K-2761,K-4125
12	23559	SHIPPING SEAL		1	NOT SOLD FOR SERVICE	



## INTEGRAL OIL PUMP

Item	Current Part	Description	Replaced Part	Qty.	Notes	Kits/Assys Where Needed
1	X-8C-409	CAPSCREW		5	1/4"-20X5/8" - USE WITH 4300751 COVER	
1	X-8C-430	CAPSCREW		5	1/4"-20X7/8" - USE WITH 20513 COVER	
2	K-2402	COVER & SCREW KIT	20513 ,4300751	1		K-2402
3	20514	GASKET		1		
4	20823	PLUG		1		
5	14765	-O- RING		1		K-1431,K-1450
6	X-8-448	SCREW	X 8 445	3	1/4"-20X1-1/4"	
7	20824	WASHER		3		K-3367
8	20825	DOWEL PIN		1		
9	4303107	RETAINER	20510	1		S-1520
10	K-3367	OIL PUMP KIT	4301829 ,4301948 ,4303776 ,4304529 ,4304572 A - 6963 ,A - 7173	1		
11	20518	CRESCENT RING		1		
12	62516	ROLL PIN	62521	1		
13	62514	ROLL PIN		1		
14	K-3367	OIL PUMP KIT	4301829 ,4301948 ,4303776 ,4304529 ,4304572 A - 6963 ,A - 7173	1		
15	X-14-700	STEEL BALL		1	7/16"	
17	20225	-O- RING		1		
18	4305713	SUCTION TUBE	4304628	1	O-RING INCLUDED ON SUCTION TUBE	K-3367
19	20508	DRIVE SHAFT		1		
20	20509	KEY		2		
21	14853	SNAP RING		2		
22	20511	DRIVE GEAR		1		
23	4306584	CLUTCH HOUSING GASKET	4304815,4305668	1		K-2199
24	S-1520	CASE ASSY	20501	1	FOR USE W/INTEGRAL PUMP	
25	14373	MAGNET		3		S-1520
26	20507	ELEMENT		1		
27	K-3367	OIL PUMP KIT	4301829 ,4301948 ,4303776 ,4304529 ,4304572 A - 6963 ,A -	1		

Item	Current Part	Description	Replaced Part	Qty.	Notes	Kits/Assys Where Needed
999	K-3367	OIL PUMP KIT	7173 4301829 ,4301948 .4303776 ,4304529 .4304572 A - 6963 ,A - 7173	1		



10210-1-92 Isolator

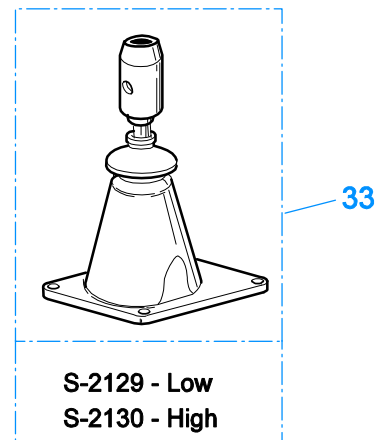
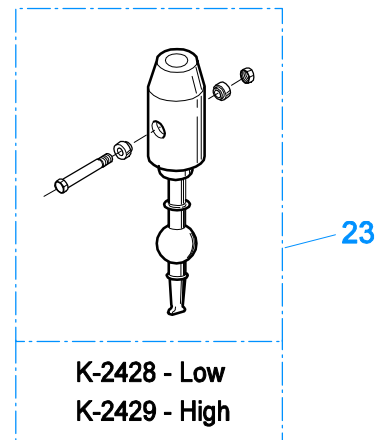
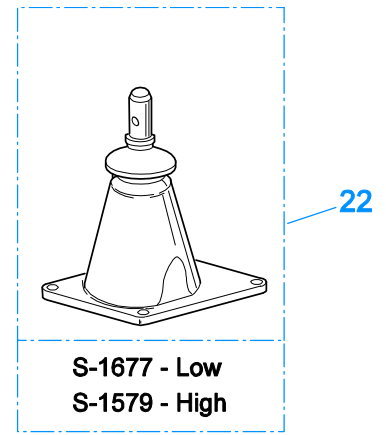
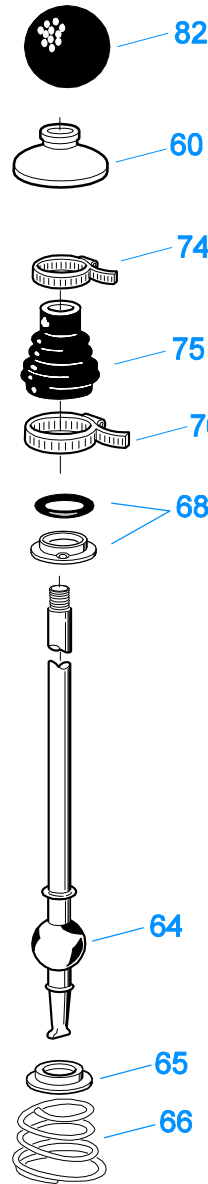
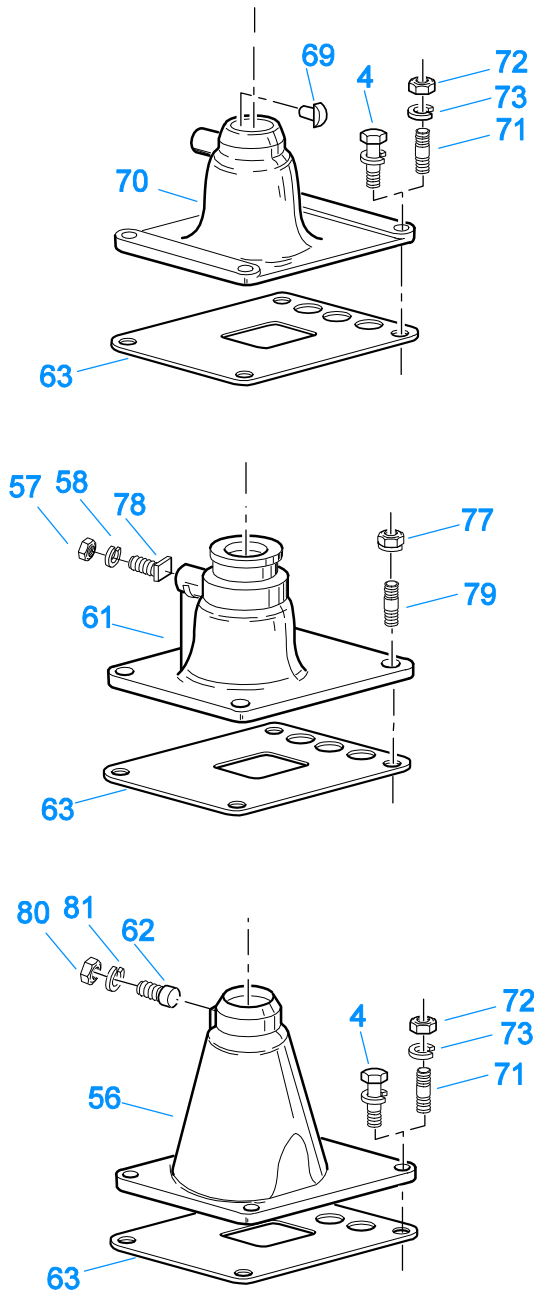
## ISOLATORS

Item	Current Part	Description	Replaced Part	Qty.	Notes	Kits/Assys Where Needed
1	19124	-E- RING		2		
2	K-3467	PIN REPLACEMENT KIT	21245	1		
3	21246	BUSHING		2		K-2003,K-2428,K-2429,K-3399,S-2129,S-2130
4	S-1794	ISOLATOR ASSY		1		
6	21247	LEVER		1	STRAIGHT 18.67"	
7	21235	STUB LEVER		1	LOW TOWER	K-2428,S-1677
7	21236	STUB LEVER		1	HIGH TOWER	K-2429,S-1579,S-2130
9	21767	90 DEG LEVER		1	STRAIGHT 33"	
10	K-3399	ISOLATOR BUSHING KIT	21244 ,23311	1		
11	X-8-560	SCREW		1		
12	X-9-503	NUT		1		

## KITS & ASSEMBLIES

Item	Current Part	Description	Replaced Part	Qty.	Notes	Kits/Assys Where Needed
K-1431		RANGE CYL-KIT		1		
K-1450		-O- RING KIT-RANGE		1		
K-1476		SHIFT LEVER HSG	4530 ,17163 ,18298 ,4304905 ,A - 4437	1	LOW TOWER	
K-1566		VALVE REPAIR KIT		1	FOR A-3546 VALVE	
K-1603		GASKET KIT		1	FOR AUXILIARY SECTION	
K-1613		CAP REPLACEMENT KIT	16429 ,18707	1	FOR A-4688 VALVE	
K-1631		SHIFT LEVER HSG	14456 ,17168 ,4304327	1	LOW	
K-1698		-O- RING/ELEMENT KIT		1	FOR FILTER REGULATOR	
K-1699		REPAIR KIT-SLAVE VALVE		1	FOR A-4688 VALVE	
K-1700		OIL COOLER KIT		1		
K-1704		PUMP INSTALLATION KIT		1		
K-1790		SMALL PARTS KIT		1		
K-1921		MASTER VALVE REPAIR KIT		1	FOR A-6909 & A-5010 VALVES	
K-1926		COUNTERSHAFT REPL KIT	20462 ,20463	1		
K-1935		REPAIR KIT-SLAVE VALVE		1	FOR A-5000 VALVE	
K-1956		COOLER INSTLN KIT		1		
K-1963		VALVE CONVERSION KIT		1	CONVERT A-4688 TO A-5000 VALVE	
K-1969		SLEEVE KIT	14362 19460 ,21446	1	FOR SLAVE VALVES	K-1963
K-2003		PIN & BUSHING KIT		1		
K-2010		VALVE CONVERSION KIT		1	FOR A-5010 VALVE	
K-2199		GASKET KIT		1		K-2283,K-2345,K-2761
K-2256		OIL SEAL KIT	14337 ,19109 ,21036	1		
K-2262		OIL SEAL W/SLINGER	19109 ,20807 ,20808	1	"FOR MECHANICAL COVER"	
K-2283		BASIC REBUILD KIT		1		
K-2311		REPL KIT-DRIVE GEAR	19275 ,4300466	1		
K-2345		BASIC OVERHAUL KIT		1	1-3/4" PULL TYPE	
K-2394		AIR SYSTEMS TOOL KIT		1		
K-2424		VALVE REPLACEMENT KIT	19470	1		
K-2428		LEVER REPLACEMENT KIT		1	LOW TOWER	
K-2429		LEVER REPLACEMENT KIT		1	HIGH TOWER	
K-2439		KEY & WASHER KIT		1	CONTAINS 3-SIDED KEY	
K-2468		CLUTCH INSTALLATION KIT		1	FOR USE WITH S-1659 INPUT SHAFT ASSY AND 81504 INPUT SHAFT BEARING	
K-2761		BASIC OVERHAUL KIT	K - 1742 ,K - 1974	1	2" PULL TYPE	
K-2966		RETAINER KIT	19668 ,A - 4729	1	RT/RTF	
K-2973		SHIFT LEVER HSG KIT	17166 ,17167 ,4303050 ,4304910 ,K - 1630 K - 1941	1	HIGH TOWER	
K-3152		WASHER UPDATE KIT		1	RTO/RTX/F-12610	
K-3153		WASHER UPDATE KIT		1	RT/F-12610	
K-3218		IDLER SHAFT REPL KIT	4302981	1		
K-3367		OIL PUMP KIT	4301829 ,4301948 ,4303776 ,4304529 ,4304572 A - 6963 ,A - 7173	1		
K-3399		ISOLATOR BUSHING KIT	21244 ,23311	1		
K-3467		PIN REPLACEMENT KIT	21245	1		
K-3491		SYNCHRONIZER KIT	K - 2445	1	LO RANGE / SMALL PIN	
K-3492		SYNCHRONIZER KIT	K - 2446	1	LO RANGE / LARGE PIN	
K-3494		SYNCHRONIZER REPLACEMENT KIT	K - 2448	1	SLIDING CLUTCH INCLUDED IN KIT	
K-3651		OIL SEAL TOOL KIT		1		
K-4125		CLUTCH INSTALLATION KIT (RT), HYDRAULIC RELEASE		1	STANDARD RT INPUT SHAFT AND YOKE FOR HYDRAULIC CLUTCH RELEASE	
S-1128		INPUT SHAFT	16465	1	2" PULL	
S-1129		INPUT SHAFT	16466	1	2" PUSH	
S-1219		YOKE ASSY LOW-REV		1		

Item	Current Part	Description	Replaced Part	Qty.	Notes	Kits/Assys Where Needed
S-1341		MAINSHAFT ASSY	16761 ,18729	1		
S-1404		OIL FILTER	17238	1		
S-1406		INPUT SHAFT	19316	1	1-3/4" PULL	
S-1409		INPUT SHAFT	18837	1	2" PULL W/SEAL	
S-1440		SHIFT BAR HSG (STD)	15890 ,15928 ,16913 ,17115 ,17180 17182 ,17428 ,18571 ,18640 ,18644 18840 ,18847 ,19448 ,19449 ,19453 19454 ,19455 ,19605 ,20074 ,20210 20211 ,21133 ,22955 ,S - 1360 ,S - 1364 S - 1376 ,S - 1377	1	HOUSING ONLY	
S-1441		SHIFT BAR HSG (F)	15891 ,16340 ,16564 ,17114 ,17128 17181 ,17218 ,17492 ,17577 ,17900 18203 ,18436 ,18642 ,18646 ,18886 19159 ,19450 ,19451 ,19456 ,19457 19458 ,19717 ,19956 ,20072 ,20212 20213 ,21134 ,22956 ,S - 1106 ,S - 1361 S - 1370 ,S - 1374 ,S - 1375 ,S - 1378	1	HOUSING ONLY	
S-1445		SHIFT BAR HSG (X)	18920 ,20135 ,20214 ,20215 ,20487 21135	1	HOUSING ONLY (X)	
S-1446		SHIFT BAR HSG (XF)	18925 ,20136 ,20216 ,20217 ,20488 21136 ,S - 1361	1	HOUSING ONLY (XF)	
S-1498		INPUT SHAFT	20532	1	1-3/4" PUSH	
S-1504		INPUT SHAFT	20538	1	1-3/4" PULL	
S-1516		CAP ASSY	20851 ,20853	1	FOR A-5000 VALVE	
S-1520		CASE ASSY	20501	1	FOR USE W/INTEGRAL PUMP	
S-1527		SHIFT BAR HSG ASSY (X)	20215 ,21135	1	COMPLETE (X)	
S-1528		SHIFT BAR HSG ASSY (XF)	20217 ,21136	1	COMPLETE (XF)	
S-1529		SHIFT BAR HSG ASSY (F)	20213 ,22956	1	COMPLETE	
S-1531		SHIFT BAR HSG ASSY (STD)	20211 ,22955	1	COMPLETE	
S-1659		INPUT SHAFT	20535 23566 4302661	1	2" PULL	K-2468,K-2761,K-4125
S-1660		INPUT SHAFT	20536 ,23567	1	2" PUSH	
S-1794		ISOLATOR ASSY		1		
S-2129		SHIFT LEVER HSG ASSY		1	LOW TOWER	
S-2130		SHIFT LEVER HSG ASSY	S - 2053	1	HIGH TOWER	
S-2136		REAR BRG COVER ASSY	21950 ,22040 ,22041 ,22042 ,4302006 4302007 ,S - 1563	1	EXTENDED	
S-2149		REAR BRG COVER ASSY	20208 ,21062	1		
S-2543		ROADRANGER VALVE ASSY	A - 5043	1	RT - W/SHIFT DIAGRAM MEDALLION	
S-2544		ROADRANGER VALVE ASSY	A - 5045	1	RTO - W/SHIFT DIAGRAM MEDALLION	



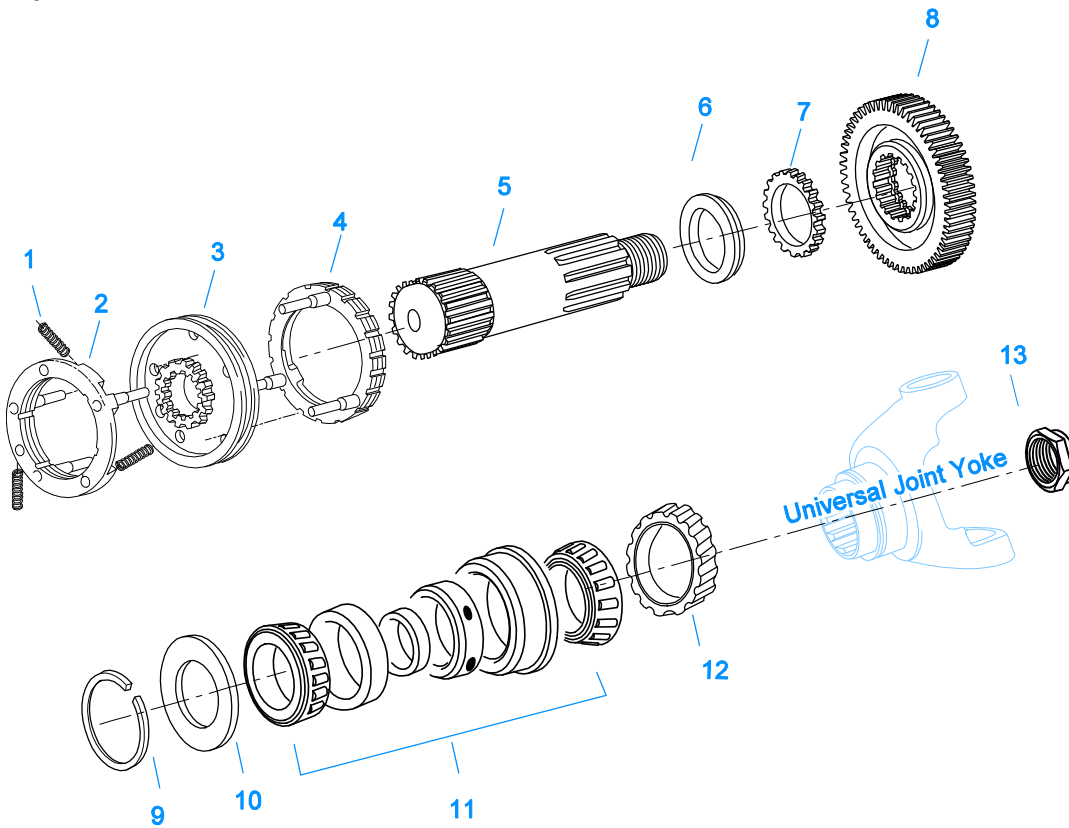
10203-6-94

## LEVERS/HOUSINGS

Item	Current Part	Description	Replaced Part	Qty.	Notes	Kits/Assys Where Needed
4	X-8C-604	CAPSCREW		4	3/8"-16X1-1/4"	S-1445,S-1446,S-1527,S-1528,S-1529,S-1531
23	K-2428	LEVER REPLACEMENT KIT		1	LOW TOWER	
23	K-2429	LEVER REPLACEMENT KIT		1	HIGH TOWER	
24	S-1579	SHIFT TOWER ASSY		1	HIGH TOWER	
24	S-1677	SHIFT TOWER ASSY		1	LOW TOWER	
33	S-2129	SHIFT LEVER HSG ASSY		1	LOW TOWER	

Item	Current Part	Description	Replaced Part	Qty.	Notes	Kits/Assys Where Needed
33	S-2130	SHIFT LEVER HSG ASSY	S - 2053	1	HIGH TOWER	
56	K-2973	SHIFT LEVER HSG KIT	17166 ,17167 ,4303050 ,4304910 ,K - 1630 K - 1941	1	HIGH TOWER	
57	X-1-500	NUT		1	5/16"-24	
58	X-3-500	LOCKWASHER		1	5/16"	
60	10427	BOOT		1		K-1476,K-2973,S- 1579,S-1677,S-2130
61	K-1631	SHIFT LEVER HSG	14456 ,17168 ,4304327	1	LOW, USE W/14795 BOOT	
62	6541	PIN		1	3/8"	
63	4305294	GASKET	4303431	1		K-1476,K-1631,K- 1700,K-2199,K- 2428,K-2429,K-2973,S- 1527,S-1528,S-1529,S- 1531,S-1579,S-1677,S- 2129,S-2130
64	17600	GEAR SHIFT LEVER		1	STRAIGHT - LOW 21-1/2"	
64	18482	GEAR SHIFT LEVER		1	STRAIGHT - HIGH 35"	
65	2538	RETAINER		1		K-1476,K-2973,S- 1579,S-1677,S-2130
66	2536	SPRING		1		K-1476,K-2973,S- 1579,S-1677,S-2130
68	K-3376	O-RING & WASHER KIT	4301211	1		
69	18299	PIN		1		K-1476,S-1677
70	K-1476	SHIFT LEVER HSG	4530 ,17163 ,18298 ,4304905 ,A - 4437	1	LOW TOWER	
71	11934	STUD	7467	4		
72	X-1-600	NUT		4	3/8"-24-N.F.PLAIN	
73	X-3-600	LOCKWASHER		4	3/8"	
74	14453	CLAMP		1		
75	14795	BOOT		1		
76	14454	CLAMP		1		
77	X-1-604	NUT		4	3/8"-24	
78	14461	PIN		1		
79	14236	NO LONGER AVAILABLE		4		
80	X-1-600	NUT		1	3/8"-24-N.F.PLAIN	
81	X-3-600	LOCKWASHER		1	3/8"	
82	17560	LEVER GRIP		1	1/2"-13	

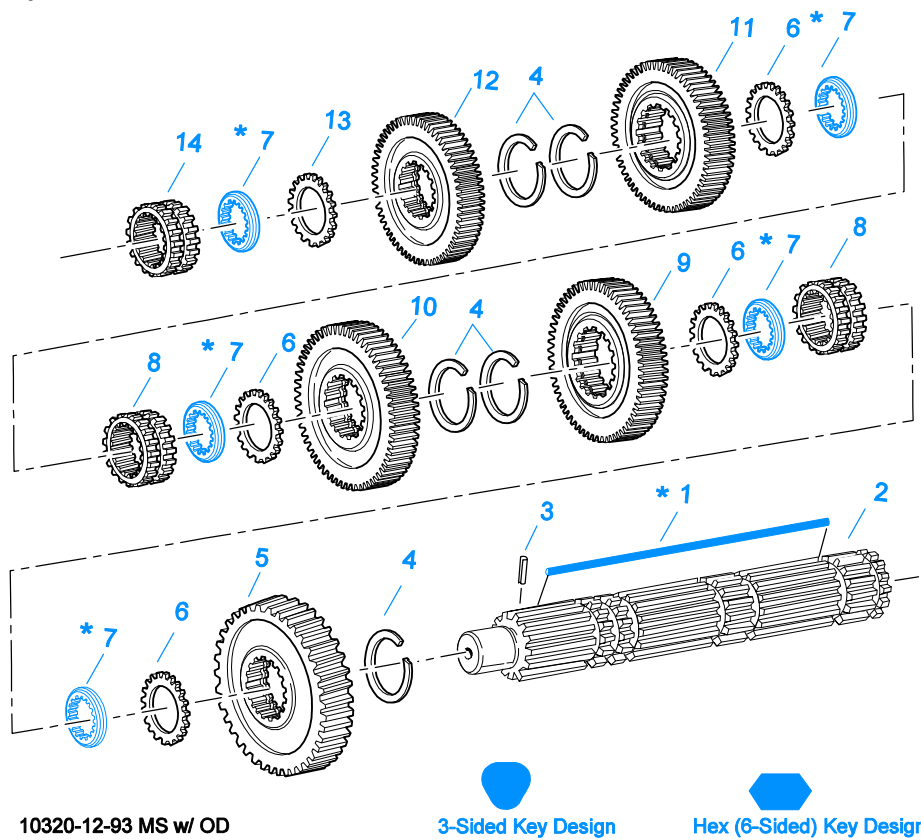




10424-3/93 Aux MS

**MAINSHAFT & SYNCHRO(AUX)**

Item	Current Part	Description	Replaced Part	Qty.	Notes	Kits/Assys Where Needed
1	14897	SPRING		3		K-1790,K-2283,K-2345,K-2761,K-3491,K-3492,K-3494
2	A-7331	SYNCHRONIZER ASSY	4304396 4304397 A - 5917	1	HI RANGE	K-3491,K-3492,K-3494
3	20323	SLIDING CLUTCH		1	USE W/A-4937 OR A-5876	K-3494
4	A-6153	SYNCHRONIZER ASSY	A - 4416	1	LO RANGE - SMALL PIN	K-3491
4	A-7254	SYNCHRONIZER ASSEMBLY	A - 4937 A - 5876	1	LO RANGE - LARGE PIN	K-3492,K-3494
5	20472	MAINSHAFT		1		
6	14332	WASHER		1		K-1790
7	14331	WASHER		1		K-1790
8	4300318	REDUCTION GEAR	20475	1		
9	14327	SNAP RING		1		K-1790
10	19466	WASHER		1		K-1790
11	14367	BEARING		1		K-2283,K-2345,K-2761
12	20192	ROTOR		1		
13	22254	NUT	11956	1		



10320-12-93 MS w/ OD

3-Sided Key Design

Hex (6-Sided) Key Design

**\* Updating to 3-Sided Key is Recommended.**

**When Updating to 3-Sided Key Replace all Washers to Match Key Design**

**Always Use Matching Key and Washer Sets (See Appendix - Mainshaft Washers)**

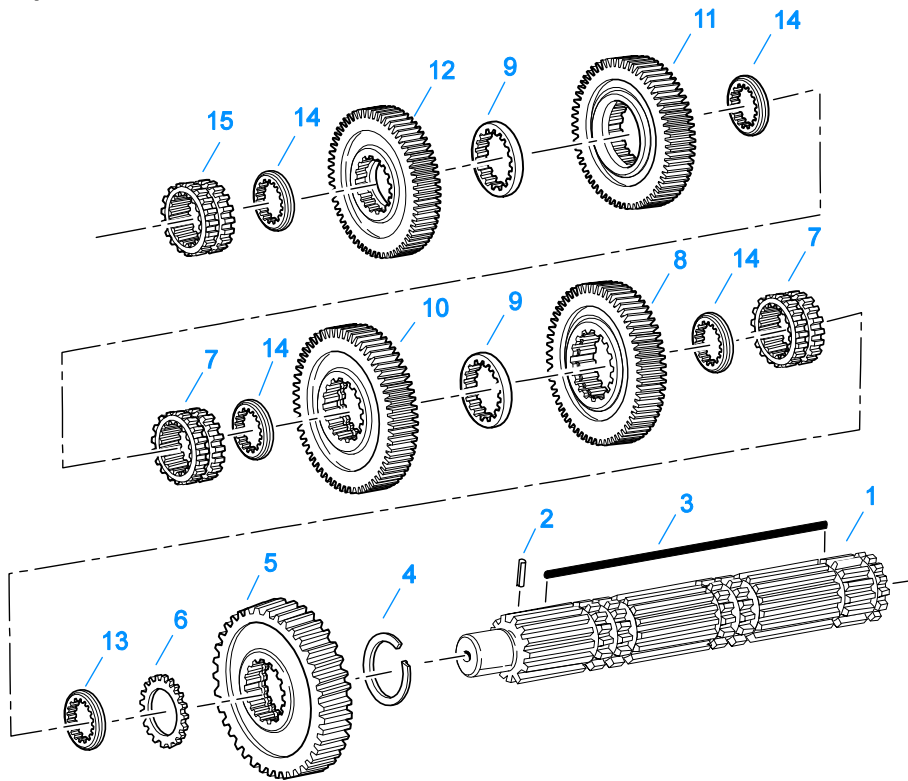
## MAINSHAFT ASSY

Item	Current Part	Description	Replaced Part	Qty.	Notes	Kits/Assys Where Needed
1	17109	HEX (6-SIDED) KEY		1	MUST USE MATCHING WASHERS	
1	4304615	3-SIDED KEY	4300120	1		K-2439
1	K-2439	KEY & WASHER KIT		1	CONTAINS 3-SIDED KEY	
2	S-1341	MAINSHAFT ASSY	16761 ,18729	1		
3	62504	ROLL PIN		1		S-1341,S-2688
4	14750	SNAP RING		5		K-1790,K-2283,K-2345,K-2468,K-2761,K-4125
5	16949	REVERSE GEAR-MAINSHAFT		1		
6	14749	SPACER		4		K-1790
7	14711	WASHER .248-.250 WHITE	18701	5	OPTIONAL 14711-14716 USE ANY 5 WASHERS USE WITH 17109 KEY	K-1790
7	14712	WASHER .253-.255 GREEN	18702	5	OPTIONAL 14711-14716 USE ANY 5 WASHERS USE WITH 17109 KEY	K-1790
7	14713	WASHER .258-.260 ORANGE	18703	5	OPTIONAL 14711-14716 USE ANY 5 WASHERS USE WITH 17109 KEY	K-1790
7	14714	WASHER .263-.265 PURPLE	18704	5	OPTIONAL 14711-14716 USE ANY 5 WASHERS USE WITH 17109 KEY	
7	14715	WASHER .268-.270 YELLOW	18705	5	OPTIONAL 14711-14716 USE ANY 5 WASHERS USE WITH 17109 KEY	
7	14716	WASHER .273-.275 BLACK	18706	5	OPTIONAL 14711-14716 USE ANY 5 WASHERS USE WITH 17109 KEY	
7	4300382	WASHER .249-WHITE		5		K-2439
7	4300383	WASHER .254-GREEN		5	OPTIONAL 4300382-4300387 OR 4300830 USE ANY 5 WASHERS. USE	K-2439

Item	Current Part	Description	Replaced Part	Qty.	Notes	Kits/Assys Where Needed
7	4300384	WASHER .259-ORANGE		5	WITH 3-SIDED KEY OPTIONAL 4300382-4300387 OR 4300830 USE ANY 5 WASHERS. USE WITH 3-SIDED KEY	K-2439
7	4300385	WASHER .264-PURPLE		5	OPTIONAL 4300382-4300387 OR 4300830 USE ANY 5 WASHERS. USE WITH 3-SIDED KEY	
7	4300386	WASHER .269-YELLOW		5	OPTIONAL 4300382-4300387 OR 4300830 USE ANY 5 WASHERS. USE WITH 3-SIDED KEY	
7	4300387	WASHER .274-BLACK		5	OPTIONAL 4300382-4300387 OR 4300830 USE ANY 5 WASHERS. USE WITH 3-SIDED KEY	
7	4300830	WASHER .244-BLUE		5		K-2439
8	16118	SLIDING CLUTCH		2		K-2345,K-2761
9	20383	1ST GEAR-MAINSHAFT	19616	1		
10	20381	2ND GEAR-MAINSHAFT	19268 ,4302104	1		
11	20379	3RD GEAR-MAINSHAFT	19626	1		
12	19632	OD GEAR-MAINSHAFT		1	USE W/16118 SL CLUTCH AND 14749 SPACER	
12	4302088	OD GEAR-MAINSHAFT	22027 ,22031	1	USE W/22026 SL CLUTCH AND 22032 SPACER	
13	14749	SPACER		1	USE W/16118 SL CLUTCH AND 19632 OD GEAR	K-1790
13	22032	SPACER		1	USE W/22026 SL CLUTCH AND 22027 OD GEAR	
14	16118	SLIDING CLUTCH		1	USE W/14749 SPACER AND 19632 OD GEAR	K-2345,K-2761
14	4304317	SLIDING CLUTCH	22026	1	USE W/22032 SPACER AND 22027 OD GEAR	

## MISCELLANEOUS

Item	Current Part	Description	Replaced Part	Qty.	Notes	Kits/Assys Where Needed
20400		SHIFT DIAGRAM LABEL	19301	1	RT-RTX	
20401		SHIFT DIAGRAM LABEL	19302 ,88536	1	RTO	
21075		WARNING LABEL		1		
71203		SILICONE LUBE		1	8 OZ (236.59 CC)-FLEET SIZE	
71204		ADHESIVE SEALANT		1	0.5 CC (SINGLE APPLICATION SIZE)	
71205		SEALANT		1	2 CC (SINGLE APPLICATION SIZE)	K-1700,K-2345,K-2761
71206		SILICONE LUBE		1	4 CC (SINGLE APPLICATION SIZE)	K-1431,K-1450,K-1566,K-1699,K-2428,K-2429

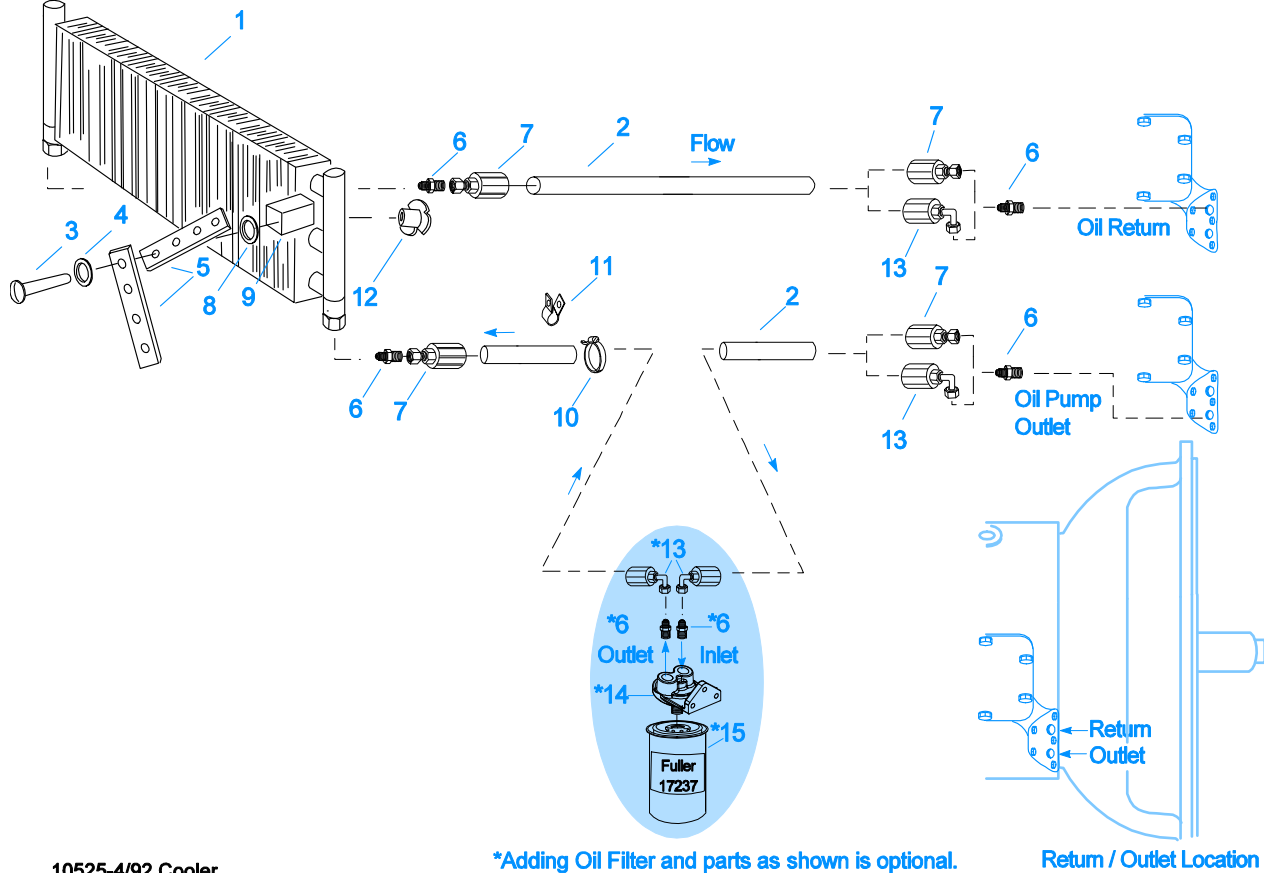


10337B-10-96

### NON-SELECTIVE M/S ASSY

Item	Current Part	Description	Replaced Part	Qty.	Notes	Kits/Assys Where Needed
1	S-2688	MAINSHAFT ASSY	4303404 4303913	1		K-3152,K-3153
2	62504	ROLL PIN		1		S-1341,S-2688
3	4304614	3-SIDED KEY	4300890	1		K-3152,K-3153
4	14750	SNAP RING		1		K-1790,K-2283,K-2345,K-2468,K-2761,K-4125
5	16949	REVERSE GEAR-MAINSHAFT		1		
6	14749	SPACER		1		K-1790
7	16118	SLIDING CLUTCH		2		K-2345,K-2761
8	4303429	1ST GEAR-MAINSHAFT		1		K-3152,K-3153
9	4303603	WASHER	4302397	2		K-3152,K-3153
10	4303428	2ND GEAR-MAINSHAFT	4303411	1		K-3152
11	4302484	3RD GEAR-MAINSHAFT	4302483	1		K-3152,K-3153
12	4302381	OD GEAR-MAINSHAFT	4302382 4302383	1		K-3152
13	4300830	WASHER .244-BLUE		1		K-2439
14	4302398	WASHER		4		K-3152,K-3153
15	4304317	SLIDING CLUTCH	22026	1		

Group: OIL COOLER



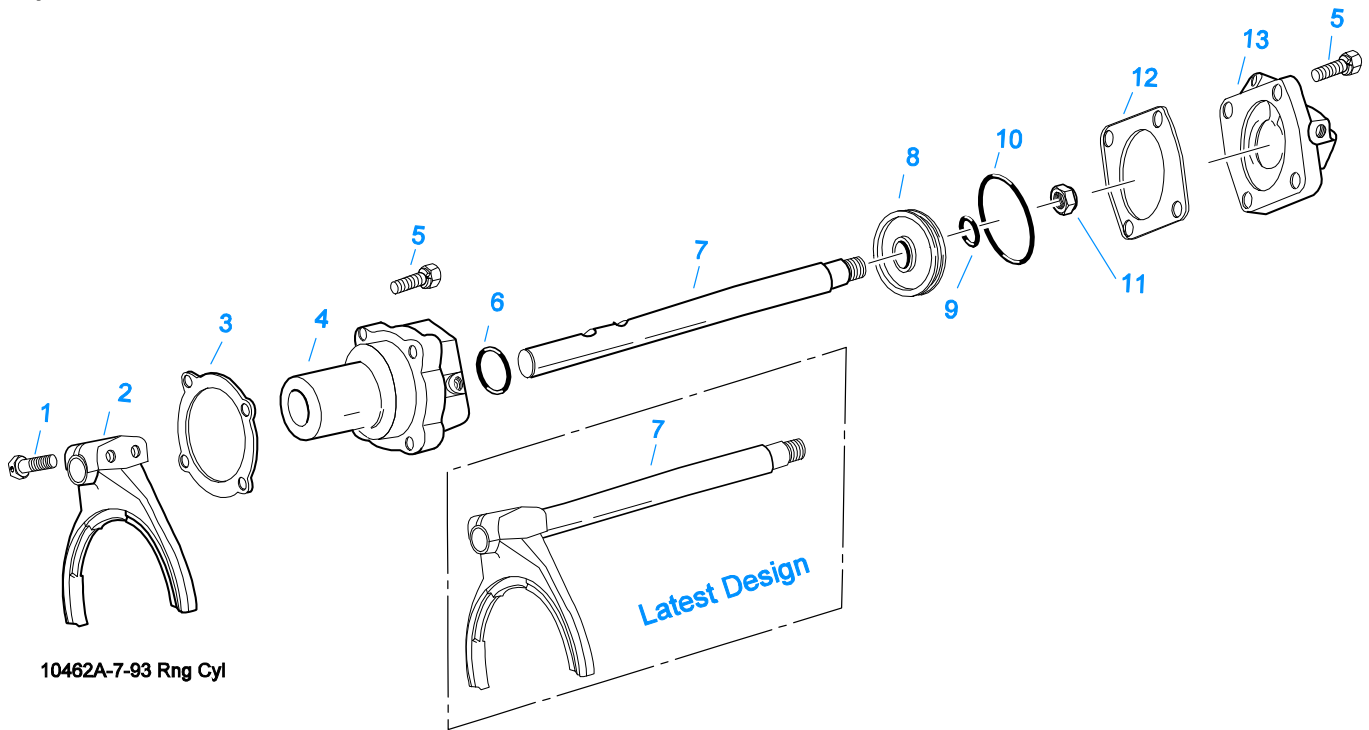
10525-4/92 Cooler

\*Adding Oil Filter and parts as shown is optional.

Return / Outlet Location

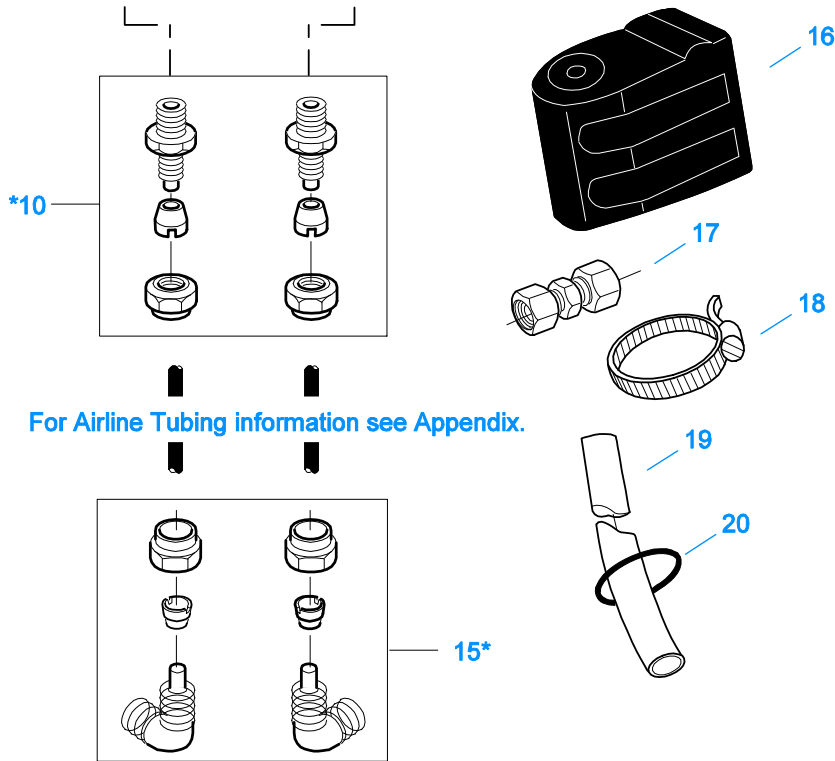
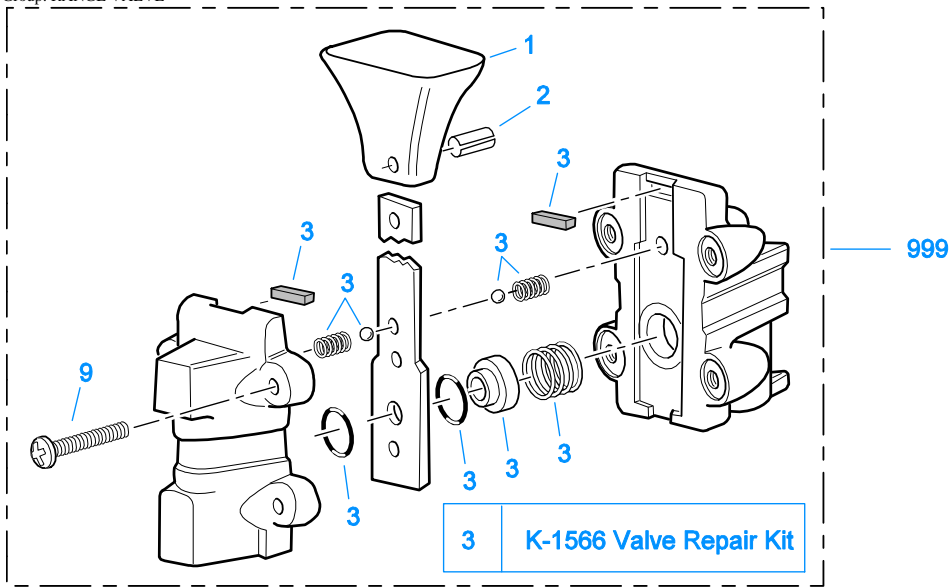
## OIL COOLER

Item	Current Part	Description	Replaced Part	Qty.	Notes	Kits/Assys Where Needed
1	18025	OIL COOLER		1		K-1700,K-1956
2	19424	HOSE		1	25 FEET	K-1700,K-1956
3	X-8-535	CAPSCREW		2	5/16"-16X2-1/2"	
4	X-3-506	LOCKWASHER		2	5/16"	
5	18211	BRACKET		4		K-1700,K-1956
6	19419	CONNECTOR		6		K-1700,K-1956,S-1404
7	19415	SWIVEL		4		K-1700,K-1956
8	X-10-501	WASHER		2	5/16"	
9	18209	PLUG-RUBBER MOUNT		2		K-1700,K-1956
10	17190	STRAP		8		K-1700,K-1956
11	19423	CLAMP		5		K-1700,K-1956
12	18210	NUT		2		K-1700,K-1956
13	19422	ELBOW		4		K-1956
14	S-1404	OIL FILTER	17238	1		
15	17237	FILTER ELEMENT		1		S-1404



## RANGE CYLINDER

Item	Current Part	Description	Replaced Part	Qty.	Notes	Kits/Assys Where Needed
1	X-7-809	BOLT	X 7 810 ,X 7 811	2	1/2"-20X1-3/4"	
2	22823	SHIFT YOKE	16775	1		
3	14347	GASKET		1		K-1431,K-1603,K-2199
4	16778	AUXILIARY CYLINDER		1		K-1431
5	X-8C-604	CAPSCREW		8	3/8"-16X1-1/4"	S-1445,S-1446,S-1527,S-1528,S-1529,S-1531
6	14765	-O- RING		1		K-1431,K-1450
7	16993	YOKE BAR		1		
7	A-6162	WELDED YOKE & BAR ASSY		1		
8	14341	PISTON	23353	1		K-1431
9	14345	-O- RING		1		K-1431,K-1450
10	14344	-O- RING		1		K-1431,K-1450
11	X-1-1010	NUT		1	5/8"-18	
12	14349	GASKET		1		K-1431,K-1450,K-1603,K-2199
13	19690	CYLINDER COVER		1		



For Airline Tubing information see Appendix.

\*For Connector and Elbow Assy component information see Appendix

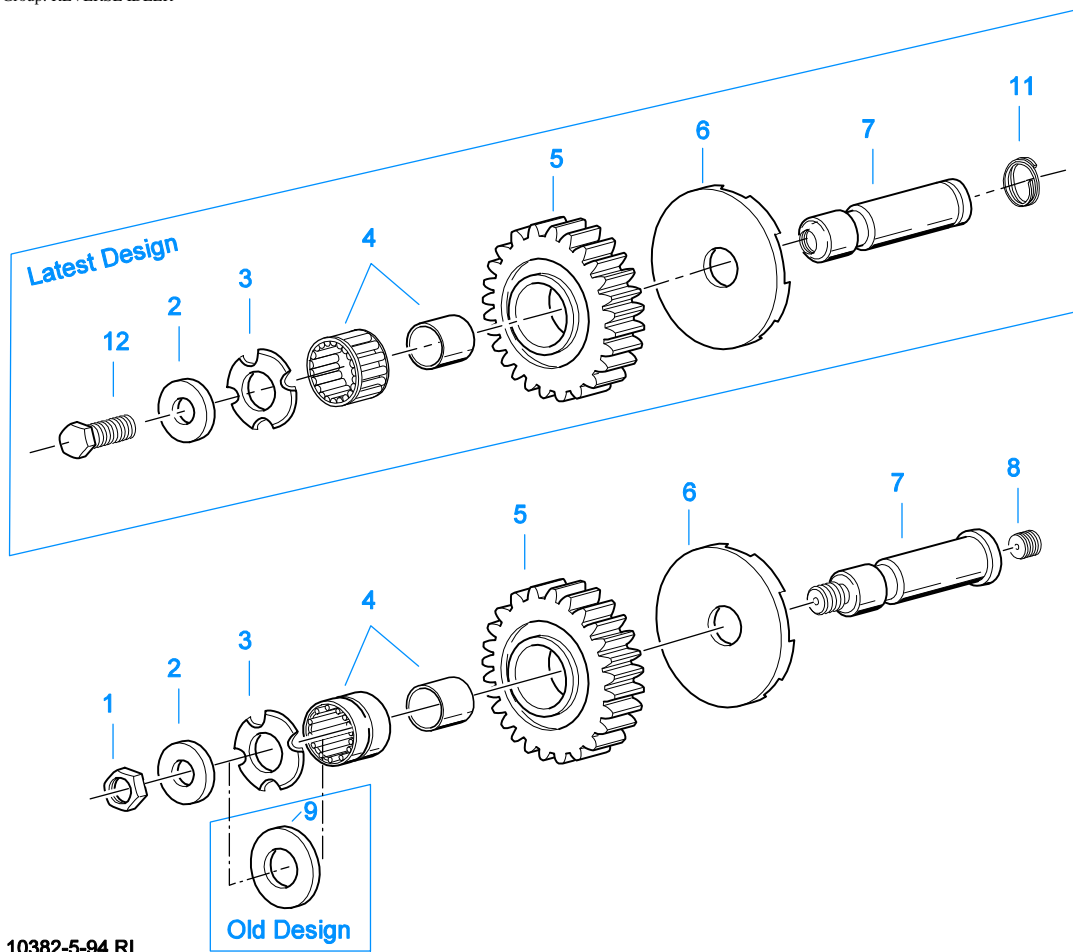
10099-5/93 AV

## RANGE VALVE

Item	Current Part	Description	Replaced Part	Qty.	Notes	Kits/Assys Where Needed
1	15120	KNOB		1		A-3546
2	62512	ROLL PIN		1		A-3546
3	K-1566	VALVE REPAIR KIT		1	FOR A-3546 VALVE	
9	X-13-214	SCREW		4	8-32X3/4"	
10	84002	CONNECTOR ASSY	82502	2	1/8" TUBE-1/8" NPTF	K-1963, K-2345, K-2761
10	84004	CONNECTOR ASSY	82504	2	5/32" TUBE-1/8" NPTF	
10	84006	CONNECTOR ASSY		2	"PUSH-TO-CONNECT" 5/32" TUBE-	K-2010



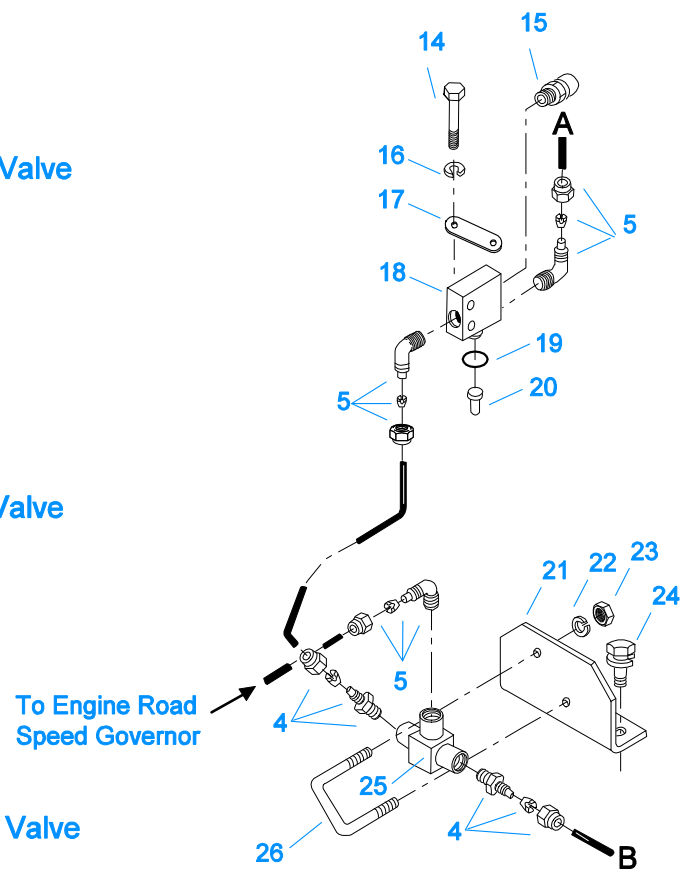
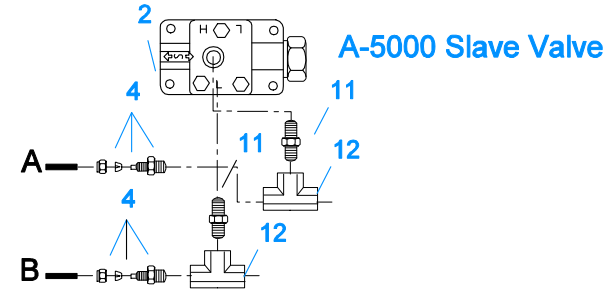
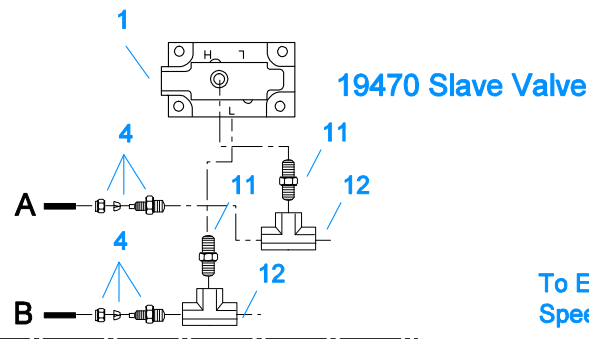
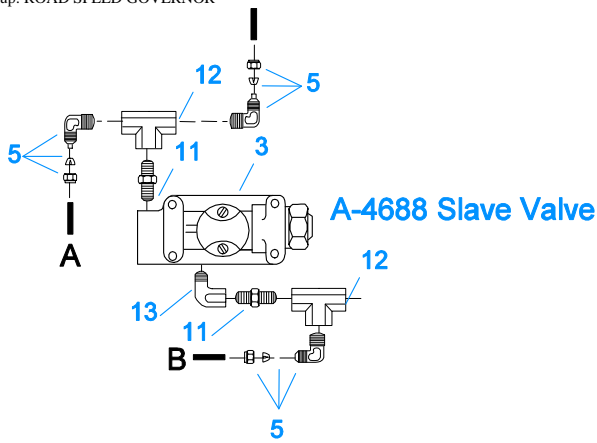
Item	Current Part	Description	Replaced Part	Qty.	Notes	Kits/Assys Where Needed
15	85001	ELBOW ASSY	84501	2	1/8"NPTF	
15	85002	ELBOW ASSY	84502	2	5/32"TUBE-1/8"NPTF	K-1963,K-2345,K-2761
15	85003	ELBOW ASSY		2	1/8"TUBE-1/8"NPTF	
					"PUSH-TO-CONNECT" 5/32"TUBE-1/8"NPTF	K-2010
16	18905	NO LONGER AVAILABLE		1		
17	84101	UNION ASSY		1	1/8" TUBING	
17	84102	UNION ASSY		1	5/32" TUBING	
17	84103	UNION ASSY		1	"PUSH-TO-CONNECT" 5/32" TUBING	K-2010
18	14441	CLAMP	14465	1		
19	80120	SHEATHING (50 FT ROLL)		1	5/32" - BLACK 50'	
20	13571	-O- RING CLAMP		2		
999	A-3546	RANGE VALVE ASSY	18268 ,18269 ,18272	1		



10382-5-94 RI

## REVERSE IDLER

Item	Current Part	Description	Replaced Part	Qty.	Notes	Kits/Assys Where Needed
1	X-1-1008	NUT		2	5/8"-18	
2	14283	WASHER		2		K-3218
3	4302982	WASHER	14282	2		K-3218,S-1520
4	14287	BEARING	4305020	2		K-2283,K-2345,K-2761
5	16953	IDLER GEAR		2		
6	19288	WASHER		2		K-3218
7	K-3218	IDLER SHAFT REPL KIT	4302981	2		
8	5202	PLUG		2		
9	14282	NO LONGER AVAILABLE		2		
11	4303336	RETAINING RING		2		K-3218
12	X-7-1008	CAPSCREW		2	5/8"-18X1-1/4	

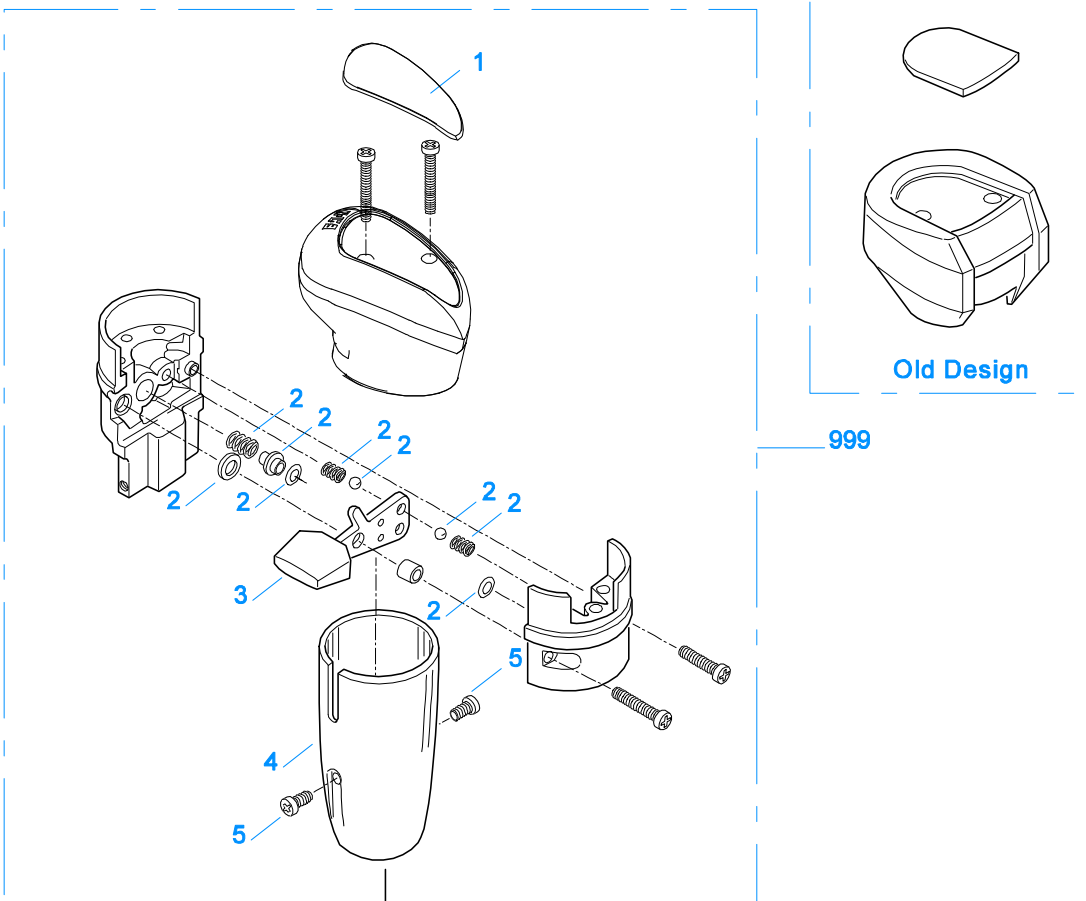


10501-6-94 HC/RSG

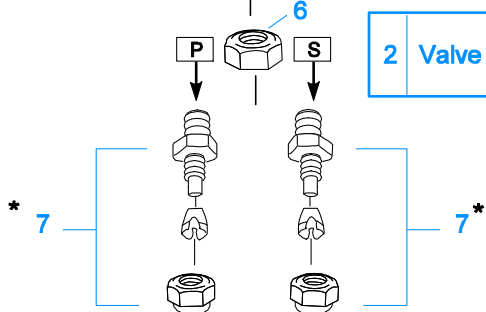
## ROAD SPEED GOVERNOR

Item	Current Part	Description	Replaced Part	Qty.	Notes	Kits/Assys Where Needed
1	K-2424	VALVE REPLACEMENT KIT	19470	1		
2	A-5000	SLAVE VALVE ASSY	20850	1		K-1963,K-2424
3	A-4688	SLAVE VALVE ASSY	15125 ,19464 ,A - 3991	1		
4	84002	CONNECTOR ASSY	82502	4	1/8" TUBE-1/8" NPTF	K-1963,K-2345,K-2761
4	84004	CONNECTOR ASSY	82504	4	5/32" TUBE-1/8" NPTF	
4	84006	CONNECTOR ASSY		4	"PUSH-TO-CONNECT" 5/32" TUBE-1/8" NPTF	K-2010
5	85001	ELBOW ASSY	84501	6	5/32" TUBE-1/8" NPTF	
5	85002	ELBOW ASSY	84502	6	1/8" TUBE-1/8" NPTF	K-1963,K-2345,K-2761
5	85003	ELBOW ASSY		6	"PUSH-TO-CONNECT" 5/32" TUBE-1/8" NPTF	K-2010
11	12769	NIPPLE		2	1/8"	K-1963
12	12881	TEE		2	1/8"	K-1963
13	12845	ELBOW		1	1/8"	K-1963
14	X-8-434	CAPSCREW		2	1/4"-20X2"	
15	7935	BREATHER		1		
16	X-3-400	LOCKWASHER		2	1/4"	
17	20199	PLATE	18724	1		S-1440,S-1441,S-1445,S-1446,S-1527,S-1528,S-1529,S-1531

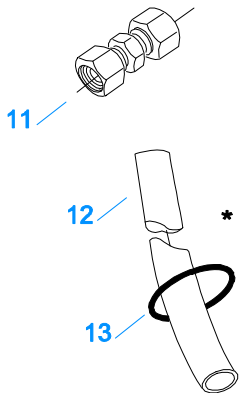
Item	Current Part	Description	Replaced Part	Qty.	Notes	Kits/Assys Where Needed
18	18734	VALVE		1		
19	18656	NO LONGER AVAILABLE		1		
20	15899	PIN		1	RT-RTF-RTO-RTOF	S-1440,S-1441,S-1445,S-1446,S-1527,S-1528,S-1529,S-1531
20	20119	PIN		1	RTX-RTXF	
21	18685	NO LONGER AVAILABLE		1		
22	X-3-305	LOCKWASHER		2	#10	
23	X-1-250	NO LONGER AVAILABLE		2	#10-32	
24	X-8L-602	CAPSCREW		2	3/8"-16X1-1/2"	
25	18675	VALVE		1		
26	18684	NO LONGER AVAILABLE		1		



2 Valve Repair Kit



See: Appendix / Air Line Tubing

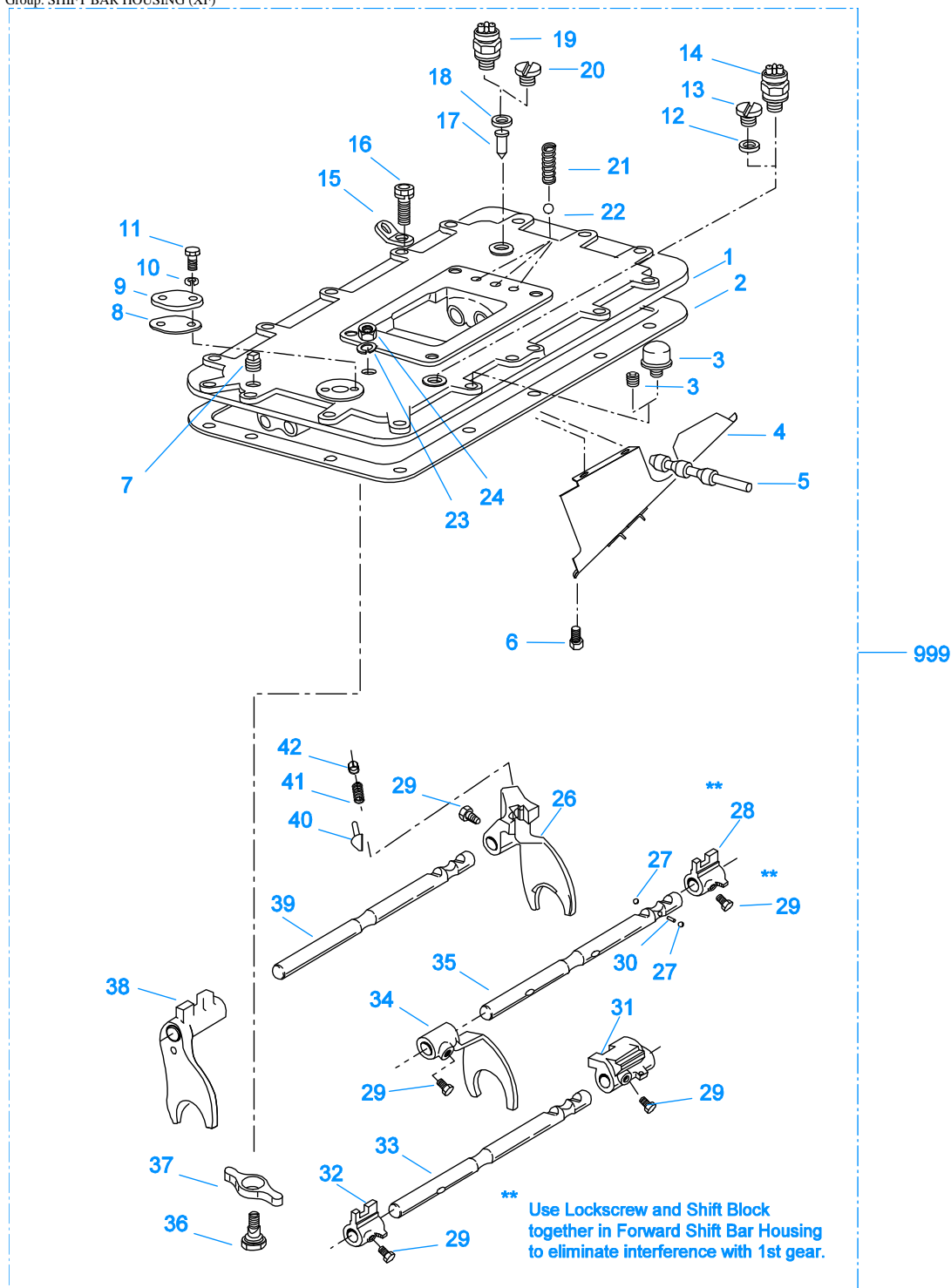


\*For Connector and Elbow Assy component information see Appendix.

10100A-3-97 RRV-2

## ROADRANGER VALVE

Item	Current Part	Description	Replaced Part	Qty.	Notes	Kits/Assys Where Needed
1	20107	MEDALLION, LOGO		1	(OLD DESIGN) FULLER LOGO ONLY	
1	5586100	MEDALLION, LOGO		1	(LATEST DESIGN) FULLER LOGO ONLY	A-6909
1	5586106	SHIFT DIAGRAM MEDALLION		1	RT	S-2543
1	5586107	SHIFT DIAGRAM MEDALLION		1	RTO	S-2544
2	K-1921	MASTER VALVE REPAIR KIT		1	FOR A-6909 & A-5010 VALVES	
3	20495	LEVER		1		A-6909
4	20112	COVER		1		A-6909
5	X-8-213	SCREW	X 8 202	2	8-32X3/8"	
6	X-9-802	NUT		1	1/2"-13	
7	84001	CONNECTOR ASSY	82501	2	1/8" TUBE-1/16" NPTF	
7	84003	CONNECTOR ASSY	82503	2	5/32" TUBE-1/16" NPTF	
7	84005	CONNECTOR ASSY		2	"PUSH-TO-CONNECT" 5/32" TUBE-1/16" NPTF	K-2010
10	85001	ELBOW ASSY	84501	2	5/32" TUBE-1/8" NPTF	
10	85002	ELBOW ASSY	84502	2	1/8" TUBE-1/8" NPTF	K-1963, K-2345, K-2761
10	85003	ELBOW ASSY		2	"PUSH-TO-CONNECT" 5/32" TUBE-1/8" NPTF	K-2010
11	84101	UNION ASSY		1	1/8" TUBING	
11	84102	UNION ASSY		1	5/32" TUBING	
11	84103	UNION ASSY		1	"PUSH-TO-CONNECT" 5/32" TUBING	K-2010
12	80120	SHEATHING (50 FT ROLL)		1	5/32" - BLACK 50'	
13	13571	-O- RING CLAMP		1		
999	A-6909	ROADRANGER VALVE ASSY	A - 5010 A - 5310	1	STANDARD-W/LOGO	K-2010
999	S-2543	ROADRANGER VALVE ASSY	A - 5043	1	RT - W/SHIFT DIAGRAM MEDALLION	
999	S-2544	ROADRANGER VALVE ASSY	A - 5045	1	RTO - W/SHIFT DIAGRAM MEDALLION	



10250-1/92 X-Forward

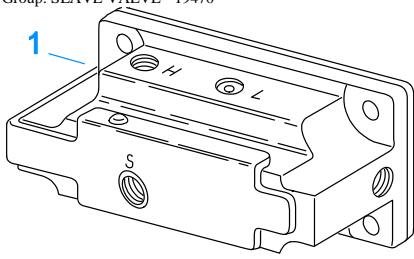
### SHIFT BAR HOUSING (XF)

Item	Current Part	Description	Replaced Part	Qty.	Notes	Kits/Assys Where Needed
1	S-1446	SHIFT BAR HSG (XF)	18925 ,20136 ,20216 ,20217 ,20488 21136 ,S - 1361	1	HOUSING ONLY	
2	4302676	GASKET	14918	1		K-1700,K-2199,S- 1527,S-1528,S-1529,S- 1531
3	4304602	BREATHER	23605	1	1/4" NPT	K-1700

Item	Current Part	Description	Replaced Part	Qty.	Notes	Kits/Assys Where Needed
3	X-12-404	PIPE PLUG		1	1/4" NPT	
4	20070	OIL TROUGH		1		S-1527,S-1528,S-1529,S-1531
5	20332	AIR VALVE SHAFT	17177	1		S-1527,S-1528,S-1529,S-1531
6	X-8-423	CAPSCREW		2	1/4"-20X1/2"	
7	X-12-603	PIPE PLUG	X12 602	1	3/8" NPT	
8	20209	GASKET		1		S-1440,S-1441,S-1445,S-1446,S-1527,S-1528,S-1529,S-1531
9	20199	PLATE	18724	1		S-1440,S-1441,S-1445,S-1446,S-1527,S-1528,S-1529,S-1531
10	X-3-400	LOCKWASHER		2	1/4"	
11	X-8-406	CAPSCREW		2	1/4"-20X3/4"	
12	17179	GASKET		1		S-1440,S-1441,S-1445,S-1446,S-1527,S-1528,S-1529,S-1531
13	4303655	PLUG	17178	1		S-1440,S-1441,S-1445,S-1446,S-1527,S-1528,S-1529,S-1531
14	22941	NEUTRAL LIGHT SWITCH	12639	1	SWITCH NORMALLY CLOSED	
15	20815	LIFTING EYE	17105	2		
16	X-8L-602	CAPSCREW		2	3/8"-16X1-1/2" USE W/20815 LIFTING EYES	
16	X-8L-604	CAPSCREW		16	3/8"-16X1-1/4"- OR USE 14 PCS OF X-8L-604 WITH 2 PCS OF X-8L-602	
17	15899	PIN		1		S-1440,S-1441,S-1445,S-1446,S-1527,S-1528,S-1529,S-1531
18	15900	GASKET		1		S-1440,S-1441,S-1445,S-1446,S-1527,S-1528,S-1529,S-1531
19	22940	REVERSE LIGHT SWITCH	16830	1	SWITCH NORMALLY OPEN	
20	4303656	PLUG	15917	1		S-1440,S-1441,S-1445,S-1446,S-1527,S-1528,S-1529,S-1531
21	15918	SPRING		3		K-1790,K-2345,K-2761,S-1527,S-1528,S-1529,S-1531
22	X-14-800	STEEL BALL		3	1/2"	
23	X-10-801	WASHER		1	1/2"	
24	X-1-803	NUT		1	1/2"-20	
26	16338	SHIFT YOKE		1	REVERSE/LO	S-1528,S-1529
27	X-14-1200	STEEL BALL		2	3/4"	
28	15770	SHIFT BLOCK		1	1ST/2ND	S-1528
29	22943	LOCKSCREW		1	USE W/15770 SHIFT BLOCK	S-1528,S-1529
29	3220	LOCKSCREW		4		S-1527,S-1528,S-1529,S-1531
30	1634	INTERLOCK PIN		1		K-1790,S-1527,S-1528,S-1529,S-1531
31	19062	SHIFT BLOCK		1	3RD/OD	S-1528
32	20120	SHIFT BLOCK	18924	1	3RD/OD	S-1527,S-1528
33	18931	YOKE BAR	4302759	1	3RD/OD	S-1528
33	20118	YOKE BAR		1	3RD/OD-W/ROAD SPEED GOVERNOR	
34	18922	SHIFT YOKE		1	1ST/2ND	S-1527,S-1528
35	18930	YOKE BAR		1	1ST/2ND	S-1528
36	18919	ACTUATOR PIVOT PIN		1		
37	18918	NO LONGER AVAILABLE		1		
38	4305575	SHIFT YOKE	20450	1	3RD/OD	S-1527,S-1528
39	18929	YOKE BAR		1	REVERSE/LO	S-1528
40	10019	PLUNGER		1		S-1219,S-1527,S-1528,S-1529,S-1531
41	6392	SPRING		1		S-1219,S-1527,S-1528,S-1529,S-1531
42	8968	PLUG		1		S-1219,S-1527,S-1528,S-1529,S-1531
999	S-1528	SHIFT BAR HSG ASSY (XF)	20217 ,21136	1	COMPLETE	



Group: SLAVE VALVE - 19470

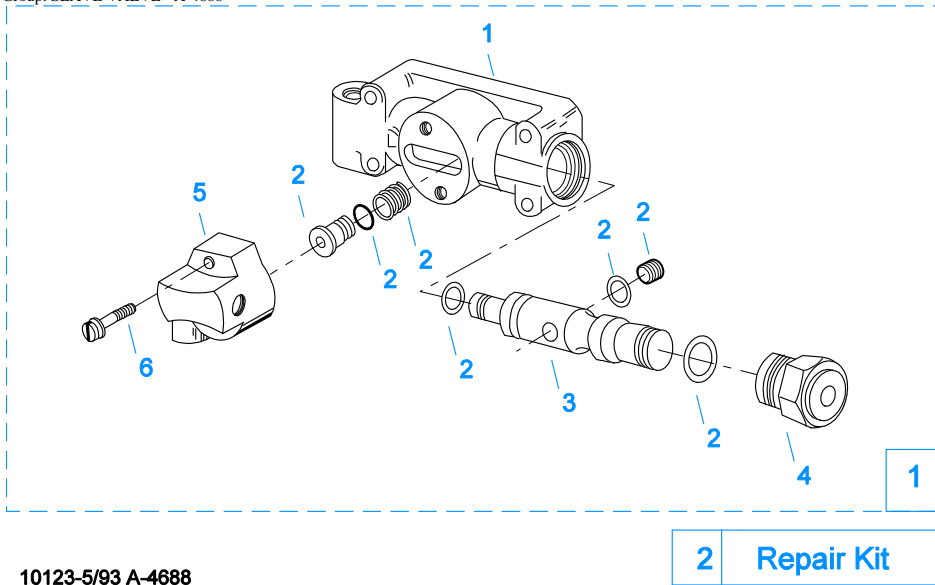


10121-1/92 19470 SV

## SLAVE VALVE - 19470

Item	Current Part	Description	Replaced Part	Qty.	Notes	Kits/Assys Where Needed
1	K-2424	VALVE REPLACEMENT KIT	19470	1		

Group: SLAVE VALVE - A-4688

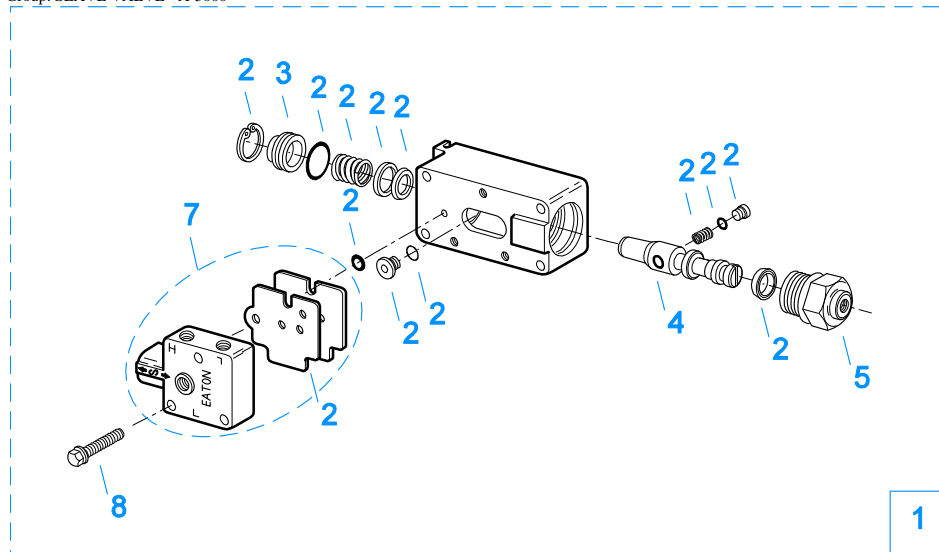


10123-5/93 A-4688

### SLAVE VALVE - A-4688

Item	Current Part	Description	Replaced Part	Qty.	Notes	Kits/Assys Where Needed
1	A-4688	SLAVE VALVE ASSY	15125 ,19464 ,A - 3991	1		
2	K-1699	REPAIR KIT-SLAVE VALVE		1	FOR A-4688 VALVE	
3	19463	PISTON	15126	1		A-4688
4	20849	CAP	15131	1		A-4688,A-5000
5	K-1613	CAP REPLACEMENT KIT	16429 ,18707	1	FOR A-4688 VALVE	
6	X-8S-401	CAPSCREW		2	1/4"-20X1-1/8"	

Group: SLAVE VALVE - A-5000



2 Repair Kit

10120-10-97 A-5000 SV

### SLAVE VALVE - A-5000

Item	Current Part	Description	Replaced Part	Qty.	Notes	Kits/Assys Where Needed
1	A-5000	SLAVE VALVE ASSY	20850	1		K-1963,K-2424
2	K-1935	REPAIR KIT-SLAVE VALVE		1	FOR A-5000 VALVE	
3	20855	PLUG		1		A-5000
4	20854	PISTON		1		A-5000
5	20849	CAP	15131	1		A-4688,A-5000
7	S-1516	CAP ASSY	20851 ,20853	1		
8	X-8C-413	CAPSCREW		3	1/4"-20X1-1/2"	

