



Eaton Fuller T-11605F Transmission Parts Manual

This is Eaton Fuller T-11605F Transmission parts manual brought to you by Pro Gear and Transmission to assist you identifying the parts for your Eaton / Fuller transmission unit.

If you need any assistance identifying the correct Eaton / Fuller unit for your truck and equipment, contact your Eaton replacement parts specialists at Pro Gear and Transmission.

Pro Gear stocks every part for your Eaton transmission including: Valve Assemblies, Synchronizers, Yoke Assemblies, O-Ring Kits, Drive Gears, Gaskets, Bearing and Seal Kits, and much more.

Pro Gear and Transmission has same day shipping and thousands of products in stock and ready to ship internationally for your next project.

For parts or service contact the Eaton transmission specialists at Pro Gear & Transmission, Inc.

 CALL US

 EMAIL US

 VISIT MODEL PAGE

 VISIT ONLINE STORE



Roadranger®

More time on the road®

Illustrated Parts List

T-11605F

November 2012

Contents

How To Use The Illustrated Parts List	3
CASE (FRONT)	4
COUNTERSHAFT ASSY.....	7
INPUT SHAFT & DRIVE GEAR	9
ISOLATORS	11
KITS & ASSEMBLIES	12
LEVERS/HOUSINGS.....	14
MAINSHAFT ASSY	17
MISCELLANEOUS	20
OUTPUT SHAFT	21
REAR BEARING COVERS	24
REVERSE IDLER	25
SHIFT BAR HOUSING (STD).....	27

How To Use The Illustrated Parts List

The information contained in this document is subject to frequent updates. Therefore, for the latest information available, please visit the interactive Electronic Parts Catalog at www.roadranger.com/epc.

Model Designation or Nomenclature

- For information regarding Model Designation and Nomenclature, visit www.roadranger.com.

Kits and Assemblies (K/A's)

- Kits and Assemblies contain groups of individual or assembled parts developed for optimal replacement or repair of a service problem.
- Kits and Assemblies are shown with applicable parts groupings in the parts listings.

Identifying Kits and Assemblies

A- Part numbers beginning with the letter 'A' are pre-assembled Production Assemblies

K- Part numbers beginning with the letter 'K' are kits that are not assembled

S- Part numbers beginning with the letter 'S' are pre-assembled Service Assemblies

- Note: Some Production Assemblies do not begin with a letter prefix (Midrange only).

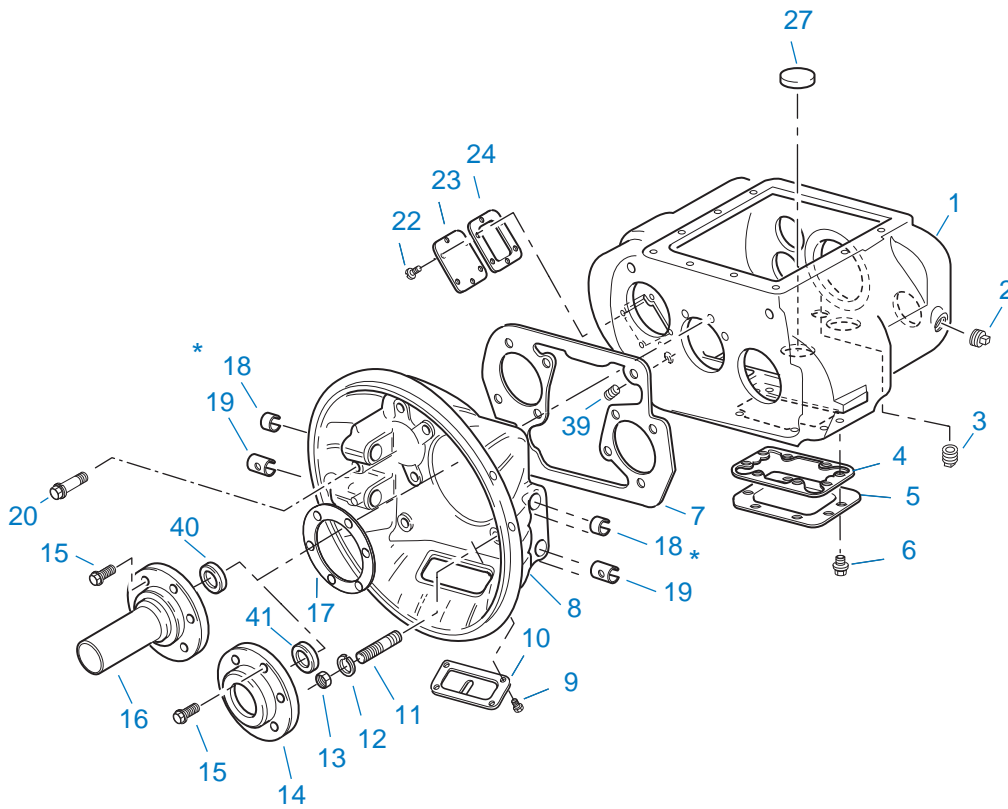
Illustrations

- Illustrations show parts in assembly groups.
- Item numbers on illustrations correspond with parts listings on pages adjacent to the illustration.
- Notes are included on illustrations where additional information is needed.

Parts Listing

Parts listings are defined by parts groupings and are broken down by service assemblies. Parts listings identify a part for servicing with the following categories

- **Item Number** - corresponding with numbers on illustrations for part identification.
- **Current Part** - identifies part as it is available for service.
- **Description** - specifies part name or description.
- **Replaced Part** - quantity quantity required for assembly.
- **Quantity** - defines unique characteristics or requirements.
- **Notes** - indicates Kits or Assemblies that contain a particular part.
- **Kits/Assy's Where Used**



* Bushing quantity requirements: #1 Housing – Upper bore use 4 #12815 / Lower bore use 2 #8677.
 #2 Housing – Upper bore use 2 #12815 and 1 #8677 / Lower bore use 2 #8677.

Note: Some part requirements are specific to #1 or #2 Clutch Housings and Push or Pull type Clutch.

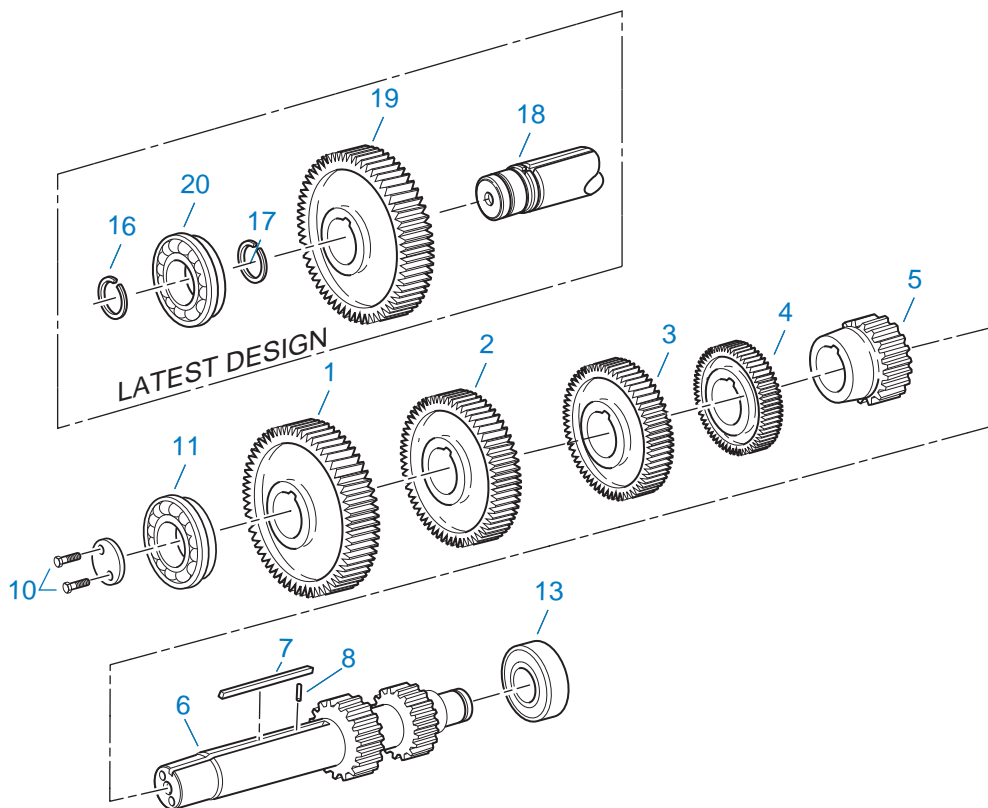
10315-1-95

CASE (FRONT)

Item	Current Part	Description	Replaced Part	Qty.	Notes	Kits/Assys Where Needed
1	S-1423	NO LONGER AVAILABLE	20154	1		
1	S-1426	NO LONGER AVAILABLE	20232	1		
2	X-12-2007	PIPE PLUG	X12 2006	1		
3	X-12-1207	PIPE PLUG	X12 1202 ,X12 1206	1	3/4" MAGNETIC	
4	4305310	GASKET	4302810	1		K-1782
5	4302809	PTO COVER	16596 ,4300571	1		
6	X-8-725	CAPSCREW	X 8 724	8	7/16"-14X7/8"	
7	4306584	CLUTCH HOUSING GASKET	4304815,4305668	1		K-1782
8	A-3713	CLUTCH HOUSING ASSY	A - 3700	1	#1 PUSH-PULL IRON	
8	A-3723	CLUTCH HOUSING ASSY	A - 3721 ,A - 3722	1	#2 PUSH-PULL IRON	
8	A-4772	CLUTCH HOUSING ASSY	A - 4344 ,A - 4771	1	#2 PUSH-PULL ALUM.	

Item	Current Part	Description	Replaced Part	Qty.	Notes	Kits/Assys Where Needed
8	A-6064	CLUTCH HOUSING ASSY	A - 4342 ,A - 4770 ,A - 6062 ,A - 6063 ,A - 6065	1	#1 PUSH-PULL ALUM.	
8	K-1660	CLUTCH HOUSING KIT	16329 ,A - 4189 ,A - 4190 ,S - 1207	1	#2 PUSH-PULL ALUM.	
8	S-1237	NO LONGER AVAILABLE		1	#2 PUSH-PULL IRON	
9	239614	SCREW	X-8L-509	4	5/16-18X.81 QUANTITY DEPENDENT ON DESIGN	
10	14506	HAND HOLE COVER		1	#2 PUSH	
10	14507	HAND HOLE COVER		1	#2 PULL	
10	4305230	HAND HOLE COVER	11453	1	#1 PULL	
10	4305231	HAND HOLE COVER	1565	1	#1 PUSH	
11	4306583	STUD	5966	6		
12	X-10-1005	WASHER	X 3 1000 ,X10 1000 ,X10 1004	6	1.23 X 6.60	
13	X-1-1012	HEX NUT	X-1-1005	6	.625-18	
14	14267	FRONT BRG. COVER		1	1-3/4" PULL	
14	15111	FRONT BRG. COVER		1	2" PULL	
14	18699	FRONT BRG. COVER		1	1-3/4" & 2" PULL W/SEAL	
14	20550	FRONT BRG COVER		1	2" PULL	K-1984
14	20552	FRONT BRG COVER		1	1-3/4" PULL	K-1983
15	X-8L-604	CAPSCREW		6	3/8"-16X1-1/4" USE 6 PCS WITH PULL TYPE COVER USE 4 PCS WITH PUSH TYPE COVER	
15	X-8L-619	CAPSCREW		2	3/8"-16X1-1/4" - USE WITH PUSH TYPE COVER	
16	14994	FRONT BRG. COVER		1	2" PUSH	
16	15113	FRONT BRG. COVER		1	1-3/4" & 2" PUSH W/SEAL	
16	20549	FRONT BRG COVER		1	2" PUSH	
16	20551	FRONT BRG. COVER		1	1-3/4" PUSH	
16	S-1478	NO LONGER AVAILABLE		1	1-3/4" PUSH	
17	14311	GASKET		1		K-1782
18	12815	BUSHING		4	FOR #1 HOUSING - UPPER	A-3713,A-3723,A-4772,A-6064
18	12815	BUSHING		2	FOR #2 HOUSING - UPPER	A-3713,A-3723,A-4772,A-6064
18	8677	BUSHING		1	FOR #2 HOUSING - UPPER	A-3713,A-3723,A-4772,A-6064

Item	Current Part	Description	Replaced Part	Qty.	Notes	Kits/Assys Where Needed
19	8677	BUSHING		3	FOR #1 AND #2 HOUSING - LOWER	A-3713,A-3723,A-4772,A-6064
20	X-8C-830	HEX HEAD SCREW/WASHER ASSY	X-8C-826	4	.500-13 X 1.490, USE 2 PCS FOR IRON HOUSING, USE 4 PCS FOR ALUMINUM HOUSING	K-1660
20	X-8C-831	HEX HEAD SCREW/WASHER ASSY	X-8C-822	2	.500-13 X 3.460, FOR IRON HOUSING	
22	X-8-686	CAPSCREW		6	3/8"-16X3/4"	
23	14575	PTO COVER	4302254	1		
24	4305309	GASKET	1684	1		K-1782
27	14373	MAGNET		3		
39	X-12-802	PIPE PLUG	X12 800	1	1/2"	
40	12581	OIL SEAL		1	USE W/15113 COVER ONLY	
41	16976	SEAL		1	1-3/4"	
41	16977	SEAL		1	2"	

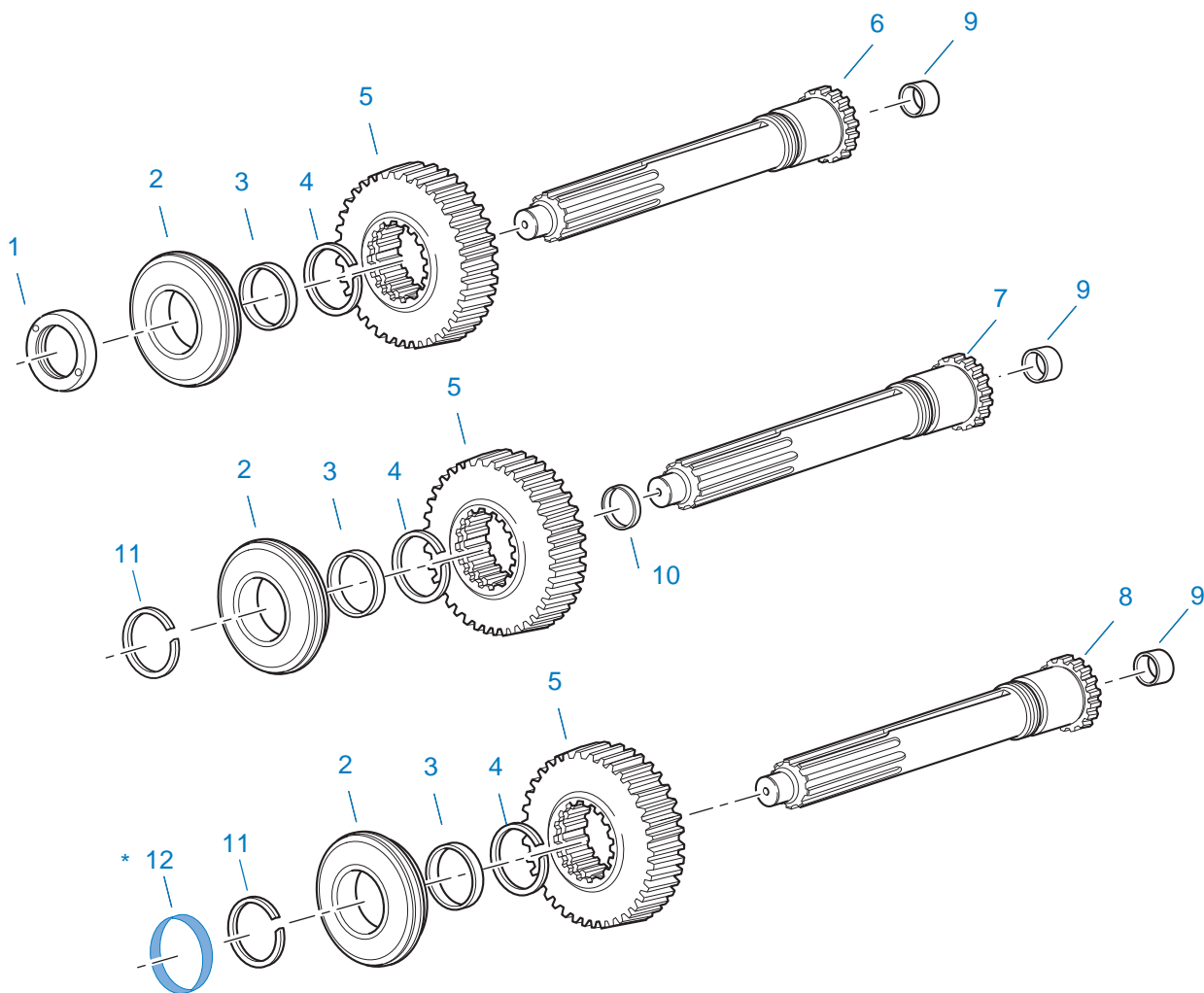


10359-1-95

COUNTERSHAFT ASSY

Item	Current Part	Description	Replaced Part	Qty.	Notes	Kits/Assys Where Needed
1	19190	DRIVE GEAR-CNTRSHFT		2		
2	14307	NO LONGER AVAILABLE		1		
2	14886	NO LONGER AVAILABLE		1		
2	14905	NO LONGER AVAILABLE		2		
3	19985	4TH GEAR-CNTRSHFT		2		
4	19621	NO LONGER AVAILABLE		2		
5	4300293	2ND GEAR-CNTRSHFT	19178	2		
6	15475	NO LONGER AVAILABLE		2		
7	16664	KEY		2		
8	62511	ROLL PIN		2		S-1220
9	7484	NO LONGER AVAILABLE		2		
10	X-7-802	CAPSCREW		4	1/2"-20X1"	
11	20899	BEARING	81007	2		
13	14366	BEARING		2		K-1873,K-1983,K-

Item	Current Part	Description	Replaced Part	Qty.	Notes	Kits/Assys Where Needed
						1984
16	15253	SNAP RING		2		K-1873,K-1983,K-1984
17	20085	SNAP RING		2		K-1873,K-1983,K-1984
18	20148	NO LONGER AVAILABLE		2		
19	20150	NO LONGER AVAILABLE		2		
20	81022	BALL BEARING	5566509	2		K-1873,K-1983,K-1984



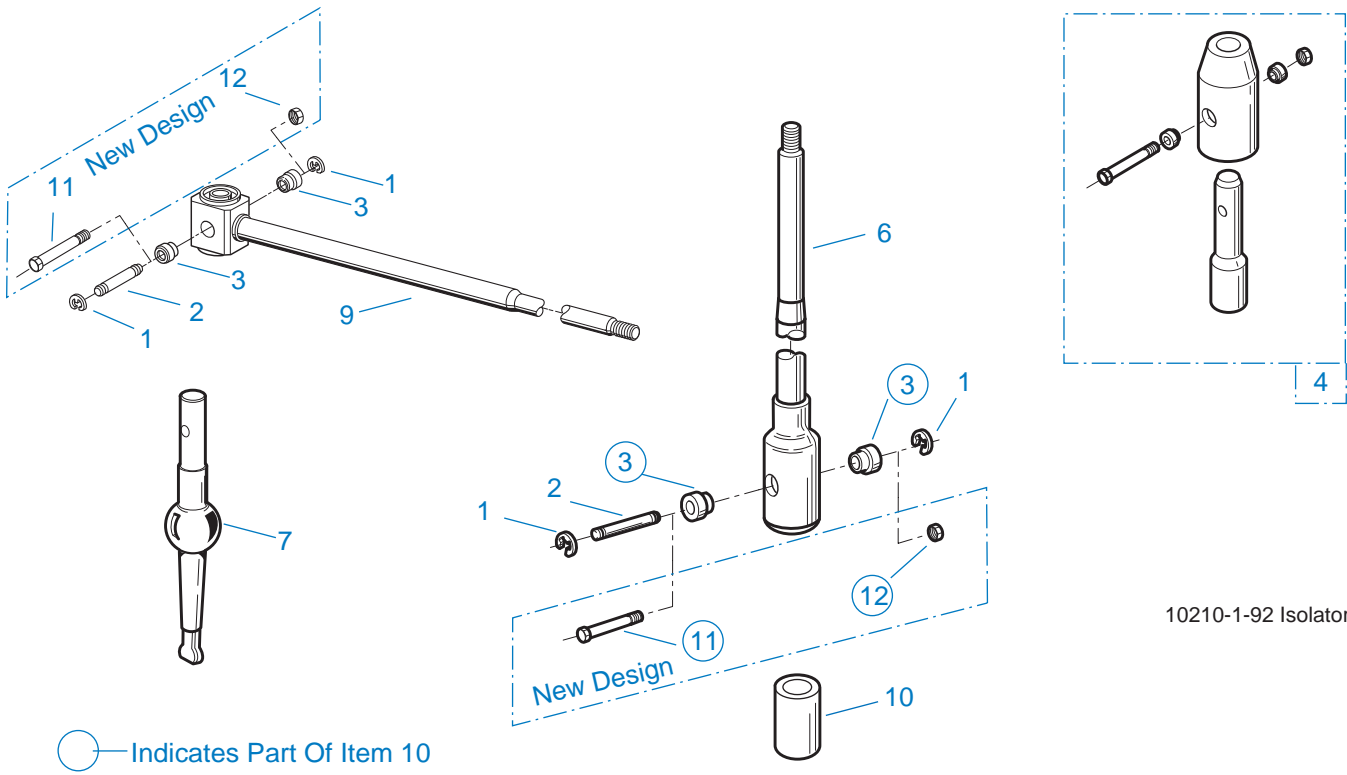
10372-5/93 IS (3)

* For Shipping Only -- Do Not Replace

INPUT SHAFT & DRIVE GEAR

Item	Current Part	Description	Replaced Part	Qty.	Notes	Kits/Assys Where Needed
1	11466	NUT		1	USE W/15112 SHAFT	
1	8858	NUT		1	PUSH	
1	8997	NUT		1	PULL	
2	81504	BEARING		1		K-1873,K-1983,K-1984
3	16396	SPACER		1		
4	14289	SNAP RING		1		K-1503,K-1873,K-1983,K-1984
5	19191	NO LONGER AVAILABLE		1		

Item	Current Part	Description	Replaced Part	Qty.	Notes	Kits/Assys Where Needed
6	14660	INPUT SHAFT		1	1-3/4" PUSH - USE W/FBC 14370	S-1130
6	14661	INPUT SHAFT		1	1-3/4" PULL - USE W/FBC 14267	S-1131
6	14995	NO LONGER AVAILABLE		1	2" PUSH - USE W/FBC 14994	S-1132
6	15110	INPUT SHAFT		1	2" PULL - USE W/FBC 15111	S-1133
6	15112	NO LONGER AVAILABLE		1	2" PUSH W/SEAL - USE W/FBC 15113	
7	S-1343	NO LONGER AVAILABLE	16983	1	1-3/4" PULL W/SEAL - USE W/FBC 18699	
7	S-1344	NO LONGER AVAILABLE	16984	1	2" PULL W/SEAL - USE W/FBC 18699	
8	S-1661	INPUT SHAFT ASSY	20540 23569 ,691518	1	2" PULL - USE W/FBC 20550	K-1984
8	S-1662	INPUT SHAFT ASSY	20541 ,23570 ,4300430 ,S - 1507	1	2" PUSH - USE W/FBC 20549	
8	S-2916	INPUT SHAFT ASSY	20530 ,4304354	1	1-3/4" PUSH	
8	S-2917	INPUT SHAFT ASSY	20531 4304355	1	1-3/4" PULL	K-1983
9	16566	BUSHING		1		K-1873,S-1130,S-1131,S-1132,S-1133,S-1343,S-1344,S-1661,S-1662
10	16978	SLEEVE		1	2" W/SEAL	S-1344
10	16979	WEAR SLEEVE		1	1-3/4" W/SEAL	S-1343
11	16980	SNAP RING		1		K-1983,K-1984
12	23559	SEAL		1	NOT SOLD FOR SERVICE	



10210-1-92 Isolator

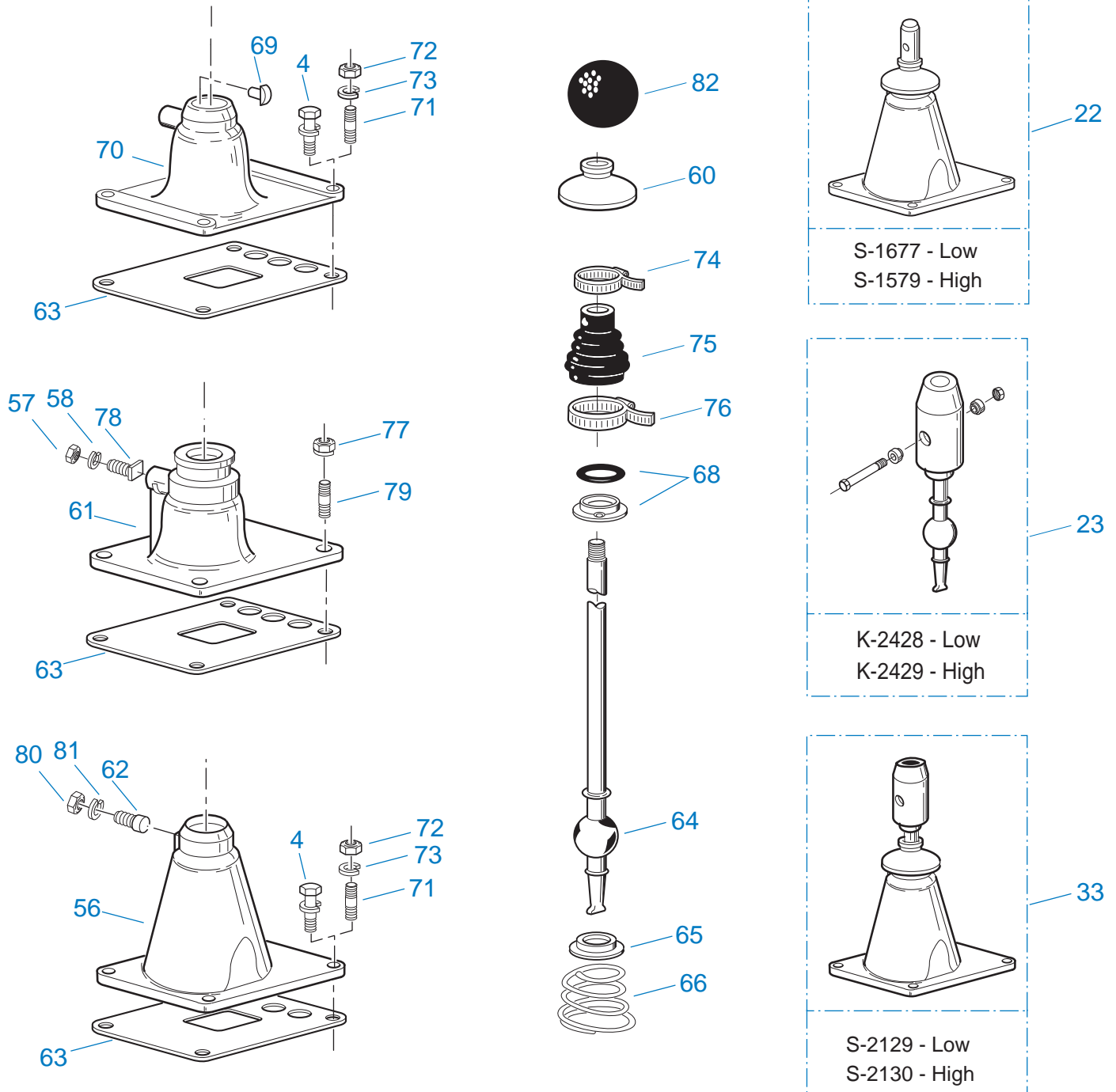
ISOLATORS

Item	Current Part	Description	Replaced Part	Qty.	Notes	Kits/Assys Where Needed
1	19124	-E- RING		2		
2	K-3467	PIN REPLACEMENT KIT	21245	1		
3	21246	BUSHING		2		K-2003,K-2428,K-2429,K-3399,S-2129,S-2130
4	S-1794	ISOLATOR ASSY		1		
6	21247	LEVER		1	STRAIGHT 18.67"	
7	21235	STUB LEVER		1	LOW TOWER	K-2428,S-1677
7	21236	STUB LEVER		1	HIGH TOWER	K-2429,S-1579,S-2130
9	21767	90 DEG LEVER		1	STRAIGHT 33"	
10	K-3399	ISOLATOR BUSHING KIT	21244 ,23311	1		
11	X-8-560	SCREW		1		K-2003
12	X-9-503	NUT		1		K-2003

KITS & ASSEMBLIES

Item	Current Part	Description	Replaced Part	Qty.	Notes	Kits/Assys Where Needed
K-1476		SHIFT LEVER HSG	4530 ,17163 ,18298 ,4304905 ,A - 4437	1	LOW TOWER	
K-1503		SMALL PARTS KIT		1		
K-1631		SHIFT LEVER HSG	14456 ,17168 ,4304327	1	LOW	
K-1660		CLUTCH HOUSING KIT	16329 ,A - 4189 ,A - 4190 ,S - 1207	1	#2 PUSH-PULL ALUM.	
K-1782		GASKET KIT		1		K-1873,K-1983,K-1984
K-1873		BASIC REBUILD KIT		1		
K-1983		BASIC OVERHAUL KIT		1	1-3/4" SHAFT & PULL TYPE CLUTCH	
K-1984		BASIC OVERHAUL KIT		1	2" SHAFT & PULL TYPE CLUTCH	
K-2003		PIN & BUSHING KIT		1		
K-2262		OIL SEAL W/SLINGER	19109 ,20807 ,20808	1	"FOR MECHANICAL COVER"	
K-2360		KEY & WASHER KIT	18365	1	CONTAINS 3-SIDED KEY	
K-2428		LEVER REPLACEMENT KIT		1	LOW TOWER	
K-2429		LEVER REPLACEMENT KIT		1	HIGH TOWER	
K-2973		SHIFT LEVER HSG KIT	17166 ,17167 ,4303050 ,4304910 ,K - 1630 K - 1941	1	HIGH TOWER	
K-3399		ISOLATOR BUSHING KIT	21244 ,23311	1		
K-3467		PIN REPLACEMENT KIT	21245	1		
K-3651		OIL SEAL TOOL KIT		1		
S-1130		INPUT SHAFT ASSY	14660	1	1-3/4" PUSH	
S-1131		INPUT SHAFT ASSY	14661	1	1-3/4" PULL	
S-1132		INPUT SHAFT ASSY	14995	1	2" PUSH	
S-1133		INPUT SHAFT ASSY	15110	1	2" PULL	
S-1220		MAINSHAFT ASSY	18362	1		
S-1343		NO LONGER AVAILABLE	16983	1	1-3/4" PULL W/ SEAL	
S-1344		NO LONGER AVAILABLE	16984	1	2" PULL W/ SEAL	
S-1661		INPUT SHAFT ASSY	20540 23569 ,691518	1	2" PULL	K-1984

Item	Current Part	Description	Replaced Part	Qty.	Notes	Kits/Assys Where Needed
S-1662		INPUT SHAFT ASSY	20541 ,23570 ,4300430 ,S - 1507	1	2" PUSH	
S-1794		ISOLATOR ASSY		1		
S-2129		SHIFT LEVER HSG ASSY		1	LOW TOWER	
S-2130		SHIFT LEVER HSG ASSY	S - 2053	1	HIGH TOWER	
S-2155		REAR BRG COVER ASSY	14708 ,20811 ,21639 ,S - 1540	1		
S-2916		INPUT SHAFT ASSY	20530 ,4304354	1	1-3/4" PUSH	
S-2917		INPUT SHAFT ASSY	20531 4304355	1	1-3/4" PULL	K-1983



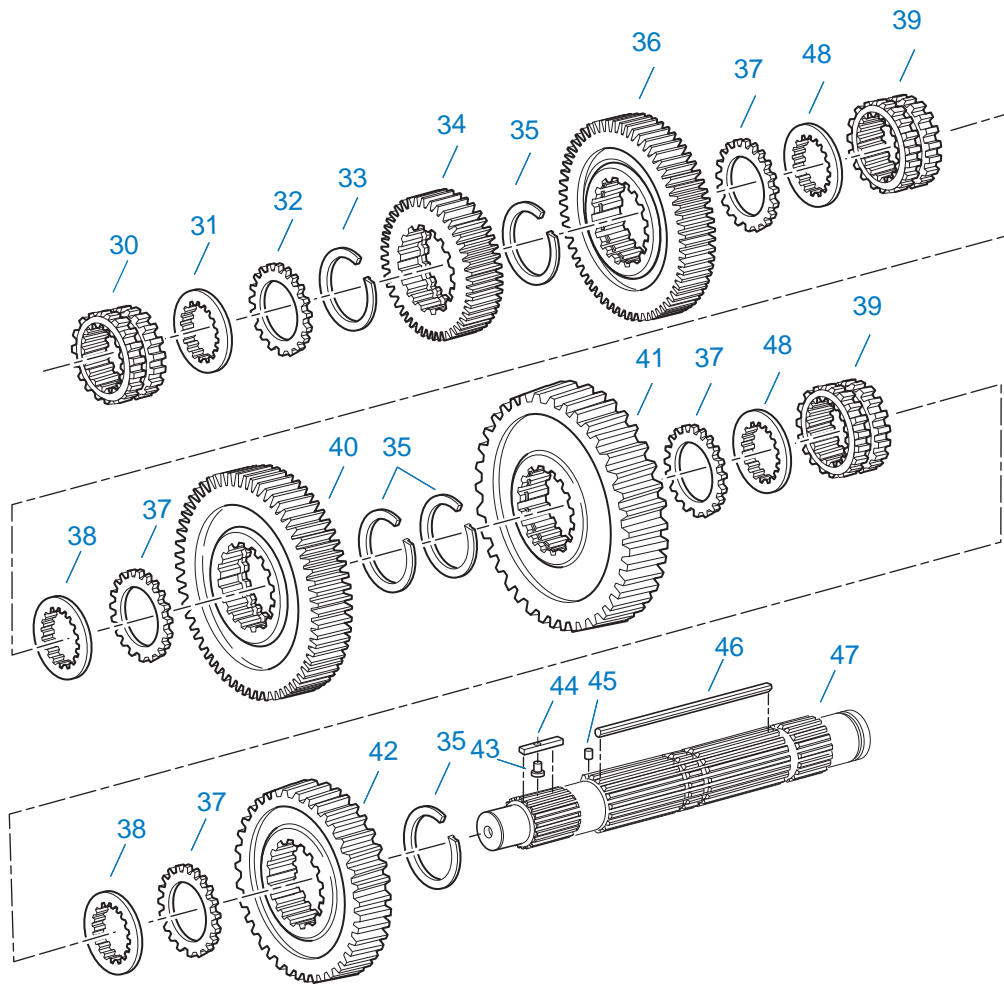
10203-6-94

LEVERS/HOUSINGS

Item	Current Part	Description	Replaced Part	Qty.	Notes	Kits/Assys Where Needed
4	X-8C-604	CAPSCREW		4	3/8"-16X1-1/4"	
23	K-2428	LEVER REPLACEMENT KIT		1	LOW TOWER	

Item	Current Part	Description	Replaced Part	Qty.	Notes	Kits/Assys Where Needed
23	K-2429	LEVER REPLACEMENT KIT		1	HIGH TOWER	
24	S-1579	SHIFT TOWER ASSY		1	HIGH TOWER	
24	S-1677	SHIFT TOWER ASSY		1	LOW TOWER	
33	S-2129	SHIFT LEVER HSG ASSY		1	LOW TOWER	
33	S-2130	SHIFT LEVER HSG ASSY	S - 2053	1	HIGH TOWER	
56	K-2973	SHIFT LEVER HSG KIT	17166 ,17167 ,4303050 ,4304910 ,K - 1630 K - 1941	1	HIGH TOWER	
57	X-1-500	NUT		1	5/16"-24	
58	X-3-500	LOCKWASHER		1	5/16"	
60	10427	BOOT		1		K-1476,K-2973,S-1579,S-1677,S-2130
61	K-1631	SHIFT LEVER HSG	14456 ,17168 ,4304327	1	LOW, USE W/14795 BOOT	
62	6541	PIN		1	3/8"	
63	4305294	GASKET	4303431	1		K-1476,K-1631,K-1782,K-2428,K-2429,K-2973,S-1579,S-1677,S-2129,S-2130
64	17600	GEAR SHIFT LEVER		1	STRAIGHT - LOW 21-1/2"	
64	18482	GEAR SHIFT LEVER		1	STRAIGHT - HIGH 35"	
65	2538	RETAINER		1		K-1476,K-2973,S-1579,S-1677,S-2130
66	2536	SPRING		1		K-1476,K-2973,S-1579,S-1677,S-2130
68	K-3376	O-RING & WASHER KIT	4301211	1		
69	18299	PIN		1		K-1476,S-1677
70	K-1476	SHIFT LEVER HSG	4530 ,17163 ,18298 ,4304905 ,A - 4437	1	LOW TOWER	
71	11934	STUD	7467	4		
72	X-1-600	NUT		4	3/8"-24-N.F.PLAIN	
73	X-3-600	LOCKWASHER		4	3/8"	
74	14453	CLAMP		1		
75	14795	BOOT		1		
76	14454	CLAMP		1		
77	X-1-604	NUT		4	3/8"-24	

Item	Current Part	Description	Replaced Part	Qty.	Notes	Kits/Assys Where Needed
78	14461	PIN		1		
79	14236	NO LONGER AVAILABLE		4		
80	X-1-600	NUT		1	3/8"-24-N.F.PLAIN	
81	X-3-600	LOCKWASHER		1	3/8"	
82	17560	LEVER GRIP		1	1/2"-13	



10333-1-95

MAINSHAFT ASSY

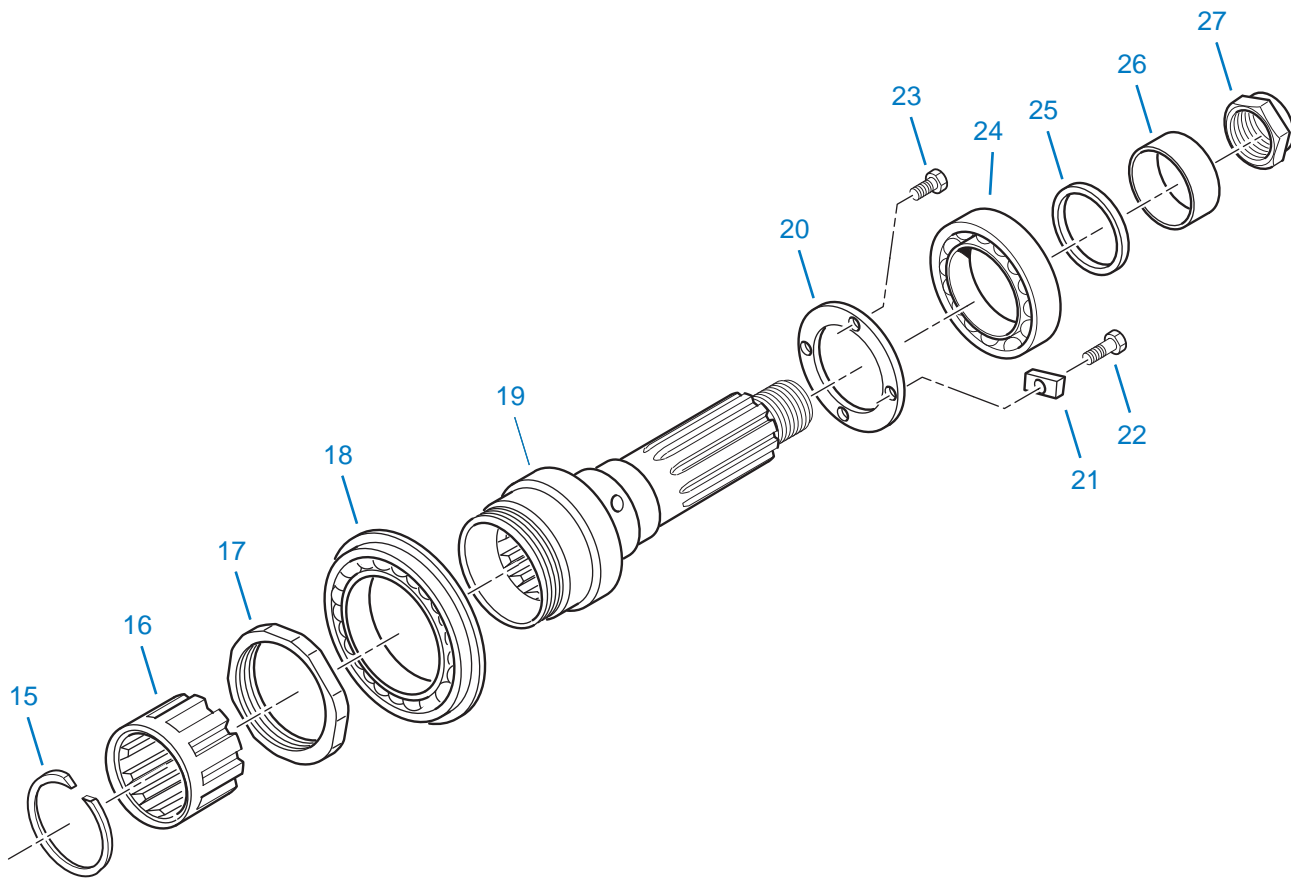
Item	Current Part	Description	Replaced Part	Qty.	Notes	Kits/Assys Where Needed
30	14654	SLIDING CLUTCH		1		K-1983,K-1984
31	14274	WASHER .248-.250 WHITE	18717	1		
31	14276	WASHER .258-.260 ORANGE	18719	1		
31	14277	WASHER .263-.265 PURPLE	18720	1		
31	14278	WASHER .268-.270 YELLOW	18721	1		
31	14279	WASHER .273-.275 BLACK	18722	1		
31	4300512	WASHER .253-.255 GREEN	14275 18718	1		K-1503

Item	Current Part	Description	Replaced Part	Qty.	Notes	Kits/Assys Where Needed
32	14273	SPACER		1		K-1503
33	14289	SNAP RING		1		K-1503,K-1873,K-1983,K-1984
34	19984	NO LONGER AVAILABLE		1		
35	14750	SNAP RING		4		K-1503
36	19620	NO LONGER AVAILABLE		1		
37	14749	SPACER		4		K-1503
38	14711	WASHER .248-.250 WHITE	18701	2		K-1503
38	14712	WASHER .253-.255 GREEN	18702	2		K-1503
38	14713	WASHER .258-.260 ORANGE	18703	2		K-1503
38	14714	WASHER .263-.265 PURPLE	18704	2		
38	14715	WASHER .268-.270 YELLOW	18705	2		
38	14716	WASHER .273-.275 BLACK	18706	2		
38	4300382	WASHER .249-WHITE		2	OPTIONAL 4300382-4300387 OR 4300830 USE WITH 3-SIDED KEY	K-2360
38	4300383	WASHER .254-GREEN		2	OPTIONAL 4300382-4300387 OR 4300830 USE WITH 3-SIDED KEY	K-2360
38	4300384	WASHER .259-ORANGE		2	OPTIONAL 4300382-4300387 OR 4300830 USE WITH 3-SIDED KEY	K-2360
38	4300385	WASHER .264-PURPLE		2	OPTIONAL 4300382-4300387 OR 4300830 USE WITH 3-SIDED KEY	
38	4300386	WASHER .269-YELLOW		2	OPTIONAL 4300382-4300387 OR 4300830 USE WITH 3-SIDED KEY	
38	4300387	WASHER .274-BLACK		2	OPTIONAL 4300382-4300387 OR 4300830 USE WITH 3-SIDED KEY	
38	4300830	WASHER .244-BLUE		2	OPTIONAL 4300382-4300387 OR 4300830 USE WITH 3-SIDED KEY	K-2360
39	14709	SLIDING CLUTCH		2		
40	4300292	2ND GEAR-MAINSHAFT	19177	1		
41	15470	NO LONGER AVAILABLE		1		
42	15480	NO LONGER AVAILABLE		1		
43	14832	PIN		1		A-3456
44	A-3456	KEY & PIN ASSY	14884	1		K-1503

Item	Current Part	Description	Replaced Part	Qty.	Notes	Kits/Assys Where Needed
45	62511	ROLL PIN		1		S-1220
46	4300974	3-SIDED KEY		1	MUST USE MATCHING WASHERS	K-2360
46	K-2360	KEY & WASHER KIT	18365	1	CONTAINS 3-SIDED KEY	
47	S-1220	MAINSHAFT ASSY	18362	1		
48	14711	WASHER .248-.250 WHITE	18701	2		K-1503
48	4300382	WASHER .249-WHITE		2	MUST BE USED WITH 3-SIDED KEY	K-2360

MISCELLANEOUS

Item	Current Part	Description	Replaced Part	Qty.	Notes	Kits/Assys Where Needed
	19601	SHIFT DIAGRAM LABEL		1	T-MODELS	
	19602	NO LONGER AVAILABLE		1	TO-MODELS	
	71203	SILICONE LUBE		1	8 OZ (236.59 CC)-FLEET SIZE	
	71204	ADHESIVE SEALANT		1	0.5 CC (SINGLE APPLICATION SIZE)	
	71205	SEALANT		1	2 CC (SINGLE APPLICATION SIZE)	K-1983,K-1984
	71206	SILICONE LUBE		1	4 CC (SINGLE APPLICATION SIZE)	K-2428,K-2429



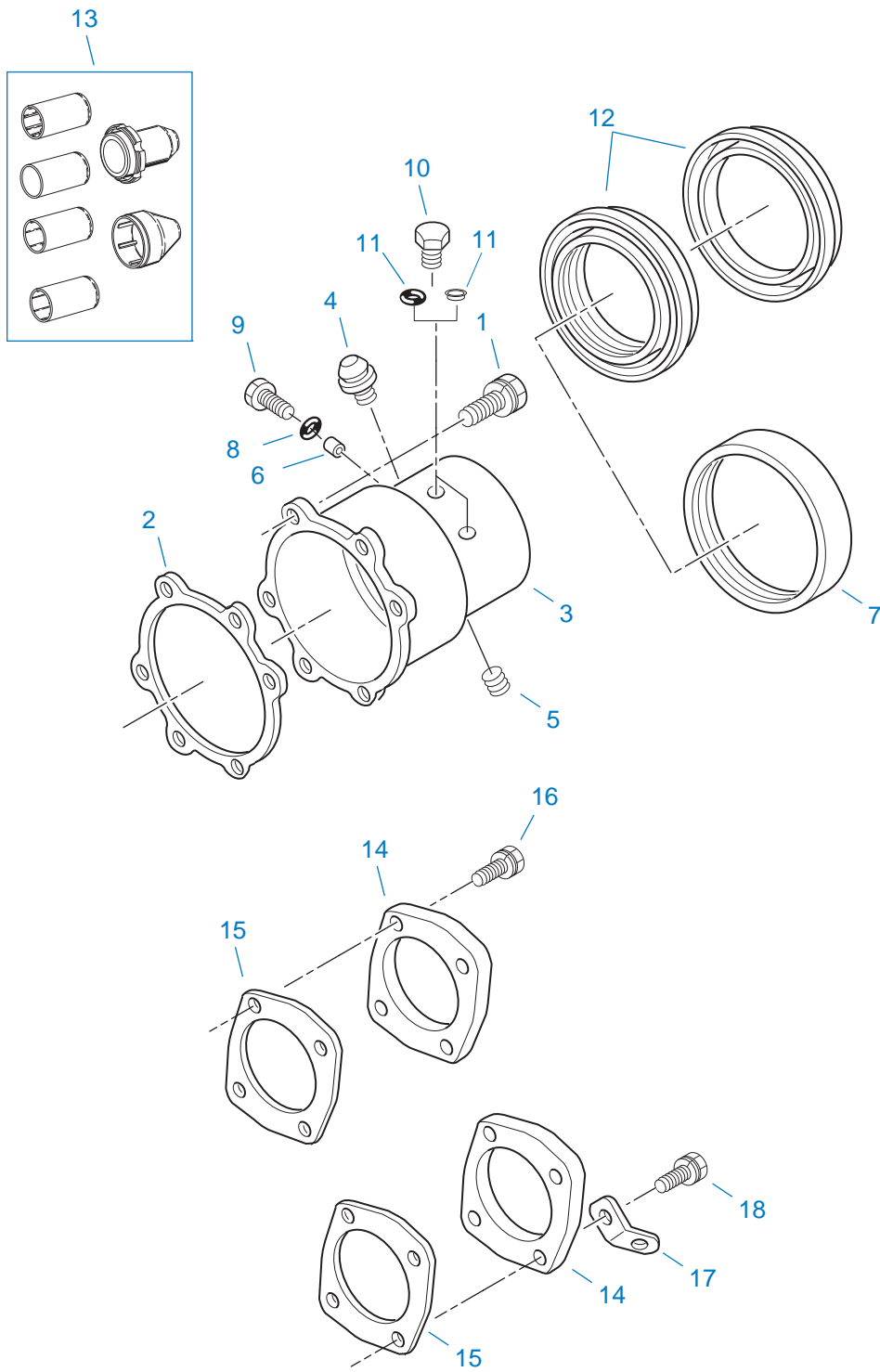
10435-1-95

OUTPUT SHAFT

Item	Current Part	Description	Replaced Part	Qty.	Notes	Kits/Assys Where Needed
15	16763	SNAP RING		1		K-1503,K-1873,K-1983,K-1984
16	14756	NO LONGER AVAILABLE		1		
16	18364	COUPLING OUTPUT SHAFT		1		
17	14754	NUT		1		K-1873,K-1983,K-1984
18	5566507-BOX	BEARING	5566504,5566507	1		K-1873,K-1983,K-1984
19	18363	OUTPUT SHAFT		1		
20	14735	RING		1		
21	14736	KEY		2		K-1503
22	X-7-506	BOLT		2	5-1/16"-24X1"	
23	X-7-503	BOLT		2	5/16"-24X5/8"	

Item	Current Part	Description	Replaced Part	Qty.	Notes	Kits/Assys Where Needed
24	81549	BEARING		1		K-1873,K-1983,K-1984
25	5946	WASHER		1		
26	20783	SPEEDOMETER ROTOR		1		
26	6162	SPACER		1	SPEEDO REPLACEMENT	
27	12128	NUT		1		

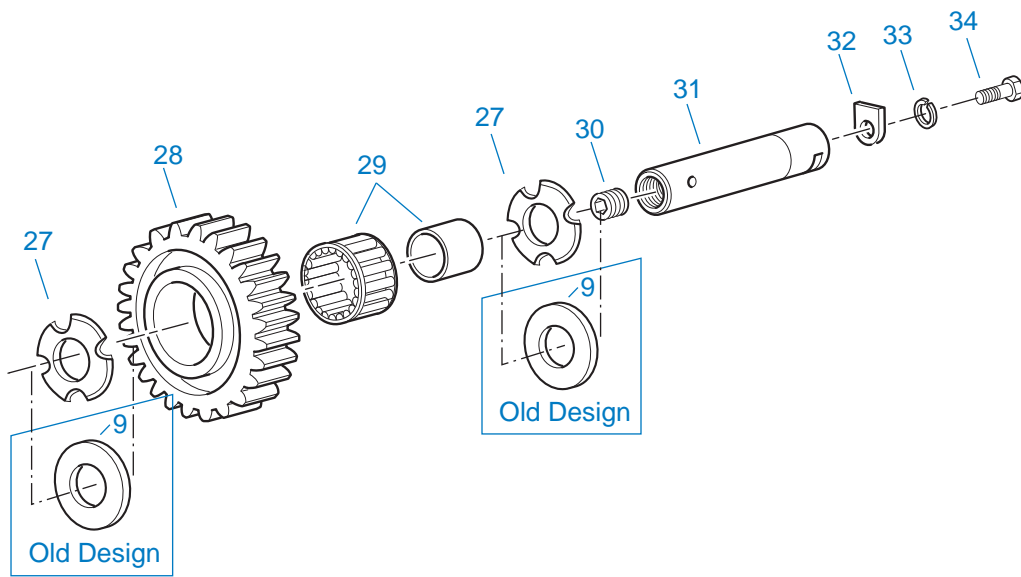
Group: REAR BEARING COVERS



10417-1-95

REAR BEARING COVERS

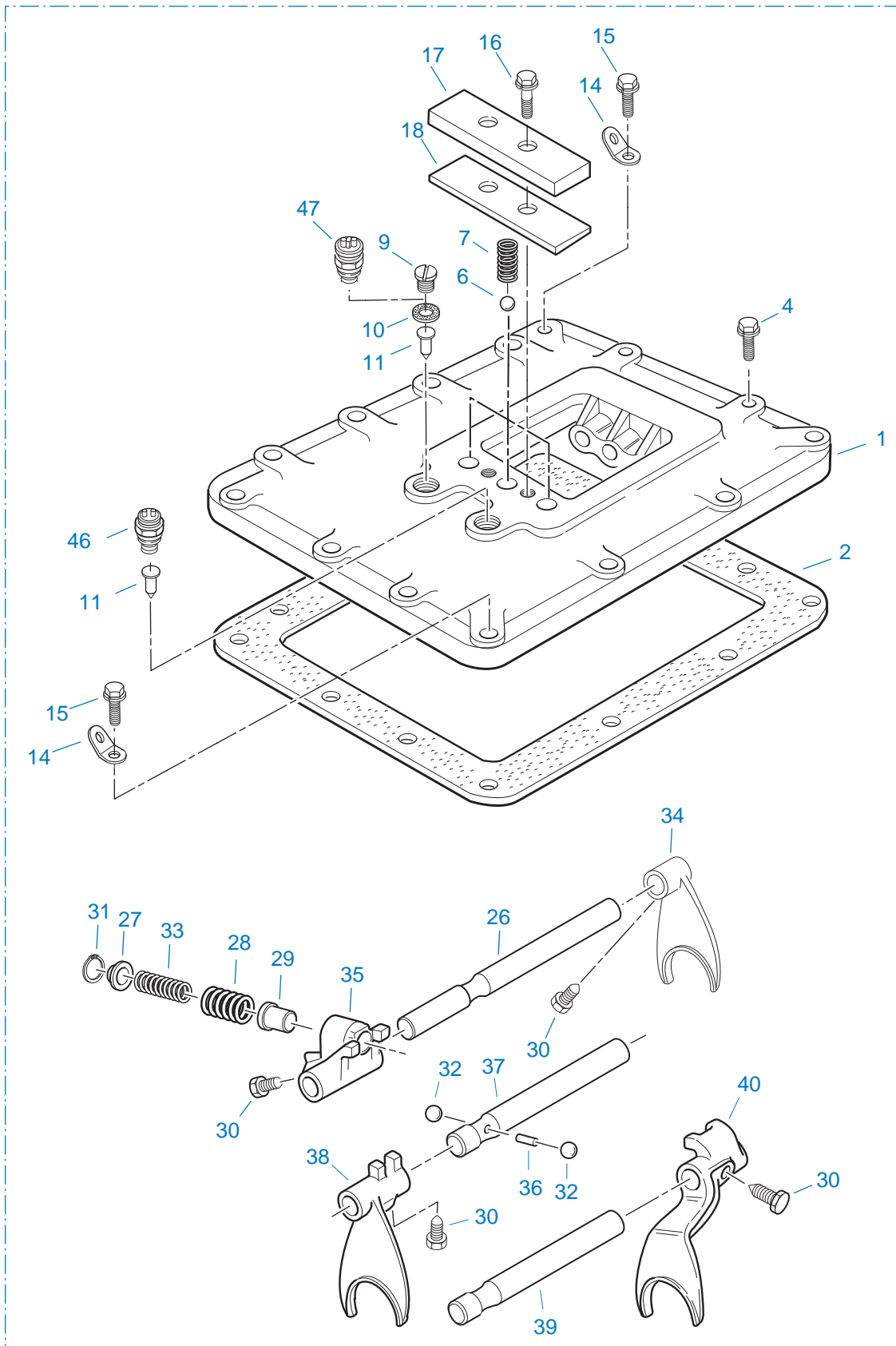
Item	Current Part	Description	Replaced Part	Qty.	Notes	Kits/Assys Where Needed
1	X-8L-604	CAPSCREW		6	3/8"-16X1-1/4"	
2	14724	GASKET		1		K-1782,S-2155
3	S-2155	REAR BRG COVER ASSY	14708 ,20811 ,21639 ,S - 1540	1		
4	7935	BREATHER		1		
5	X-12-201	PIPE PLUG		1	1/8"	
6	7992	BUSHING		1		S-2155
7	20920	OIL SEAL	15087	1	3-1/2" I.D.	K-1873,K-1983,K-1984,S-2155
8	14142	-O- RING		1		S-2155
9	20226	PLUG-MECHANICAL	2237	1		S-2155
10	20224	PLUG-MAGNETIC		2		S-2155
11	13679	-O- RING		1	USE W/OEM SUPPLIED ADJUSTABLE SPEEDOMETER SENSOR NOT TO BE USED WITH 4301954 SEAL	
11	20225	-O- RING		2	USE W/20224 PLUG OR OEM SUPPLIED NON-ADJUSTABLE SPEEDOMETER SENSOR NOT TO BE USED WITH 4301954 SEAL	
11	4301954	SENSOR SEAL		2	O-RING NOT REQUIRED	S-2155
12	K-2262	OIL SEAL W/SLINGER	19109 ,20807 ,20808	1	"FOR MECHANICAL COVER"	
13	K-3651	OIL SEAL TOOL KIT		1		
14	14717	NO LONGER AVAILABLE		2		
15	14718	GASKET		2		K-1782
16	X-8L-604	CAPSCREW		8	3/8"-16X1-1/4"	
17	20815	LIFTING EYE	17105	2		
18	X-8L-602	CAPSCREW		2	3/8"-16X1-1/2" USE W/20815 LIFTING EYES	



10389-1-95

REVERSE IDLER

Item	Current Part	Description	Replaced Part	Qty.	Notes	Kits/Assys Where Needed
9	14282	NO LONGER AVAILABLE		4		
27	4302982	WASHER	14282	4		
28	14719	NO LONGER AVAILABLE		2		
29	14287	BEARING	4305020	2		K-1873,K-1983,K-1984
30	X-12-205	PIPE PLUG		2	1/8"	
31	14707	NO LONGER AVAILABLE		2		
32	8270	LOCK		2		
33	X-3-503	LOCKWASHER		2	5/16"	
34	X-8-500	CAPSCREW		2	5/16"-18X3/4"	



999

11223-1-95

SHIFT BAR HOUSING (STD)

Item	Current Part	Description	Replaced Part	Qty.	Notes	Kits/Assys Where Needed
1	S-1432	NO LONGER AVAILABLE	19795	1	HOUSING ONLY	
2	15605	GASKET		1		K-1782
4	X-8L-604	CAPSCREW		13	3/8"-16X1-1/4 - OR USE 11 PCS OF X-8L-604 WITH 2 PCS OF X-8L-602	
6	X-14-800	STEEL BALL		3	1/2"	
7	1064	SPRING		3		K-1503,K-1983,K-1984
9	4303656	PLUG	15917	1		
10	15900	GASKET		1		
11	15899	PIN		2		
14	20815	LIFTING EYE	17105	2		
15	X-8L-602	CAPSCREW		2	3/8"-16X1-1/2" USE W/20815 LIFTING EYES	
16	X-8L-600	CAPSCREW		2	3/8"-16X1"	
17	15132	SPRING COVER		1		
18	15133	GASKET		1		K-1782
26	15909	YOKE BAR		1	1ST/REVERSE	
27	19792	RETAINER		1		
28	19791	SPRING		1		
29	19790	PLUNGER		1		
30	3220	LOCKSCREW		4		
31	19793	SNAP RING		1		
32	X-14-1200	STEEL BALL		2	3/4"	
33	19838	SPRING		1		
34	14824	NO LONGER AVAILABLE		1	1ST/REVERSE	
35	19789	NO LONGER AVAILABLE		1	1ST/REVERSE	
36	1634	INTERLOCK PIN		1		K-1503
37	14823	NO LONGER AVAILABLE		1	2ND/3RD	
38	14822	SHIFT YOKE		1	2ND/3RD	
39	14821	YOKE BAR		1	4TH OR OD/DIRECT	
40	14820	SHIFT YOKE		1	4TH OR OD/DIRECT	
46	22940	REVERSE LIGHT SWITCH	16830	1	SWITCH NORMALLY OPEN	

Item	Current Part	Description	Replaced Part	Qty.	Notes	Kits/Assys Where Needed
47	22941	NEUTRAL LIGHT SWITCH	12639	1	SWITCH NORMALLY CLOSED	
999	S-2131	NO LONGER AVAILABLE	19795	1	COMPLETE	

