



## Eaton Fuller T-11607A Transmission Parts Manual


This is Eaton Fuller T-11607A Transmission parts manual brought to you by Pro Gear and Transmission to assist you identifying the parts for your Eaton / Fuller transmission unit.


If you need any assistance identifying the correct Eaton / Fuller unit for your truck and equipment, contact your Eaton replacement parts specialists at Pro Gear and Transmission.


Pro Gear stocks every part for your Eaton transmission including: Valve Assemblies, Synchronizers, Yoke Assemblies, O-Ring Kits, Drive Gears, Gaskets, Bearing and Seal Kits, and much more.


Pro Gear and Transmission has same day shipping and thousands of products in stock and ready to ship internationally for your next project.

For parts or service contact the Eaton transmission specialists at Pro Gear & Transmission, Inc.

 CALL US

 EMAIL US

 VISIT MODEL PAGE

 VISIT ONLINE STORE



**Roadranger®**

More time on the road®

# Illustrated Parts List

---

**T-11607A**

**November 2012**

# Contents

How To Use The Illustrated Parts List .....	3
AFTERMARKET TRANSMISSIONS.....	4
C/S & BRGS(AUX)EXTENDED.....	5
CASE (AUX) .....	6
CASE (FRONT) .....	8
COUNTERSHAFT & BRGS(AUX) .....	11
COUNTERSHAFT ASSY.....	12
INPUT SHAFT & DRIVE GEAR .....	14
ISOLATORS .....	16
KITS & ASSEMBLIES .....	17
LEVERS/HOUSINGS.....	18
MAINSHAFT ASSY .....	21
MISCELLANEOUS.....	24
REVERSE IDLER .....	25
SHIFT BAR HSG (STD-NEW).....	28
SHIFT BAR HSG (STD-OLD).....	32

## How To Use The Illustrated Parts List

The information contained in this document is subject to frequent updates. Therefore, for the latest information available, please visit the interactive Electronic Parts Catalog at [www.roadranger.com/epc](http://www.roadranger.com/epc).

### Model Designation or Nomenclature

- For information regarding Model Designation and Nomenclature, visit [www.roadranger.com](http://www.roadranger.com).

### Kits and Assemblies (K/A's)

- Kits and Assemblies contain groups of individual or assembled parts developed for optimal replacement or repair of a service problem.
- Kits and Assemblies are shown with applicable parts groupings in the parts listings.

### Identifying Kits and Assemblies

A- Part numbers beginning with the letter 'A' are pre-assembled Production Assemblies

K- Part numbers beginning with the letter 'K' are kits that are not assembled

S- Part numbers beginning with the letter 'S' are pre-assembled Service Assemblies

- Note: Some Production Assemblies do not begin with a letter prefix (Midrange only).

### Illustrations

- Illustrations show parts in assembly groups.
- Item numbers on illustrations correspond with parts listings on pages adjacent to the illustration.
- Notes are included on illustrations where additional information is needed.

### Parts Listing

Parts listings are defined by parts groupings and are broken down by service assemblies. Parts listings identify a part for servicing with the following categories

- **Item Number** - corresponding with numbers on illustrations for part identification.
- **Current Part** - identifies part as it is available for service.
- **Description** - specifies part name or description.
- **Replaced Part** - quantity quantity required for assembly.
- **Quantity** - defines unique characteristics or requirements.
- **Notes** - indicates Kits or Assemblies that contain a particular part.
- **Kits/Assy's Where Used**



BACKED BY  
**Roadranger**  
SUPPORT



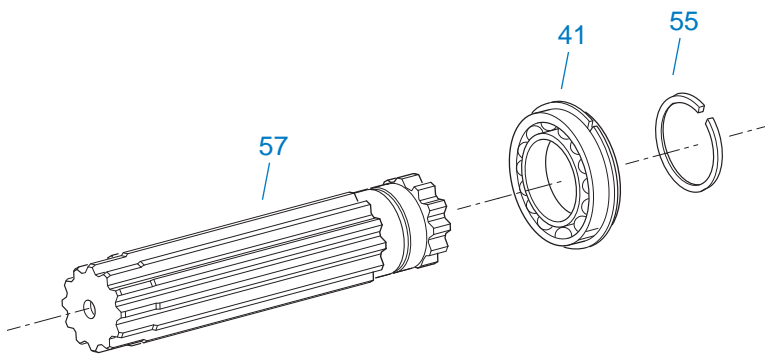
Reman Transmission

AFTMKT 09-12

Generic Illustration - Not specific to part numbers listed below

### AFTERMARKET TRANSMISSIONS

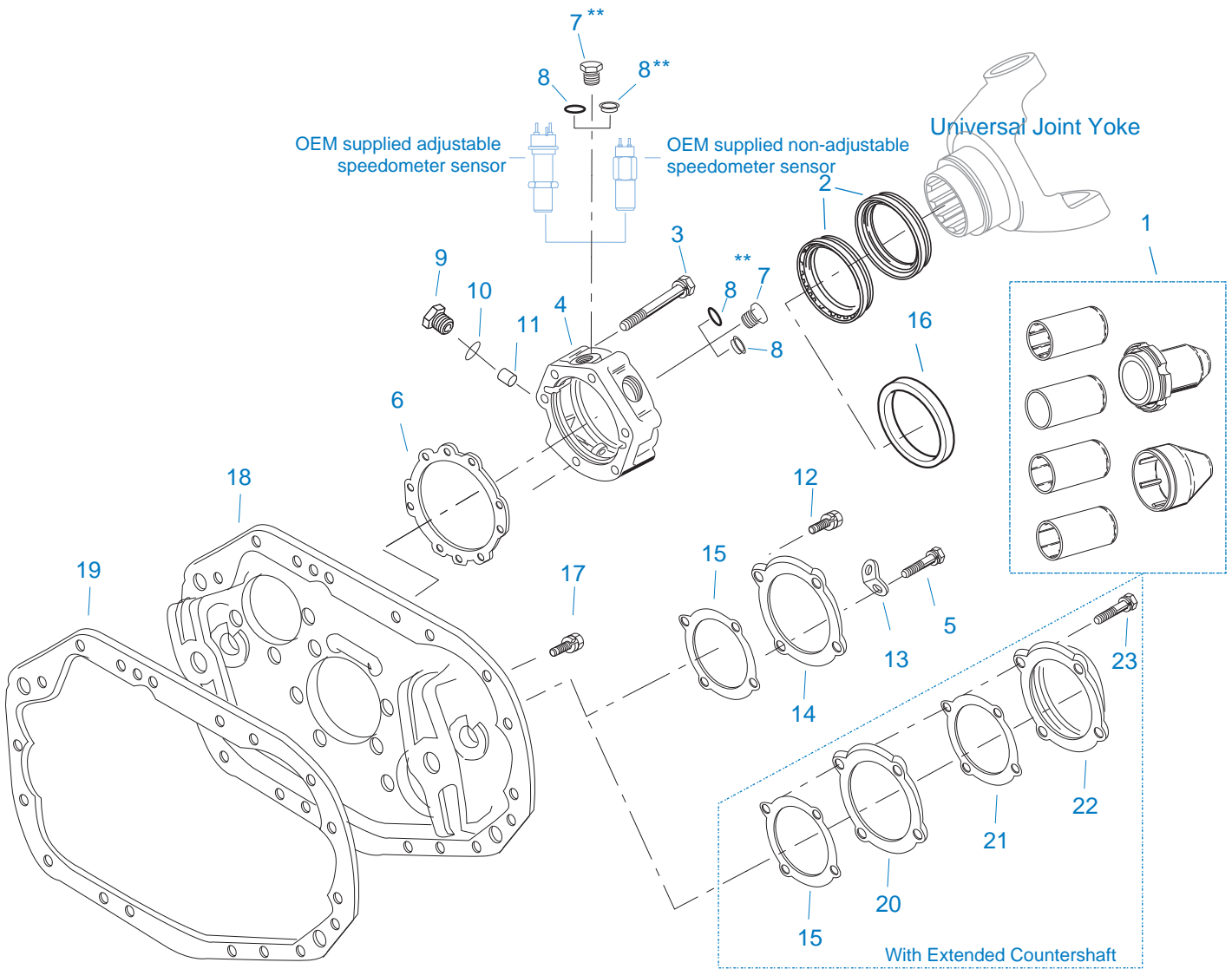
Item	Current Part	Description	Replaced Part	Qty.	Notes	Kits/Assys Where Needed
	TA-975-11R	T-11607A REMAN TRANS		1	NO INTERNAL PUMP	



10452A-11-94 AEC7

### C/S & BRGS(AUX)EXTENDED

Item	Current Part	Description	Replaced Part	Qty.	Notes	Kits/Assys Where Needed
41	81058	BEARING		2		K-1982,K-2771
55	15253	SNAP RING		2		K-1807,K-1982,K-2771
57	20047	NO LONGER AVAILABLE		2		



\*\* Note — Items 7 & 8 / Magnetic Speedometer Openings:  
 Use 13679 "O" ring w/ OEM supplied adjustable speedometer sensor  
 and 20225 "O" ring w/ OEM supplied non-adjustable speedometer sensor or Eaton part #20224 Plug

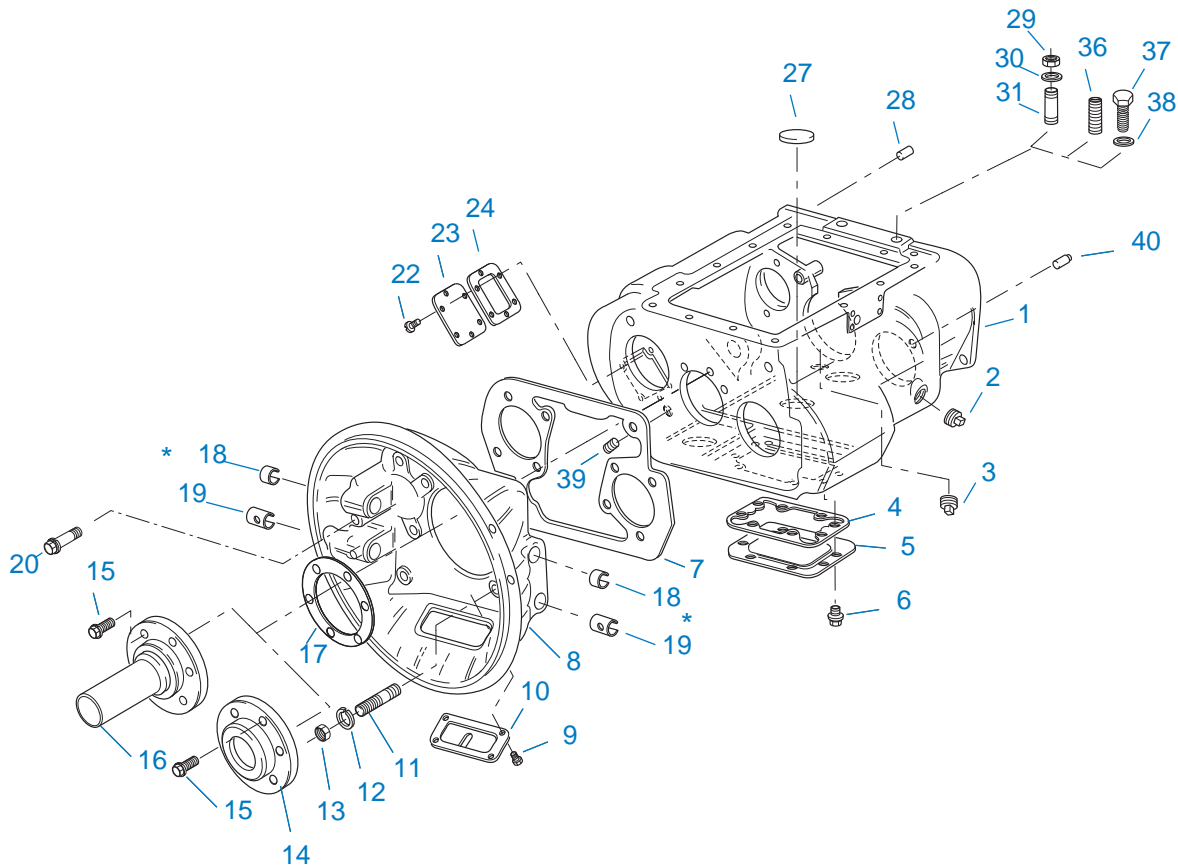
10412-6-94 Aux Case

## CASE (AUX)

Item	Current Part	Description	Replaced Part	Qty.	Notes	Kits/Assys Where Needed
1	K-3651	OIL SEAL TOOL KIT		1		
2	K-2262	OIL SEAL W/SLINGER	19109 20807 ,20808	1	"FOR MECHANICAL COVER"	K-2771
3	X-8L-611	CAPSCREW		6	3/8"-16X3-1/4" - USE W/S-2204 COVER	
3	X-8L-631	CAPSCREW	X 8 631	6	3/8"-16X3-1/2" - USE W/S-2142 COVER	
4	S-2142	REAR BRG COVER ASSY	22050 ,22742 ,S - 1564	1	EXTENDED	

Item	Current Part	Description	Replaced Part	Qty.	Notes	Kits/Assys Where Needed
4	S-2204	NO LONGER AVAILABLE	21678 ,S - 1537	1		
5	X-8L-609	CAPSCREW		2	3/8"-16X1-3/4" USE W/20815 LIFTING EYES	
6	20817	GASKET		1		K-1846,S-2142
7	20224	PLUG-MAGNETIC		2		S-2142
8	13679	-O- RING		1	USE W/OEM SUPPLIED ADJUSTABLE SPEEDOMETER SENSOR NOT TO BE USED WITH 4301954 SEAL	
8	20225	-O- RING		2	USE W/20224 PLUG OR OEM SUPPLIED NON-ADJUSTABLE SPEEDOMETER SENSOR NOT TO BE USED WITH 4301954 SEAL	
8	4301954	SENSOR SEAL		2	O-RING NOT REQUIRED	S-2142
9	20226	PLUG-MECHANICAL	2237	1		S-2142
10	14142	-O- RING		1		S-2142
11	7992	BUSHING		1		S-2142
12	X-8L-602	CAPSCREW		6	3/8"-16X1-1/2"	
13	20815	LIFTING EYE	17105	2		
14	20036	COVER		2		
15	20037	GASKET		2		K-1846
16	K-2262	OIL SEAL W/SLINGER	19109 20807 ,20808	1	"FOR MECHANICAL COVER"	K-2771
17	X-8L-602	CAPSCREW		11	3/8"-16X1-1/2" USE 11 PCS W/20124 HOUSING USE 10 PCS W/21013 (K-2008) HOUSING	
17	X-8L-614	CAPSCREW		7	3/8"-16X2" USE 6 PCS W/20124 HOUSING USE 7 PCS W/21013 (K-2008) HOUSING	
18	K-2008	NO LONGER AVAILABLE	20124 ,21013	1		
19	20126	GASKET		1		K-1846
20	20040	ADAPTER		1		
21	19977	GASKET		1		K-1846
22	19975	COVER		1		
23	X-8L-609	CAPSCREW		4	3/8"-16X1-3/4"	





10309-11-94 T7

\* Bushing quantity requirements: #1 Housing – Upper bore use 4 #12815 / Lower bore use 2 #8677.

#2 Housing – Upper bore use 2 #12815 and 1 #8677 / Lower bore use 2 #8677.

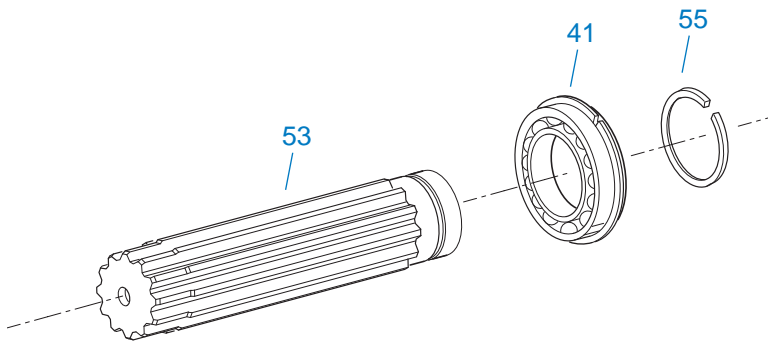
Note: Some part requirements are specific to #1 or #2 Aluminum or Iron Clutch Housings and Push or Pull type Clutch.

## CASE (FRONT)

Item	Current Part	Description	Replaced Part	Qty.	Notes	Kits/Assys Where Needed
1	S-1430	CASE ASSY	20122	1		
2	X-12-2007	PIPE PLUG	X12 2006	1		
3	X-12-1207	PIPE PLUG	X12 1202 ,X12 1206	1	3/4" MAGNETIC	
4	4305310	GASKET	4302810	1		K-1846
5	4302809	PTO COVER	16596 ,4300571	1		
6	X-8-725	CAPSCREW	X 8 724	8	7/16"-14X7/8"	
7	4306584	CLUTCH HOUSING GASKET	4304815,4305668	1		K-1846
8	A-3713	CLUTCH HOUSING ASSY	A - 3700	1	#1 PUSH-PULL IRON	
8	A-3723	CLUTCH HOUSING ASSY	A - 3721 ,A - 3722	1	#2 PUSH-PULL IRON	
8	A-4772	CLUTCH HOUSING ASSY	A - 4344 ,A - 4771	1	#2 PUSH-PULL ALUM.	

Item	Current Part	Description	Replaced Part	Qty.	Notes	Kits/Assys Where Needed
8	A-6064	CLUTCH HOUSING ASSY	A - 4342 ,A - 4770 ,A - 6062 ,A - 6063 ,A - 6065	1	#1 PUSH-PULL ALUM.	
9	239614	SCREW	X-8L-509	4	5/16-18X.81 QUANTITY DEPENDENT ON DESIGN	
10	14506	HAND HOLE COVER		1	#2 PUSH	
10	14507	HAND HOLE COVER		1	#2 PULL	
10	4305230	HAND HOLE COVER	11453	1	#1 PULL	
10	4305231	HAND HOLE COVER	1565	1	#1 PUSH	
11	4306583	STUD	5966	6		
12	X-10-1005	WASHER	X 3 1000 ,X10 1000 ,X10 1004	6	1.23 X 6.60	
13	X-1-1012	HEX NUT	X-1-1005	6	.625-18	
14	15111	FRONT BRG. COVER		1	2" PULL	
14	20550	FRONT BRG COVER		1	2" PULL	K-1982
14	20552	FRONT BRG COVER		1	1-3/4" PULL	
15	X-8L-604	CAPSCREW		6	3/8"-16X1-1/4" USE 6 PCS WITH PULL TYPE COVER USE 4 PCS WITH PUSH TYPE COVER	
15	X-8L-619	CAPSCREW		2	3/8"-16X1-1/4" - USE WITH PUSH TYPE COVER	
16	20551	FRONT BRG. COVER		1	1-3/4" PUSH	
17	14311	GASKET		1		K-1846
18	12815	BUSHING		4	FOR #1 HOUSING - UPPER	A-3713,A-3723,A-4772,A-6064
18	12815	BUSHING		2	FOR #2 HOUSING - UPPER	A-3713,A-3723,A-4772,A-6064
18	8677	BUSHING		1	FOR #2 HOUSING - UPPER	A-3713,A-3723,A-4772,A-6064
19	8677	BUSHING		3	FOR #1 AND #2 HOUSING - LOWER	A-3713,A-3723,A-4772,A-6064
20	X-8C-830	HEX HEAD SCREW/WASHER ASSY	X-8C-826	4	.500-13 X 1.490, USE 2 PCS FOR IRON HOUSING, USE 4 PCS FOR ALUMINUM HOUSING	
20	X-8C-831	HEX HEAD SCREW/WASHER ASSY	X-8C-822	2	.500-13 X 3.460, FOR IRON HOUSING	
22	X-8-686	CAPSCREW		6	3/8"-16X3/4"	
23	14575	PTO COVER	4302254	1		
24	4305309	GASKET	1684	1		K-1846

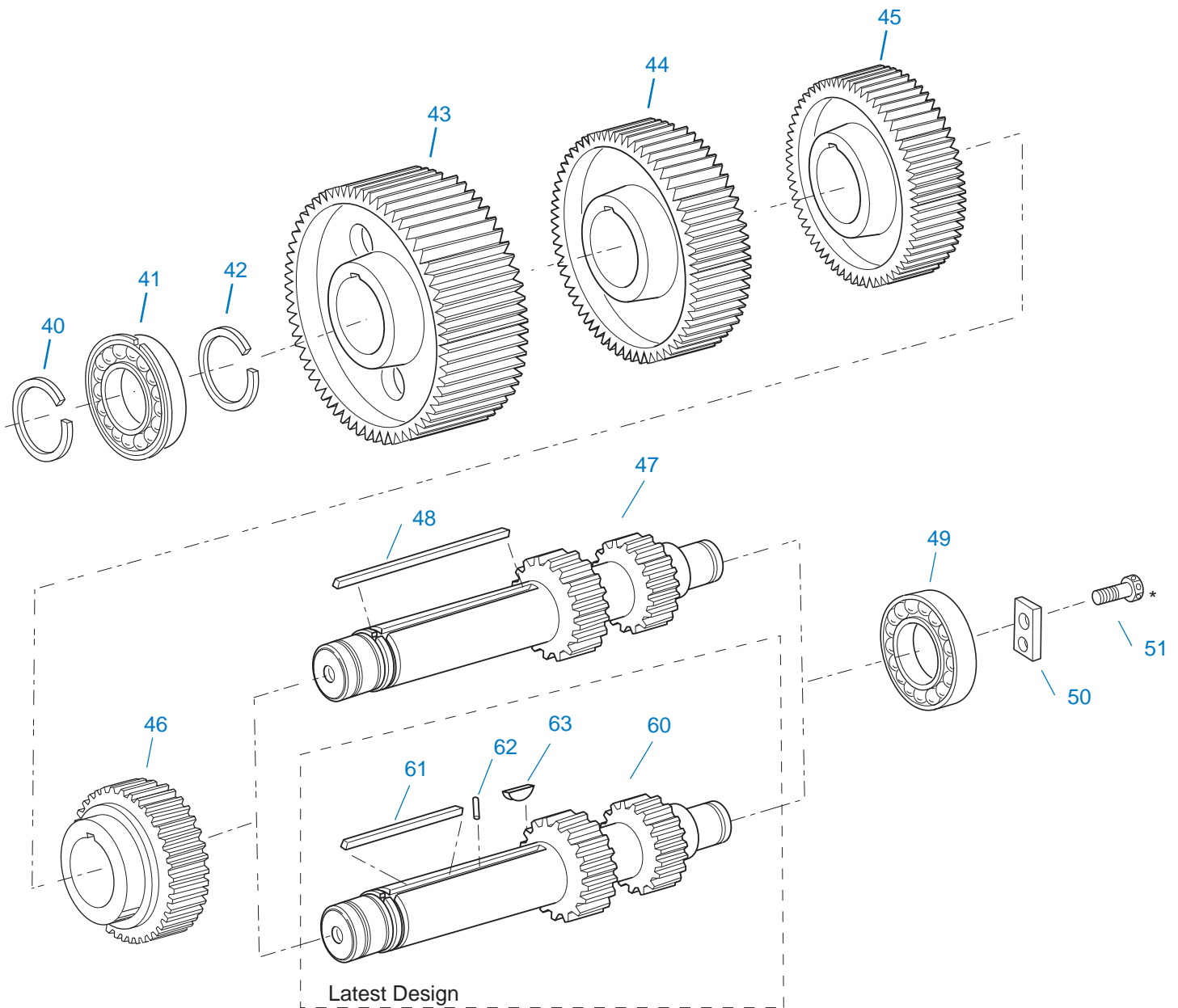
Item	Current Part	Description	Replaced Part	Qty.	Notes	Kits/Assys Where Needed
27	14373	MAGNET		3		S-1430
28	14334	DOWEL		2		
29	X-1-1012	HEX NUT		2	.625-18	
30	X-10-1005	WASHER	X 3 1000 ,X10 1000 ,X10 1004	2	1.23 X 6.60	
31	14554	STUD	1632 ,6579	2	5/8" X 2-3/16"	
36	23104	PLUG	1712	2		
37	X-8-1005	CAPSCREW		2	5/8"-11X1-1/4"	
38	20814	SPACER		2		
39	X-12-802	PIPE PLUG	X12 800	1	1/2"	
40	62515	ROLL PIN		1		



10451A-11-94 AC7

### COUNTERSHAFT & BRGS(AUX)

Item	Current Part	Description	Replaced Part	Qty.	Notes	Kits/Assys Where Needed
41	81058	BEARING		2		K-1982,K-2771
53	20046	COUNTERSHAFT		2		
55	15253	SNAP RING		2		K-1807,K-1982,K-2771



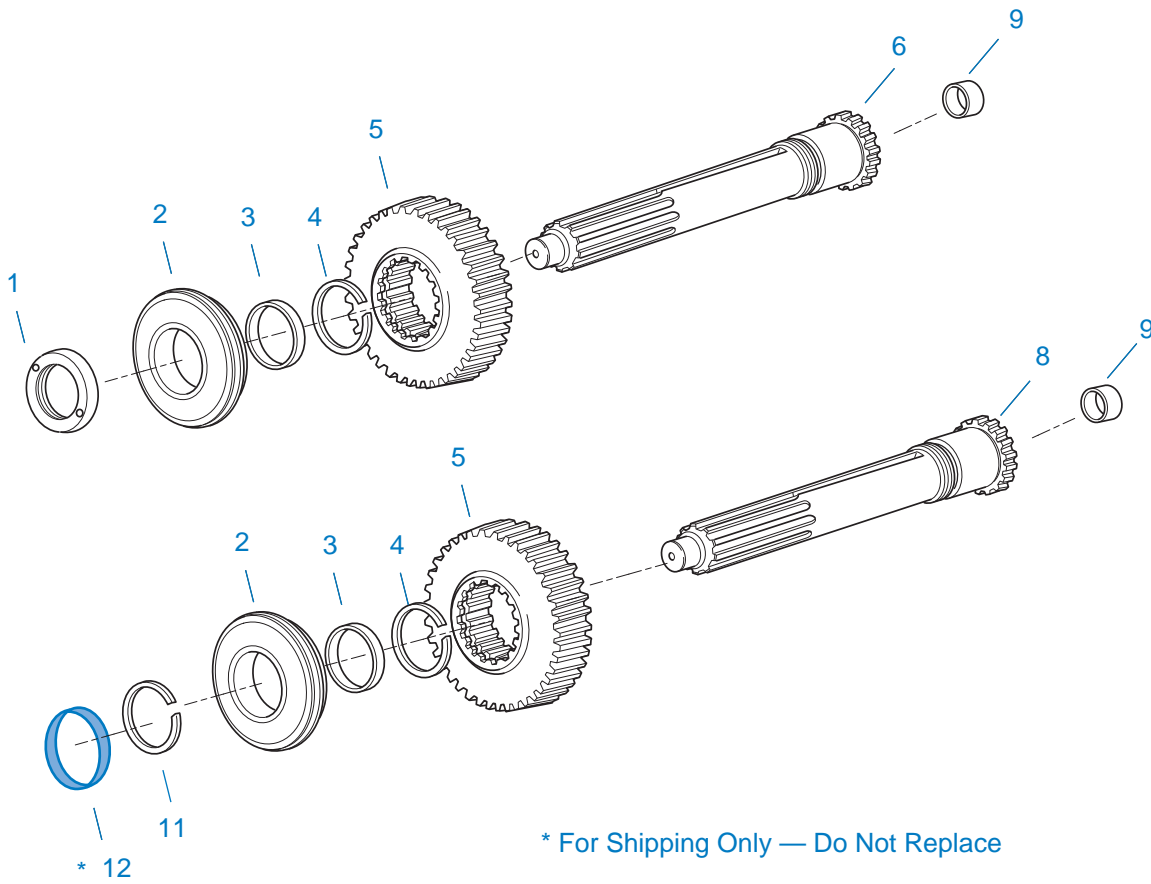
10357-1-95

\* Use lock wire at this position.

## COUNTERSHAFT ASSY

Item	Current Part	Description	Replaced Part	Qty.	Notes	Kits/Assys Where Needed
40	15253	SNAP RING		2		K-1807,K-1982,K-2771
41	81058	BEARING		2		K-1982,K-2771
42	20085	SNAP RING		2		K-1807
43	20044	NO LONGER AVAILABLE		2		
44	19311	NO LONGER AVAILABLE		2		

Item	Current Part	Description	Replaced Part	Qty.	Notes	Kits/Assys Where Needed
45	19928	NO LONGER AVAILABLE		2		
46	20089	NO LONGER AVAILABLE		2		
47	K-2006	NO LONGER AVAILABLE	A - 4815	2		
48	19938	KEY		2		
49	4303921	BEARING	81059	2		K-1982,K-2771
50	19919	RETAINER		4		
51	X-8-645	CAPSCREW	X 8 612	4	3/8"-16X1"	
60	20990	NO LONGER AVAILABLE		2		
61	20991	NO LONGER AVAILABLE		2		
62	62511	ROLL PIN		2		
63	X-6-D	KEY		2		



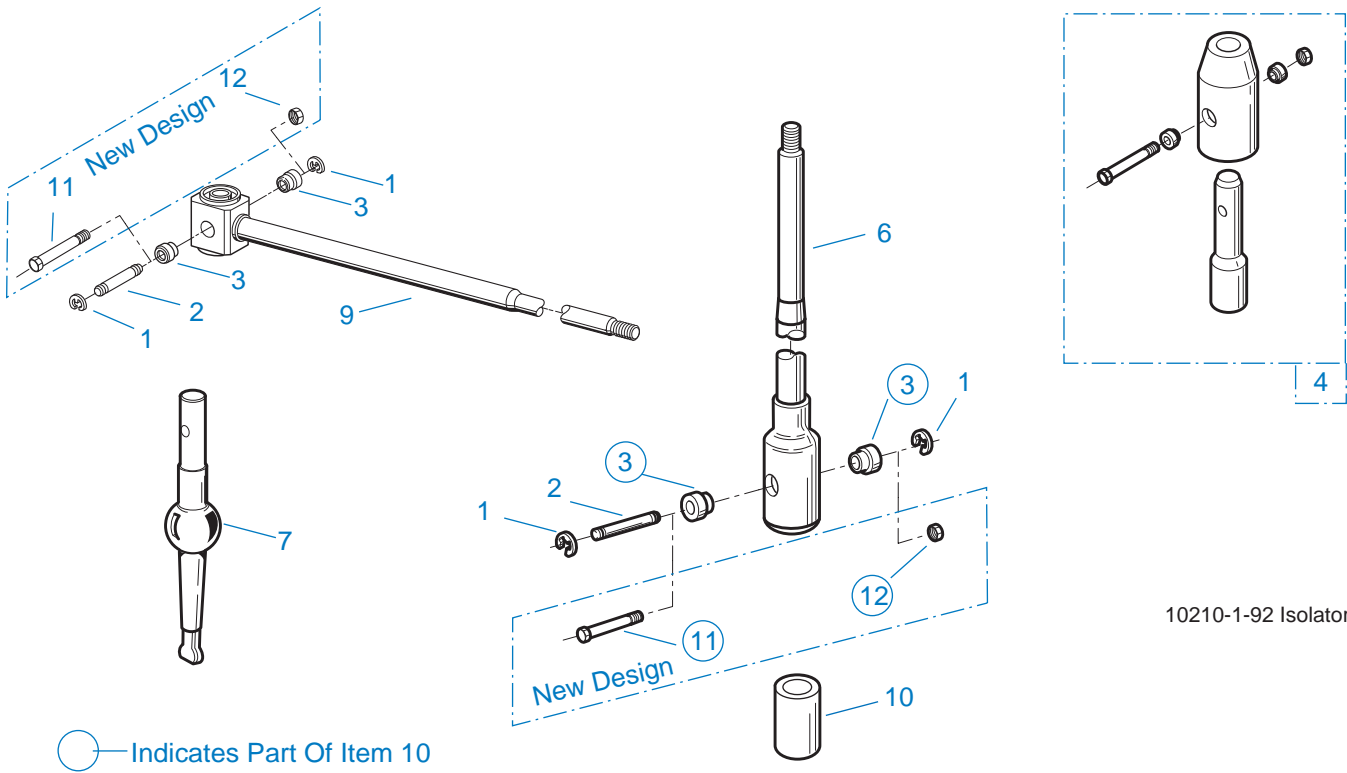
10375-1-95

## INPUT SHAFT & DRIVE GEAR

Item	Current Part	Description	Replaced Part	Qty.	Notes	Kits/Assys Where Needed
1	8997	NUT		1	PULL	
2	81504	BEARING		1		K-1982,K-2771
3	16396	SPACER		1		
4	14289	SNAP RING		1		K-1807,K-1982,K-2771
5	19308	NO LONGER AVAILABLE		1		
6	15110	INPUT SHAFT		1	2" PULL - USE W/FBC 15111	S-1517
8	S-2838	INPUT SHAFT ASSY	23569 691518	1	2" PULL	K-1982
8	S-2916	INPUT SHAFT ASSY	20530 ,4304354	1	1-3/4" PUSH	
8	S-2917	INPUT SHAFT ASSY	20531 ,4304355	1	1-3/4" PULL	
9	20171	BUSHING		1		K-2771,S-1517,S-2838,S-2916,S-2917
11	16980	SNAP RING		1		K-1982

Item	Current Part	Description	Replaced Part	Qty.	Notes	Kits/Assys Where Needed
12	23559	SEAL		1	NOT SOLD FOR SERVICE	





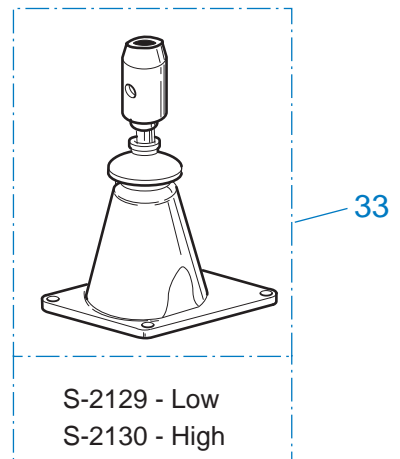
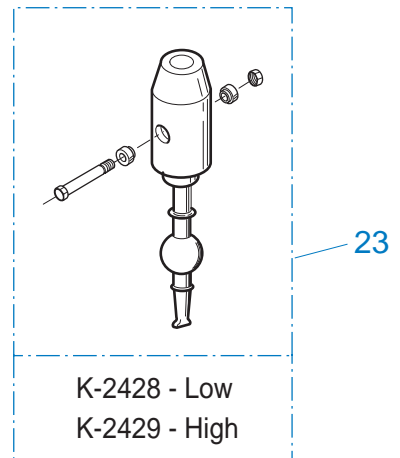
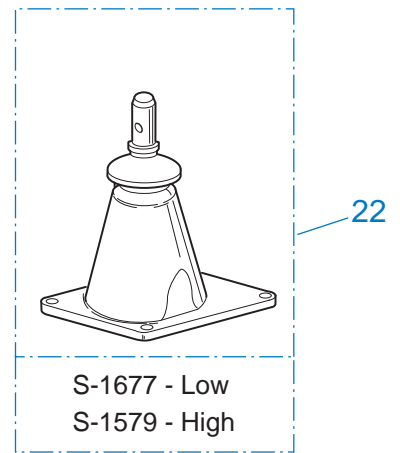
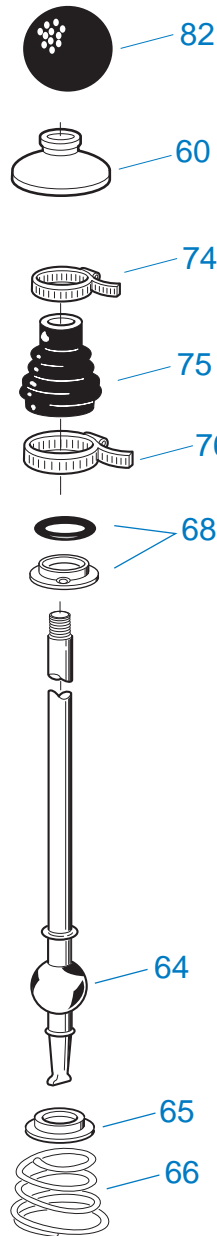
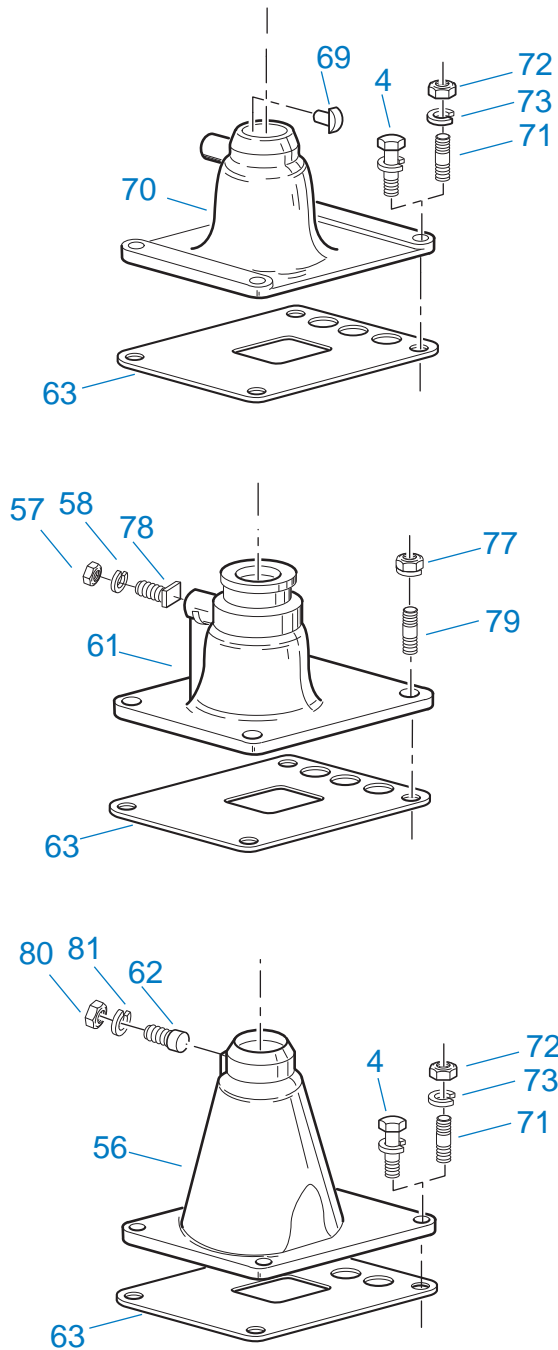
10210-1-92 Isolator

## ISOLATORS

Item	Current Part	Description	Replaced Part	Qty.	Notes	Kits/Assys Where Needed
1	19124	-E- RING		2		
2	K-3467	PIN REPLACEMENT KIT	21245	1		
3	21246	BUSHING		2		K-2003,K-2428,K-2429,K-3399,S-2129,S-2130
4	S-1794	ISOLATOR ASSY		1		
6	21247	LEVER		1	STRAIGHT 18.67"	
7	21235	STUB LEVER		1	LOW TOWER	K-2428,S-1677
7	21236	STUB LEVER		1	HIGH TOWER	K-2429,S-1579,S-2130
9	21767	90 DEG LEVER		1	STRAIGHT 33"	
10	K-3399	ISOLATOR BUSHING KIT	21244 ,23311	1		
11	X-8-560	SCREW		1		K-2003
12	X-9-503	NUT		1		K-2003

## KITS & ASSEMBLIES

Item	Current Part	Description	Replaced Part	Qty.	Notes	Kits/Assys Where Needed
K-1476		SHIFT LEVER HSG	4530 ,17163 ,18298 ,4304905 ,A - 4437	1	LOW TOWER	
K-1631		SHIFT LEVER HSG	14456 ,17168 ,4304327	1	LOW	
K-1807		SMALL PARTS KIT		1		
K-1846		GASKET KIT		1		K-1982,K-2771
K-1982		BASIC OVERHAUL KIT	K - 1970	1		
K-2003		PIN & BUSHING KIT		1		
K-2256		OIL SEAL KIT	14337 ,19109 ,21036	1		
K-2262		OIL SEAL W/SLINGER	19109 20807 ,20808	1	"FOR MECHANICAL COVER"	K-2771
K-2428		LEVER REPLACEMENT KIT		1	LOW TOWER	
K-2429		LEVER REPLACEMENT KIT		1	HIGH TOWER	
K-2771		BASIC REBUILD KIT	K - 1878	1		
K-2973		SHIFT LEVER HSG KIT	17166 ,17167 ,4303050 ,4304910 ,K - 1630 K - 1941	1	HIGH TOWER	
K-3399		ISOLATOR BUSHING KIT	21244 ,23311	1		
K-3467		PIN REPLACEMENT KIT	21245	1		
K-3651		OIL SEAL TOOL KIT		1		
S-1430		CASE ASSY	20122	1		
S-1517		INPUT SHAFT ASSY	15110	1		
S-1794		ISOLATOR ASSY		1		
S-2129		SHIFT LEVER HSG ASSY		1	LOW TOWER	
S-2130		SHIFT LEVER HSG ASSY	S - 2053	1	HIGH TOWER	
S-2142		REAR BRG COVER ASSY	22050 ,22742 ,S - 1564	1	EXTENDED	
S-2732		SHIFT BAR HOUSING ASSY	23585	1	HOUSING ONLY	
S-2733		SHIFT BAR HSG ASSY (STD)	20526 ,23585	1	COMPLETE (STD)	
S-2838		INPUT SHAFT ASSY	23569 691518	1	2" PULL	K-1982



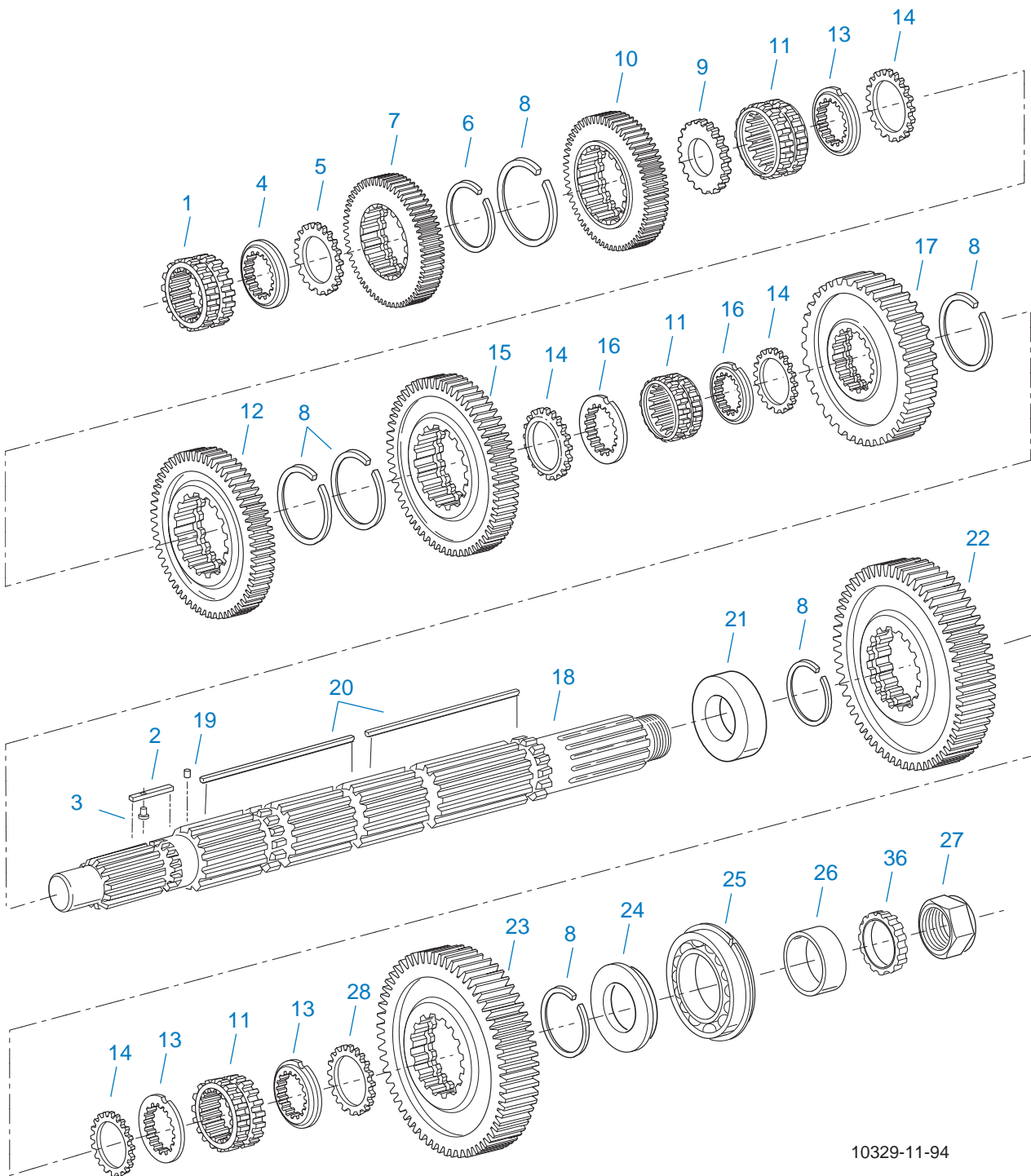
10203-6-94

## LEVERS/HOUSINGS

Item	Current Part	Description	Replaced Part	Qty.	Notes	Kits/Assys Where Needed
4	X-8C-604	CAPSCREW		4	3/8"-16X1-1/4"	
23	K-2428	LEVER REPLACEMENT KIT		1	LOW TOWER	

Item	Current Part	Description	Replaced Part	Qty.	Notes	Kits/Assys Where Needed
23	K-2429	LEVER REPLACEMENT KIT		1	HIGH TOWER	
24	S-1579	SHIFT TOWER ASSY		1	HIGH TOWER	
24	S-1677	SHIFT TOWER ASSY		1	LOW TOWER	
33	S-2129	SHIFT LEVER HSG ASSY		1	LOW TOWER	
33	S-2130	SHIFT LEVER HSG ASSY	S - 2053	1	HIGH TOWER	
56	K-2973	SHIFT LEVER HSG KIT	17166 ,17167 ,4303050 ,4304910 ,K - 1630 K - 1941	1	HIGH TOWER	
57	X-1-500	NUT		1	5/16"-24	
58	X-3-500	LOCKWASHER		1	5/16"	
60	10427	BOOT		1		K-1476,K-2973,S-1579,S-1677,S-2130
61	K-1631	SHIFT LEVER HSG	14456 ,17168 ,4304327	1	LOW, USE W/14795 BOOT	
62	6541	PIN		1	3/8"	
63	4305294	GASKET	4303431	1		K-1476,K-1631,K-1846,K-2428,K-2429,K-2973,S-1579,S-1677,S-2129,S-2130
64	17600	GEAR SHIFT LEVER		1	STRAIGHT - LOW 21-1/2"	
64	18482	GEAR SHIFT LEVER		1	STRAIGHT - HIGH 35"	
65	2538	RETAINER		1		K-1476,K-2973,S-1579,S-1677,S-2130
66	2536	SPRING		1		K-1476,K-2973,S-1579,S-1677,S-2130
68	K-3376	O-RING & WASHER KIT	4301211	1		
69	18299	PIN		1		K-1476,S-1677
70	K-1476	SHIFT LEVER HSG	4530 ,17163 ,18298 ,4304905 ,A - 4437	1	LOW TOWER	
71	11934	STUD	7467	4		
72	X-1-600	NUT		4	3/8"-24-N.F.PLAIN	
73	X-3-600	LOCKWASHER		4	3/8"	
74	14453	CLAMP		1		
75	14795	BOOT		1		
76	14454	CLAMP		1		
77	X-1-604	NUT		4	3/8"-24	

Item	Current Part	Description	Replaced Part	Qty.	Notes	Kits/Assys Where Needed
78	14461	PIN		1		
79	14236	NO LONGER AVAILABLE		4		
80	X-1-600	NUT		1	3/8"-24-N.F.PLAIN	
81	X-3-600	LOCKWASHER		1	3/8"	
82	17560	LEVER GRIP		1	1/2"-13	



10329-11-94

### MAINSHAFT ASSY

Item	Current Part	Description	Replaced Part	Qty.	Notes	Kits/Assys Where Needed
1	18747	SLIDING CLUTCH		1		K-1982
2	A-5093	KEY & PIN ASSY	21129	1		K-1807
3	14832	PIN		1		A-5093

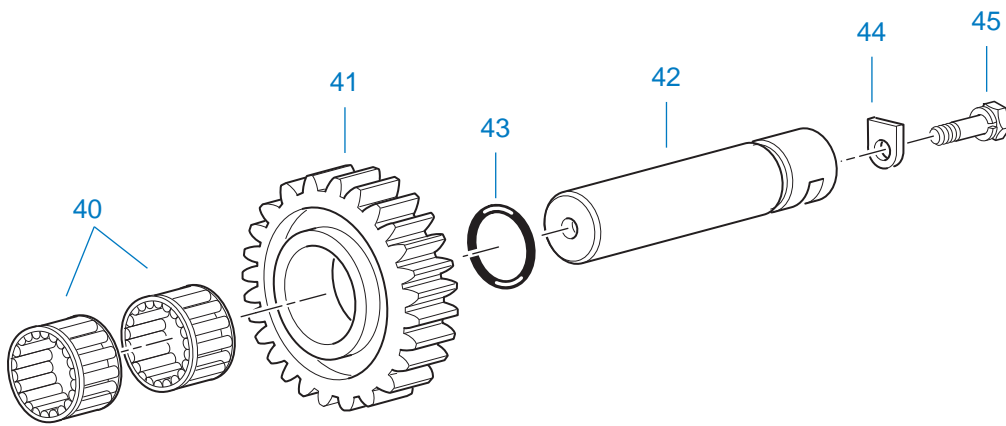
Item	Current Part	Description	Replaced Part	Qty.	Notes	Kits/Assys Where Needed
4	14274	WASHER .248-.250 WHITE	18717	1		
4	14276	WASHER .258-.260 ORANGE	18719	1		
4	14277	WASHER .263-.265 PURPLE	18720	1		
4	14278	WASHER .268-.270 YELLOW	18721	1		
4	14279	WASHER .273-.275 BLACK	18722	1		
4	4300512	WASHER .253-.255 GREEN	14275 18718	1		K-1807
5	14273	SPACER		1		K-1807
6	14289	SNAP RING		1		K-1807,K-1982,K-2771
7	19309	NO LONGER AVAILABLE		1		
8	16798	SNAP RING		6		K-1807,K-1982,K-2771
9	18317	SPACER		1		
10	19927	NO LONGER AVAILABLE		1		
11	19910	SLIDING CLUTCH	18316	3		
12	20088	NO LONGER AVAILABLE		1		
13	19911	WASHER .248-.250 WHITE	18334	3		K-1807
13	19912	WASHER .253-.255 GREEN	18335	3		K-1807
13	19913	WASHER .258-.260 ORANGE	18336	3		
13	19914	WASHER .263-.265 PURPLE	18337	3		
13	19915	WASHER .268-.270 YELLOW	18338	3		
13	19916	WASHER .273-.275 BLACK	18339	3		
13	20011	WASHER .243-.245 WHT/RED		3		
14	4303199	SPACER	18318	4		
15	19923	NO LONGER AVAILABLE		1		
16	19911	WASHER .248-.250 WHITE	18334	2		K-1807

Item	Current Part	Description	Replaced Part	Qty.	Notes	Kits/Assys Where Needed
17	19922	NO LONGER AVAILABLE		1		
18	S-1431	NO LONGER AVAILABLE	19908	1		
19	62504	ROLL PIN		1		S-1431
20	19909	KEY		2		
21	19921	SPACER		1		
22	20050	NO LONGER AVAILABLE		1		
23	20048	REVERSE GEAR- MAINSHAFT		1		
24	20062	WASHER		1		K-1807
25	81567- BOX	BEARING	81567	1		K-1982,K-2771
26	20064	SPACER		1		
27	22254	NUT	11956	1		
28	4303199	SPACER	18318	1		
36	20192	ROTOR		1		



## MISCELLANEOUS

Item	Current Part	Description	Replaced Part	Qty.	Notes	Kits/Assys Where Needed
	19958	SHIFT DIAGRAM LABEL		1		
	71203	SILICONE LUBE		1	8 OZ (236.59 CC)-FLEET SIZE	
	71204	ADHESIVE SEALANT		1	0.5 CC (SINGLE APPLICATION SIZE)	
	71205	SEALANT		1	2 CC (SINGLE APPLICATION SIZE)	K-1982
	71206	SILICONE LUBE		1	4 CC (SINGLE APPLICATION SIZE)	K-2428,K-2429

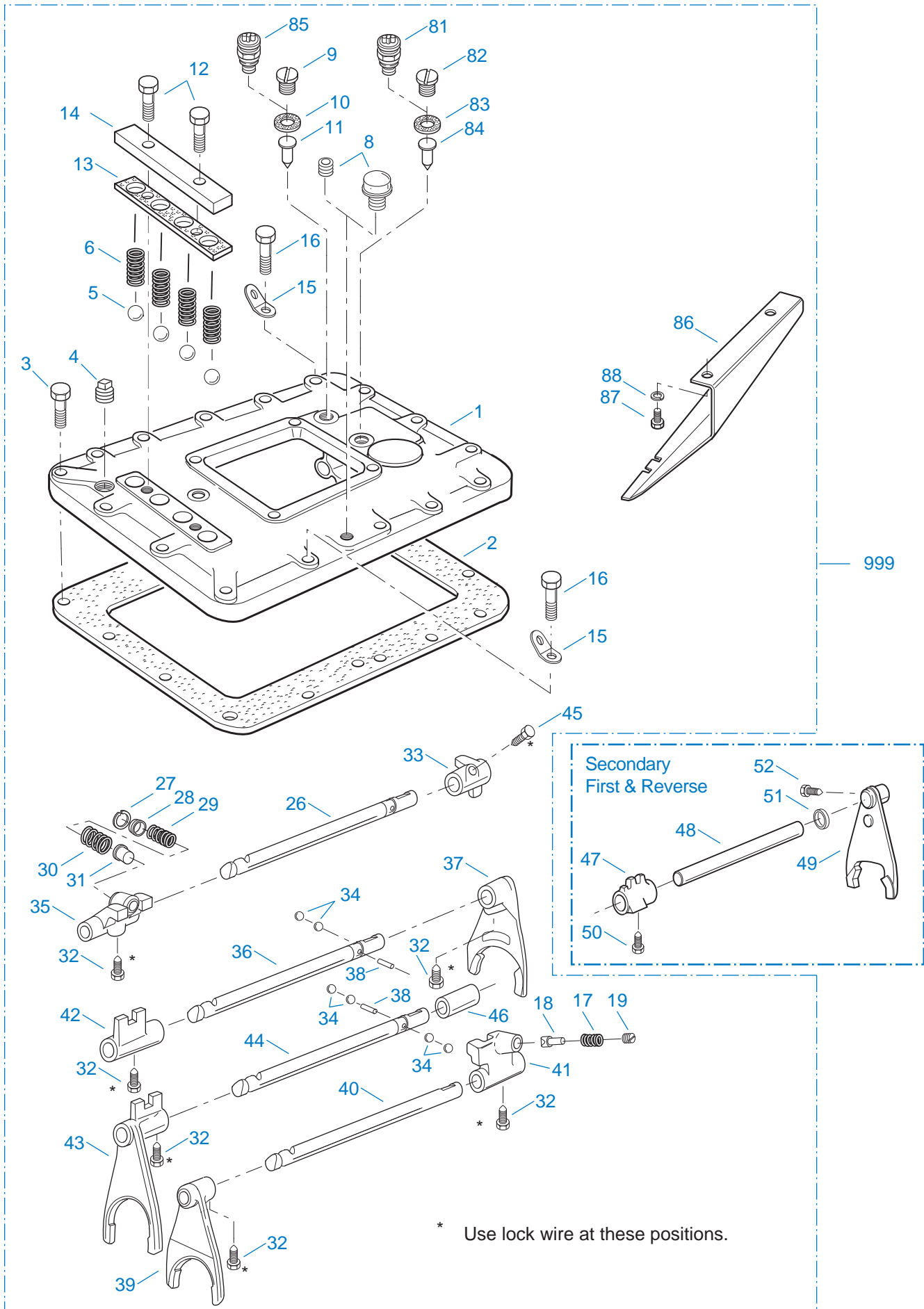


10387-11-94

## REVERSE IDLER

Item	Current Part	Description	Replaced Part	Qty.	Notes	Kits/Assys Where Needed
40	15045	BEARING		4		K-1982,K-2771
41	21227	IDLER GEAR		2		
42	20127	IDLER SHAFT		2		
43	20128	-O- RING		2		K-1982,K-2771
44	8270	LOCK		2		
45	X-8C-556	CAPSCREW	X 8L 500	2	5/16"-18X3/4"	



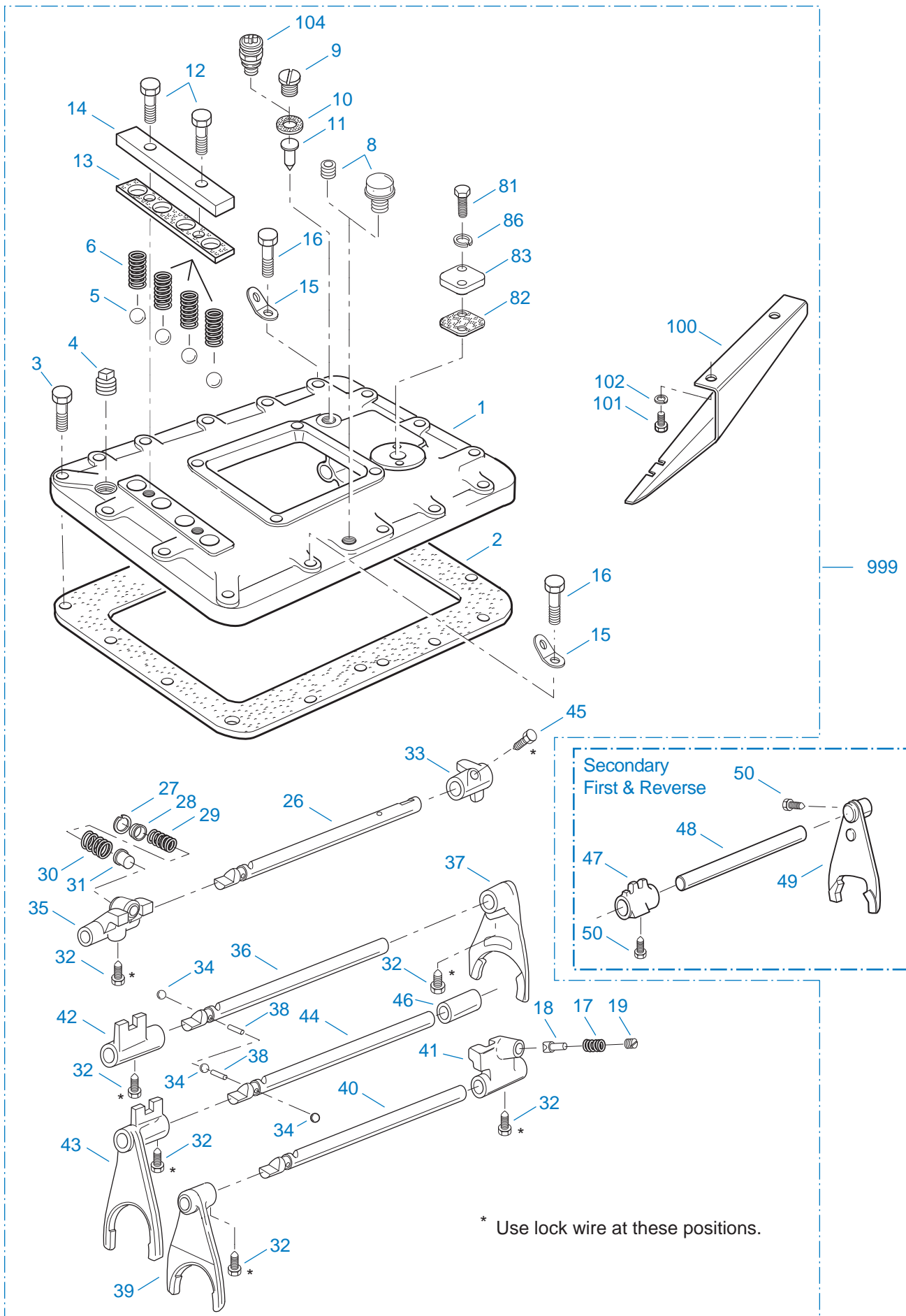


## SHIFT BAR HSG (STD-NEW)

Item	Current Part	Description	Replaced Part	Qty.	Notes	Kits/Assys Where Needed
1	S-2732	SHIFT BAR HOUSING ASSY	23585	1	HOUSING ONLY	
2	4302676	GASKET	14918	1		K-1846,S-2733
3	X-8L-604	CAPSCREW		14	3/8"-16X1-1/4"	
4	X-12-603	PIPE PLUG	X12 602	1	3/8" NPT	S-2732,S-2733
5	X-14-800	STEEL BALL		4	1/2"	
6	15918	SPRING		4		K-1807,K-1982,S-2733
8	4304602	BREATHER	23605	1	1/4" NPT	
8	X-12-404	PIPE PLUG		1	1/4" NPT	
9	4303656	PLUG	15917	1		S-2732,S-2733
10	15900	GASKET		1		S-2732,S-2733
11	15899	PIN		1		S-2732,S-2733
12	X-8L-600	CAPSCREW		2	3/8"-16X1"	
13	10839	GASKET		1		K-1846,S-2733
14	10838	SPRING COVER		1		S-2733
15	20815	LIFTING EYE	17105	2		
16	X-8L-602	CAPSCREW		2	3/8"-16X1-1/2" USE W/20815 LIFTING EYES	
17	18739	SPRING		1		
18	18738	PLUNGER		1		
19	8968	PLUG		1		
26	23588	YOKE BAR		1	1ST/REVERSE	S-2733
27	19793	SNAP RING		1		
28	19792	RETAINER		1		
29	19838	SPRING		1		
30	19791	SPRING		1		
31	19790	PLUNGER		1		
32	3220	LOCKSCREW		6		S-2733
33	19869	SHIFT BLOCK		1	1ST/REVERSE	S-2733
34	X-14-600	STEEL BALL		6	3/8"	
35	19896	SHIFT BLOCK		1	1ST/REVERSE	
36	23589	YOKE BAR		1	2ND/3RD	S-2733

Item	Current Part	Description	Replaced Part	Qty.	Notes	Kits/Assys Where Needed
37	19906	SHIFT YOKE		1	2ND/3RD	S-2733
38	1634	INTERLOCK PIN		2		K-1807,S-2733
39	18864	SHIFT YOKE		1	6TH/7TH	S-2733
40	23591	YOKE BAR		1	6TH/7TH	S-2733
41	18752	SHIFT BLOCK	18340	1	6TH/7TH	
42	18409	SHIFT BLOCK	18341	1	2ND/3RD	S-2733
43	18344	SHIFT YOKE		1	4TH/5TH	S-2733
44	23590	YOKE BAR		1	4TH/5TH	S-2733
45	15776	LOCKSCREW		1		S-2733
46	19907	SPACER		1	4TH/5TH	S-2733
47	19867	SHIFT BLOCK		1	1ST/REVERSE (SECONDARY)	
48	21231	YOKE BAR		1	1ST/REVERSE (SECONDARY)	
49	19875	SHIFT YOKE		1	1ST/REVERSE (SECONDARY)	
50	15776	LOCKSCREW		1		S-2733
51	21232	SPACER		1		
52	3220	LOCKSCREW		1		S-2733
81	22941	NEUTRAL LIGHT SWITCH	12639	1	SWITCH NORMALLY CLOSED	
82	4303655	PLUG	17178	1		S-2732,S-2733
83	17179	GASKET		1		S-2732,S-2733
84	23587	PIN		1		S-2732,S-2733
85	22940	REVERSE LIGHT SWITCH	16830	1	SWITCH NORMALLY OPEN	
86	20449	OIL TROUGH		1		S-2733
87	X-8-516	CAPSCREW		2	5/16"-18X5/8"	
88	X-3-506	LOCKWASHER		2	5/16"	
999	S-2733	SHIFT BAR HSG ASSY (STD)	20526 ,23585	1	COMPLETE (STD)	







## SHIFT BAR HSG (STD-OLD)

Item	Current Part	Description	Replaced Part	Qty.	Notes	Kits/Assys Where Needed
1	S-2733	SHIFT BAR HSG ASSY (STD)	20526 ,23585	1	COMPLETE (STD)	
2	4302676	GASKET	14918	1		K-1846,S-2733
3	X-8L-604	CAPSCREW		16	3/8"-16X1-1/4"- OR USE 14 PCS OF X-8L-604 WITH 2 PCS OF X-8L-602	
4	X-12-603	PIPE PLUG	X12 602	1	3/8" NPT	S-2732,S-2733
5	X-14-800	STEEL BALL		4	1/2"	
6	15918	SPRING		4		K-1807,K-1982,S-2733
8	4304602	BREATHER	23605	1	1/4" NPT	
8	X-12-404	PIPE PLUG		1	1/4" NPT	
9	4303656	PLUG	15917	1		S-2732,S-2733
10	15900	GASKET		1		S-2732,S-2733
11	15899	PIN		1		S-2732,S-2733
12	X-8L-600	CAPSCREW		2	3/8"-16X1"	
13	10839	GASKET		1		K-1846,S-2733
14	10838	SPRING COVER		1		S-2733
15	20815	LIFTING EYE	17105	2		
16	X-8L-602	CAPSCREW		2	3/8"-16X1-1/2" USE W/20815 LIFTING EYES	
17	18739	SPRING		1		
18	18738	PLUNGER		1		
19	8968	PLUG		1		
26	19901	YOKE BAR		1	1ST/REVERSE	
27	19793	SNAP RING		1		
28	19792	RETAINER		1		
29	19838	SPRING		1		
30	19791	SPRING		1		
31	19790	PLUNGER		1		
32	3220	LOCKSCREW		6		S-2733
33	19869	SHIFT BLOCK		1	1ST/REVERSE	S-2733
34	X-14-1200	STEEL BALL		3	3/4"	
35	19896	SHIFT BLOCK		1	1ST/REVERSE	

Item	Current Part	Description	Replaced Part	Qty.	Notes	Kits/Assys Where Needed
36	19902	YOKE BAR		1	2ND/3RD	
37	19906	SHIFT YOKE		1	2ND/3RD	S-2733
38	1634	INTERLOCK PIN		2		K-1807,S-2733
39	18864	SHIFT YOKE		1	6TH/7TH	S-2733
40	19904	YOKE BAR		1	6TH/7TH	
41	18752	SHIFT BLOCK	18340	1	6TH/7TH	
42	18409	SHIFT BLOCK	18341	1	2ND/3RD	S-2733
43	18344	SHIFT YOKE		1	4TH/5TH	S-2733
44	19903	YOKE BAR		1	4TH/5TH	
45	22943	LOCKSCREW		1		
46	19907	SPACER		1	4TH/5TH	S-2733
47	19867	SHIFT BLOCK		1	1ST/REVERSE (SECONDARY)	
48	19905	NO LONGER AVAILABLE		1	1ST/REVERSE (SECONDARY)	
49	19875	SHIFT YOKE		1	1ST/REVERSE (SECONDARY)	
50	3220	LOCKSCREW		2		S-2733
100	20449	OIL TROUGH		1		S-2733
101	X-8-516	CAPSCREW		2	5/16"-18X5/8"	
102	X-3-506	LOCKWASHER		2	5/16"	
104	22940	REVERSE LIGHT SWITCH	16830	1	SWITCH NORMALLY OPEN	
999	S-2733	SHIFT BAR HSG ASSY (STD)	20526 ,23585	1	COMPLETE (STD)	

