



**H HENDRICKSON**  
*The World Rides On Us®*

**Pro Gear**  
AND TRANSMISSION

## HN Parts Manual

Pro Gear's Hendrickson HN Parts Manual to assist in identifying your Hendrickson unit.

If you need any assistance identifying the correct transfer case unit for your truck and equipment, contact your Hendrickson replacement part specialists at Pro Gear and Transmission.

Pro Gear Transmission has same day shipping and 1000's of products in stock and ready to ship internationally for your next project.

For parts or service contact the Hendrickson specialists at Pro Gear & Transmission, Inc.

1 (877) 776-4600  
(407) 872-1901  
parts@eprogear.com

# **H PARTS LIST**

## **HN® Rear Suspension VariRate® Spring System**

LIT NO: SP-212

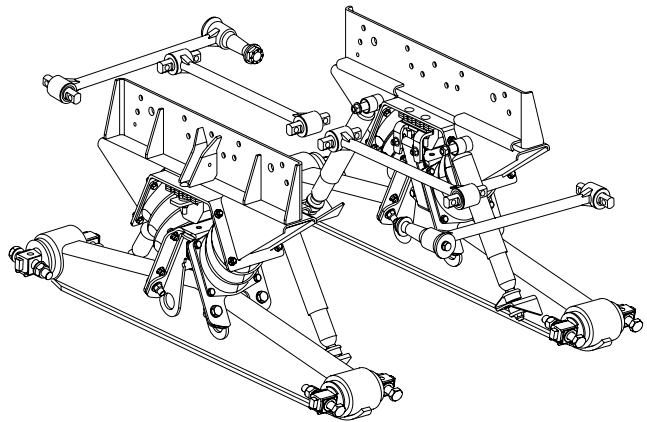
DATE: September 2015

REVISION: F

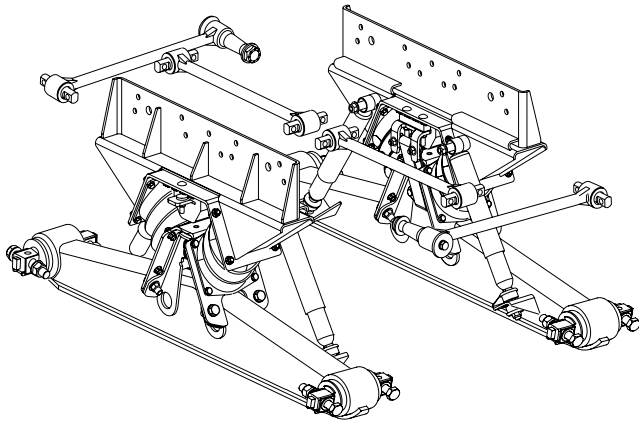
### **CONTENTS**

| DESCRIPTION                                 | PAGE |
|---|------|
| Parts Lists                                 |      |
| ■ HN 402/462/522 - 11/00 - Current. . . . . | 2    |
| ■ HN 402/462/522 - 9/98-11/00 . . . . .     | 4    |
| ■ HN 402/462/522 - 4/96-8/98. . . . .       | 6    |
| Special Tools . . . . .                     | 8    |
| Notes . . . . .                             | 8    |

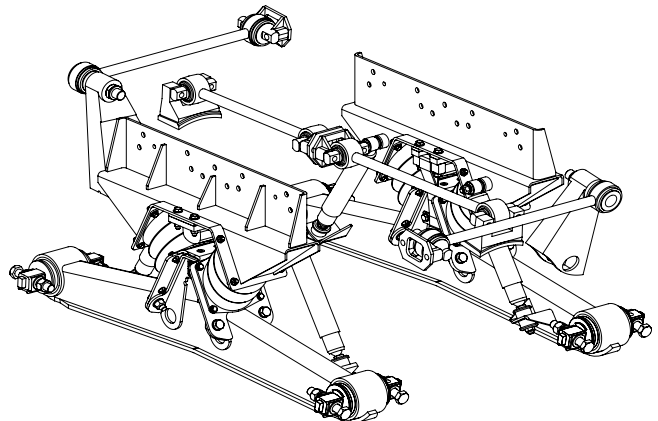
### **HN 402/462/522 - 11/00-Current**



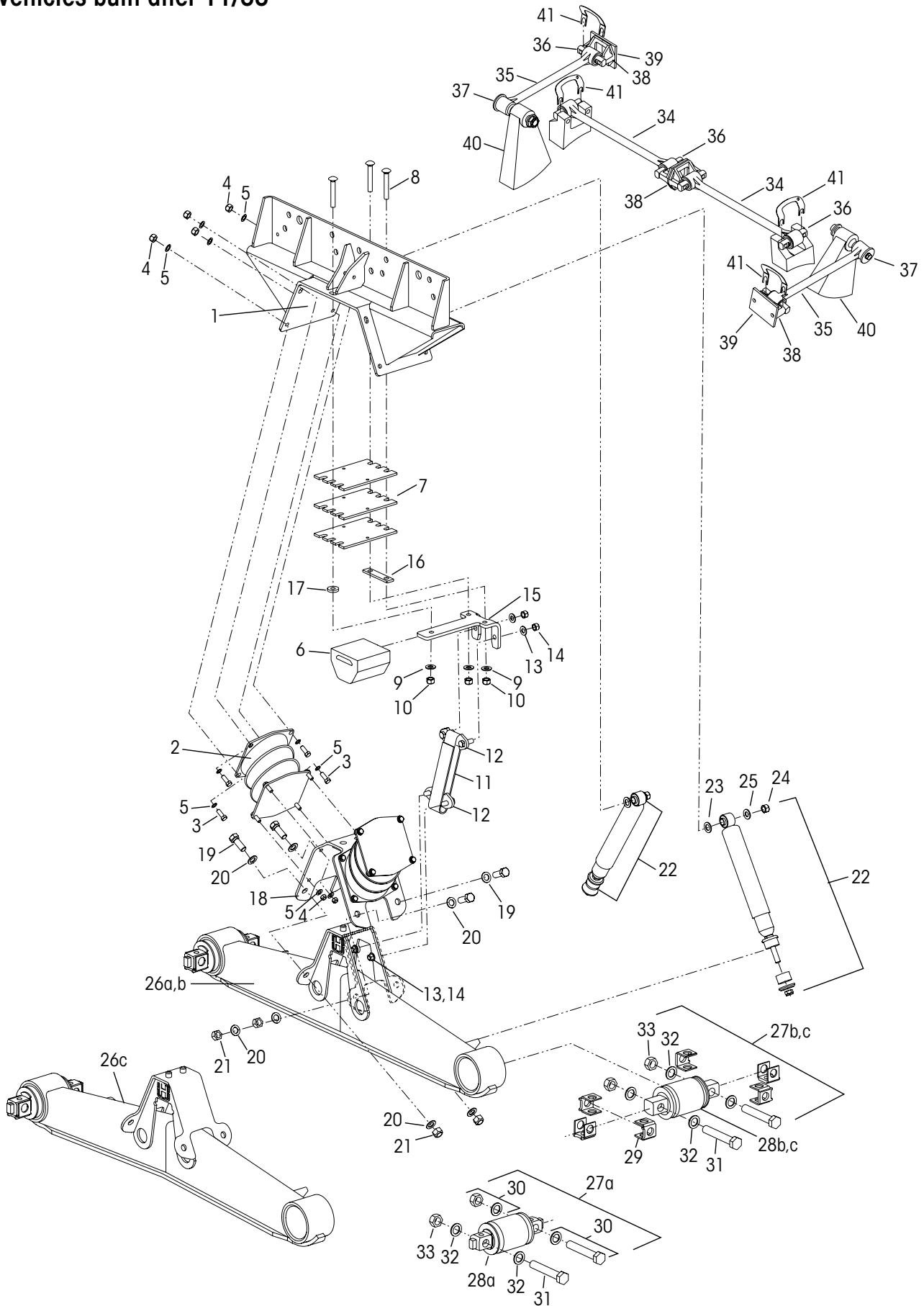
### **HN 402/462/522 - 9/98-11/00**



### **HN 402/462/522 - 4/96-8/98**



Vehicles built after 11/00

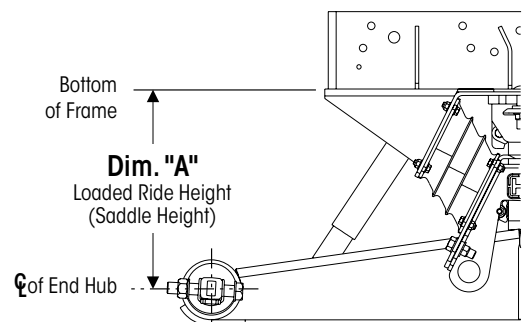
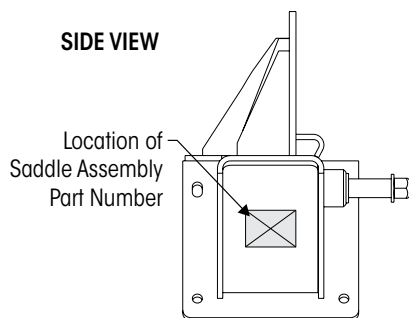




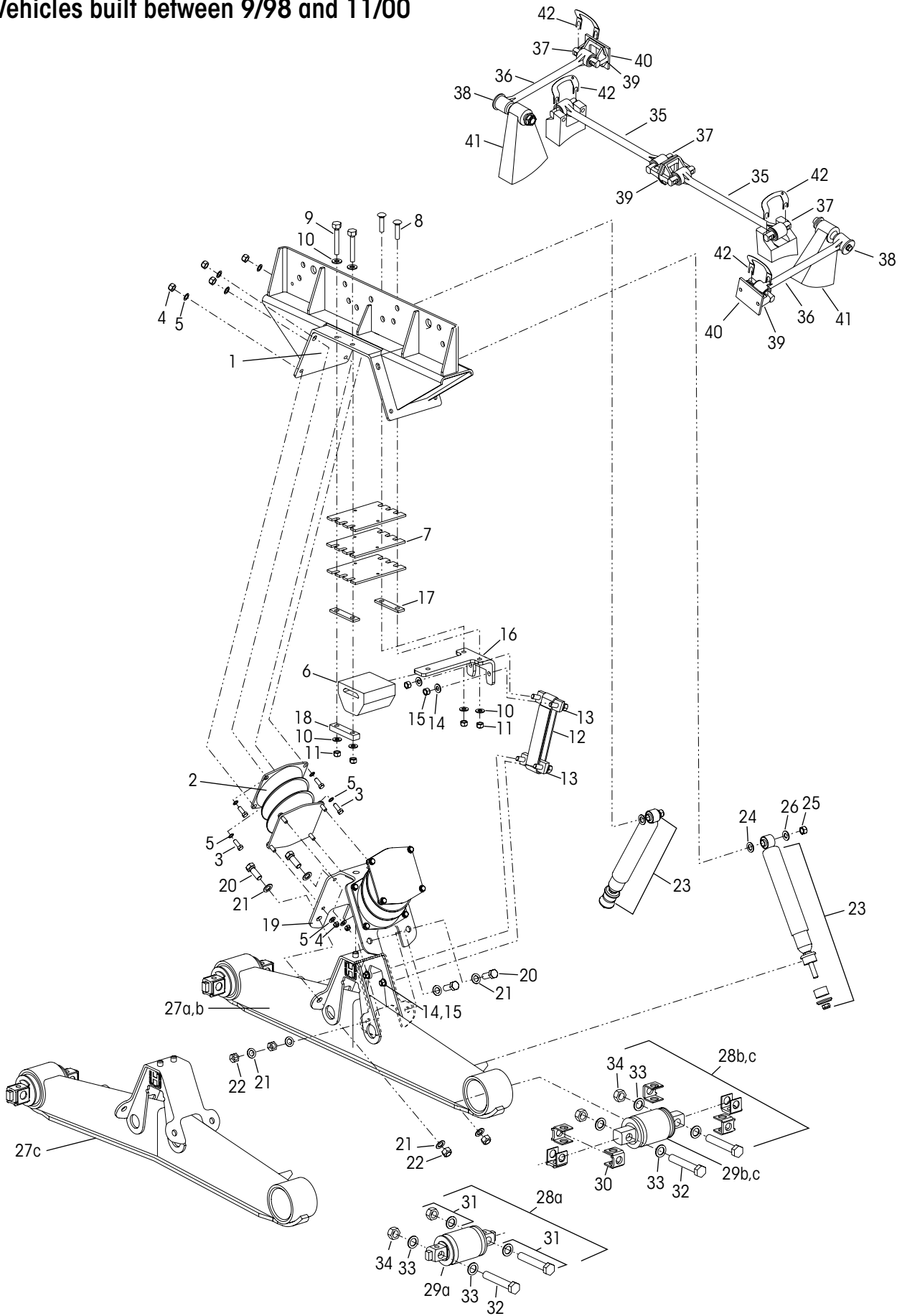
| KEY NO. | PART NO.   | DESCRIPTION   | QTY. |
|---------|------------|---|------|
| 1       |            | HN 402/462/522 Saddle Assembly, See Figure 1 below, Dimension "A" Saddle Height, Includes Key Nos. 2-18 | 2    |
|         | 60686-OXX  | 16½", 17½", or 18½"   |      |
|         | 58650-OXX  | 20¼" or 22½"  |      |
|         | 60879-000L | <b>Bolster Spring Service Kit, One Set, (2 pc)</b><br>Includes Key No. 2                                |      |
| 2       |            | *Bolster Spring   | 4    |
| 3       | 25114-011  | 7/16"-20 UNF x 1 ¼" Bolt  | 32   |
| 4       | 48949-000  | 7/16"-20 UNF-2B Locknut   | 32   |
| 5       | 22962-027  | 7/16" Washer  | 64   |
| 6       | 60314-000  | Auxiliary Load Spring   | 2    |
| 7       | 58960-003  | Auxiliary Load Spring Shim  | 6    |
| 8       | 58196-006  | ½"-13 UNC x 2¾" Round Head Square Neck Bolt<br><i>Replaces 58196-005</i>                                | 6    |
| 9       | 22962-011  | ½" Washer   | 6    |
| 10      | 49846-000  | ½"-13 UNC-2A Locknut  | 6    |
| 11      | 57878-003  | Rebound Strap   | 2    |
|         | 60639-000  | Anchor Plate Assembly, Includes Key Nos. 12-14  | 4    |
| 12      |            | *Anchor Plate   | 4    |
| 13      |            | *½" Washer  | 8    |
| 14      |            | *½"-13 UNC-2A Locknut   | 8    |
| 15      | 58948-001  | Auxiliary Load Spring Mounting Plate  | 2    |
| 16      | 58949-000  | Auxiliary Load Spring Mounting Plate Shim<br>(Inboard - ¼" thick)                                       | 2    |
| 17      | 22962-020  | Outboard Spacer (¼" thick)  | 2    |
| 18      | 58343-001  | Saddle Vee Bracket  | 2    |
|         | 58440-001  | <b>Vee Bracket Fastener Service Kit, One Side,</b><br>Includes Key Nos. 19-21                           |      |
| 19      | 50764-006  | ¾"-10 UNC-2A x 2" Hex Head Bolt   | 8    |
| 20      | 22962-001  | ¾" Washer   | 16   |
| 21      | 49842-000  | ¾"-10 UNC-2B Locknut  | 8    |
| 22      | 60680-003L | Shock Absorber  | 4    |
| 23      | 22962-001  | ¾" Washer   | 4    |
| 24      | 30585-000  | 5/8" Upper Shock Locknut  | 4    |
| 25      | 22962-004  | 5/8" Upper Shock Washer   | 4    |
| 26      |            | Equalizing Beam Assembly  | 2    |
| a       | 58494-001  | HN 462, 54" Non-Shim Type   |      |
|         | 58494-002  | HN 462, 54" Shim Type   |      |
|         | 58494-005  | HN 402/462, 60" Non-Shim Type   |      |
|         | 58494-006  | HN 402/462, 60" Shim Type   |      |
|         | 58494-009  | HN 402/462, 72½" Non-Shim Type  |      |
|         | 58494-010  | HN 402/462, 72½" Shim Type  |      |
| b       | 59973-003  | HN 522, 54" Shim Type   |      |
| c       | 57889-004  | HN 402, 52" Non-Shim Type   |      |
|         | 57889-005  | HN 402, 52" Shim Type   |      |
|         | 57889-001  | HN 402, 54" Non-Shim Type   |      |
|         | 57889-002  | HN 402, 54" Shim Type   |      |

| KEY NO. | PART NO.   | DESCRIPTION   | QTY.          |
|---------|------------|---|---------------|
| 27      |            | <b>Bar Pin End Bushing Service Kit, One Wheel End,</b>  |               |
| a       | 34013-087L | Non-Shim Type, 28a, 30  |               |
| b       | 34013-088L | Shim Type, Includes Key No. 28b, 29a-30   |               |
| c       | 34013-188L | Rotating, Shim Type, 28c, 29a-30  |               |
| 28      |            | <b>*Bar Pin End Bushing</b>   | 4             |
| a       |            | Non-Shim Type   |               |
| b       |            | Shim Type   |               |
| c       |            | Rotating, Shim Type   |               |
| 29      |            | Bar Pin Shim  | 8             |
| a       | 50131-000  | 0.25" / 0.12" Standard  |               |
| b       | 50130-000  | 0.19" / 0.19" Optional  |               |
| c       | 57026-000  | 0.375" Optional flat shim   |               |
| 30      | 34013-104  | <b>Bar Pin End Bushing Fastener Kit, One Wheel End,</b> Includes Key Nos. 31-33   |               |
| 31      | 48941-000  | 1"-8 UNC x 6" Hex Bolt  | 4             |
| 32      | 22962-008  | 1" Hardened Washer  | 8             |
| 33      | 48942-000  | 1"-8 UNC Locknut  | 4             |
| 34      |            | <b>**One-piece Longitudinal Torque Rod Assembly,</b><br>Straddle/Straddle, Specify Length in mm<br>ULTRA ROD®, Includes Key No. 36a   |               |
|         | 62000-XXX  | Front   | 1             |
|         | 62001-XXX  | Rear  | 1             |
|         |            | ULTRA ROD® PLUS™, Includes Key No. 36b  |               |
|         | 72000-XXX  | Front   | 1             |
|         | 72001-XXX  | Rear  | 1             |
| 35      |            | <b>***One-piece Transverse Torque Rod Assembly,</b><br>Straddle/Taper, Specify Length in mm<br>ULTRA ROD, Includes Key Nos. 36a-37a<br>ULTRA ROD PLUS, Includes Key Nos. 36b-37b<br>XTRB, Includes Key Nos. 36c-37c | 2             |
|         | 62350-XXX  | ULTRA ROD, Includes Key Nos. 36a-37a  |               |
|         | 72350-XXX  | ULTRA ROD PLUS, Includes Key Nos. 36b-37b   |               |
|         | 92350-XXX  | XTRB, Includes Key Nos. 36c-37c   |               |
| 36      |            | Straddle Bushing  | 4             |
| a       | 47691-000L | ULTRA ROD   |               |
| b       | 64400-002L | ULTRA ROD PLUS  |               |
| c       | 66649-002L | XTRB  |               |
| 37      |            | Taper Bushing   | 2             |
| a       | 64697-000H | ULTRA ROD   |               |
| b       | 64400-004L | ULTRA ROD PLUS  |               |
| c       | 66649-004L | XTRB  |               |
|         |            | <b>Optional Two-Piece Torque Rod Assembly with Bushings Service Kit</b>   |               |
|         | 60218-000  | ULTRA ROD Straddle/Straddle   |               |
|         | 60215-000  | ULTRA ROD Straddle/Taper  |               |
|         | 65781-000  | ULTRA ROD PLUS Straddle/Taper   |               |
|         | 65781-001  | XTRB Straddle/Straddle  |               |
|         | 65781-002  | XTRB Straddle/Taper   |               |
| 38      | 22186-000  | Torque Rod Frame Bracket  | 2             |
| 39      | 45045-003  | Back-up Plate (for Torque Rod)  | 2             |
| 40      |            | ****Transverse Rod Axle Bracket   | 2             |
| 41      | 49689-000  | Torque Rod Shim   | As Req.       |
|         | 70867-001  | P-80 Lubricant - 10 ml (Not Shown)  | Per Bushing 1 |

Locate the part number (see sideview) on the saddle assembly, if the saddle assembly number is not legible or available, contact the vehicle manufacturer (be prepared with the vehicle VIN number and saddle height) to request the appropriate part number equipped on the vehicle.



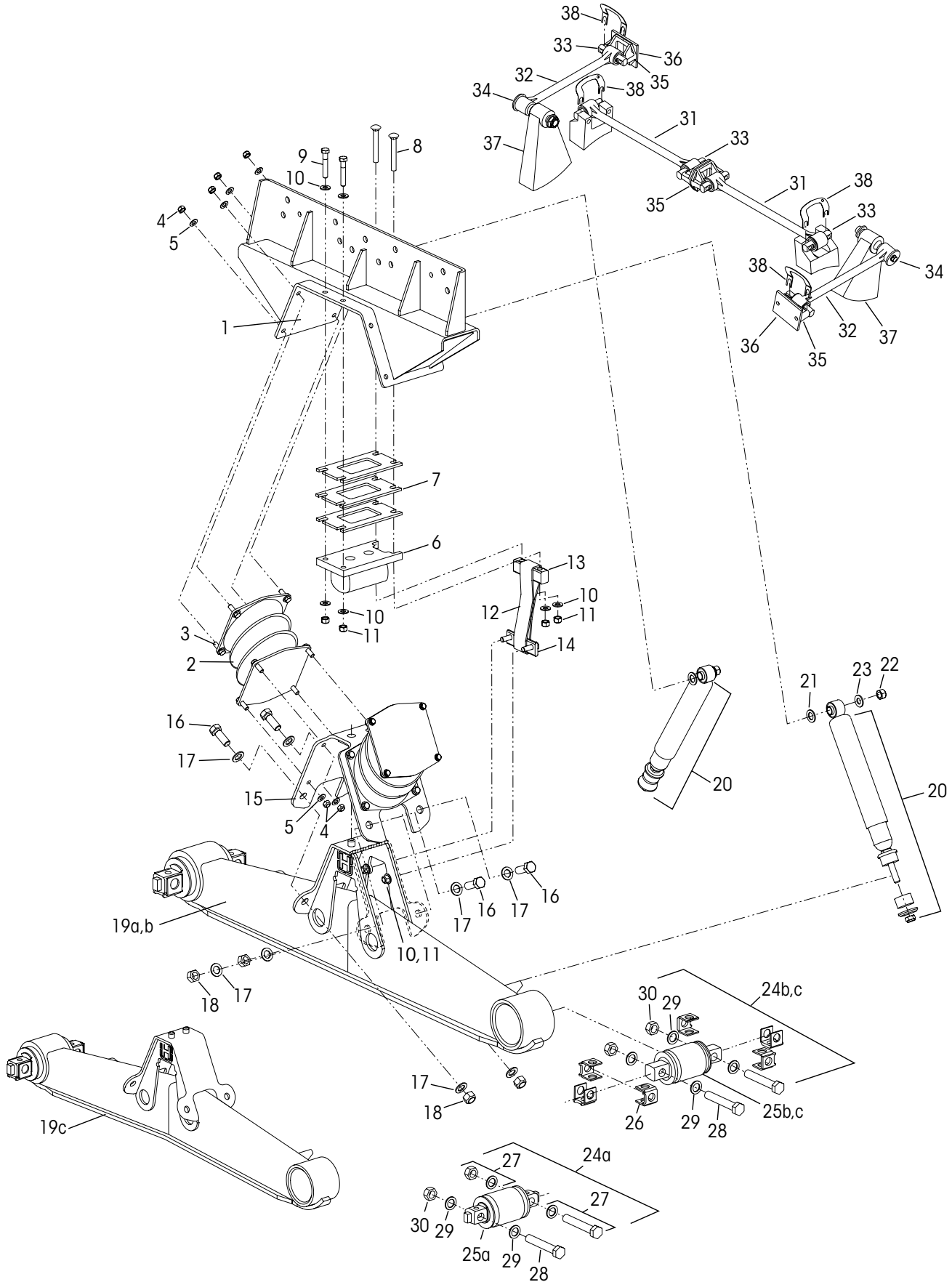
Vehicles built between 9/98 and 11/00





| KEY NO. | PART NO.   | DESCRIPTION  | QTY. | KEY NO. | PART NO.   | DESCRIPTION  | QTY.          |
|---------|------------|--|------|---------|------------|--|---------------|
| 1       |            | HN 402/462/522 Saddle Assembly, See Figure 1 on page 3, Includes Key Nos. 2-19 | 2    | 28      |            | <b>Bar Pin End Bushing Service Kit, One Wheel End,</b>   |               |
|         | 60686-OXX  | 16½", 17½", or 18½"  |      | a       | 34013-087L | Non-Shim Type, 29a, 31   |               |
|         | 58650-OXX  | 20¼" or 22½"   |      | b       | 34013-088L | Shim Type Includes Key No. 29b, 30-31  |               |
|         | 60879-000L | <b>Bolster Spring Service Kit, One Set, (2 pc)</b><br>Includes Key No. 2       |      | c       | 34013-188L | Rotating, Shim Type, 29c, 30-31  |               |
| 2       |            | *Bolster Spring  | 4    | 29      |            | *Bar Pin End Bushing   | 4             |
| 3       | 25114-011  | 7/16"-20 UNF x 1 ¼" Bolt   | 32   | a       |            | Non-Shim Type  |               |
| 4       | 48949-000  | 7/16"-20 UNF-2B Locknut  | 32   | b       |            | Shim Type  |               |
| 5       | 22962-027  | 7/16" Washer   | 64   | c       |            | Rotating, Shim Type  |               |
| 6       | 58947-000  | Auxiliary Load Spring  | 2    | 30      |            | Bar Pin Shim   | 8             |
| 7       | 58960-001  | Auxiliary Load Spring Shim   | 6    | a       | 50131-000  | 0.25" / 0.12" Standard   |               |
| 8       | 58196-004  | ½"-13 UNC x 2¼" Round Head Bolt  | 4    | b       | 50130-000  | 0.19" / 0.19" Optional   |               |
| 9       | 24531-016  | ½"-13 UNC x 3½" Bolt   | 4    | c       | 57026-000  | 0.375" Optional flat shim  |               |
| 10      | 22962-011  | ½" Washer  | 12   | 31      | 34013-104  | <b>Bar Pin End Bushing Fastener Kit, One Wheel End,</b><br>Includes Key Nos. 32-34   |               |
| 11      | 49846-000  | ½"-13 UNC-2A Locknut   | 8    | 32      | 48941-000  | 1"-8 UNC x 6" Hex Bolt   | 4             |
| 12      | 57878-003  | Rebound Strap  | 2    | 33      | 22962-008  | 1" Hardened Washer   | 8             |
| 13      | 60639-000  | Anchor Plate Assembly, Includes Key Nos. 14-15<br><i>Replaces 59779-000</i>    | 4    | 34      | 48942-000  | 1"-8 UNC Locknut   | 4             |
| 14      |            | *½" Washer   | 8    | 35      |            | **One-piece Longitudinal Torque Rod Assembly,<br>Straddle/Straddle, Specify Length in mm<br>ULTRA ROD, Includes Key No. 37a  |               |
| 15      |            | *½"-13 UNC-2A Locknut  | 8    |         | 62000-XXX  | Front  | 1             |
| 16      | 58948-001  | Auxiliary Load Spring Mounting Plate<br><i>Replaces 58948-000</i>              | 2    |         | 62001-XXX  | Rear   | 1             |
| 17      | 58949-000  | ¼" Auxiliary Load Spring Mounting Plate Shim                                   | 4    |         |            | ULTRA ROD PLUS, Includes Key No. 37b   |               |
| 18      | 58524-000  | 7/8" Rebound Strap Mounting Plate  | 2    |         | 72000-XXX  | Front  | 1             |
| 19      | 58343-001  | Saddle Vee Bracket<br><i>Replaces 58343-000</i>                                | 2    |         | 72001-XXX  | Rear   | 1             |
|         | 58440-001  | <b>Vee Bracket Fastener Service Kit, One Side,</b><br>Includes Key Nos. 20-22  |      | 36      |            | ***One-piece Transverse Torque Rod Assembly,<br>Straddle/Taper, Specify Length in mm<br>ULTRA ROD, Includes Key Nos. 37a-38a<br>ULTRA ROD PLUS, Includes Key Nos. 37b-38b<br>XTRB, Includes Key Nos. 37c-38c | 2             |
| 20      | 50764-006  | ¾"-10 UNC-2A x 2" Hex Head Bolt  | 8    |         | 62350-XXX  | ULTRA ROD, Includes Key Nos. 37a-38a   |               |
| 21      | 22962-001  | ¾" Washer  | 16   |         | 72350-XXX  | ULTRA ROD PLUS, Includes Key Nos. 37b-38b  |               |
| 22      | 49842-000  | ¾"-10 UNC-2B Locknut   | 8    |         | 92350-XXX  | XTRB, Includes Key Nos. 37c-38c  |               |
| 23      | 60680-003L | Shock Absorber   | 4    | 37      |            | Straddle Bushing   | 4             |
| 24      | 22962-001  | ¾" Washer  | 4    | a       | 47691-000L | ULTRA ROD  |               |
| 25      | 30585-000  | 5/8" Upper Shock Locknut   | 4    | b       | 64400-002L | ULTRA ROD PLUS   |               |
| 26      | 22962-004  | 5/8" Upper Shock Washer  | 4    | c       | 66649-002L | XTRB   |               |
| 27      |            | Equalizing Beam Assembly   | 2    | 38      |            | Taper Bushing  | 2             |
| a       | 58494-001  | HN 462, 54" Non-Shim Type  |      | a       | 64697-000H | ULTRA ROD  |               |
|         | 58494-002  | HN 462, 54" Shim Type  |      | b       | 64400-004L | ULTRA ROD PLUS   |               |
|         | 58494-005  | HN 402/462, 60" Non-Shim Type  |      | c       | 66649-004L | XTRB   |               |
|         | 58494-006  | HN 402/462, 60" Shim Type  |      |         |            | <b>Optional Two-Piece Torque Rod Assembly with Bushings Service Kit</b>  |               |
|         | 58494-009  | HN 402/462, 72½" Non-Shim Type   |      |         | 60218-000  | ULTRA ROD Straddle/Straddle  |               |
|         | 58494-010  | HN 402/462, 72½" Shim Type   |      |         | 60215-000  | ULTRA ROD Straddle/Taper   |               |
| b       | 59973-003  | HN 522, 54" Shim Type  |      |         | 65781-000  | ULTRA ROD PLUS Straddle/Taper  |               |
| c       | 57889-004  | HN 402, 52" Non-Shim Type  |      |         | 65781-001  | XTRB Straddle/Straddle   |               |
|         | 57889-005  | HN 402, 52" Shim Type  |      |         | 65781-002  | XTRB Straddle/Taper  |               |
|         | 57889-001  | HN 402/462, 54" Non-Shim Type  |      | 39      | 22186-000  | Torque Rod Frame Bracket   | 2             |
|         | 57889-002  | HN 402/462, 54" Shim Type  |      | 40      | 45045-003  | Back-up Plate (for Torque Rod)   | 2             |
|         |            |  |      | 41      |            | ****Transverse Rod Axle Bracket  | 2             |
|         |            |  |      | 42      | 49689-000  | Torque Rod Shim  | As Req.       |
|         |            |  |      |         | 70867-001  | P-80 Lubricant - 10 ml (Not Shown)   | Per Bushing 1 |

Vehicles built between 4/96 and 8/98

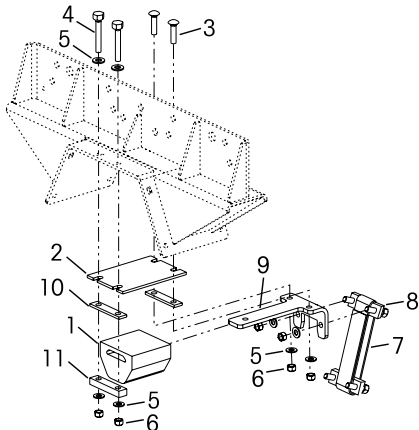




| KEY NO. | PART NO.   | DESCRIPTION   | QTY. | KEY NO. | PART NO.   | DESCRIPTION   | QTY.          |
|---------|------------|---|------|---------|------------|---|---------------|
| 1       |            | HN 402/462/522 Saddle Assembly, See Figure 1 on Page 3, Includes Key Nos. 2-15            | 2    | 25      |            | *Bar Pin End Bushing  | 4             |
|         | 60686-0XX  |   |      | a       |            | Non-Shim Type   |               |
|         | 58650-0XX  |   |      | b       |            | Shim Type   |               |
|         | 60879-000L | <b>Bolster Spring Service Kit, One Set, (2 pc)</b><br>Includes Key No. 2                  |      | c       |            | Rotating, Shim Type   |               |
| 2       |            | *Bolster Spring   | 4    | 26      |            | Bar Pin Shim  | 8             |
| 3       | 25114-011  | 7/16"-20 UNF x 1 1/4" Bolt  | 32   | a       | 50131-000  | 0.25" / 0.12" Standard  |               |
| 4       | 48949-000  | 7/16"-20 UNF-2B Locknut   | 32   | b       | 50130-000  | 0.19" / 0.19" Optional  |               |
| 5       | 22962-027  | 7/16" Washer  | 64   | c       | 57026-000  | 0.375" Optional flat shim   |               |
| 6       |            | Auxiliary Load Spring (58189-000 no longer available, see conversion kit 57974-011 below) | 2    | 27      | 34013-104  | <b>Bar Pin End Bushing Fastener Kit, One Wheel End</b> , Includes Key Nos. 28-30  |               |
| 7       | 57993-002  | Auxiliary Load Spring Shim  | 6    | 28      | 48941-000  | 1"-8 UNC x 6" Hex Bolt  | 4             |
| 8       | 58196-002  | 1/2"-13 UNC-2A x 3 1/2" Round Head Bolt   | 4    | 29      | 22962-008  | 1" Hardened Washer  | 8             |
| 9       | 24531-017  | 1/2"-13 UNC-2A x 2 1/4" Hex Head Bolt   | 4    | 30      | 48942-000  | 1"-8 UNC Locknut  | 4             |
| 10      | 22962-011  | 1/2" Washer   | 16   | 31      |            | **One-piece Longitudinal Torque Rod Assembly, Straddle/Straddle, Specify Length in mm<br>ULTRA ROD, Includes Key No. 33a  |               |
| 11      | 49846-000  | 1/2"-13 UNC-2A Locknut  | 12   |         | 62000-XXX  | Front   | 1             |
| 12      | 57878-003  | Rebound Strap   | 2    |         | 62001-XXX  | Rear  | 1             |
| 13      | 58524-000  | Rebound Strap Mounting Plate  | 2    |         | 72000-XXX  | Front   | 1             |
| 14      | 60639-000  | Anchor Plate Assembly, Includes Fasteners<br>Replaces 59779-000                           | 2    |         | 72001-XXX  | Rear  | 1             |
| 15      | 58343-001  | Saddle Vee Bracket  | 2    | 32      |            | ***One-piece Transverse Torque Rod Assembly, Straddle/Taper, Specify Length in mm<br>ULTRA ROD, Includes Key Nos. 33a-34a<br>ULTRA ROD PLUS, Includes Key Nos. 33b-34b<br>XTRB, Includes Key Nos. 33c-34c | 2             |
|         | 58440-001  | <b>Vee Bracket Fastener Service Kit, One Side</b> ,<br>Includes Key Nos. 16-18            |      |         | 62350-XXX  |   |               |
| 16      | 50764-006  | 3/4"-10 UNC-2A x 2" Hex Head Bolt   | 8    |         | 72350-XXX  |   |               |
| 17      | 22962-001  | 3/4" Washer   | 16   |         | 92350-XXX  |   |               |
| 18      | 49842-000  | 3/4"-10 UNC-2B Locknut  | 8    | 33      |            | Straddle Bushing  | 4             |
| 19      |            | Equalizing Beam Assembly  | 2    | a       | 47691-000L | ULTRA ROD   |               |
|         | a          |   |      | b       | 64400-002L | ULTRA ROD PLUS  |               |
|         | 58494-001  | HN 462, 54" Non-Shim Type   |      | c       | 66649-002L | XTRB  |               |
|         | 58494-002  | HN 462, 54" Shim Type   |      | 34      |            | Taper Bushing   | 2             |
|         | 58494-005  | HN 402/462, 60" Non-Shim Type   |      | a       | 64697-000H | ULTRA ROD   |               |
|         | 58494-006  | HN 402/462, 60" Shim Type   |      | b       | 64400-004L | ULTRA ROD PLUS  |               |
|         | 58494-009  | HN 402/462, 72 1/2" Non-Shim Type   |      | c       | 66649-004L | XTRB  |               |
|         | 58494-010  | HN 402/462, 72 1/2" Shim Type   |      |         |            | <b>Optional Two-Piece Torque Rod Assembly with Bushings Service Kit</b>   |               |
|         | b          |   |      |         | 60218-000  | ULTRA ROD Straddle/Straddle   |               |
|         | 59973-003  | HN 522, 54" Shim Type   |      |         | 60215-000  | ULTRA ROD Straddle/Taper  |               |
|         | c          |   |      |         | 65781-000  | ULTRA ROD PLUS Straddle/Taper   |               |
|         | 57889-004  | HN 402, 52" Non-Shim Type   |      |         | 65781-001  | XTRB Straddle/Straddle  |               |
|         | 57889-005  | HN 402, 52" Shim Type   |      |         | 65781-002  | XTRB Straddle/Taper   |               |
|         | 57889-001  | HN 402/462, 54" Non-Shim Type   |      | 35      | 22186-000  | Torque Rod Frame Bracket  | 2             |
|         | 57889-002  | HN 402/462, 54" Shim Type   |      | 36      | 45045-003  | Back-up Plate (for Torque Rod)  | 2             |
| 20      | 60680-003L | Shock Absorber  | 4    | 37      |            | ****Transverse Rod Axle Bracket   | 2             |
| 21      | 22962-001  | 3/4" Washer   | 4    | 38      | 49689-000  | Torque Rod Shim   | As Req.       |
| 22      | 30585-000  | 5/8" Locknut  | 4    |         | 70867-001  | P-80 Lubricant - 10 ml (Not Shown)  | Per Bushing 1 |
| 23      | 22962-004  | 5/8" Washer   | 4    |         |            |   |               |
| 24      |            | <b>Bar Pin End Bushing Service Kit, One Wheel End</b> ,                                   |      |         |            |   |               |
|         | a          | 34013-087L  |      |         |            |   |               |
|         | b          | 34013-088L  |      |         |            |   |               |
|         | c          | 34013-188L  |      |         |            |   |               |

## KEY NO. 6

## AUXILIARY SPRING CONVERSION KIT NO. 57974-011



## Axle Set – Includes Key Nos. 1-11

|    |           |   | QTY. |
|----|-----------|---|------|
| 1  | 60314-000 | Auxiliary Spring                          | 2    |
| 2  | 58960-003 | Auxiliary Spring Shim                     | 6    |
| 3  | 58196-006 | 1/2"-13 UNC x 2 3/4" Round Head Bolt      | 4    |
| 4  | 24531-016 | 1/2"-13 UNC x 3 1/2" Bolt                 | 4    |
| 5  | 22962-011 | 1/2" Hardened Washer                      | 14   |
| 6  | 49846-000 | 1/2"-13 UNC Locknut                       | 14   |
| 7  | 57878-003 | Rebound Strap                             | 2    |
| 8  | 64700-000 | Anchor Plate Assembly                     | 4    |
| 9  | 58948-001 | Auxiliary Spring Mounting Plate           | 2    |
| 10 | 58949-000 | 1/4" Auxiliary Spring Mounting Plate Shim | 4    |
| 11 | 58524-000 | 5/8" Rebound Strap Mounting Plate         | 4    |





## ■ Special Tools

### BAR PIN STYLE END BUSHING TOOLS

#### INSTALLATION TOOL

**Hendrickson Part No. 66086-103**

**OTC Part No. 1757**

Visit [otctools.com](http://otctools.com)

Use with the equalizing beam removed from the truck, and in conjunction with OTC No. 51100 press plate and a 100 ton hydraulic shop press.



#### REMOVAL TOOLS

**Hendrickson Part No. 66086-104**

**OTC Part No. 206457**

Visit [otctools.com](http://otctools.com)



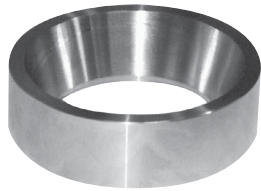
**Hendrickson Part No. 66086-105**

**OTC Part No. 302030**

Visit [otctools.com](http://otctools.com)



### TORQUE ROD BUSHING FUNNEL TOOLS



**Hendrickson Part No. 66086-001**  
**ULTRA ROD**

**Hendrickson Part No. 66086-000**  
**ULTRA ROD PLUS**

**NOTES:** Equalizing beam axle brackets for drive axles are supplied by the axle manufacturer.

- \* Item included in assembly/kit only, part not sold separately.
- \*\* Hendrickson's part number is stamped on the torque rod for identification. Be sure to include the suffix number when ordering, this number indicates torque rod length. The Hendrickson 2-piece torque rods can be used to create the desired length, see Torque Rod Selection Guide Literature No. 45745-148.
- \*\*\* Transverse torque rods are mandatory for HN Suspension regardless of axle spacing, see Literature No. 59310-004 for more information.
- \*\*\*\* Not supplied by Hendrickson, used for reference only, refer to the vehicle manufacturer for more information. Hendrickson is not responsible for components supplied by the vehicle manufacturer.

Hendrickson **HAULMAAX / HN Bolster Gauge**, Literature No. 48422-546 can be obtained on-line at [www.hendrickson-intl.com/litform](http://www.hendrickson-intl.com/litform).

This is a general parts list to provide directional information. Components may vary by model. Questions in regards to parts, contact Hendrickson Truck Parts at 1.866.755.5968 (Toll-free U.S. and Canada), 630.910.2800 (Outside U.S. and Canada) or e-mail: [truckparts@hendrickson-intl.com](mailto:truckparts@hendrickson-intl.com).

[www.hendrickson-intl.com](http://www.hendrickson-intl.com)



Truck Commercial Vehicle Systems  
800 South Frontage Road  
Woodridge, IL 60517-4904 USA

1.866.755.5968 (Toll-free U.S. and Canada)  
1.630.910.2800 (Outside U.S. and Canada)  
Fax 1.630.910.2899