

Marmon-Herrington MT11H Series Parts Manual

Pro Gear's Marmon-Herrington MT11H Series Parts Manual to assist in identifying your Marmon-Herrington unit.

If you need any assistance identifying the correct axle unit for your truck and equipment, contact your Marmon-Herrington replacement part specialists at Pro Gear and Transmission.

Pro Gear Transmission has same day shipping and 1000's of products in stock and ready to ship internationally for your next project.

For parts or service contact the Hendrickson specialists at Pro Gear & Transmission, Inc.

1 (877) 776-4600
(407) 872-1901
parts@eprogear.com



PARTS MANUAL
FOR
MT11/N/H SERIES

MARMON-HERRINGTON ALL-WHEEL DRIVE

13001 Magisterial Drive • Louisville, KY 40223
(502) 253-0277 • (800) 227-0727 • Fax (502) 253-0317
E-mail: info@marmon-herrington.com

TABLE OF CONTENTS

REPLACEMENT PARTS & WARRANTY CLAIM PROCEDURE	3
DIFFERENTIAL CARRIER HOUSING MT11/N/H	4-5
DIFFERENTIAL MT11/N/H	6-7
AXLE HOUSING MT11/N/H	8-9
AXLE SHAFT ASSEMBLY MT11/N/H	10-11
WHEEL HUB, BRAKE DRUM MT11/N/H	12-13
BRAKE MT11/N/H	14-15
TIE-ROD MT11/N/H	16-17



MARMON-HERRINGTON ALL-WHEEL DRIVE
13001 Magisterial Drive • Louisville, KY 40223
(502) 253-0277 • (800) 227-0727 • Fax (502) 253-0317
E-mail: info@marmon-herrington.com

REPLACEMENT PARTS

When ordering replacement parts for **MARMON-HERRINGTON LOW FLOOR** conversions, the following information should be given:

1. **FACTORY ORDER NUMBER** (found on I.D. Plate or small plate affixed to axle housing). This will be a six (6) digit number. (See illustrations this page.)
2. Component for which parts are required, i.e. front drive axle or transfer case/drop box.
3. Model of axle and/or transfer case/drop box, i.e. MT10, MVG 750, MDB500.
4. Give quantity and part number required.
NOTE: Drivelines, shift linkage, etc., can be found on the computer printout of Bill of Material, which is included in the Service Manual.
5. Give complete billing and shipping address.

WARRANTY CLAIM PROCEDURE

Before proceeding with repairs or ordering parts that you feel may be covered under warranty, you must first contact Marmon-Herrington Customer Service Department and obtain a Repair Authorization Number.


Please be prepared to supply all of the following information:

- **Factory Order Number** – This is located on an ID plate fixed to either the driver’s door panel or the component (axle or transfer case) itself.
- **Model and Serial Number** (required) – Again located on the ID plate fixed to either the driver’s door panel or the component itself.
- **Vehicle Year, Make and Model**
- **Vehicle Identification Number**
- **Mileage**
- **In Service Date**

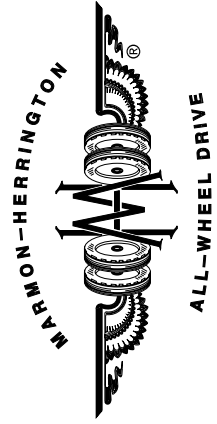
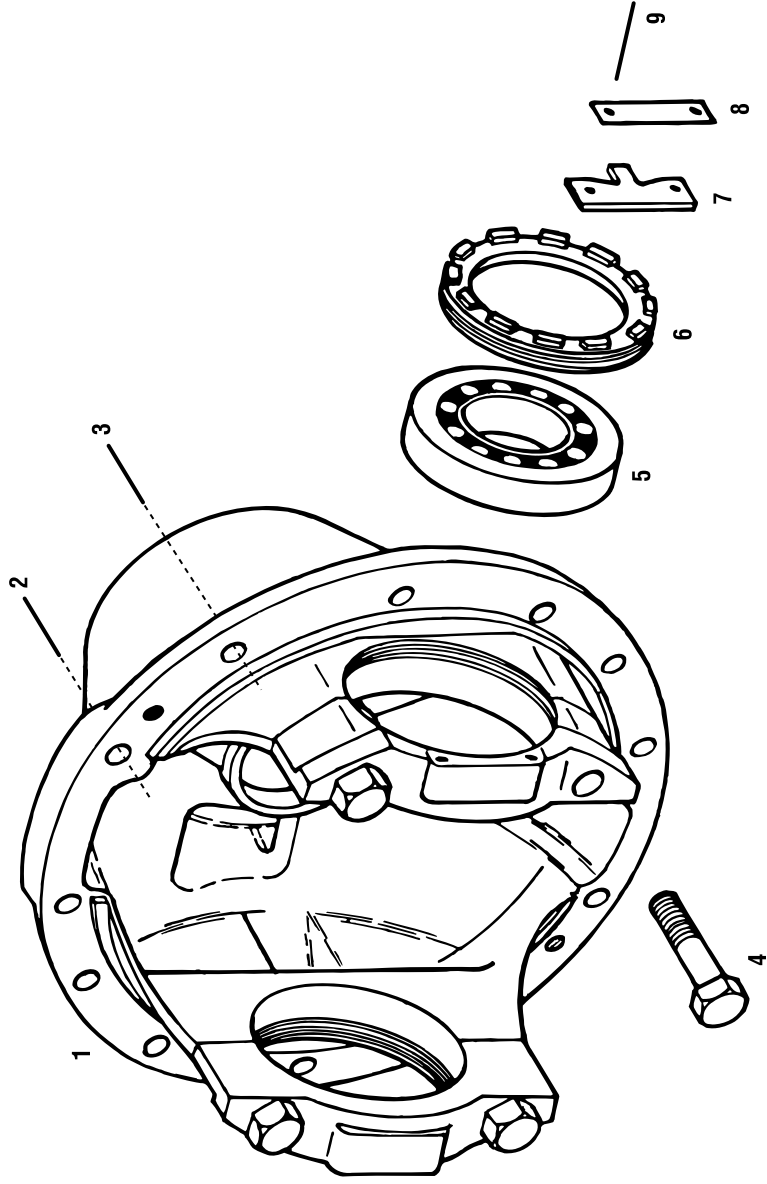
The information necessary for replacement parts and/or warranty claim procedures will be found on either plate design.

MARMON-HERRINGTON			
SALES ORDER	0000-00	RATIO	
S/N		TYPE	
CUST P/N			

MARMON-HERRINGTON			
SALES ORDER	0000-00		
S/N		TYPE	
CUST P/N			
COVERED BY ONE OR MORE OF THE FOLLOWING PATENTS: U.S. PATENTS 4,878,691; 4,934,733; 5,016,912; 5,275,430; 5,839,750; AND 6,398,251; AND CA PATENT 1,316,185. OTHER U.S. AND FOREIGN PATENTS PENDING.			

 <p>MARMON-HERRINGTON ALL-WHEEL DRIVE LOUISVILLE, KENTUCKY U.S.A.</p>	
FACTORY ORDER NO.	0000-00
INSTALLED BY	
FRONT DRIVING AXLE	
MODEL	
CAPACITY	
SERIAL NO.	
RATIO	
TRANSFER CASE	
MODEL	
SERIAL NO.	

DIFFERENTIAL CARRIER HOUSING MT11/N/H



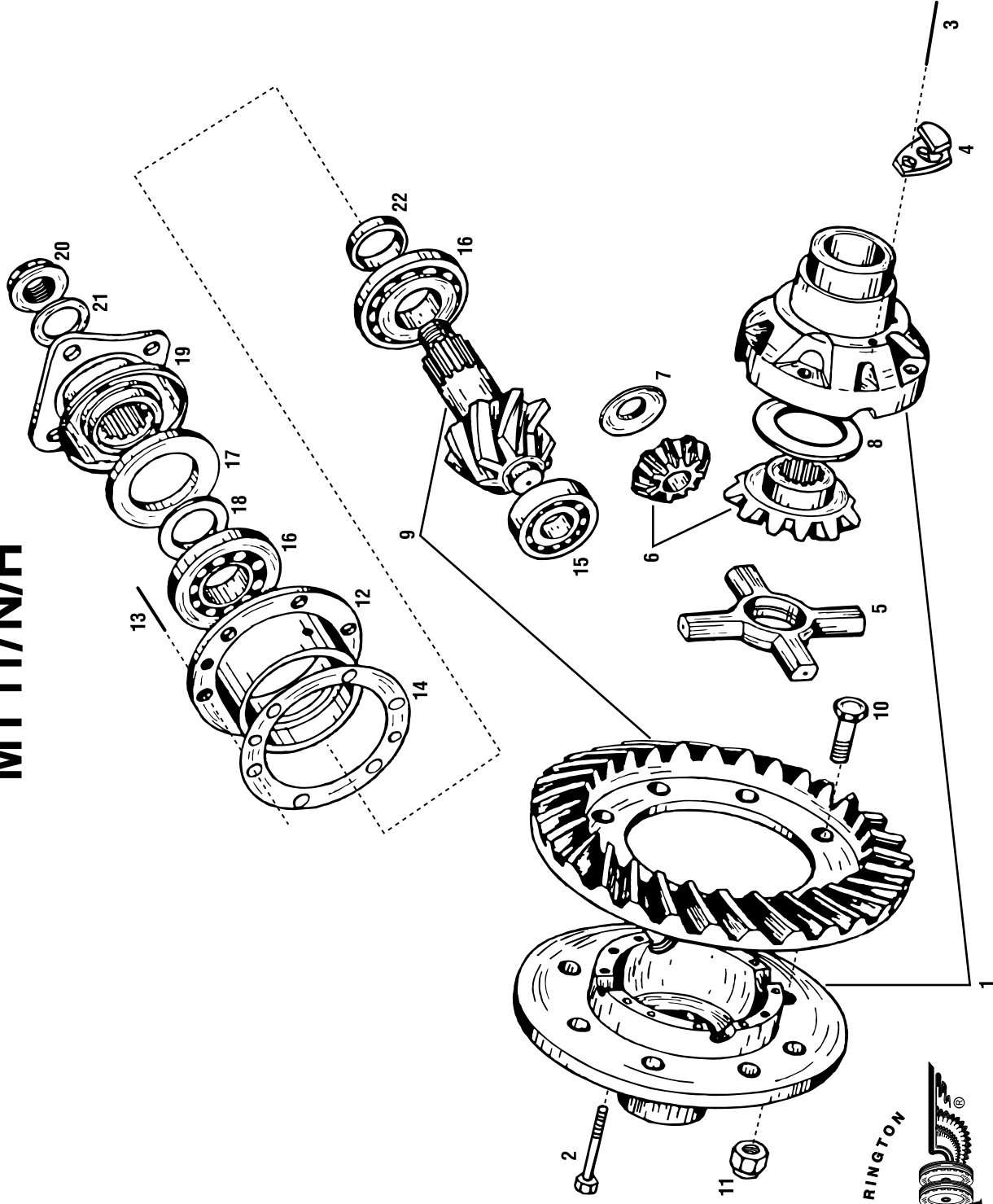
ITEM NO.	MH PART NO.	DESCRIPTION	QTY. REQ.	ITEM NO.	MH PART NO.	DESCRIPTION	QTY. REQ.
1	MT10-1040	Differential Carrier Housing Assy.	1				
2	MT10-1042	Flanged Bolt, Special	4				
3	MT22-1077	Flanged Bolt, Special	8				
4	MT10-1041	Hex Bolt, Special	4				
5	MT10-1043	Taper Roller Bearing	2				
6	MT10-1044	Bearing Adjuster	2				
7	MT22-1080	Adjuster Lock Plate	2				
8	MT22-1081	Lock Plate	2				
9	11500773	Hex Bolt	4				



**DIFFERENTIAL CARRIER HOUSING
MT11/N/H**

MARMON-HERRINGTON ALL-WHEEL DRIVE
 13001 Magisterial Drive • Louisville, KY 40223
 (502) 253-0277 • (800) 227-0727 • Fax (502) 253-0317
 E-mail: info@marmon-herrington.com

DIFFERENTIAL MT 11/N/H



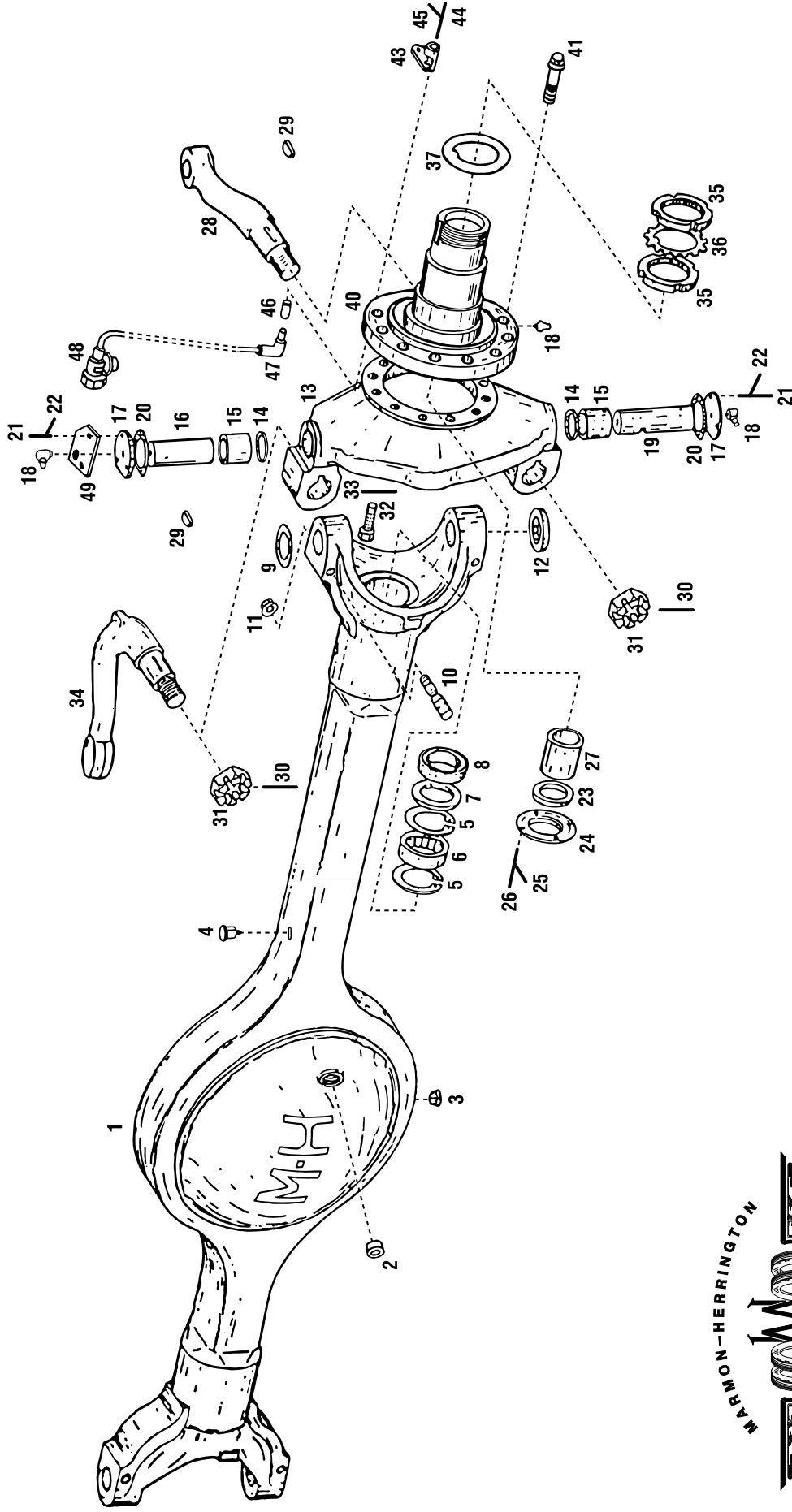
COMPLETE CARRIER ASSEMBLY							ITEM NO.	MH PART NO.	DESCRIPTION	QTY. REQ.
CARRIER P/N	PINION & RING GEAR RATIO	DIFFERENTIAL CASE		DESCRIPTION	MH PART NO.	DESCRIPTION	QTY. REQ.			
MT10-1011	4.11	MT10-1049	MT10-1049	Differential Case Assy. (4.11-4.33) Differential Case Assy. (4.62-7.17) Both of the above each include Items 1 & 2 Hex Bolt, Special Hex Bolt Oil Scoop Differential Cross Nest Kit Washer, Differential Pinion Gear Washer, Differential Side Gear Ring Gear and Pinion 4.11 Ring Gear and Pinion 4.33 Ring Gear and Pinion 4.62 Ring Gear and Pinion 4.88 Ring Gear and Pinion 5.29 Ring Gear and Pinion 5.57 Ring Gear and Pinion 5.86 Ring Gear and Pinion 6.14 Ring Gear and Pinion 6.83 Ring Gear and Pinion 7.17 Hex Bolt, Special Self-Lock Nut Bearing Cage Flanged Bolt, Special	1	14	MT10-1066A	Shim, 1.00 MM	AR	
MT10-1012	4.33	MT10-1049	MT10-1049		1	14	MT10-1066B	Shim, 0.50 MM	AR	
MT10-1001	4.62	MT10-1052	MT10-1052		1	14	MT10-1066C	Shim, 0.30 MM	AR	
MT10-1002	4.88	MT10-1052	MT10-1052		1	14	MT10-1066D	Shim, 0.20 MM	AR	
MT10-1003	5.29	MT10-1052	MT10-1052		1	14	MT10-1066E	Shim, 0.15 MM	AR	
MT10-1004	5.57	MT10-1052	MT10-1052		1	14	MT10-1067	Roller Bearing	1	
MT10-1005	5.86	MT10-1052	MT10-1052		1	14	MT10-1068	Pinion Bearing, Inner and Outer	2	
MT10-1006	6.14	MT10-1052	MT10-1052		1	14	MT10-1069	Oil Seal, Pinion	1	
MT10-1009	6.50	MT10-1052	MT10-1052	1	14	MT10-1070	Disk	1		
MT10-1007	6.83	MT10-1052	MT10-1052	1	14	MT10-1071	Companion Flange	1		
MT10-1008	7.17	MT10-1052	MT10-1052	1	14	MT10-1072	Self-Lock Nut	1		
					21	MT10-1073	Washer	1		
					22	MT10-1074A	Pinion Bearing Spacer, 13.950 MM	AR*		
						MT10-1074B	Pinion Bearing Spacer, 13.975 MM	AR*		
						MT10-1074C	Pinion Bearing Spacer, 14.000 MM	AR*		
						MT10-1074D	Pinion Bearing Spacer, 14.025 MM	AR*		
						MT10-1074E	Pinion Bearing Spacer, 14.050 MM	AR*		
						MT10-1074F	Pinion Bearing Spacer, 14.075 MM	AR*		
						MT10-1074G	Pinion Bearing Spacer, 14.100 MM	AR*		
						MT10-1074H	Pinion Bearing Spacer, 14.125 MM	AR*		
						MT10-1074I	Pinion Bearing Spacer, 14.150 MM	AR*		
						MT10-1074J	Pinion Bearing Spacer, 14.175 MM	AR*		
						MT10-1074K	Pinion Bearing Spacer, 14.200 MM	AR*		
						MT10-1074L	Pinion Bearing Spacer, 14.225 MM	AR*		
						MT10-1074M	Pinion Bearing Spacer, 14.250 MM	AR*		
						MT10-1074N	Pinion Bearing Spacer, 14.275 MM	AR*		
						MT10-1074P	Pinion Bearing Spacer, 14.300 MM	AR*		
						MT10-1074Q	Pinion Bearing Spacer, 14.325 MM	AR*		
						MT10-1074R	Pinion Bearing Spacer, 14.350 MM	AR*		
						MT10-1074S	Pinion Bearing Spacer, 14.375 MM	AR*		
						MT10-1074T	Pinion Bearing Spacer, 14.400 MM	AR*		
						MT10-1074U	Pinion Bearing Spacer, 14.425 MM	AR*		
						MT10-1074V	Pinion Bearing Spacer, 14.450 MM	AR*		
						MT10-1074W	Pinion Bearing Spacer, 14.475 MM	AR*		
						MT10-1074X	Pinion Bearing Spacer, 14.500 MM	AR*		
						MT10-1074Y	Pinion Bearing Spacer, 14.525 MM	AR*		
						MT10-1074Z	Pinion Bearing Spacer, 14.550 MM	AR*		
						AR = As Required				
						*Note: Choose 2 to produce proper bearing preload.				

MARMON-HERRINGTON ALL-WHEEL DRIVE
 13001 Magisterial Drive • Louisville, KY 40223
 (502) 253-0277 • (800) 227-0727 • Fax (502) 253-0317
 E-mail: info@marmon-herrington.com

**DIFFERENTIAL
 MT11/N/H**



AXLE HOUSING MT11/N/H



ITEM NO.	MH PART NO.	DESCRIPTION	QTY. REQ.	ITEM NO.	MH PART NO.	DESCRIPTION	QTY. REQ.
1	MT10-1075	Axle Housing	1	26	11503946	Hex Bolt	8
2	MT14-1070	Fill Plug	1	27	MT10-1095	Bushing	2
3	MT14-1071	Magnetic Drain Plug	1	28	MT10-1096	Tie-Rod Arm, L.H.	1
4	MT14-1068	Vent	1	29	MT10-1097	Tie-Rod Arm, R.H.	1
5	MT22-1115	Snap Ring	4	30	MT93-2308	Woodruff Key	3
6	MT22-1114	Cylindric Roller Bearing	2	31	103415	Cotter Pin	3
7	MT22-1116	Oil Seal	2	32	MT10-1099	Castle Nut	3
8	MT10-1079	Oil Seal Support Assy.	2	33	MT10-1100	Turn Stop Bolt	2
	MT10-1080	Felt Wiper	2	34	MT10-1101	Jam Nut	2
9	MT10-1081A	Shim, 0.40 MM	AR	35	MT10-1102	Steering Arm	1
	MT10-1081B	Shim, 0.60 MM	AR	36	MT22-1132	Spindle Nut	4
	MT10-1081C	Shim, 1.00 MM	AR	37	MT22-1133	Lock Plate	2
	MT10-1081D	Shim, 1.20 MM	AR	38	MT10-1103	Lock Disk	2
	MT10-1081E	Shim, 1.40 MM	AR	39	MT10-1108	Spindle, L.H.	1
10	MT10-1132	Lock Pin	4	40	MT10-1109	Spindle, R.H.	1
11	MT10-1133	Flanged Nut	4	41	MT10-1105	Hex Flange Bolt	24
12	MT10-1082	Taper Roller Thrust Bearing	2	43	MT93-1109	Sensor Holder	2
13	MT10-1083	Steering Knuckle Assy, L.H.	1	44	11500713	Hex Bolt	4
	MT10-1084	Steering Knuckle Assy, R.H.	1	45	11500191	Lock Washer	4
	MT10-1085	Steering Knuckle, L.H.	1	46	MT93-1283	Clamp Sleeve	2
	MT10-1086	Steering Knuckle, R.H.	1	47	CT8-1091	Revolution Sensor	2
14	MT10-1087	Grease Seal	4	48	CT8-1092	Connecting Holder	1
15	MT10-1088	Bushing-Knuckle Pin	4	49	CT8-1093	Holder Plate	2
16	MT10-1089	Kingpin Upper	2				
17	MT10-1090	Cap	4				
18	MT14-1119	Grease Fitting 45°	6				
19	MT10-1091	Kingpin Lower	2				
20	MT10-1092	Gasket	4				
21	11500716	Hex Bolt	12				
22	11500191	Lock Washer	18				
23	MT14-1092	Oil Seal	2				
24	MT10-1094	Dust Plate	2				
25	11500190	Lock Washer	8				
						AR = As Required	

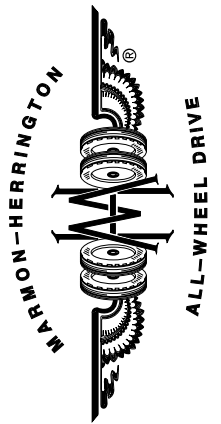
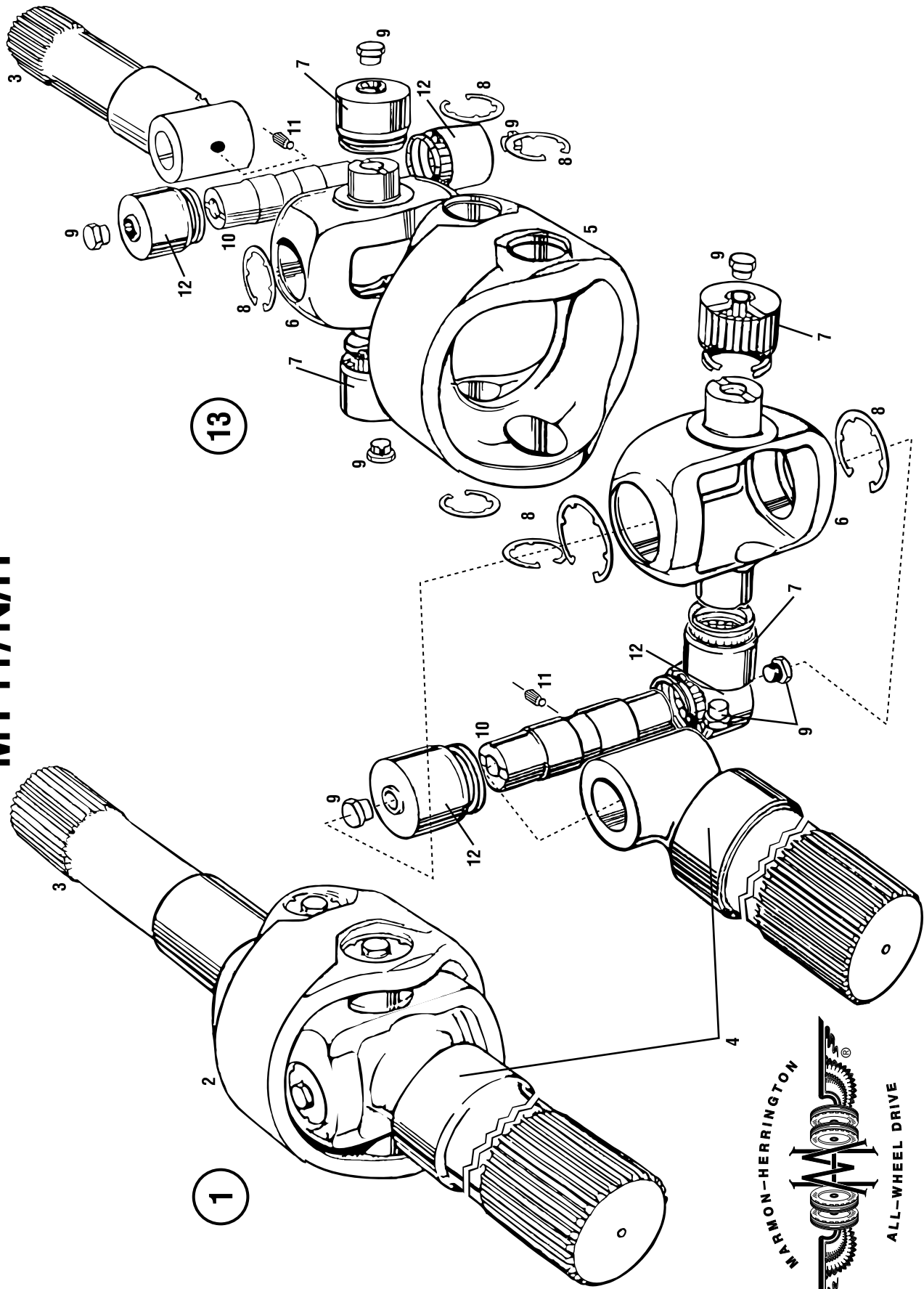
MARMON-HERRINGTON ALL-WHEEL DRIVE
 13001 Magisterial Drive • Louisville, KY 40223
 (502) 253-0277 • (800) 227-0727 • Fax (502) 253-0317
 E-mail: info@marmon-herrington.com

AXLE HOUSING MT11/N/H

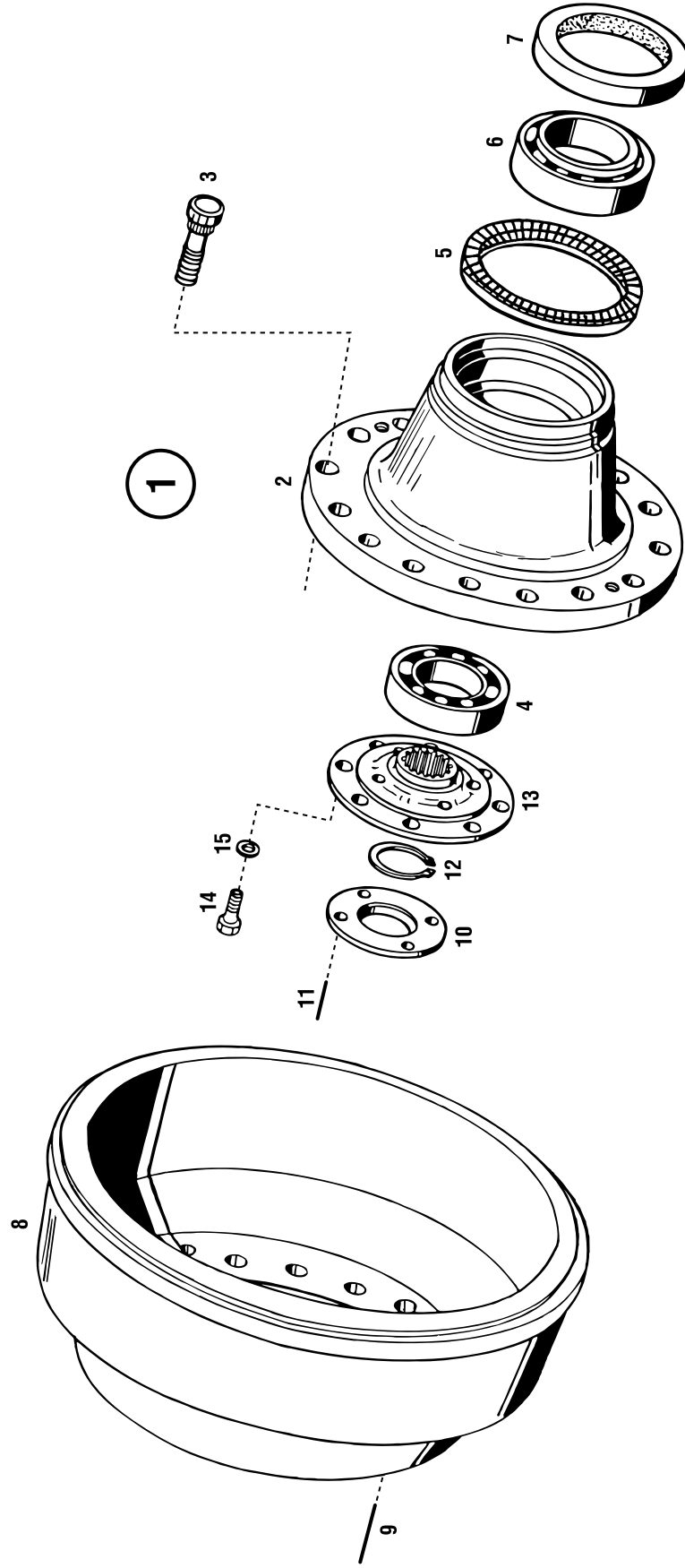


PM04/04

AXLE SHAFT ASSEMBLY MT11/N/H



WHEEL HUB, BRAKE DRUM MT11/N/H



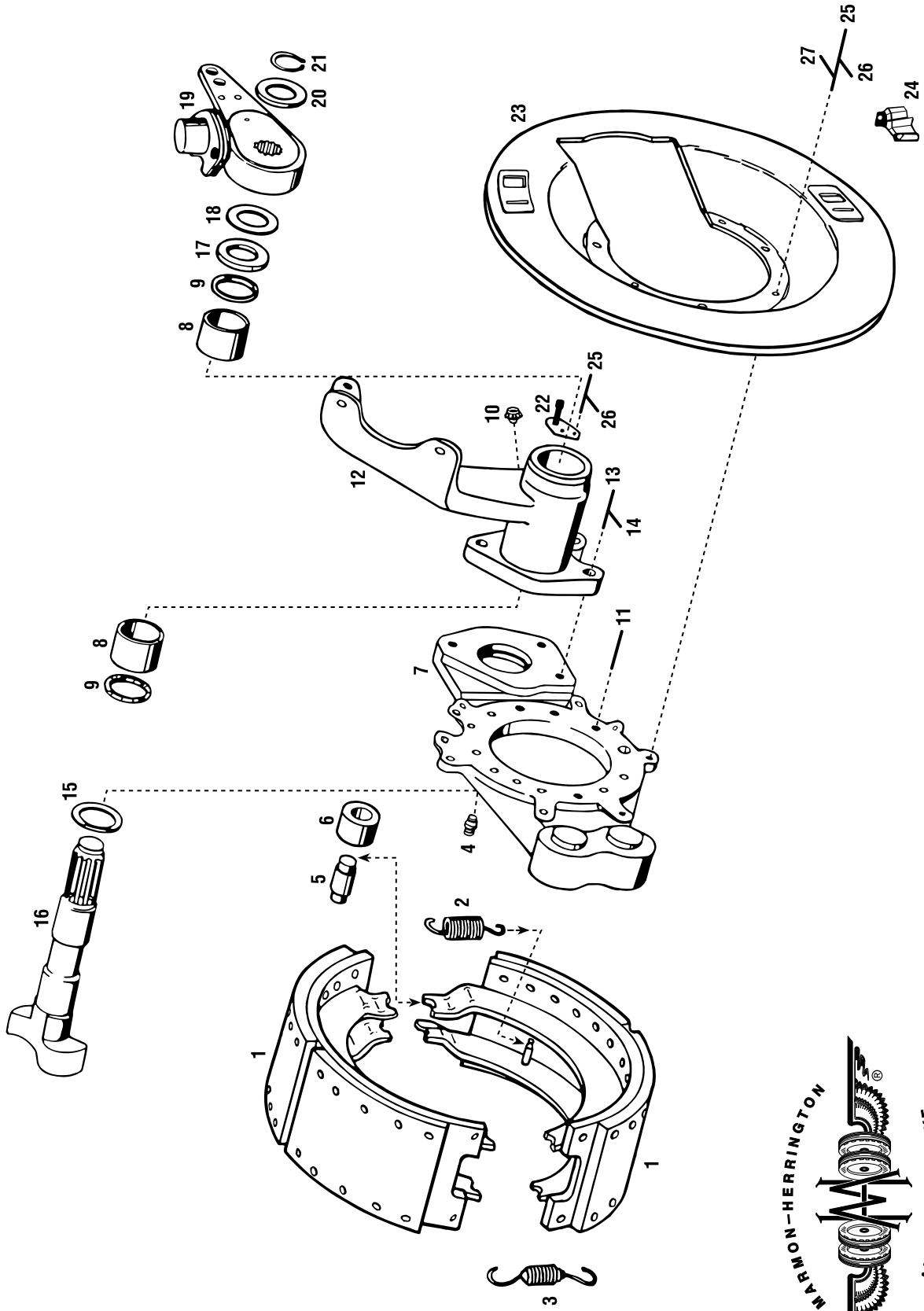
ITEM NO.	MH PART NO.	DESCRIPTION	QTY. REQ.	ITEM NO.	MH PART NO.	DESCRIPTION	QTY. REQ.
1	MT11-1225	Hub Assy. (MT11N)	2				
	MT11-1226	Hub Assy. (MT11H)	2				
2	MT11-1025	Wheel Hub Only	2				
	MT11-1000	Wheel Hub Only (MT11 Only)	2				
3	MT11-1021	Wheel Stud (MT11N Only)	20				
	MT93-1250	Wheel Stud (MT11H Only)	20				
	MT11-1001	Wheel Stud, RH (MT11 Only)	20				
	T15371	Wheel Nut (MT11N Only)	20				
	MT93-1838	Nut (MT11H Only)	20				
4	MT10-1043	Wheel Bearing, Outer	2				
5	MT93-1108	Impulse Ring	2				
6	MT10-1121	Wheel Bearing, Inner	2				
7	MT10-1123	Hub Seal	2				
8	MT11-1026	Brake Drum (MT11N/H Only)	2				
	MT11-1002	Brake Drum (MT11 Only)	2				
9	11500723	Hex Bolt M10x20	4				
10	MT10-1051	Cover	2				
11	11500713	Hex Bolt	8				
12	MT10-1124	Snap Ring	2				
13	MT10-1050	Drive Flange	2				
14	2T351	Hex Bolt	16				
15	103323	Washer	16				

MARMON-HERRINGTON ALL-WHEEL DRIVE
 13001 Magisterial Drive • Louisville, KY 40223
 (502) 253-0277 • (800) 227-0727 • Fax (502) 253-0317
 E-mail: info@marmon-herrington.com

**WHEEL HUB, BRAKE DRUM
 MT11/N/H**



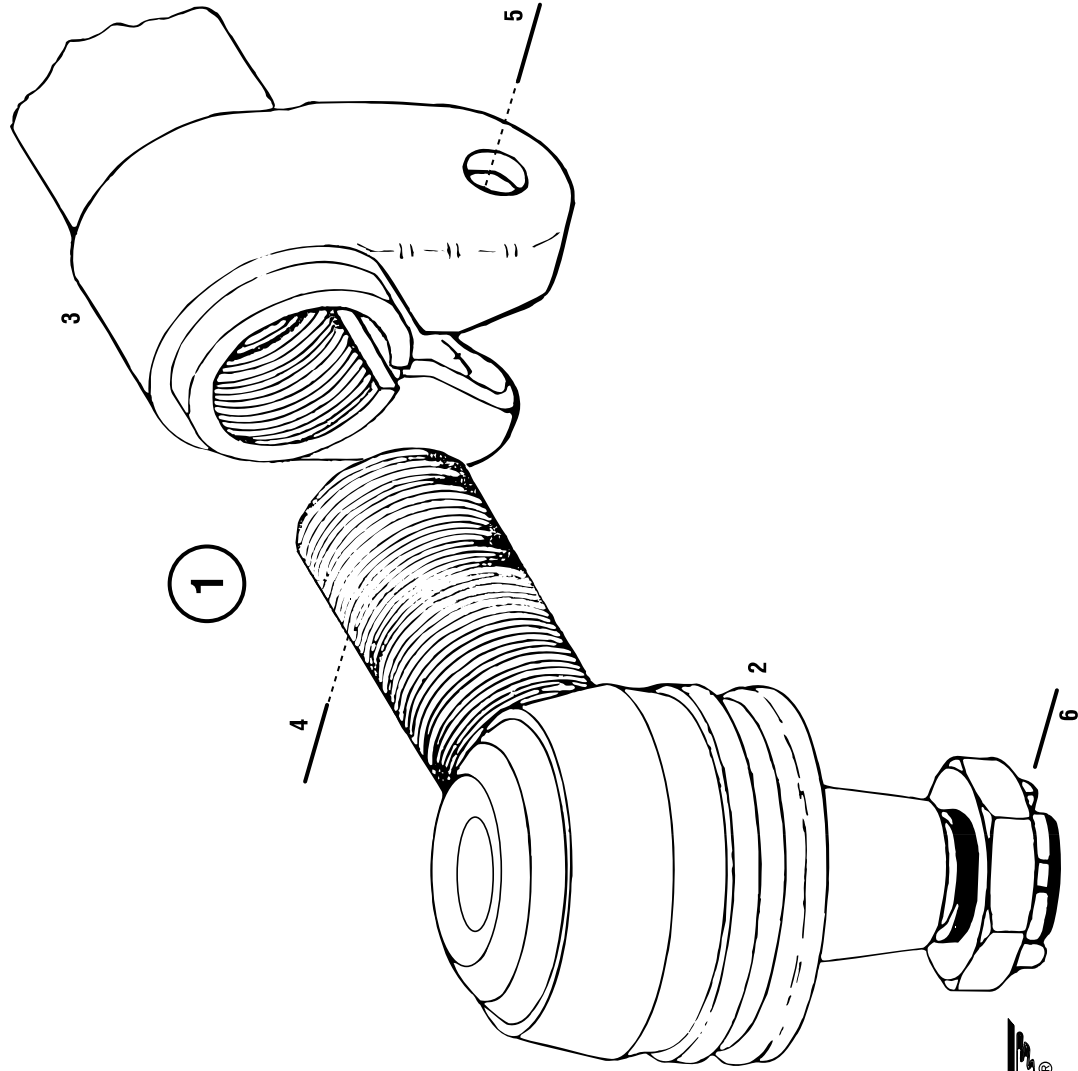
BRAKE MT11/N/H



ITEM NO.	MH PART NO.	DESCRIPTION	QTY. REQ.	ITEM NO.	MH PART NO.	DESCRIPTION	QTY. REQ.
1	MT11-1003	Brake Shoe Assembly	4				
2	MT14-1157	Return Spring, Short	4				
3	MT14-1156	Return Spring, Swivel-Ends	4				
4	MT11-1004	Spring Support Pin	4				
5	MT11-1005	Roller Pin	4				
6	MT11-1006	Brake Shoe Roller	4				
7	MT11-1007	Brake Support, LH	1				
8	MT11-1008	Brake Support, RH	1				
	MT22-1180	Bushing	4				
9	MT22-1179	Oil Seal	4				
10	MT14-1119	Grease Fitting	2				
11	MT10-1105	Hex Bolt	24				
12	MT11-1010	Air Chamber Bracket, LH Assy.	1				
	MT11-1011	Air Chamber Bracket, RH Assy.	1				
13	MT22-1183	Hex Bolt	8				
14	11500194	Lock Washer	8				
15	MT14-1145	Spacer	2				
16	MT11-1012	Camshaft, LH	1				
	MT11-1013	Camshaft, RH	1				
17	MT22-1201	Spacer	2				
18	MT22-1199	Shim, 0.5 MM	AR				
19	MT11-1123	Auto Slack Adj., LH (MT11N/H Only)	1				
	MT11-1124	Auto Slack Adj., RH (MT11N/H Only)	1				
	MT11-1016	Manual Slack Adj. (MT11 Only)	1				
20	MT14-1142	Washer	2				
21	MT14-1141	Snap Ring	2				
22	MT22-1239	Auto Slack Stop, LH	1				
	MT22-1240	Auto Slack Stop, RH	1				
23	MT11-1019	Dust Shield	2				
24	MT11-1020	Rubber Plug	4				
25	11500773	Hex Bolt M8x16	14				
26	11500191	Lock Washer M8	14				
27	11500289	Washer M8	10				
						AR = As Required	



TIE-ROD MT11/N/H



ITEM NO.	MH PART NO.	DESCRIPTION	QTY. REQ.	ITEM NO.	MH PART NO.	DESCRIPTION	QTY. REQ.
1	MT10-1127	Tie-Rod Assembly	1				
2	MT10-1128	Ball Joint Head, Left	1				
	MT10-1129	Ball Joint Head, Right	1				
3	MT10-1131	Tie-Rod Tube, with Clamps	1				
4	11500735	Hex Bolt, M12x65-1.75	2				
5	11500756	Nut, M12-1.75	2				
6	103411	Cotter Pin, 3/16x2	2				



**TIE-ROD
MT11/N/H**



13001 Magisterial Drive • Louisville, KY 40223
(502) 253-0277 • (800) 227-0727 • Fax (502) 253-0317
E-mail: info@marmon-herrington.com