

Marmon-Herrington R22N Series Parts Manual

Pro Gear's Marmon-Herrington R22N Series Parts Manual to assist in identifying your Marmon-Herrington unit.

If you need any assistance identifying the correct axle unit for your truck and equipment, contact your Marmon-Herrington replacement part specialists at Pro Gear and Transmission.

Pro Gear Transmission has same day shipping and 1000's of products in stock and ready to ship internationally for your next project.

For parts or service contact the Hendrickson specialists at Pro Gear & Transmission, Inc.

1 (877) 776-4600
(407) 872-1901
parts@eprogear.com



PARTS MANUAL
FOR
R22N/H REAR AXLE

MARMON-HERRINGTON ALL-WHEEL DRIVE

13001 Magisterial Drive • Louisville, KY 40223
(502) 253-0277 • (800) 227-0727 • Fax (502) 253-0317
E-mail: info@marmon-herrington.com

PM12/04

TABLE OF CONTENTS

REPLACEMENT PARTS & WARRANTY CLAIM PROCEDURE	3
DIFFERENTIAL CARRIER HOUSING R22N/H	4-5
TANDEM DIFFERENTIAL R22N/H	6-7
CARRIER AIR CHAMBER R22N/H	8-9
AXLE HOUSING & AXLE SHAFT R22N/H	10-11
PLANETARY R22N/H	12-13
WHEEL HUB, BRAKE DRUM R22N/H	14-15
BRAKE R22N/H	16-17



MARMON-HERRINGTON ALL-WHEEL DRIVE
13001 Magisterial Drive • Louisville, KY 40223
(502) 253-0277 • (800) 227-0727 • Fax (502) 253-0317
E-mail: info@marmon-herrington.com

PM12/04

REPLACEMENT PARTS

When ordering replacement parts for **MARMON-HERRINGTON LOW FLOOR** conversions, the following information should be given:

1. **FACTORY ORDER NUMBER** (found on I.D. Plate or small plate affixed to axle housing). This will be a six (6) digit number. (See illustrations this page.)
2. Component for which parts are required, i.e. front drive axle or transfer case/drop box.
3. Model of axle and/or transfer case/drop box, i.e. MT10, MVG 750, MDB500.
4. Give quantity and part number required.
NOTE: Drivelines, shift linkage, etc., can be found on the computer printout of Bill of Material, which is included in the Service Manual.
5. Give complete billing and shipping address.

WARRANTY CLAIM PROCEDURE

Before proceeding with repairs or ordering parts that you feel may be covered under warranty, you must first contact Marmon-Herrington Customer Service Department and obtain a Repair Authorization Number.


Please be prepared to supply all of the following information:

- **Factory Order Number** – This is located on an ID plate fixed to either the driver's door panel or the component (axle or transfer case) itself.
- **Model and Serial Number** (required) – Again located on the ID plate fixed to either the driver's door panel or the component itself.
- **Vehicle Year, Make and Model**
- **Vehicle Identification Number**
- **Mileage**
- **In Service Date**

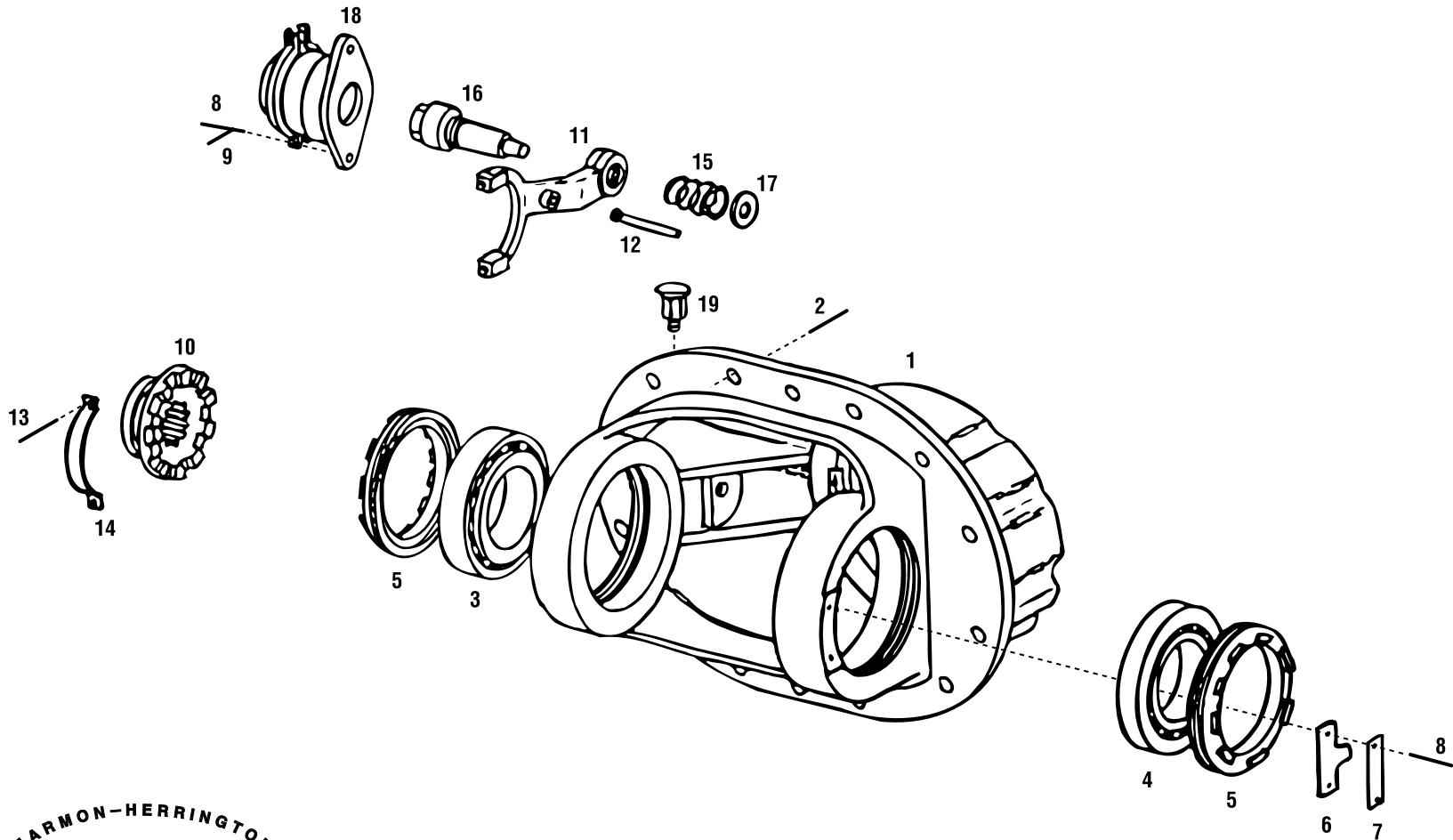
The information necessary for replacement parts and/or warranty claim procedures will be found on either plate design.

MARMON-HERRINGTON			
SALES ORDER	0000-00	RATIO	
S/N		TYPE	
CUST P/N			

MARMON-HERRINGTON			
SALES ORDER	0000-00		
S/N		TYPE	
CUST P/N			
COVERED BY ONE OR MORE OF THE FOLLOWING PATENTS: U.S. PATENTS 4,878,691; 4,934,733; 5,016,912; 5,275,430; 5,839,750; AND 6,398,251; AND CA PATENT 1,316,185. OTHER U.S. AND FOREIGN PATENTS PENDING.			

 <p>MARMON-HERRINGTON ALL-WHEEL DRIVE LOUISVILLE, KENTUCKY U.S.A.</p>	
FACTORY ORDER NO.	0000-00
INSTALLED BY	
FRONT DRIVING AXLE	
MODEL	
CAPACITY	
SERIAL NO.	
RATIO	
TRANSFER CASE	
MODEL	
SERIAL NO.	

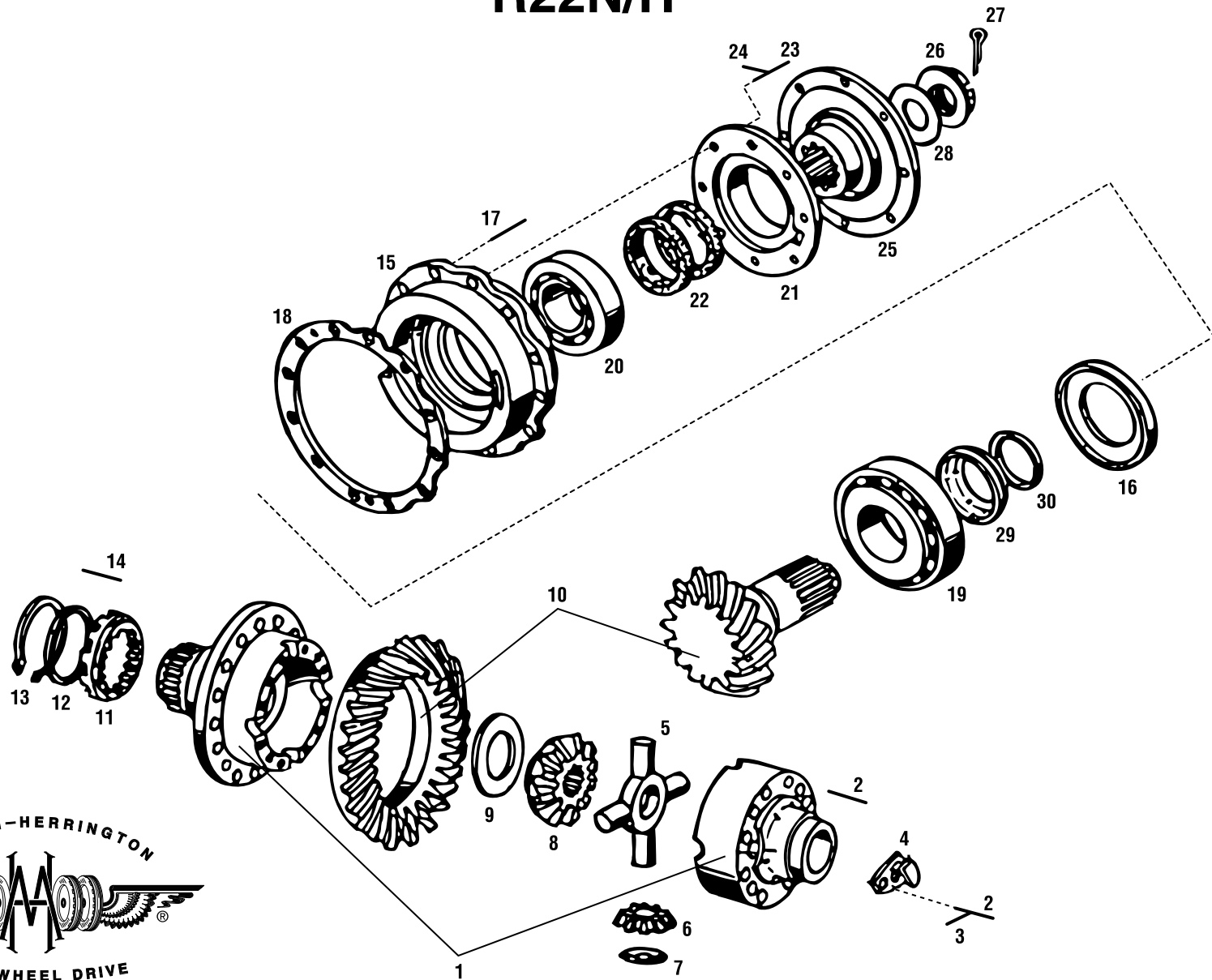
DIFFERENTIAL CARRIER HOUSING R22N/H



ITEM NO.	MH PART NO.	DESCRIPTION	QTY. REQ.	ITEM NO.	MH PART NO.	DESCRIPTION	QTY. REQ.
1	R22-1039	Differential Carrier Housing	1				
2	MT22-1077	Flanged Bolt, Special	14				
3	MT22-1212	Taper Roller Bearing	1				
4	MT22-1078	Taper Roller Bearing	1				
5	MT22-1079	Bearing Adjuster, M133x2	2				
6	MT22-1080	Adjuster Lock Plate	2				
7	MT22-1081	Lock Plate	2				
8	11500773	Hex Bolt, M8x16	6				
9	11500191	Flat Lock Washer	2				
10	R22-1011	Toothed Hub	1				
11	R22-1012	Shift Fork	1				
12	R22-1013	Guide Pin	1				
13	R22-1014	Clevis	1				
14	11504971	Hex Bolt, M5x12	2				
15	R22-1015	Spring	1				
16	R22-1016	Push Rod	1				
17	R22-1017	Washer	AR				
18	R22-1021	Differential Lock Actuating Air Chamber Assy.	2				
19	MT14-1068	Vent Valve	1				
		AR = As Required					



TANDEM DIFFERENTIAL R22N/H



COMPLETE CARRIER ASSEMBLY				ITEM NO.	MH PART NO.	DESCRIPTION	QTY. REQ.
CARRIER P/N	PINION & RING GEAR RATIO	FINAL RATIO	DIFFERENTIAL CASE	13	R22-1027	Snap Ring	1
R22-1001	1.227	4.25	R22-1018	14	RF22-1250	Self-Lock Flange Bolt	16
R22-1002	1.318	4.56	R22-1018	15	MT22-1068	Bearing Cage Assy. (Includes Item #16)	1
R22-1003	1.422	4.92	R22-1033	16	MT14-1078	Oil Baffle Plate	1
R22-1004	1.526	5.29	R22-1033	17	MT22-1077	Flanged Bolt, Special	12
R22-1005	1.632	5.65	R22-1033	18	MT22-1067A	Shim, 1.0 MM	AR
R22-1006	1.812	6.27	R22-1033		MT22-1067B	Shim, .50 MM	AR
R22-1007	1.929	6.68	R22-1033		MT22-1067C	Shim, .30 MM	AR
					MT22-1067D	Shim, .25 MM	AR
					MT22-1067E	Shim, .20 MM	AR
ITEM NO.	MH PART NO.	DESCRIPTION	QTY. REQ.	19	MT14-1075	Pinion Bearing, Inner	1
1	R22-1018	Differential Case Halves, Assy. (4.25-4.56) (Includes Item #'s 2, 3, 4)	1	20	MT14-1079	Pinion Bearing, Outer	1
	R22-1033	Differential Case Halves, Assy. (4.92-6.68) (Includes Item #'s 2, 3, 4)	1	21	MT22-1070	Cover	1
2	MT22-1066	Hex Bolt, M10x75	12	22	MT22-1069	Oil Seal Kit, Pinion	1
3	MT22-1065	Washer, Special	2	23	11500713	Hex Bolt, M8x20	8
4	RF22-1064	Oil Baffle Plate	2	24	11500191	Flat Lock Washer, M8	8
5	MT22-1061	Differential Cross	1	25	MT17-1050	Companion Flange, 1610 Series	1
6	MT22-1062	Differential Pinion Gear	4	26	MT14-1082	Pinion Castle Nut	1
7	MT22-1063	Washer, Differential Pinion Gear	4	27	103422	Cotter Pin	1
8	RF22-1093	Differential Side Gear	2	28	MT22-1074	Washer, Special	1
9	MT22-1059	Washer, Differential Side Gear	2	29	MT14-1076	Distance Sleeve	1
10	MT23-1054	Ring Gear and Pinion (1.227) 4.25	1	30	MT14-1077A	Bearing Distance Ring, 6.90 MM	AR*
	MT23-1053	Ring Gear and Pinion (1.318) 4.56	1		MT14-1077B	Bearing Distance Ring, 7.00 MM	AR
	MT23-1056	Ring Gear and Pinion (1.422) 4.92	1		MT14-1077C	Bearing Distance Ring, 7.02 MM	AR
	MT23-1057	Ring Gear and Pinion (1.526) 5.29	1		MT14-1077D	Bearing Distance Ring, 7.04 MM	AR
	MT23-1043	Ring Gear and Pinion (1.553) 5.38	1		MT14-1077E	Bearing Distance Ring, 7.06 MM	AR
	MT23-1055	Ring Gear and Pinion (1.632) 5.65	1		MT14-1077F	Bearing Distance Ring, 7.08 MM	AR
	MT23-1047	Ring Gear and Pinion (1.684) 5.83	1		MT14-1077G	Bearing Distance Ring, 7.10 MM	AR
	MT23-1046	Ring Gear and Pinion (1.765) 6.11	1		MT14-1077H	Bearing Distance Ring, 7.20 MM	AR
	MT23-1058	Ring Gear and Pinion (1.812) 6.27	1		MT14-1077I	Bearing Distance Ring, 7.32 MM	AR
	MT23-1040	Ring Gear and Pinion (1.929) 6.68	1		MT14-1077J	Bearing Distance Ring, 7.44 MM	AR
	MT23-1041	Ring Gear and Pinion (2.077) 7.14	1		MT14-1077K	Bearing Distance Ring, 7.56 MM	AR
MT23-1042	Ring Gear and Pinion (2.231) 7.72	1	MT14-1077L	Bearing Distance Ring, 7.68 MM	AR		
MT23-1044	Ring Gear and Pinion (2.415) 8.36	1	MT14-1077M	Bearing Distance Ring, 7.80 MM	AR		
MT23-1045	Ring Gear and Pinion (2.462) 8.52	1	MT14-1077N	Bearing Distance Ring, 7.92 MM	AR		
11	R22-1019	Clutch Ring	1	AR = As Required			
12	R22-1020	Spacer Ring	1	*Note: Choose 2 to produce proper bearing preload.			

MARMON-HERRINGTON ALL-WHEEL DRIVE

13001 Magisterial Drive • Louisville, KY 40223

(502) 253-0277 • (800) 227-0727 • Fax (502) 253-0317

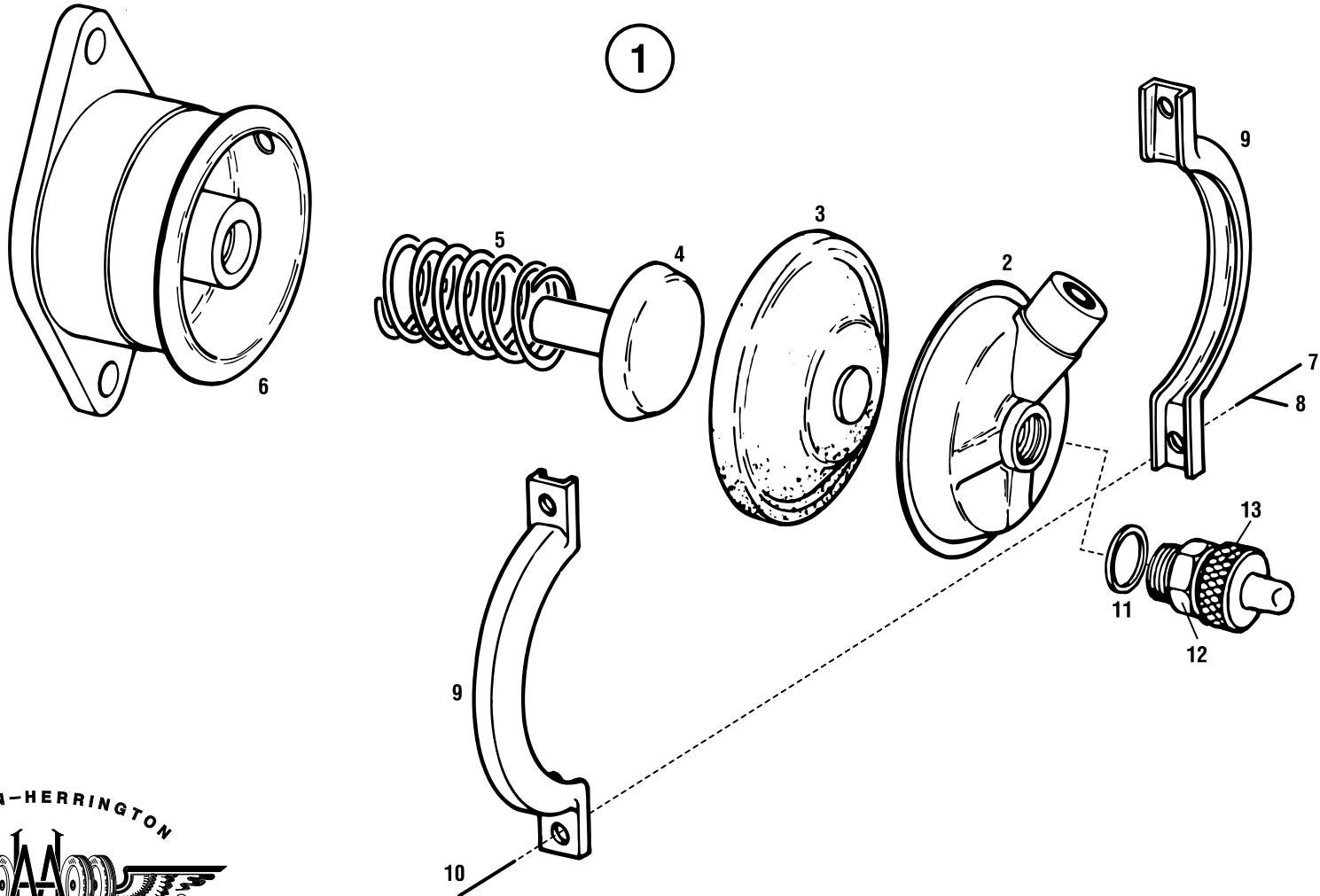
E-mail: info@harmharrington.com • P.O. Box 100 • Gore St. Orlando, FL 32805 • 1 (877) 776-4600 / (407) 253-0277 • parts@eprogear.com

TANDEM DIFFERENTIAL

R22N/H



CARRIER AIR CHAMBER R22N/H



ITEM NO.	MH PART NO.	DESCRIPTION	QTY. REQ.	ITEM NO.	MH PART NO.	DESCRIPTION	QTY. REQ.
1	R22-1021	Differential Lock Actuating Air Chamber Assy.	1				
2	R22-1022	Cap	1				
3	R22-1023	Diaphragm	1				
4	R22-1024	Spring Cup	1				
5	R22-1025	Spring	1				
6	R22-1026	Housing	1				
7	103024	Hex Nut NF	2				
8	103319	Lock Washer	2				
9	R22-1029	Clamp Half	2				
10	454826	Hex Bolt 1/4x1 NF	2				
11	MVG12-1040	Washer	1				
12	MVG12-1041	Switch	1				
13	MT75-7750	Connecting	1				

MARMON-HERRINGTON ALL-WHEEL DRIVE

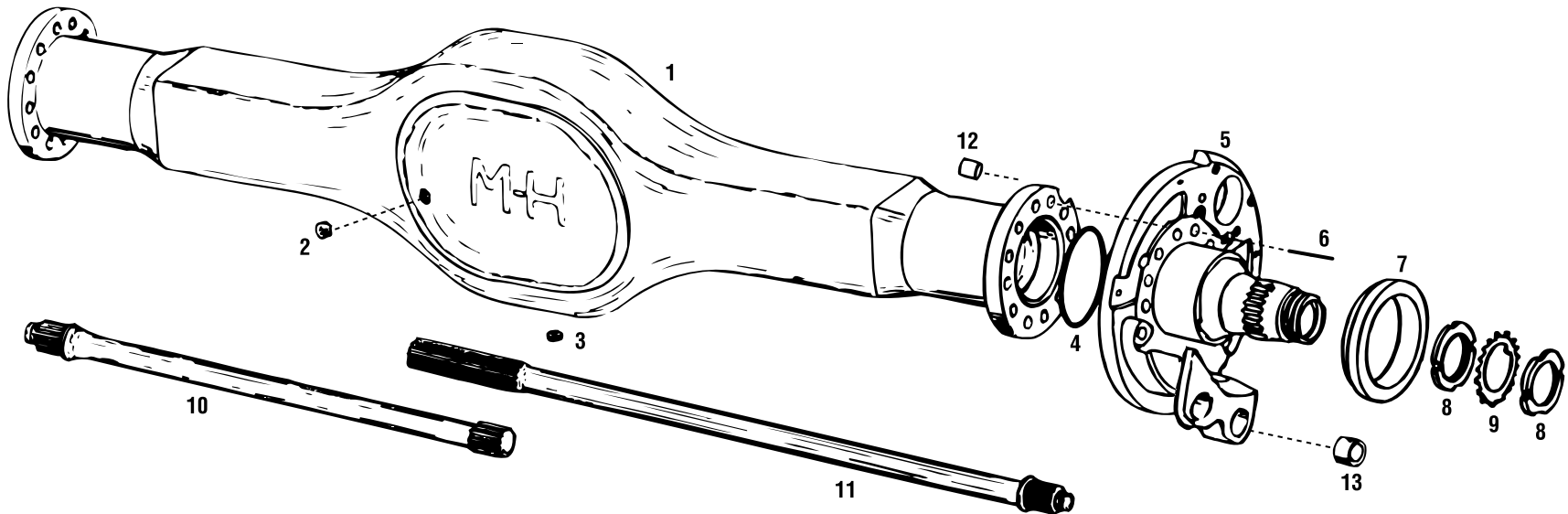
13001 Magisterial Drive • Louisville, KY 40223
 (502) 253-0277 • (800) 227-0727 • Fax (502) 253-0317
 Pro Gear and Transmission • 906 W. Gore St. Orlando, FL 32805 • 1 (877) 776-4600 / (407) 231-1901 • parts@eprogear.com
 E-mail: info@marmonherrington.com

CARRIER AIR CHAMBER

R22NH

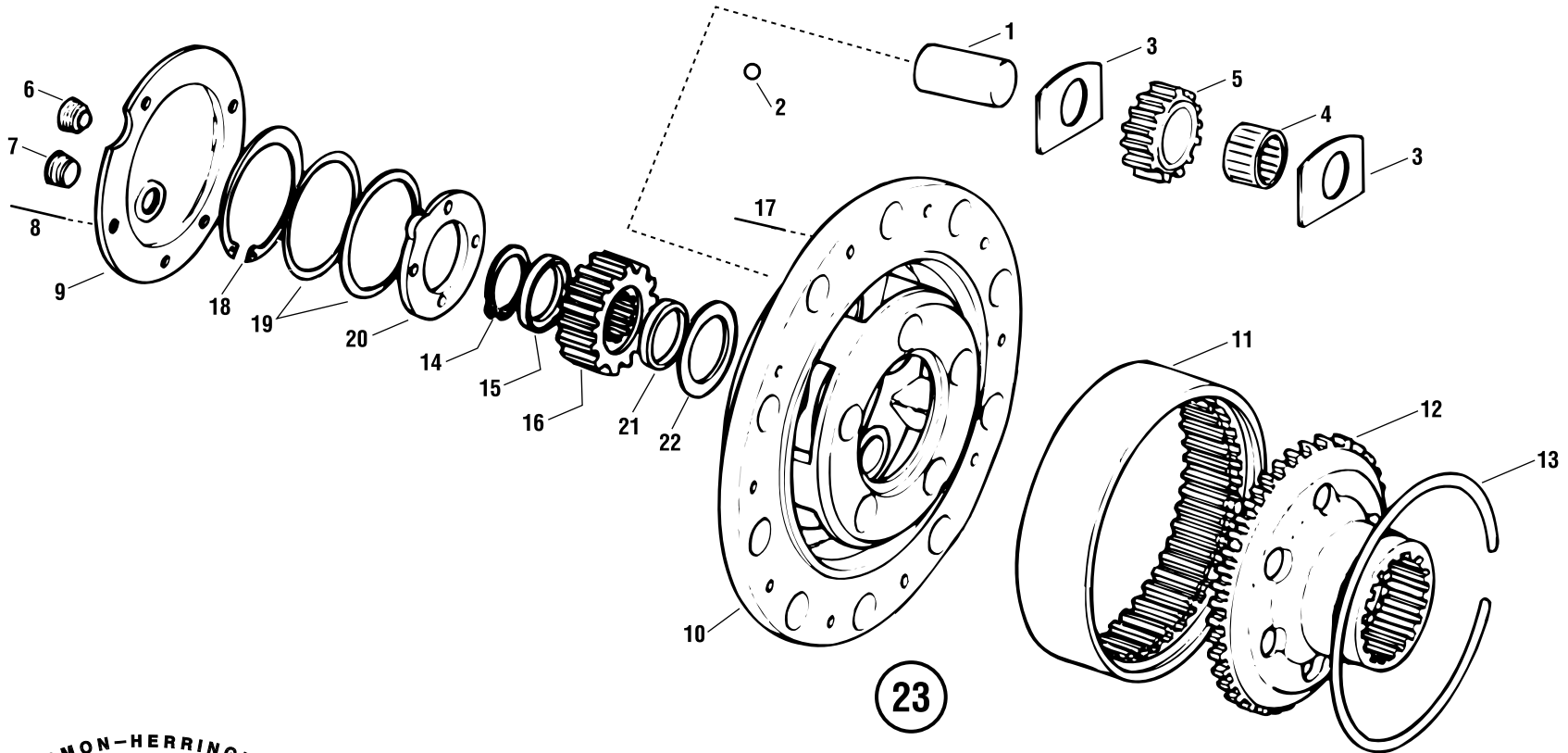


AXLE HOUSING & AXLE SHAFT R22N/H



ITEM NO.	MH PART NO.	DESCRIPTION	QTY. REQ.	ITEM NO.	MH PART NO.	DESCRIPTION	QTY. REQ.
1	R22-1034	Axle Housing	1				
2	MT14-1070	Fill Plug, Carrier	1				
3	MT14-1071	Drain Plug, Carrier	1				
4	MT14-1088	O-Ring, Housing to Yoke, 119x5	2				
5	R22-1207	Spindle Assy., L.H. (Incl. Item #'s 12,13)	1				
	R22-1208	Spindle Assy., R.H. (Incl. Item #'s 12,13)	1				
6	R22-1209	Hex Bolt	22				
7	R22-1037	Shoulder Ring ABS	2				
8	MT22-1132	Spindle Nut, M70x2	4				
9	MT22-1133	Locking Plate	2				
10	RF22-1102	Axle Shaft	1				
11	RF22-1103	Axle Shaft, Differential Lock Side	1				
12	MT17-1112	Bushing	2				
13	MT22-1241	Bushing	4				
		AR = As Required					

PLANETARY R22N/H



ITEM NO.	MH PART NO.	DESCRIPTION	QTY. REQ.	ITEM NO.	MH PART NO.	DESCRIPTION	QTY. REQ.
1	MT14-1217	Planet Gear Pin	10				
2	MT14-1218	Steel Ball	10				
3	MT14-1219	Distance Plate	20				
4	MT14-1220	Roller Bearing Assy.	10				
5	MT14-1028	Planet Gear	10				
6	MT14-1071	Magnetic Drain Plug	2				
7	MT14-1070	Fill Plug	2				
8	11500723	Hex Bolt, M10 X 20	10				
9	MT22-1156	End Cover	2				
10	MT22-1161	Planet Gear Carrier	2				
	MT22H-1161	Planet Gear Carrier Hub Pilot (R22H Only)	2				
11	MT22-1162	Planetary Ring Gear	2				
12	MT22-1163	Ring Gear Support Hub	2				
13	MT14-1207	Retaining Ring	2				
14	MT22-1154	Snap Ring	2				
15	MT22-1153	Spacer	2				
16	MT22-1152	Sun Gear	2				
17	11500724	Hex Bolt, M10 X 30	12				
18	MT14-1084	Snap Ring	2				
19	MT22-1158A	Shim, 0.25 MM	AR				
	MT22-1158B	Shim, 0.50 MM	AR				
	MT22-1158C	Shim, 2.00 MM	AR				
20	MT22-1159	Friction Disk	2				
21	MT22-1151	Distance Ring	2				
22	MT22-1150	Friction Disk	2				
23	MT22-1200	Planet Gear Carrier Assy. (R22/R/N Only) (Includes Items #1, 2, 3, 4, 5 and 10)	2				
	MT22H-1200	Planet Gear Carrier Assy. (R22H Only) (Includes Items #1, 2, 3, 4, 5 and 10)	2				
		AR = As Required					

MARMON-HERRINGTON ALL-WHEEL DRIVE

13001 Magisterial Drive • Louisville, KY 40223

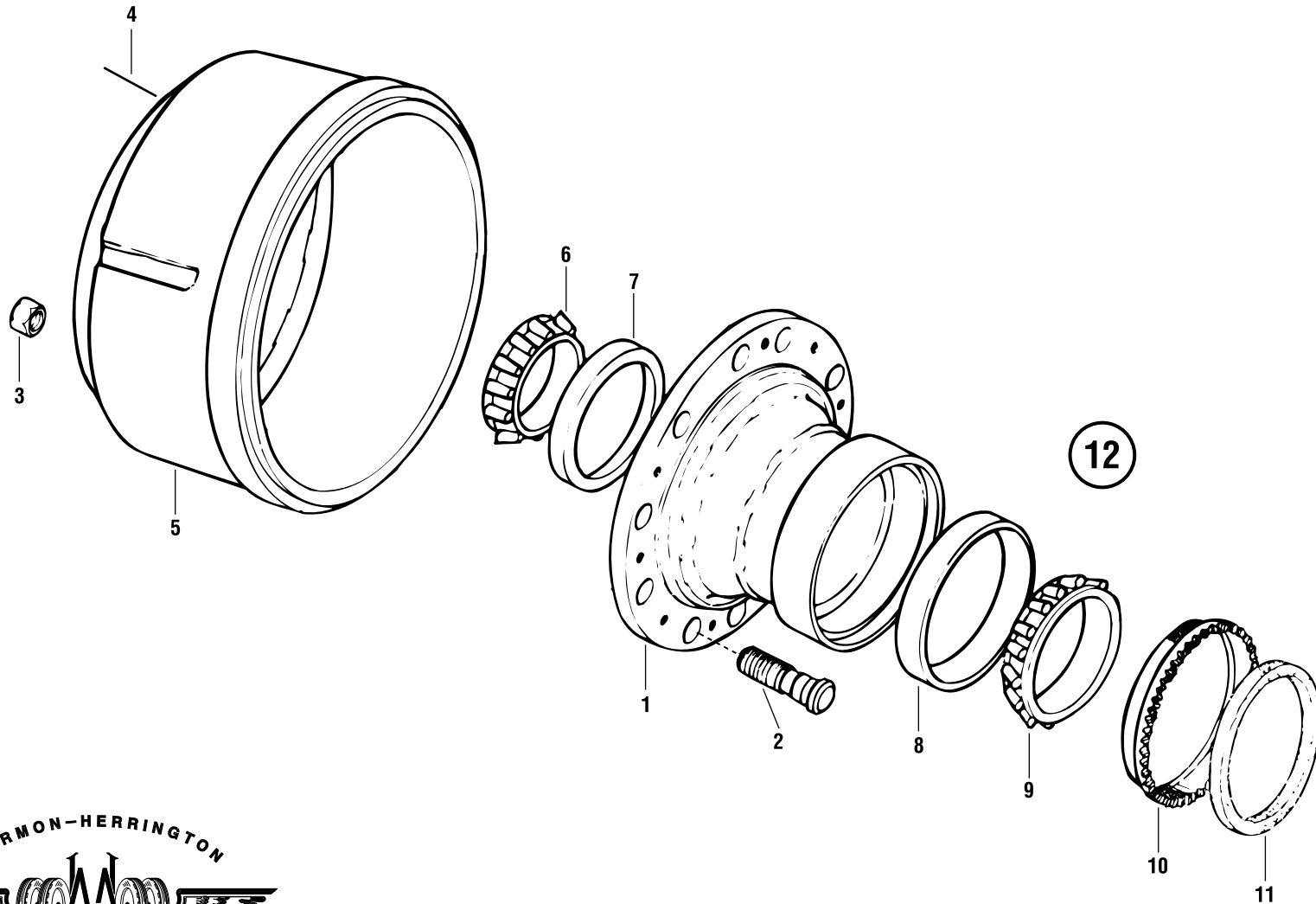
(502) 253-0277 • (800) 227-0727 • Fax (502) 253-0317

E-mail: info@marmonherrington.com • 906 W. Gore St. Orlando, FL 32805 • 1 (877) 776-4600 / (407) 231-1911 • parts@eprogear.com

**PLANETARY
R22N/H**



WHEEL HUB, BRAKE DRUM R22N/H



ITEM NO.	MH PART NO.	DESCRIPTION	QTY. REQ.	ITEM NO.	MH PART NO.	DESCRIPTION	QTY. REQ.
1	MT22R-1168	Hub Assy., R.H. (R22N Only) (Includes Items #2, 6, 7, 8, 9, 11, 12)	2				
	MT22H-1168	Hub Assy. (R22H Only) (Includes Items #2, 6, 7, 8, 9, 11, 12)	2				
	MT22N-1168	Hub Assy., L.H. (R22N Only) (Includes Items #2, 6, 7, 8, 9, 11, 12)	1				
2	MT93-2931	Wheel Stud, L.H., Long (R22N Only)	10				
	MT93-2932	Wheel Stud, R.H., Long (4.625)	20				
	MT22-1134	Wheel Stud Hub Pilot (R22H Only)	20				
3	67011	Wheel Nut, R.H.	20				
	67012	Wheel Nut, L.H. (R22N Only)	10				
	MT93-1197	Flange Wheel Nut (R22H Only)	20				
4	11500779	Hex Bolt, M10 X 40	4				
5	MT22-1165W	Brake Drum	2				
6	MT22-1166	Wheel Bearing, Cone, Outer	2				
7	MT22-1167	Wheel Bearing, Cup, Outer	2				
8	MT22-1170	Wheel Bearing, Cup, Inner	2				
9	MT22-1171	Wheel Bearing, Cone, Inner	2				
10	MT22R-1164	Exciter Ring (R22R/N/H Only)	2				
11	MT22R-1172	Hub Seal (R22R/N/H Only)	2				
12	MT22-1216	Bearing Kit Hub (Includes Items #6, 7, 8, 9)	1				
		AR = As Required					

MARMON-HERRINGTON ALL-WHEEL DRIVE

13001 Magisterial Drive • Louisville, KY 40223

(502) 253-0277 • (800) 227-0727 • Fax (502) 253-0317

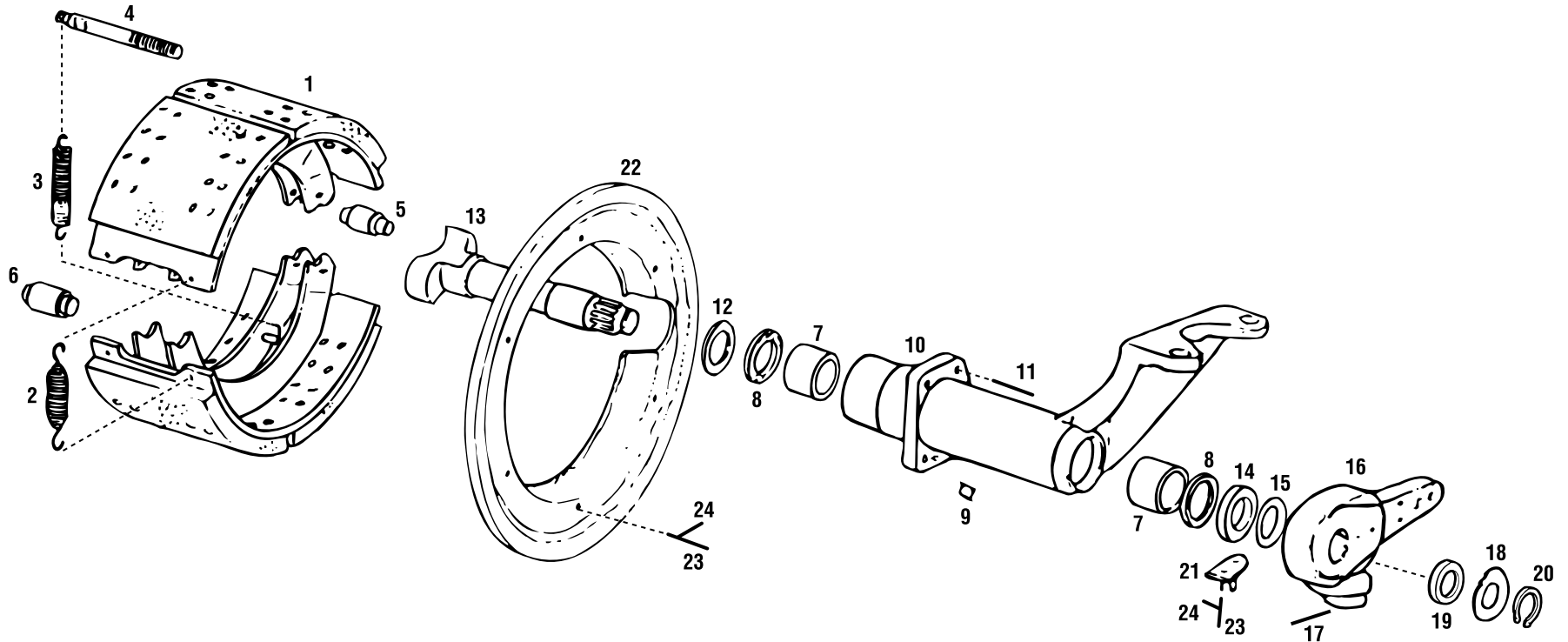
E-mail: info@marmonherrington.com Pro Gear and Transmission • 906 W. Gore St. Orlando, FL 32805 • 1 (877) 776-4600 / (407) 229-1111 • parts@eprogear.com

WHEEL HUB, BRAKE DRUM

R22N/H



BRAKE R22N/H



ITEM NO.	MH PART NO.	DESCRIPTION	QTY. REQ.	ITEM NO.	MH PART NO.	DESCRIPTION	QTY. REQ.
1	MT22-1164	Brake Shoe Assembly	4				
	MT22-1244	Brake Lining Kit	1				
2	MT22-1177	Brake Shoe Spring, Long	4				
3	MT14-1157	Brake Shoe Return Spring, Short	4				
4	MT14-1158	Spring Support Pin	4				
5	R22-1178	Brake Shoe Roller	4				
6	MT22-1243	Brake Shoe Pin	4				
7	MT22-1180	Bushing	4				
8	MT22-1179	Oil Seal	4				
9	MT14-1119	Ball Grease Fitting	2				
10	R22-1140	Brake Chamber Bracket Assy, L.H. (Includes Item #'s 7,8,9)	1				
	R22-1141	Brake Chamber Bracket Assy., R.H. (Includes Item #'s 7,8,9)	1				
11	MT22-1183	Hex Flanged Bolt	8				
12	MT14-1145	Spacer	2				
13	R22-1146	Brake Spanner, L.H.	1				
	R22-1147	Brake Spanner, R.H. (Not Shown)	1				
14	MT22-1201	Spacer	2				
15	MT11-1105	Shim, 0.5 MM	AR				
16	R22-1205	Automatic Slack Adjuster, L.H.	1				
	R22-1206	Automatic Slack Adj., R.H. (Not Shown)	1				
17	MT22-1246	Adjusting Cap, L.H.	1				
	MT22-1247	Adjusting Cap, R.H.	1				
18	MT22-1187	Wear Indicating Washer	2				
19	MT17-1142	Washer	2				
20	MT22-1186	Snap Ring	2				
21	MT22-1239	Stop, L.H.	1				
	MT22-1240	Stop, R.H.	1				
22	MT22-1176	Brake Cover Plate	2				
23	11500773	Hex Bolt, M8x16	16				
24	11500191	Flat Lock Washer	16				
		AR = As Required					

MARMON-HERRINGTON ALL-WHEEL DRIVE

13001 Magisterial Drive • Louisville, KY 40223

(502) 253-0277 • (800) 227-0727 • Fax (502) 253-0317

Pro Gear and Transmission • 906 W. Gore St. Orlando, FL 32805 • 1 (877) 776-4600 / (407) 253-0277 • parts@eprogear.com

E-mail: info@marmonherrington.com

**BRAKE
R22N/H**





13001 Magisterial Drive • Louisville, KY 40223
(502) 253-0277 • (800) 227-0727 • Fax (502) 253-0317
E-mail: info@marmon-herrington.com