



## Meritor Transfer Case Manual

Pro Gear Meritor / Fabco Transfer Case Parts Manual to assist in identifying your Meritor / Fabco unit.

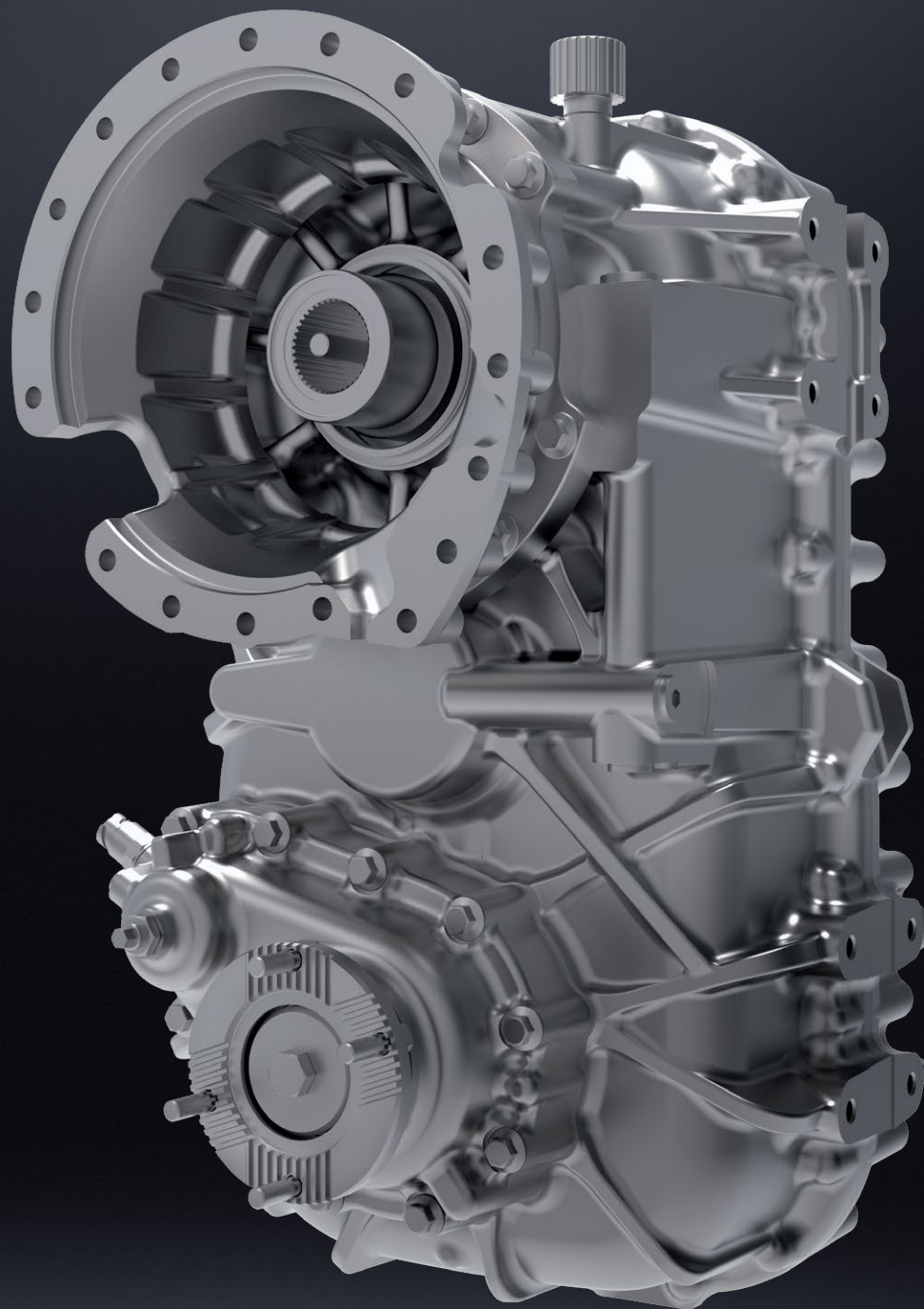
If you need any assistance identifying the correct transfer case unit for your truck and equipment, contact your Meritor / Fabco replacement part specialists at Pro Gear and Transmission.

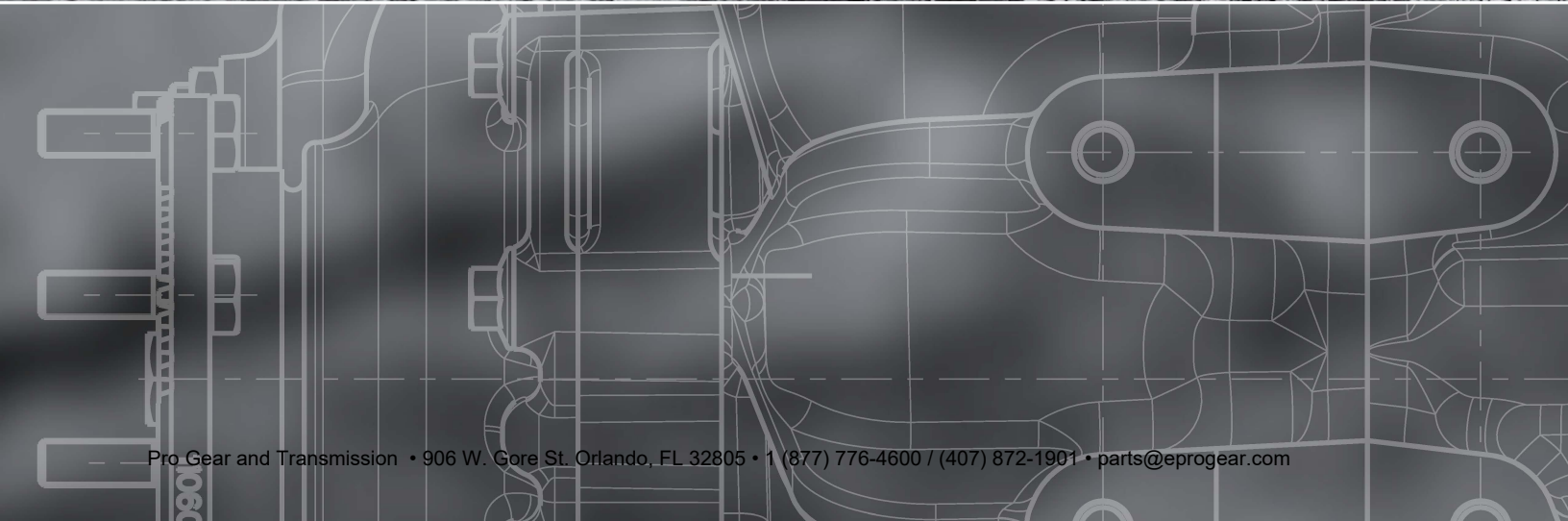
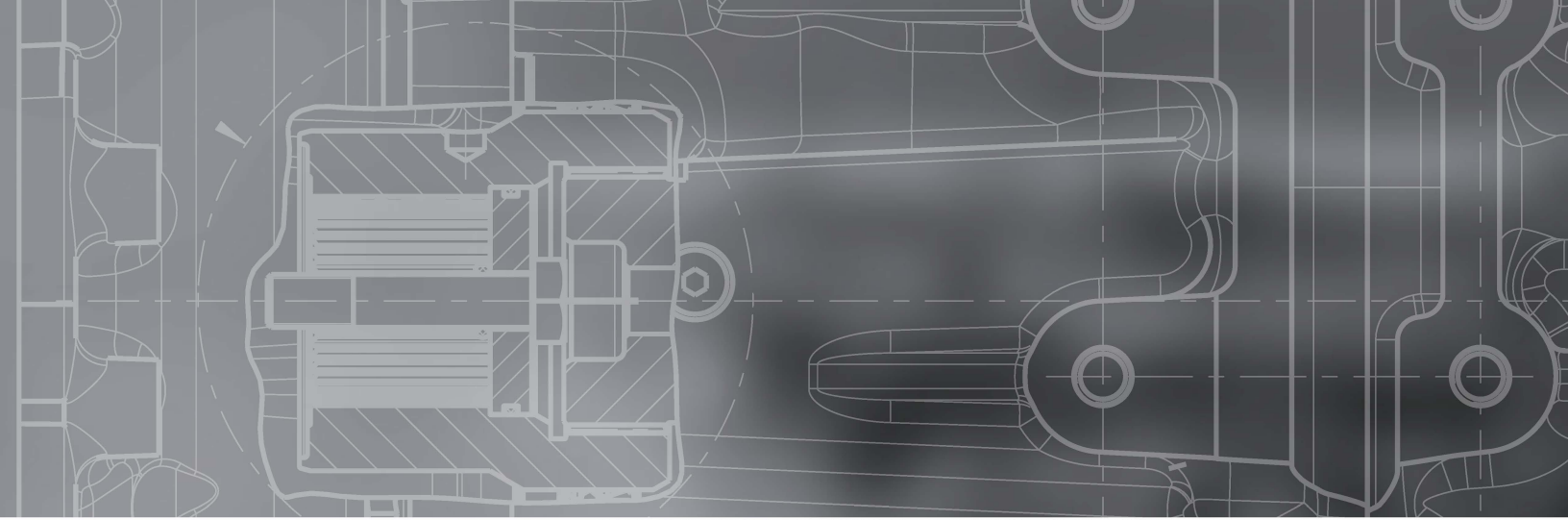
Pro Gear Transmission has same day shipping and 1000's of products in stock and ready to ship internationally for your next project.

For parts or service contact the Meritor / Fabco specialists at Pro Gear & Transmission, Inc.

1 (877) 776-4600  
(407) 872-1901  
parts@eprogear.com

# MERITOR® TRANSFER CASES



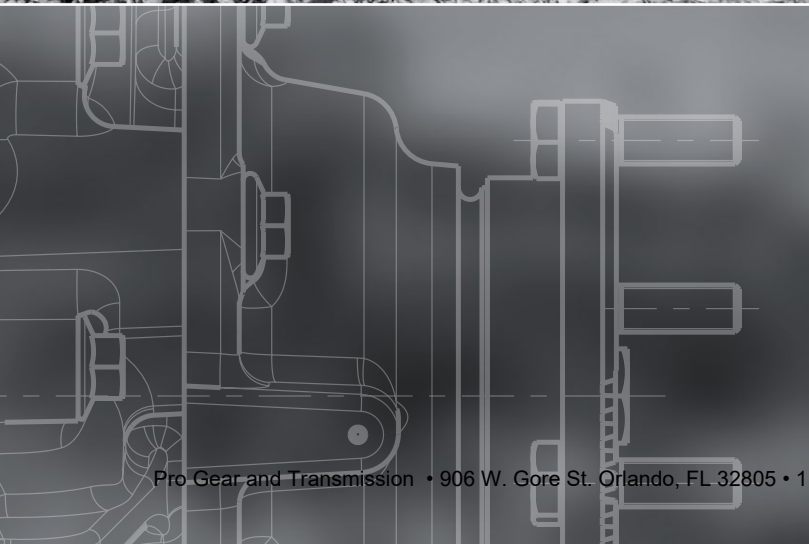


# MERITOR TRANSFER CASES

Meritor is a world leading supplier of axles and braking systems to original equipment manufacturers and aftermarket customers, with a focus on delivering efficiency, performance and advanced engineering solutions. Our footprint includes manufacturing sites for drive axles and brakes as well as a network of distribution centers for aftermarket parts.

Meritor's (Steyr, Austria) site is a center for the development, prototyping, production and testing of special powertrain components with a focus on heavy-duty, all-wheel-drive transfer cases.

Leading global vehicle manufacturers and powertrain system suppliers rely on Meritor's experience from the first sketch of a new solution through series production to deliver quick speed-to-market, even for low-volume products.



# BUILT FOR THE MOST DEMANDING SITUATIONS

Meritor transfer cases offer optimum mobility, excellent durability and fit for multiple applications, including medium- and heavy-duty trucks for off- and on-highway applications, agricultural machinery, mining equipment and defense applications.

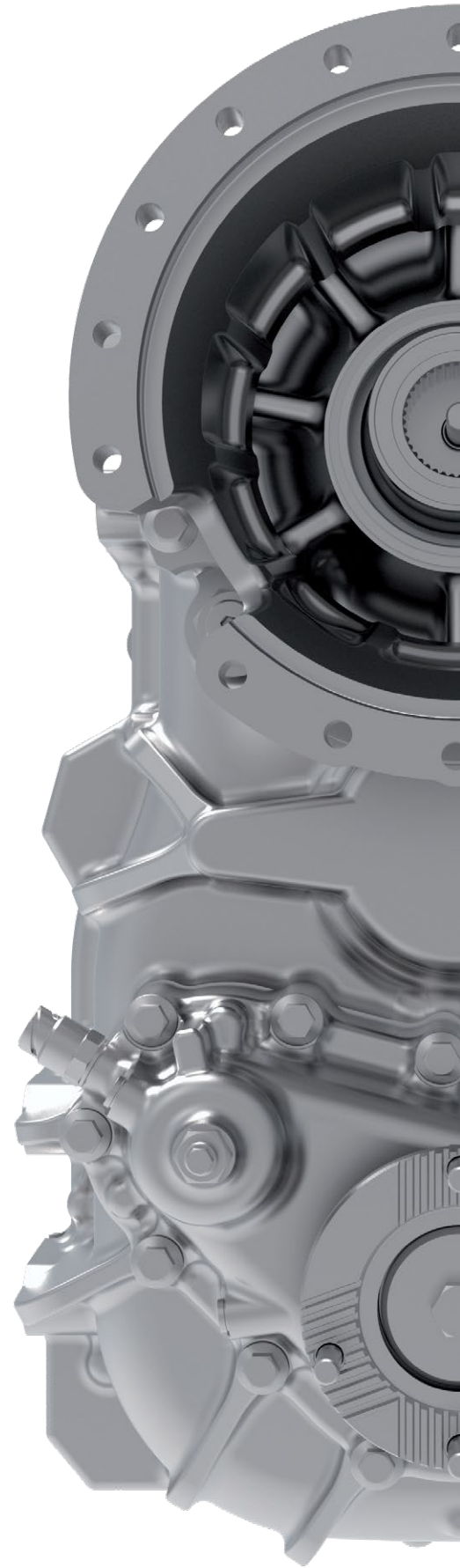
Designed for remote- and direct-mounted use in a range of main transmissions, Meritor's transfer cases are produced under serial conditions, even for prototype batches.

Product validation includes:

- Inclination, overload and durability testing
- Product performance analysis and optimization
- Performance verification



**MTC-3208-GV (RTC-50)**  
Ideal for input torque up to 7,700 ft-lb  
(10,500 Nm)



# TAILORED PRODUCTS DESIGNED FOR THE CUSTOMER

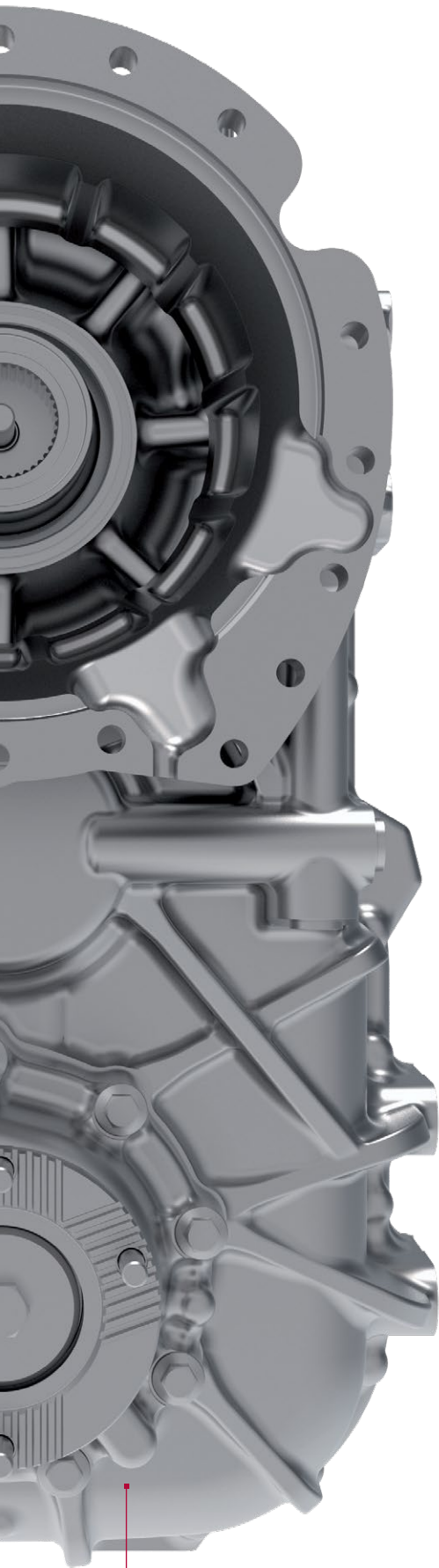
Beginning with an analysis of customer requirements, Meritor's engineers are ready to support with product development focused on delivering value and on-time delivery.

Unparalleled flexibility and innovation ensure delivery of the right solution to meet or exceed each customer's performance and quality requirements.

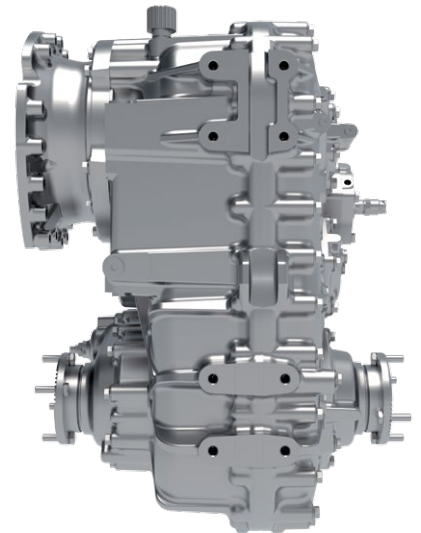
Ultimately, Meritor's goal is close collaboration from the first sketch through running pre-series or series production of transfer cases, axle systems, power-take-off units and other powertrain components.

Meritor's engineers in Steyr, Austria develop high-quality commercial vehicle products with the latest technology, focusing on:

- Designing and engineering
- Prototyping and testing
- Industrialization
- Maintenance



**MTC-3209-GV (MTC/RTC-60)**  
Available for both remote and direct mount  
to gearboxes such as the Allison 3000 series



# TRANSFER CASE LINE-UP

MODEL	SPEED (RPM)	INPUT TORQUE (LB-FT)	RATIOS HIGH	RATIOS LOW	WEIGHT (LBS)	MATERIAL		FRONT OUTPUT CENTER DISTANCES		REAR OUTPUT CENTER DISTANCES					
						Cast Iron	Aluminum	Down (in inches)	Curb (in inches)	Down (in inches)	Curb (in mm)				
MTC4206FV (TC-38)	3,500	6,000	1:1	2.22:1	450	s		7.51	9.52	8.49*	-				
MTC4208XL-EVO	3,515	9,750	1:1	2.05:1	620	s		9.00	11.14	9.00	2.75				
MTC4208/10X						s									
MTC4208/10XP						s									
MTC4210XL-EVO						s									
MTC4213-X						s						Coaxial			
MTC3106FV (TC-137)	3,500	6,000	1:1	-	350		s	12.00	-	12.00	-				
MTC3111 (T-2111)	2,850	11,000			380	s	9.32	Coaxial							
MTC3112CV (529)	3,000	12,000 / 18,000 thru-shaft			670	s	16.92	16.92		-					
MTC3112CV (548C)	3,700	12,000			490		s	13.50		13.50	-				
MTC3116 (T-2111)	2,850	15,600			380	s	16.13	Coaxial							
MTC3118FV (TC-180)	3,000	18,000 thru-shaft			575	s	16.25	16.25		-					
MTC3118FV (TC-180-23)					670	s	23.29	23.29		-					
MTC3118CV (358)					375		s	16.92		16.92	-				
MTC3120FV (TC-143)					20,000	825	s	16.06		16.06	-				
MTC3124 (T-2119)					2,600	24,000	1:1 or 0.83:1 or 1.21:1			s	17.25	1.31*	17.25	1.31*	
MTC3203	4,000	3,500	1.25:1	3.75:1	295		s	8.55	11.80	Coaxial					
MTC3205GV (MTC 25/350)	5,300	4,400	0.9:1	2.1:1	229		s	13.80	-	13.80	-				
MTC3205GV (RTC 25/350)					225		s								
MTC3205GV (MTC 25/247)					229		s					9.72	9.72	9.72	9.72
MTC3206FV (TC-237)	3,500	6,000	1:1	2.22:1	350		s	12.00	-	12.00	-				
MTC3206CV (544)							s	11.64	2.05	Coaxial					
MTC3206	4,000		1.25:1	3.75:1	305		s	14.10	2.40	Coaxial					
MTC3208GV (RTC 50)	3,800	7,700	1:1	2:1	262		s	10.63	1.18	10.63	1.18				
MTC3209GV (MTC 60/420)	3,500	9,200	1.09:1	2.47:1	478		s	16.50	-	16.50	-				
MTC3209GV (RTC 60/420)					459		s								
MTC3209GV (MTC 60/380)					465		s					14.96	6.99	14.96	6.99
MTC3209GV (RTC 60/380)					445		s								
MTC3212CV (315)	3,700	12,000	1:1	2.52:1	550		s	16.92	-	16.92	-				
MTC3212CV (548B)							s	13.50		13.50					
MTC3212FV (TC-270)	3,000	20,000	1:1	2.23:1	700		s	16.06	-	16.06	-				
MTC3220FV (TC-142)						s									
MTC2212CV (306)	3,000	12,000	1:1 or 0.85:1	2.5:1	425		s	8.46	-	8.46	-				

\* for MTC4206 not down but rear - for MTC3124 not curb but driver

\*\* only 30/70 differential available

\*\*\* also 33/67 differential available

s = standard

o = option

LUBRICATION SYSTEM			SELECTED OPTIONS																		
Splash	Pressurized	Pressurized Integral oil Pump	Single (1) - Two (2) Speed	Additional Ratios	Air Front Clutch	Air Shifted	Electric Shifted	Integral Air Range Shift (mech opt)	Spring Shift to High, Air Shift to Low	PTO	40,675 Nm thru shaft	50/50 Differential	Direct Mount on Transmission	Direct Mount Hydraulic Pump Drive	Oil Pump	Lube Pump w/ Spin-on Filter (std w/ PTO)	Different Pumps	10 degree Down Angle Front Axle Disconnect	Air Engaged Front Axle Disconnect	Parking Brake	
s	0		2			0		0		0											
	s		2																		
	s		2							0											
	s		2							s											
	s		2																		
	s		2																		
s	0		1																		
s	s		1		0																
	s		1		0					0	0										
	s		1 - 2		0					0											
s	0		1		0					0		0**			0						0
s	0		1	0		0				0				0		0/s					
			1	0	0					0					s						
	s		1		0					0					s						
s	0		1			0				0				0		0/s					
	s		1		0							0**									
	s		2			0	0						0		0						
		s	2	0		s						0	s		s				s	0	
		s	2	0		s						0			s				s	0	
		s	2	0		s						0	s		s				s	0	
s	0		2			0		0		0		0									
s	0		2			0												0			
	s		2																		0
		s	2	0	s	s				0		0***			s		0				0
		s	2			s				0		0	s		s		0		s	0	
		s	2			s				0		0			s		0		s	0	
		s	2			s				0		0	s		s		0		s	0	
		s	2			s				0		0			s		0		s	0	
	s		2							s							0		s		
	s		2							s							0		s		
s	0		2			0		0		0											
	s		2			0		0		0											
s	0		2	0					0										0		





Meritor Heavy Vehicle Systems, LLC  
2135 West Maple Road  
Troy, Michigan 48084 USA

Call 1-866-668-7221  
or visit [meritor.com](http://meritor.com)

©2018 Meritor, Inc.  
Litho in Italy, SP-18125  
Revised 09-19