



Primaax EX Firemaax EX Parts Manual

Pro Gear's Hendrickson Primaax EX Firemaax EX Parts Manual to assist in identifying your Hendrickson unit.

If you need any assistance identifying the correct transfer case unit for your truck and equipment, contact your Hendrickson replacement part specialists at Pro Gear and Transmission.

Pro Gear Transmission has same day shipping and 1000's of products in stock and ready to ship internationally for your next project.

For parts or service contact the Hendrickson specialists at Pro Gear & Transmission, Inc.

1 (877) 776-4600
(407) 872-1901
parts@eprogear.com

H PARTS LIST

PRIMAAX® EX • FIREMAAX® EX PRIMAAX® • FIREMAAX® Heavy-duty Rear Air Suspension

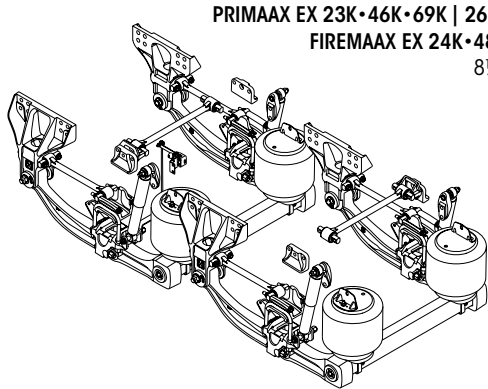
LIT NO: SP-164

DATE: July 2017

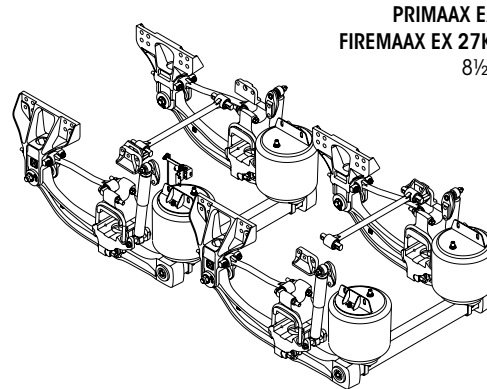
REVISION: K

CONTENTS

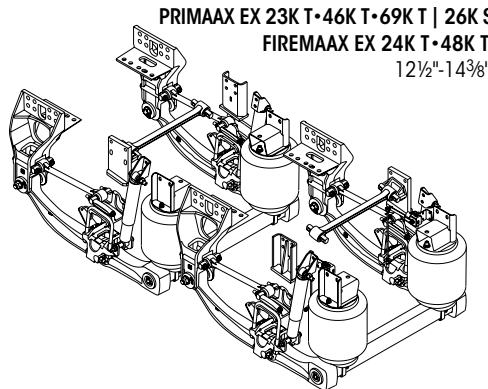
DESCRIPTION	PAGE	DESCRIPTION	PAGE
Technical Notes	2	Parts Lists	
Notes	5	PRIMAAX EX	
Selection Guides		23K•46K•69K 26K S•52K S•78K S	FIREMAAX EX
■ Bottom Cap / Longitudinal Torque Rod Assembly	3-5	23KT•46KT•69KT 26K ST•52K ST•78K ST	24K•48K 27K S•54K S 8
■ Air Spring Assembly	6	<i>Drum Brake:</i> 26K•52K•78K	24KT•48KT 27K ST•54K ST . . 10
■ Severe Service Kits	7	<i>Drum Brake:</i> 26KT•52KT•78KT	27K•31K•54K•62K 12
■ U-beam Assembly Enhancement Aftermarket Service Kit	7	<i>Air Disc Brake:</i> 26K•52K•78K	27KT•31KT•54KT•62KT 14
Support Beam and Cross Tube Replacement Guide	26	<i>Air Disc Brake:</i> 26KT•52KT•78KT	27K•31K•54K•62K 16
Special Tools	27	PRIMAAX	27KT•31KT•54KT•62KT 18
		230•460•690	FIREMAAX
		230T•460T•690T	240•480 20
		260•520•780	240T•480T 22
			270•540 24



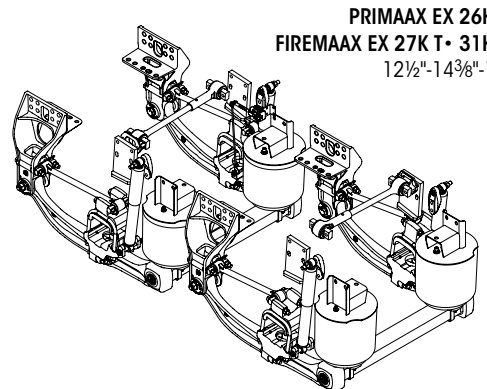
PRIMAAX EX 23K•46K•69K | 26K S•52K S•78K S
FIREMAAX EX 24K•48K | 27K S•54K S
8½"-10" Ride Height



PRIMAAX EX 26K•52K•78K
FIREMAAX EX 27K•31K•54K•62K
8½"-10" Ride Height



PRIMAAX EX 23K T•46K T•69K T | 26K ST•52K ST•78K ST
FIREMAAX EX 24K T•48K T | 27K ST•54K ST
12½"-14¾"-15½" Ride Height



PRIMAAX EX 26K T•52K T•78K T
FIREMAAX EX 27K T•31K T•54K T•62K T
12½"-14¾"-15½" Ride Height



Technical Notes

The following information is intended to assist in determining which suspension is equipped on the vehicle.

As an example, in Figure 1, the end cap / frame hanger help identify whether the suspension is the current model PRIMAAX EX or the previous production model PRIMAAX (out of production since May 2010).

OEM Specific PRIMAAX EX Parts lists — Caterpillar (SP-234) • Freightliner (SP-230) • International Truck (SP-233) • Kenworth (SP-225) • Mack (SP-231) and Volvo (SP-226) are available online at www.hendrickson-intl.com.

FIGURE 1 PRIMAAX EX • FIREMAAX EX or PRIMAAX • FIREMAAX

PRIMAAX EX | Enhanced U-beam Assembly with Integrated End Cap
FIREMAAX EX |

PRIMAAX | Support Beam with Detachable End Cap
FIREMAAX | | Out of Production May 2010

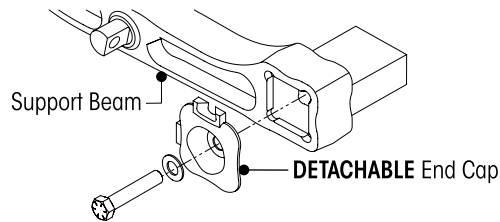
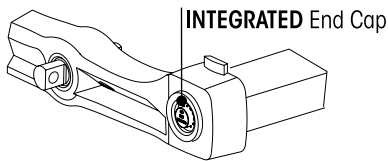


FIGURE 2 SUSPENSION RATING • CAPACITY

S – designates Small Clamp Group • T – designates Tall Ride Height 12½" – 14¾" – 15½"

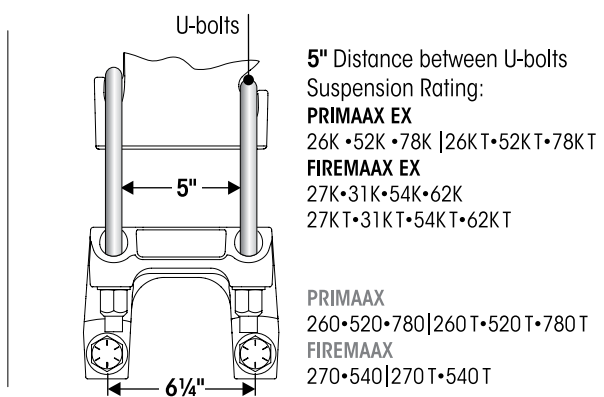
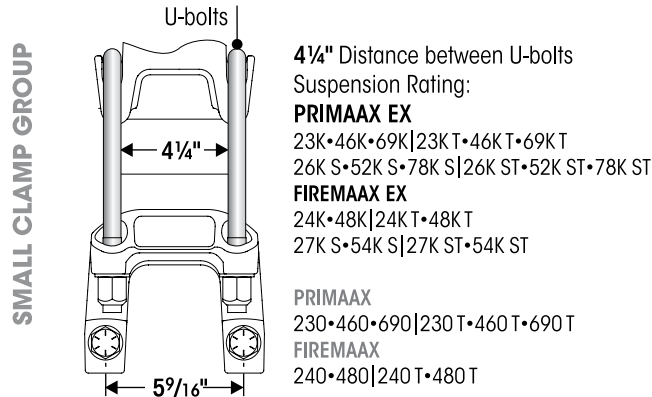
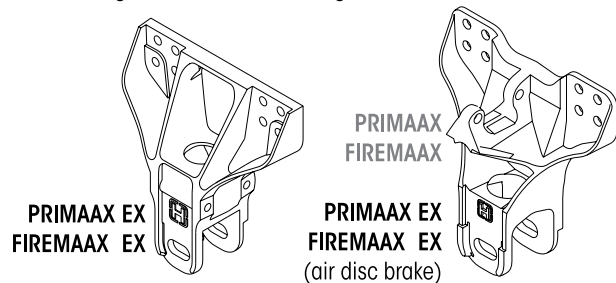


FIGURE 3 RIDE HEIGHT

Frame Hangers: 8½"-10" Ride Height



Frame Hangers: 12½"-15½" Ride Height

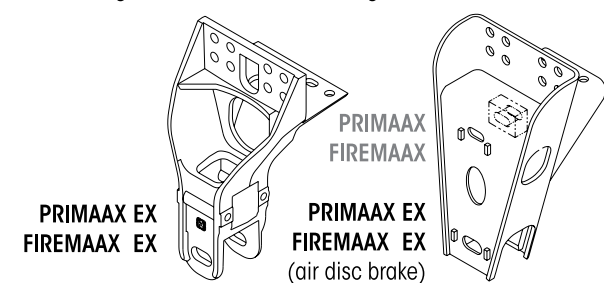
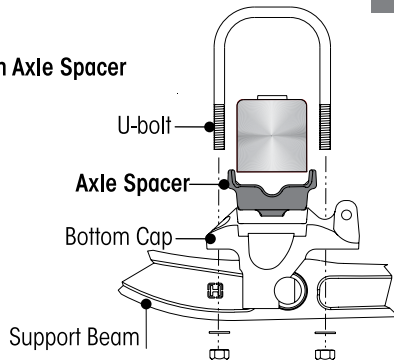
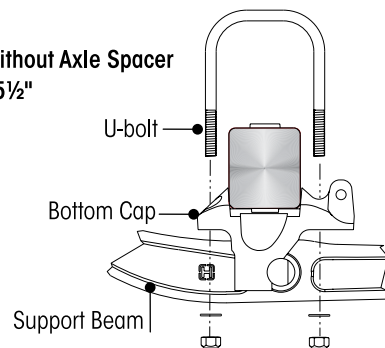


FIGURE 4 AXLE SPACER

Ride Height with Axle Spacer
 8½", 12½"



Ride Height without Axle Spacer
 10", 14¾", 15½"



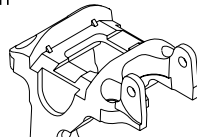


Bottom Cap and Longitudinal Torque Rod Assembly

BOTTOM CAP

■ **8½", 12½", 14¾", 15½" Ride Heights**

Locate the part number stamped on the bottom cap 60556-XXX



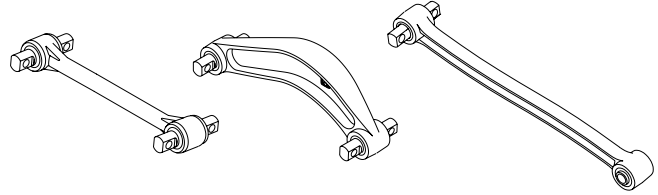
Location of stamped Part No. (last three digits)

■ **10" Ride Height** See tables below

LONGITUDINAL TORQUE ROD ASSEMBLY

PRIMAAX EX 23K • 46K • 69K | 23KT • 46KT • 69KT
 26K • 52K • 78K | 26KT • 52KT • 78KT
FIREMAAX EX 24K • 48K | 24KT • 48KT
 27K • 54K | 27KT • 54KT

PRIMAAX 230•460•690
 230T•460T•690T
FIREMAAX 240•480
 240T•480T



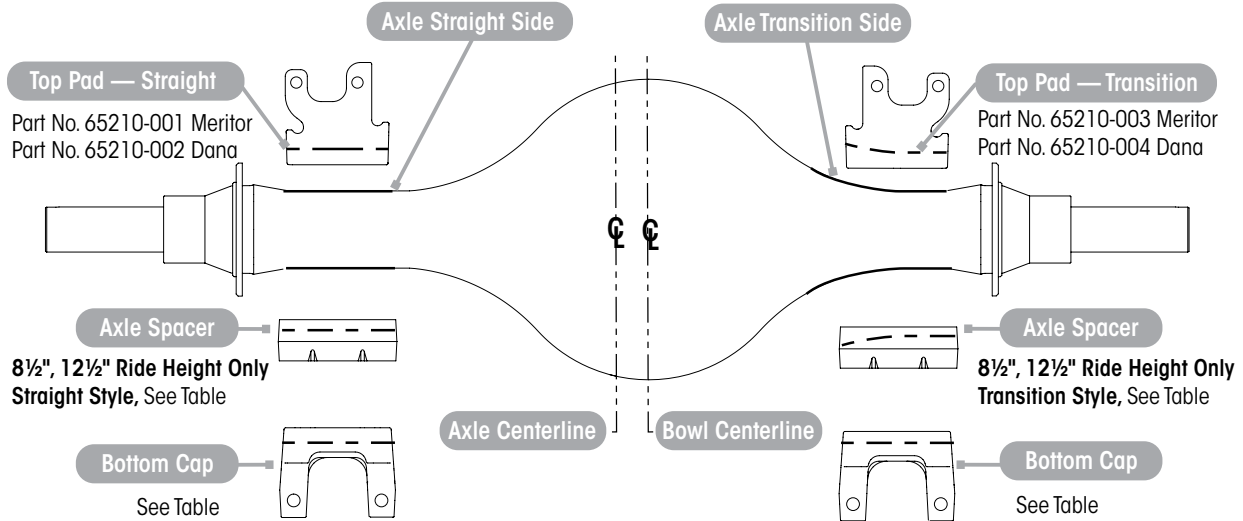
Page 8 Page <?>		PRIMAAX EX 23K•46K•69K 26K S•52K S•78K S 23KT•46KT•69KT 26K ST•52K ST•78K ST		FIREMAAX EX 24K•48K 24KT•48KT	
D-pin Bolt Length	Pinion Angle	10" RIDE HEIGHT Bottom Cap Part No.	*Longitudinal Torque Rod Assembly Part No.		
			DRUM BRAKE LEFT FRONT	DISC BRAKE RIGHT FRONT	
5"	1.5	60556-035	67428-425		
	2.0	60556-040			
	2.5	60556-025			
	3.0	60556-030			
	3.5	60556-035			
	4.0	60556-040			
5¼"	4.5	60556-045	67428-435	67219-435	
5½"	5.0	60556-050			
	5.5	60556-055			
	6.0	60556-060			
5½"	6.5	60556-065	REAR		
	5"	7.0	60556-110	67428-450	67219-435 Plus Pinion Spacer Part No. 67045-071
		7.5	60556-115		
8.0		60556-120			
5¼"	8.5	60556-125	67428-460	67219-435 Plus Pinion Spacer Part No. 67045-069	
	9.0	60556-130			
5½"	9.5	60556-135	67428-475	67219-475	
	4¾"	10.0			60556-100
5"		10.5	60556-105		
	11.0	60556-110			
	11.5	60556-115			
5¼"	12.0	60556-120	67428-475	67219-475	
	12.5	60556-125			
5½"	13.0	60556-130			
	13.5	60556-135			
**5¾"	14.0	60556-140			
	14.5	60556-145			

* Non-serviceable torque rod bushings, requires replacement of complete torque rod assembly with bushings.
 ** May replace with 5½" bolts.

Page 20 Page 22		PRIMAAX 230•460•690 230T•460T•690T		FIREMAAX 240•480 240T•480T	
Pinion Angle	10" RIDE HEIGHT Bottom Cap Part No.	Longitudinal Torque Rod Assembly Part No.			
		LEFT FRONT	RIGHT FRONT		
2.5	60556-025	60827-605A	60827-605B		
3.0	60556-030				
3.5	60556-035				
4.0	60556-040				
4.5	60556-045				
5.0	60556-050				
5.5	60556-055				
6.0	60556-060				
6.5	60556-065				
				LEFT REAR	RIGHT REAR
7.0	60556-110	64717-620A	64717-620B		
7.5	60556-115				
8.0	60556-120				
8.5	60556-125				
9.0	60556-130				
9.5	60556-135				
10.0	60556-100				
10.5	60556-105				
5"	11.0	60827-645A	60827-645B		
	11.5				
	12.0				
	12.5				
	13.0				
	13.5				
	14.0				
	14.5				



Top Pad • Bottom Cap • Axle Spacer

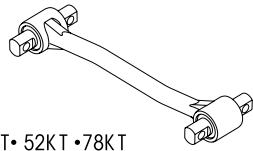


Page 12	PRIMAAX EX 26K • 52K • 78K	FIREMAAX EX 27K • 31K • 54K • 62K								
Page 14	PRIMAAX EX 26KT • 52KT • 78KT	FIREMAAX EX 27KT • 31KT • 54KT • 62KT								
Page 24	PRIMAAX 260 • 520 • 780	FIREMAAX 270 • 540								
Key No. 12	BOTTOM CAP PART NUMBER									
Axle Manufacturer	Beam Centers	TANDEM				SINGLE				
		Straight Side		Transition Side		Straight Side	Transition Side			
		8 1/2", 12 1/2", 10", 14 3/8", 15 1/2" Ride Height		8 1/2", 12 1/2" Ride Height		10", 14 3/8", 15 1/2" Ride Height		8 1/2", 12 1/2", 10", 14 3/8", 15 1/2" Ride Height	8 1/2", 12 1/2" Ride Height	10", 14 3/8", 15 1/2" Ride Height
		FRONT	REAR	FRONT	REAR	FRONT	REAR			
MERITOR	40.0"					65208-106	65208-109			65208-105
	40.5"	65208-101	65208-103	65208-101	65208-103	67913-006	67913-009	65208-101	65208-101	67913-005
	40.8"					67913-106	67913-109			67913-105
DANA	40.0"					65208-108	65208-111	See Page 3	See Page 3	
	40.5"	65208-102	65208-104	65208-102	65208-104	67913-008	67913-011			
	40.8"					67913-108	67913-111			
Key No. 13	AXLE SPACER PART NUMBER									
Axle Manufacturer	Beam Centers	8 1/2", 12 1/2" Ride Height		8 1/2", 12 1/2" Ride Height		10", 14 3/8", 15 1/2" Ride Height		8 1/2", 12 1/2" Ride Height	8 1/2", 12 1/2" Ride Height	10", 14 3/8", 15 1/2" Ride Height
		FRONT	REAR	FRONT	REAR	FRONT	REAR			
MERITOR	40.0"	65276-000		65277-000		Not equipped		65276-000	65277-000	Not equipped
	40.5"	—		67973-004						
DANA	40.0"	65274-000		65275-000						
	40.5"	—		67973-002						

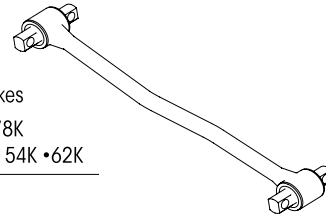


Longitudinal Torque Rod Assembly

- 8½", 10" Ride Heights – See table below
- All Other Ride Heights – See specific parts list in this publication



PRIMAAX EX
26K • 52K • 78K | 26KT • 52KT • 78KT
FIREMAAX EX
27K • 31K • 54K • 62K | 27KT • 31KT • 54KT • 62KT



Equipped with Air Disc Brakes
PRIMAAX EX 26K • 52K • 78K
FIREMAAX EX 27K • 31K • 54K • 62K
PRIMAAX 260•520•780
FIREMAAX 270•540

Page 12 Page 14	PRIMAAX EX	FIREMAAX EX
	26K • 52K • 78K 26KT • 52KT • 78KT	27K • 31K • 54K • 62K 27KT • 31KT • 54 KT • 62KT
PINION ANGLE	*LONGITUDINAL TORQUE ROD ASSEMBLY PART NO.	
	LEFT	RIGHT
1.0–2.0	65302-455A	65302-455B
2.5–3.0	65302-470A	65302-470B
3.5–4.0	65302-475A	65302-475B
9.0–9.5	65302-510A	65302-510B
10.0–10.5	65302-515A	65302-515B
11.0–11.5	65302-520A	65302-520B
* Non-serviceable torque rod bushings, requires replacement of complete torque rod assembly with bushings.		

Page 16 Page 24	PRIMAAX EX	FIREMAAX EX
	26K • 52K • 78K PRIMAAX 260 • 520 • 780	27K • 31K • 54K • 62K FIREMAAX 270 • 540
PINION ANGLE	LONGITUDINAL TORQUE ROD ASSEMBLY PART NO.	
	LEFT	RIGHT
2.0–3.5	66359-650A	66359-650B
4.0–5.5	66359-660A	66359-660B
*2.0–3.5	66359-670A	66359-670B
10.0–10.5	66359-585A	66359-585B
11.0–11.5	66359-590A	66359-590B
12.0–12.5	66359-595A	66359-595B
*11.0–11.5	66359-600A	66359-600B
* Pierce		

NOTES: Quantities specified are shown for tandem suspension. Adjust quantities for single or tridem suspensions. Quantities of service kit components may vary from amount shown in lists.

* Item included in kit / assembly only, part not sold separately.

** Transverse Torque Rods are mandatory for the PRIMAAX EX • FIREMAAX EX / PRIMAAX • FIREMAAX suspensions regardless of axle spacing. See Literature No. 59310-004 for more information.

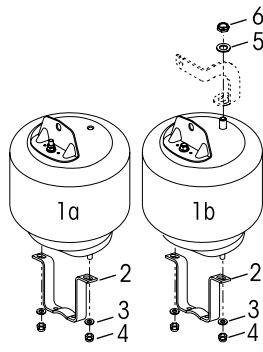
*** No longer available for service, see Replacement Guide on Page 26. For more information, refer to Hendrickson Technical Bulletin Literature No. SEU-0229 or contact Hendrickson Tech Services.

**** Alternate configuration of the QUIK-ALIGN fasteners. The locknuts located inboard will allow additional clearance for wider tires or tires with chains. Tightening is still required ONLY on the locknut.

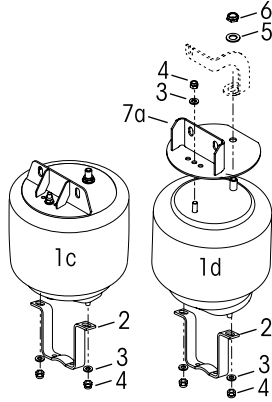


Air Spring Assembly

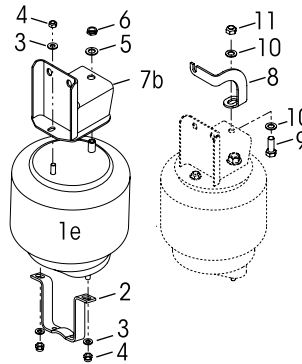
Page 8
PRIMAAX EX 23K•46K•69K
FIREMAAX EX 24K•48K



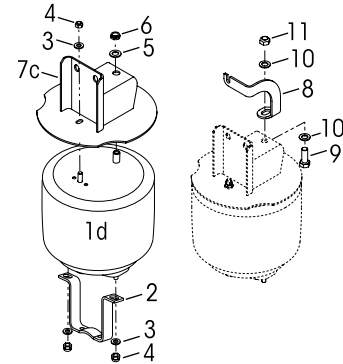
Pages 8, 12, 16
PRIMAAX EX
 26K S•52K S•78K S | 26K •522•782
FIREMAAX EX
 27K S•54K S | 27K •31K •54K •62K



Page 10
PRIMAAX EX 23K T•46K T•69K T
FIREMAAX EX 24K T•48K T



Pages 10, 14, 18
PRIMAAX EX
 26K ST•52K ST•78K ST | 26K T•52K T•78K T
FIREMAAX EX
 27K ST•54K ST | 27K T•31K T•54K T•62K T



KEY NO.	PART NO.	DESCRIPTION	VEHICLE QTY.
		Air Spring Service Kit, Single	
	60961-230	Includes Key Nos. 1a, 2-4	
	60961-229	Includes Key Nos. 1b, 2-4	
	60961-744	Includes Key Nos. 1c, 2-4	
	60961-231	Includes Key Nos. 1d, 2-6	
	68056-002	Includes Key Nos. 1d, 3-6, 7a	
	60961-227	Includes Key Nos. 1e, 2-6	
1		Air Spring equipped w/Upper Air Spring Bracket	4
a	67043-002L	PRIMAAX EX 23K•46K•69K	
b	67392-002	FIREMAAX EX 24K•48K	
c	67247-002 78761-001	PRIMAAX EX 26K S•52K S•78K S; 26K•52K•78K PRIMAAX EX 26K ST•52K ST•78K ST; FIREMAAX EX 27K ST•54K ST, Includes Key No. 7c	
d	67044-002	Air Spring Only PRIMAAX EX 23K T•46K T•69K T; 26K ST•52K ST•78K ST; 26K T•52K T•78K T FIREMAAX EX 24K T•48K T for Oshkosh Vehicles; 27K S•54K S; 27K ST•54K ST; 27K •31K •54K •62K ; 27K T•31K T• 54K T•62K T	
e	67391-002L	PRIMAAX EX 23K T•46K T•69K T; FIREMAAX EX 24K T•48K T	
2	60911-002	Lower Air Spring Mounting Bracket	4

KEY NO.	PART NO.	DESCRIPTION	VEHICLE QTY.
		Air Spring Fastener Service Kit, Single	
	49177-006	Lower, Includes Key Nos. 3-4	
	49177-023	Upper/Lower, Includes Key Nos. 3-6	
	49177-025	Upper/Lower, Includes Key Nos. 3-6, 9-11	
	49177-033	Lower, Includes Key Nos. 2-4	
3		*1/2" Flat Washer	8
4		*1/2"-13 UNC Locknut	8
5		*3/4" Flat Washer	4
6		*3/4"-16 UNF Locknut	4
7		Upper Air Spring Bracket	4
a	65868-000	FIREMAAX 27K S•54K S 8 1/2"-10" Ride Height	
b	65031-003 65031-004	PRIMAAX EX 23K T•46K T•69K T; FIREMAAX EX 24K T•48K T 12 1/2", 14 3/8" Ride Height 15 1/2" Ride Height	
c	65031-008 65031-009	PRIMAAX EX 26K ST•52K ST•78K ST; FIREMAAX EX 27K ST•54K ST 12 1/2", 14 3/8" Ride Height 15 1/2" Ride Height	
8 a	59479-003	Air Spring Gusset (if equipped)	2
b	59479-004	Air Spring Gusset (if equipped)	2
9		*3/4"-10 UNC x 2" Bolt	4
10		*3/4" Flat Washer	8
11		*3/4"-10 UNC Locknut	4

Severe Service Kits

Severe Service Kit No. 60632-033	QUIK-ALIGN Pivot Bushing Axle Set	Reference Lit. No. 59310-037		KIT NO. 60632-033 PRIMAAX EX / FIREMAAX EX • PRIMAAX / FIREMAAX 8½"-10" Ride Height	<table border="1"> <thead> <tr> <th>KEY NO.</th> <th>CONTENTS</th> <th>KIT QTY.</th> </tr> </thead> <tbody> <tr> <td>1</td> <td>QUIK-ALIGN Concentric Collar</td> <td>2</td> </tr> <tr> <td>2</td> <td>QUIK-ALIGN Eccentric Collar</td> <td>2</td> </tr> <tr> <td>3</td> <td>1¼"-12 UNF x 8" Bolt</td> <td>2</td> </tr> <tr> <td>4</td> <td>1¼" Hardened Washer</td> <td>4</td> </tr> <tr> <td>5</td> <td>1¼"-12 UNF Nylocknut</td> <td>2</td> </tr> <tr> <td>6</td> <td>QUIK-ALIGN Pivot Bushing</td> <td>2</td> </tr> <tr> <td>7</td> <td>P-80 Bushing Lubricant - 10 ml., per Bushing 1</td> <td>2</td> </tr> </tbody> </table>	KEY NO.	CONTENTS	KIT QTY.	1	QUIK-ALIGN Concentric Collar	2	2	QUIK-ALIGN Eccentric Collar	2	3	1¼"-12 UNF x 8" Bolt	2	4	1¼" Hardened Washer	4	5	1¼"-12 UNF Nylocknut	2	6	QUIK-ALIGN Pivot Bushing	2	7	P-80 Bushing Lubricant - 10 ml., per Bushing 1	2
KEY NO.	CONTENTS	KIT QTY.																											
1	QUIK-ALIGN Concentric Collar	2																											
2	QUIK-ALIGN Eccentric Collar	2																											
3	1¼"-12 UNF x 8" Bolt	2																											
4	1¼" Hardened Washer	4																											
5	1¼"-12 UNF Nylocknut	2																											
6	QUIK-ALIGN Pivot Bushing	2																											
7	P-80 Bushing Lubricant - 10 ml., per Bushing 1	2																											
Severe Service Kit No. 60632-015	QUIK-ALIGN Collar Axle Set	Reference Lit. No. 59310-037		KIT NO. 60632-015 PRIMAAX EX / FIREMAAX EX • PRIMAAX / FIREMAAX 8½"-10" Ride Height	<table border="1"> <thead> <tr> <th>KEY NO.</th> <th>CONTENTS</th> <th>KIT QTY.</th> </tr> </thead> <tbody> <tr> <td>1</td> <td>QUIK-ALIGN Concentric Collar</td> <td>2</td> </tr> <tr> <td>2</td> <td>QUIK-ALIGN Eccentric Collar</td> <td>2</td> </tr> <tr> <td>3</td> <td>1¼"-12 UNF x 8" Bolt</td> <td>2</td> </tr> <tr> <td>4</td> <td>1¼" Hardened Washer</td> <td>4</td> </tr> <tr> <td>5</td> <td>1¼"-12 UNF Nylocknut</td> <td>2</td> </tr> </tbody> </table>	KEY NO.	CONTENTS	KIT QTY.	1	QUIK-ALIGN Concentric Collar	2	2	QUIK-ALIGN Eccentric Collar	2	3	1¼"-12 UNF x 8" Bolt	2	4	1¼" Hardened Washer	4	5	1¼"-12 UNF Nylocknut	2						
KEY NO.	CONTENTS	KIT QTY.																											
1	QUIK-ALIGN Concentric Collar	2																											
2	QUIK-ALIGN Eccentric Collar	2																											
3	1¼"-12 UNF x 8" Bolt	2																											
4	1¼" Hardened Washer	4																											
5	1¼"-12 UNF Nylocknut	2																											
Severe Service Kit No. 58821-026	Top Pad Fasteners Axle Set	Reference Lit. No. 59310-036		KIT NO. 58821-026 PRIMAAX 230 • 460 • 690 230T • 460T • 690T FIREMAAX 240 • 480 240T • 480T 8½"-10"-12½"-14¾"-15½" Ride Height, Does Not Include Top Pad	<table border="1"> <thead> <tr> <th>KEY NO.</th> <th>CONTENTS</th> <th>KIT QTY.</th> </tr> </thead> <tbody> <tr> <td>1</td> <td>M24 x 3-6G H-Coat Hex Bolt</td> <td>2</td> </tr> <tr> <td>2</td> <td>M24 Hardened Washer</td> <td>4</td> </tr> <tr> <td>3</td> <td>M24 x 3-6H Locknuts</td> <td>2</td> </tr> </tbody> </table>	KEY NO.	CONTENTS	KIT QTY.	1	M24 x 3-6G H-Coat Hex Bolt	2	2	M24 Hardened Washer	4	3	M24 x 3-6H Locknuts	2												
KEY NO.	CONTENTS	KIT QTY.																											
1	M24 x 3-6G H-Coat Hex Bolt	2																											
2	M24 Hardened Washer	4																											
3	M24 x 3-6H Locknuts	2																											

U-beam Assembly Enhancement Aftermarket Service Kit

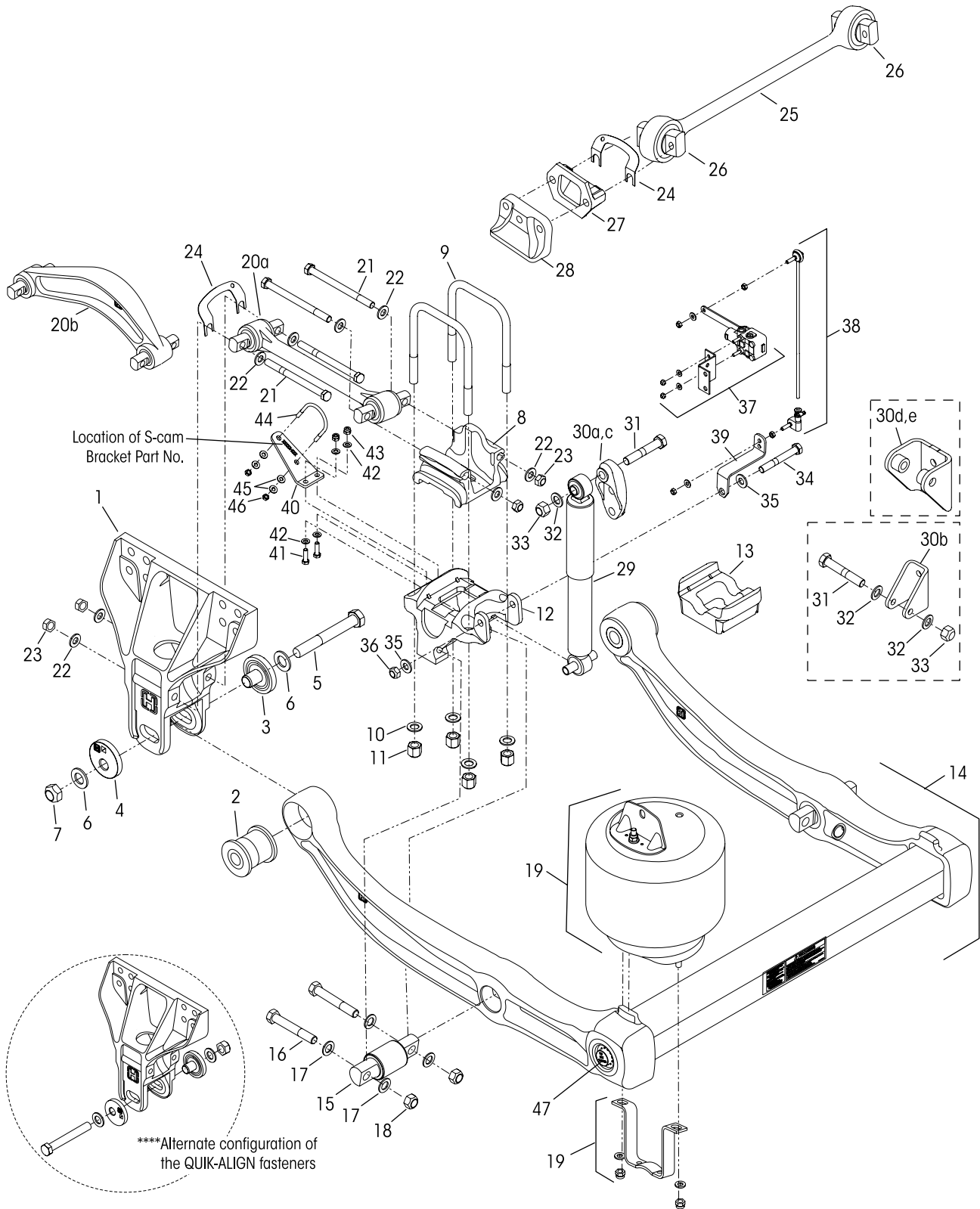
Service Kit No. 69565-001, Axle Set			
PART NO.	DESCRIPTION	QTY.	COMMENTS
69351-000	Sikaflex 221 Polyurethane Sealant, 300 ml Tube	1	In the event any service to the suspension requiring disassembly of a U-beam assembly equipped with integrated end caps, the Loctite 277, tamper resistant caps and Sikaflex 221 polyurethane sealant must be properly installed to ensure components function to their highest efficiency.
69570-000	Loctite® 277 - 10 ml Bottle	1	
*	Tamper Resistant Cap	2	
*	⅞"-9 UNC x 3¼" Hex Bolt	2	
*	⅞" H-Coat Flat Washer	2	



PRIMAAX EX 23K•46K•69K | FIREMAAX EX 24K•48K
 PRIMAAX EX 26K S•52K S•78K S | FIREMAAX EX 27K S•54K S

S – designates Small Clamp Group

8½" – 10" Ride Height



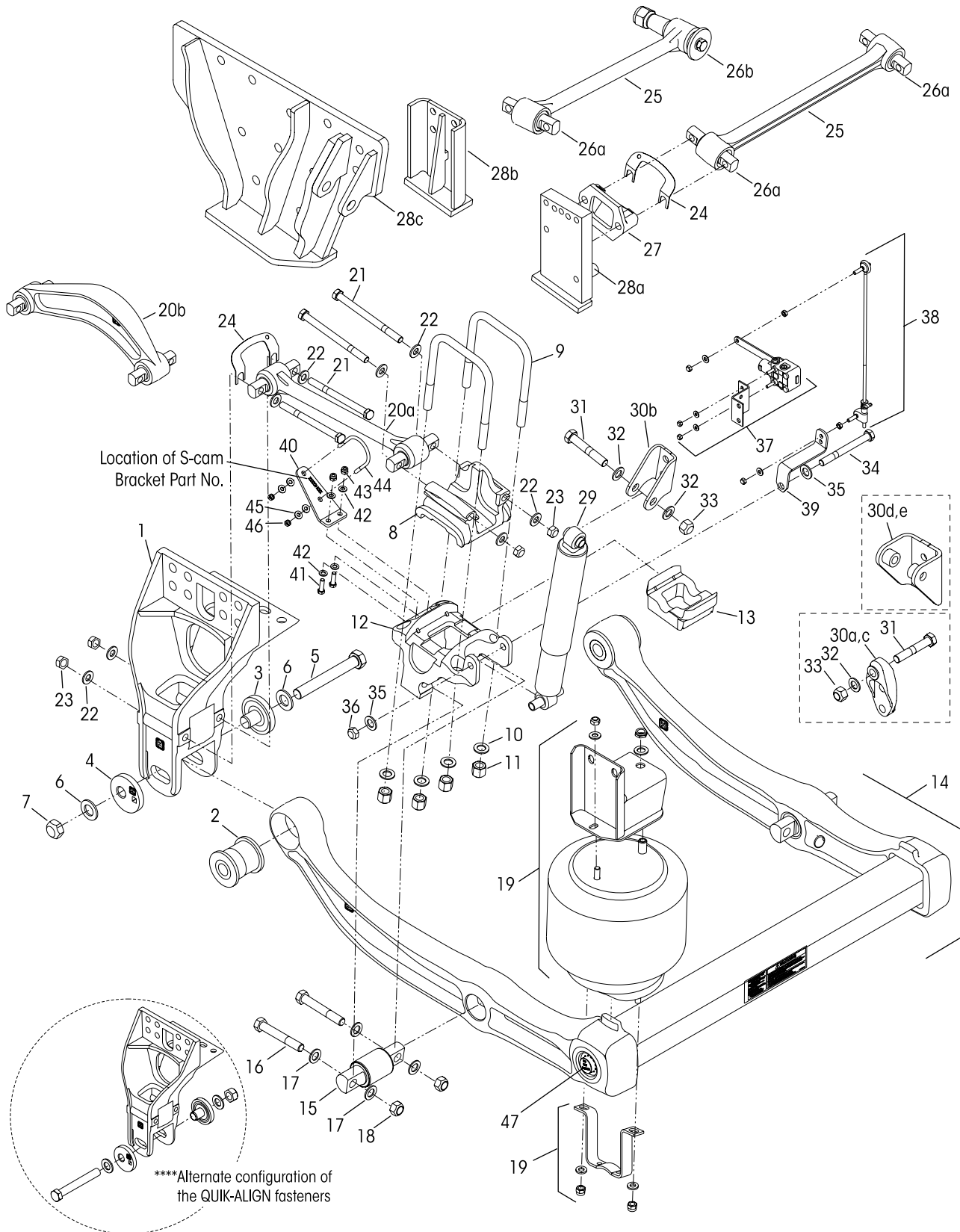


KEY NO.	PART NO.	DESCRIPTION	VEHICLE QTY.	KEY NO.	PART NO.	DESCRIPTION	VEHICLE QTY.
1	67706-000	EX Frame Hanger	4	20	a, b	Longitudinal Torque Rod Assembly <i>See Selection Guide on Page 3</i>	4
		QUIK-ALIGN® Pivot Bushing Service Kit, Includes Key Nos. 2-7, 48			49176-032	Longitudinal Torque Rod Bolt Service Kit, One Torque Rod, Includes Key Nos. 21-23	
	60961-720	One Wheel End		21	*5/8"-11 UNC-2B x 8" Bolt		16
	60632-020	Axle Set		22	*5/8" Flat Washer		32
		QUIK-ALIGN Collar Service Kit, Includes Key Nos. 3-7 One Wheel End, <i>Replaces 60632-006</i>		23	*5/8"-11 UNC-2A Locknut		16
	60632-019	One Wheel End, <i>Replaces 60632-006</i>		24	49689-000L	Shim	As Req.
	60632-021	Axle Set		25	72000-XXXS	**ULTRA ROD® PLUS™ Transverse Torque Rod Assembly, Includes Bushings, Specify length in mm	2
	60632-018	QUIK-ALIGN Fastener Service Kit, One Wheel End, Includes Key Nos. 5-7, <i>Replaces 60632-005</i>		26	64400-002L	Bushing - Straddle Bar Pin (5/8" Holes)	4
2		*QUIK-ALIGN Pivot Bushing	4	27	22186-000	Transverse Torque Rod Frame Bracket	2
3		*QUIK-ALIGN Concentric Collar	4	28	60593-000L	Axle Stop, Frame Mounted	4
4		*QUIK-ALIGN Eccentric Collar	4	29		Shock Absorber	4
5		*1"-1.4 UNF-2A x 7 1/2" H-Coat Hex Bolt	4	a	60657-003L	Standard	
6		*1" H-Coat Flat Washer	8	b	70807-001	FIREMAAX, (Not Shown) <i>New and retrofitted models, not interchangeable with 29a</i>	
7		*1"-1.4 UNF-2B H-Coat Locknut	4	30		Upper Shock Frame Bracket	4
8	65289-000	Top Pad	4	a	67463-002	Standard Cast	
		U-bolt Fasteners Service Kit, One Wheel End,		b	59423-001	Standard Fabricated Clevis	
	48718-129	Includes Key Nos. 9a-11		c	78250-002	High Strength Cast, <i>use with 29b</i>	
	48718-130	Includes Key Nos. 9b-11		d	78896-001	High Strength Clevis, High Mount, <i>use with 29b</i>	
9		*3/4" Square U-bolt	8	e	78896-002	High Strength Clevis, Low Mount, <i>use with 29b</i>	
a		8 7/8" Length - 10" Ride Height				Shock Absorber Fastener Service Kit	
b		10 3/8" Length - 8 1/2" Ride Height			50754-012	One Wheel End, Includes Key Nos. 31a, 32-36	
10		*3/4" Flat Washer	16		50754-044	One Wheel End, Includes Key Nos. 31b, 32-36	
11		*3/4"-1.6 UNF U-bolt Locknut	16		50754-055	One Wheel End, Includes Key Nos. 31c, 32-36	
12	60556-XXX	Bottom Cap - Front and Rear (Casting No. 60272-000), <i>See Selection Guide on Page 3</i>	4		50754-051	One Wheel End, Includes Key Nos. 31d, 32-36	
13	65139-003	Axle Spacer, 8 1/2" Ride Height	4	31		*3/4"-10 UNC Upper Shock Bolt	4
14		U-beam Assembly, Includes Key Nos. 2, 15	2	a		3 3/4", <i>use with 30b</i>	
		• Front		b		4 1/4", <i>use with 30a, b</i>	
	67249-004	34.0" Frame Width		c		5", <i>use with 30c and Oshkosh Bracket</i>	
	67249-012	34.3" Frame Width		d		6 1/2", <i>use with 30d, e</i>	
	67249-010	34.5" Frame Width		32		*3/4" Flat Washer	As Req.
	67249-024	34.8" Frame Width		33		*3/4"-10 UNC Locknut	4
	67249-018	35.0" Frame Width		34		*5/8"-11 UNC x 6" Lower Shock Bolt	4
		• Rear		35		*5/8" Flat Washer	8
	67249-003	34.0" Frame Width		36		*5/8"-11 UNC-2B Locknut	4
	67249-011	34.3" Frame Width			58525-019	Height Control Valve Assembly Service Kit, Includes Key Nos. 37-39	
	67249-009	34.5" Frame Width		37	57977-000	Height Control Valve Assembly	1
	67249-009	34.5" Frame Width		38	58994-005L	HCV Linkage Assembly	1
	67249-023	34.8" Frame Width		39		*Height Control Valve Linkage Bracket	1
	67249-017	35.0" Frame Width				NOTE Key Nos. 40-46 are not required if equipped with 20b and Air Disc Brake	
		Single D-pin Bushing Service Kit,		40	64508-XXX	S-cam Support Bracket, <i>locate part no. on component</i>	4
	34013-117	Includes Key Nos. 15, 16a, 17-18			58821-017	S-cam Fastener Service Kit, Axle Set, Includes Key Nos. 41-46	
	34013-107	Includes Key Nos. 15, 16b, 17-18		41		*3/8"-1.6 UNC x 1 1/4" Hex Bolt	8
	34013-201	Includes Key Nos. 15, 16c, 17-18		42		*3/8" Hardened Washer	16
	34013-116	Includes Key Nos. 15, 16d, 17-18		43		*3/8"-1.6 UNC Locknut	8
15		*D-pin Bushing	4	44		*5/16" S-Cam U-bolt	4
		D-pin Fastener Service Kit, Axle Set,		45		*5/16" Hardened Washer	16
	56659-012	Includes Key Nos. 16a, 17-18		46		*5/16"-1.8 UNC Locknut	8
	56659-009	Includes Key Nos. 16b, 17-18		47	69565-001	U-beam Assembly Enhancement Aftermarket Service Kit, Axle Set, See Page 7 for contents	
	56659-014	Includes Key Nos. 16c, 17-18		48	70867-001	P-80 Lubricant - 10 ml (Not Shown) per Bushing	1
	56659-013	Includes Key Nos. 16d, 17-18					
16		*3/4"-1.6 UNF Bolt	8				
a		4 3/4" Length					
b		5" Length					
c		5 1/4" Length					
d		5 1/2" Length					
17		*3/4" Flat Washer	16				
18		*3/4"-1.6 UNF Locknut	8				
19		Air Spring Assembly, <i>Configuration may vary per suspension capacity, See Selection Guide on Page 6</i>	4				



PRIMAAX EX 23KT•46KT•69KT•26K ST•52K ST•78K ST
 FIREMAAX EX 24KT•48KT•27K ST•54K ST

S – designates Small Clamp Group • T – designates Tall Ride Height 12½" – 14¾" – 15½"





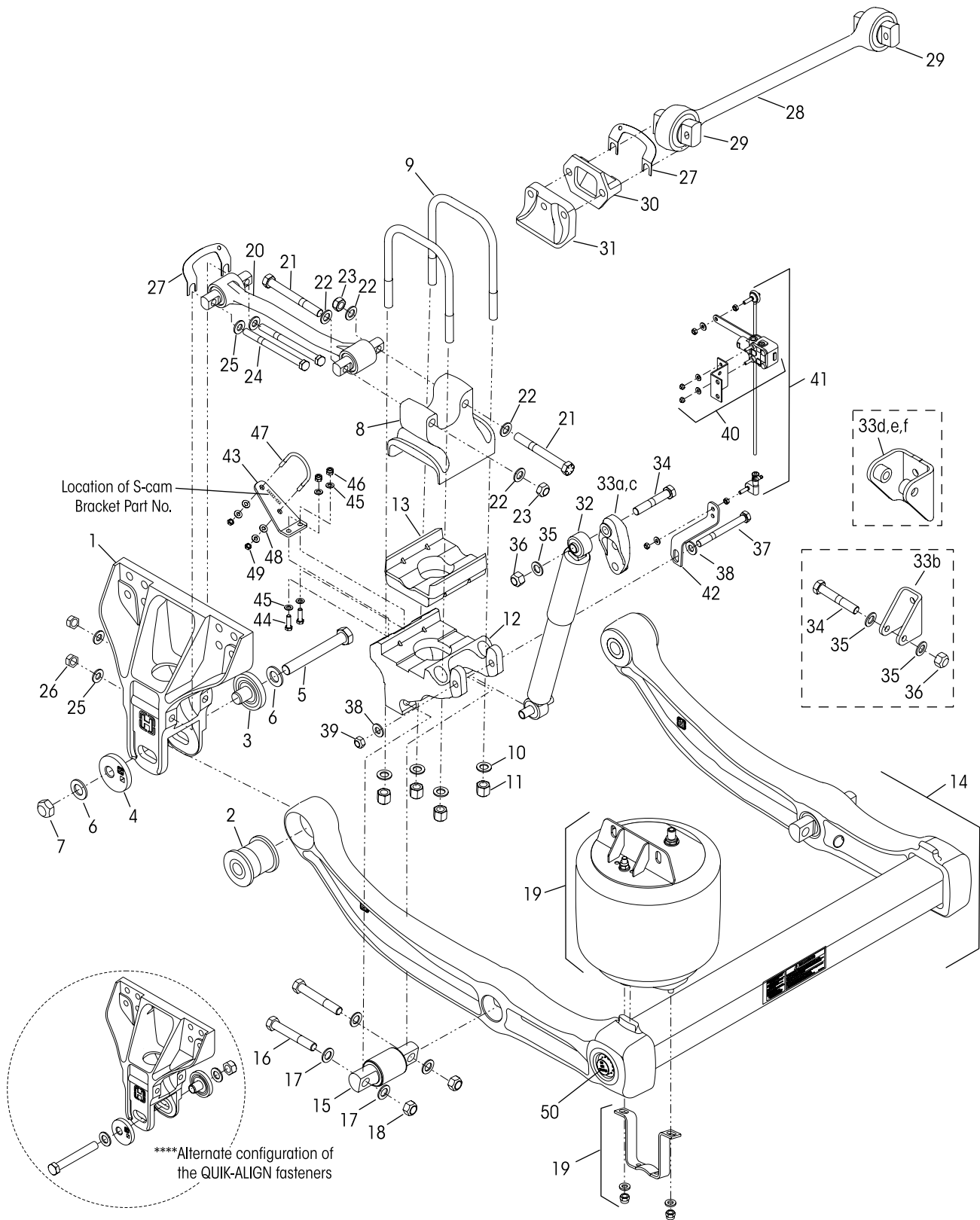
VEHICLE				VEHICLE			
KEY NO.	PART NO.	DESCRIPTION	QTY.	KEY NO.	PART NO.	DESCRIPTION	QTY.
1	67299-001	LH EX Frame Hanger	2	22		*5/8" Flat Washer	32
	67299-002	RH EX Frame Hanger	2	23		*5/8"-11 UNC Locknut	16
		QUIK-ALIGN Pivot Bushing Service Kit, Includes Key Nos. 2-7, 48		24	49689-000L	Shim	As Req.
	60961-720	One Wheel End		25		**Transverse Torque Rod Assembly, Includes Bushing 2	
	60632-020	Axle Set			62250-515	Terex Advance Mixer Vehicles	
		QUIK-ALIGN Collar Service Kit, Includes Key Nos. 3-7			62000-620	Oshkosh Truck Vehicles	
	60632-019	One Wheel End, <i>Replaces 60632-006</i>			62000-630	Oshkosh Truck Vehicles	
	60632-021	Axle Set		26 a	47691-000L	Straddle Bar Pin Bushing	
	60632-018	QUIK-ALIGN Fastener Service Kit, One Wheel End, Includes Key Nos. 5-7, <i>Replaces 60632-005</i>		b	64809-000L	Taper Pin Bushing, Includes Fasteners	
2		*QUIK-ALIGN Pivot Bushing	4	27	22186-000	Transverse Torque Rod Frame Bracket	2
3		*QUIK-ALIGN Concentric Collar	4	28		Axle Stop, Frame Mounted	4
4		*QUIK-ALIGN Eccentric Collar	4	a	64696-002	RH Rear - Oshkosh	
5		*1"-14 UNF-2A x 7 1/2" H-Coat Hex Bolt	4	a	64696-003	LH Front - Oshkosh	
6		*1" H-Coat Flat Washer	8	b	64692-001	LH Rear - Indiana Phoenix, Oshkosh	
7		*1"-14 UNF-2B H-Coat Locknut	4	b	64692-004	RH Front- Oshkosh	
8	65289-000	Top Pad	4	c	64692-006	RH Front- Indiana Phoenix	
		U-bolt Service Kit, One Wheel End, Includes Key Nos. 9a-11		b	77773-001	RH Rear - Oshkosh, <i>not interchangeable w/28a,b</i>	
	48718-129	Includes Key Nos. 9a-11		c	77773-002	LH Front - Oshkosh, <i>not interchangeable w/28a,b</i>	
	48718-130	Includes Key Nos. 9b-11		29		Shock Absorber	4
9		*3/4" Square U-bolt	8	a	60657-003L	Standard	
a		8 7/8" Length - 14 3/8"-15 1/2" Ride Height		b	70807-001	FIREMAAX, (Not Shown) <i>New and retrofitted models, not interchangeable with 29a</i>	
b		10 3/8" Length - 12 1/2" Ride Height		c	60665-011	Oshkosh Truck Vehicles	
10		*3/4" Flat Washer	16	30		Upper Shock Frame Bracket	4
11		*3/4"-16 UNF U-bolt Locknut	16	a	67463-002	Standard Cast	
12	60556-XXX	Bottom Cap, <i>See Page 3 for part no. location</i>	4	b	59423-001	Standard Fabricated Clevis	
13	65139-003	Axle Spacer - 12 1/2" Ride Height	4	c	78250-002	High Strength Cast, <i>use with 29b</i>	
14		U-beam Assembly, Includes Key Nos. 2, 15	2	d	78896-001	High Strength Clevis, High Mount, <i>use with 29b</i>	
		• Front		e	78896-002	High Strength Clevis, Low Mount, <i>use with 29b</i>	
	67249-004	34.0" Frame Width				Shock Absorber Fastener Service Kit	
	67249-012	34.3" Frame Width			50754-012	One Wheel End, Includes Key Nos. 31a, 32-36	
	67249-010	34.5" Frame Width			50754-044	One Wheel End, Includes Key Nos. 31b, 32-36	
	67249-024	34.8" Frame Width			50754-055	One Wheel End, Includes Key Nos. 31c, 32-36	
	67249-018	35.0" Frame Width			50754-051	One Wheel End, Includes Key Nos. 31d, 32-36	
		• Rear		31		*3/4"-10 UNC Upper Shock Bolt	4
	67249-003	34.0" Frame Width		a		3 3/4", <i>use with 30b</i>	
	67249-011	34.3" Frame Width		b		4 1/4", <i>use with 30a,b</i>	
	67249-009	34.5" Frame Width		c		5", <i>use with 30c</i>	
	67249-023	34.8" Frame Width		d		6 1/2", <i>use with 30d,e</i>	
	67249-017	35.0" Frame Width		32		*3/4" Flat Washer	As Req.
		Single D-pin Bushing Service Kit, Includes Key Nos. 15, 16a, 17-18		33		*3/4"-10 UNC Locknut	4
	34013-117	Includes Key Nos. 15, 16b, 17-18		34		*5/8"-11 UNC x 6" Lower Shock Bolt	4
	34013-107	Includes Key Nos. 15, 16c, 17-18		35		*5/8" Flat Washer	8
	34013-201	Includes Key Nos. 15, 16c, 17-18		36		*5/8"-11 UNC-2B Locknut	4
	34013-116	Includes Key Nos. 15, 16d, 17-18			58525-019	Height Control Valve Assembly Service Kit, Includes Key Nos. 37, 38b, 39	
15		*D-pin Bushing	4	37	57977-000	Height Control Valve Assembly	1
		D-pin Fastener Service Kit, Axle Set, Includes Key Nos. 16a, 17-18		38		HCV Linkage Assembly	1
	56659-012	Includes Key Nos. 16a, 17-18		a	58994-031	7.48" Length, Terex Only	
	56659-009	Includes Key Nos. 16b, 17-18		b	58994-005L	14.84" Length	
	56659-014	Includes Key Nos. 16c, 17-18		c	58994-029	20.24" Length	
	56659-013	Includes Key Nos. 16d, 17-18		39		Height Control Valve Linkage Bracket	1
16		*3/4"-16 UNF Bolt	8			NOTE Key Nos. 40-46 not required if equipped with 20b and Air Disc Brake	
a		4 3/4" Length		40	64508-XXX	S-cam Support Bracket, <i>Locate part number on component</i>	4
b		5" Length			58821-017	S-cam Fastener Service Kit, Axle Set, Includes Key Nos. 41-46	
c		5 1/4" Length		41		*3/8"-16 UNC x 1 1/4" Hex Bolt	8
d		5 1/2" Length		42		*3/8" Hardened Washer	16
17		*3/4" Flat Washer	16	43		*3/8"-16 UNC Locknut	8
18		*3/4"-16 UNF Locknut	8	44		*5/16" S-Cam U-bolt	4
19		Air Spring Assembly, <i>Configuration may vary per suspension capacity, See Selection Guide on Page 6</i>	4	45		*5/16" Hardened Washer	16
20 a, b		Longitudinal Torque Rod Assembly <i>See Selection Guide on Page 3</i>	4	46		*5/16"-18 UNC Locknut	8
	49176-032	Longitudinal Torque Rod Bolt Service Kit, One Torque Rod, Includes Key Nos. 21-23		47	69565-001	U-beam Assembly Enhancement Aftermarket Service Kit, Axle Set, <i>See Page 7 for contents</i>	
21		*5/8"-11 UNC x 8" Bolt	16	48	70867-001	P-80 Lubricant - 10 ml (Not Shown) per Bushing 1	



PRIMAAX EX 26K • 52K • 78K | FIREMAAX EX 27K • 31K • 54K • 62K

8½" – 10" Ride Height

Drum Brakes





KEY NO.	PART NO.	DESCRIPTION	VEHICLE QTY.
1	67706-000	EX Frame Hanger	4
		QUIK-ALIGN Pivot Bushing Service Kit, Includes Key Nos. 2-7, 51	
	60961-720	One Wheel End	
	60632-020	Axle Set	
		QUIK-ALIGN Collar Service Kit, Includes Key Nos. 3-7	
	60632-019	One Wheel End, <i>Replaces 60632-006</i>	
	60632-021	Axle Set	
	60632-026	Axle Set, Pierce Only	
	60632-018	QUIK-ALIGN Fastener Service Kit, One Wheel End, Includes Key Nos. 5-7, <i>Replaces 60632-005</i>	
2		*QUIK-ALIGN Pivot Bushing	4
3		*QUIK-ALIGN Concentric Collar	4
4		*QUIK-ALIGN Eccentric Collar	4
5		*1"-14 UNF-2A x 7½" H-Coat Hex Bolt	4
6		*1" H-Coat Flat Washer	8
7		*1"-14 UNF-2B H-Coat Locknut	4
8		Top Pad, <i>See illustration on Page 4</i>	4
		U-bolt Service Kit, One Wheel End	
	48718-120	10" Ride Height, Includes Key Nos. 9a-9b, 10-11	
	48718-121	8½" Ride Height, Includes Key Nos. 9c-9d, 10-11	
9		*¾" Square U-bolt	8
	a	10", Outboard 10" Ride Height	
	b	10½", Inboard 10" Ride Height	
	c	11½", Outboard 8½" Ride Height	
	d	12", Inboard 8½" Ride Height	
10		*¾" Flat Washer	16
11		*¾"-16 UNF U-bolt Locknut	16
12		Bottom Cap - Front and Rear <i>See Selection Guide on Page 4</i>	4
13		Axle Spacer - Front and Rear <i>See Selection Guide on Page 4</i>	4
14		U-beam Assembly, Includes Key Nos. 2, 15	2
		• Front	
	67249-006	34.0" Frame Width	
	67249-014	34.3" Frame Width	
	67249-016	34.5" Frame Width	
	67249-026	34.8" Frame Width	
		• Rear	
	67249-005	34.0" Frame Width	
	67249-013	34.3" Frame Width	
	67249-015	34.5" Frame Width	
	67249-025	34.8" Frame Width	
	34013-114	Single D-pin Bushing Service Kit, Includes Key Nos. 15-18	
15		*D-pin Bushing	4
	56659-010	D-pin Fastener Service Kit, Axle Set Includes Key Nos. 16-18	
16		*⅞"-14 UNF x 5" Bolt	8
17		*⅞" Flat Washer	16
18		*⅞"-14 UNF Locknut	8
19		Air Spring Assembly, <i>Configuration may vary per suspension capacity, See Selection Guide on Page 6</i>	4
20		Longitudinal Torque Rod Assembly <i>See Selection Guide on Page 5</i>	4
		Longitudinal Torque Rod Fastener Service Kit,	
	49176-031	Axle Set, Includes Key Nos. 21-26	
	49176-032	Axle Set, Includes Key Nos. 24-26	

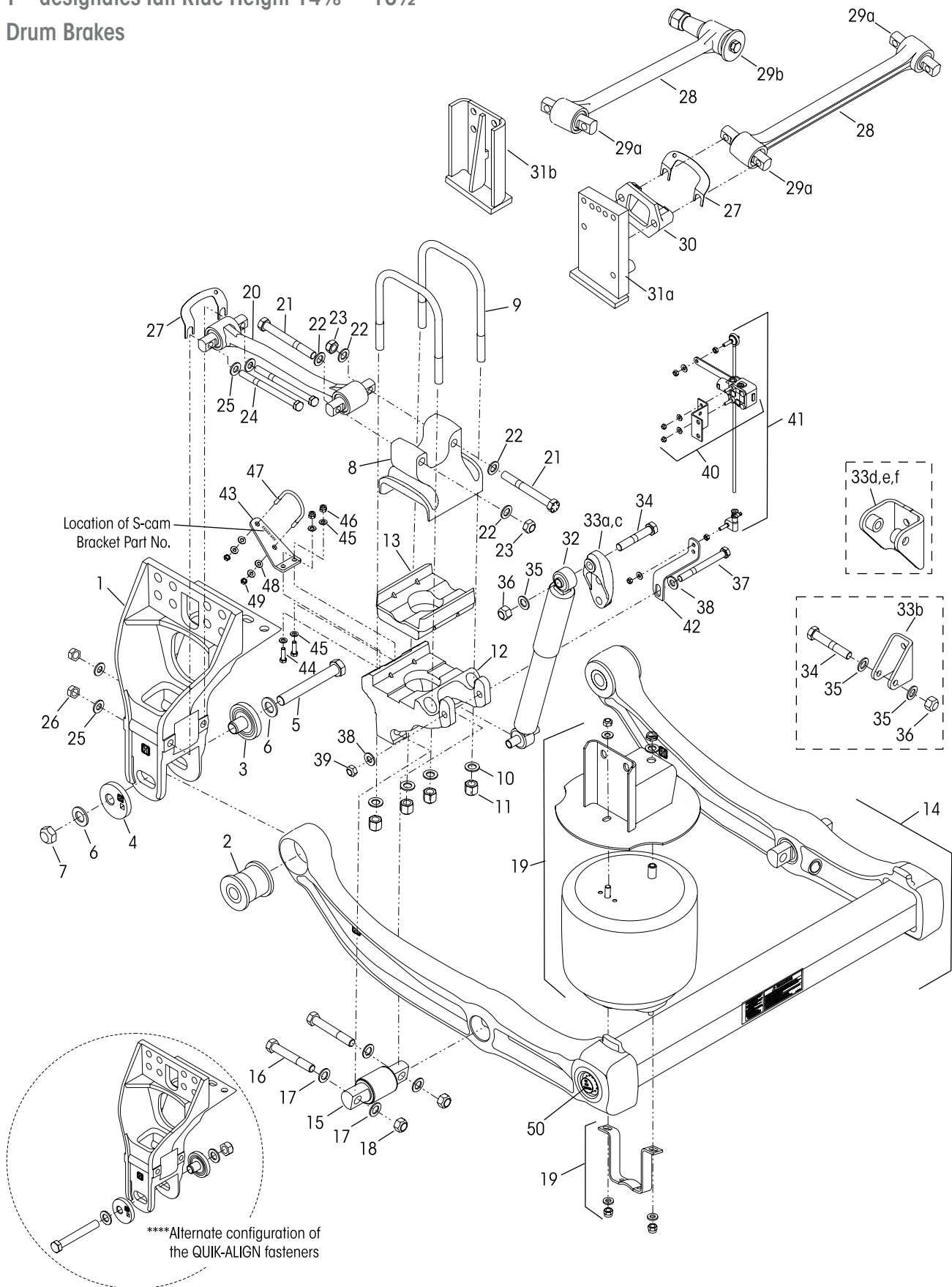
KEY NO.	PART NO.	DESCRIPTION	VEHICLE QTY.
21		*¾"-16 UNF x 6" Hex Bolt	8
22		*¾" Flat Washer	16
23		*¾"-16 UNF Locknut	8
24		*⅝"-11 UNC-2B x 8" Bolt	8
25		*⅝" Flat Washer	16
26		*⅝"-11 UNC-2A Locknut	8
27	49689-000L	Shim	As Req.
28	72000-XXXS	**ULTRA ROD PLUS Transverse Torque Rod Assembly, Includes Bushings, Specify length in mm	2
29	64400-002L	Bushing - Straddle Bar Pin - ⅝" Holes	4
30	22186-000	Transverse Torque Rod Frame Bracket	2
31	60593-000L	Axle Stop, Frame Mounted	4
32		Shock Absorber	4
	a	60665-013L Standard with Drum Brakes	
	b	68069-002 FIREMAAX EX 31K•62K - Old Setup	
	c	70807-002 FIREMAAX EX, (Not Shown) <i>New and retrofitted models, not interchangeable with 32a,b</i>	
33		Upper Shock Frame Bracket	4
	a	67463-002 Standard Cast	
	b	59423-001 Standard Fabricated Clevis	
	c	59423-002 FIREMAAX EX 31K•62K, <i>use with 33b</i>	
	d	78250-002 High Strength Cast, <i>use with 33c</i>	
	e	78896-001 High Strength Clevis, High Mount, <i>use with 33c</i>	
	f	78896-002 High Strength Clevis, Low Mount, <i>use with 33c</i>	
		Shock Absorber Fastener Service Kit	
	50754-034	One Wheel End, Includes Key Nos. 34a, 35-39	
	50754-036	One Wheel End, Includes Key Nos. 34b, 35-39	
	50754-056	One Wheel End, Includes Key Nos. 34c, 35-39	
	50754-050	One Wheel End, Includes Key Nos. 34d, 35-39	
34		*¾"-10 UNC Upper Shock Bolt	4
	a	3¾", <i>use with 33b</i>	
	b	4¼", <i>use with 33a,b,c</i>	
	c	5", <i>use with 33d</i>	
	d	6½", <i>use with 33e,f</i>	
35		*¾" Flat Washer	As Req.
36		*¾"-10 UNC Locknut	4
37		*⅝"-11 UNC x 7" Lower Shock Bolt	4
38		*⅝" Flat Washer	8
39		*⅝"-11 UNC-2B Locknut	4
	58525-019	Height Control Valve Assembly Service Kit, Includes Key Nos. 40-42	
40	57977-000	Height Control Valve Assembly	As Req.
41	58994-005L	HCV Linkage Assembly	As Req.
42		*Height Control Valve Linkage Bracket	As Req.
43	64508-XXX	S-cam Support Bracket, <i>Locate part number on component</i>	4
	58821-017	S-cam Fastener Service Kit, Axle Set, Includes Key Nos. 44-49	
44		*⅜"-16 UNC x 1¼" Hex Bolt	8
45		*⅜" Hardened Washer	16
46		*⅜"-16 UNC Locknut	8
47		*⅝/16" S-Cam U-bolt	4
48		*⅝/16" Hardened Washer	16
49		*⅝/16"-18 UNC Locknut	8
50	69565-001	U-beam Assembly Enhancement Aftermarket Service Kit, Axle Set, See Page 7 for contents	
51	70867-001	P-80 Lubricant - 10 ml (Not Shown) per Bushing	1
	30272-000	Pressure Protection Valve, E-One Fire/Rescue Vehicles Only (Not Shown)	1



PRIMAAX EX 26KT • 52KT • 78KT | FIREMAAX EX 27KT • 31KT • 54KT • 62KT

T – designates Tall Ride Height 14³/₈" – 15¹/₂"

Drum Brakes



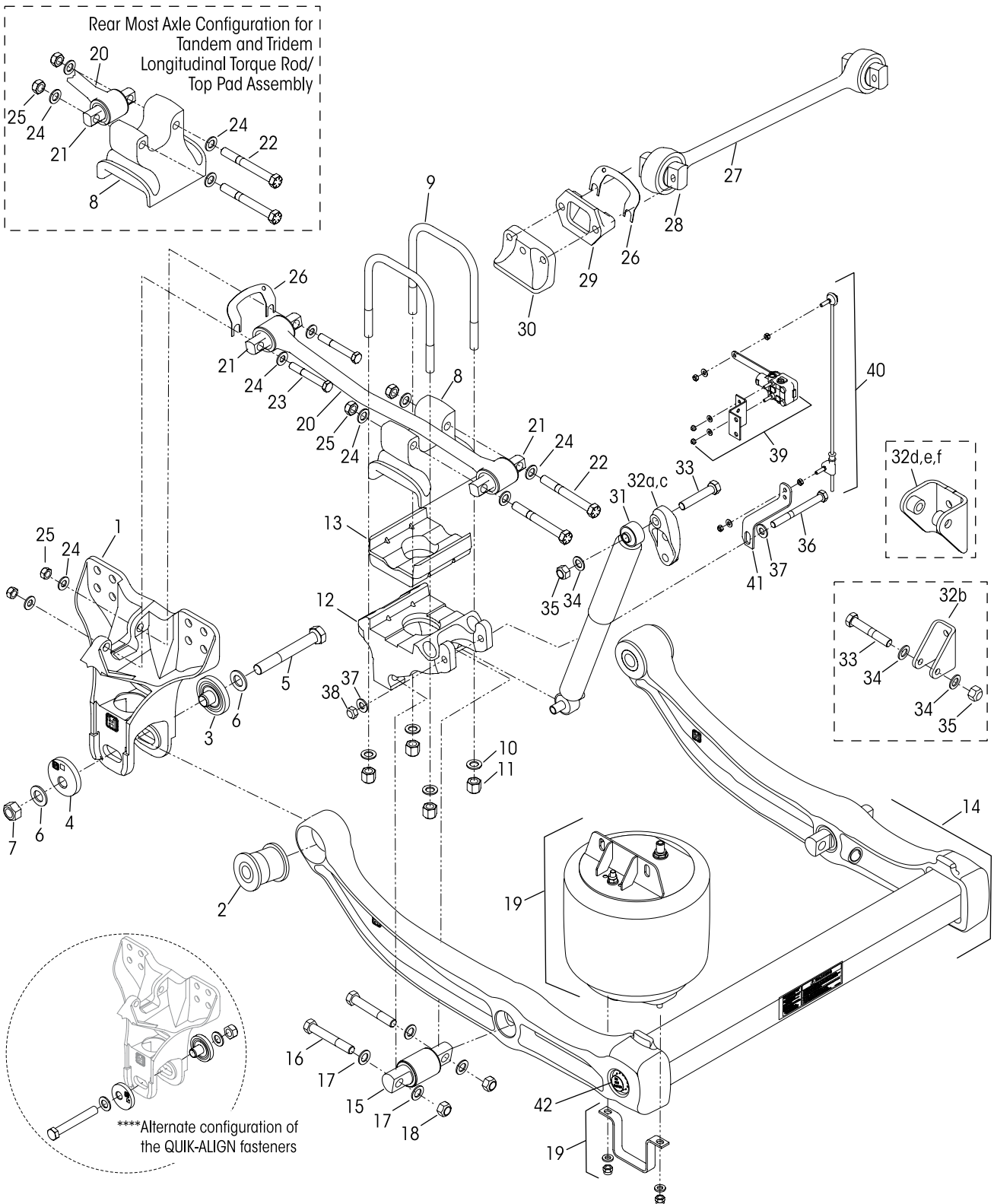


VEHICLE				VEHICLE			
KEY NO.	PART NO.	DESCRIPTION	QTY.	KEY NO.	PART NO.	DESCRIPTION	QTY.
1	67299-001	LH EX Frame Hanger	2	24		*5/8"-11 UNC-2B x 8" Bolt	8
	67299-002	RH EX Frame Hanger	2	25		*5/8" Flat Washer	16
		QUIK-ALIGN Pivot Bushing Service Kit, Includes Key Nos. 2-7, 51		26		*5/8"-11 UNC-2A Locknut	8
	60961-720	One Wheel End		27	49689-000L	Shim	As Req.
	60632-020	Axle Set		28		**Transverse Torque Rod Assembly, Includes Bushing 2	
		QUIK-ALIGN Collar Service Kit, Includes Key Nos. 3-7			62250-515	Terex Advance Mixer Vehicles	
	60632-019	One Wheel End			62000-620	Oshkosh Truck Vehicles	
	60632-021	Axle Set			62000-630	Oshkosh Truck Vehicles	
	60632-026	Axle Set, Pierce Only		29 a	47691-000L	Straddle Torque Rod Bushing	As Req.
	60632-018	QUIK-ALIGN Fastener Service Kit, One Wheel End, Includes Key Nos. 5-7		b	64809-000L	Taper Pin Bushing, Includes Fasteners	
2		*QUIK-ALIGN Pivot Bushing	4	30	22186-000	Transverse Torque Rod Frame Bracket	2
3		*QUIK-ALIGN Concentric Collar	4	31		Axle Stop, Frame Mounted	4
4		*QUIK-ALIGN Eccentric Collar	4	a	64696-002	RH Rear - Oshkosh	
5		*1"-1.4 UNF-2A x 7 1/2" H-Coat Hex Bolt	4	a	64696-003	LH Front - Oshkosh	
6		*1" H-Coat Flat Washer	8	b	64692-001	LH Rear - Indiana Phoenix, Oshkosh	
7		*1"-1.4 UNF-2B H-Coat Locknut	4	b	64692-004	RH Front- Oshkosh	
8		Top Pad, <i>See illustration on Page 4</i>	4	b	64692-006	RH Front- Indiana Phoenix	
		U-bolt Service Kit, One Wheel End		32		Shock Absorber	4
	48718-120	1 3/8"-15 1/2" Ride Height, Includes Key Nos. 9a,b, 10-11		a	60665-013L	Standard	
	48718-121	12 1/2" Ride Height, Includes Key Nos. 9c,d, 10-11		b	68069-002	FIREMAAX EX 31K •62K - Old Setup	
9		*3/4" Square U-bolt	8	c	70807-002	FIREMAAX EX, (Not Shown) <i>New and retrofitted models, not interchangeable with 32a,b</i>	
a		10", Outboard 1 3/8"-15 1/2" Ride Height		33		Upper Shock Frame Bracket	4
b		10 1/2", Inboard 1 3/8"-15 1/2" Ride Height		a	67463-002	Standard Cast	
c		11 1/2", Outboard 12 1/2" Ride Height		b	59423-001	Standard Fabricated Clevis	
d		12", Inboard 12 1/2" Ride Height		c	59423-002	FIREMAAX EX 31K•62K, <i>use with 32b</i>	
10		*3/4" Flat Washer	16	d	78250-002	High Strength Cast, <i>use with 32c</i>	
11		*3/4"-1.6 UNF U-bolt Locknut	16	e	78896-001	High Strength Clevis, High Mount, <i>use with 32c</i>	
12		Bottom Cap - Front and Rear <i>See Selection Guide on Page 4</i>	4	f	78896-002	High Strength Clevis, Low Mount, <i>use with 32c</i>	
13		Axle Spacer - Front and Rear <i>See Selection Guide on Page 4</i>	4			Shock Absorber Fastener Service Kit	
14		U-beam Assembly, Includes Key Nos. 2, 15	2		50754-034	One Wheel End, Includes Key Nos. 34a, 35-39	
		• Front			50754-036	One Wheel End, Includes Key Nos. 34b, 35-39	
	67249-006	34.0" Frame Width			50754-056	One Wheel End, Includes Key Nos. 34c, 35-39	
	67249-014	34.3" Frame Width			50754-050	One Wheel End, Includes Key Nos. 34d, 35-39	
	67249-016	34.5" Frame Width		34		*3/4"-10 UNC Upper Shock Bolt	4
	67249-026	34.8" Frame Width		a		3 3/4", <i>use with 33b</i>	
		• Rear		b		4 1/4", <i>use with 33a,b,c</i>	
	67249-005	34.0" Frame Width		c		5", <i>use with 33d</i>	
	67249-013	34.3" Frame Width		d		6 1/2", <i>use with 33e,f</i>	
	67249-015	34.5" Frame Width		35		*3/4" Flat Washer	As Req.
	67249-025	34.8" Frame Width		36		*3/4"-10 UNC Locknut	4
	34013-114	Single D-pin Bushing Service Kit, Includes Key Nos. 15-18		37		*5/8"-11 UNC x 6" Lower Shock Bolt	4
15		*D-pin Bushing	4	38		*5/8" Flat Washer	8
	56659-010	D-pin Fastener Service Kit, Axle Set Includes Key Nos. 16-18		39		*5/8"-11 UNC-2B Locknut	4
16		*7/8"-14 UNF x 5" Bolt	8		58525-019	Height Control Valve Assembly Service Kit, Includes Key Nos. 40, 41a, 42	
17		*7/8" Flat Washer	16	40	57977-000	Height Control Valve Assembly	As Req.
18		*7/8"-14 UNF Locknut	8	41		HCV Linkage Assembly	1
19		Air Spring Assembly, <i>Configuration may vary per suspension capacity, See Selection Guide on Page 6</i>	4	a	58994-005L	14.84" Length	
20		Longitudinal Torque Rod Assembly <i>See Selection Guide on Page 5</i>	4	b	58994-029	20.24" Length	
		Longitudinal Torque Rod Fastener Service Kit,		42		*Height Control Valve Linkage Bracket	As Req.
	49176-031	Axle Set, Includes Key Nos. 21-26		43	64508-XXX	S-cam Support Bracket, <i>Locate part number on component</i>	4
	49176-032	Axle Set, Includes Key Nos. 24-26			58821-017	S-cam Service Kit, Axle Set, Includes Key Nos. 44-49	
21		*3/4"-1.6 UNF x 6" Hex Bolt	8	44		*3/8"-1.6 UNC x 1 1/4" Hex Bolt	8
22		*3/4" Flat Washer	16	45		*3/8" Hardened Washer	16
23		*3/4"-1.6 UNF Locknut	8	46		*3/8"-1.6 UNC Locknut	8
				47		*5/16" S-Cam U-bolt	4
				48		*5/16" Hardened Washer	16
				49		*5/16"-1.8 UNC Locknut	8
				50	69565-001	U-beam Assembly Enhancement Aftermarket Service Kit, Axle Set, See Page 7 for contents	
				51	70867-001	P-80 Lubricant - 10 ml (Not Shown) per Bushing 1	

PRIMAAX EX 26K • 52K • 78K | FIREMAAX EX 27K • 31K • 54K • 62K

8½" – 10" Ride Height

Air Disc Brakes



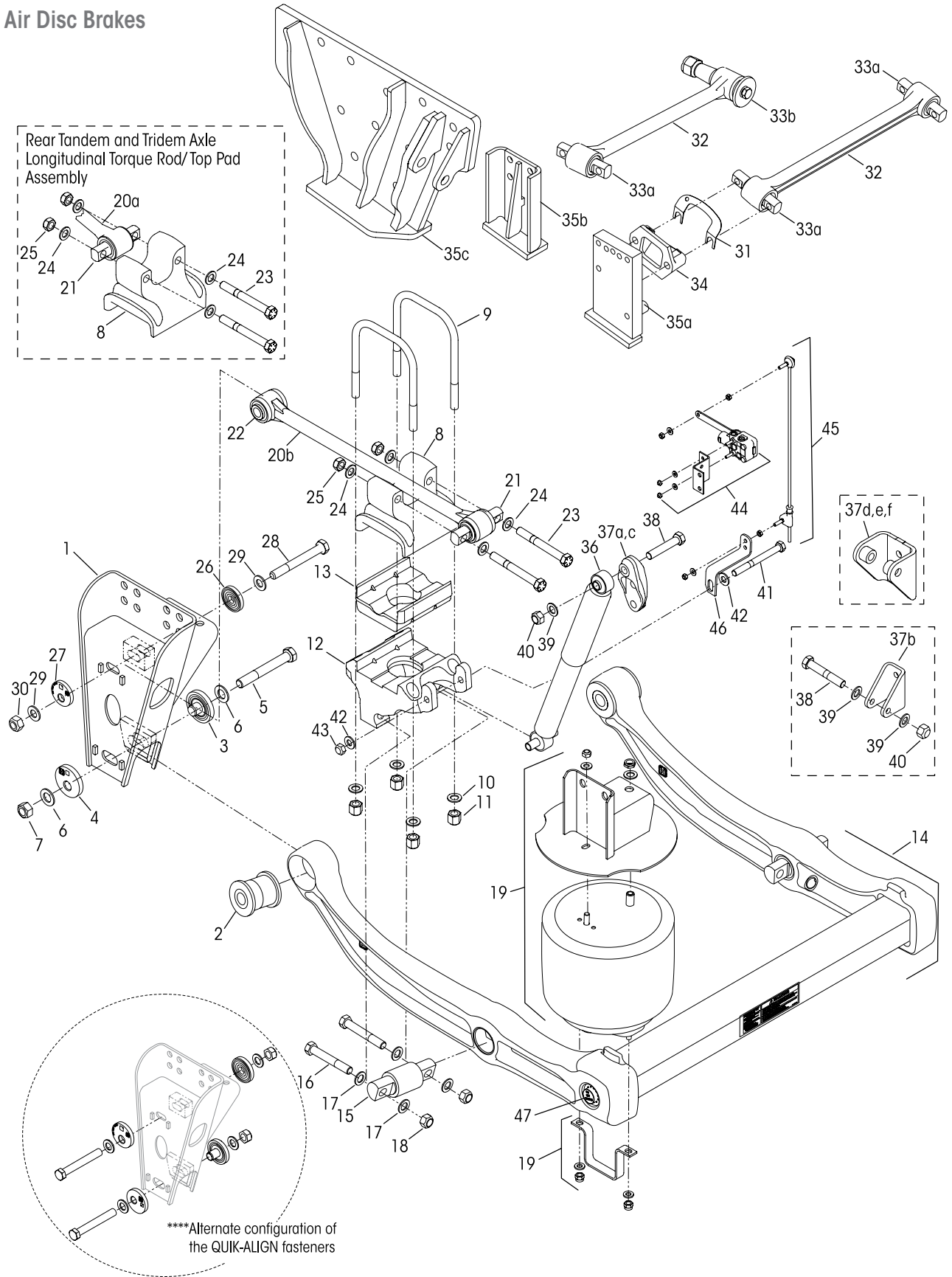
H Disc Brake – PRIMAAX® EX 26K • 52K • 78K | FIREMAX® EX 27K • 31K • 54K • 62K

KEY NO.	PART NO.	DESCRIPTION	VEHICLE QTY.	KEY NO.	PART NO.	DESCRIPTION	VEHICLE QTY.
1	60821-001	Frame Hanger	4	20		Longitudinal Torque Rod Assembly <i>See Selection Guide on Page 5</i>	4
		QUIK-ALIGN Pivot Bushing Service Kit, Includes Key Nos. 2-7, 43		21	69210-000L	Bushing - Straddle Bar Pin (3/4" Holes)	8
	60961-720	One Wheel End			49176-017	Longitudinal Torque Rod Fastener Kit, Axle Set Includes Key No. 22-25	
	60632-020	Axle Set		22		*3/4"-16 UNF 6" Hex Bolt	8
		QUIK-ALIGN Collar Service Kit, Includes Key Nos. 3-7		23		*3/4"-16 UNF 3 3/4" Hex Bolt	8
	60632-019	One Wheel End		24		*3/4" Flat Washer	32
	60632-021	Axle Set		25		*3/4"-16 UNF Locknut	16
	60632-018	QUIK-ALIGN Fastener Service Kit, One Wheel End, Includes Key Nos. 5-7		26	49689-000L	Shim	As Req.
2		*QUIK-ALIGN Pivot Bushing	4	27	72000-XXS	**ULTRA ROD PLUS Transverse Torque Rod Assembly, Includes Bushings, Specify length in mm	2
3		*QUIK-ALIGN Concentric Collar	4	28	64400-002L	Bushing - Straddle Bar Pin - 5/8" Holes	4
4		*QUIK-ALIGN Eccentric Collar	4	29	22186-000	Transverse Torque Rod Frame Bracket	2
5		*1"-14 UNF-2A x 7 1/2" H-Coat Hex Bolt	4	30	60593-000L	Axle Stop, Frame Mounted	4
6		*1" H-Coat Flat Washer	8	31		Shock Absorber	4
7		*1"-14 UNF-2B H-Coat Locknut	4	a	60665-015	Stabdard with Air Disc Brake	
8		Top Pad, <i>See illustration on Page 4</i>	4	b	68069-002	FIREMAX EX 31K•62K - Old Setup	
		U-bolt Service Kit, One Wheel End		c	70807-002	FIREMAX EX, (Not Shown) <i>New and retrofitted models, not interchangeable with 31a,b</i>	
	48718-120	Includes Key Nos. 9a, b, 10-11		32		Upper Shock Frame Bracket	4
	48718-121	Includes Key Nos. 9c, d, 10-11		a	67463-002	Standard Cast	
9		*3/4" Square U-bolt	8	b	59423-001	Standard Fabricated Clevis	
a		10", Outboard 10" Ride Height		c	59423-002	FIREMAX 31K•62K, <i>use with 31b</i>	
b		10 1/2", Inboard 10" Ride Height		d	78250-002	High Strength Cast, <i>use with 31c</i>	
c		11 1/2", Outboard 8 1/2" Ride Height		e	78896-001	High Strength Clevis, High Mount, <i>use with 31c</i>	
d		12", Inboard 8 1/2" Ride Height		f	78896-002	High Strength Clevis, Low Mount, <i>use with 31c</i>	
10		*3/4" Flat Washer	16			Shock Absorber Fastener Service Kit	
11		*3/4"-16 UNF U-bolt Locknut	16		50754-036	One Wheel End, Includes Key Nos. 43a, 34-38	
12		Bottom Cap - Front and Rear <i>See Selection Guide on Page 4</i>	4		50754-056	One Wheel End, Includes Key Nos. 43b, 34-38	
13		Axle Spacer, <i>See Selection Guide on Page 4</i>	4		50754-050	One Wheel End, Includes Key Nos. 43c, 34-38	
14		U-beam Assembly, Includes Key Nos. 2, 15	2	33		*3/4"-10 UNC Upper Shock Bolt	4
		• Front		a		4 1/4", <i>use with 32a, b, c</i>	
	67249-006	34.0" Frame Width		b		5", <i>use with 32d</i>	
	67249-014	34.3" Frame Width		c		6 1/2", <i>use with 32e, f</i>	
	67249-016	34.5" Frame Width		34		*3/4" Flat Washer	As Req.
	67249-026	34.8" Frame Width		35		*3/4"-10 UNC Locknut	4
		• Rear		36		*5/8"-11 UNC x 7" Lower Shock Bolt	4
	67249-005	34.0" Frame Width		37		*5/8" Flat Washer	8
	67249-013	34.3" Frame Width		38		*5/8"-11 UNC-2B Locknut	4
	67249-015	34.5" Frame Width			58525-019	Height Control Valve Assembly Service Kit, Includes Key Nos. 39-41	
	67249-025	34.8" Frame Width		39	57977-000	Height Control Valve Assembly,	As Req.
	34013-114	Single D-pin Bushing Service Kit, Includes Key Nos. 15-18		40	58994-005L	HCV Linkage Assembly,	As Req.
15		*D-pin Bushing	4	41		*Height Control Valve Linkage Bracket	As Req.
	56659-010	D-pin Fastener Service Kit, Axle Set Includes Key Nos. 16-18		42	69565-001	U-beam Assembly Enhancement Aftermarket Service Kit, Axle Set, <i>See Page 7 for contents</i>	
16		*7/8"-14 UNF x 5" Bolt	8	43	70867-001	P-80 Lubricant - 10 ml (Not Shown) per Bushing 1	
17		*7/8" Flat Washer	16				
18		*7/8"-14 UNF Locknut	8				
19		Air Spring Assembly, <i>Configuration may vary per suspension capacity, See Selection Guide on Page 6</i>	4				

PRIMAAX EX 26KT • 52KT • 78KT | FIREMAAX EX 27KT • 31KT • 54KT • 62KT

T – designates Tall Ride Height 12½" – 14¾" – 15½"

Air Disc Brakes



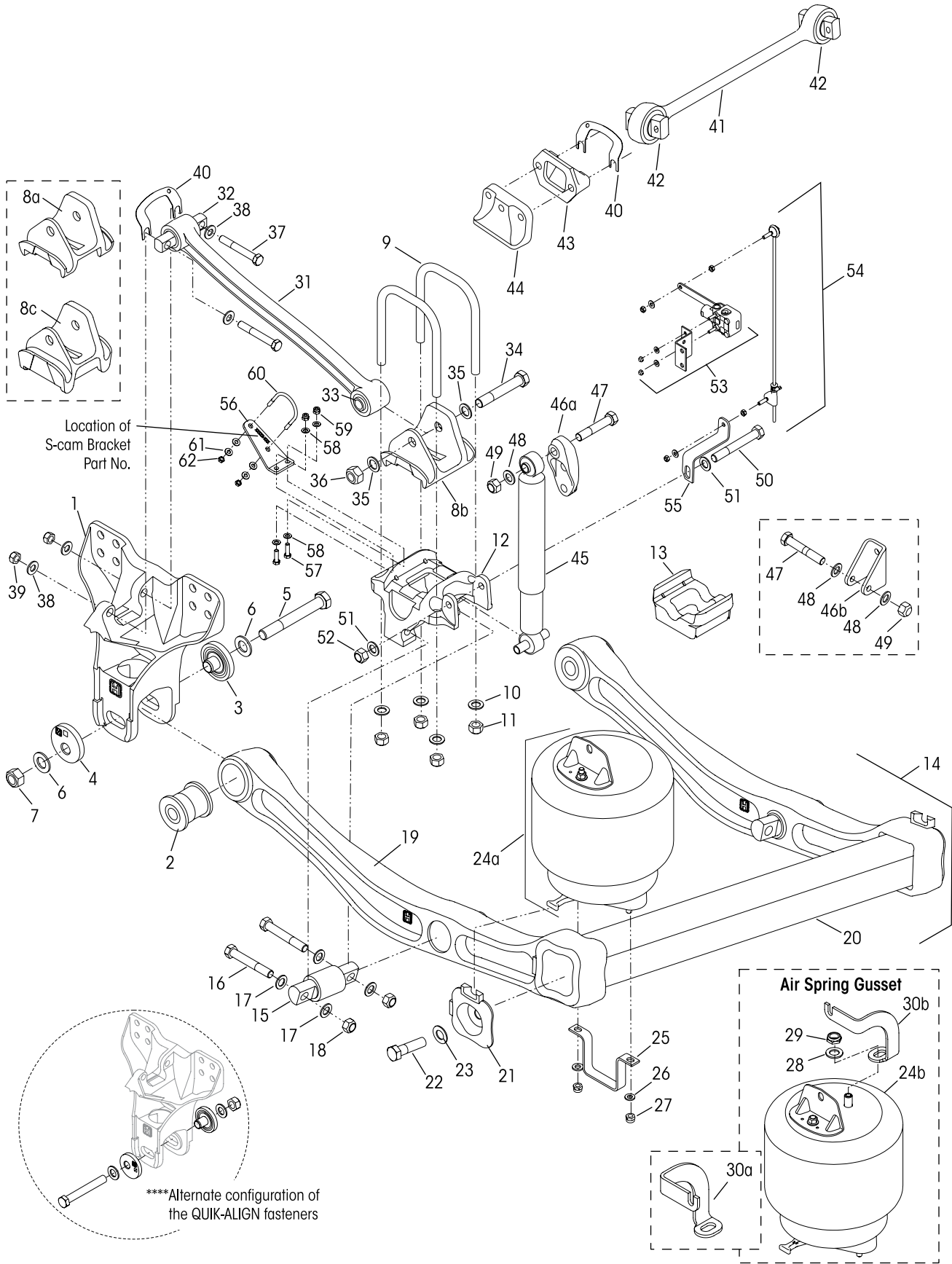


KEY NO.	PART NO.	DESCRIPTION	VEHICLE QTY.
1		Frame Hanger	4
	64451-001	LH - Terex/IPI	
	64451-002	RH - Terex/IPI	
	64451-003	LH - Oshkosh	
	64451-004	RH - Oshkosh	
	60632-022	QUIK-ALIGN Pivot Bushing & Torque Rod Service Kit, Axle Set , Includes Key Nos. 2-7, 26-30, 48	
	60632-023	QUIK-ALIGN Collar Service Kit, One Wheel End , Includes Key Nos. 3-7	
	60632-018	QUIK-ALIGN Fastener Service Kit, One Wheel End , Includes Key Nos. 5-7	
2		*QUIK-ALIGN Pivot Bushing	4
3		*Support Beam QUIK-ALIGN Concentric Collar	4
4		*Support Beam QUIK-ALIGN Eccentric Collar	4
5		*1"-14 UNF-2A x 7½" H-Coat Hex Bolt	4
6		*1" H-Coat Flat Washer	8
7		*1"-14 UNF-2B H-Coat Locknut	4
8		Top Pad, <i>See illustration on Page 4</i>	4
		U-bolt Service Kit, One Wheel End	
	48718-120	14¾"-15½" Ride Height, Includes Key Nos. 9a,b, 10-11	
	48718-121	12½" Ride Height, Includes Key Nos. 9c,d, 10-11	
9		*¾" Square U-bolt	8
a		10", Outboard 14¾"-15½" Ride Height	
b		10½", Inboard 14¾"-15½" Ride Height	
c		11½", Outboard 12½" Ride Height	
d		12", Inboard 12½" Ride Height	
10		*¾" Flat Washer	16
11		*¾"-16 UNF U-bolt Locknut	16
12		Bottom Cap - Front and Rear <i>See Selection Guide on Page 4</i>	4
13		Axle Spacer - Front and Rear <i>See Selection Guide on Page 4</i>	4
14		U-beam Assembly, Includes Key Nos. 2, 15	2
		• Front	
	67249-006	34.0" Frame Width	
	67249-014	34.3" Frame Width	
	67249-016	34.5" Frame Width	
	67249-026	34.8" Frame Width	
		• Rear	
	67249-005	34.0" Frame Width	
	67249-013	34.3" Frame Width	
	67249-015	34.5" Frame Width	
	67249-025	34.8" Frame Width	
	34013-114	Single D-pin Bushing Service Kit , Includes Key Nos. 15-18	
15		*D-pin Bushing	4
	56659-010	D-pin Fastener Service Kit, Axle Set , Includes Key Nos. 16-18	
16		*⅞"-14 UNF x 5" Bolt	8
17		*⅞" Flat Washer	16
18		*⅞"-14 UNF Locknut	8
19		Air Spring Assembly, <i>Configuration may vary per suspension capacity, See Selection Guide on Page 6</i>	4
20		Longitudinal Torque Rod Assembly	4
a	65285-620	Rear Tandem Axle	
b	65285-685	Front Tandem and Single Axle	
21	69210-000L	Torque Rod Bushing - Straddle	4
22	47692-000	Torque Rod Bushing - Thru Hole	4
	49176-024	Longitudinal Torque Rod Fastener Kit, Axle Set , Includes Key No. 23-25	
23		*¾"-16 UNF x 6" Hex Bolt	8

KEY NO.	PART NO.	DESCRIPTION	VEHICLE QTY.
24		*¾" Flat Washer	16
25		*¾"-16 UNF Locknut	8
	58821-011	Torque Rod QUIK-ALIGN Collar Bolt Service Kit, One Wheel End , Includes Key Nos. 26-30	
26		*Torque Rod QUIK-ALIGN Concentric Collar	4
27		*Torque Rod QUIK-ALIGN Eccentric Collar	4
28		*⅞"-9 UNC x 7½" Hex Bolt	4
29		*⅞" H-Coat Flat Washer	8
30		*⅞"-9 UNC H-Coat Locknut	4
31	49689-000L	Shim	As Req.
32		**Transverse Torque Rod Assembly, Includes Bushing 2	
	62250-515	Terex Advance Mixer Vehicles	
	62000-620	Oshkosh Truck Vehicles	
	62000-630	Oshkosh Truck Vehicles	
33 a	47691-000L	Straddle Torque Rod Bushing	
b	64809-000L	Taper Pin Bushing, Includes Fasteners	
34	22186-000	Transverse Torque Rod Frame Bracket	2
35		Axle Stop, Frame Mounted	4
a	64696-002	RH Rear - Oshkosh	
a	64696-003	LH Front - Oshkosh	
b	64692-001	LH Rear - Indiana Phoenix, Oshkosh	
b	64692-004	RH Front- Oshkosh	
b	64692-006	RH Front- Indiana Phoenix	
c	77773-001	RH Rear - Oshkosh, <i>not interchangeable w/35a,b</i>	
c	77773-002	LH Front - Oshkosh, <i>not interchangeable w/35a,b</i>	
36		Shock Absorber	4
a	60665-013L	For vehicles with Drum Brakes Only	
b	60665-015	For vehicles with Disc Brakes Only	
c	68069-002	FIREMAAX EX 31K•62K - Old Setup	
d	70807-002	FIREMAAX EX, (Not Shown) <i>New and retrofitted models, not interchangeable with 36a,b,c</i>	
37		Upper Shock Frame Bracket	4
a	67463-002	Standard Cast	
b	59423-001	Standard Fabricated Clevis	
c	59423-002	FIREMAAX EX 31K•62K, <i>use with 36c</i>	
d	78250-002	High Strength Cast, <i>use with 36d</i>	
e	78896-001	High Strength Clevis, High Mount, <i>use with 36d</i>	
f	78896-002	High Strength Clevis, Low Mount, <i>use with 36d</i>	
		Shock Absorber Fastener Service Kit	
	50754-036	One Wheel End, Includes Key Nos. 38a, 39-43	
	50754-056	One Wheel End, Includes Key Nos. 38b, 39-43	
	50754-050	One Wheel End, Includes Key Nos. 38c, 39-43	
38		*¾"-10 UNC Upper Shock Bolt	4
a		4¼", For use with 37a,b,c	
b		5", For use with 37d	
c		6½", For use with 37e,f	
39		*¾" Flat Washer	As Req.
40		*¾"-10 UNC Locknut	4
41		*⅝"-11 UNC x 7" Lower Shock Bolt	4
42		*⅝" Flat Washer	8
43		*⅝"-11 UNC-2B Locknut	4
	58525-019	Height Control Valve Assembly Service Kit , Includes Key Nos. 44, 45a, 46	
44	57977-000	Height Control Valve Assembly	As Req.
45		HCV Linkage Assembly	1
a	58994-005L	14.84" Length	
b	58994-029	20.24" Length	
46		*Height Control Valve Linkage Bracket	As Req.
47	69565-001	U-beam Assembly Enhancement Aftermarket Service Kit, Axle Set , <i>See Page 7 for contents</i>	
48	70867-001	P-80 Lubricant - 10 ml (Not Shown) per Bushing 1	
Not Shown	30272-000	Pressure Protection Valve, E-One Fire/Rescue Vehicles Only	1

PRIMAAX 230 • 460 • 690 | FIREMAAX 240 • 480

8½" – 10" Ride Height



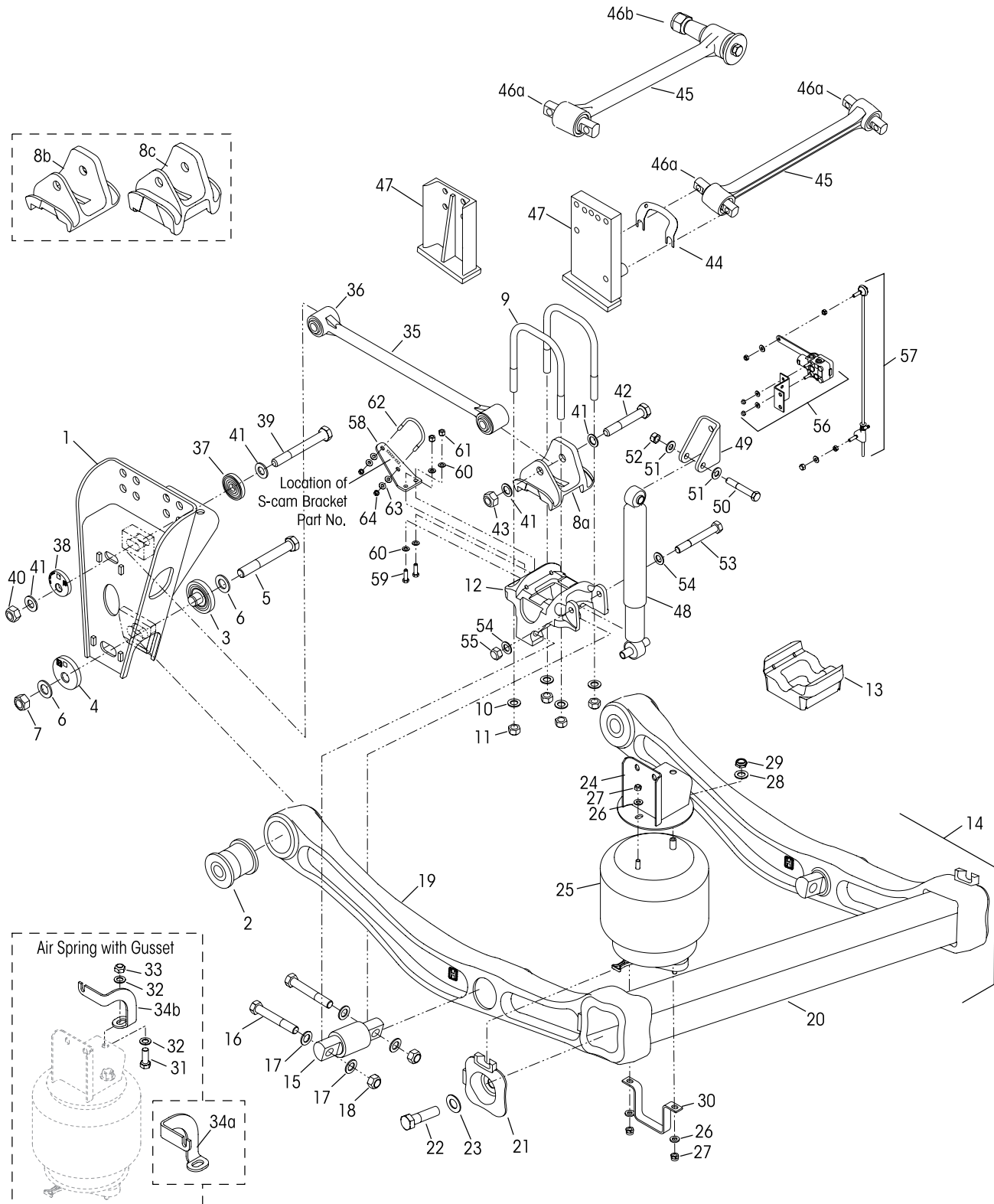


KEY NO.	PART NO.	DESCRIPTION	VEHICLE QTY.
1	60821-001	Frame Hanger	4
		QUIK-ALIGN Pivot Bushing Service Kit, Includes Key Nos. 2-7, 63	
	60961-720	One Wheel End	
	60632-020	Axle Set	
		QUIK-ALIGN Collar Service Kit, Includes Key Nos. 3-7 One Wheel End, <i>Replaces 60632-006</i>	
	60632-019	One Wheel End	
	60632-021	Axle Set	
	60632-018	QUIK-ALIGN Fastener Service Kit, One Wheel End, Includes Key Nos. 5-7, <i>Replaces 60632-005</i>	
2		*QUIK-ALIGN Pivot Bushing	4
3		*QUIK-ALIGN Concentric Collar	4
4		*QUIK-ALIGN Eccentric Collar	4
5		*1"-1.4 UNF-2A x 7½" H-Coat Hex Bolt	4
6		*1" H-Coat Flat Washer	8
7		*1"-1.4 UNF-2B H-Coat Locknut	4
8	a	60877-001 Top Pad – Meritor Axle, <i>Replaces 60877-000</i>	4
	b	60877-001 Top Pad – Dana Axle	4
	c	65641-000 Top Pad – Disc Brake Applications	4
		U-bolt Service Kit, One Wheel End	
	48718-108	Includes Key Nos. 9a-11	
	48718-125	Includes Key Nos. 9b-11	
	48718-126	Includes Key Nos. 9c-11	
	48718-132	Includes Key Nos. 9d-11	
9		*¾" Square U-bolt	8
	a	8⅞" Length, 10" Ride Ht, <i>use with 8a, 8b</i>	
	b	10⅜" Length, 8½" Ride Ht, <i>use with 8a, 8b, 13</i>	
	c	9⅞" Length, 10" Ride Ht, <i>use with 8c</i>	
	d	11⅜" Length, 8½" Ride Ht, <i>use with 8c, 13</i>	
10		*¾" Flat Washer	16
11		*¾"-1.6 UNF U-bolt Locknut	16
12	60556-XXX	Bottom Cap, <i>See Selection Guide on Page 3</i>	4
13	65139-003	Axle Spacer - 8½" Ride Ht.	4
14	60961-XXX	U-beam Assembly, Includes Key Nos. 2, 15 <i>(Replaces previous U-beam assembly, support beam and cross tube assembly, see replacement guide on Page 26)</i>	2
		Single D-pin Bushing Service Kit,	
	34013-117	Includes Key Nos. 15, 16a, 17-18	
	34013-107	Includes Key Nos. 15, 16b, 17-18	
	34013-201	Includes Key Nos. 15, 16c, 17-18	
	34013-116	Includes Key Nos. 15, 16d, 17-18	
15		*D-pin Bushing	4
		D-pin Fastener Service Kit, Axle Set,	
	56659-012	Includes Key Nos. 16a, 17-18	
	56659-009	Includes Key Nos. 16b, 17-18	
	56659-014	Includes Key Nos. 16c, 17-18	
	56659-013	Includes Key Nos. 16d, 17-18	
16		*¾"-1.6 UNF Bolt	8
	a	4¾" Length	
	b	5" Length	
	c	5¼" Length	
	d	5½" Length	
17		*¾" Flat Washer	16
18		*¾"-1.6 UNF Locknut	8
19		***Support Beam Assembly (66435-XXX, <i>see replacement guide on Page 26</i>)	
20		***Cross Tube (60912-001, <i>see replacement guide on Page 26</i>)	
	46772-001	End Cap and Fastener Kit, Axle Set, Includes Key Nos. 21-23	
21		*End Cap	4
22		*⅞"-9 UNC x 3½" Hex Bolt	4
23		*⅞" H-Coat Flat Washer	4
		Single Air Spring Service Kit,	
	60961-062	PRIMAAX, Includes Key Nos. 24a, 25-27	
	60961-126	FIREMAAX, Includes Key Nos. 24b, 25-29	

KEY NO.	PART NO.	DESCRIPTION	VEHICLE QTY.
24		Air Spring Assembly with Upper Frame Bracket	4
	a	60271-002L PRIMAAX	
	b	65183-002L FIREMAAX	
25	60911-000	Lower Air Spring Mounting Bracket	4
		Air Spring Fastener Service Kits, Single	
	49177-006	Lower, Includes Key Nos. 26-27	
	49177-024	Upper/Lower, Includes Key Nos. 26-29	
26		*½" Flat Washer	8
27		*½"-1.3 UNC Locknut	8
28		*¾" Flat Washer	4
29		*¾"-1.6 UNF Locknut	4
30	a	59479-003 Air Spring Gusset (if equipped)	2
	b	59479-004 Air Spring Gusset (if equipped)	2
31		Longitudinal Torque Rod Assembly, <i>See Selection Guide on Page 3,</i> Includes Key Nos. 32-33	4
32	69210-000L	Bushing - Straddle Bar Pin - ¾" Holes	4
33	47692-000L	Torque Rod Bushing - Thru Holes	4
		Longitudinal Torque Rod Fastener Kit	
	49176-008	Axle Set, Includes Key Nos. 34-39	
	58821-012	Single, Thru Bolt Connection, Includes Key Nos. 34-36	
34		*⅞"-1.4 UNF-2A x 5½" Hex Bolt	4
35		*⅞" H-Coat Flat Washer	8
36		*⅞"-1.4 UNF-2B Locknut	4
37		*¾"-1.6 UNF-2A x 3¾" Hex Bolt	8
38		*¾" Flat Washer	16
39		*¾"-1.6 UNF-2B Locknut	8
40	49689-000L	Shim	As Req.
41	72000-XXXS	**ULTRA ROD PLUS Transverse Torque Rod Assembly, Includes Bushings, Specify length in mm	2
42	64400-002L	Bushing - Straddle Bar Pin (¾" Holes)	4
43	22186-000	Transverse Torque Rod Frame Bracket	2
44	60593-000L	Axle Stop, Frame Mounted	4
45		Shock Absorber	4
	60657-003L	Standard	
	60665-014	FIREMAAX Disc Brake Applications	
	60665-018L	FIREMAAX Drum Brake Applications	
46		Upper Shock Frame Bracket	4
	a	67463-002 Standard, <i>Replaces 65000-002</i>	
	b	59423-001 FIREMAAX	
	50754-030	Single Shock Fastener Service Kit, Includes Key Nos. 47-52	
47		*¾"-1.0 UNC x 4¼" Upper Shock Bolt	4
48		*¾" Flat Washer	As Req.
49		*¾"-1.0 UNC Locknut	4
50		*⅝"-1.1 UNC x 6" Lower Shock Bolt	4
51		*⅝" Flat Washer	8
52		*⅝"-1.1 UNC-2B Locknut	4
	58525-019	Height Control Valve Assembly Service Kit, Includes Key Nos. 53-55	
53	57977-000	HCV Assembly	1
54	58994-005L	HCV Linkage Assembly 14.84" Length	1
55		*Height Control Valve Linkage Bracket	1
56	64508-XXX	S-cam Support Bracket <i>Locate part number on component</i>	4
	58821-017	S-cam Fastener Service Kit, Axle Set, Includes Key Nos. 57-62	
57		*⅝"-1.6 UNC x 1¼" Hex Bolt	8
58		*⅝" Hardened Washer	16
59		*⅝"-1.6 UNC Locknut	8
60		*⅝"-1.6 S-Cam U-bolt	4
61		*⅝"-1.6 Hardened Washer	16
62		*⅝"-1.8 UNC Locknut	8
63	70867-001	P-80 Lubricant - 10 ml (Not Shown) per Bushing 1	

PRIMAAX 230T • 460T • 690T | FIREMAAX 240T • 480T

T – designates Tall Ride Height 12½" – 14¾" – 15½"

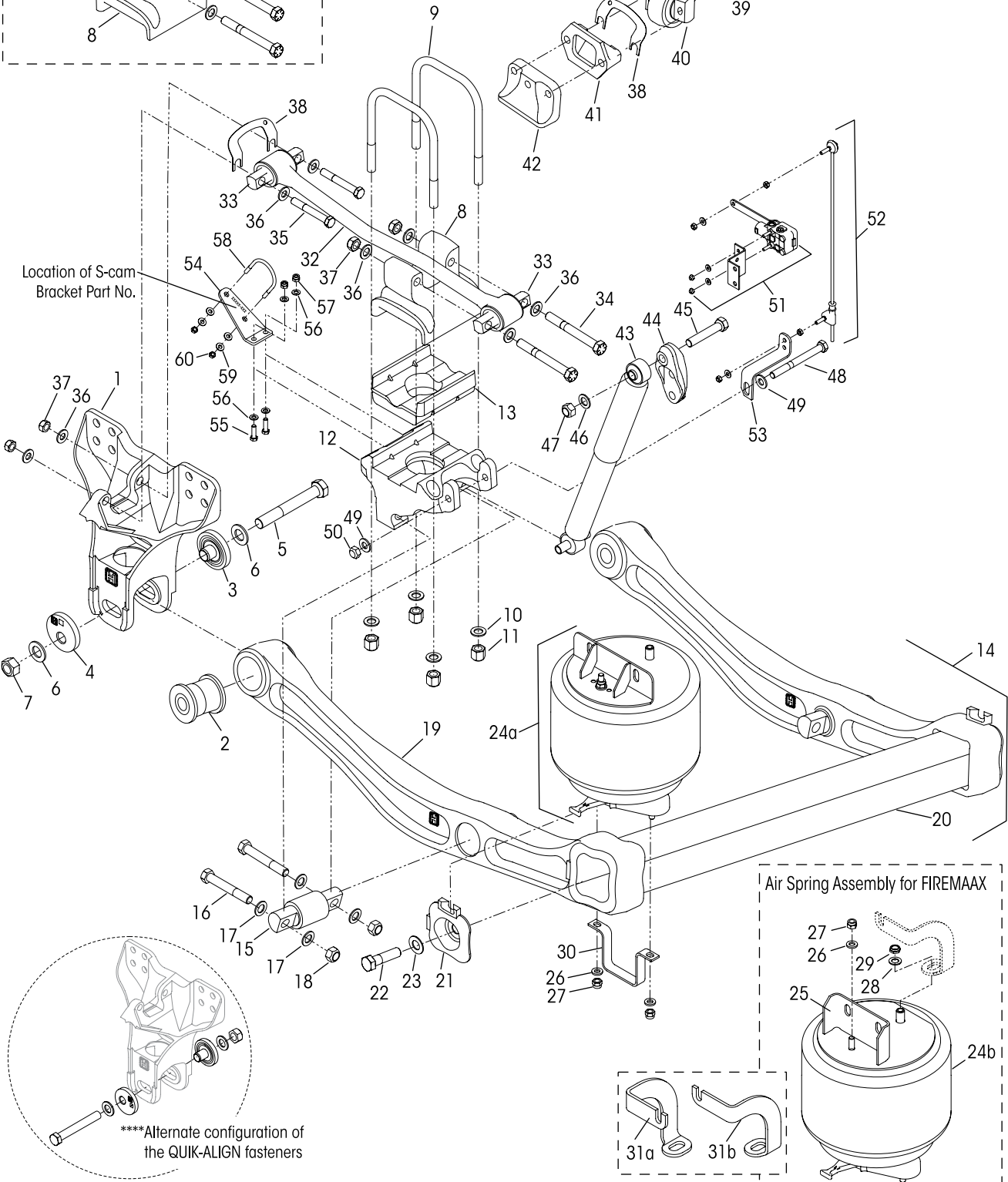
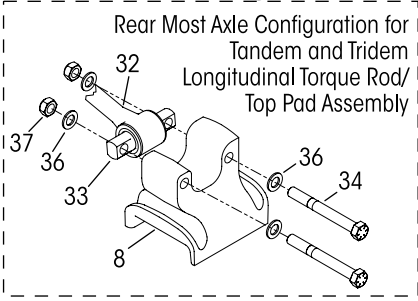




KEY NO.	PART NO.	DESCRIPTION	VEHICLE QTY.	KEY NO.	PART NO.	DESCRIPTION	VEHICLE QTY.
1		Frame Hanger	4			Air Spring Fastener Service Kits, Single	
	64451-001	LH - Terex/IPI			49177-006	Lower, Includes Key Nos. 26-27	
	64451-002	RH - Terex/IPI			49177-023	Upper/Lower, Includes Key Nos. 26-29	
	64451-003	LH - Oshkosh, <i>Replaces 64451-001</i>			49177-025	FIREMAAX, Includes Key Nos. 26-29, 31-33	
	64451-004	RH - Oshkosh, <i>Replaces 64451-002</i>		26		*1/2" Flat Washer	12
	60632-022	QUIK-ALIGN Pivot Bushing & Torque Rod Service Kit, Axle Set, <i>Replaces 60632-009</i> Includes Key Nos. 2-7, 39-43, 65		27		*1/2"-13 UNC Locknut	12
	60632-023	QUIK-ALIGN Collar Service Kit, One Wheel End, <i>Replaces 60632-007</i> , Includes Key Nos. 2-7		28		*3/4" Flat Washer	4
	60632-018	QUIK-ALIGN Fastener Service Kit, One Wheel End, <i>Replaces 60632-005</i> Includes Key Nos. 5-7, <i>Replaces 60632-005</i>		29		*3/4"-16 UNF Locknut	4
2		*QUIK-ALIGN Pivot Bushing	4	30	60911-000	Lower Air Spring Mounting Bracket	4
3		*Support Beam QUIK-ALIGN Concentric Collar	4	31		*3/4"-10 UNC x 2" Bolt	4
4		*Support Beam QUIK-ALIGN Eccentric Collar	4	32		*3/4" Flat Washer	8
5		*1"-14 UNF-2A x 7 1/2" H-Coat Hex Bolt	4	33		*3/4"-10 UNC Locknut	4
6		*1" H-Coat Flat Washer	8	34 a	59479-003	Air Spring Gusset (if equipped)	2
7		*1"-14 UNF-2B H-Coat Locknut	4	b	59479-004	Air Spring Gusset (if equipped)	2
8 a	60877-001	Top Pad - Meritor Axle, <i>Replaces 60877-000</i>	4	35		Longitudinal Torque Rod Assembly	4
b	60877-001	Top Pad - Dana Axle	4		60641-640	Front, Includes Bushings	
c	65641-000	Top Pad - Disc Brake Applications	4		60641-660	Rear, Includes Bushings	
		U-bolt Service Kit, One Wheel End,		36	47692-000L	Torque Rod Bushing - Thru Holes	8
	48718-108	Includes Key Nos. 8a-10			58821-011	Torque Rod QUIK-ALIGN Collar Bolt Service Kit, Per Wheel End, <i>Replaces 58821-012</i> , Includes Key Nos. 37-41	
	48718-125	Includes Key Nos. 8b-10			58821-012	Single Longitudinal Torque Rod Fastener Kit, Thru Bolt Connection, <i>Replaces 58821-011</i> , Includes Key Nos. 41-43	
	48718-126	Includes Key Nos. 8c-10		37		*Torque Rod QUIK-ALIGN Concentric Collar	4
	48718-132	Includes Key Nos. 8d-10		38		*Torque Rod QUIK-ALIGN Eccentric Collar	4
9		*3/4" Square U-bolt	8	39		*7/8"-9 UNC x 7 1/2" Hex Bolt	4
a		8 7/8" Length, 10" Ride Ht, <i>use with 8a, 8b</i>		40		*7/8"-9 UNC H-Coat Locknut	4
b		10 3/8" Length, 8 1/2" Ride Ht, <i>use with 8a, 8b, 13</i>		41		*7/8" H-Coat Flat Washer	16
c		9 7/8" Length, 10" Ride Ht, <i>use with 8c</i>		42		*7/8"-14 UNF x 5 1/2" Hex Bolt	4
d		11 3/8" Length, 8 1/2" Ride Ht, <i>use with 8c, 13</i>		43		*7/8"-14 UNF Locknut	4
10		*3/4" Flat Washer	16	44	49689-000L	Shim	As Req.
11		*3/4"-16 UNF U-bolt Locknut	16	45		**Transverse Torque Rod Assembly, Includes Bushing 2	
12	60556-XXX	Bottom Cap, <i>See Page 3 for part no. location</i>	4		62250-515	Terex Advance Mixer Vehicles	
13	65139-003	Axle Spacer - 12 1/2" Ride Height	4		62000-620	Oshkosh Truck Vehicles	
14	60961-XXX	U-beam Assembly, Includes Key Nos. 2, 15 <i>(Replaces the previous support beam and cross tube assembly, see replacement guide on Page 26)</i>	2	46 a	47691-000L	Straddle Torque Rod Bushing	
		Single D-pin Bushing Service Kit,		b	64809-000L	Taper Pin Bushing with Fasteners	
	34013-107	Includes Key Nos. 15, 16a, 17-18		47		Axle Stop, Frame Mounted	1
	34013-116	Includes Key Nos. 15, 16b, 17-18			64692-001	LH Rear - Indiana Phoenix	
	34013-117	Includes Key Nos. 15, 16c, 17-18			64696-002	RH Rear - Oshkosh	
15		*D-pin Bushing	4		64696-003	LH Front - Oshkosh	
		D-pin Fastener Service Kit, Axle Set,			64692-004	RH Front - Oshkosh	
	56659-009	Includes Key Nos. 16a, 17-18			64692-006	RH Front - Indiana Phoenix	
	56659-013	Includes Key Nos. 16b, 17-18		48	60665-011	Shock Absorber	4
	56659-012	Includes Key Nos. 16c, 17-18		49	59423-001	Upper Shock Frame Bracket	4
16		*3/4"-16 UNF Bolt	8		50754-030	Single Shock Fastener Service Kit, <i>Replaces 50754-030</i> , Includes Key Nos. 50-55	
a		Length 5"		50		*3/4"-10 UNC x 4 1/4" Upper Shock Bolt	4
b		Length 5 1/2"		51		*3/4" Flat Washer	8
c		Length 4 3/4"		52		*3/4"-10 UNC Locknut	4
17		*3/4" Flat Washer	16	53		*5/8"-11 UNC x 6" Lower Shock Bolt	4
18		*3/4"-16 UNF Locknut	8	54		*5/8" Flat Washer	8
19		***Support Beam Assembly (<i>66435-XXX, see replacement guide on Page 26</i>)		55		*5/8"-11 UNC Locknut	4
20		***Cross Tube (<i>60912-XXX, see replacement guide on Page 26</i>)			58525-020	Height Control Valve Assembly Service Kit, <i>Replaces 58525-020</i> , Includes Key Nos. 56-57a	
	46772-001	End Cap and Fastener Kit, Axle Set, <i>Replaces 46772-001</i> , Includes Key Nos. 21-23		56	57977-000	Height Control Valve Assembly	1
21		*End Cap	4	57		HCV Linkage Assembly	1
22		*7/8"-9 UNC x 3 1/2" Hex Bolt	4	a	58994-015	8.27" Length	
23		*7/8" H-Coat Flat Washer	4	b	58994-005L	14.84" Length	
24	65031-001	Upper Air Spring Bracket Ass'y - 14 3/8" Ride Ht.	4	b	58994-029	20.24" Length	
	65031-002	Upper Air Spring Bracket Ass'y - 15 1/2" Ride Ht.	4	58	64508-XXX	S-cam Support Bracket, <i>Locate part number on component</i>	4
		Single Air Spring Service Kit,			58821-017	S-cam Fastener Service Kit, Axle Set, <i>Replaces 58821-017</i> , Includes Key Nos. 59-64	
	60961-124	PRIMAAX, Includes Key Nos. 25-30		59		*3/8"-16 UNC x 1 1/4" Hex Bolt	8
	60961-125	FIREMAAX, Includes Key Nos. 25-33		60		*3/8" Hardened Washer	16
25	65032-002	Air Spring	4	61		*3/8"-16 UNC Locknut	8
				62		*5/16" S-Cam U-bolt	4
				63		*5/16" Hardened Washer	16
				64		*5/16"-18 UNC Locknut	8
				65	70867-001	P-80 Lubricant - 10 ml (Not Shown)	per Bushing 1

PRIMAAX 260 • 520 • 780 | FIREMAAX 270 • 540

8½" – 10" Ride Height





KEY NO.	PART NO.	DESCRIPTION	VEHICLE QTY.	KEY NO.	PART NO.	DESCRIPTION	VEHICLE QTY.
1	60821-001	Frame Hanger	4	25	65868-000	Upper Air Spring Frame Bracket for FIREMAAX	4
		QUIK-ALIGN Pivot Bushing Service Kit,				Air Spring Fastener Service Kits, Single	
		Includes Key Nos. 2-7, 61			49177-006	Lower, Includes Key Nos. 26-27	
	60961-720	One Wheel End			49177-023	Upper/Lower, Includes Key Nos. 26-29	
	60632-020	Axle Set		26		*1/2" Flat Washer	12
		QUIK-ALIGN Collar Service Kit, Includes Key Nos. 3-7		27		*1/2"-13 UNC Locknut	12
	60632-019	One Wheel End, <i>Replaces 60632-006</i>		28		*3/4" Flat Washer	4
	60632-021	Axle Set		29		*3/4"-16 UNF Locknut	4
	60632-018	QUIK-ALIGN Fastener Service Kit, One Wheel End,		30	60911-000	Lower Air Spring Mounting Bracket	4
		Includes Key Nos. 5-7, <i>Replaces 60632-005</i>		31 a	59479-003	Air Spring Gusset (if equipped)	2
2		*QUIK-ALIGN Pivot Bushing	4	b	59479-004	Air Spring Gusset (if equipped)	2
3		*QUIK-ALIGN Concentric Collar	4	32		Longitudinal Torque Rod Assembly	4
4		*QUIK-ALIGN Eccentric Collar	4			<i>See Selection Guide on Page 5</i>	
5		*1"-14 UNF-2A x 7 1/2" H-Coat Hex Bolt	4	33	69210-000L	Bushing - Straddle Bar Pin (3/4" Holes)	8
6		*1" H-Coat Flat Washer	8		49176-017	Longitudinal Torque Rod Fastener Kit, Axle Set	
7		*1"-14 UNF-2B H-Coat Locknut	4			Includes Key No. 31-34	
8		Top Pad, <i>See illustration on Page 4</i>	4	34		*3/4"-16 UNF 6" Hex Bolt	8
	65210-001	Meritor Straight Side		35		*3/4"-16 UNF 3 3/4" Hex Bolt	8
	65210-002	Dana Straight Side		36		*3/4" Flat Washer	32
	65210-003	Meritor Transition Side		37		*3/4"-16 UNF Locknut	16
	65210-004	Dana Transition Side		38	49689-000L	Shim	As Req.
		U-bolt Service Kit, One Wheel End		39	72000-XXXS	**ULTRA ROD PLUS Transverse Torque Rod Assembly, Includes Key No. 40, Specify length in mm	2
	48718-120	Includes Key Nos. 9a, 9b, 10-11		40	64400-002L	Bushing - Straddle Bar Pin - 5/8" Holes	4
	48718-118	Includes Key Nos. 9c, 9d, 10-11		41	22186-000	Transverse Torque Rod Frame Bracket	2
9		*3/4" Square U-bolt	8	42	60593-000L	Axle Stop, Frame Mounted	4
a		10", Outboard 10" Ride Height		43		Shock Absorber	4
b		10 1/2", Inboard 10" Ride Height			60665-013L	For vehicles with Drum Brakes only	
c		11 1/2", Outboard 8 1/2" Ride Height			60665-015	For vehicles with Disc Brakes only	
d		12", Inboard 8 1/2" Ride Height		44	67463-002	Upper Shock Frame Bracket, <i>Replaces 65000-002</i>	4
10		*3/4" Flat Washer	16		50754-029	Single Shock Fastener Service Kit,	
11		*3/4"-16 UNF U-bolt Locknut	16			Includes Key Nos. 45-50	
12		Bottom Cap - Front and Rear	4	45		*3/4"-10 UNC x 4 1/4" Upper Shock Bolt	4
		<i>See Selection Guide on Page 4</i>		46		*3/4" Flat Washer	4
13		Axle Spacer, <i>See Selection Guide on Page 4</i>	4	47		*3/4"-10 UNC Locknut	4
14	60961-XXX	U-beam Assembly, Includes Key Nos. 2, 15	2	48		*5/8"-11 UNC x 7" Lower Shock Bolt	4
		<i>(Replaces previous U-beam assembly, support beam and cross tube assembly, see replacement guide on Page 26)</i>		49		*5/8" Flat Washer	8
	34013-114	Single D-pin Bushing Service Kit,		50		*5/8"-11 UNC Locknut	4
		Includes Key Nos. 15-18			58525-019	Height Control Valve Assembly Service Kit,	
15		*D-pin Bushing	4			Includes Key Nos. 51-53	
	56659-010	D-pin Fastener Service Kit, Axle Set		51	57977-000	Height Control Valve Assembly,	2
		Includes Key Nos. 16-18		52	58994-005L	HCV Linkage Assembly,	2
16		*7/8"-14 UNF x 5" Bolt	8	53		*Height Control Valve Linkage Bracket	2
17		*7/8" Flat Washer	16	54	64508-XXX	S-cam Support Bracket	4
18		*7/8"-14 UNF Locknut	8			<i>Locate part number on component</i>	
19		***Support Beam Assembly (66435-XXX, see replacement guide on Page 26)			58821-017	S-cam Fastener Service Kit, Axle Set,	
20		***Cross Tube (60912-XXX, see replacement guide on Page 26)				Includes Key Nos. 55-60	
	46772-001	End Cap and Fastener Kit, Axle Set,		55		*3/8"-16 UNC x 1 1/4" Hex Bolt	8
		Includes Key Nos. 21-23		56		*3/8" Hardened Washer	16
21		*End Cap	4	57		*3/8"-16 UNC Locknut	8
22		*7/8"-9 UNC x 3 1/2" Hex Bolt	4	58		*5/16" S-Cam U-bolt	4
23		*7/8" H-Coat Flat Washer	4	59		*5/16" Hardened Washer	16
		Single Air Spring Service Kit,		60		*5/16"-18 UNC Locknut	8
	60961-118	PRIMAAX, Includes Key Nos. 24a, 26-30		61	70867-001	P-80 Lubricant - 10 ml (Not Shown) per Bushing 1	
	60961-119	FIREMAAX, Includes Key Nos. 24b, 25-30					
24		Air Spring Assembly	4				
a	66255-002	PRIMAAX with Upper Frame Bracket					
b	69153-002	FIREMAAX, Air Spring Only, <i>Replaces 65282-002</i>					



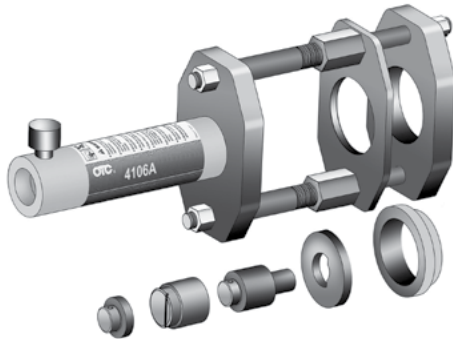
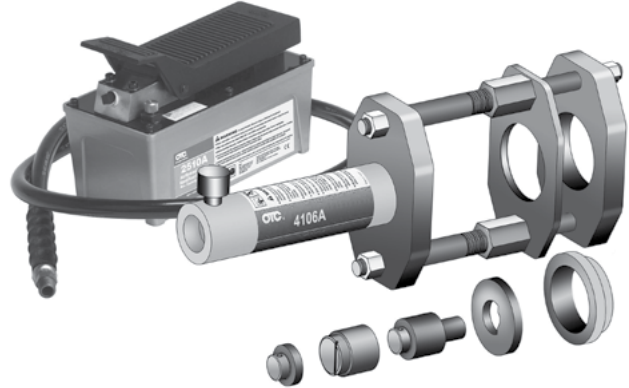
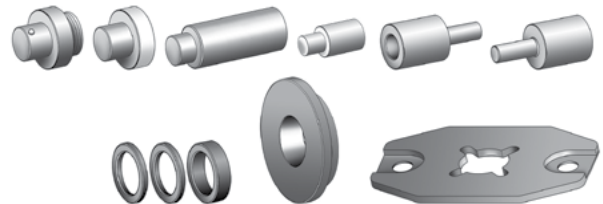
Support Beam and Cross Tube Replacement Guide (Built prior to May 2010)

Pages 20, 22, 24
Key Nos. 14, 19, 20

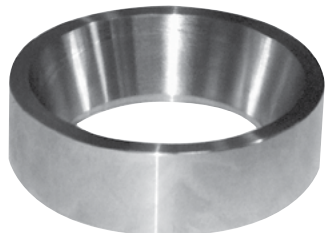
				DISCONTINUED May 2010		NEW	
				Support Beam Assembly Part Number	Cross Tube Part Number	U-beam Assembly Service Kit Number	
				60831-00X • 66435-00X	60912-XXX	60961-XXX	
Vehicle Manufacturer	Ride Height	Drive Axle	Frame Width ⁺	LEFT HAND	RIGHT HAND		
PRIMAAX 230 • 460 • 690 230T • 460T • 690T FIREMAAX 240 • 480 240T • 480T							
Volvo • Mack	8.5"-10.0"	Forward	33.5"	-003	-004	-005	-237
		Rear		-001	-002		-238
Kenworth • Western Star	8.5"-10.0"	Forward	34.0"	-003	-004	-001	-235
		Rear		-001	-002		-236
Freightliner • Sterling • Autocar	8.5"-10.0"	Forward	34.3"	-003	-004	-003	-241
		Rear		-001	-002		-242
Freightliner • Sterling	8.5"-10.0"	Forward	34.5"	-003	-004	-002	-239
		Rear		-001	-002		-240
International	8.5"-10.0"	Forward	34.3"	-003	-004	-003	-261
		Rear		-001	-002		-262
		Forward	34.5"	-003	-004	-002	-263
		Rear		-001	-002		-264
		Forward	34.8"	-003	-004	-009	-243
		Rear		-001	-002		-244
Fire / Rescue (Except Spartan)	8.5"-10.5"	Forward	34.0"	-003	-004	-001	-267
		Rear		-001	-002		-268
IPI • Advance • Oshkosh • Fire / Rescue	12.5"-15.5"	Forward	34.0" <i>Fab Hanger</i>	-003	-004	-001	-247++
		Rear		-001	-002		-248++
PRIMAAX 260 • 520 • 780 FIREMAAX 270 • 540							
Kenworth • Western Star • Fire / Rescue (Except Spartan)	8.5"-10.0"	Forward	34.0"	-007	-008	-001	-253
		Rear		-005	-006		-254
		+++		-001	-002		-001
Freightliner	8.5"-10.0"	Forward	34.3"	-007	-008	-003	-257
		Rear		-005	-006		-258
		Forward	34.5"	-007	-008	-002	-255
		Rear		-005	-006		-256
All 12.5"-15.5" suspensions, including Fire / Rescue	12.5"-15.5"	Forward	34.0"	-003	-004	-001	-269++
		Rear		-001	-002		-270++

NOTE:

- + Contact vehicle manufacturer to verify frame width.
- ++ Upper air spring bracket not included. The original bracket equipped on this vehicle can be used with the new air spring assembly included in the U-beam assembly service kit.
- +++ PRIMAAX 260 single axle only, use with Dana S26-190 axle.

Special Tools**D-PIN / QUIK-ALIGN PIVOT BUSHING SERVICE TOOLS****Hendrickson Part No. 66086-202****OTC Part No. 4246** Visit otctools.com**Hendrickson Part No. 66086-204****OTC Part No. 4247** Visit otctools.com**Hendrickson Part No. 66086-205****OTC Part No. 4254**Visit otctools.com**NOTE:** In conjunction with Hendrickson Part No. 66086-204 (OTC 4247) this additional adapter tool kit is available to purchase to be used on Hendrickson SOFTEK NXT suspension (not needed for this suspension)**QUIK-ALIGN PIVOT BUSHING SERVICE TOOL****Hendrickson Part No. 66086-203L**

Reference Literature No. 59310-061

**QUIK-ALIGN SOCKET TOOL****Hendrickson Part No. 66086-200****OTC Part No. 1767**Visit otctools.com**TORQUE ROD BUSHING FUNNEL TOOL****ULTRA ROD PLUS****Hendrickson Part No. 66086-000L****QUIK-WRENCH TOOL****Hendrickson Part No. 66086-201****OTC Part No. 1768**Visit otctools.com

This is a general parts list to provide directional information. Components may vary by model. Questions in regards to parts, contact Hendrickson Truck Parts at 1.866.755.5968 (Toll-free U.S. and Canada), 1.630.910.2800 (Outside U.S. and Canada) or e-mail: truckparts@hendrickson-intl.com.

www.hendrickson-intl.com



Truck Commercial Vehicle Systems
800 South Frontage Road
Woodridge, IL 60517-4904 USA

1.866.755.5968 (Toll-free U.S. and Canada)
1.630.910.2800 (Outside U.S. and Canada)
Fax 1.630.910.2899