



Primaax EX Freightliner Parts Manual

Pro Gear's Hendrickson Primaax EX Freightliner Parts Manual to assist in identifying your Hendrickson unit.

If you need any assistance identifying the correct transfer case unit for your truck and equipment, contact your Hendrickson replacement part specialists at Pro Gear and Transmission.

Pro Gear Transmission has same day shipping and 1000's of products in stock and ready to ship internationally for your next project.

For parts or service contact the Hendrickson specialists at Pro Gear & Transmission, Inc.

1 (877) 776-4600
(407) 872-1901
parts@eprogear.com

PARTS LIST

PRIMAAX[®] EX Rear Air Suspension for Freightliner • Western Star Vehicles

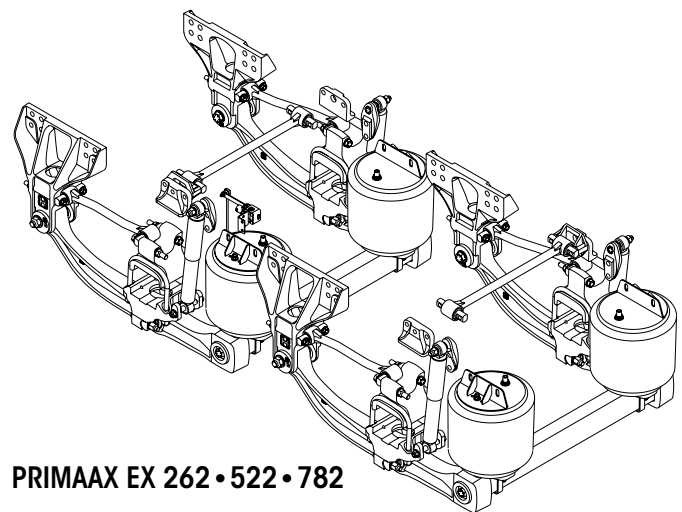
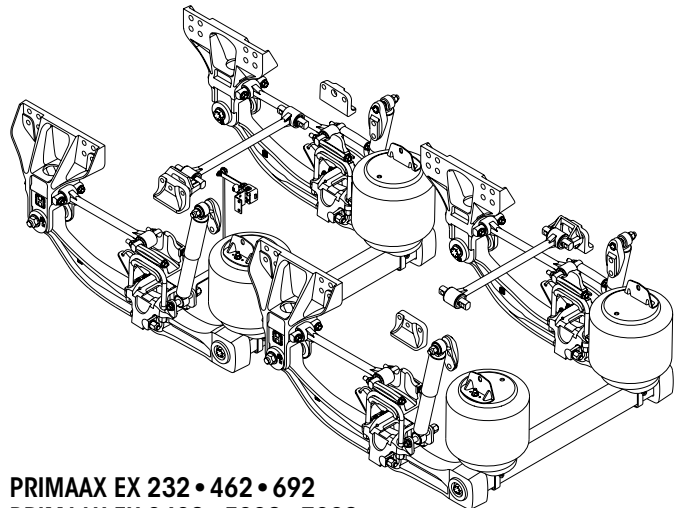
LIT NO: SP-230

DATE: April 2017

REVISION: A

CONTENTS

DESCRIPTION	PAGE
Technical Notes	2
U-beam Assembly Enhancement Aftermarket Service Kit	2
Notes	2
Selection Guides	
■ PRIMAAX EX 232 • 462 • 692 PRIMAAX EX 262S • 522S • 782S	3
■ PRIMAAX EX 262 • 522 • 782	4-5
Severe Service Kits	5
Parts Lists	
■ PRIMAAX EX 232 • 462 • 692	6
■ PRIMAAX EX 262S • 522S • 782S	8
■ PRIMAAX EX 262 • 522 • 782	10
Special Tools	12



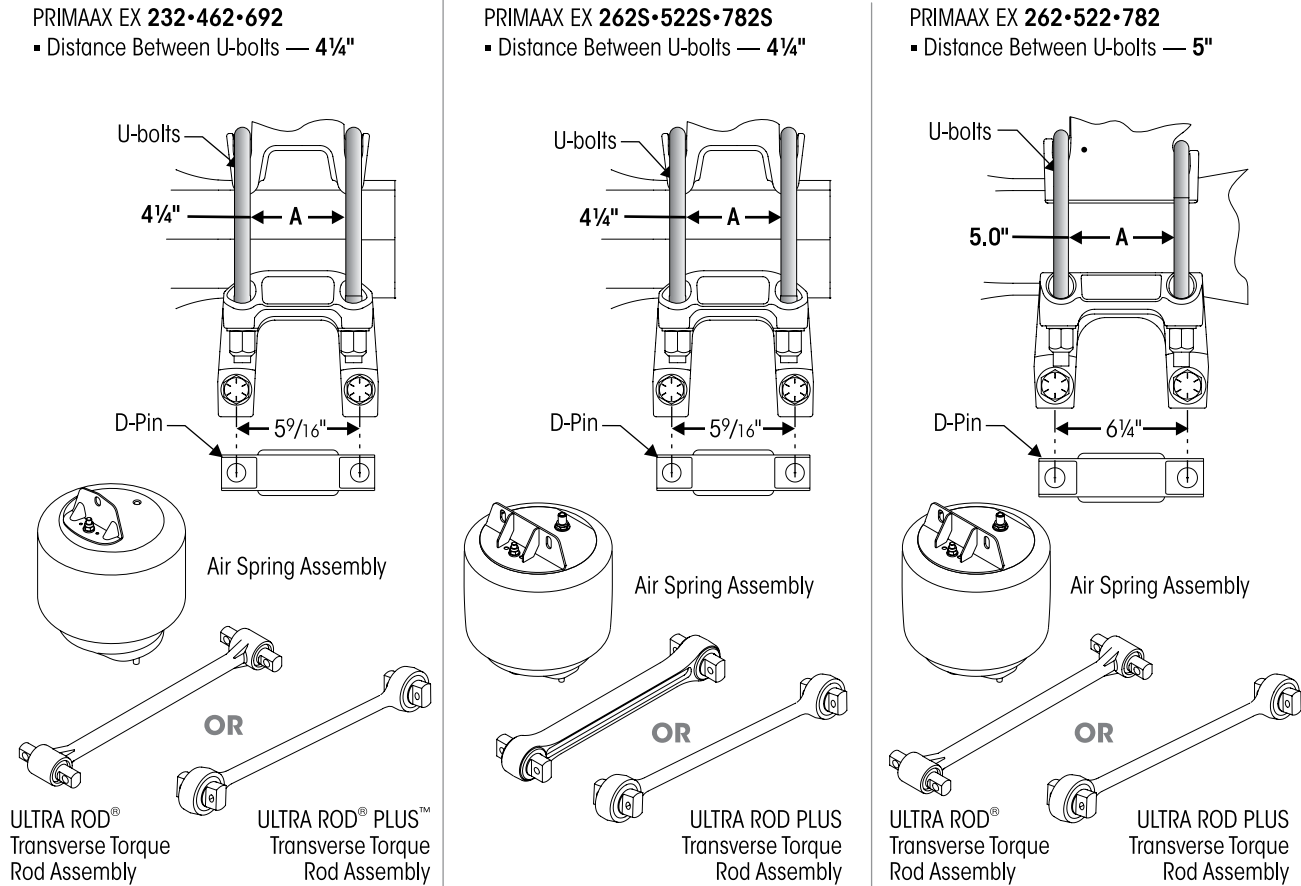


■ Technical Notes

To determine suspension rating/capacity, see Figure 1. Refer to Literature No. SP-164 for FIREMAAX EX, available online at www.hendrickson-intl.com.

FIGURE 1

SUSPENSION RATING / CAPACITY



■ U-beam Assembly Enhancement Aftermarket Service Kit 69565-001, Axle Set

PART NO.	DESCRIPTION	QTY.	COMMENTS
69351-000	Sikaflex 221 Polyurethane Sealant, 300 ml Tube	1	In the event any service to the suspension requiring disassembly of a U-beam assembly equipped with integrated end caps, the Loctite 277, tamper resistant caps and Sikaflex 221 polyurethane sealant must be properly installed to ensure components function to their highest efficiency. The enhancement components can be purchased individually or as an aftermarket service kit.
69570-000	Loctite® 277 - 10 ml Bottle	1	
*	Tamper Resistant Cap	2	
*	7/8"-9 UNC x 3 3/4" Hex Bolt	2	
*	7/8" H-Coat Flat Washer	2	

* Item included in assembly / kit only, part not sold separately.

NOTES Quantities specified are shown for a tandem suspension. Adjust quantities for single or tridem suspensions. Quantities of service kit components may vary from amount shown in lists.

* Item included in kit/assembly only, part not sold separately.

** Transverse Torque Rods are mandatory for the PRIMAAX EX suspensions regardless of axle spacing. See Literature No. 59310-004 for more information.

*** S-cam is not required for disc brakes.

**** Alternate configuration of the QUIK-ALIGN fasteners. The locknuts located inboard will allow additional clearance for wider tires or tires with chains. Tightening is still required **ONLY** on the locknut.

***** As originally equipped by the vehicle manufacturer.



■ Selection Guide

Page 7 & Page 9 PRIMAAX EX 232 • 462 • 692 • 262S • 522S • 782S

<p>Bottom Cap</p> <p>Location of stamped Part No. (last three digits) or see pinion angle chart below</p>	<p>DRUM BRAKE Configuration</p> <p>Longitudinal Torque Rod Top Pad</p>	<p>DISC BRAKE Configuration</p> <p>Longitudinal Torque Rod Top Pad</p>	<p>Torque Rod Spacer</p> <p>Torque Rod Spacer</p>
--	--	--	--

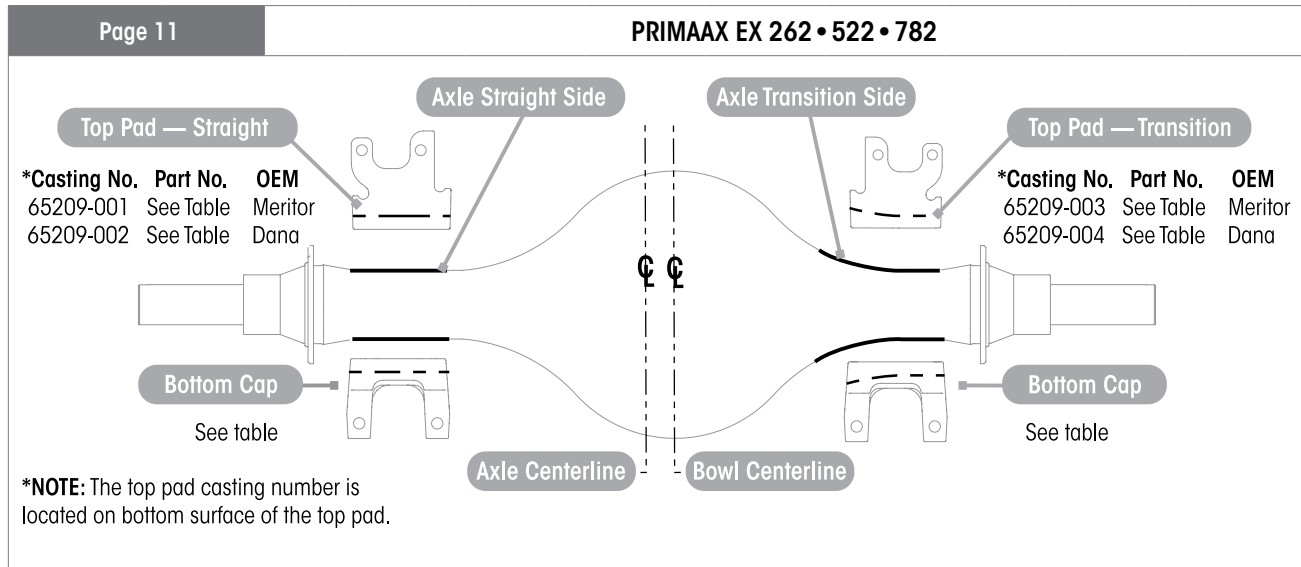
DRUM BRAKES							
Pinion Angle	D-Pin Bolt Length	Bottom Cap	*Longitudinal Torque Rod Assembly	Pinion Angle	D-Pin Bolt Length	Bottom Cap	*Longitudinal Torque Rod Assembly
FRONT				REAR			
1.5°	5"	60556-025	67428-425A (LH) 67428-425B (RH)	6.5°	5½"	60556-065	67430-435A (LH) 67430-435B (RH)
2.5°		60556-025	67428-430A (LH) 67428-430B (RH)	8.0°	4¾"	60556-100	67430-465A (LH) 67430-465B (RH)
3.0°		60556-030	67428-435A (LH) 67428-435B (RH)	8.5°		60556-105	67430-470A (LH) 67430-470B (RH)
3.5°		60556-035		9.5°		60556-105	
5.0°	5½"	60556-050	67428-475A (LH) 67428-475B (RH)	10.0°	5"	60556-100	
				10.5°		60556-105	
				11.0°		60556-110	
				11.5°		60556-115	
				12.0°		60556-120	

AIR DISC BRAKES						
Pinion Angle	D-Pin Bolt Length	Bottom Cap	*Longitudinal Torque Rod Assembly	**Torque Rod Pinion Spacer	Top Pad	
					LEFT	RIGHT
FRONT						
1.5°	5"	60556-525	68801-101	10.5 mm	65289-001	65289-002
3.0°		60556-530		16.5 mm		
3.5°		60556-535		15 mm		
5.0°	5½"	60556-550				
6.5°		60556-565				
REAR						
8.0°	4¾"	60556-600	68801-205	4.5 mm	65289-001	65289-002
8.5°		60556-605		10.5 mm		
9.5°		60556-605		15 mm		
10.0°		60556-600				
10.5°	60556-605	5"				
11.0°	60556-610					
11.5°	60556-615					
12.0°	60556-620					

* Torque rod bushings are non-serviceable, replacement requires complete torque rod assembly with bushings.
 ** Not supplied by Hendrickson, used for reference only. Refer to the vehicle manufacturer for more information.



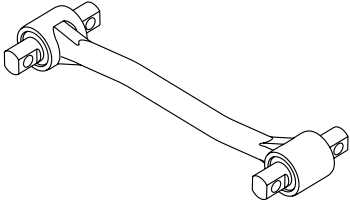
■ Selection Guide



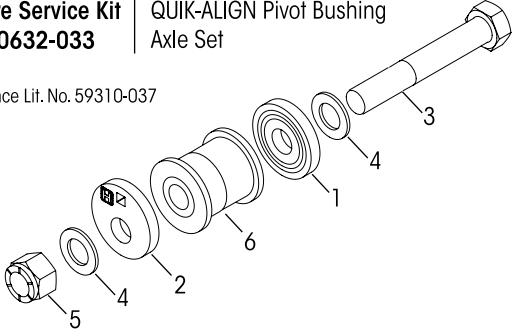
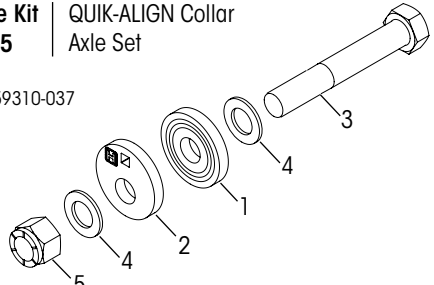
Axle Manufacturer	Beam Spacing	Pinion Angle	Bottom Cap				Top Pad			
			Left Side		Right Side		Left Side		Right Side	
			Straight	Transition	Straight	Transition	Straight	Transition	Straight	Transition
SINGLE AXLE										
Meritor	40	3.0°		65208-005	65208-001			65273-003	65210-001	
		5.0°								
	40.5	3.0°		67913-005						
		5.0°								
TANDEM FRONT • TRIDEM FRONT • TRIDEM MID										
Meritor	40	1.5°	65208-001			65208-006	65210-001			65210-003
	40.3	3.5°								
	40.5	1.5°				67913-006				65273-003
		3.5°								
Dana	40	3.5°	65208-002			65208-008	65210-002			65210-004
	40.5	2.5°				67913-008				65273-004
TANDEM REAR • TRIDEM REAR										
Meritor	40	12.0°	65208-001		65208-003		65210-001	65210-003		
	40.3	11.5°						65273-003		
	40.5	12.0°				67913-009				
11.5°										
Dana	40	11.5°	65208-002	65208-011	65208-004		65210-002	65210-004		
	40.5	10.0°		67913-011				65273-004		



■ Selection Guide

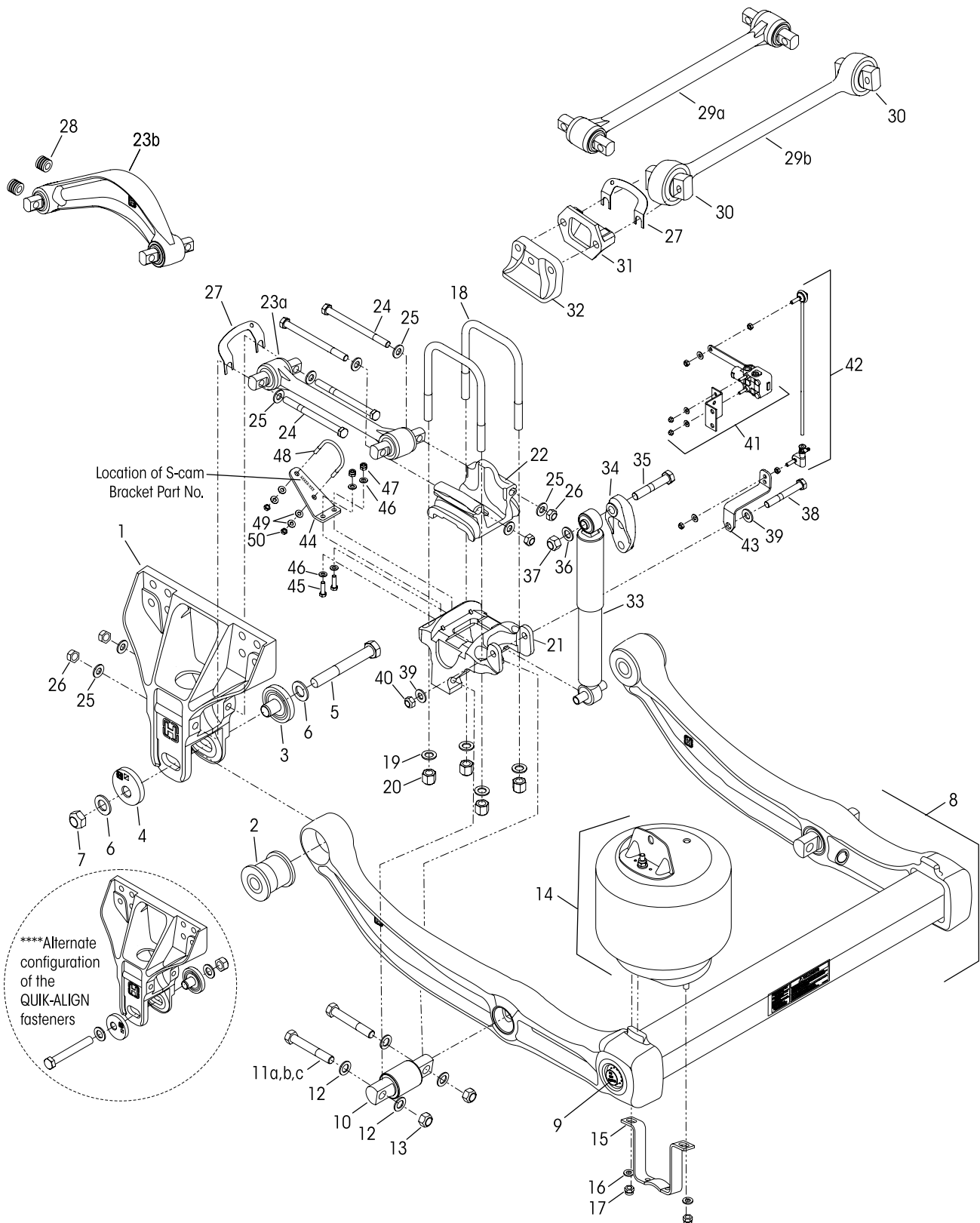
Page 11		PRIMAAX EX 262 • 522 • 782				
	Axle Manufacturer	Beam Spacing	Pinion Angle	Longitudinal Torque Rod		Torque Rod Fastener Kit
				Left Side	Right Side	
SINGLE AXLE						
	Meritor	40	3.0°	65302-470A	65302-470B	49176-032
			5.0°	65302-475A	65302-475B	
	40.5	3.0°	65302-470A	65302-470B		
		5.0°	65302-475A	65302-475B		
TANDEM FRONT • TRIDEM FRONT • TRIDEM MID						
	Meritor	40	1.5°	65302-460A	65302-460B	49176-032
		40.3	3.5°	65302-470A	65302-470B	49176-028
	40.5	1.5°	65302-460A	65302-460B	49176-032	
		3.5°	65302-470A	65302-470B	49176-028	
Dana	40	3.5°	65302-470A	65302-470B	49176-028	
	40.5	2.5°				
TANDEM REAR • TRIDEM REAR						
	Meritor	40	12.0°	65302-525A	65302-525B	49176-032
		40.3	11.5°	65302-520A	65302-520B	49176-028
	40.5	12.0°		65302-525A	65302-525B	49176-032
		Dana	40	11.5°	65302-520A	65302-520B
40.5	10.0°					

■ Severe Service Kits

<p>Severe Service Kit No. 60632-033 QUIK-ALIGN Pivot Bushing Axle Set</p> <p>Reference Lit. No. 59310-037</p> 	<p>PRIMAAX EX – 10" Ride Height</p> <table border="1"> <thead> <tr> <th>KEY NO.</th> <th>CONTENTS</th> <th>QTY.</th> </tr> </thead> <tbody> <tr> <td>1</td> <td>QUIK-ALIGN Concentric Collar</td> <td>2</td> </tr> <tr> <td>2</td> <td>QUIK-ALIGN Eccentric Collar</td> <td>2</td> </tr> <tr> <td>3</td> <td>1 1/4"-12 UNF x 8" Bolt</td> <td>2</td> </tr> <tr> <td>4</td> <td>1 1/4" Hardened Washer</td> <td>4</td> </tr> <tr> <td>5</td> <td>1 1/4"-12 UNF Nylock Nut</td> <td>2</td> </tr> <tr> <td>6</td> <td>QUIK-ALIGN Pivot Bushing</td> <td>2</td> </tr> <tr> <td>7</td> <td>P-80 Bushing Lubricant - 10 ml</td> <td>2</td> </tr> </tbody> </table>	KEY NO.	CONTENTS	QTY.	1	QUIK-ALIGN Concentric Collar	2	2	QUIK-ALIGN Eccentric Collar	2	3	1 1/4"-12 UNF x 8" Bolt	2	4	1 1/4" Hardened Washer	4	5	1 1/4"-12 UNF Nylock Nut	2	6	QUIK-ALIGN Pivot Bushing	2	7	P-80 Bushing Lubricant - 10 ml	2
KEY NO.	CONTENTS	QTY.																							
1	QUIK-ALIGN Concentric Collar	2																							
2	QUIK-ALIGN Eccentric Collar	2																							
3	1 1/4"-12 UNF x 8" Bolt	2																							
4	1 1/4" Hardened Washer	4																							
5	1 1/4"-12 UNF Nylock Nut	2																							
6	QUIK-ALIGN Pivot Bushing	2																							
7	P-80 Bushing Lubricant - 10 ml	2																							
<p>Severe Service Kit No. 60632-015 QUIK-ALIGN Collar Axle Set</p> <p>Reference Lit. No. 59310-037</p> 	<p>PRIMAAX EX – 10" Ride Height</p> <table border="1"> <thead> <tr> <th>KEY NO.</th> <th>CONTENTS</th> <th>QTY.</th> </tr> </thead> <tbody> <tr> <td>1</td> <td>QUIK-ALIGN Concentric Collar</td> <td>2</td> </tr> <tr> <td>2</td> <td>QUIK-ALIGN Eccentric Collar</td> <td>2</td> </tr> <tr> <td>3</td> <td>1 1/4"-12 UNF x 8" Bolt</td> <td>2</td> </tr> <tr> <td>4</td> <td>1 1/4" Hardened Washer</td> <td>4</td> </tr> <tr> <td>5</td> <td>1 1/4"-12 UNF Nylock Nut</td> <td>2</td> </tr> </tbody> </table>	KEY NO.	CONTENTS	QTY.	1	QUIK-ALIGN Concentric Collar	2	2	QUIK-ALIGN Eccentric Collar	2	3	1 1/4"-12 UNF x 8" Bolt	2	4	1 1/4" Hardened Washer	4	5	1 1/4"-12 UNF Nylock Nut	2						
KEY NO.	CONTENTS	QTY.																							
1	QUIK-ALIGN Concentric Collar	2																							
2	QUIK-ALIGN Eccentric Collar	2																							
3	1 1/4"-12 UNF x 8" Bolt	2																							
4	1 1/4" Hardened Washer	4																							
5	1 1/4"-12 UNF Nylock Nut	2																							



PRIMAAX EX 232 • 462 • 692
10" Ride Height

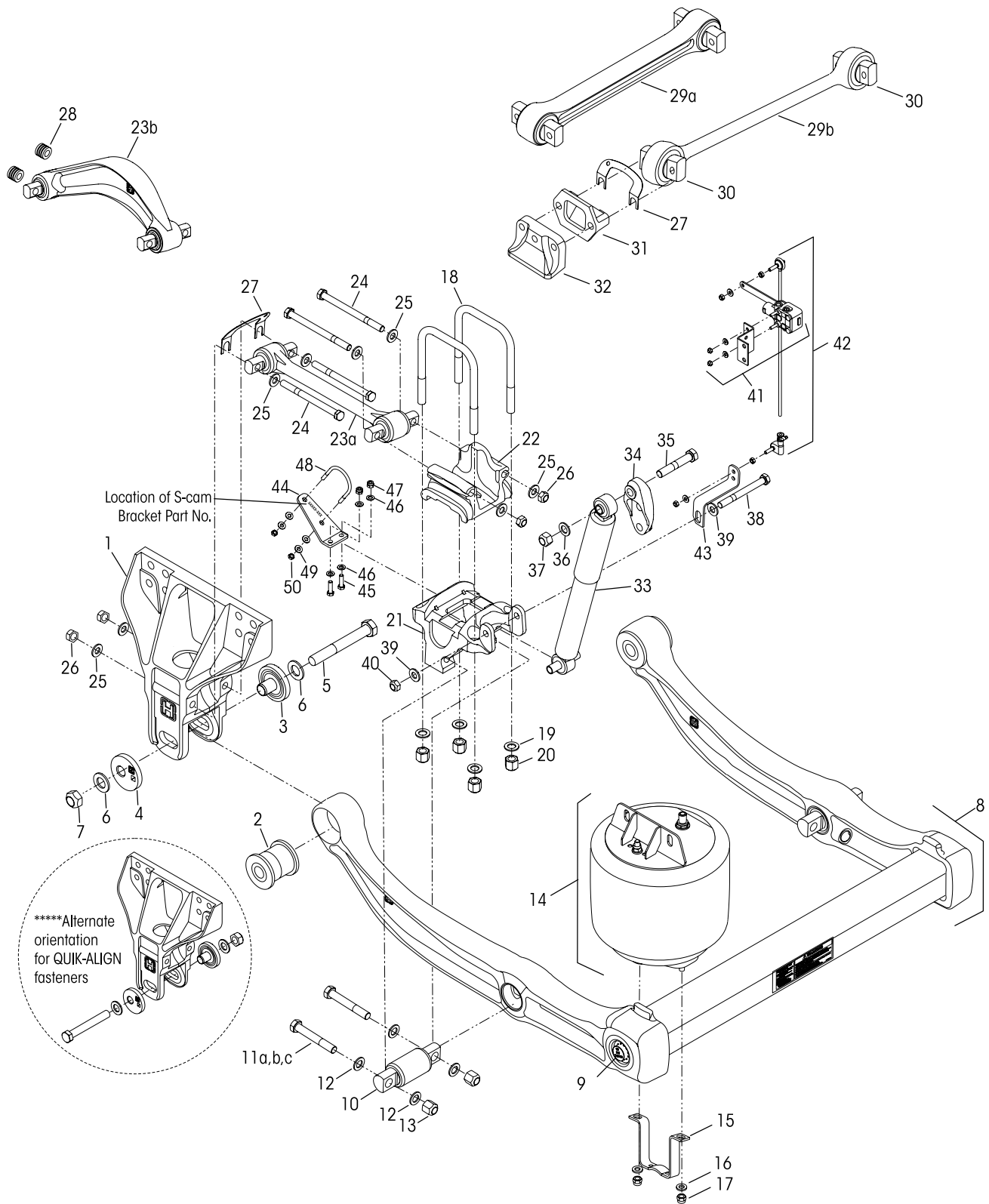




KEY NO.	PART NO.	DESCRIPTION	VEHICLE QTY.	KEY NO.	PART NO.	DESCRIPTION	VEHICLE QTY.
1	67706-000	EX Frame Hanger	4	21		Bottom Cap - Front and Rear (Casting No. 60272-000), <i>See table on Page 3</i>	4
		QUIK-ALIGN Pivot Bushing Service Kit, Includes Key Nos. 2-7, 51		22	65289-000	Top Pad for Drum Brakes Only, <i>See table on Page 3 for Disc Brake</i>	4
	60961-720	One Wheel End		23		Longitudinal Torque Rod, <i>See Selection Guide on Page 3</i>	4
	60632-020	Axle Set		a	67428-XXX	Drum Brakes	
		QUIK-ALIGN Collar Service Kit, Includes Key Nos. 3-7		b	68801-XXX	Disc Brakes	
	60632-019	One Wheel End			49176-032	Longitudinal Torque Rod Fastener Service Kit, One Torque Rod, Includes Key Nos. 24a-26	
	60632-021	Axle Set		24		*5/8"-11 UNC Bolt	16
	60632-018	QUIK-ALIGN Fastener Service Kit, One Wheel End, Includes Key Nos. 5-7		a		8" Length	
2		*QUIK-ALIGN Pivot Bushing	4	b		9" Length	
3		*QUIK-ALIGN Concentric Collar	4	25		*5/8" Flat Washer	32
4		*QUIK-ALIGN Eccentric Collar	4	26		*5/8"-11 UNC Locknut	16
5		*1"-14 UNF x 7 1/2" Hex Bolt	4	27	49689-000L	Shim	As required
6		*1" Flat Washer	8	28		Torque Rod Pinion Spacer, <i>See Selection Guide on Page 3</i>	8
7		*1"-14 UNF Locknut	4	29		**Transverse Torque Rod Assembly, Includes Bushings, Specify length in mm	2
8		U-beam Assembly, Includes Key Nos. 2, 9-10	2	a	67428-XXX	ULTRA ROD with Non-serviceable Bushings	
	67249-004	• Front		b	72000-XXXS	ULTRA ROD PLUS	
	67249-012	34" Frame Width		30		Bushing - Straddle Bar Pin (5/8" Holes)	4
	67249-010	34 5/16" Frame Width		a	64400-002L	ULTRA ROD PLUS	
		• Rear		b	66649-002L	XTRB	
	67249-003	34" Frame Width		31	22186-000	Transverse Torque Rod Frame Bracket	2
	67249-011	34 5/16" Frame Width		32	60593-000L	Axle Stop, Frame Mounted	4
	67249-009	34 1/2" Frame Width		33	60657-003L	Shock Absorber	4
9	69565-001	U-beam Assembly Enhancement Aftermarket Service Kit, Axle Set, <i>See Page 2 for contents</i>		34	67463-002	Upper Shock Frame Bracket	4
		Single D-Pin Bushing Service Kit,			50754-030	Single Shock Fastener Service Kit, Includes Key Nos. 35-40	
	34013-107	Includes Key Nos. 10, 11a, 12-13		35		*3/4"-10 UNC x 4 1/4" Upper Shock Bolt	4
	34013-117	Includes Key Nos. 10, 11b, 12-13		36		*3/4" Flat Washer	4
	34013-201	Includes Key Nos. 10, 11c, 12-13		37		*3/4"-10 UNC Locknut	4
10		*D-Pin Bushing	4	38		*5/8"-11 UNC X 6" Lower Shock Bolt	4
		D-Pin Fastener Service Kit, Axle Set,		39		*5/8" Flat Washer	8
	56659-009	Includes Key Nos. 11a, 12-13		40		*5/8"-11 UNC-2B Locknut	4
	56659-012	Includes Key Nos. 11b, 12-13				Height Control Valve Assembly Service Kit, Includes Key Nos. 41-43	
	56659-014	Includes Key Nos. 11c, 12-13			58525-019	Single	
11		*3/4"-16 UNF Bolt	8		58525-024	Axle Set	
a		Length 5"		41	57977-000	Height Control Valve Assembly	*****
b		Length 4 3/4"		42	58994-005L	HCV Linkage Assembly	*****
c		Length 5 1/4"		43	60921-000	Height Control Valve Linkage Bracket	*****
12		*3/4" Flat Washer	16	44	64508-XXX	***S-cam Support Bracket, <i>See Part No. on component</i>	4
13		*3/4"-16 UNF Locknut	8			58821-017	***S-cam Fastener Service Kit, Axle Set, Includes Key Nos. 45-50
	60961-230	Single Air Spring Service Kit, Includes Key Nos. 14-17		45		*3/8"-16 UNC x 1 1/4" Hex Bolt	8
14	67043-002L	Air Spring Assembly with Upper Frame Bracket	4	46		*3/8" Hardened Washer	16
	49177-006	Lower Air Spring Service Kit, Single, Includes Key Nos. 16-17		47		*3/8"-16 UNC Locknut	8
15	60911-002	Lower Air Spring Mounting Bracket	4	48		*5/16" S-Cam U-bolt	4
16		*1/2" Flat Washer	8	49		*5/16" Hardened Washer	16
17		*1/2"-13 UNC Locknut	8	50		*5/16"-18 UNC Locknut	8
	48718-127	U-bolt Service Kit, One Wheel End, Includes Key Nos. 18-20		51	70867-001	P-80 Lubricant - 10 ml (Not Shown)	Per Bushing 1
18		*3/4" Square U-bolt - Length 8 7/8"	8				
19		*3/4" Flat Washer	16				
20		*3/4"-16 UNF U-bolt Locknut	16				



PRIMAAX EX 262S • 522S • 782S
10" Ride Height

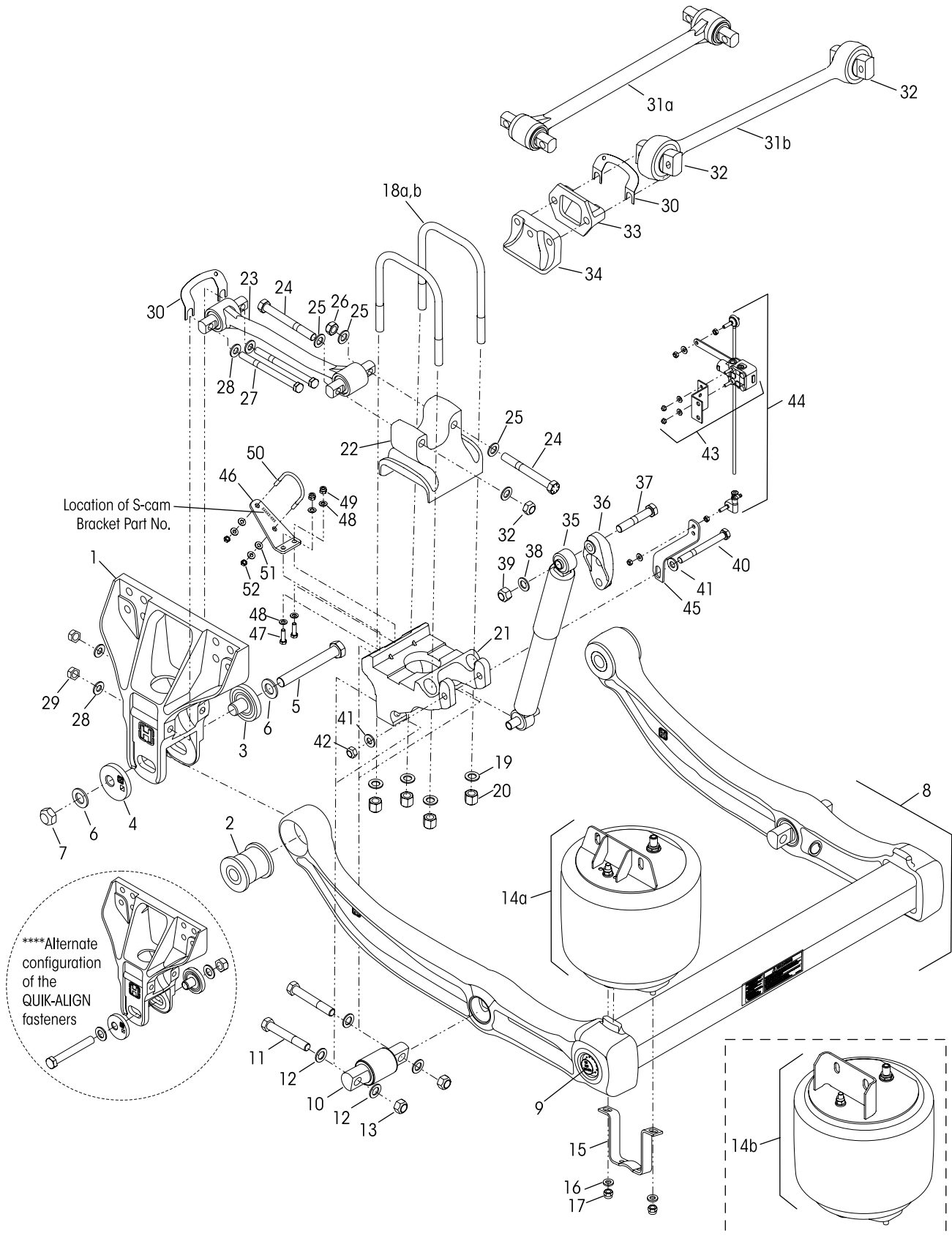




KEY NO.	PART NO.	DESCRIPTION	VEHICLE QTY.	KEY NO.	PART NO.	DESCRIPTION	VEHICLE QTY.
1	67706-000	EX Frame Hanger	4	21	60556-XXX	Bottom Cap, <i>See Selection Guide on Page 3</i>	4
		QUIK-ALIGN Pivot Bushing Service Kit, Includes Key Nos. 2-7, 51		22	65289-000	Top Pad for Drum Brakes Only, <i>See table on Page 3 for Disc Brake</i>	4
	60961-720	One Wheel End		23		Longitudinal Torque Rod Assembly, <i>See Selection Guide on Page 3</i>	1
	60632-020	Axle Set		a	67428-XXX	Drum Brakes	
		QUIK-ALIGN Collar Service Kit, Includes Key Nos. 3-7		b	68801-XXX	Disc Brakes	
	60632-019	One Wheel End			49176-032	Longitudinal Torque Rod Fastener Service Kit, One Torque Rod, Includes Key Nos. 24a-26	
	60632-021	Axle Set		24		*5/8"-11 UNC Bolt	16
	60632-018	QUIK-ALIGN Fastener Service Kit, One Wheel End, Includes Key Nos. 5-7		a		8" Length	
2		*QUIK-ALIGN Pivot Bushing	4	b		9" Length	
3		*QUIK-ALIGN Concentric Collar	4	25		*5/8" Flat Washer	32
4		*QUIK-ALIGN Eccentric Collar	4	26		*5/8"-11 UNC Locknut	16
5		*1"-14 UNF x 7/2" Hex Bolt	4	27	49689-000L	Shim (As Required)	
6		*1" Flat Washer	8	28		Torque Rod Pinion Spacer, <i>See Selection Guide on Page 3</i>	8
7		*1"-14 UNF Locknut	4	29		**ULTRA ROD® PLUS™ Transverse Torque Rod Assembly, Includes Bushing	2
8		U-beam Assembly, Includes Key Nos. 2, 9-10	1	a	72000-560C	Cast Rod	
		• Front		b	72000-565S	Forged Rod	
	67249-004	34" Frame Width		30		Bushing - Straddle Bar Pin (5/8" Holes)	4
	67249-012	34 5/16" Frame Width		a	64400-002L	ULTRA ROD PLUS	
	67249-010	34 1/2" Frame Width		b	66649-002L	XTRB	
		• Rear		31	22186-000	Transverse Torque Rod Frame Bracket	2
	67249-003	34" Frame Width		32	60593-000L	Frame Mounted Axle Stop	4
	67249-011	34 5/16" Frame Width		33	60665-011	Shock Absorber	4
	67249-009	34 1/2" Frame Width		34	67463-002	Upper Shock Frame Bracket	4
9	69565-001	U-beam Assembly Enhancement Aftermarket Service Kit, Axle Set, <i>See Page 2 for contents</i>			50754-029	Single Shock Fastener Service Kit, Includes Key Nos. 35-40	
		Single D-Pin Bushing Service Kit, Includes Key Nos. 10, 11a, 12-13		35		*3/4"-10 UNC x 4 1/4" Upper Shock Bolt	4
	34013-107	Includes Key Nos. 10, 11b, 12-13		36		*3/4" Flat Washer	4
	34013-117	Includes Key Nos. 10, 11c, 12-13		37		*3/4"-10 UNC Locknut	4
	34013-201	Includes Key Nos. 10, 11c, 12-13		38		*5/8"-11 UNC x 7" Lower Shock Bolt	4
10		*D-Pin Bushing	4	39		*5/8" Flat Washer	8
		D-Pin Fastener Service Kit, Axle Set, Includes Key Nos. 11a, 12-13		40		*5/8"-11 UNC Locknut	4
	56659-009	Includes Key Nos. 11b, 12-13				Height Control Valve Assembly Service Kit, Includes Key Nos. 41-43	
	56659-012	Includes Key Nos. 11c, 12-13			58525-019	Single	
	56659-014	Includes Key Nos. 11c, 12-13			58525-024	Axle Set	
11		*3/4"-16 UNF Bolt	8	41	57977-000	Height Control Valve Assembly	2
a		Length 5"		42	58994-005L	HCV Linkage Assembly	2
b		Length 4 3/4"		43	60921-000	Height Control Valve Linkage Bracket	2
c		Length 5 1/4"		44	64508-XXX	***S-cam Support Bracket, <i>See part no. on component</i>	4
12		*3/4" Flat Washer	16		58821-017	***S-cam Fastener Service Kit, Axle Set, Includes Key Nos. 45-50	
13		*3/4"-16 UNF Locknut	8	45		*3/8"-16 UNC x 1 1/4" Hex Bolt	8
	60961-744	Single Air Spring Service Kit, Includes Key Nos. 14-17		46		*3/8" Hardened Washer	16
14	67247-002	Air Spring Assembly with Upper Frame Bracket	4	47		*3/8"-16 UNC Locknut	8
15	60911-002	Lower Air Spring Mounting Bracket	4	48		*5/16" S-Cam U-bolt	4
	49177-006	Lower Air Spring Fastener Service Kit, Single, Includes Key Nos. 16-17		49		*5/16" Hardened Washer	16
16		*1/2" Flat Washer	8	50		*5/16"-18 UNC Locknut	8
17		*1/2"-13 UNC Locknut	8	51	70867-001	P-80 Lubricant - 10 ml (Not Shown)	Per Bushing 1
	48718-127	U-bolt Service Kit, One Wheel End Includes Key Nos. 18-20					
18		*3/4" Square U-bolt - Length 8 7/8"	8				
19		*3/4" Flat Washer	16				
20		*3/4"-16 UNF U-bolt Locknut	16				



PRIMAAX EX 262 • 522 • 782
10" Ride Height





KEY NO.	PART NO.	DESCRIPTION	VEHICLE QTY.	KEY NO.	PART NO.	DESCRIPTION	VEHICLE QTY.
1	67706-000	EX Frame Hanger	4	19		*3/4" Flat Washer	16
		QUIK-ALIGN Pivot Bushing Service Kit,		20		*3/4"-16 UNF U-bolt Locknut	16
	60961-720	Includes Key Nos. 2-7, 53		21		Bottom Cap, <i>See table on Page 4</i>	4
	60632-020	One Wheel End		22		Top Pad, <i>See illustration on Page 4</i>	2
		Axle Set		23		Longitudinal Torque Rod	
		QUIK-ALIGN Collar Service Kit,				<i>See table on Page 5</i>	
	60632-019	Includes Key Nos. 3-7				Longitudinal Torque Rod Fastener Service	
	60632-021	One Wheel End				Kit, Axle Set	
	60632-018	Axle Set		49176-031		Includes Key Nos. 24-29	
		QUIK-ALIGN Fastener Service Kit,		49176-032		Includes Key Nos. 27-29	
		One Wheel End, Includes Key Nos. 5-7		24		*3/4"-16 UNF x 6" Hex Bolt	8
2		*QUIK-ALIGN Pivot Bushing	4	25		*3/4" Flat Washer	16
3		*QUIK-ALIGN Concentric Collar	4	26		*3/4"-16 UNF Locknut	8
4		*QUIK-ALIGN Eccentric Collar	4	27		*5/8"-11 UNF x 8" Hex Bolt	8
5		*1"-14 UNF x 7 1/2" Hex Bolt	4	28		*5/8" Flat Washer	16
6		*1" Flat Washer	8	29		*5/8"-11 UNC Locknut	8
7		*1"-14 UNF Locknut	4	30	49689-000L	Shim (As Required)	
8		U-beam Assembly, Includes Key Nos. 2, 9-10	2	31		**Transverse Torque Rod Assembly,	2
		• Front				Includes Bushings, Specify length in mm	
	67249-006	34" Frame Width		a	67428-XXX	ULTRA ROD with Non-serviceable Bushings	
	67249-014	34 5/16" Frame Width		b	72000-XXXS	ULTRA ROD PLUS	
	67249-016	34 1/2" Frame Width		32		Bushing - Straddle Bar Pin (5/8" Holes)	4
		• Rear		a	64400-002L	ULTRA ROD PLUS	
	67249-005	34" Frame Width		b	66649-002L	XTRB	
	67249-013	34 5/16" Frame Width		33	22186-000	Transverse Torque Rod Frame Bracket	2
	67249-015	34 1/2" Frame Width		34	60593-000L	Axle Stop, Frame Mounted	4
9	69565-001	U-beam Assembly Enhancement Aftermarket		35	60665-013L	Shock Absorber	4
		Service Kit, Axle Set, See Page 2 for contents		36	67463-002	Upper Shock Frame Bracket	4
	34013-114	Single D-Pin Bushing Service Kit,			50754-029	Shock Absorber Fastener Service Kit, Single,	
		Includes Key Nos. 10-13				Includes Key Nos. 37-42	
10		*D-Pin Bushing	4	37		*3/4"-10 UNC x 4 1/4" Upper Shock Bolt	4
	56659-010	D-Pin Fastener Service Kit, Axle Set		38		*3/4" Flat Washer	4
		Includes Key Nos. 11-13		39		*3/4"-10 UNC Locknut	4
11		*7/8"-14 UNF x 5" Bolt	8	40		*5/8"-11 UNC x 7" Lower Shock Bolt	4
12		*7/8" Flat Washer	16	41		*5/8" Flat Washer	8
13		*7/8"-14 UNF Locknut	8	42		*5/8"-11 UNC Locknut	4
		Air Spring Service Kits				Height Control Valve Assembly Service Kit,	
	60961-744	Single, Upper and lower, Includes Key			58525-019	Includes Key Nos. 43-45	
		Nos. 14a, 15-17			58525-024	Single	
	49177-033	Axle Set, Lower, Includes Key Nos. 15-17		43	57977-000	Axle Set	
14		Air Spring Assembly with Upper Frame Bracket	4	44	58994-005L	Height Control Valve Assembly	2
a	67247-002	Standard		45	60921-000	HCV Linkage Assembly	2
b	68056-002	Tridem 78K Only		46	64508-XXX	Height Control Valve Linkage Bracket	2
15	60911-002	Lower Air Spring Mounting Bracket	4			S-cam Support Bracket	4
	49177-006	Lower Air Spring Fasteners Service Kits, Single				<i>See Part No. on component</i>	
		Includes Key Nos. 16-17			58821-017	S-cam Service Kit, Axle Set	
16		*1/2" Flat Washer	4			Includes Key Nos. 47-52	
17		*1/2"-13 UNC Locknut	4	47		*3/8"-16 UNC x 1 1/4" Hex Bolt	8
		U-bolt Service Kit, Includes Key Nos. 18-20		48		*3/8" Hardened Washer	16
	48718-120	One Wheel End		49		*3/8"-16 UNC Locknut	8
	48718-117	Axle Set		50		*5/16" S-Cam U-bolt	4
18		*3/4" Square U-bolt	4	51		*5/16" Hardened Washer	16
a		10", Outboard		52		*5/16"-18 UNC Locknut	8
b		10 1/2", Inboard		53	70867-001	P-80 Lubricant - 10 ml (Not Shown)	Per Bushing 1

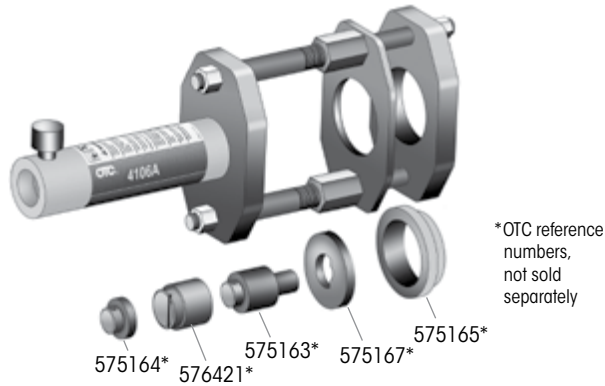


Special Tools

D-PIN / QUIK-ALIGN PIVOT BUSHING SERVICE TOOLS

Hendrickson Part No. 66086-202

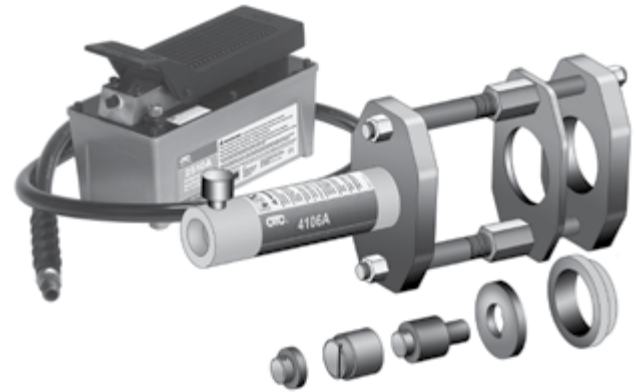
OTC Part No. 4246 Visit otctools.com



*OTC reference numbers, not sold separately

Hendrickson Part No. 66086-204

OTC Part No. 4247 Visit otctools.com



QUIK-ALIGN PIVOT BUSHING SERVICE TOOL

Hendrickson Part No. 66086-203L

Reference Literature No. 59310-061



QUIK-ALIGN SOCKET TOOL

Hendrickson Part No. 66086-200

OTC Part No. 1767

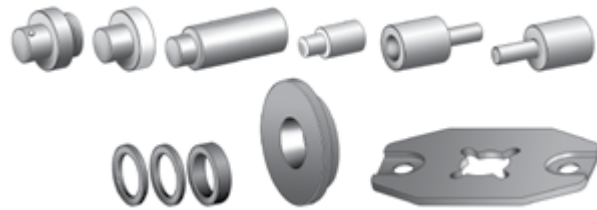
Visit otctools.com

Hendrickson Part No. 66086-205

OTC Part No. 4254

Visit otctools.com

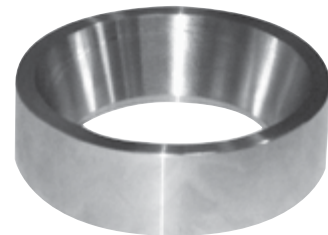
NOTE: In conjunction with Hendrickson Part No. 66086-204 (OTC 4247) this additional adapter tool kit is available to purchase to be used on Hendrickson SOFTEK NXT suspension (not needed for this suspension)



TORQUE ROD BUSHING FUNNEL TOOL

ULTRA ROD PLUS

Hendrickson Part No. 66086-000L



This is a general parts list to provide directional information. Components may vary by model. Questions in regards to parts, contact Hendrickson Truck Parts at 1.866.755.5968 (Toll-free U.S. and Canada), 1.630.910.2800 (Outside U.S. and Canada) or e-mail: truckparts@hendrickson-intl.com.

www.hendrickson-intl.com



Truck Commercial Vehicle Systems
800 South Frontage Road
Woodridge, IL 60517-4904 USA

1.866.755.5968 (Toll-free U.S. and Canada)
1.630.910.2800 (Outside U.S. and Canada)
Fax 1.630.910.2899