



Primaax EX Compositelite SC Mixer Sales Manual

Pro Gear's Hendrickson Primaax EX Compositelite SC Mixer Sales Manual to assist in identifying your Hendrickson unit.

If you need any assistance identifying the correct transfer case unit for your truck and equipment, contact your Hendrickson replacement part specialists at Pro Gear and Transmission.

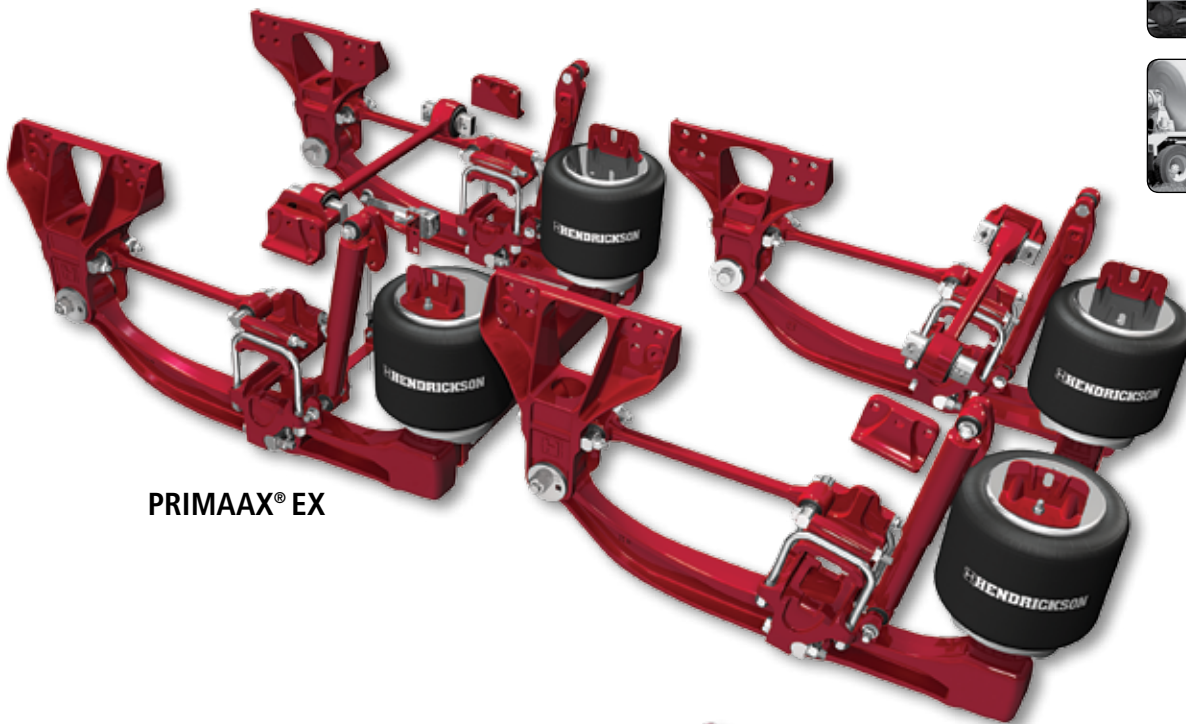
Pro Gear Transmission has same day shipping and 1000's of products in stock and ready to ship internationally for your next project.

For parts or service contact the Hendrickson specialists at Pro Gear & Transmission, Inc.

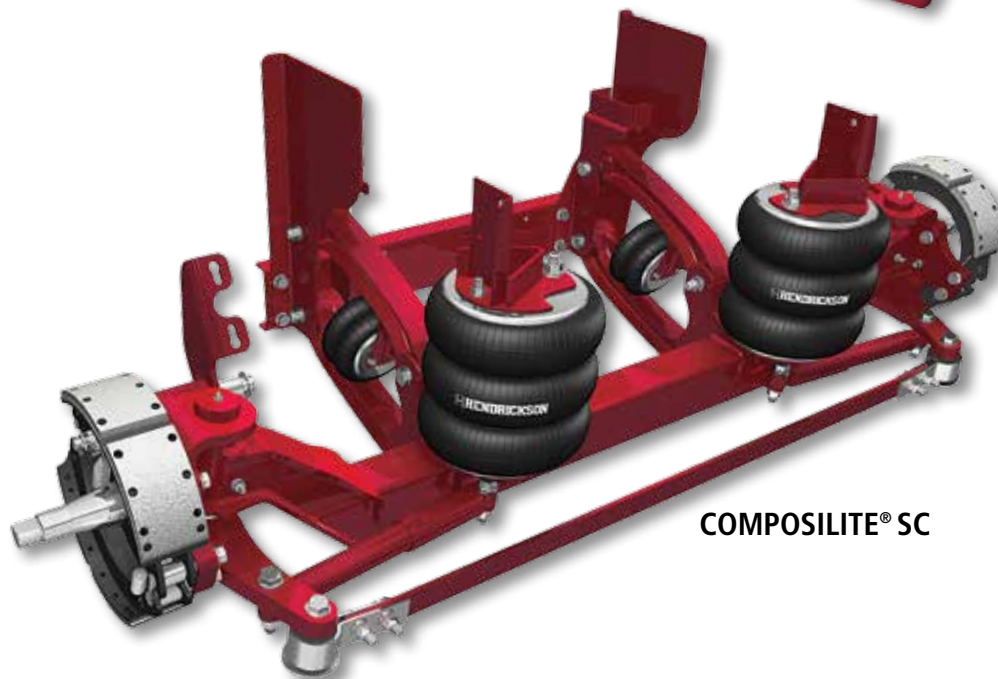
1 (877) 776-4600
(407) 872-1901
parts@eprogear.com

H PRIMAAX[®] EX / COMPOSILITE[®] SC Air Suspension Solutions for Front Discharge Mixers

In a market that requires durable, lightweight suspensions, PRIMAAX[®] EX severe-duty vocational air suspension and COMPOSILITE[®] SC steerable or FX non-steerable lift axles deliver outstanding performance and reliability. Rugged, dependable and extensively tested in challenging applications, PRIMAAX EX and COMPOSILITE SC set a new foundation for suspension technology.



PRIMAAX[®] EX



COMPOSILITE[®] SC

To learn more about PRIMAAX EX
and COMPOSILITE SC, visit
www.hendrickson-intl.com

H HENDRICKSON
The World Rides On Us[®]

PRIMAAX® EX Severe-Duty Vocational Air Suspension

PRIMAAX® EX is a severe-duty vocational air suspension designed to provide uncompromising durability, roll stiffness and vehicle protection in demanding mixer applications. The versatile, weight-efficient system adjusts to variations in load and road conditions for optimal ride and performance. Utilizing a structurally robust design with optimized suspension geometry, PRIMAAX EX delivers greater stability and handling in tight road maneuvers and increased traction for off-road mobility.

Genuine Hendrickson Torque Rods

- Three-rod configuration reduces axle stress, welding and complexity
- Optimized configuration helps improve handling and roll stiffness
- Premium retained rubber bushings for increased service life
- Designed for optimum wheel-end clearance and articulation
- Alternative rods available for disc brake use

Air Springs

- Large volume, low frequency design for improved ride
- Advanced design air springs lift and support the load with less air pressure

Cast Structural Beams

- Utilize premium materials to improve durability more than 350 percent
- Maintenance-free connection with the cross beam for increased uptime
- Integrated end caps for increased reliability
- Robust rubber bushings improve service life and eliminate lubrication requirements
- Designed for increased disc brake clearance and compatibility

QUIK-ALIGN®

- Allows for easy axle alignment without shims
- Reduces maintenance time and helps extend tire life

Axle Connections

- D-pin axle connection decreases torsional axle stress for reduced maintenance and increased joint integrity
- Integrated axle stop contact pads reduce axle stress
- Newly designed torque rod bar-pin connection for increased reliability and reduced maintenance time

Height Control Valve

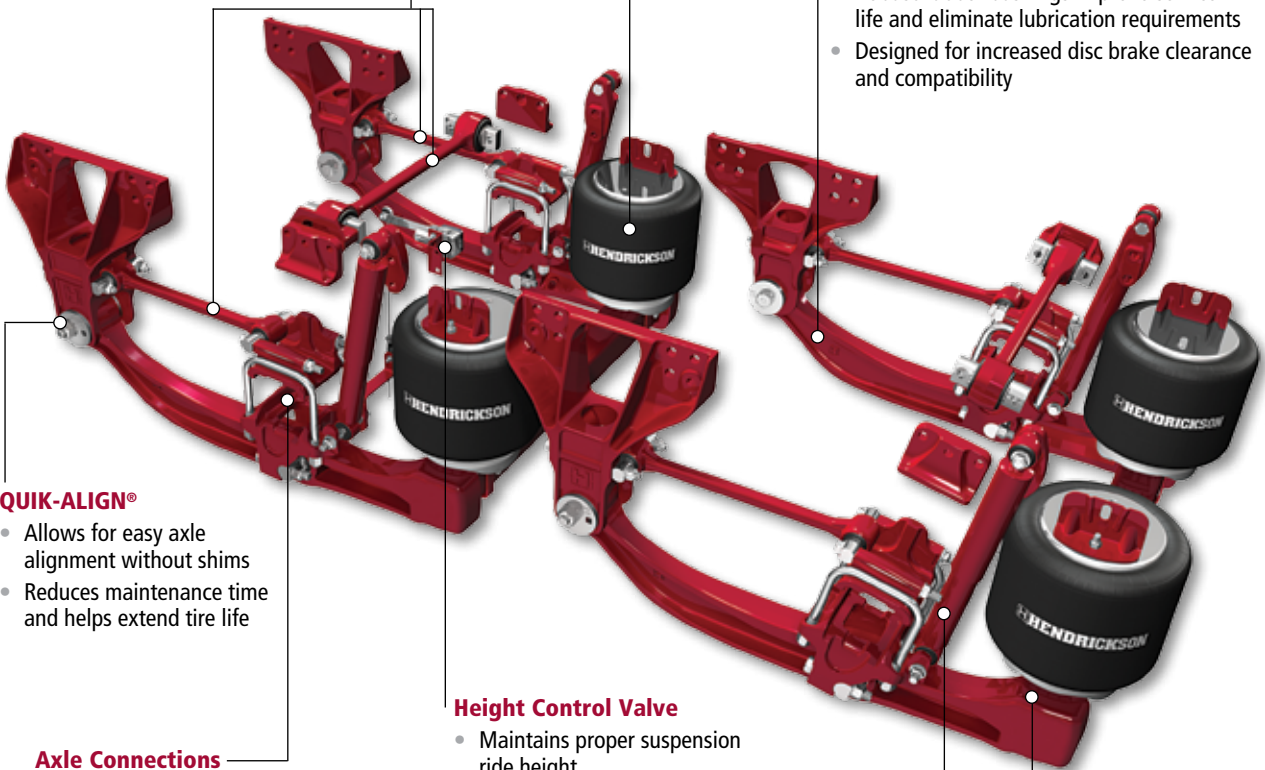
- Maintains proper suspension ride height
- Twin height control valves available for improved leveling (if required)

Heavy-Duty Shock Absorbers

- Positioned and tuned for optimum damping characteristics
- Protect air springs from over-extension

Cross Beams

- Seamless fabrication technology forms a robust torsion system with cast structural beams, improving stability
- Integrated air spring mounts
- Increased ground clearance versus similar air suspensions



H COMPOSILITE® SC Steerable Lift Axle

COMPOSILITE® SC was designed with features to assist both installers and end users alike. During installation, COMPOSILITE SC offers the versatility of a shorter, cleaner lift axle package for front discharge mixer configurations. In the field, end users get the benefits of increased payload due to the COMPOSILITE SC's lightweight design. In addition, the PACE Award winning CTR Compliant Tie Rod provides reduced maintenance, less lubrication, less downtime, less replacement components and with built-in design features geared toward absorbing road undulations and improved maneuverability.

Optimized Package Design

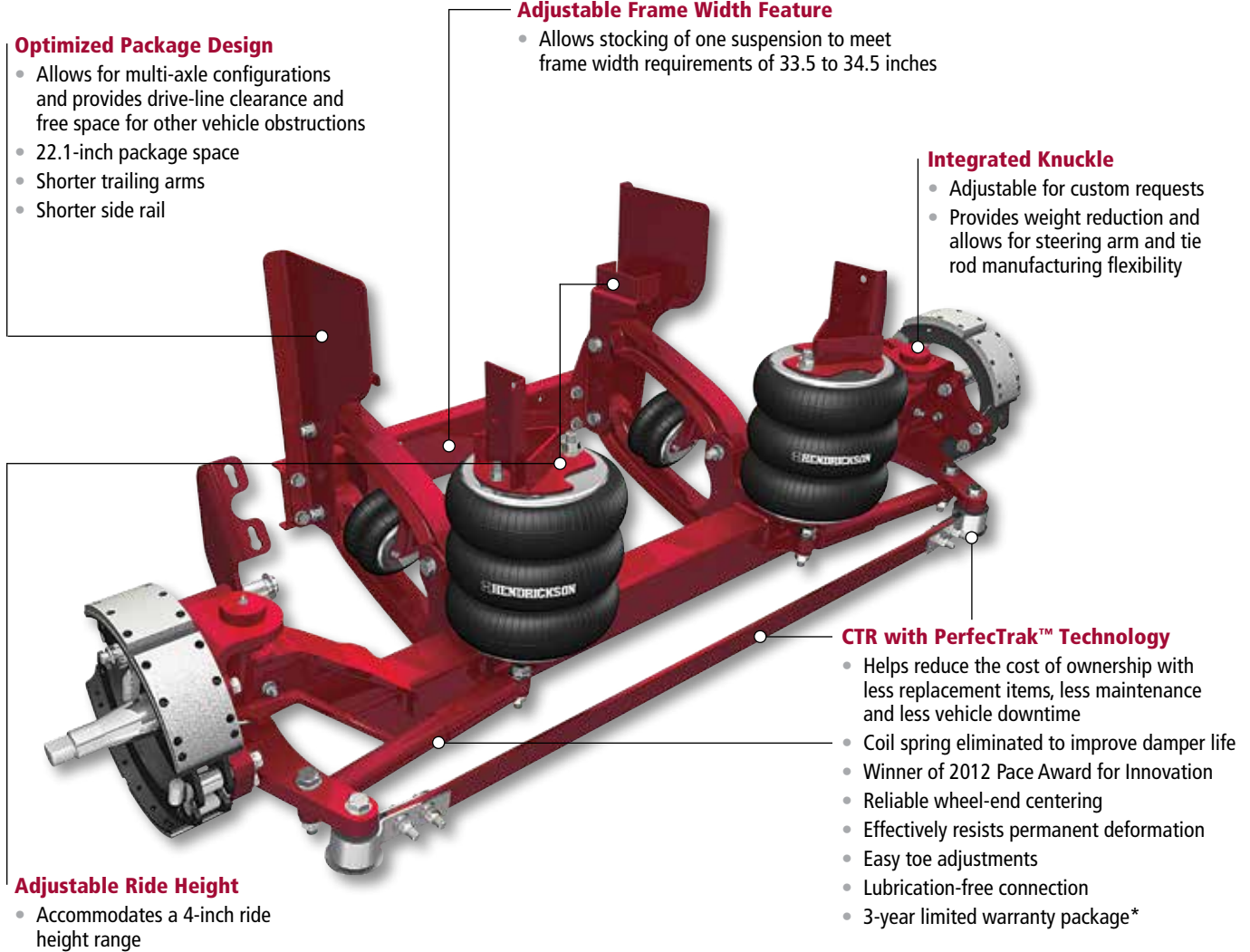
- Allows for multi-axle configurations and provides drive-line clearance and free space for other vehicle obstructions
- 22.1-inch package space
- Shorter trailing arms
- Shorter side rail

Adjustable Frame Width Feature

- Allows stocking of one suspension to meet frame width requirements of 33.5 to 34.5 inches

Integrated Knuckle

- Adjustable for custom requests
- Provides weight reduction and allows for steering arm and tie rod manufacturing flexibility



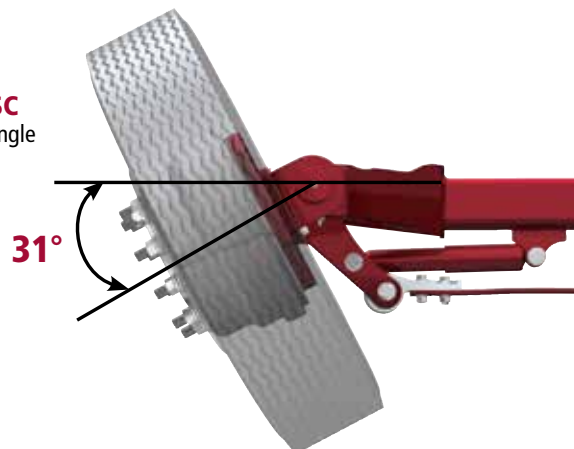
CTR with PerfecTrak™ Technology

- Helps reduce the cost of ownership with less replacement items, less maintenance and less vehicle downtime
- Coil spring eliminated to improve damper life
- Winner of 2012 Pace Award for Innovation
- Reliable wheel-end centering
- Effectively resists permanent deformation
- Easy toe adjustments
- Lubrication-free connection
- 3-year limited warranty package*

Adjustable Ride Height

- Accommodates a 4-inch ride height range

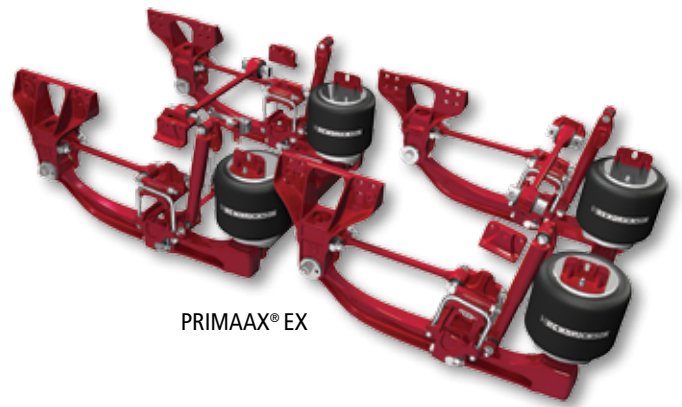
COMPOSILITE SC Steerable Turning Angle



* Contact your local Hendrickson representative for complete warranty terms, conditions and limitations.

PRIMAAX® EX Specifications

	PAX 462	PAX 522
Capacity	46,000 lbs.	52,000 lbs.
Installed Weight ¹	1,078 lbs.	1,292 lbs.
Axle Configuration	Tandem	Tandem
Site Travel Rating ²	60,000 lbs.	66,000 lbs.
Axle Travel ³	8 in.	8 in.
Ground Clearance	10.75 in.	10.5 in.
Lift Axles	Approved	Approved
Ride Heights ⁴	8.5 - 10.5 in. 12.5 - 15.5 in.	8.5 - 10.5 in. 12.5 - 15.5 in.
Engine Torque Restrictions	None	None
Axle Spacing	52 to 72.5 in.	54 to 72.5 in.



PRIMAAX® EX

PRIMAAX EX is approved for vocational and heavy-haul vehicle applications, including front discharge mixers. All applications must comply with applicable Hendrickson specifications and must be approved by the respective vehicle manufacturer with the vehicle in its original, as-built configuration. Contact Hendrickson and the vehicle manufacturer for approval of additional applications.

1. Installed weight includes complete suspension, torque rods, axle and frame brackets and all hardware. Published weight is for standard PRIMAAX EX suspension using 15.5-inch ride height. Other configurations may change weight.
2. Site travel rating — operators using vehicles equipped with liftable push or tag axles must not exceed published ratings. Ratings are limited to no more than five percent of vehicle operation at a speed not to exceed five mph. Liftable or tag axles should be raised (or unloaded) to improve vehicle maneuverability in off-road use or when vehicle is empty. Site travel ratings are consistent with specifications and must not be exceeded.
3. Axle travel may be limited to vehicle manufacturer; axle stop settings and shock stroke may restrict suspension's articulation. Varying ride heights and configurations may restrict travel.
4. Ride heights shown are for PRIMAAX EX Tall configurations. For different ride height options, please contact Hendrickson, your truck manufacturer or dealer for further information.

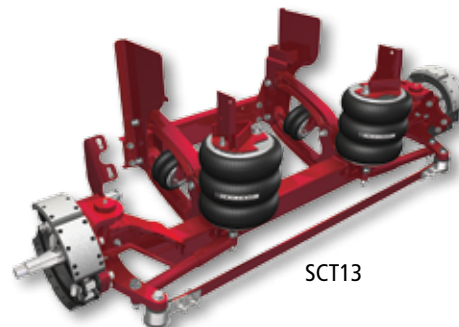
For additional details regarding specifications, applications, capacities, and operating, service and maintenance instructions, refer to applicable Hendrickson technical literature (available at www.hendrickson-intl.com) or contact Hendrickson at 630-910-2800.

COMPOSILITE® SC Specifications

MODEL	MAXIMUM CAPACITY (lbs.)	APPLICATION WEIGHT (lbs.)	RIDE HEIGHTS (inches +/- 1")	TRAVEL (inches)	LIFT (inches)	WHEEL CUT (degrees)	PACKAGING SPACE (inches)
SCT08	8,000	675	12.5 - 20.5	13	10	31	22.1
SCT10	10,000	675	12.5 - 20.5	13	10	31	22.1
SCT13	13,500	796	8.5 - 18.5	13	10	31	22.1
SCT20	20,000	1,340	9.5 - 13.5	12	9	25	26.5
SCH10 - High Lift	10,000	1,133	10.5 - 20.5	Up to 24	Up to 20	27	54



SCH10-High Lift



SCT13

Call Hendrickson at **855.743.3733** or **800.660.2829** for additional information and application specifications.



www.hendrickson-intl.com

TRUCK COMMERCIAL VEHICLE SYSTEMS
800 South Frontage Road
Woodridge, IL 60517-4904 USA
855.RIDERED (743.3733)
630.910.2800 • Fax 630.910.2899

**SPECIALTY PRODUCTS -
AUXILIARY AXLE SYSTEMS**
277 North High Street
Hebron, OH 43025 USA
800.660.2829
740.929.5600 • Fax 740.929.5601

Hendrickson Canada
250 Chrysler Drive, Unit #3
Brampton, ON Canada L6S 6B6
800.668.5360
905.789.1030 • Fax 905.789.1033