



RT-RTE Parts Manual

Pro Gear's Hendrickson RT-RTE Parts Manual to assist in identifying your Hendrickson unit.

If you need any assistance identifying the correct transfer case unit for your truck and equipment, contact your Hendrickson replacement part specialists at Pro Gear and Transmission.

Pro Gear Transmission has same day shipping and 1000's of products in stock and ready to ship internationally for your next project.

For parts or service contact the Hendrickson specialists at Pro Gear & Transmission, Inc.

1 (877) 776-4600
(407) 872-1901
parts@eprogear.com

H PARTS LIST

RT™/ RTE™ Rear Suspension

LIT NO: SP-168

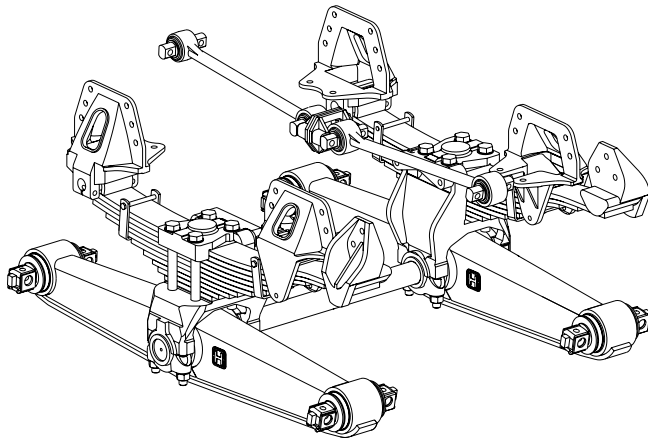
DATE: January 2017

REVISION: F

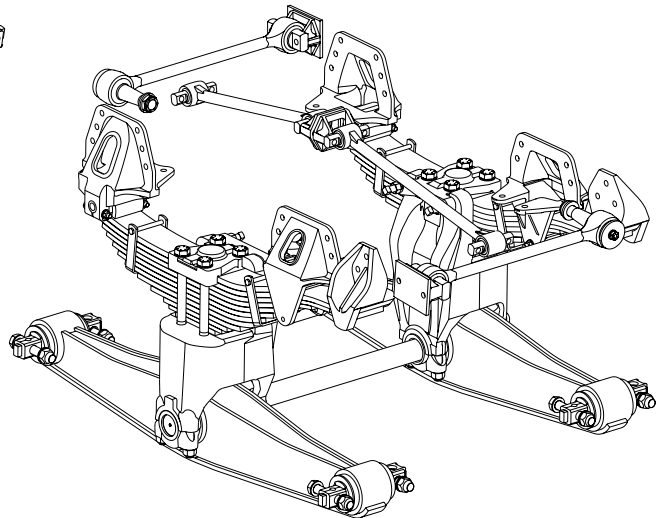
CONTENTS

DESCRIPTION	PAGE	DESCRIPTION	PAGE
Parts Lists		Selection Guides	
▪ RT/RTE 34K • 40K • 46K	2	▪ Cross Tubes	8
▪ RT/RTE 48K • 52K	4	▪ Top Pad Bolts	8
▪ RT 65K • 70K Heavy-duty	6	▪ Corresponding Center Bushing End Plugs for Cross Tube Replacement	8
		Notes	8
		Special Tools	9

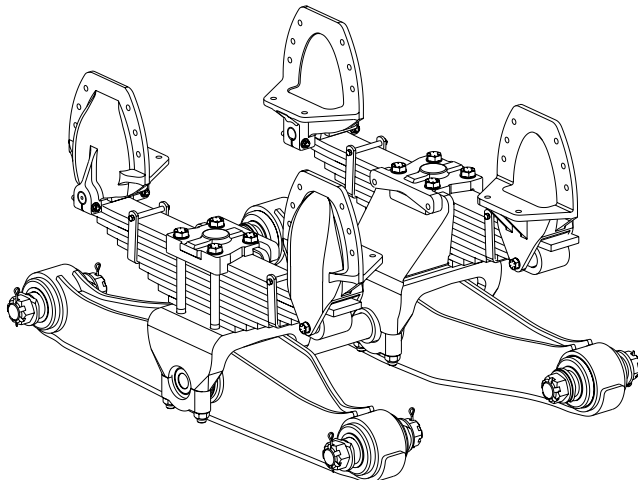
RT/RTE 34K • 40K • 46K

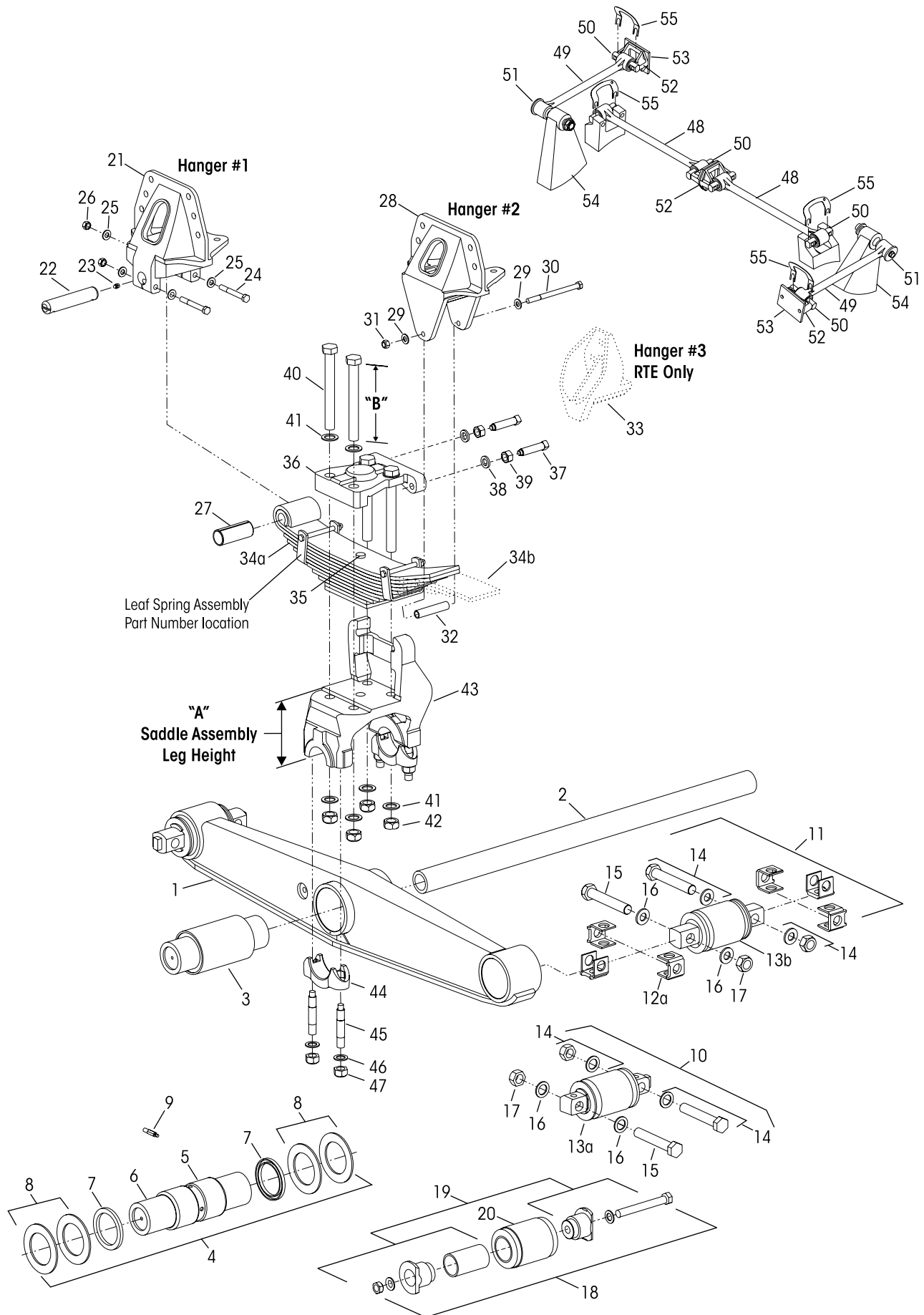


RT/RTE 48K • 52K



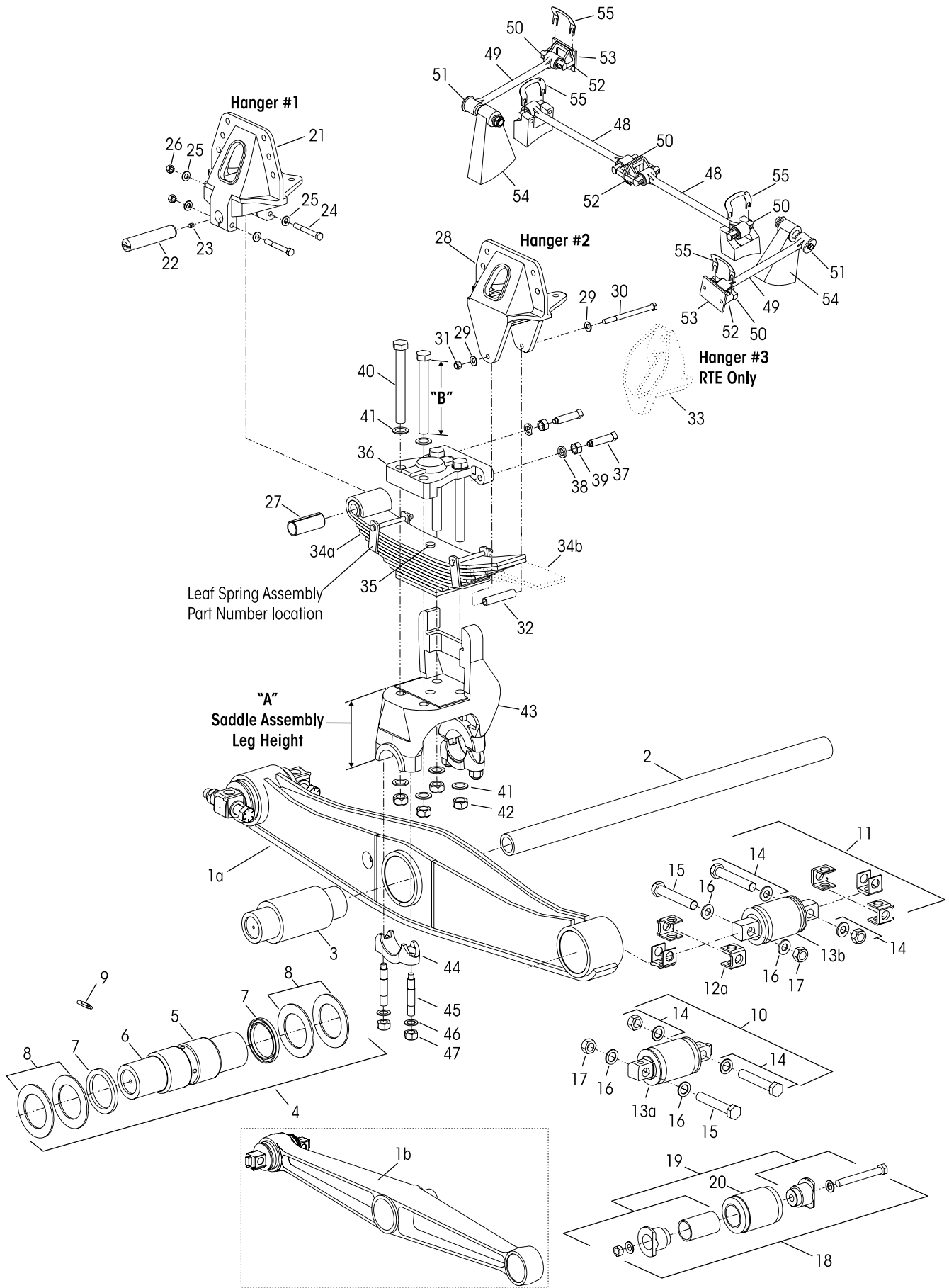
RT 65K • 70K Heavy-duty





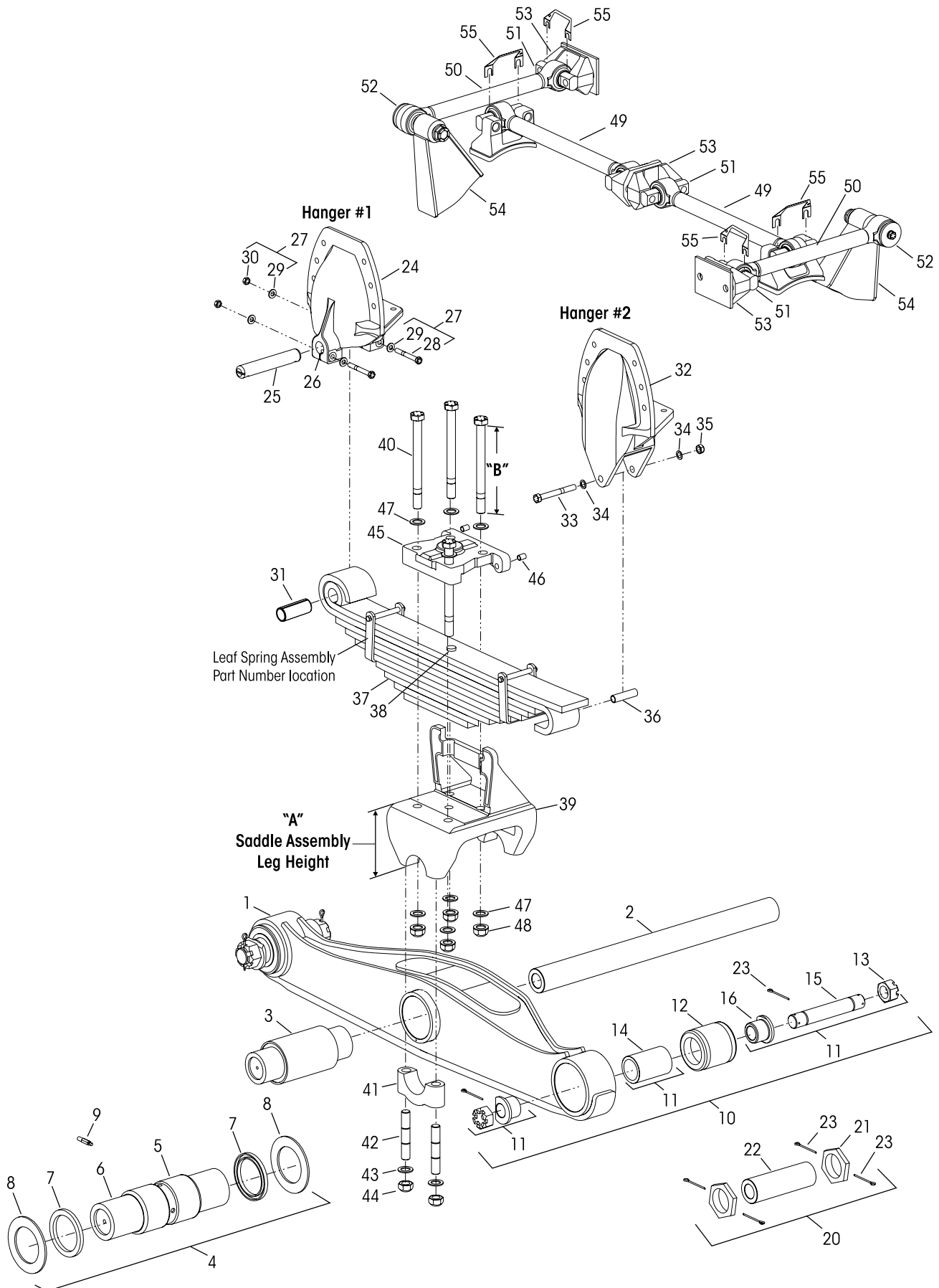


KEY NO.	PART NO.	DESCRIPTION	VEHICLE QTY.	KEY NO.	PART NO.	DESCRIPTION	VEHICLE QTY.
1		Equalizing Beam Assembly <i>See Selection Guide 45745-147</i>	2	32	00194-000	Rebound Bolt Spacer	2
2		Cross Tube, <i>See Selection Guide on Page 8,</i>	1	33		RTE Extended Leaf Spring Hanger #3, <i>See Selection Guide 45745-038</i>	2
	44642-XXX	RT/RTE 34K, 1 ⁵ / ₁₆ " Diameter		34		Spring Assembly	2
	44643-XXX	RT/RTE 34K-46K, 2 ⁷ / ₁₆ " Diameter		a	53383-000	RT 34K Standard Duty, <i>Replaces 58193-000</i>	
3		Rubber Center Bushing, <i>See Center Bushing End Plug Selection Guide on Page 8</i>	2	a	53384-000	RT 34K Light Duty, <i>Replaces 58194-000</i>	
	06664-000L	RT/RTE 34K Welded End Plug		a	45027-000	RT 40K	
	22279-000L	RT/RTE 34K w/Loose End Plug		a	47057-000	RT 46K	
	49400-000L	RT/RTE 34K-40K Welded End Plug		b	53382-000	RTE 34K, <i>Replaces 58192-000</i>	
	49600-000L	RT/RTE 34K-40K w/Loose End Plug		b	45121-000	RTE 40K	
	29483-005L	• Optional for RT 34K-40K, <i>Requires Transverse Rods</i> RT/RTE 46K Welded End Plug		b	45322-000	RTE 46K	
	34013-097L	RT/RTE 46K w/Loose End Plug		35	66662-001	5/8" Center Bolt, Cut to Length, <i>Replaces 05069-000</i>	2
4		Bronze Center Bushing Service Kit, Two Beams Includes Key Nos. 5-9		36	35064-000	Top Pad	2
	30436-000L	RT/RTE 34K			35370-002	Top Pad Set Screw Service Kit, One Set Includes Key Nos. 37-39	
	30437-000L	RT/RTE 34K-46K		37	06813-000	3/4"-10 UNC Square Head Set Screw	4
5	30240-001	Bronze Center Bushing - RT/RTE 34K	2	38	17339-000	3/4" Set Screw Lock Washer	4
	30240-002L	Bronze Center Bushing - RT/RTE 34K-46K	2	39	17342-000	3/4"-10 UNC Set Screw Locknut	4
6	14684-000	Beam Center Sleeve - RT/RTE 34K	2	40	30550-XXX	1"-14 UNS Top Pad Bolt, <i>See chart on Page 8</i>	8
	14685-000L	Beam Center Sleeve - RT/RTE 34K-46K	2	41	22962-006	1" Hardened Washer	16
7	30333-000	Beam Center Seal - RT/RTE 34K	4	42	08017-000	1"-14 UNS Locknut	8
	30334-000	Beam Center Seal - RT/RTE 34K-46K	4	43		Saddle Assembly, <i>See Leg Height-Dim. "A"</i> Includes Key Nos. 44-47	2
8	32364-000	Thrust Washer - RT/RTE 34K	8		31017-023	RT/RTE 34K, 6 ³ / ₁₆ " Height, (Casting No. 46529)	
	32365-000	Thrust Washer - RT/RTE 34K-46K	8		31017-025L	RT/RTE 34K, 7 ³ / ₁₆ " Height (Casting No. 46138)	
9	30087-000	Grease Fitting	As Req. 2		31017-022L	RT/RTE 34K-40K, 6" Height (Casting No. 57167)	
		Bar Pin End Bushing Kit, One Wheel End			31017-109L	RT/RTE 34K-40K, 7 ³ / ₁₆ " Height (Casting No. 57143)	
10	34013-087L	Non-Shim Type, Includes Key Nos. 13a, 14			31017-096L	RT/RTE 46K, 6" Height (Casting No. 57457)	
11	34013-088L	Shim Type, Includes Key Nos. 12a, 13b, 14			31017-110L	RT/RTE 46K, 7 ³ / ₁₆ " Height (Casting No. 57155)	
Not Shown	34013-188L	Rotating Shim Type, Includes Key Nos. 12a, 13c, 14		44	06662-000	Saddle Cap RT/RTE 34K	4
12		Bar Pin Shim	8		58795-000	Saddle Cap RT/RTE 34K-46K	4
a	50131-000	0.25" / 0.12" Standard		45		7/8"-14 UNF Saddle Cap Stud	8
b	50130-000	0.19" / 0.19" Optional			07002-000	RT/RTE 34K	
c	57026-000	0.375" Optional flat shim			06696-000	RT/RTE 34K-46K	
13		**Bar Pin End Bushing	4	46	22962-002	7/8" Hardened Washer	8
a		Non-Shim Type		47	04842-000	7/8"-14 UNF Saddle Cap Nut	8
b		Shim Type		48		***One-piece Longitudinal Torque Rod Assembly, Straddle/Straddle, Specify Length in mm ULTRA ROD®, Includes Key No. 50a	
c		Rotating Bar Pin, Shim Type (Not Shown)			62000-XXX	Front	1
14	34013-104	Bar Pin End Bushing Fastener Kit, One Wheel End, Includes Key Nos. 15-17			62001-XXX	Rear	1
15		**1"-8 UNC x 6" Hex Bolt	8			ULTRA ROD® PLUS™, Includes Key No. 50b	
16		**1" Hardened Washer	16		72000-XXX	Front	1
17		**1"-8 UNC Locknut	8		72001-XXX	Rear	1
18		Rubber End Bushing and Adapter Service Kit, One Wheel End		49		****One-piece Transverse Torque Rod Assembly, Straddle/Taper, Specify Length in mm ULTRA ROD, Includes Key Nos. 50a-51a ULTRA ROD PLUS, Includes Key Nos. 50b-51b XTRB, Includes Key Nos. 50c-51c	2
	34013-049L	RT/RTE 34K-40K, Includes Key Nos. 19a, 20			62350-XXX	Straddle/Taper, Specify Length in mm	
	34013-073L	RT/RTE 46K, Includes Key Nos. 19b, 20			72350-XXX	ULTRA ROD, Includes Key Nos. 50a-51a	
19		Adapter w/o Bushing Service Kit, One Wheel End			92350-XXX	ULTRA ROD PLUS, Includes Key Nos. 50b-51b	
a	45000-007L	RT/RTE 34K-40K				XTRB, Includes Key Nos. 50c-51c	
b	21140-034L	RT/RTE 46K		50		Straddle Bushing	4
20	45900-000L	Rubber End Bushing	4	a	47691-000L	ULTRA ROD	
21		Forward Spring Hanger #1, Double Lock Pin <i>See Selection Guide 45745-038</i>	2	b	64400-002L	ULTRA ROD PLUS	
22	43146-000L	Pin - 1 ³ / ₈ " Diameter Double Lock	2	c	66649-002L	XTRB	
23	33117-000	Lube Fitting	2	51		Taper Bushing	2
	29828-035L	Spring Mounting Service Kit One Hanger, Includes Key Nos. 24-26		a	64697-000L	ULTRA ROD	
	29828-034	Vehicle Set, Includes Key Nos. 22-26, 30, 32		b	64400-004L	ULTRA ROD PLUS	
24	24531-009	1/2"-13 UNC x 4" Bolt	4	c	66649-004L	XTRB	
25	22962-011	1/2" Hardened Washer	8			Two-Piece Torque Rod Assembly with Bushings Service Kit	
26	49846-000	1/2"-13 UNC Locknut	4		60218-000	ULTRA ROD Straddle/Straddle	
27	30057-008L	Spring Eye Bushing, 1 ³ / ₈ " I.D.	2		60215-000	ULTRA ROD Straddle/Taper	
28		Rear Spring Hanger #2, <i>See Selection Guide 45745-038</i>	2		65781-000	ULTRA ROD PLUS Straddle/Taper	
	29828-023	Rebound Bolt & Spacer Kit, One Hanger Includes Key Nos. 29-32			65781-001	XTRB Straddle/Straddle	
29	22962-011	1/2" Hardened Washer	4		65781-002	XTRB Straddle/Taper	
30	24531-005	1/2"-13 UNC x 6 ¹ / ₂ " Bolt	2	52	22186-000	Torque Rod Bracket	4
31	49846-000	1/2"-13 UNC Locknut	2	53	45045-003	Back-up Plate (for Torque Rod)	2
				54		**Transverse Rod Axle Bracket	2
				55	49689-000L	Torque Rod Shim	As Req.
				Not Shown	70867-001	P-80 Lubricant - 10 ml Per Rubber Bushing	1





KEY NO.	PART NO.	DESCRIPTION	VEHICLE QTY.	KEY NO.	PART NO.	DESCRIPTION	VEHICLE QTY.
1		Equalizing Beam Assembly, <i>See Selection Guide 45745-147</i>	2		29828-023	Rebound Bolt & Spacer Service Kit, One Hanger Includes Key Nos. 29-32	
a		Fabricated Beam		29	22962-011	½" Hardened Washer	4
b		Cast Beam		30	24531-005	½"-13 UNC x 6½" Bolt	2
2		Cross Tube - Dia. 27/16", <i>See Selection Guide on Page 8,</i>	1	31	49846-000	½"-13 UNC Locknut	2
	44643-XXX	RT/RTE 48K		32	00194-000	Rebound Bolt Spacer	2
	07622-XXX	RT/RTE 52K		33		RTE Extended Leaf Spring Hanger #3, <i>See Selection Guide 45745-038</i>	2
3		Rubber Center Bushing, <i>Requires Transverse Rods</i> 2 <i>See Center Bushing End Plug Selection Guide on Page 8</i>		34		Spring Assembly	2
	29483-005L	Welded End Plug		a	47057-000	RT 48K-52K	
	34013-097L	Loose End Plug		b	45322-000	RTE 48K	
4	30437-000L	Bronze Center Bushing Service Kit, Two Beams Includes Key Nos. 5-9		35	66662-001	5/8" Center Bolt, Cut to Length, <i>Replaces 05069-000</i>	2
5	30240-002L	Bronze Center Bushing	2	36	35064-000	Top Pad	2
6	14685-000L	Beam Center Sleeve	2		35370-002	Set Screw Service Kit, One Set Includes Key Nos. 37-39	
7	30334-000	Beam Center Seal	4	37	06813-000	¾"-10 UNC Square Head Set Screw	4
8	32365-000	Thrust Washer	8	38	17339-000	¾" Set Screw Lock washer	4
9	30087-000	Grease Fitting	As Req. 2	39	17342-000	¾"-10 UNC Set Screw Locknut	4
		Bar Pin End Bushing Kit, One Wheel End		40	30550-XXX	1"-14 UNS Top Pad Bolt, <i>See chart on Page 8</i>	8
10	34013-087L	Non-Shim Type, Includes Key Nos. 13a, 14		41	22962-006	1" Hardened Washer	16
	34013-088L	Shim Type, Includes Key Nos. 12a, 13b, 14		42	08017-000	1"-14 UNS Locknut	8
Not Shown	34013-188L	Rotating Shim Type, Includes Key Nos. 12a, 13c, 14		43		Saddle Assembly, Specify Leg Height-Dim. "A" Includes Key Nos. 44-47	2
12		Bar Pin Shim	8		31017-053	6" Height, (Casting No. 32796)	
a	50131-000	0.25" / 0.12" Standard			31017-077	7¾" Height, (Casting No. 47476 or 47665)	
b	50130-000	0.19" / 0.19" Optional			31017-108	11" Height, (Casting No. 50965)	
c	57026-000	0.375" Optional flat shim		44	58795-000	Saddle Cap, <i>Replaces 48545-000</i>	4
13		**Bar Pin End Bushing	4	45	06696-000	7/8"-14 UNF Saddle Cap Stud	8
a		Non-Shim Type		46	22962-002	7/8" Saddle Cap Washer	8
b		Shim Type		47	04842-000	7/8"-14 UNF Saddle Cap Nut	8
c		Rotating, Shim Type (Not Shown)		48		***One-piece Longitudinal Torque Rod Assembly, Straddle/Straddle, Specify Length in mm ULTRA ROD, Includes Key No. 50a	
14	34013-104	Bar Pin End Bushing Fastener Kit, One Wheel End , Includes Key Nos. 15-17			62000-XXX	Front	1
15		**1"-8 UNC x 6" Hex Bolt	8		62001-XXX	Rear	1
16		**1" Hardened Washer	16		72000-XXX	Front	1
17		**1"-8 UNC Locknut	8		72001-XXX	Rear	1
18		Rubber End Bushing and Adapter Service Kit, One Wheel End		49		****One-piece Transverse Torque Rod Assembly, Straddle/Taper, Specify Length in mm	2
	34013-050L	5¾" Length, Includes Key Nos. 19a, 20a			62350-XXX	ULTRA ROD, Includes Key Nos. 50a-51a	
	34013-051L	6" Length, Includes Key Nos. 19b, 20b			72350-XXX	ULTRA ROD PLUS, Includes Key Nos. 50b-51b	
19		End Bushing Adapter Service Kit, One Wheel End			92350-XXX	XTRB, Includes Key Nos. 50c-51c	
a	21140-034L	5¾" Length		50		Straddle Bushing	6
b	21140-033L	6" Length		a	47691-000L	ULTRA ROD	
20		Rubber End Bushing	4	b	64400-002L	ULTRA ROD PLUS	
a	29878-001L	5¾" Length		c	66649-002L	XTRB	
b	45407-000L	6" Length		51		Taper Bushing	2
21		Forward Spring Hanger #1, Double Lock Pin <i>See Selection Guide 45745-038</i>	2	a	64697-000L	ULTRA ROD	
22	43146-000L	Pin - 1¾" Diameter Double Lock	2	b	64400-004L	ULTRA ROD PLUS	
23	33117-000	Lube Fitting	2	c	66649-004L	XTRB	
		Spring Mounting Service Kit				Two-Piece Torque Rod Assembly with Bushings Service Kit	
	29828-035L	One Hanger, Includes Key Nos. 24-26			60218-000	ULTRA ROD Straddle/Straddle	
	29828-034	Vehicle Set, Includes Key Nos. 22-26, 30, 32			60215-000	ULTRA ROD Straddle/Taper	
24	24531-009	½"-13 UNC x 4" Bolt	4		65781-000	ULTRA ROD PLUS Straddle/Taper	
25	22962-011	½" Hardened Washer	8		65781-001	XTRB Straddle/Straddle	
26	49846-000	½"-13 UNC Locknut	4		65781-002	XTRB Straddle/Taper	
27	30057-008L	Spring Eye Bushing 1¾" I.D.	2	52	22186-000	Torque Rod Bracket	4
28		Rear Spring Hanger #2, <i>See Selection Guide 45745-038</i>	2	53	45045-003	Back-up Plate (for Torque Rod)	2
				54		*Transverse Rod Axle Bracket	2
				55	49689-000L	Torque Rod Shim	As Req.
				Not Shown	70867-001	P-80 Lubricant - 10 ml Per Rubber Bushing	1





			VEHICLE				VEHICLE
KEY NO.	PART NO.	DESCRIPTION	QTY.	KEY NO.	PART NO.	DESCRIPTION	QTY.
1		Equalizing Beam Assembly <i>See Selection Guide 45745-147</i>	2	27	46825-001	Forward Hanger Spring Mounting Service Kit, One Hanger , Includes Key Nos. 28-30	
2	10397-XXX	Cross Tube, <i>See Selection Guide on Page 8</i>	4	28	24531-009	½"-13 UNC x 4" Bolt	4
3	10366-000L	Rubber Center Bushing	2	29	22962-011	½" Hardened Washer	8
4	45374-000	Bronze Center Bushing Service Kit, Two Beams Includes Key Nos. 5-9	2	30	49846-000	½"-13 UNC Locknut	4
5	30240-005	Bronze Center Bushing	2	31		Spring Eye Bushing	2
6	25102-000	Beam Center Sleeve	2		22285-000	Bronze 1½" I.D.	
7	31577-000	Beam Center Seal	4		50592-000	Steel Bushing 1½" I.D.	
8	45261-000	Thrust Washer	4	32		Rear Spring Hanger #2, <i>See Selection Guide 45745-038</i>	2
9	30087-000	Grease Fitting	As Req. 2		29828-033	Rear Hanger Spring Mounting Service Kit, One Hanger , Includes Key Nos. 33-36	
10		Rubber End Bushing and Adapter Service Kit, Tandem Set		33	21867-023	¾"-16 UNF x 6½" Bolt	2
	60872-010	for 6" Bushing, Includes Key Nos. 12a and 21140-007 Fastener Kit		34	22962-001	¾" Flat Washer	4
	60872-011	for 7" Bushing, Includes Key Nos. 12b, and 21140-004L Fastener Kit		35	30191-000	¾"-16 UNF Locknut	2
		Rubber End Bushing and Adapter Service Kit, One Wheel End		36	02276-000	Rebound Bolt Spacer	2
	34013-052	for 6" Bushing, Includes Key Nos. 12a and 21140-007 Fastener Kit		37		Spring Assembly, Includes Key No. 6	2
	34013-110	for 7" Bushing, Includes Key Nos. 12b, and 21140-004L Fastener Kit			27535-000	Spring Rate 27,300 lb.	
	34013-072	Rubber End Bushing and Tube/Nut Service Kit, One Wheel End , Includes Key Nos. 13 and 21140-006 Fastener Kit			02056-000	Spring Rate 29,400 lb. (Bronze Bushing)	
11		Adapter Fastener Service Kit, One Wheel End , (Bushing not included)			58596-000	Spring Rate 29,400 lb. (Steel Eye Bushing)	
	21140-007	for 6" Bushing includes 13, 15-16, 23			57961-000	Spring Rate 44,400 lb.	
	21140-004L	for 7" Bushing includes 13, 15-16, 18, 23,		38	66662-001	5/8" Center Bolt, Cut to Length, <i>Replaces 05069-000</i>	2
	21140-027	for 6" Bushing includes 13-16, 18, 23		39		Saddle Assembly, Specify Height-Dim. "A" Includes Key Nos. 41-44	2
	21140-031	for 6" Bushing includes 13, 15-16, 19, 23			31017-004	7½" Ht. (Casting No. 15784, 46895 or 48497)	
	21140-052	for 6" Bushing includes 13, 15-16, 18, 23			31017-071	9¾" Ht. (Casting No. 15784 or 46673-001)	
	21140-026	for 7" Bushing includes 13, 15-16, 18, 23			31017-070	10½" Ht. (Casting No. 15784 or 46673-002)	
	21140-043	for 7" Bushing includes 13, 15-18, 23			31017-069	11½" Ht. (Casting No. 15784 or 46673-002)	
12		Rubber End Bushing	4	40	30550-XXX	1"-14 UNS Top Pad Bolt, <i>See chart on Page 8</i>	8
a	10363-000L	6" Length		41	15785-000	Saddle Cap	4
b	10364-000L	7" Length		42	10948-000	1"-14 UNS Saddle Cap Stud	8
13	17491-022	1 7/8" 12 UNF Slotted Nut	8	43	22962-006	1" Hardened Washer	8
14		Adapter Tube	4	44	08017-000	1"-14 UNS Locknut	8
15		Beam End Shaft	4	45	19199-000	Top Pad (Casting No. 35431 or 48491) <i>Replaces 54112-000</i>	2
16		Beam End Adapter	8	46	19201-002	¾"-10 UNC x 1 3/4" Internal Hex Head Set Screw	4
17	46628-000	1 7/8" Hex Nut (Not Shown)	4	47	22962-006	1" Hardened Washer	16
18	45456-000	Thrust Washer (Not Shown)	4	48	08017-000	1"-14 UNS Locknut	8
19	48852-000	Split Adapter (Not Shown)	8	49	72100-XXX	***One-piece Longitudinal Torque Rod Assembly, 2 Straddle/Straddle, Specify Length in mm ULTRA ROD PLUS, Includes Key No. 51a	2
20	21140-006	Threaded Tube/Nut Service Kit, One Wheel End Includes Key Nos. 21-23		50		****One-piece Transverse Torque Rod Assembly, 2 Straddle/Taper, Specify Length in mm ULTRA ROD PLUS, Includes Key Nos. 51a-52a XTRB, Includes Key Nos. 51b-52b	2
21	10371-000	3" - 12 UNF - 2B Nut	8		72850-XXX	ULTRA ROD PLUS, Includes Key Nos. 51a-52a	
22	10372-000	Threaded Tube	4		92950-XXX	XTRB, Includes Key Nos. 51b-52b	
23	17800-010	Cotter Pin	16	51		Straddle Bushing	6
24		Forward Spring Hanger #1, <i>See Selection Guide 45745-038</i>	2	a	64400-003L	ULTRA ROD PLUS	
	29828-032	Spring Mounting Service Kit, One Hanger , Includes Key Nos. 25, 26, 28-30, 33-36		b	66649-003L	XTRB	
25	45797-000L	Pin 1½" Diameter (Double Lock)	2	52		Taper Bushing	2
26	33117-000	Lube Fitting	As Req.	a	64400-006L	ULTRA ROD PLUS	
				b	66649-004L	XTRB	
				53	46015-000	Torque Rod Bracket	4
				54		*Transverse Torque Rod Axle Bracket	2
				55	67779-002	Torque Rod Shim	As Req.
				Not Shown	70867-001	P-80 Lubricant - 10 ml Per Rubber Bushing	1



■ Selection Guide

KEY NO. 2				KEY NO. 40					
RT/RTE CROSS TUBES								TOP PAD BOLTS	
34K		34K • 40K • 46K • 48K		52K		65K • 70K		1" 14 UNS-2A	
Length	Part Number	Length	Part Number	Length	Part Number	Length	Part Number	Length	Part Number
33 ⁷ / ₈ "	44642-020	33 ⁷ / ₈ "	44643-027	46"	07622-003	34 ³ / ₄ "	10397-015	8 ¹ / ₄ "	30550-018
36 ¹ / ₂ "	44642-022	40 ³ / ₄ "	44643-011	53"	07622-018	40"	10397-018	8 ¹ / ₂ "	30550-019
42"	44642-009	42"	44643-008	64"	07622-031	40 ³ / ₄ "	10397-014	8 ³ / ₄ "	30550-001
44 ⁷ / ₈ "	44642-008	44 ⁷ / ₈ "	44643-009	68"	07622-014	41"	10397-019	9"	30550-002
		46"	44643-003			41 ³ / ₄ "	10397-009	9 ¹ / ₄ "	30550-003
		47"	44643-002			42"	10397-001	9 ¹ / ₂ "	30550-004
		48"	44643-001			42 ¹ / ₂ "	10397-021	9 ³ / ₄ "	30550-005
		49 ¹ / ₄ "	44643-024			43 ¹ / ₄ "	10397-017	10"	30550-006
		51"	44643-015			44 ³ / ₄ "	10397-002	10 ¹ / ₄ "	30550-007
		53"	44643-018			46"	10397-010	10 ¹ / ₂ "	30550-008
		54 ¹ / ₂ "	44643-017			46 ¹ / ₂ "	10397-020	10 ³ / ₄ "	30550-009
		57"	44643-010			47 ¹ / ₂ "	10397-027	11"	30550-010
		64"	44643-028			50"	10397-013	11 ¹ / ₄ "	30550-011
		68"	44643-014			51 ¹ / ₄ "	10397-003	11 ¹ / ₂ "	30550-012
		77"	44643-029			52 ³ / ₄ "	10397-006	11 ³ / ₄ "	30550-013
						54"	10397-025	12"	30550-014
						56 ¹ / ₂ "	10397-016	16 ⁵ / ₈ "	30550-028
						61 ¹ / ₄ "	10397-008		
						62 ³ / ₄ "	10397-031		
						67 ¹ / ₂ "	10397-004		
						75 ³ / ₄ "	10397-029		

KEY NO. 3, Pages 3 and 5		
♦Corresponding Center Bushing End Plug for Cross Tube Replacement – 34K through 52K Only		
	Rubber Center Bushing Part Number	◆◆ End Plug Part Number
34K	06664-000L • 22279-000L	22278-000
34K • 40K	49400-000L • 49600-000L	22281-000
34K • 40K • 46K • 48K • 52K	29483-005L • 34013-097L	
◆ Hendrickson recommends for high capacity walking beam suspensions, removal of the equalizing beam to replace the cross tube. Refer to Hendrickson publication 17730-070 for 65K cross tube replacement. ◆◆ End Plugs are not needed if equipped with bronze center bushings.		

NOTES* Not supplied by Hendrickson, used for reference only. Hendrickson is not responsible for components supplied by the vehicle manufacturer. For assistance with maintenance and rebuild instructions on these components see vehicle manufacturer.

** Item included in kit/assembly only, part not sold separately.

*** Hendrickson's part number is stamped on the torque rod for identification. Be sure to include the suffix number when ordering, this number indicates rod length. Hendrickson's two-piece ULTRA ROD • ULTRA ROD PLUS can be used to create the desired length, refer to Hendrickson Lit. No. 45745-148.

**** Transverse torque rods are mandatory for the RT/RTE rear suspension regardless of axle spacing, refer to Hendrickson Literature No. 59310-004 and 59310-058.



■ Special Tools

BAR PIN STYLE END BUSHING TOOLS

INSTALLATION TOOL

Hendrickson Part No. 66086-103

OTC Part No. 1757 [Visit otctools.com](http://www.otctools.com)



Use with the equalizing beam removed from the truck, and in conjunction with OTC No. 51100 press plate and a 100-ton hydraulic shop press.

REMOVAL TOOLS

Hendrickson Part No. 66086-104

OTC Part No. 206457 [Visit otctools.com](http://www.otctools.com)



Hendrickson Part No. 66086-105

OTC Part No. 302030 [Visit otctools.com](http://www.otctools.com)



ADAPTER STYLE END BUSHING TOOL SET • RUBBER CENTER BUSHING



28K-52K lb. Capacity Bushings

Hendrickson Part No. 66086-102

OTC Part No. 1764 [Visit otctools.com](http://www.otctools.com)

Use with the equalizing beam removed from the truck and a 100-ton or larger hydraulic shop press.

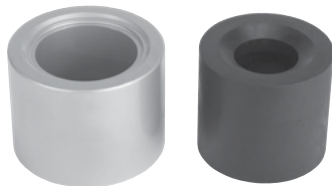


65K-85K lb. Capacity Bushings

Hendrickson Part No. 66086-101

OTC Part No. 1763 [Visit otctools.com](http://www.otctools.com)

RUBBER CENTER BUSHING TOOLS

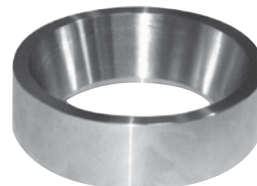


40K lb. Capacity Bushings

Hendrickson Part No. 66086-100

OTC Part No. 1746 [Visit otctools.com](http://www.otctools.com)

TORQUE ROD BUSHING FUNNEL TOOLS



ULTRA ROD – Hendrickson Part No. 66086-001L

ULTRA ROD PLUS – Hendrickson Part No. 66086-000L

This is a general parts list to provide directional information. Components may vary by model. Questions in regards to parts, contact Hendrickson Truck Parts at 1.866.755.5968 (Toll-free U.S. and Canada), 630.910.2800 (Outside U.S. and Canada) or e-mail: truckparts@hendrickson-intl.com.

www.hendrickson-intl.com



Truck Commercial Vehicle Systems
800 South Frontage Road
Woodridge, IL 60517-4904 USA

1.866.755.5968 (Toll-free U.S. and Canada)
630.910.2800 (Outside U.S. and Canada)
Fax 630.910.2899