

Pro Gear's Advance / Terex Transfer Case Parts Manual to assist in identifying your Advance Transfer Case.

If you need any assistance identifying the correct Advance transfer case unit for your truck or equipment, contact your Advance replacement specialists at Pro Gear and Transmission.

Pro Gear stocks every part for your Terex transfer case and has same day shipping and 1000's of products in stock and ready to ship internationally for your next project.

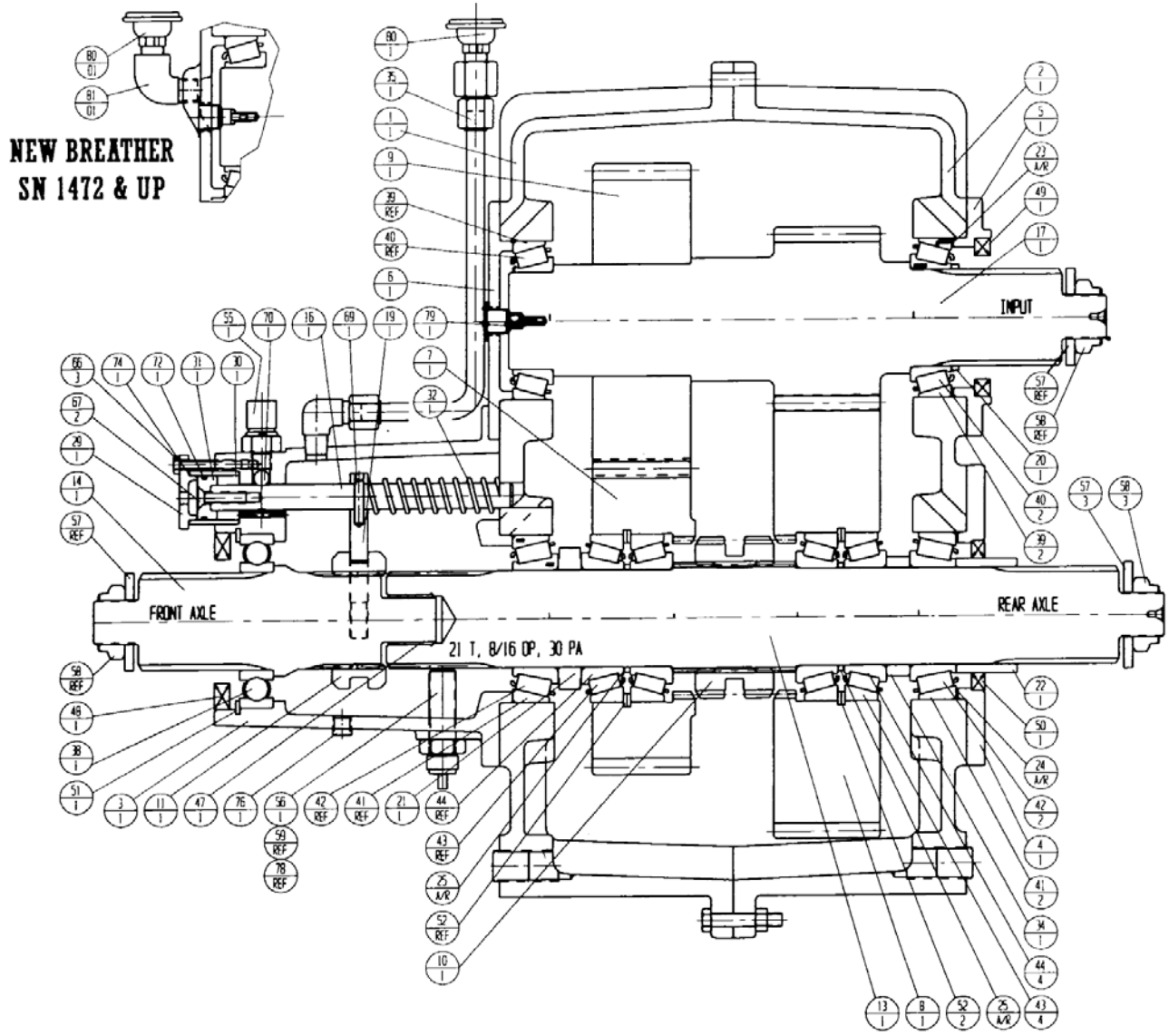
For parts or service contact the Advance specialists at Pro Gear & Transmission, Inc.

1 (877) 776-4600
(407) 872-1901
parts@eprogear.com



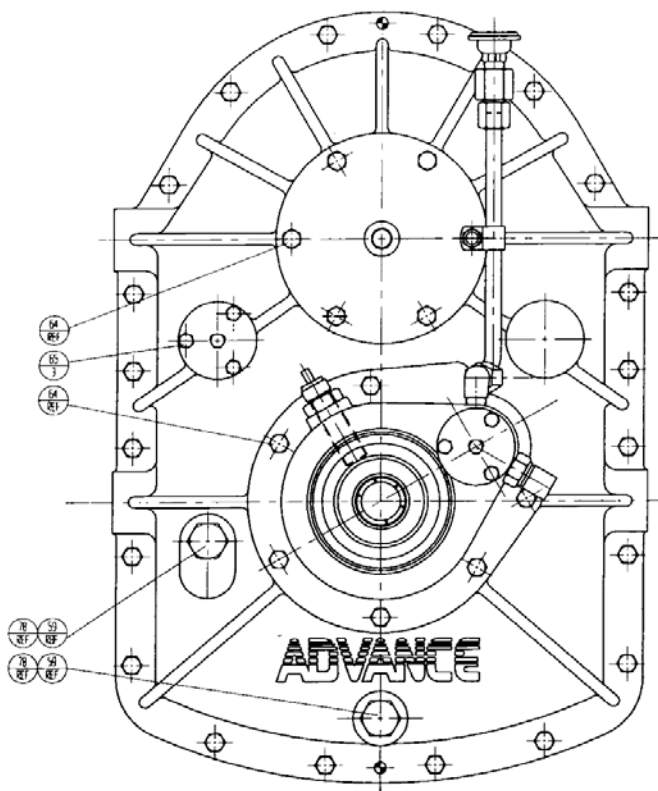
 **TEREX®** 800.433.6691

TRANSFER CASE PARTS

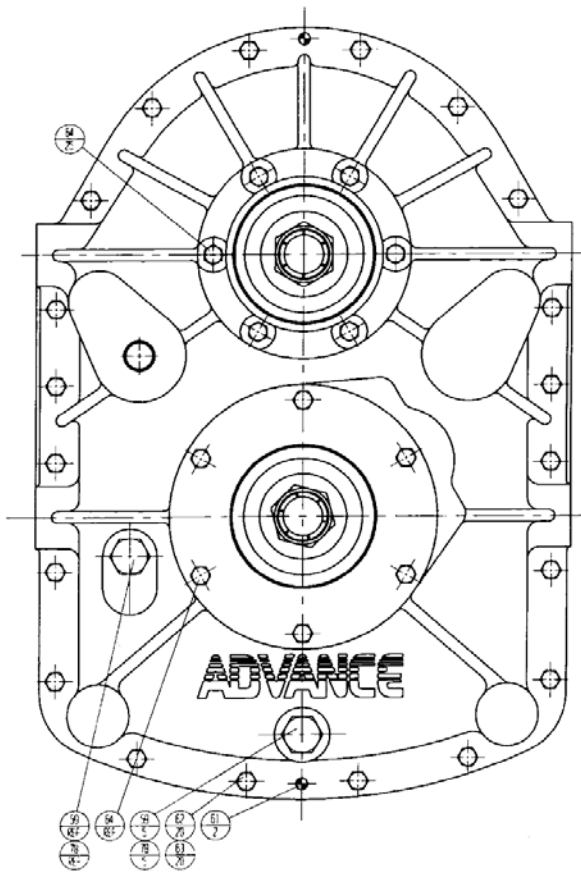


MODEL	DRAWING	HOUSING	RATIO
306R	10384B	ALUMINUM	1.00 : 1 & 2.52 : 1
306C	10384C	ALUMINUM	86 : 1 & 2.52 : 1
306D	10441	65-45-12 DUCTILE	1.00 : 1 & 2.52 : 1

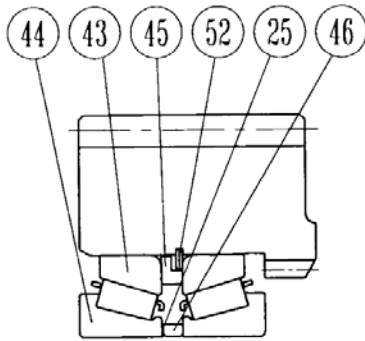
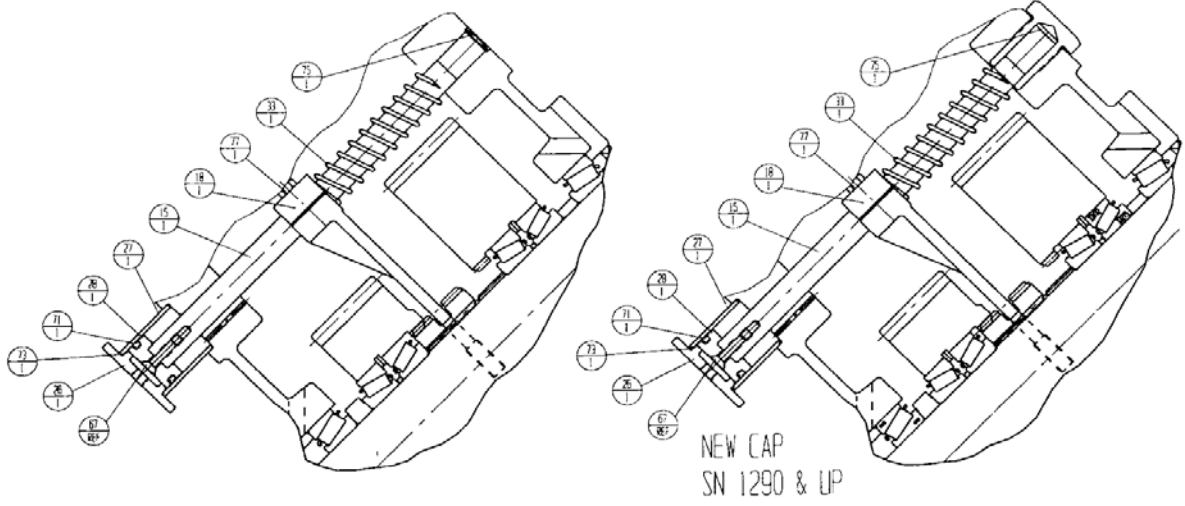
VIEW TO FRONT AXLE



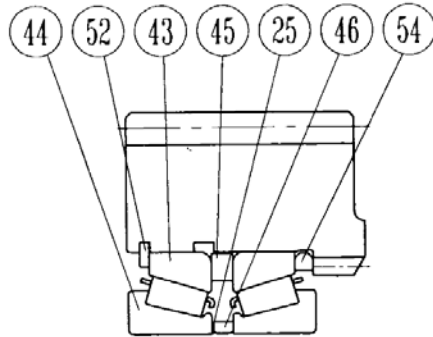
VIEW TO REAR AXLE



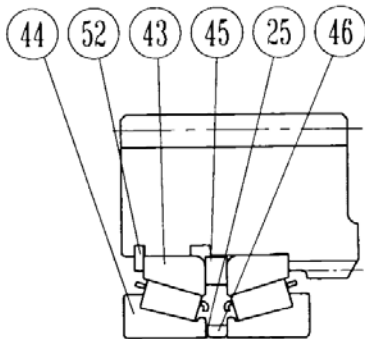
VIEW OF SHIFTER ASSEMBLY



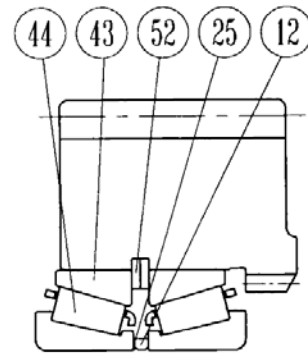
SN 101 - 416



SN 417 - 700



SN 701 - 999



SN 1000 & UP

PART NUMBER	ITEM	PART NAME	USAGE	COMMENTS
12906	-	SEAL KIT	306 all	
27920	-	GEAR & SHAFT ASSY 306-308 & 306-45-1	306B	
306-S2	-	GEAR & SHAFT ASSY 306-30-10 & 306-45-1	306C	
306-S3	-	GEAR & SHAFT ASSY 306-30-4 & 306-45-1	306 306B sn 1700-1899	
306-S4	-	GEAR & SHAFT ASSY 306-30-6 & 306-45-1	306A 306C sn 1700-1899	
23588	1	HOUSING HALF-FRONT	306 all	
306-20-1	4	OUTPUT BRG RETAINER	306 all	
29296	5	INPUT BRG RETAINER	306 all	
20321	6	INPUT BRG RET.-BLANK	306 all thru sn 1471	
20321	6	INPUT BRG RET.-TAPPED	306 all sn 1472 & up	
306-30-1	7	CLUTCH GEAR - HI - 5P	306	SERVICE WITH 306-30-11 & NEW BEARINGS 33275 & 33475
306-30-5	7	CLUTCH GEAR - HI - 5P	306A	SERVICE WITH 306-30-15 & NEW BEARINGS 33275 & 33475
306-30-7	7	CLUTCH GEAR - HI - 6P	306	SERVICE WITH 306-30-17 & NEW BEARINGS 33275 & 33475
306-30-9	7	CLUTCH GEAR - HI - 6P	306A	SERVICE WITH 306-30-19 & NEW BEARINGS 33275 & 33475
306-30-11	7	CLUTCH GEAR - HI - 5P	306	
306-30-15	7	CLUTCH GEAR - HI - 5P	306A	
306-30-17	7	CLUTCH GEAR - HI - 6P	306B	
306-30-19	7	CLUTCH GEAR - HI - 6P	306C	
306-30-2	8	CLUTCH GEAR - LOW - 5P	306/306A	
20342	8	CLUTCH GEAR - LOW - 5P	306B/306C	
306-30-4	9	INPUT GEAR - HI - 5P	306	NSS - SEE 306-S3
306-30-6	9	INPUT GEAR - HI - 5P	306A	NSS - SEE 306-S4
306-30-8	9	INPUT GEAR - HI - 6P	306B	NSS - SEE 306-S1
306-30-10	9	INPUT GEAR - HI - 6P	306C	NSS - SEE 306-S2
20324	10	SHIFT COLLAR	306 all	
306-35-2	11	DISCONNECT COLLAR	306 all	
27921	12	BRG SPER - CLUTCH GRS	306 all sn 1000 & up	
20341	13	OUTPUT SHAFT	306 all	
22366	14	DISCONNECT SHAFT	306 all	
21051	15	SHIFT SHAFT - HI/LOW	306 all	
306-40-5	16	SHIFT SHAFT - DISC	306 all	
306-45-1	17	INPUT SHAFT & PINION	306 all	NSS - SEE 306-S1 — 306-S4
21051	18	SHIFT FORK ASSY - HI/LOW	306 all	
306-50-2	19	SHIFT FORK ASSY - DISC	306 all	
20356	20	INPUT YOKE SPACER	306 all	
20355	21	OUTPUT SPACER	306-306A	
24248	21	OUTPUT SPACER	306B/306C	
20343	22	SEAL SLEEVE	306 all	
20344	23	SHIM - .005	306 all	

TEREX® 800.433.6691



TRANSFER CASE PARTS

800.433.6691**TRANSFER CASE PARTS**

PART NUMBER	ITEM	PART NAME	USAGE	COMMENTS
20345	23	SHIM - .007	306 all	
20346	23	SHIM - .020	306 all	
20347	24	SHIM - .005	306 all	
20348	24	SHIM - .007	306 all	
20349	24	SHIM - .020	306 all	
20326	25	BRG SHIM - .003	306 all	
20327	25	BRG SHIM - .005	306 all	
19192	25	BRG SHIM - .007	306 all	
18190	25	BRG SHIM - .020	306 all	
18191	26	AIR INLET CAP - SHIFT	306 all	
20350	27	SHIFT CYLINDER	306 all	
20351	28	SHIFT PISTON	306 all	
20354	29	AIR INLET CAP - DISC	306 all	
20353	30	DISC CYLINDER	306 all	
306-85-6	31	DISC PISTON	306 all	
18088	32	DISC RETURN SPRING	306 all	
18087	33	SHIFT RETURN SPRING	306 all	
29450	34	OUTPUT SPACER	306B/306C	
19392	35	BREATHER ASSY	306 all thru sn 1471	
12277	38	BALL BRG - DISC	306 all	
15824	39	BRG CUP - INPUT SHAFT	306 all	
15830	40	BRG CONE - INPUT SHAFT	306 all	
20329	41	BRG CUP - OUTPUT SHAFT	306 all	
24036	42	BRG CONE - OUTPUT SHAFT	306 all	
12551	43	BRG CUP - CLUTCH GEARS	306 all thru sn 999	
20331	43	BRG CUP - CLUTCH GEARS	306 all sn 1000 & up	
12554	44	BRG CONE - CLUTCH GEARS	306 all thru sn 999	
20332	44	BRG CONE - CLUTCH GEARS	306 all sn 1000 & up	
306-60-3	45	BRG SPCR - CLUTCH GEARS	306 all thru sn 416	
306-60-4	45	BRG SPCR - CLUTCH GEARS	306 all sn 417 - 999	
12245	47	BUSING	306 all	
13058	48	DISCONNECT SEAL	306 all	
13058	49	INPUT SEAL	306 all thru sn 1393	
13101	49	INPUT SEAL	306 all sn 1394 & up	
20333	50	OUTPUT SEAL	306 all - replaces 32395	
N5000-500	51	SNAP RING - DISC BRG	306 all	
20213	52	SNAP RING CLUTCH GRS	306 all thru sn 416	
N5000-475	52	SNAP RING CLUTCH GRS	306 all sn 417 & up	
306-60-5	54	BRG SPCR - CLUTCH GRS	306 all sn 417 - 700	
12255	55	SHIFT SWITCH	306 all	
208-85-3	57	YOKE WASHER	306 all	
49NTE2012	58	YOKE LOCK NUT	306 all	
20202	59	MAGNETIC PLUG	306 all	
5 x 2.0	61	DOWEL	306 all	

PART NUMBER	ITEM	PART NAME	USAGE	COMMENTS
3/8-16 x 2.5	62	GR5 BOLT - HSG	306 all	
3/8-16	63	LOCK NUT - HSG	306 all	
3/8-16 x 1.25	64	GR5 BOLT - BRG CAPS	306 all	
1/4-20 x 2.75		GR5 BOLT - SHFT CYL	306 all	
1/4-20 x 1.5	66	GR5 BOLT - DISC CYL	306 all	
5/16-18 x 1.0	67	SOCKET HD SCREW	306 all	
1/4 x 1.25	69	ROLL PIN	306 all	
7/16 ROUND		BALL - SHIFT SWITCH	306 all	
711820	71	V BLOCK SEAL - SHIFT	306 all	
711080	72	V BLOCK SEAL - DISC	306 all	
AS568-031	73	O RING - SHIFT CAP	306 all	
AS568-026	74	O RING - DISC CAP	306 all	
1"	75	SHFT ROD HOLE EXP PLUG	306 all thru sn 1290	
306-20-4	75	SHIFT ROD END COVER	306 all sn 1291 & up	
3/8-16 x 1.5	77	GR5 BOLT - SHFT FORK	306 all	
20542	78	DRAIN PLUG GASKET	306 all	
402570	79	SPEEDO SENDER BUSHG	306 all	
20567		BREATHER	306 all	
8GBU	81	CONNECTOR - FEMALE	306 all thru sn 1471	
3/8" NPT	81	STREET ELL	306 all sn 1472 & up	
HK0913	82	CLAMP	306 all thru sn 1471	
8CBU	83	CONNECTOR - MALE	306 all thru sn 1471	
306-80-6	84	SHIFT SWITCH WASHER	306 all	
306-80-5		SHFT ROD END CVR GSKT	306 all	
AS032	86	O RING - DISC CYL	306 all	
AS028	87	O RING - SHIFT CYL	306 all	

NSS - not serviced separately

*Not all parts showing Terex number. Please contact Terex for availability and price.