



Ultimax Fire Rescue Sales Manual

Pro Gear's Hendrickson Ultimax Fire Rescue Sales Manual to assist in identifying your Hendrickson unit.

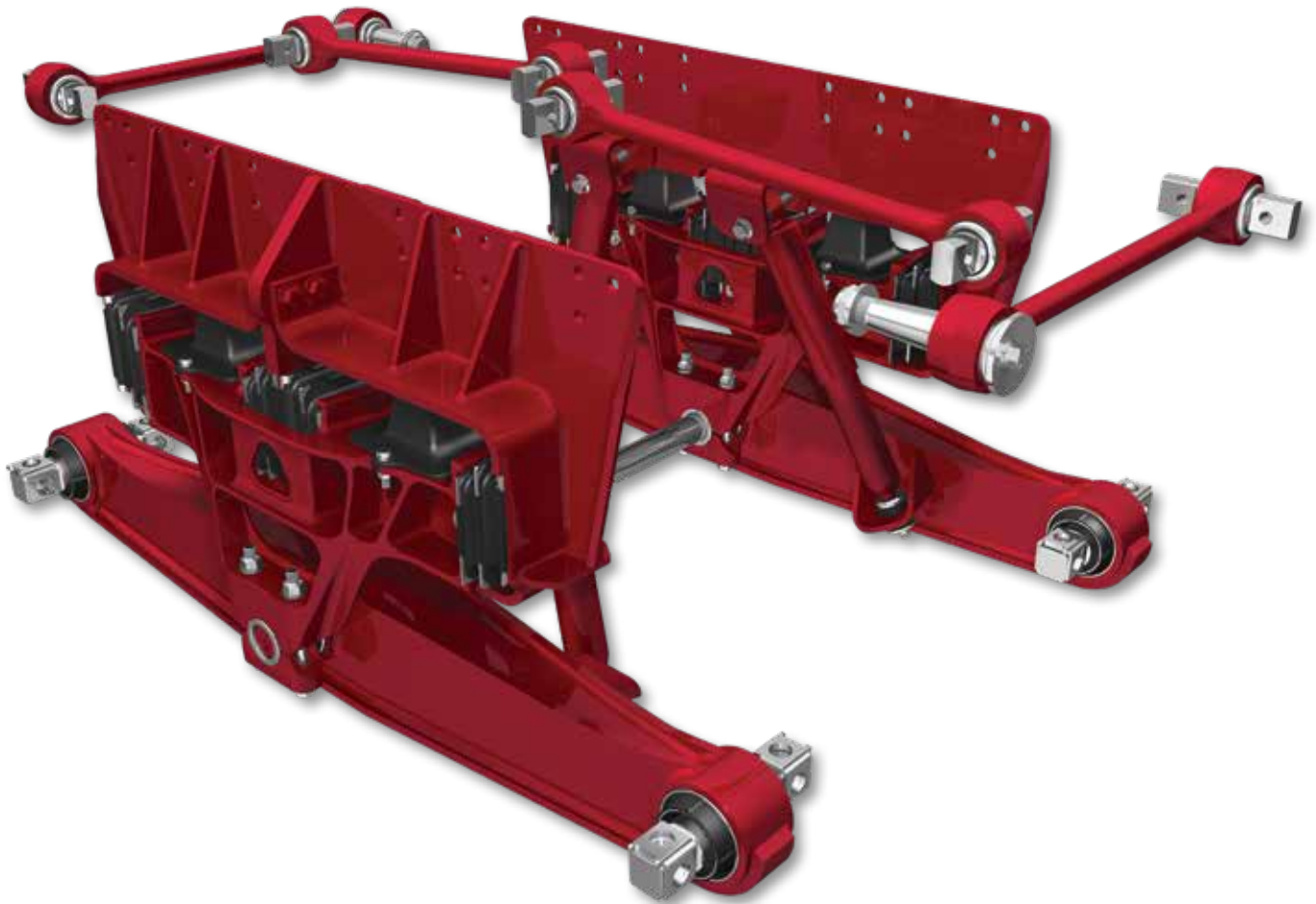
If you need any assistance identifying the correct transfer case unit for your truck and equipment, contact your Hendrickson replacement part specialists at Pro Gear and Transmission.

Pro Gear Transmission has same day shipping and 1000's of products in stock and ready to ship internationally for your next project.

For parts or service contact the Hendrickson specialists at Pro Gear & Transmission, Inc.

1 (877) 776-4600
(407) 872-1901
parts@eprogear.com

- Outstanding durability
- Progressive roll stability
- Low life cycle costs



To learn more about ULTIMAAX,
call 855.743.3733 or visit
www.hendrickson-fire.com

H **HENDRICKSON**
The World Rides On Us[®]

HULTIMAAX[®] Fire and Rescue Severe-Duty Rubber Suspension

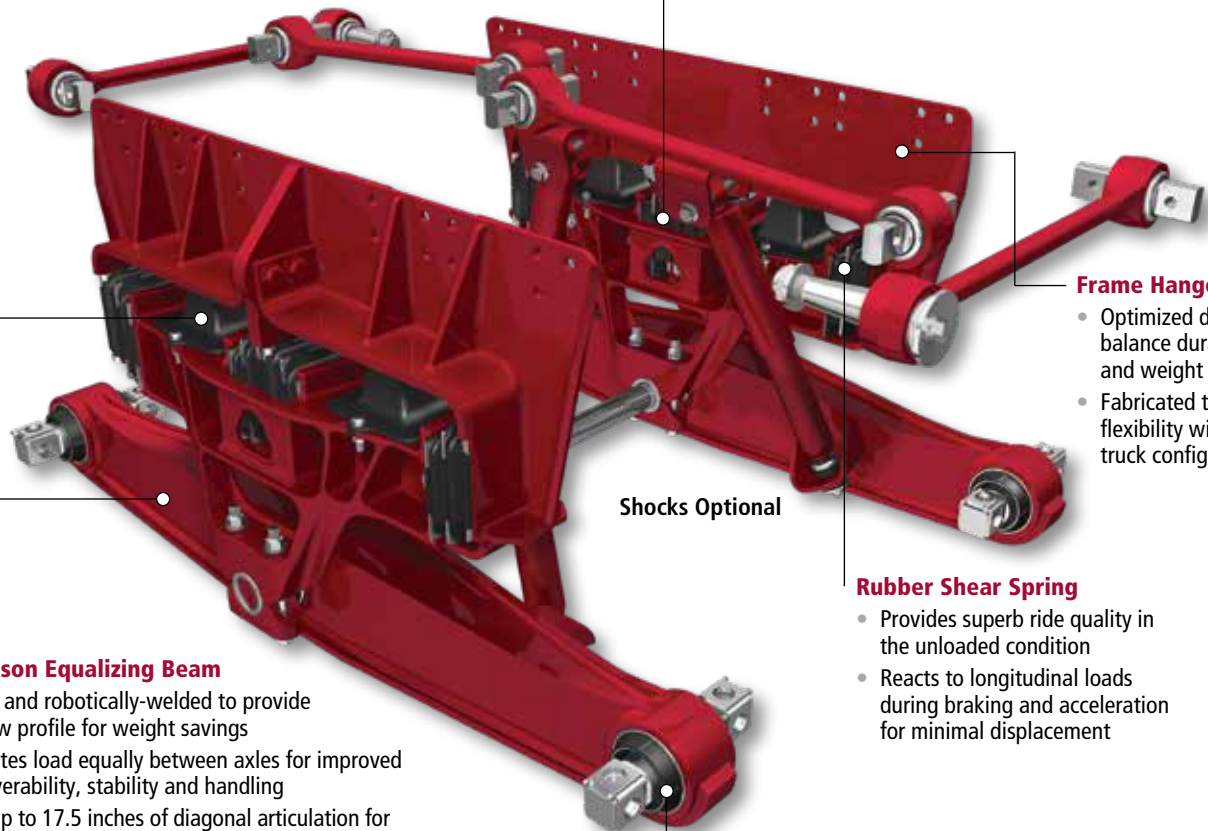
Drawing on over 100 years of experience, Hendrickson has employed the latest engineering advancements and expertise to develop the ULTIMAAX[®] severe-duty rubber suspension for the fire and rescue market.

Progressive Load Spring

- Increases stiffness as the load increases, providing a unique balance of empty ride quality and loaded stability
- Provides long service life and easy replacement for reduced down time
- Contributes to high-roll stability characteristics of the suspension

Saddle

- Triangular geometry provides structure and durability
- Increases payload with its lightweight design offering a considerable weight savings versus competitive suspensions



Frame Hanger

- Optimized design to balance durability and weight savings
- Fabricated to offer flexibility with multiple truck configurations

Shocks Optional

Rubber Shear Spring

- Provides superb ride quality in the unloaded condition
- Reacts to longitudinal loads during braking and acceleration for minimal displacement

Hendrickson Equalizing Beam

- Formed and robotically-welded to provide a narrow profile for weight savings
- Distributes load equally between axles for improved maneuverability, stability and handling
- Offers up to 17.5 inches of diagonal articulation for outstanding mobility and traction
- Lowers the center of gravity to increase stability
- Helps isolate the driver and vehicle from uneven road conditions with its central pivot point
- Increases ground clearance with flat bottom design

Premium Rubber Bushing

- Requires no lubrication
- Extend service life and reduce re-bush time with rugged bar pin axle connection
- Improves articulation with high performance design

MAAXimize Performance

For outstanding stability, driver comfort and equipment protection

The ingenuity behind the ULTIMAAX® system can be found in the unique rubber spring design. Rubber shear springs carry a majority of the vertical load in the empty condition, resulting in a soft ride. As the load increases, the progressive load springs deflect more to carry a greater portion of the load, increasing the stiffness of the suspension without causing an abrupt change in ride characteristics. ULTIMAAX's unique balance of empty ride and loaded stability not only helps to protect the driver, but also to cushion the load and protect the chassis, cargo and body equipment from excessive vibration and road shock due to potholes, rugged terrain and other inconsistencies in the road.



In the empty condition, the suspension rides primarily on the diagonal rubber shear springs, which help to absorb road inputs and fore/aft shock for outstanding ride quality.



As payload is added and the vehicle center of gravity increases, the progressive load springs compress and increase in stiffness to provide additional stability.

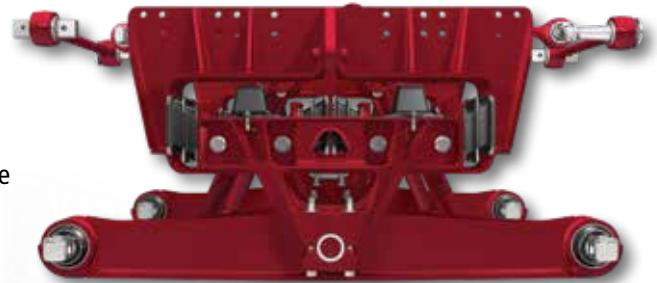
MAAXimize Uptime

To help keep you on the road longer

Through development and testing in Hendrickson's state-of-the-art lab and demanding proving grounds courses, the ULTIMAAX system has withstood extensive test environments.

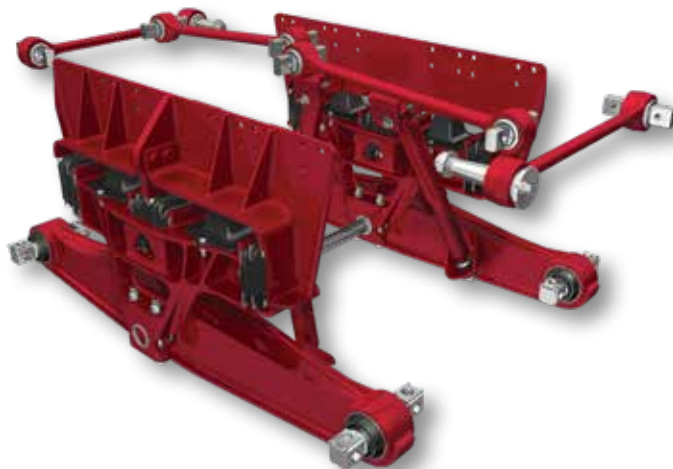
Aside from providing a reliable system for maximum uptime, ULTIMAAX is a low maintenance system that contributes to reduced life cycle costs and less down time in the following ways:

- Superior ride results in reduced road shock and vibration to the vehicle, which contributes to longer service life of the cab, chassis and body equipment
- No lubrication requirements
- Progressive load springs provide long service life and are easy to replace
- Bar pin end bushings designed to extend service life and reduce re-bush time
- Comprehensive technical support and training available



ULTIMAAX[®] Specifications

Suspension Rating	48,000 lbs. - 65,000 lbs.
GVW Approval ¹	Contact vehicle OEM
GCW Approval	Contact vehicle OEM
Diagonal Articulation ²	17.5 in.
Ride Heights	9.5 - 13 in.
Axle Spacing ³	54, 56, 60 in.



Hendrickson approves the use of ULTIMAAX[®] in fire / rescue applications. All applications must comply with applicable Hendrickson specifications and must also be approved by the respective vehicle manufacturer with the vehicle in its original, as-built configuration. Contact Hendrickson and the respective vehicle manufacturer for approval of additional applications.

1. Contact Hendrickson for applications that may exceed GVW approval ratings.
2. Suspension articulation may exceed vehicle's capability and may be limited by vehicle manufacturer; vehicle manufacturer installed axle stops may restrict suspension's articulation.
3. Contact Hendrickson for availability of additional beam lengths.

This product is covered by at least one or more U.S. and/or foreign patents and/or pending U.S. and/or foreign patent applications. See Hendrickson for details.

Hendrickson Genuine Parts are the same quality components installed in Hendrickson original equipment suspensions — consisting of the same design, construction, performance and durability. There's only one way to maintain and protect your suspension's original performance. Ask for the name that is synonymous with the finest manufactured suspensions in the world.

Actual product performance may vary depending upon vehicle configuration, operation, service and other factors.

All applications must comply with applicable Hendrickson specifications and must be approved by the respective vehicle manufacturer with the vehicle in its original, as-built configuration.

Contact Hendrickson for additional details regarding specifications, applications, capacities, and operation, service and maintenance instructions.

Call Hendrickson at **630.910.2800** or **855.RIDERED (743.3733)** for additional information.



www.hendrickson-intl.com

TRUCK COMMERCIAL VEHICLE SYSTEMS

800 South Frontage Road
Woodridge, IL 60517-4904 USA
855.RIDERED (743.3733)
630.910.2800 • Fax 630.910.2899

45745-419 Rev A 03-19

© 2016 – 2019 Hendrickson USA, L.L.C. All Rights Reserved. All trademarks shown are owned by Hendrickson USA, L.L.C., or one of its affiliates, in one or more countries. Information contained in this literature was accurate at the time of publication. Product changes may have been made after the copyright date that are not reflected.

Printed in United States of America

Pro Gear and Transmission • 906 W. Gore St. Orlando, FL 32805 • 1 (877) 776-4600 / (407) 872-1901 • parts@eprogear.com