



## Ultimaax International Parts Manual

Pro Gear's Hendrickson Ultimaax International Parts Manual to assist in identifying your Hendrickson unit.

If you need any assistance identifying the correct transfer case unit for your truck and equipment, contact your Hendrickson replacement part specialists at Pro Gear and Transmission.

Pro Gear Transmission has same day shipping and 1000's of products in stock and ready to ship internationally for your next project.

For parts or service contact the Hendrickson specialists at Pro Gear & Transmission, Inc.

1 (877) 776-4600  
(407) 872-1901  
parts@eprogear.com

# **H** PARTS LIST

**ULTIMAAX® Rear Suspension  
for International Truck Vehicles  
Operated in Mexico, Central and  
South America**

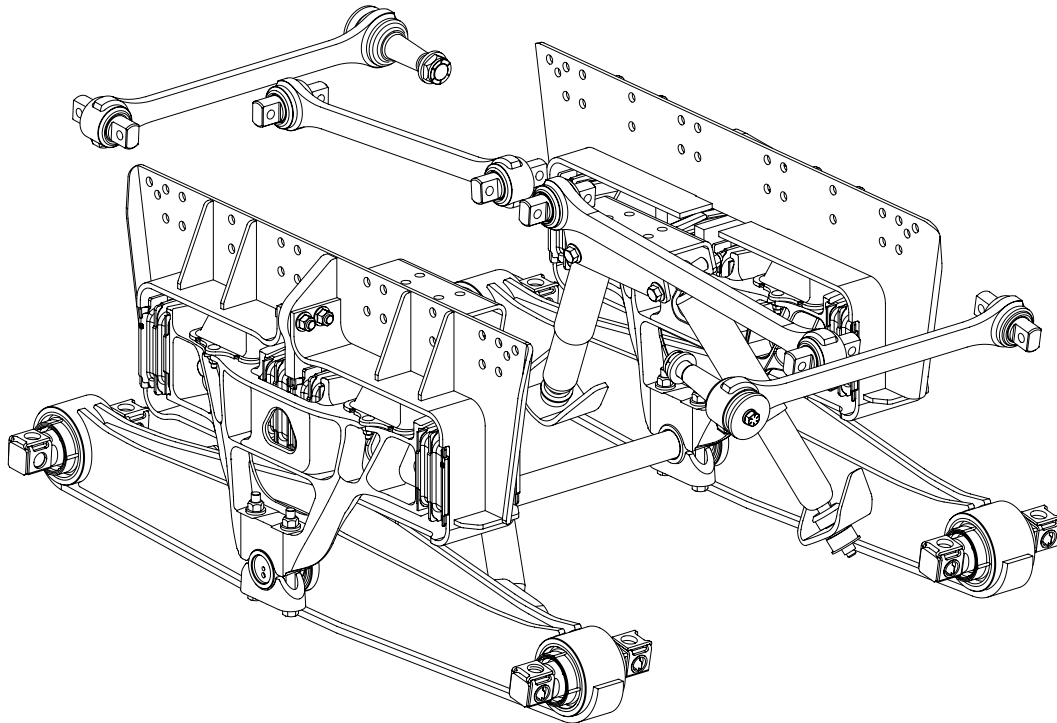
LIT NO: SP-317

DATE: September 2018

REVISION: A

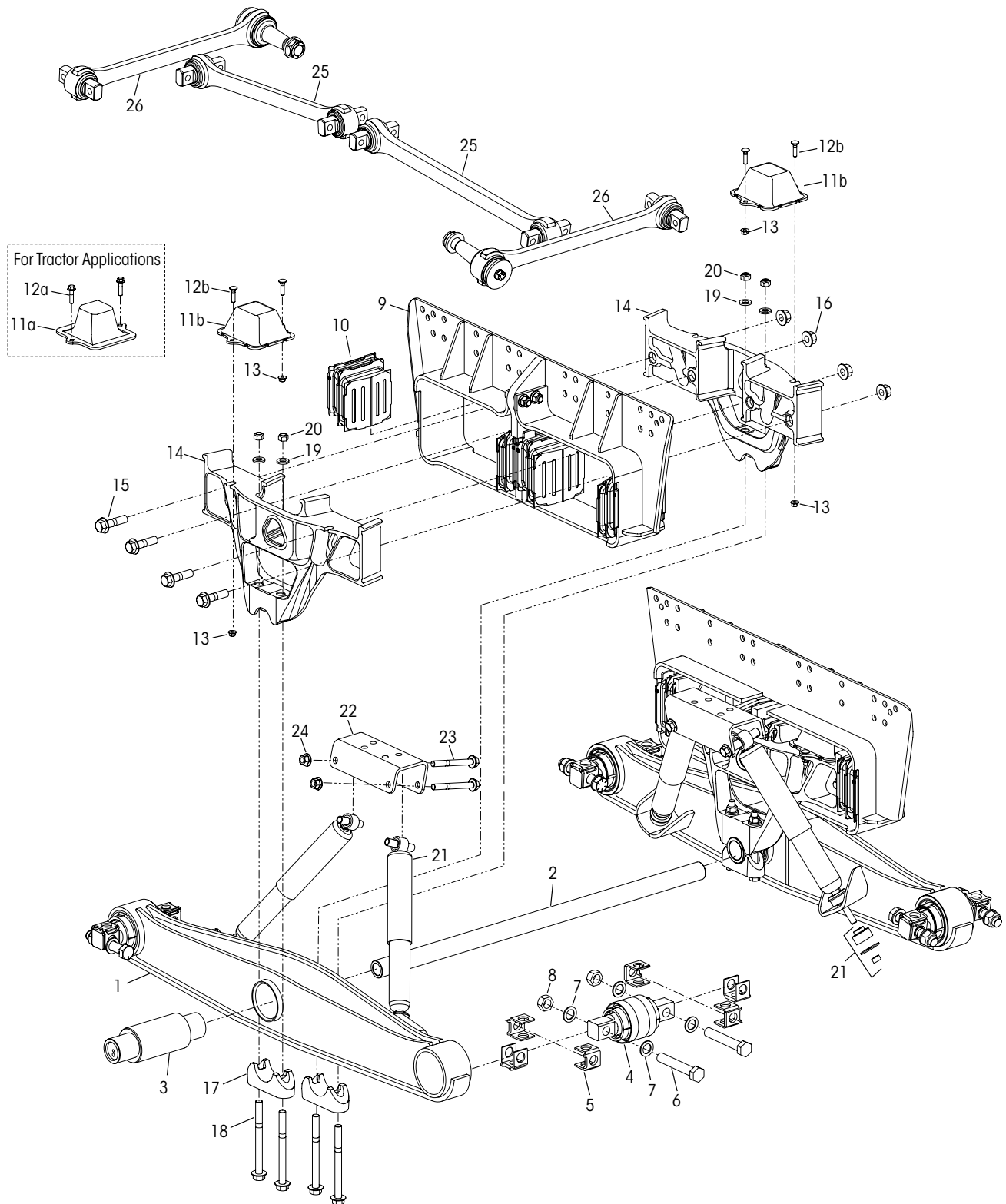
## **CONTENTS**

<b>DESCRIPTION</b>	<b>PAGE</b>
Parts List . . . . .	2
Service Kits . . . . .	4
Special Tools . . . . .	5





46K • 52K Capacity





# ULTIMAAX® for International Truck Vehicles – Mexico, Central and South America

KEY NO.	PART NO.	DESCRIPTION	VEHICLE QTY.	KEY NO.	PART NO.	DESCRIPTION	VEHICLE QTY.
1	78489-540	Equalizing Beam Assembly with Shock Bracket 54" Beam Length, Includes Key Nos. 3-4	2			<b>Progressive Load Spring Fasteners Service Kit, One Side</b>	
	60961-759	<b>Cross Tube Service Kit</b> , Includes Key No. 2 and Weldable Loose Plug (Not Shown)			34013-196	Tractor, Includes Key Nos. 12a-13	
2	44642-008	Cross Tube - 1140 mm	1		60961-812	Truck, Includes Key Nos. 12b-13	
	60961-755	<b>Equalizing Beam Bushings Service Kit, One Beam</b> , Includes Key No. 3-4, 6-8, 18-20		12		*M10 x 1.5 x 6G Bolt	8
3	69538-000L	Center Bushing	2	a		Tractor, Flange Bolt, 40 mm	
	60961-752	<b>End Bushing Service Kit, One Wheel End</b> , Includes Key Nos. 4-8		b		Truck, Round Head Square Neck Bolt, 35 mm	
4		*Bar Pin End Bushing Assembly, Includes Key No. 5a		13		*M10 x 1.5 Flange Locknut	8
5		Bar Pin Shim	8	14	70886-000	Saddle Assembly	4
a	50130-000	0.19" / 0.19" Standard			34013-197	<b>Saddle Only Fasteners Service Kit, One Side</b> , Includes Key Nos. 15-16	
b	50131-000	0.25" / 0.12" Optional		15		*M20 x 1.5 x 75 mm Flange Bolt	8
c	57026-000	0.375" Optional flat shim		16		*M20 x 1.5 Flange Nut	8
		<b>End Bushing Fasteners Service Kit</b> , Includes Key Nos. 6-8		17	77205-001	Saddle Cap	4
	56659-001	Tandem			60961-768	<b>Saddle Cap Fasteners Service Kit, One Side</b> , Includes Key Nos. 18-20	
	56659-005	One Beam		18		*M16 x 2 x 6G x 180 mm Flange Bolt	8
	34013-104	One Wheel End		19		*M16 Flat Washer	8
6		*1"-8 UNC x 6" Bolt	8	20		*M16 x 2 x 6H Nut	8
7		*1" Hardened Washer	16	21		**Shock Absorber	4
8		*1"-8 UNC Locknut	8	a	60680-015L	46K	
9		Frame Hanger, 34.75" Width, 9.5" Ride Height	2	b	60680-016L	52K	
	80579-002	46K, 7" Axle Drop		22	77591-006	Upper Shock Bracket	4
	80579-003	52K, 7" Axle Drop			60961-818	<b>Upper Shock Fasteners Service Kit, One Beam</b> , Includes Key Nos. 23-24	
	80579-004	52K, 7¾" Axle Drop		23		*M16 x 2 x 140 mm Flange Bolt	4
		<b>Shear and Progressive Load Spring Service Kit, One Side</b>		24		*M16 x 2 Flange Nut	4
	60961-749	Tractor, Includes Key Nos. 10, 11a, 12a, 13, 15-16, 18-20, 28		25		TRAAX ROD™ Longitudinal Torque Rod, Straddle/Straddle, Includes Straddle Bushings	2
	60961-771	Truck, Includes Key Nos. 10, 11b, 12b, 13, 15-16, 18-20, 28			8240-0001-600	Front (Standard)	
	60961-750	<b>Shear Spring Service Kit, One Hanger</b> , Includes Key Nos. 10, 15-16, 18-20, 28			8240-0001-605	Front (Alternate)	
10		*Shear Spring	8		8240-0001-725	Rear (Standard)	
		<b>Progressive Load Spring Service Kit, One Side</b>			8240-0001-730	Rear (Alternate)	
	60961-751	Tractor, Includes Key Nos. 11a, 12a, 13			8240-0001-745	Rear (Alternate)	
	60961-822	Truck, Includes Key Nos. 11b, 12b, 13		26	8244-0099-610	***TRAAX ROD Transverse Torque Rod Straddle/Taper, Includes Straddle and Taper Bushings	2
11		*Progressive Load Spring	4			Torque Rod Shim (Not Shown)	As Req.
a		Tractor		27	49689-000L		As Req.
b		Truck		28	70867-001	P-80 Lubricant - 10 ml (Not Shown)	

**NOTES:** \* Item included in kit/assembly only, part not sold separately.

\*\* Shock absorbers are mandatory for the tractor applications and optional for truck applications.

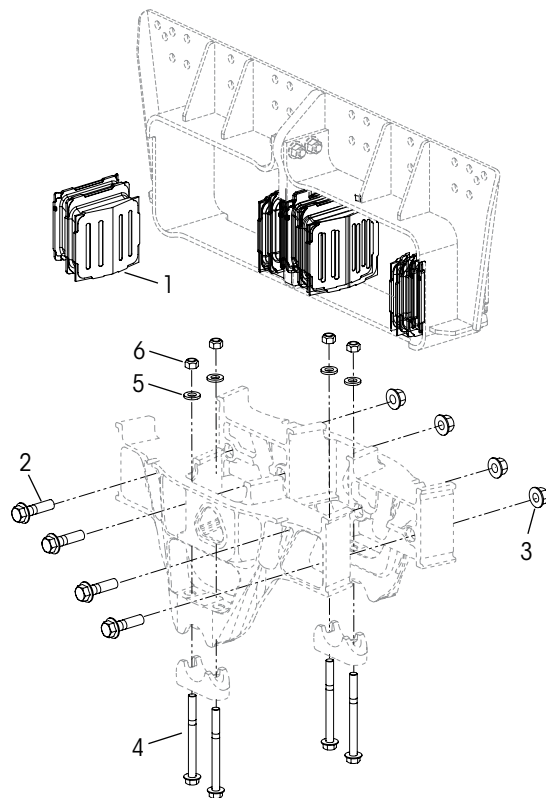
\*\*\* Transverse rods are mandatory for the ULTIMAAX rear suspension regardless of axle spacing.

**Hendrickson Lit. Nos. 48422-592SP** (Tractor PLS 77382-001) and **48422-598SP** (Truck PLS 78897-001) – ULTIMAAX Gauge Card can be used to measure in unloaded condition (1) the height of the progressive load spring (PLS) and (2) the length of cut / split of the shear spring and PLS available online at [www.hendrickson-intl.com/Litform](http://www.hendrickson-intl.com/Litform).



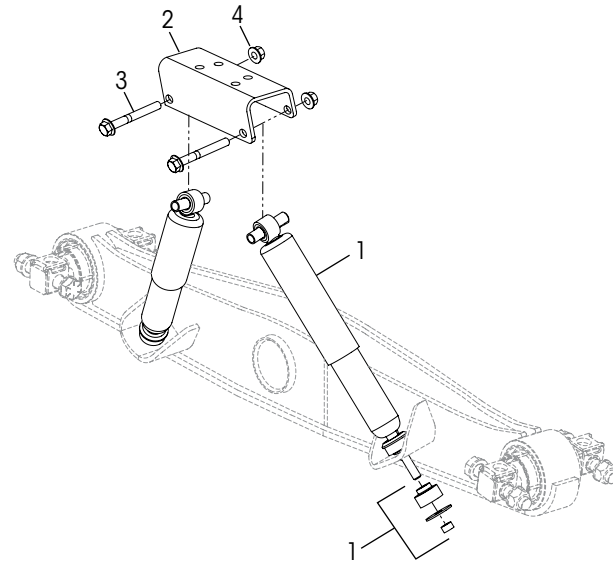
■ Service Kits

Service Kit No. | Shear Spring  
60961-750 | One Hanger



KEY NO.	PART NO.	DESCRIPTION	KIT QTY.
1		*Shear Spring	4
2		*M20 x 1.5 x 75 mm Flange Bolt	4
3		*M20 x 1.5 Flange Nut	4
4		*M16 x 2 x 6G x 180 mm Flange Bolt	4
5		*M16 Flat Washer	4
6		*M16 x 2 x 6H Nut	4
7	70867-001	P-80 Lubricant - 10 ml (Not Shown)	2

Service Kit No. | Aftermarket Shock Absorber  
34013-304 - 46K | Axle Set  
34013-305 - 52K | for Truck Applications



KEY NO.	PART NO.	DESCRIPTION	KIT QTY.
1		*Shock Absorber	4
2		*Upper Shock Bracket	4
3		*M16 x 2 x 140 mm Flange Bolt	4
4		*M16 x 2 Flange Nut	4

NOTES: \* Item included in kit/assembly only, part not sold separately.

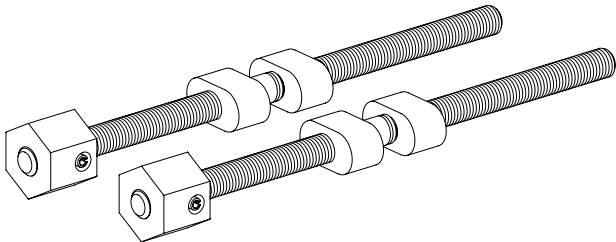


■ Special Tools

**SADDLE ASSEMBLY TOOLS**

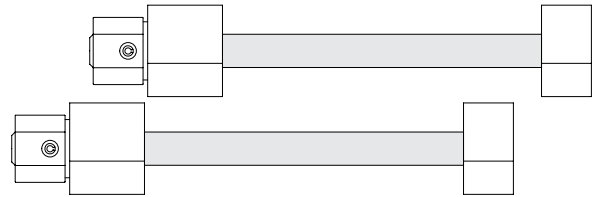
**DISASSEMBLY TOOL**

Hendrickson Part No. 66086-113L



**ASSEMBLY TOOL**

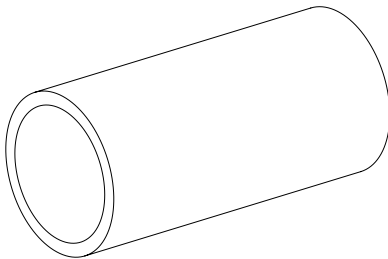
Hendrickson Part No. 66086-108L



**CENTER BUSHING TOOLS**

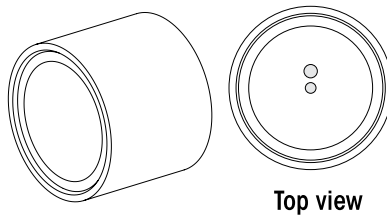
**RECEIVING TOOL**

Hendrickson Part No. 66086-112



**INSTALLATION TOOL**

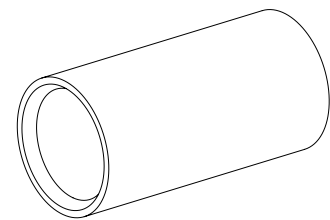
Hendrickson Part No. 66086-107



Top view

**REMOVAL TOOL**

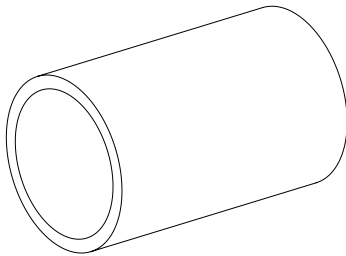
Hendrickson Part No. 66086-110



**END BUSHING TOOLS**

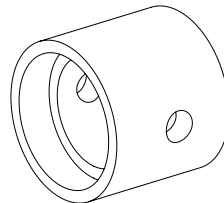
**RECEIVING TOOL**

Hendrickson Part No. 66086-111



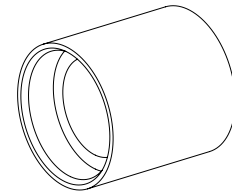
**INSTALLATION TOOL**

Hendrickson Part No. 66086-106



**REMOVAL TOOL**

Hendrickson Part No. 66086-109



Esta es una lista de partes general para proporcionar información, los componentes pueden variar por modelo. Para preguntas sobre partes, contacte a Hendrickson al tel. (52) 442 296 3600 o envíe un email a: [truckparts@hendrickson-intl.com](mailto:truckparts@hendrickson-intl.com).

---

[www.hendrickson-intl.com](http://www.hendrickson-intl.com)

---



Hendrickson Mexicana  
Circuito El Marqués Sur #29  
Parque Industrial El Marqués  
Pob. El Colorado, Municipio El Marqués  
Querétaro, México C.P. 76246

+52 (442) 296.3600  
Fax +52 (442) 296.3601

"HENDRICKSON", the "H" logo and other Hendrickson marks designated with the "®" symbol are registered trademarks of Hendrickson USA, L.L.C. in the United States and certain other countries.

La información contenida en esta publicación era exacta a la fecha de impresión. Cambios en la información pueden haber ocurrido después de la fecha de copyright que no están incluidos  
© 2018 Hendrickson USA, L.L.C. Derechos Reservados

Hendrickson  
Truck Commercial Vehicle Systems  
800 South Frontage Road  
Woodridge, IL 60517-4904 USA

SP-317 Rev A 09-18

Impreso en México

**Pro Gear and Transmission • 906 W. Gore St. Orlando, FL 32805 • 1 (877) 776-4600 / (407) 872-1901 • [parts@eprogear.com](mailto:parts@eprogear.com)**