



Ultimax Kenworth Parts Manual

Pro Gear's Hendrickson Ultimax Kenworth Parts Manual to assist in identifying your Hendrickson unit.

If you need any assistance identifying the correct transfer case unit for your truck and equipment, contact your Hendrickson replacement part specialists at Pro Gear and Transmission.

Pro Gear Transmission has same day shipping and 1000's of products in stock and ready to ship internationally for your next project.

For parts or service contact the Hendrickson specialists at Pro Gear & Transmission, Inc.

1 (877) 776-4600
(407) 872-1901
parts@eprogear.com

H PARTS LIST

ULTIMAAX® Rear Suspension for Kenworth Vehicles

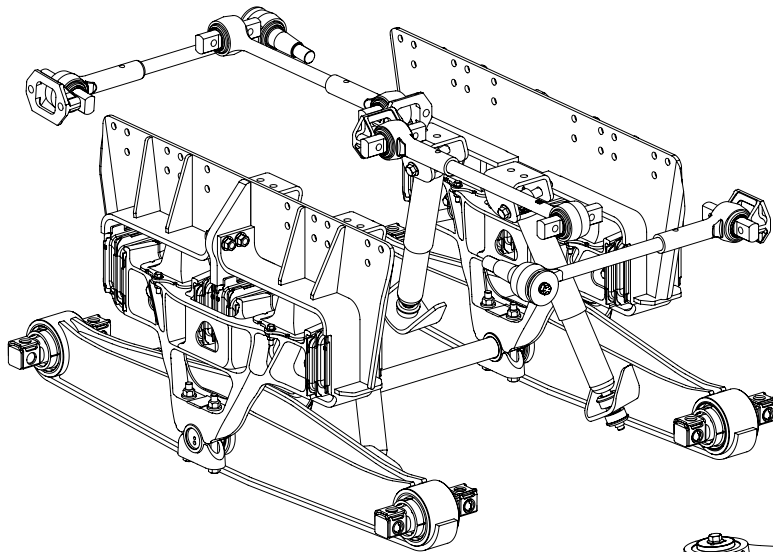
LIT NO: SP-301

DATE: October 2018

REVISION: B

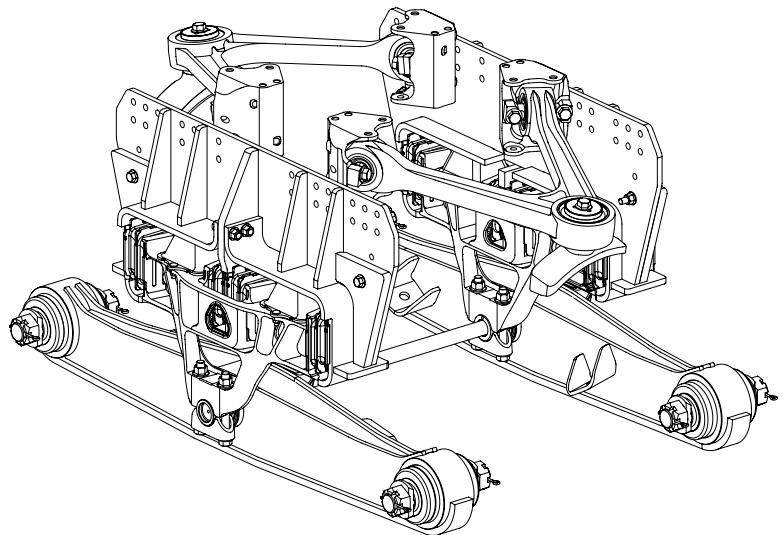
CONTENTS

DESCRIPTION	PAGE
Parts List	
■ 46K • 52K Capacity	2
■ 60K • 70K Capacity	4
Special Tools	6



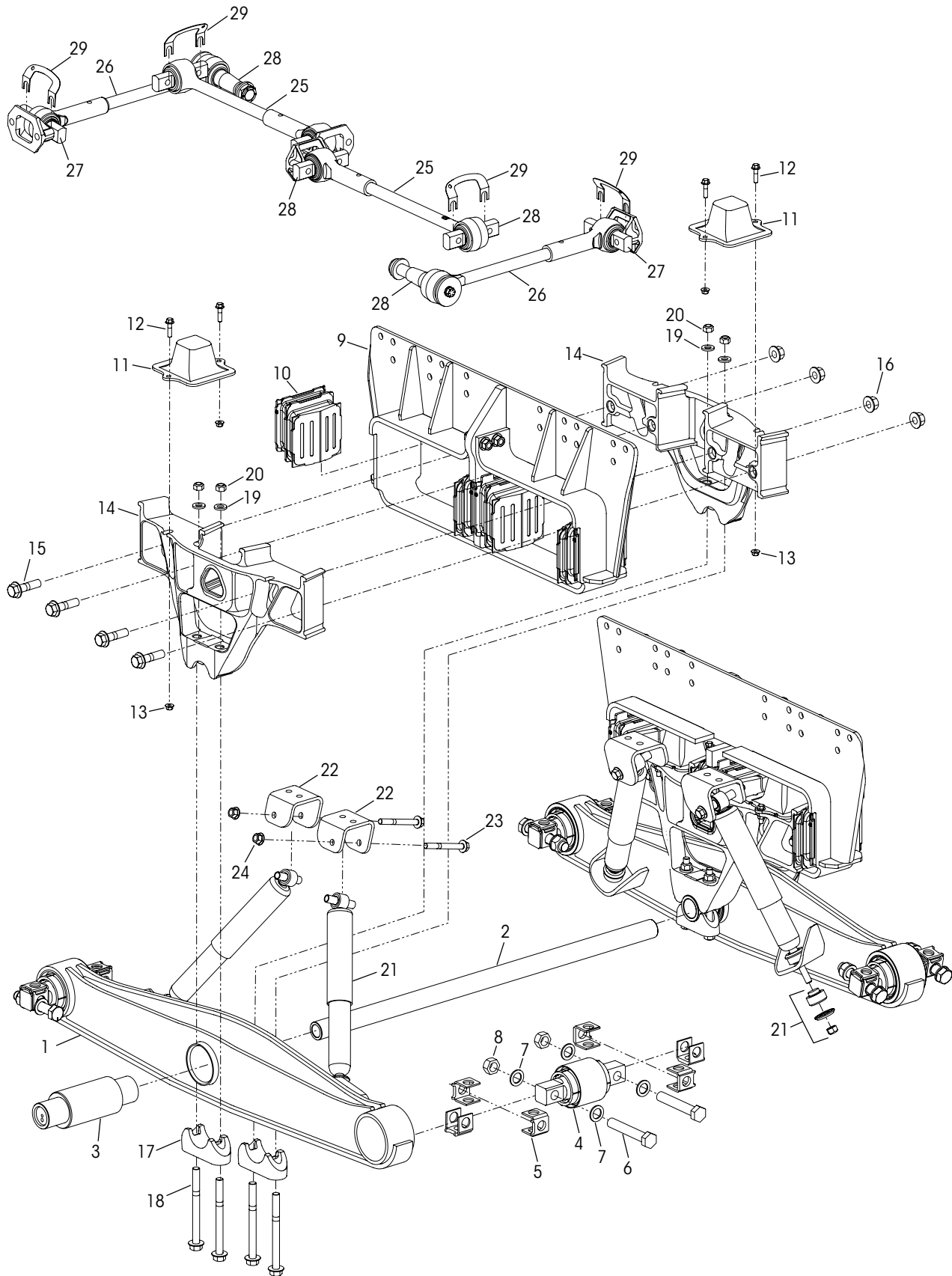
46K • 52K Capacity

60K • 70K Capacity





46K • 52K Capacity





KEY NO.	PART NO.	DESCRIPTION	VEHICLE QTY.	KEY NO.	PART NO.	DESCRIPTION	VEHICLE QTY.
1		Equalizing Beam Assembly with Shock Bracket Includes Key Nos. 3-5a	2		60961-751	Progressive Load Spring Service Kit, One Side Includes Key Nos. 11-13	
	78489-540	54" Beam Length		11		*Progressive Load Spring	4
	78489-560	56" Beam Length			34013-196	Progressive Load Spring Fasteners Service Kit, One Side , Includes Key Nos. 12-13	
	60961-759	Cross Tube Service Kit , Includes Key No. 2 and Weldable Loose Plug (Not Shown)		12		*M10 x 1.5 x 40 mm 6G Flange Bolt	8
2	44642-008	Cross Tube - 1140 mm	1	13		*M10 x 1.5 Flange Lock Nut	8
	60961-755	Equalizing Beam Bushings Service Kit, One Beam , Includes Key No. 3-4, 6-8, 18-20		14	70886-000	Saddle Assembly	4
3	69538-000L	Center Bushing	2		34013-197	Saddle Only Fasteners Service Kit, One Side , Includes Key Nos. 15-16	
	60961-752	End Bushing Service Kit, One Wheel End , Includes Key Nos. 4-8		15		*M20 x 1.5 x 75 mm Flange Bolt	8
4		*Bar Pin End Bushing Assembly, Includes Key No. 5a		16		*M20 x 1.5 Flange Nut	8
5		Bar Pin Shim	8	17	77205-001	Saddle Cap, <i>Replaces 77374-001</i>	4
a	50130-000	0.19" / 0.19" Standard			60961-768	Saddle Cap Fasteners Service Kit, One Side , Includes Key Nos. 18-20	
b	50131-000	0.25" / 0.12" Optional		18		*M16 x 2 x 6G x 180 mm Flange Bolt	8
c	57026-000	0.375" Optional flat shim		19		*M16 Flat Washer	8
		End Bushing Fasteners Service Kit , Includes Key Nos. 6-8		20		*M16 x 2 x 6H Nut	8
	56659-001	Tandem		21	60680-015L	Shock Absorber	4
	56659-005	One Beam		22	78630-001	Upper Shock Bracket <i>Replaces 78630-002 (If equipped)</i>	2
	34013-104	One Wheel End			60961-818	Upper Shock Fasteners Service Kit, One Beam , Includes Key Nos. 23-24	
6		*1"-8 UNC x 6" Bolt	8	23		*M16 x 2 x 140 mm Flange Bolt	4
7		*1" Hardened Washer	16	24		*M16 x 2 Flange Nut	4
8		*1"-8 UNC Locknut	8	25		ULTRA ROD® PLUS™ Longitudinal Torque Rod, Straddle/Straddle Includes Key No. 27	2
9		Frame Hanger, 34" Width, 11" Ride Height	2		92000-610S	Front	
	70912-204	7" Axle Hanger Drop			92000-660S	Rear	
	70912-205	7¾" Axle Hanger Drop		26	92350-605S	**ULTRA ROD PLUS Transverse Torque Rod Straddle/Taper Includes Key Nos. 27-28	2
	60961-749	Shear and Progressive Load Spring Service Kit, One Side , Includes Key Nos. 10-13, 15-16, 18-20, 30		27	66649-002L	XTRB Straddle Bushing	6
	60961-750	Shear Spring Service Kit, One Side Includes Key Nos. 10, 15-16, 18-20, 30		28	66649-004L	XTRB Taper Bushing	2
10		*Shear Spring	8	29	49689-000L	Torque Rod Shim	As Req.
				30	70867-001	P-80 Lubricant - 10 ml (Not Shown)	As Req.

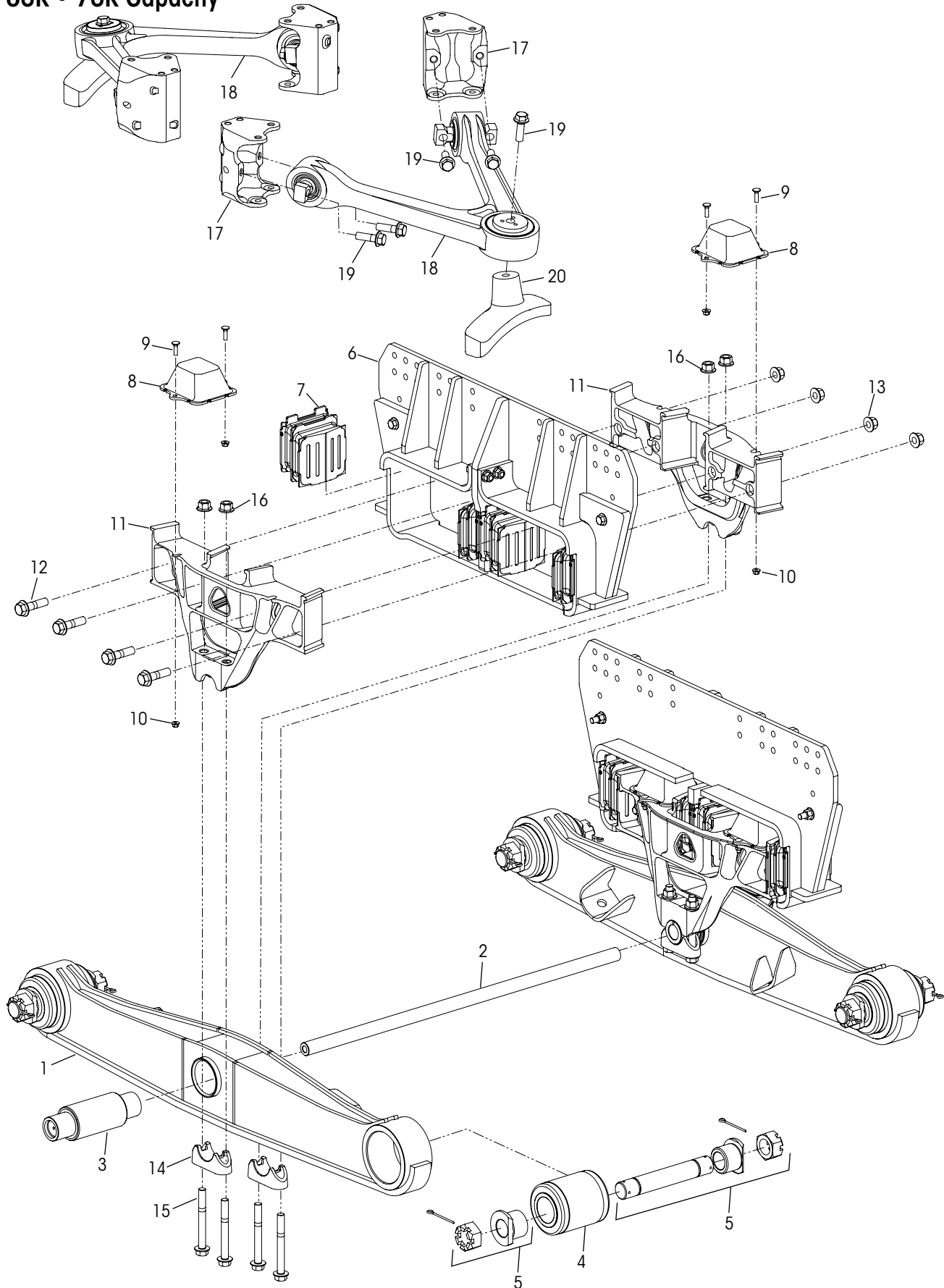
NOTES: * Item included in kit/assembly only, part not sold separately.

** Transverse torque rods are mandatory for the ULTIMAAX rear suspension regardless of axle spacing.

Hendrickson Lit. No. 48422-592 – ULTIMAAX Gauge Card can be used to measure in unloaded condition (1) the height of the progressive load spring (PLS) and (2) the length of cut/split of the shear spring and PLS. Gauge card can be obtained on-line at www.hendrickson-intl.com/Litform



60K • 70K Capacity





KEY NO.	PART NO.	DESCRIPTION	VEHICLE QTY.	KEY NO.	PART NO.	DESCRIPTION	VEHICLE QTY.
1		Equalizing Beam Assembly, Includes Key Nos. 3-4	2	6		Frame Hanger	2
	78634-560	60K, 56" Beam Length			80821-003	60K, 6" Bushing	
	78634-600	60K, 60" Beam Length			80821-002	70K, 6" Bushing	
	80192-560	70K, 56" Beam Length, 6" Bushing			80821-001	70K, 7" Bushing	
	80291-560	70K, 56" Beam Length, 7" Bushing			60961-876	Shear and Progressive Load Spring Service Kit, One Side , Includes Key Nos. 7-8, 9-10, 12-13, 15-16, 21	
	80192-600	70K, 60" Beam Length, 6" Bushing			60961-877	Shear Spring Service Kit, One Side Includes Key Nos. 7, 12-13, 15-16, 21	
	80291-600	70K, 60" Beam Length, 7" Bushing			7	*Shear Spring	8
		Cross Tube Service Kit , Includes Weldable Loose End Plug (Not Shown)			60961-822	Progressive Load Spring Service Kit, One Side Includes Key Nos. 8-10	
	60961-759	60K, Includes Key No. 2a		8		*Progressive Load Spring	4
	60961-875	70K, Includes Key No. 2b & Circlip (Not Shown)			60961-812	Progressive Load Spring Fasteners Service Kit, One Side , Includes Key Nos. 9-10	
2		Cross Tube, 1140 mm	1	9		*M10 x 1.5 x 35 mm 6G Flange Bolt	8
a	44642-008	60K		10		*M10 x 1.5 Flange Locknut	8
b	78962-001	70K		11	80964-001	Saddle Assembly	4
		Equalizing Beam Bushings Service Kit, One Beam			34013-197	Saddle Only Fasteners Service Kit, One Side , Includes Key Nos. 12-13	
	34013-290	60K, 6" Bushing, Includes Key No. 3a-5a, 15-16		12		*M20 x 1.5 x 75 mm Flange Bolt	8
	34013-291	70K, 6" Bushing, Includes Key No. 3b, 4a-5a, 15-16		13		*M20 x 1.5 Flange Nut	8
	34013-292	70K, 7" Bushing, Includes Key No. 3b-5b, 15-16		14	80965-001	Saddle Cap	4
3		Center Bushing Assembly, includes End Plug	2		60961-879	Saddle Cap Fasteners Service Kit, One Side , Includes Key Nos. 15-16	
a	69538-000L	60K		15		*M20 x 1.5 x 175 mm Flange Bolt	8
b	80539-001	70K, includes Circlip (Not Shown)		16		*M20 x 1.5 Flange Locknut	8
		End Bushing and Adapter Service Kits,		17	78561-001	Corner Bracket	4
		• Tandem		18	76847-000	**V-rod Assembly	2
	60872-010	60K-70K, 6" Bushing, Includes Key No. 4a-5a		19	68754-065	M20 x 2.5 x 65 mm Flange Bolt	10
	60872-011	70K, 7" Bushing, Includes Key No. 4b-5b		20		Axle Apex Bracket, <i>see Table below</i>	2
		• One Wheel End		21	70867-001	P-80 Lubricant - 10 ml (Not Shown)	As Req.
	34013-052	60K-70K, 6" Bushing, Includes Key No. 4a-5a					
	34013-110	70K, 7" Bushing, Includes Key No. 4b-5b					
4		End Bushing	4				
a	10363-000L	60K-70K, 6" Bushing					
b	10364-000L	70K, 7" Bushing					
5		End Bushing Adapter Assembly	4				
a	21140-007	60K-70K, 6" Bushing					
b	21140-004L	70K, 7" Bushing					

NOTES: * Item included in kit/assembly only, part not sold separately.

** V-rods are mandatory for the ULTIMAAX rear suspension regardless of axle spacing.

Hendrickson Lit. No. 48422-598 – ULTIMAAX Gauge Card can be used to measure in unloaded condition (1) the height of the progressive load spring (PLS) and (2) the length of cut/split of the shear spring and PLS. Gauge card can be obtained on-line at www.hendrickson-intl.com/Litform

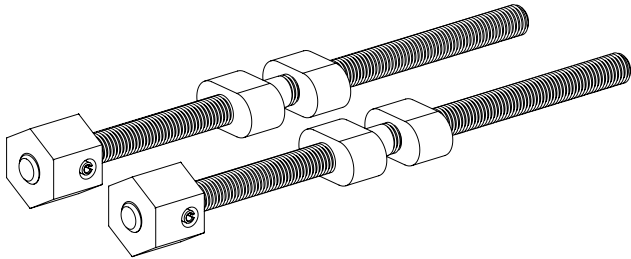
KEY NO. 20 AXLE APEX BRACKET											
80784-XXX – RT70 Axle			80786-XXX – D70 Axle			80913-XXX – RT58 Axle			91005-XXX – D60 Axle		
Pinion Angle	Front Drive	Rear Drive	Pinion Angle	Front Drive	Rear Drive	Pinion Angle	Front Drive	Rear Drive	Pinion Angle	Front Drive	Rear Drive
0	80784-005	80784-105	0	80786-005	80786-105	0	80913-005	80913-105	0	91005-005	91005-105
1	80784-001	80784-101	1	80786-001	80786-101	1	80913-001	80913-101	1	91005-001	91005-101
2	80784-002	80784-102	2	80786-002	80786-102	2	80913-002	80913-102	2	91005-002	91005-102
2.5	80784-025	80784-125	2.5	80786-025	80786-125	2.5	80913-025	80913-125	2.5	91005-025	91005-125
3	80784-003	80784-103	3	80786-003	80786-103	3	80913-003	80913-103	3	91005-003	91005-103
4	80784-004	80784-104	4	80786-004	80786-104	4	80913-004	80913-104	4	91005-004	91005-104
						12.5		80913-106	11		91005-106
						11.75		80913-107	10.25		91005-107
						11		80913-108	9.5		91005-108
						10.5		80913-109	9		91005-109
						10.25		80913-110	8.75		91005-110
						9.5		80913-111	7.75		91005-111



■ Special Tools

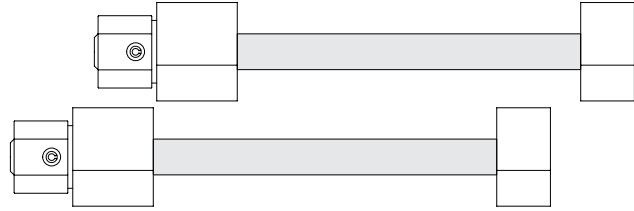
SADDLE DISASSEMBLY TOOL

Hendrickson Part No. 66086-113L



SADDLE ASSEMBLY TOOL

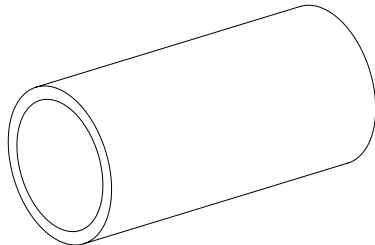
Hendrickson Part No. 66086-108L



CENTER BUSHING TOOLS

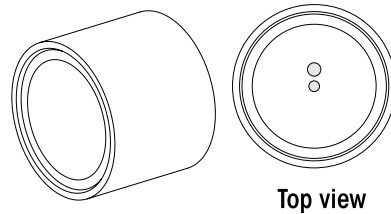
RECEIVING TOOL

Hendrickson Part No. 66086-112



INSTALLATION TOOL

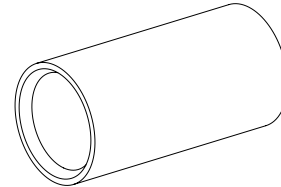
Hendrickson Part No. 66086-107



Top view

REMOVAL TOOL

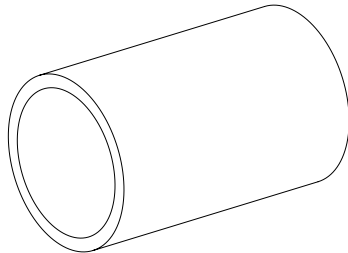
Hendrickson Part No. 66086-110



BAR PIN STYLE END BUSHING TOOLS – 46K • 52K CAPACITY

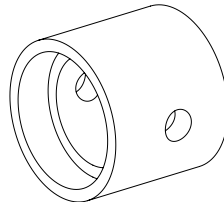
RECEIVING TOOL

Hendrickson Part No. 66086-111



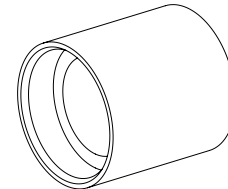
INSTALLATION TOOL

Hendrickson Part No. 66086-106



REMOVAL TOOL

Hendrickson Part No. 66086-109



ADAPTER STYLE END BUSHING TOOLS – 60K • 70K CAPACITY

Hendrickson Part No. 66086-101

OTC Part No. 1763

Visit otctools.com





■ **Special Tools**

ULTRA ROD PLUS TORQUE ROD BUSHING FUNNEL TOOL

Hendrickson Part No. 66086-000L



This is a general parts list to provide directional information. Components may vary by model. Questions in regards to parts, contact Hendrickson Truck Parts at 1.866.755.5968 (Toll-free U.S. and Canada), 630.910.2800 (Outside U.S. and Canada) or e-mail: truckparts@hendrickson-intl.com.

www.hendrickson-intl.com



Truck Commercial Vehicle Systems
800 South Frontage Road
Woodridge, IL 60517-4904 USA

1.866.755.5968 (Toll-free U.S. and Canada)
1.630.910.2800 (Outside U.S. and Canada)
Fax 1.630.910.2899

"HENDRICKSON", the "H" logo and other Hendrickson marks designated with the "®" symbol are registered trademarks of Hendrickson USA, L.L.C. in the United States and certain other countries.

Information contained in this literature was accurate at the time of publication. Product changes may have been made after the copyright date that are not reflected.

SP-301 Rev B 10-18

© 2016 – 2018 Hendrickson USA, L.L.C. All Rights Reserved

Printed in United States of America

Pro Gear and Transmission • 906 W. Gore St. Orlando, FL 32805 • 1 (877) 776-4600 / (407) 872-1901 • parts@eprogear.com