



Ultimaax Western Star Sales Manual

Pro Gear's Hendrickson Ultimaax Western Star Sales Manual to assist in identifying your Hendrickson unit.

If you need any assistance identifying the correct transfer case unit for your truck and equipment, contact your Hendrickson replacement part specialists at Pro Gear and Transmission.

Pro Gear Transmission has same day shipping and 1000's of products in stock and ready to ship internationally for your next project.

For parts or service contact the Hendrickson specialists at Pro Gear & Transmission, Inc.

1 (877) 776-4600
(407) 872-1901
parts@eprogear.com

H PARTS LIST

ULTIMAAX® Rear Suspension for Western Star Vehicles

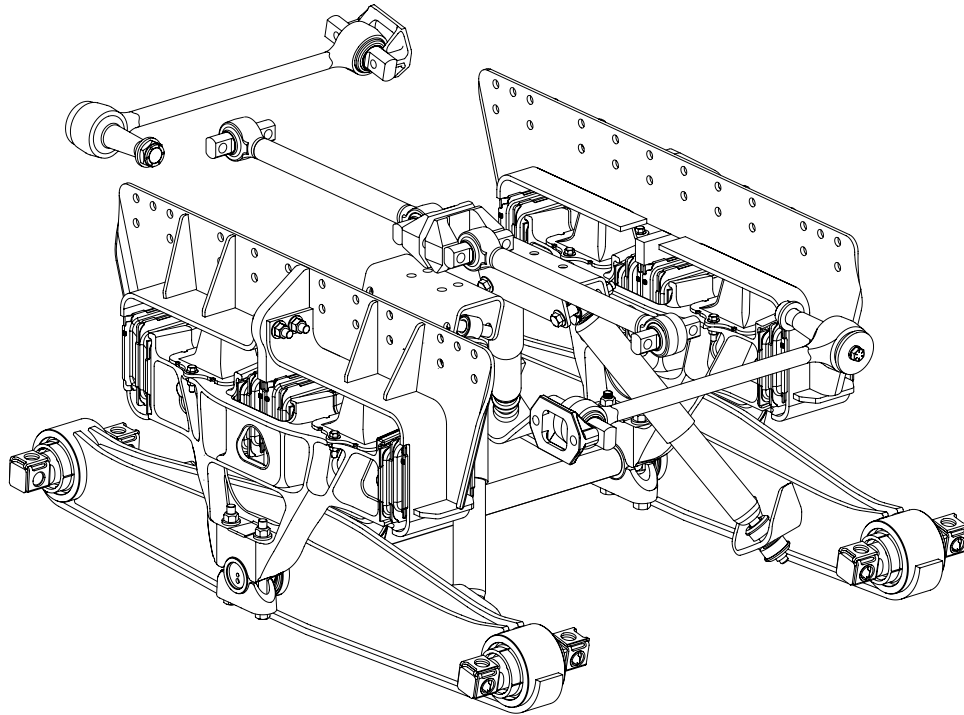
LIT NO: SP-298

DATE: December 2016

REVISION: A

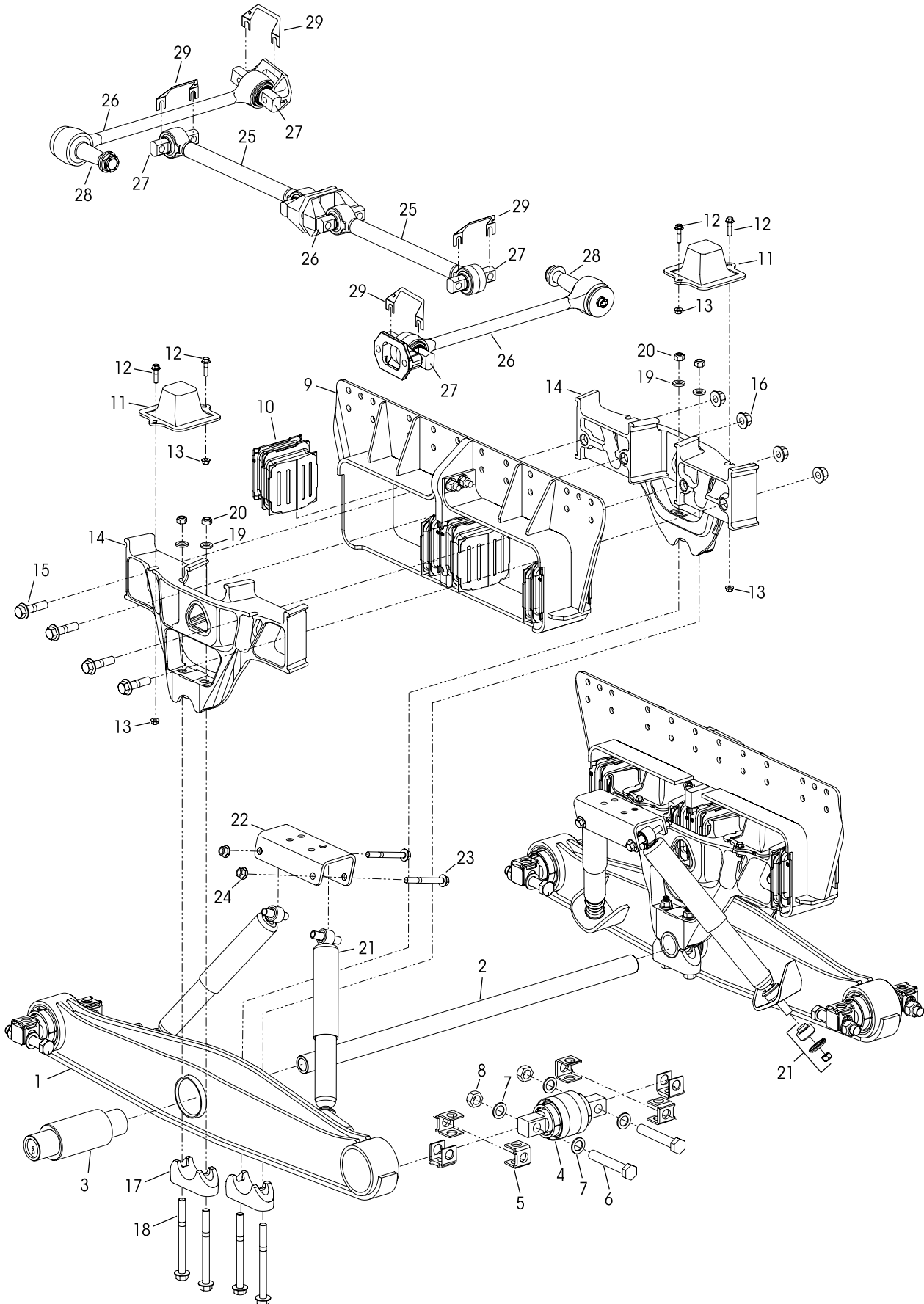
CONTENTS

DESCRIPTION	PAGE
Parts List	2
Special Tools	4





46K SD • 52K Capacity – 9½", 10½", 11½" Ride Height





KEY NO.	PART NO.	DESCRIPTION	VEHICLE QTY.	KEY NO.	PART NO.	DESCRIPTION	VEHICLE QTY.
1		Equalizing Beam Assembly w/Shock Bracket Includes Key Nos. 3-5a	2	10		*Shear Spring	8
	78489-520	52" Beam Length			60961-751	Progressive Load Spring Service Kit, One Side Includes Key Nos. 11-13	
	78489-560	56" Beam Length		11		*Progressive Load Spring	4
	60961-759	Cross Tube Service Kit , Includes Key No. 2 and Weldable Loose Plug			34013-196	Progressive Load Spring Fasteners Service Kit, One Side , Includes Key Nos. 12-13	
2	44642-008	Cross Tube - 1140 mm	1	12		*M10 x 1.5 x 40 mm 6G Flange Bolt	8
	60961-755	Equalizing Beam Bushing Service Kit, One Beam , Includes Key No. 3-4, 6-8, 18-20		13		*M10 x 1.5 Flange Lock Nut	8
3		Center Bushing	2	14	70886-000	Saddle Assembly	4
	60961-752	End Bushing Service Kit, One Wheel End , Includes Key Nos. 4-8			34013-197	Saddle Only Fastener Kit, One Side , Includes Key Nos. 15-16	
4		*Bar Pin End Bushing Assembly, Includes Key No. 5a		15		*M20 x 1.5 x 75 mm Flange Bolt	8
5		Bar Pin Shim	8	16		*M20 x 1.5 Flange Nut	8
	a	50130-000 0.19" / 0.19" Standard		17	77205-001	Saddle Cap, <i>Replaces 77374-001</i>	4
	b	50131-000 0.25" / 0.12" Optional			60961-768	Saddle Cap Fastener Service Kit, One Side , Includes Key Nos. 18-20	
	c	57026-000 0.375" Optional flat shim		18		*M16 x 2 x 6G x 180 mm Flange Bolt	8
		End Bushing Fasteners Kit, One Beam , Includes Key Nos. 6-8		19		*M16 Flat Washer	8
	56659-001	Axle Set		20		*M16 x 2 x 6H Nut	8
	56659-005	One Beam		21		Shock Absorber	4
	34013-104	One Wheel End			60680-015L	9½", 10½" Ride Height	
6		*1"-8 UNC x 6" Bolt	8		60680-016L	10½", 11½" Ride Height	
7		*1" Hardened Washer	16	22	77591-002	Upper Shock Bracket	2
8		*1"-8 UNC Locknut	8		60961-818	Upper Shock Fasteners Service Kit, One Beam , Includes Key Nos. 23-24	
9		Frame Hanger, 34" Width	2	23		*M16 x 2 x 90 mm Flange Bolt	4
		• 7" Axle Drop		24		*M16 x 2 Flange Nut	4
	78592-001	9½" Ride Height		25	92000-XXS	ULTRA ROD® PLUS™ Longitudinal Torque Rod, Straddle/Straddle, Specify Length in mm Includes Key No. 27	2
	78592-002	10½" Ride Height		26	92350-625S	**ULTRA ROD PLUS Torque Rod Transverse Assembly 625 mm, Straddle/Taper, Includes Key Nos. 27-28	2
	78592-004	11½" Ride Height		27	66649-002L	XTRB Straddle Bushing	6
		• 7¾" Axle Drop		28	66649-004L	XTRB Taper Bushing	2
	78592-003	10½" Ride Height		29	49689-000L	Torque Rod Shim	As Req.
	78592-005	11½" Ride Height		30	70867-001	P-80 Lubricant - 10 ml (Not Shown)	As Req.
	60961-749	Shear and Progressive Load Spring Service Kit, One Side , Includes Key Nos. 10-13, 15-16, 18-20, 30					
	60961-750	Shear Spring Service Kit, One Side Includes Key Nos. 10, 15-16, 18-20, 30					

NOTES: * Item included in kit/assembly only, part not sold separately.

** Transverse rods are mandatory for the ULTIMAAX rear suspension regardless of axle spacing.

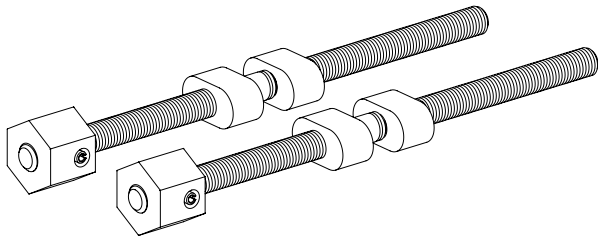
Hendrickson Lit. No. 48422-592 – ULTIMAAX Gauge Card can be used to measure in the unloaded condition the progressive load spring (PLS) height and the length of cut / split and depth of separation of the shear spring and PLS.



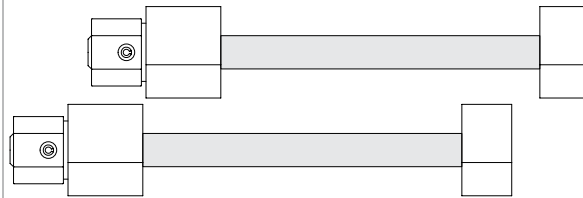
■ Special Tools

SADDLE ASSEMBLY TOOLS

DISASSEMBLY TOOL
Hendrickson Part No. 66086-113L

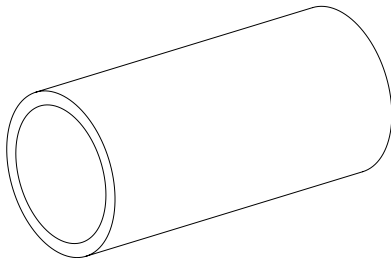


ASSEMBLY TOOL
Hendrickson Part No. 66086-108L

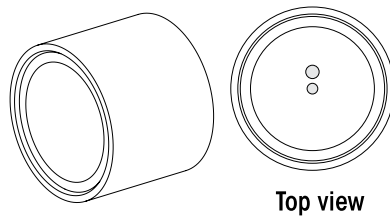


CENTER BUSHING TOOLS

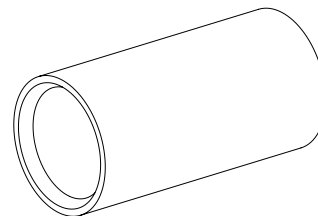
RECEIVING TOOL
Hendrickson Part No. 66086-112



INSTALLATION TOOL
Hendrickson Part No. 66086-107

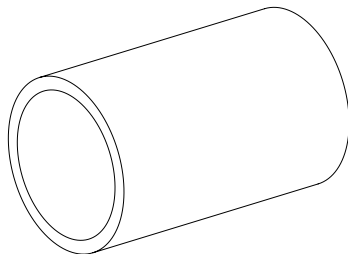


REMOVAL TOOL
Hendrickson Part No. 66086-110

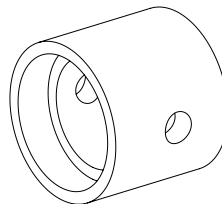


END BUSHING TOOLS

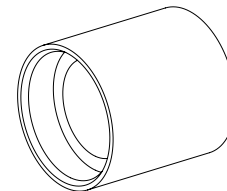
RECEIVING TOOL
Hendrickson Part No. 66086-111



INSTALLATION TOOL
Hendrickson Part No. 66086-106



REMOVAL TOOL
Hendrickson Part No. 66086-109



This is a general parts list to provide directional information. Components may vary by model. Questions in regards to parts, contact Hendrickson Truck Parts at 1.866.755.5968 (Toll-free U.S. and Canada), 630.910.2800 (Outside U.S. and Canada) or e-mail: truckparts@hendrickson-intl.com.

www.hendrickson-intl.com



Truck Commercial Vehicle Systems
800 South Frontage Road
Woodridge, IL 60517-4904 USA

1.866.755.5968 (Toll-free U.S. and Canada)
1.630.910.2800 (Outside U.S. and Canada)
Fax 1.630.910.2899