



**MERITOR**

**Meritor Differential Model RT-48-185 - RR-29-180/185 - Carrier  
A1-3200-J-1752**


Pro Gear parts manual for Meritor Differential Model RT-48-185 - RR-29-180/185 - Carrier A1-3200-J-1752 to assist in identifying the correct configuration of your Meritor 185 Series differential. This Meritor Tandem Rear Axle is built with 46 or 50 Axle spline and ratios available in 3.73 thru 10.62.


If you need any assistance identifying the correct Meritor differential unit for your truck or equipment, contact your Meritor differential replacement specialists at Pro Gear and Transmission.

Pro Gear stocks every part for your Meritor differential. We have 1000's of products in shop that are ready to ship internationally for your next project.

For parts or service contact the Meritor specialists at Pro Gear & Transmission, Inc.

 CALL US

 EMAIL US

 VISIT MODEL PAGE

 VISIT ONLINE STORE

**MERITOR**<sup>®</sup>

An *ArvinMeritor*<sup>™</sup> Brand

180, 185, 186 AND 380 SERIES  
DRIVE AXLE PARTS FOR  
SINGLE AXLES AND TANDEM AXLES



PB-9108  
Revised 10/08

# HOW TO USE THIS CATALOG

- There are 11 basic carriers covered in this catalog:

|             |             |             |
|-------------|-------------|-------------|
| 3200-C-1381 | 3200-K-1753 | 3200-S-1839 |
| 3200-U-1399 | 3200-W-1791 | 3200-A-1899 |
| 3200-M-1625 | 3200-J-1804 | 3200-L-1910 |
| 3200-J-1752 | 3200-M-1833 |             |

Major assembly differences in a carrier are indicated by the different assembly level numbers in front of the base carrier number, for example, A1-3200-J-1804 and A4-3200-J-1804.

NOTE: The carriers listed in this catalog do not include yokes. A yoke is a major assembly difference, so, a carrier sold with a yoke has a different assembly level number than the same carrier without the yoke.

- The charts for carriers, output shafts, and housings include the following information:

- An exploded view of each assembly, keyed to the parts list.
- A description of each part.
- Parts that are sold as assemblies that include other parts.
- Which carriers or axle models the part is used on.
- The quantity of the part used on the carrier or axle.
- The part number of each part.
- Whether the part is available in a kit.

- **Carrier parts:**

Determine which chart and figure (1 or 2) applies to your carrier by using the following sources of information.

- Identification tag installed on the carrier.
- Axle Models-Carriers-Features Chart.
- Pictures and descriptions of the carriers inside the front cover and at the beginning of Chart 1 and Chart 2.

- **Output (thru) shafts:**

This chart covers the output shafts for the forward axles of all tandems. Note that the output shaft assembly or its components are only sold as separate items. The output shaft is not included with the purchase of a carrier or housing.

- **Housing Assemblies and Wheel End Parts:**

This chart covers the housing assemblies and wheel end parts for all axles. The parts are listed according to axle models that are used on 180 and 380 series axles.

- **Axle shafts:**

The axle shafts are grouped in sets (L.H. and R.H.) according to the axle models they are used on. Many axle shafts are used on more than one axle model. The axle shafts are also listed by part number with dimensions.

- **Yokes and Flanges:**

There are four charts that cover full round bearing yokes, wing bearing yokes, Easy Service yokes and flanges. Each chart lists the yokes or flanges used on each model, the yokes and flanges are listed by dimensions.

- **Kits:**

The first chart in this section lists all the kits available for each model axle and carrier. Following that chart, the kits are organized in numerical order.

- **Numerical Parts Index:**

This section lists every part number along with the page(s) on which the part is listed.

## STANDARD CARRIER SUPERCESSION LIST

| ORIGINAL<br>PART NUMBER | REPLACEMENT<br>PART NUMBER |
|-------------------------|----------------------------|
| A54-3200-U-1399         | A1-3200-A-1899             |
| A61-3200-U-1399         | A1-3200-J-1804             |
| A42-3200-M-1625         | A84-3200-M-1833            |
| A53-3200-M-1625         | A58-3200-M-1833            |
| A58-3200-M-1625         | A73-3200-M-1833            |
| A59-3200-M-1625         | A12-3200-M-1833            |
| A60-3200-M-1625         | A74-3200-M-1833            |
| A63-3200-M-1625         | A76-3200-M-1833            |
| A66-3200-M-1625         | A17-3200-M-1833            |
| A83-3200-M-1625         | A36-3200-M-1833            |
| B8-3200-M-1625          | A97-3200-M-1833            |

| ORIGINAL<br>PART NUMBER | REPLACEMENT<br>PART NUMBER |
|-------------------------|----------------------------|
| A-3200-K-1753           | A-3200-J-1752              |
| A1-3200-K-1753          | A1-3200-J-1752             |
| A1-3200-W-1791          | A1-3200-A-1899             |
| A11-3200-M-1833         | A73-3200-M-1833            |
| A13-3200-M-1833         | A74-3200-M-1833            |
| A15-3200-M-1833         | A76-3200-M-1833            |
| A48-3200-M-1833         | A84-3200-M-1833            |
| A1-3200-J-1804          | A1-3200-J-1752             |
| A1-3200-M-1899          | A-3200-J-1752              |
| B5-3200-A-1899          | A-3200-K-1753              |
| B8-3200-A-1899          | A1-3200-K-1753             |

The part number supercessions listed here reflect product improvements made in several key areas. Several of these product improvements are non-interchangeable at the component level, in these cases kits have been developed to ease your transition to the new designs.

The rear-rear and single axle carriers with main diff. lock now have a screw-in type shifter.

The forward-rear carriers with pump now have an internal pump that is also used on the 145 and 160 family axles.

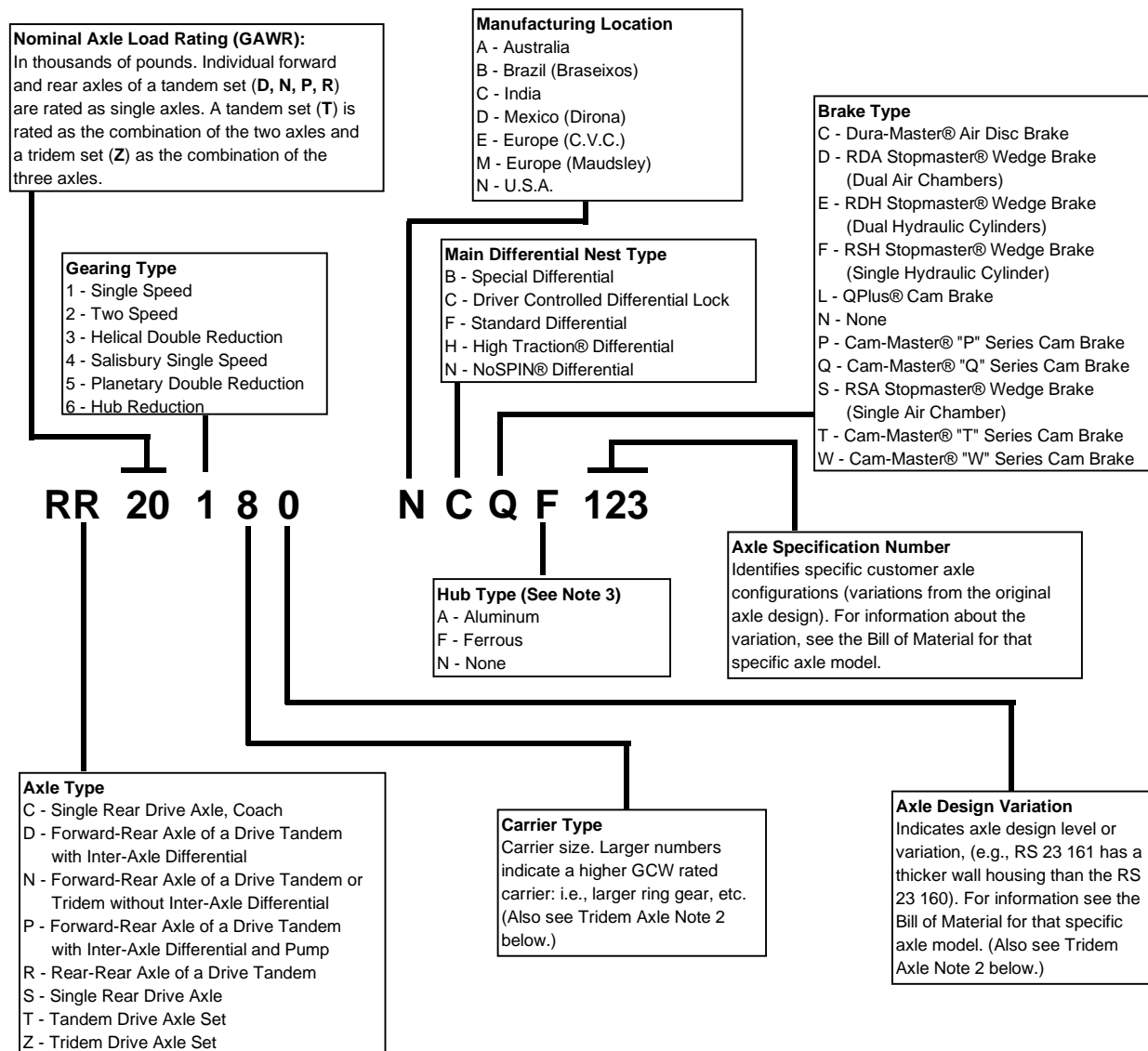
The forward-rear carriers also now have a screw-in type I.A.D. lock shift cylinder.

# Rear Drive Axles

## Model Numbers and Designations

Axle models are identified by a letter and number system. The letters and numbers give important information about the specific axle model.

The first seven positions of the designation identify a basic axle model, while the second group of letters and numbers identify particular specifications.



### NOTE 1:

If a complete axle designation is not required, use the first seven positions of the model designation to identify the basic axle model.

### EXAMPLES OF BASIC AXLE MODELS:

**RS 17 140** - Single Rear Drive, 17,000 lb., Single Speed, 15" Ring Gear, 140 Carrier Model.

**RT 48 380** - Tandem Drive Axle Set, 48,000 lb., Helical Double Reduction, 19.62" Ring Gear, 380 Carrier Model.

**RZ 60 164** - Tridem Drive Axle Set, 60,000 lb., Single Speed, Includes a 150 Series Forward Rear or First Axle and a 145 Series Tandem Axle Set as the Second and Third Axles.

### NOTE 2, FOR TRIDEM AXLES ONLY:

For a Tridem Drive Axle Set (**RZ**), the number in the sixth position designates the carrier in the first axle. The number in the seventh position designates the carriers in the second and third axles.

### NOTE 3:

Some axle designations or specifications do not have a hub type code.

**FIGURE 1**

**FORWARD CARRIERS (180 & 380 LESS IAD & LESS PUMP)**

**ALL REAR CARRIERS FOR 380 SERIES AXLES**

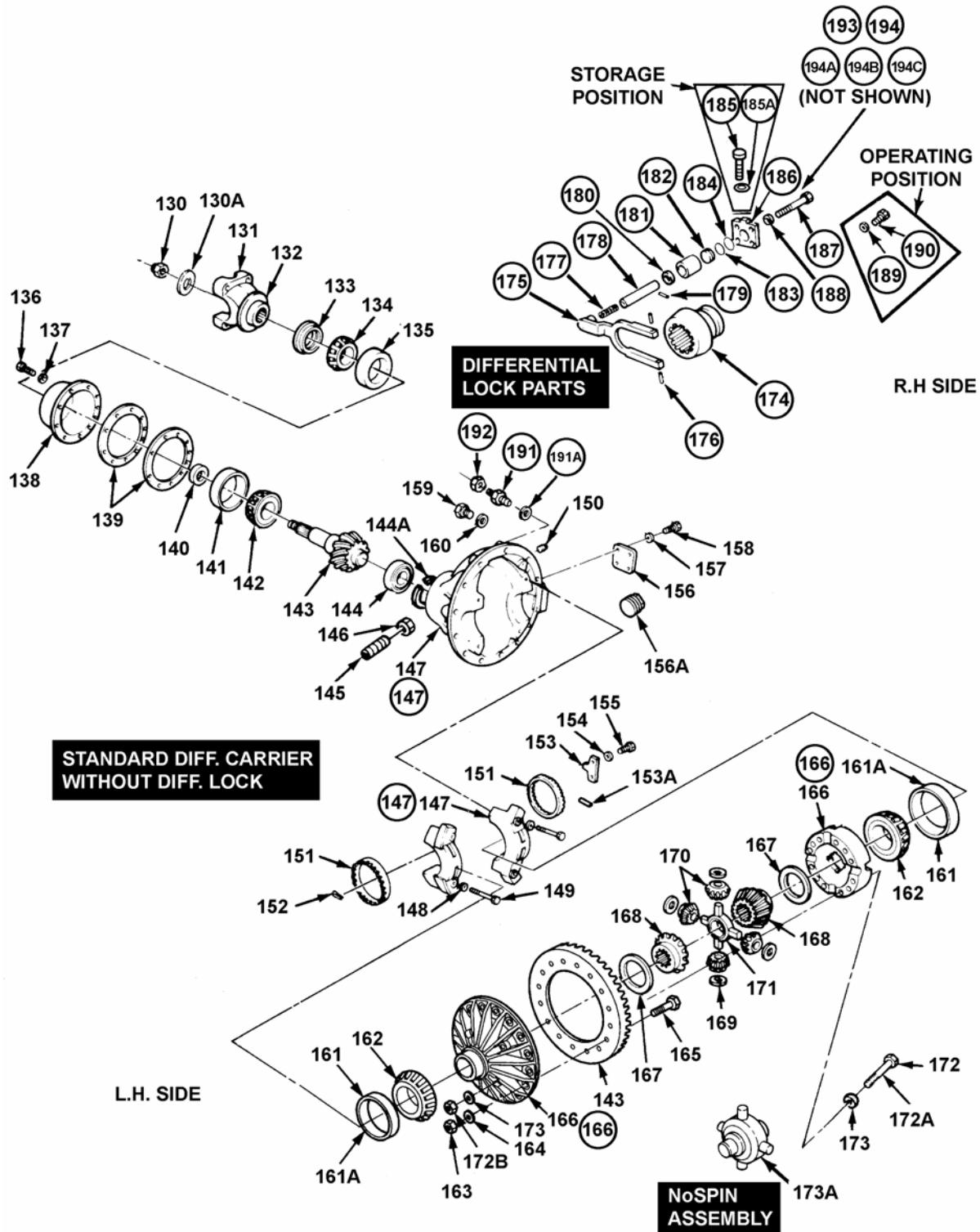


**FIGURE 1A**  
**ALL FORWARD CARRIERS**  
**(180 & 380 WITH IAD & WITH PUMP)**



SEE ITEMS 1-42 ON  
 PREVIOUS ILLUSTRATION FOR  
 MAIN DIFF. & GEARSET PARTS

## FIGURE 2 REAR CARRIERS FOR 180/185/186 SERIES SINGLE AND TANDEM AXLES



• Circled ○ numbers are diff. lock parts or parts that change when diff. lock is added.



# AXLE MODELS - CARRIERS - FEATURES

## 180/185/186 Series Single Reduction Axles

## 380 Series Double Reduction Axles

| AXLE MODELS                                     |   | CARRIERS  | INTER-AXLE DIFF.                        | MAIN DIFF. LOCK | NO SPIN® DIFF. | OIL PUMP | CARRIER PARTS CHART NUMBER |   |
|---|---|---|---|-----------------|----------------|----------|----------------------------|---|
| RS-23-180/185/186                               | Single Axles<br>(single reduction)                          | A1-3200-J-1752 (1)                              |   |                 |                |          | 2                          |   |
| RS-26-180/185<br>RS-30-180/185                  |   | A-3200-J-1752 (1)                               |   | X               |                |          | 2                          |   |
| RS-23-380<br>RS-26-380<br>RS-30-380             | Single Axles<br>(double reduction)<br>2.35 - 46 axle spline | A17-3200-M-1833                                 |   |                 |                |          | 1                          |   |
| RS-38-380                                       | Single Axles<br>(double reduction)<br>2.56 - 50 axle spline | A58-3200-M-1833                                 |   |                 | X              |          | 1                          |   |
|   |   | A12-3200-M-1833                                 |   |                 |                |          | 1                          |   |
| RT-48-180/185<br>RT-52-180/185<br>RT-58-180/185 | Forward   | RP-24-180/185<br>RP-26-180/185<br>RP-29-180/185 | A84-3200-M-1833<br>A74-3200-M-1833      | X<br>X          |                | X<br>X   | 1<br>1                     |   |
|   | Rear  | RR-24-180<br>RR-26-180/185<br>RR-29-180/185     | A1-3200-J-1752 (1)<br>A-3200-J-1752 (1) |                 |                |          | 2<br>2                     |   |
|   |   |   |   |                 | X              |          |                            |   |
| RT-48-380<br>RT-52-380<br>RT-58-380             | Forward   | RP-24-380<br>RP-26-380<br>RP-29-380             | A76-3200-M-1833                         | X               |                |          | X<br>1                     |   |
|   | Rear  | RR-24-380<br>RR-26-380<br>RR-29-380             | A17-3200-M-1833<br>A36-3200-M-1833      |                 |                |          |                            |   |
|   |   |   |   |                 |                | X        | 1                          |   |
| RT-70-380                                       | Forward   | RP-35-380                                       | A73-3200-M-1833                         | X               |                |          | X<br>1                     |   |
|   |   | RN-35-380                                       | A97-3200-M-1833                         |                 |                |          | 1                          |   |
|   | Rear  | RR-35-380                                       | A58-3200-M-1833                         |                 |                | X        |                            | 1 |
|   |   |   | A12-3200-M-1833                         |                 |                |          |                            | 1 |

NOTE: All carriers are less yoke.

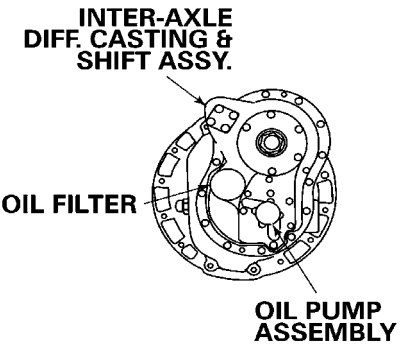
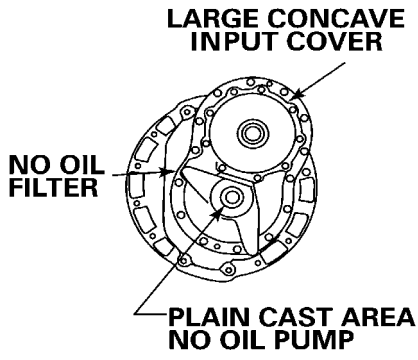
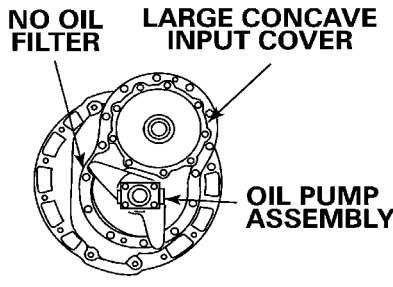
@NoSPIN is a registered trademark of Tractech, a division of Dyneer Corp.

(1) These are 185/186 carriers and require KIT 4744 (carrier to axle housing fasteners) if replacing an 1804 or 1899 carrier with the 1752 or 1753 carrier.

# TABLE OF CONTENTS

|   |           |
|---|-----------|
| <b>FORWARD CARRIERS OF ALL TANDEM AXLES &amp; REAR CARRIERS OF<br/>380 SERIES (DOUBLE REDUCTION) AXLES.....</b> | <b>1</b>  |
| <b>CARRIERS FOR 180/185/186 SERIES SINGLE AXLES &amp; REARS OF<br/>180/185/186 SERIES TANDEM AXLES .....</b>    | <b>8</b>  |
| <b>OUTPUT (THRU) SHAFT ASSEMBLY PARTS.....</b>  | <b>16</b> |
| <b>HOUSING ASSEMBLY PARTS .....</b>   | <b>17</b> |
| <b>AXLE SHAFT SETS FOR 180/185/186/380 SERIES AXLES .....</b>   | <b>19</b> |
| <b>AXLE SHAFTS .....</b>  | <b>21</b> |
| <b>ROUND BEARING TYPE YOKES .....</b>   | <b>24</b> |
| <b>EASY SERVICE (STRAP) TYPE YOKES.....</b>   | <b>25</b> |
| <b>WING BEARING TYPE YOKES.....</b>   | <b>26</b> |
| <b>COMPANION FLANGES.....</b>   | <b>27</b> |
| <b>AXLE MODEL TO CARRIER KIT CROSS REFERENCE .....</b>  | <b>28</b> |
| <b>SERVICE KITS .....</b>   | <b>32</b> |
| <b>NUMERICAL PARTS LISTING .....</b>  | <b>53</b> |

**CHART 1**  
**FORWARD CARRIERS OF ALL TANDEM AXLES**  
**REAR CARRIERS OF 380 SERIES (DOUBLE-REDUCTION) AXLES**  
 (Use with Figures 1 and 1A)

| <b>VISUAL IDENTIFICATION OF CARRIERS</b>   |   |  |
|--|---|--|
|   |    |    |
| <p style="text-align: center;"><b>FORWARD CARRIER WITH IAD AND OIL PUMP</b></p> <p>A42-3200-M-1625<br/>           A58-3200-M-1625<br/>           A60-3200-M-1625<br/>           A63-3200-M-1625<br/>           A11-3200-M-1833<br/>           A13-3200-M-1833<br/>           A15-3200-M-1833<br/>           A73-3200-M-1833<br/>           A74-3200-M-1833<br/>           A76-3200-M-1833<br/>           A84-3200-M-1833</p> | <p style="text-align: center;"><b>FORWARD CARRIER WITHOUT IAD OR OIL PUMP</b></p> <p>A59-3200-M-1625<br/>           A66-3200-M-1625<br/>           B8-3200-M-1625<br/>           B24-3200-M-1625<br/>           A12-3200-M-1833<br/>           A13-3200-M-1833<br/>           A31-3200-M-1833</p> | <p style="text-align: center;"><b>REAR CARRIER WITH OIL PUMP</b></p> <p>A83-3200-M-1625<br/>           A36-3200-M-1833</p> |
|  | <p style="text-align: center;"><b>REAR CARRIER WITHOUT OIL PUMP</b></p> <p>A53-3200-M-1625<br/>           A58-3200-M-1833</p>   |  |

## FORWARD CARRIERS OF ALL TANDEM AXLES REAR CARRIERS OF 380 SERIES (DOUBLE-REDUCTION) AXLES

| ITEM   | DESCRIPTION                            |   | REMARKS   | CARRIER   | QTY | PART NUMBER    |
|--|--|---|---|---|-----|----------------|
| <b>NOTE: ITEMS 1-42 ARE COMMON TO FWD 180 &amp; 380 AND REAR 380</b> |  |   |   |   |     |                |
| 1  | Capscrew - lock plate                  |   |   | All   | 4   | S-256A-2       |
| 2  | Washer - lock plate                    |   |   | All   | 4   | 1229-E-1669    |
| 3  | Lock Plate - adjusting ring            |   |   | All   | 2   | 1220-S-1085    |
| 4  | Adjusting rings - differential bearing |   | RH  | All   | 1   | 2214-M-91      |
|  |  |   | LH  |   |     | 2214-K-89      |
| 5  | Cups - differential bearing            |   | RH - current  | All   | 1   | 52618P         |
|  |  |   | RH - old style  |   |     | KIT 4446 (1)   |
|  |  |   | LH  |   |     | KIT 4445 (1)   |
| 6  | Cones - differential bearing           |   | RH - current  | All   | 1   | 52387P         |
|  |  |   | RH - old style  |   |     | KIT 4446 (1)   |
|  |  |   | LH  |   |     | KIT 4445 (1)   |
| 7  | Nut - main differential case           |   |   | All   | 12  | 1227-M-1339    |
| 8  | Washer - main differential case        |   |   | All   | 12  | 1229-W-1557    |
| 9  | Nut - gear to differential case        |   | Incl. in KIT 2342   | All   | 16  | 1227-N-1340    |
| 10   | Washer - gear to differential case     |   |   | All   | 16  | 1229-U-1555    |
| 11   | Bolt - gear to differential case       |   |   | All   | 16  | 15-X-1700      |
| 12, 7, 8, 19   | Case assembly - main differential      | Sgl. reduction 3.73<br>Sgl. reduction 4.10<br>Sgl. reduction 4.30   |   | DbL. reduction 5.52<br>DbL. reduction 6.07<br>DbL. reduction 6.37 | All | 1              |
|  |  | Sgl. reduction 4.56<br>Sgl. reduction 4.89<br>Sgl. reduction 5.29<br>Sgl. reduction 5.38<br>Sgl. reduction 6.14<br>Sgl. reduction 6.83<br>Sgl. reduction 7.17 | DbL. reduction 6.75<br>DbL. reduction 7.24<br>DbL. reduction 7.83<br>DbL. reduction 7.96<br>DbL. reduction 9.14<br>DbL. reduction 10.12<br>DbL. reduction 10.62 | A-3235-U-1945   |     |                |
| 12, 7, 8, 14, 15, 16, 17, 18, 19                                     | Case & nest assy - main differential   | Sgl. reduction 3.73<br>Sgl. reduction 4.10<br>Sgl. reduction 4.30   | DbL. reduction 5.52<br>DbL. reduction 6.07<br>DbL. reduction 6.37   | All others  | 1   | A6-3235-T-1944 |
|  |  |   |   | RT-70-380   |     | A7-3235-T-1944 |
|  |  |   |   | 2-1/2" -50 spline   |     |                |
|  |  | Sgl. reduction 4.56<br>Sgl. reduction 4.89<br>Sgl. reduction 5.29<br>Sgl. reduction 5.38<br>Sgl. reduction 6.14<br>Sgl. reduction 6.83<br>Sgl. reduction 7.17 | DbL. reduction 6.75<br>DbL. reduction 7.24<br>DbL. reduction 7.83<br>DbL. reduction 7.96<br>DbL. reduction 9.14<br>DbL. reduction 10.12<br>DbL. reduction 10.62 | All others  |     | A6-3235-U-1945 |
|  |  |   | RT-70-380   | A7-3235-U-1945  |     |                |
|  |  |   |   | 2-1/2" -50 spline   |     |                |
| 12, 7, 8, 15A, 19  | Case & NoSPIN assy - main differential | Sgl. reduction 3.73<br>Sgl. reduction 4.10<br>Sgl. reduction 4.30   | DbL. reduction 5.52<br>DbL. reduction 6.07<br>DbL. reduction 6.37   | All others  | 1   | A5-3235-T-1944 |
|  |  |   |   | RT-70-380   |     | A3-3235-T-1944 |
|  |  |   |   | 2-1/2" -50 spline   |     |                |

(1) Update kit

# FORWARD CARRIERS OF ALL TANDEM AXLES REAR CARRIERS OF 380 SERIES (DOUBLE-REDUCTION) AXLES

| ITEM                 | DESCRIPTION                                  |                     | REMARKS  | CARRIER              | QTY | PART NUMBER    |
|----------------------|--|---------------------|--|----------------------|-----|----------------|
| 12, 7, 8,<br>15A, 19 | Case & NoSPIN<br>assy - main<br>differential | Sgl. reduction 4.56 | DbL. reduction 6.75  | All others           | 1   | A5-3235-U-1945 |
|                      |  | Sgl. reduction 4.89 | DbL. reduction 7.24  | RT-70-380            |     | A3-3235-U-1945 |
|                      |  | Sgl. reduction 5.29 | DbL. reduction 7.83  | 2-1/2" -50 spline    |     |                |
|                      |  | Sgl. reduction 5.38 | DbL. reduction 7.96  |                      |     |                |
|                      |  | Sgl. reduction 6.14 | DbL. reduction 9.14  |                      |     |                |
|                      |  | Sgl. reduction 6.83 | DbL. reduction 10.12   |                      |     |                |
|                      |  | Sgl. reduction 7.17 | DbL. reduction 10.62   |                      |     |                |
|                      |  |                     |  |                      |     |                |
| 13, 42               | Drive gear, pinion<br>& nut assembly         | Sgl. reduction 3.73 | DbL. reduction 5.52  | All                  | 1   | B-40352-4      |
|                      |  | Sgl. reduction 4.10 | DbL. reduction 6.07  |                      |     | B-40354-4      |
|                      |  | Sgl. reduction 4.30 | DbL. reduction 6.37  |                      |     | B-40356-4      |
|                      |  | Sgl. reduction 4.56 | DbL. reduction 6.75  |                      |     | B-40358-4      |
|                      |  | Sgl. reduction 4.89 | DbL. reduction 7.24  |                      |     | B-40360-4      |
|                      |  | Sgl. reduction 5.29 | DbL. reduction 7.83  |                      |     | B-40312-4      |
|                      |  | Sgl. reduction 5.38 | DbL. reduction 7.96  |                      |     | B-40362-4      |
|                      |  | Sgl. reduction 6.14 | DbL. reduction 9.14  |                      |     | B-40364-4      |
|                      |  | Sgl. reduction 6.83 | DbL. reduction 10.12   |                      |     | B-40366-4      |
|                      |  | Sgl. reduction 7.17 | DbL. reduction 10.62   |                      |     | B-40368-4      |
| 14                   | Thrust washer - side gear                    |                     |  | All                  | 2   | 1229-L-3002    |
| 15                   | Side gear - differential                     |                     | 2.35" -46 spline   |                      | 2   | 2234-C-1069    |
|                      |  |                     | 2.56" -50 spline   |                      |     | 2234-G-1229    |
| 15A                  | NoSPIN assembly                              |                     | 2.35" -46 spline   |                      | 1   | A-3230-E-1045  |
|                      |  |                     | 2.56" -50 spline   |                      |     | A-3230-N-1028  |
| 16                   | Thrust washer - differential pinion          |                     |  | All                  | 4   | 1229-D-992     |
| 17                   | Gear - differential pinion                   |                     |  | All                  | 4   | 2233-T-1112    |
| 18                   | Spider (cross) - differential                |                     |  | All                  | 1   | 3278-Q-381     |
| 19                   | Bolt - main differential case                |                     | Long   | Pre 4/02             | 8   | 15-X-1699      |
|                      |  |                     | Short  |                      |     | 4              |
|                      |  |                     |  | After 4/02           | 12  | 15-X-1699 (2)  |
| 20, 29,<br>30        | Differential carrier & cap assembly          |                     | One pc. bearing assy.  | All                  | 1   | A2-3200-M-1833 |
|                      |  |                     | Two pc. bearing assy.  |                      |     | A2-3200-M-1625 |
| 21                   | Dowel - helical gear cover to carrier        |                     |  | All                  | 2   | 1246-M-455     |
| 22                   | Plug - oil filter                            |                     |  | All                  | 1   | P-112          |
| 23                   | Screen assembly - oil filter                 |                     |  | All                  | 1   | A-1199-Z-3328  |
| 24                   | Capscrew - carrier to housing                |                     | Ref. only - not incl. with<br>carrier. See housing<br>section for exploded<br>view of housing. |                      | 9   | S-21016-2      |
| 25                   | Washer - carrier to housing                  |                     |  |                      | 14  | 1229-U-1503    |
| 26                   | Nut - carrier to housing stud                |                     |  |                      | 5   | N-110-1        |
| 27                   | Nut - thrust screw jam                       |                     |  | All                  | 1   | 1227-D-472     |
| 28                   | Screw - drive gear thrust                    |                     |  | All                  | 1   | 15-X-1167      |
| 29                   | Washer - differential bearing cap            |                     |  | All                  | 4   | 1229-M-1625    |
| 30                   | Capscrew - differential bearing cap          |                     |  | All                  | 4   | S-11440-2      |
| 31                   | Snap ring - spigot<br>bearing                | One piece bearing   | All other ratios   |                      | 1   | 1229-L-1624    |
|                      |  |                     | Sgl. reduction 6.83  | DbL. reduction 10.12 |     | 1229-K-1623    |
|                      |  | Sgl. reduction 7.17 | DbL. reduction 10.62   |                      |     |                |
|                      |  | Two piece bearing   |  |                      |     | 1229-T-4076    |

(2) Plain half in diff. case changed from 3235-U-1971 to 3235-C-2395.

## FORWARD CARRIERS OF ALL TANDEM AXLES REAR CARRIERS OF 380 SERIES (DOUBLE-REDUCTION) AXLES

| ITEM   | DESCRIPTION   |  | REMARKS                                       | CARRIER                                      | QTY           | PART NUMBER    |
|--|---|--|---|--|---------------|----------------|
| 32, 31   | Bearing - drive pinion spigot (inner & outer race plus snap ring) | Current design one piece bearing                               | All other ratios                              |  | 1             | 1228-S-1267    |
|  |   |  | Sgl. reduction 6.83<br>Sgl. reduction 7.17    | Dbl. reduction 10.12<br>Dbl. reduction 10.62 |               | 1228-A-261     |
|  |   | Old design two pc. brg. Incl. Item 31 (1229-T-4076 snap ring). | All other ratios                              |  |               | A5-1228-R-1266 |
|  |   |  | Sgl. reduction 6.83<br>Sgl. reduction 7.17    | Dbl. reduction 10.12<br>Dbl. reduction 10.62 |               | A4-1228-R-1266 |
| 33   | Cones - drive pinion inner & outer bearing                        |  |   | All  | 2             | 78250AC        |
| 34   | Cups - drive pinion inner & outer bearing                         |  |   | All  | 2             | 78551          |
| 35   | Spacers - pinion bearing  | .326" /8.28mm  | Incl. in KITS 1554, RP180 1625, RP380 & RR380 | All  | Use 2 as req. | 2203-U-7899    |
|  |   | .327" /8.31mm  |   |  |               | 2203-V-7900    |
|  |   | .328" /8.31mm  |   |  |               | 2203-W-7901    |
|  |   | .329" /8.33mm  |   |  |               | 2203-X-7902    |
|  |   | .330" /8.38mm  |   |  |               | 2203-Y-7903    |
|  |   | .331" /8.41mm  |   |  |               | 2203-Z-7904    |
|  |   | .332" /8.43mm  |   |  |               | 2203-A-7905    |
|  |   | .338" /8.59mm  |   |  |               | 2203-B-7906    |
|  |   | .345" /8.76mm  |   |  |               | 2203-C-7907    |
|  |   | .352" /8.94mm  |   |  |               | 2203-D-7908    |
|  |   | .359" /9.12mm  |   |  |               | 2203-E-7909    |
| 36   | Shims - pinion bearing cage                                       | .003" /0.075mm   | Incl. in KITS 2432, RP180 1625, RP380 & RR830 | All  | Use as req.   | 2203-Z-6604    |
|  |   | .005" /0.125mm   |   |  |               | 2203-A-6605    |
|  |   | .010" /0.254mm   |   |  |               | 2203-B-6606    |
| 37, 34   | Pinion bearing cage & cups assembly                               |  |   | All  | 1             | A-3226-Z-598   |
| 38   | Washer - pinion bearing cage                                      |  |   | All  | 9             | 1229-C-1511    |
| 39   | Capscrew - pinion bearing cage                                    |  |   | All  | 9             | 10-X-1669      |
| 40   | Gear - helical driven   | forward-rear   |   | RP-xx-180 carriers                           | 1             | 3892-J-4014    |
|  |   |  |   | RP-xx-380 carriers                           |               | 3892-B-4708    |
|  |   | forward-rear<br>.756 overdrive                                 | RP-180/380                                    | 3892-S-4023                                  |               |                |
|  |   | single axles & rear-rear<br>double reduction                   | RR & RS-xx-380                                | 3892-D-4710                                  |               |                |
| 41   | Washer - drive pinion   |  |   | All  | 1             | 1229-K-2429    |
| 42   | Nut - drive pinion  |  | Incl. in KITS RR380, RP380 & RP180 1625       | All  | 1             | 1227-P-900     |
| <b>NOTE: ITEMS 43-98 ARE USED ONLY IN FWD. CARRIERS WITH IAD &amp; WITH OIL PUMP (180 &amp; 380)</b> |   |  |   |  |               |                |
| 43   | Cup - rear side gear bearing                                      |  | Incl. in KITS RR380, RP380 & RP180 1625       | All  | 1             | JM-515610      |
| 44   | Cone - rear side gear bearing                                     |  |   | All  | 1             | JM-515649      |
| 45   | Side gear - inter-axle differential rear                          |  |   | All  | 1             | 2234-F-890     |
| 46, 47,<br>48, 49  | Case assembly - inter-axle differential                           |  |   | All  | 1             | A1-3235-X-1532 |
| 46, 47,<br>48, 49,<br>50, 51,<br>52  | Case & nest assembly - inter-axle differential                    |  |   | All  | 1             | A-3235-X-1532  |

# FORWARD CARRIERS OF ALL TANDEM AXLES REAR CARRIERS OF 380 SERIES (DOUBLE-REDUCTION) AXLES

| ITEM   | DESCRIPTION                              | REMARKS   | CARRIER                         | QTY                | PART NUMBER    |             |
|--------|--|---|---------------------------------|--------------------|----------------|-------------|
| 47     | Bolt - inter-axle differential case      |   | All                             | 8                  | S-2626-2       |             |
| 48     | Washer - inter-axle differential case    |   | All                             | 16                 | 1229-K-1597    |             |
| 49     | Nut - inter-axle differential case       |   | All                             | 8                  | NL-26-1        |             |
| 50     | Thrust washer - inter-axle pinion        | Incl. in KITS 2421, 2422,                       | All                             | 4                  | 1229-Q-2929    |             |
| 51     | Gear - inter-axle pinion                 | RP180 1625 & RP380                              | All                             | 4                  | 2233-K-245     |             |
| 52     | Spider (cross) - inter-axle differential |   | All                             | 1                  | 3278-N-300     |             |
| 53     | Helical drive & forward side gear        | forward-rear                                    | RP-xx-180 carriers              | 1                  | 3892-W-4963    |             |
|        |  |   | RP-xx-380 carriers              |                    | 3892-Y-4965    |             |
|        |  | forward-rear<br>.756 overdrive                  | RP-180/380                      |                    | 3892-M-5213    |             |
| 54     | Thrust washer - helical drive gear       | Incl. in KITS 2421, 2422,<br>RP180 1625 & RP380 | All                             | 1                  | 1229-L-2742    |             |
| 55     | Input shaft, nut, ball & pin assembly    |   | All after 11/93                 | 1                  | A1-3297-N-1288 |             |
|        |  |   | All prior to 11/93              |                    | A1-3297-K-115  |             |
| 56     | Roll pin - shift fork                    |   | All after 11/93                 | 1                  | Not used       |             |
|        |  |   | All prior to 11/93              |                    | KIT 2268       |             |
| 57     | Shift fork - inter-axle differential     |   | All after 11/93                 | 1                  | 3296-Q-1187    |             |
|        |  |   | All prior to 11/93              |                    | 3296-L-90      |             |
| 58     | Clutch collar - inter-axle differential  |   | All                             | 1                  | 3107-P-16      |             |
| 59     | Adjusting screw - shift shaft            |   | All                             | 1                  | S-2812-2       |             |
| 60     | Jam nut - adjusting screw                |   | All                             | 1                  | N-68-1         |             |
| 61     | Cone - input shaft bearing               | Incl. in KITS 4440,                             | All                             | 1                  | HM-813844      |             |
| 62     | Cup - input shaft bearing                | RP180 1625 & RP380                              | All                             | 1                  | HM-813810      |             |
| 63     | Shims - input shaft bearing cage         | .003" / .076mm                                  | Incl. in KIT 1573 & 2432        | All prior to 11/93 | Use as req.    | 2203-C-6607 |
|        |  |   | Incl. in KIT 2885 & 2886        | All after 11/93    |                | 2203-K-9241 |
|        |  | .005" / .127mm                                  | Incl. in KIT 1573 & 2432        | All prior to 11/93 |                | 2203-D-6608 |
|        |  |   | Incl. in KIT 2885 & 2886        | All after 11/93    |                | 2203-L-9242 |
|        |  | .010" / .254mm                                  | Incl. in KIT 1573 & 2432        | All prior to 11/93 |                | 2203-E-6609 |
|        |  |   | Incl. in KIT 2885 & 2886        | All after 11/93    |                | 2203-M-9243 |
| 64, 62 | Bearing cage & cup assembly - input      |   | All after 11/93                 | 1                  | A-3226-H-1126  |             |
|        |  |   | All prior to 11/93              |                    | A-3226-J-790   |             |
| 64A    | Pressure relief valve - oil              |   | All after to 11/93              | 1                  | 2297-U-5273    |             |
|        |  |   | All prior to 11/93              |                    | 0              | Not used    |
| 64B    | Spring - oil pressure relief valve       |   | All after 11/93                 | 1                  | 2258-Z-1118    |             |
|        |  |   | All prior to 11/93              |                    | 0              | Not used    |
| 64C    | Washer - plug                            |   | 11/93 thru 5/97                 | 1                  | 1229-F-4062    |             |
|        |  |   | All prior to 11/93 & after 5/97 |                    | 0              | Not used    |
| 64D    | Pressure relief plug                     |   | 11/93 thru 5/97                 | 1                  | 1250-N-1080    |             |
|        |  |   | All prior to 11/93 & after 5/97 |                    | 0              | Not used    |
| 65     | Washer - input bearing cage              |   | All after 11/93                 | 7                  | 1229-C-1511    |             |
|        |  |   | All prior to 11/93              |                    | 6              | 1229-C-1511 |

## FORWARD CARRIERS OF ALL TANDEM AXLES REAR CARRIERS OF 380 (DOUBLE-REDUCTION) AXLES

| ITEM | DESCRIPTION                                  | REMARKS   | CARRIER            | QTY             | PART NUMBER                            |
|------|--|---|--------------------|-----------------|--|
| 66   | Capscrew - input bearing cage                |   | All after 11/93    | 7               | S-2814-A2                              |
|      |  |   | All prior to 11/93 | 6               | 10-X-1669                              |
| 67   | Oil seal - input bearing cage                |   | RP-180/380         | 1               | A1-205-X2728                           |
| 68   | Deflector - input yoke                       | Available separately or<br>as an assembly.                              | All                | 1               | See Yoke Charts<br>starting on page 24 |
| 69   | Yoke & deflector assembly - input            |   | All                | 1               |  |
| 70   | Washer - input yoke & shaft                  |   | All                | 1               |  |
| 71   | Nut - input yoke & shaft                     | Incl. in KITS RP180<br>1625 & RP380                                     | All                | 1               | 1227-D-940                             |
| 72   | Cover assembly - helical gear                | Direct drive (1:1) &<br>Reduction (1.48:1)                              | All after 11/93    | 1               | 3266-M-1313                            |
|      |  | Overdrive (.756:1)  |                    |                 | 3266-Q-1317                            |
|      |  | Updates to current<br>design direct drive (1:1)<br>& Reduction (1.48:1) | All prior to 11/93 |                 | KIT 2678                               |
|      |  | Updates to current<br>design overdrive (.756:1)                         |                    |                 | KIT 2679                               |
| 73   | Washer - gear cover to carrier               |   | All                | 14              | 1229-C-1511                            |
| 74   | Capscrew - gear cover to carrier             |   | All                | 14              | S-2812-2                               |
| 75   | Spring - shift shaft return                  |   | All                | 1               | 2258-U-411                             |
| 76   | Shift shaft - inter-axle differential        |   | All after 11/93    | 1               | 2244-K-1025                            |
|      |  |   | All prior to 11/93 |                 | 2297-X-2494                            |
| 77   | Shift assembly - inter-axle differential air |   | All after 11/93    | 1               | A2-3261-Q-1057                         |
|      |  |   | All prior to 11/93 |                 | KIT 2266                               |
| 78   | Capscrew - air shift assembly                |   | All after 11/93    | 0               | Not used                               |
|      |  |   | All prior to 11/93 | 4               | 10-X-1334                              |
| 79   | Capscrew - filter shield                     |   | All after 11/93    | 0               | Not used                               |
|      |  |   | All prior to 11/93 | 2               | S-256P-2                               |
| 80   | Washer - filter shield                       |   | All after 11/93    | 0               | Not used                               |
|      |  |   | All prior to 11/93 | 2               | 1229-E-1669                            |
| 81   | Shield - oil filter                          |   | All after 11/93    | 1               | 3280-Z-8398                            |
|      |  |   | All prior to 11/93 |                 | A-3280-F-8430                          |
| 82   | Filter - oil                                 |   | All after 11/93    | 1               | 3280-V-8394                            |
|      |  |   | All prior to 11/93 |                 | 3280-V-5040                            |
| 83   | Capscrew - oil pump                          | Long  | All prior to 11/93 | 1               | S-2616-2                               |
|      |  | Short   |                    | 6               | S-2610-2                               |
|      |  |   |                    | All after 11/93 | MS-208045-1                            |
| 84   | Washer - oil pump                            |   | All after 11/93    | 6               | 1229-E-1669                            |
|      |  |   | All prior to 11/93 | 7               | 1229-K-1597                            |
| 85   | Oil pump assembly                            | forward-rear  | All after 11/93    | 1               | A-3303-P-1030                          |
|      |  |   | All prior to 11/93 |                 | A1-3303-L-12                           |
| 85A  | O-ring - pump assembly                       |   | All after 11/93    | 2               | 5-X-1034                               |
|      |  |   | All prior to 11/93 | 0               | Not used                               |
| 86   | Gear - pump driven                           |   | All after 11/93    | 0               | Not used                               |
|      |  |   | All prior to 11/93 | 1               | 3892-V-4936                            |



# FORWARD CARRIERS OF ALL TANDEM AXLES REAR CARRIERS OF 380 SERIES (DOUBLE-REDUCTION) AXLES

| ITEM  | DESCRIPTION                        | REMARKS      | CARRIER                                     | QTY | PART NUMBER   |
|---|------------------------------------|--------------|---|-----|---------------|
| 87  | Capscrew - filter adapter          |              | All after 11/93                             | 0   | Not used      |
|   |                                    |              | All prior to 11/93                          | 2   | S-2510-2      |
| 88  | Washer - filter adapter            |              | All after 11/93                             | 0   | Not used      |
|   |                                    |              | All prior to 11/93                          | 2   | 1229-E-1669   |
| 89  | Adapter - oil filter               |              | All after 11/93                             | 1   | 2297-Z-5278   |
|   |                                    |              | All prior to 11/93                          |     | 2297-E-2293   |
| 90  | Plug - gear cover                  |              | All after 11/93                             | 0   | Not used      |
|   |                                    |              | All prior to 11/93                          | 1   | P-16          |
| 91  | O-ring - oil tube to gear cover    |              | All after 11/93                             | 0   | Not used      |
|   |                                    |              | All prior to 11/93                          | 1   | 3780-R-382    |
| 92  | Tube - gear cover oil              |              | All after 11/93                             | 1   | A-2297-D-5334 |
|   |                                    |              | All prior to 11/93                          |     | 3196-B-28     |
| 93  | Pin - oil restriction (not shown)  |              | All after 11/93                             | 0   | Not used      |
|   |                                    |              | All prior to 11/93                          | 1   | 1246-Q-615    |
| 94  | Nut - pump idler shaft             |              | All after 11/93                             | 0   | Not used      |
|   |                                    |              | All prior to 11/93                          | 1   | NL-210-1      |
| 95  | Bearing assembly - pump idler gear |              | All after 11/93                             | 0   | Not used      |
|   |                                    |              | All prior to 11/93                          | 1   | A-1228-Z-572  |
| 96  | Shaft - pump idler gear            |              | All after 11/93                             | 0   | Not used      |
|   |                                    |              | All prior to 11/93                          | 1   | 2297-L-5420   |
| 97  | Gear - pump idler drive            |              | All after 11/93                             | 0   | Not used      |
|   |                                    |              | All prior to 11/93                          | 1   | 3892-W-4937   |
| 98  | Washer - pump idler shaft          |              | All after 11/93                             | 0   | Not used      |
|   |                                    |              | All prior to 11/93                          | 1   | 1829-J-738    |
| <b>NOTE: ITEMS 99-115 ARE USED ONLY IN FWD. CARRIERS W/O IAD OR OIL PUMP AND IN THE REAR CARRIER OF 380 SERIES (DOUBLE REDUCTION) AXLES</b> |                                    |              |   |     |               |
| 99, 115   | Input shaft & nut assembly         | forward-rear | RN-xx-380 carriers                          | 1   | A-3297-M-117  |
|   |                                    | rear-rear    | RR-xx-380 carriers                          |     | A-3297-S-97   |
| 100   | Cones - input shaft bearing        | Inner        | All   | 1   | 29685         |
|   |                                    | Outer        |   |     | 496           |
| 101   | Cups - input shaft bearing         | Inner        | All   | 1   | 29620         |
|   |                                    | Outer        |   |     | 493           |
| 102   | Oil scoop - helical gear cover     |              | All   | 1   | 3221-H-8      |
| 103, 101, 102   | Cover assembly - helical gear      |              | All except rear-rear with pump              | 1   | A1-3266-B-834 |
| 103, 101, 102, 116, 117, 118, 119, 120, 127, 128, 129   | Cover assembly - helical gear      |              | RR-xx-380 carrier (rear-rear) with oil pump | 1   | A-3266-L-792  |
| 104   | Washer - gear cover to carrier     |              | All   | 14  | 1229-C-1511   |

## FORWARD CARRIERS OF ALL TANDEM AXLES REAR CARRIERS OF 380 SERIES (DOUBLE-REDUCTION) AXLES

| ITEM   | DESCRIPTION                        |               | REMARKS                 | CARRIER             | QTY           | PART NUMBER                         |
|--|------------------------------------|---------------|-------------------------|---------------------|---------------|-------------------------------------|
| 105  | Capscrew - gear cover to carrier   |               |                         | All                 | 14            | S-2812-2                            |
| 106  | Spacers - input shaft bearing      | .326" /8.28mm | Incl. in KIT 1554       | All                 | Use 2 as req. | 2203-U-7899                         |
|  |                                    | .327" /8.31mm |                         |                     |               | 2203-V-7900                         |
|  |                                    | .328" /8.33mm |                         |                     |               | 2203-X-7902                         |
|  |                                    | .329" /8.36mm |                         |                     |               | 2203-W-7901                         |
|  |                                    | .330" /8.38mm |                         |                     |               | 2203-Y-7903                         |
|  |                                    | .331" /8.41mm |                         |                     |               | 2203-Z-7904                         |
|  |                                    | .332" /8.43mm |                         |                     |               | 2203-A-7905                         |
|  |                                    | .338" /8.59mm |                         |                     |               | 2203-B-7906                         |
|  |                                    | .345" /8.76mm |                         |                     |               | 2203-C-7907                         |
|  |                                    | .352" /8.94mm |                         |                     |               | 2203-D-7908                         |
| .359" /9.12mm  | 2203-E-7909                        |               |                         |                     |               |                                     |
| 107  | Gear - helical drive               |               |                         | All                 | 1             | 3892-F-4712                         |
| 108  | Cover - input                      |               | forward-rear            | RN-180/380 carriers | 1             | A-3266-Y-831                        |
|  |                                    |               | rear-rear               | RR-xx-380 carriers  |               | A-3266-P-1446                       |
| 109  | Washer - input cover               |               |                         | All                 | 9             | 1229-K-1597                         |
| 110  | Capscrew - input cover             |               |                         | All                 | 9             | S-2610-2                            |
| 111  | Oil seal - input cover             |               | forward-rear            | RN-180/380 carriers | 1             | A1-1205-X-2728                      |
|  |                                    |               | rear-rear               | RR-xx-380 carriers  |               | R945008                             |
| 112  | Deflector - input yoke             |               | Available separately or | All                 | 1             | See Yoke Charts starting on page 24 |
| 113  | Yoke & deflector assembly - input  |               | as an assembly.         | All                 | 1             |                                     |
| 114  | Washer - input yoke & shaft        |               | forward-rear            | RN-180/380 carriers | 1             | 1229-N-1730                         |
|  |                                    |               | rear-rear               | RR-xx-380 carriers  |               | 1229-T-1736                         |
| 115  | Nut - input yoke & shaft           |               | forward-rear            | RN-180/380 carriers | 1             | 1227-D-940                          |
|  |                                    |               | rear-rear               | RR-xx-380 carriers  |               | 1227-J-946                          |
| <b>NOTE: ITEMS 116-129 ARE OIL PUMP COMPONENTS THAT ARE ONLY USED IN REAR CARRIERS</b> |                                    |               |                         |                     |               |                                     |
| 116  | Tube - finished steel 11.88" long  |               | 3/8" OD x .032" wall    |                     | 1             | 3196-U-21                           |
| 117  | Hose clamp                         |               |                         |                     | 4             | 2257-S-1033                         |
| 118  | Hose 3/8" x 2"                     |               |                         |                     | 1             | 2296-F-1098                         |
| 119  | Tube - finished steel .94" radius  |               | 3/8" OD x .032" wall    |                     | 1             | 2296-B-106                          |
| 120  | O-ring                             |               |                         |                     | 1             | 9680368                             |
| 121  | Button - pump drive                |               |                         |                     | 1             | 2297-C-3799                         |
| 122  | Washer - oil pump bolt             |               | 11/32" ID x 5/8" OD     |                     | 3             | 1229-E-1669                         |
| 123  | Bolt - oil pump                    |               | 5/16" dia. x 2.24" long |                     | 3             | S-2518-2                            |
| 124  | Bolt - oil pump                    |               | 3/8" dia. x 2.25" long  |                     | 1             | S-2616-2                            |
| 125  | Washer - oil pump bolt             |               | 13/32" ID x 13/16" OD   |                     | 1             | 1229-B-1666                         |
| 126  | Oil pump assembly                  |               |                         | rear carriers only  | 1             | A-3303-M-13                         |
| 127  | Tube - finished steel .125" radius |               | 7/16" OD x .032" wall   |                     | 1             | 3196-T-20                           |
| 128  | Hose - 7/16" x 2"                  |               |                         |                     | 1             | 2296-G-1099                         |
| 129  | Tube - finished steel 2" long      |               | 7/16" OD x .032" wall   |                     | 1             | 2296-A-105                          |

**CHART 2**  
**CARRIERS FOR 180/185/186 SERIES SINGLE AXLES AND**  
**REARS OF 180/185/186 SERIES TANDEM AXLES**  
 (Use with Figure 2)

| <b>VISUAL IDENTIFICATION OF CARRIERS</b>   |   |
|--|---|
|  |   |
| <p style="text-align: center;"><b>REAR CARRIER WITHOUT DIFF. LOCK</b></p> <p>A5-3200-C-1381 (ALUMINUM)</p> <p>A61-3200-U-1399 (MALLEABLE)</p> <p>A1-3200-K-1752 *</p> <p>A1-3200-K-1753</p> <p>A1-3200-J-1804</p> <p>A7-3200-J-1804</p> <p>A6-3200-S-1839 *</p> <p>B8-3200-A-1899 (185/186 only)</p> | <p style="text-align: center;"><b>REAR CARRIER WITH DIFF. LOCK</b></p> <p>A6-3200-C-1381 (ALUMINUM)</p> <p>A54-3200-U-1399 (MALLEABLE)</p> <p>A1-3200-W-1791</p> <p>A-3200-J-1752 *</p> <p>A-3200-K-1753</p> <p>A1-3200-A-1899</p> <p>B5-3200-A-1899 (185/186 only)</p> <p>B1-3200-L-1910 *</p> |

\* These carriers are equipped with a thrust screw.

## CARRIERS FOR 180/185/186 SERIES SINGLE AXLES & REARS OF 180/185/186 SERIES TANDEM AXLES

| ITEM          | DESCRIPTION                          |                | REMARKS                                    | CARRIER   | QTY           | PART NUMBER                         |
|---------------|--------------------------------------|----------------|--|---|---------------|-------------------------------------|
| 130           | Nut - drive pinion                   |                | Incl. in KIT 2826                          | All   | 1             | 40-X-1233                           |
| 130A          | Washer - pinion nut                  |                |  | All   | 1             | 1229-N-1730                         |
| 131           | Input yoke assembly & deflector      |                |  | All   | 1             | See Yoke Charts starting on page 24 |
| 132           | Deflector - input yoke               |                |  | All   | 1             | 3264-P-172                          |
| 133           | Oil seal - pinion bearing cage assy. |                | Incl. in KIT 4435                          | All   | 1             | A-1205-Q-2591                       |
| 134           | Cone - drive pinion outer bearing    |                |  | All   | 1             | H-715334                            |
| 135           | Cup - drive pinion outer bearing     |                |  | All   | 1             | H-715311                            |
| 136           | Capscrew - pinion bearing cage       |                |  | 1381  | 8             | 41-X-1043                           |
|               |                                      |                |  | All others  |               | MS-212045-1                         |
| 137           | Washer - pinion bearing cage         |                |  | 1899  | 8             | 1229-D-4632                         |
|               |                                      |                |  | All others  |               | MWA-512                             |
| 138, 135, 141 | Pinion bearing cage assembly         |                |  | 1752 & 1753   | 1             | A-3226-V-1010                       |
|               |                                      |                |  | All except 1752 & 1753  |               | A-3226-B-860                        |
| 139           | Shims - pinion bearing cage          | .003" / .075mm | Incl. in KIT 1592                          | All   | Use as req.   | 2803-Y-2755                         |
|               |                                      | .005" / .125mm |  |   |               | 2803-Z-2756                         |
|               |                                      | .008" / .200mm |  |   |               | 2803-A-2757                         |
|               |                                      | .020" / .500mm |  |   |               | 2803-B-2758                         |
| 140           | Spacers - pinion bearing             | .250" / 6.35mm | Incl. in KIT 1593                          | All   | Use 2 as req. | 2803-D-2500                         |
|               |                                      | .251" / 6.38mm |  |   |               | 2803-E-2501                         |
|               |                                      | .252" / 6.40mm |  |   |               | 2803-F-2502                         |
|               |                                      | .254" / 6.45mm |  |   |               | 2803-N-2510                         |
|               |                                      | .256" / 6.50mm |  |   |               | 2803-H-2504                         |
|               |                                      | .260" / 6.60mm |  |   |               | 2803-J-2506                         |
|               |                                      | .261" / 6.63mm |  |   |               | 2803-K-2507                         |
|               |                                      | .262" / 6.65mm |  |   |               | 2803-L-2508                         |
|               |                                      | .263" / 6.68mm |  |   |               | 2803-M-2509                         |
|               |                                      | .264" / 6.70mm |  |   |               | 2803-P-2512                         |
| 141           | Cup - drive pinion inner bearing     |                | Incl. in KIT 4435                          | All   | 1             | 9220                                |
| 142           | Cone - drive pinion inner bearing    |                |  | All   | 1             | 1228-V-594 (3)                      |
| 143, 130      | Drive gear, pinion & nut assembly    | 2.93 ratio     | Use KIT 2608 bolt kit with these gearsets. | All 180/185/186 series rear-rear carriers (except 3.73-4.30 ratios in 1752 & 1753 carriers) | Use 1 as req. | B-41592-1                           |
|               |                                      | 3.07 ratio     |  |   |               | B-41806-1                           |
|               |                                      | 3.21 ratio     |  |   |               | B-41026-3                           |
|               |                                      | 3.42 ratio     |  |   |               | B-41004-3                           |
|               |                                      | 3.58 ratio     |  |   |               | B-41030-3                           |
|               |                                      | 3.73 ratio     |  |   |               | B-41016-3                           |
|               |                                      | 3.91 ratio     |  |   |               | B-41006-3                           |
|               |                                      | 4.10 ratio     |  |   |               | B-41018-3                           |
| 4.30 ratio    | B-41014-3                            |                |  |   |               |                                     |

(3) Timken part no. 9278

# CARRIERS FOR 180/185/186 SERIES SINGLE AXLES & REARS OF 180/185/186 SERIES TANDEM AXLES

| ITEM      | DESCRIPTION                             | REMARKS                              | CARRIER                                    | QTY                                       | PART NUMBER   |                    |
|-----------|---|--------------------------------------|--|---|---------------|--------------------|
| 143, 130  | Drive gear, pinion & nut assembly       | 4.56 ratio                           | Use KIT 2608 bolt kit with these gearsets. | All 180/185/186 series rear-rear carriers | Use 1 as req. | B-41008-3          |
|           |   | 4.89 ratio                           |  |   |               | B-41034-3          |
|           |   | 5.13 ratio                           |  |   |               | B-41010-3          |
|           |   | 5.38 ratio                           |  |   |               | B-41028-3          |
|           |   | 5.63 ratio                           |  |   |               | B-41032-3          |
|           |   | 5.86 ratio                           |  |   |               | B-41012-3          |
|           |   | 6.14 ratio                           |  |   |               | B-41036-3          |
|           |   | 6.43 ratio                           |  |   |               | B-41024-4          |
|           |   | 6.83 ratio                           |  |   |               | B-41022-1          |
|           |   | 7.17 ratio                           |  |   |               | B-41020-1          |
|           |   | 7.40 ratio                           |  |   |               | B-41002-1          |
|           |   | 7.83 ratio                           |  |   |               | B-41650-1          |
| 143 & 130 | Drive gear, pinion & nut assembly       | 3.07 ratio                           |  | 1752 & 1753                               | Use 1 as req. | B-41806-1          |
|           |   | 3.73 ratio                           |  |   |               | A-40636-1          |
|           |   | 3.91 ratio                           |  |   |               | A-40638-1          |
|           |   | 4.10 ratio                           |  |   |               | A-40632-1          |
|           |   | 4.30 ratio                           |  |   |               | A-40634-1          |
| 144       | Bearing - drive pinion spigot           | 6.83, 7.17, 7.40 & 7.83 ratios only  | All  | 1   |               | 1228-A-261         |
|           |   | All other ratios                     |  |   |               | 1228-S-1267        |
| 144A      | Snap ring - drive pinion spigot bearing | 6.83, 7.17, 7.40 & 7.83 ratios only  |  | 1   |               | 1229-K-1623        |
|           |   | All other ratios                     |  |   |               | 1229-L-1624        |
| 145       | Screw - thrust                          |                                      | 1381                                       | 1   |               | 41-X-1020          |
|           |   |                                      | 1752, 1839, 1910                           |   |               | 15-X-1167          |
| 146       | Nut - thrust screw jam                  |                                      | 1381                                       | 1   |               | 40-X-1015          |
|           |   |                                      | 1752, 1839, 1910                           |   |               | 1227-D-472         |
| 147       | Differential carrier & cap assembly     | Aluminum                             |  | 1   |               | A2-3200-C-1381     |
|           |   | Less diff. lock (3.07-4.30 ratios)   | Malleable (original design)                |   |               | KIT 2732           |
|           |   | Less diff. lock (4.56-7.40 ratios)   |  |   |               | KIT 2732A          |
|           |   | Malleable less diff. lock            | 180 & early 185/186 series                 |   |               | A2-3200-J-1804     |
|           |   | Malleable with diff. lock            |  |   |               | A2-3200-A-1899S    |
|           |   | Malleable with or without diff. lock | Current 185/186 series                     |   |               | A2-3200-J-1752 (4) |
|           |   | With diff. lock (3.07-4.30 ratios)   | Malleable (original design)                |   |               | A2-3200-K-1753     |
|           |   | With diff. lock (4.56-7.40 ratios)   |  |   |               | KIT 2731           |
|           |   | KIT 2731A                            |  |   |               |                    |
| 148       | Washer - differential bearing cap       |                                      | All  | 4   |               | 42-X-1024          |

(4) With set screw.

## CARRIERS FOR 180/185/186 SERIES SINGLE AXLES & REARS OF 180/185/186 SERIES TANDEM AXLES

| ITEM | DESCRIPTION                             |           | REMARKS                               | CARRIER   | QTY                 | PART NUMBER |
|------|---|-----------|---------------------------------------|---|---------------------|-------------|
| 149  | Capscrew - differential bearing cap     |           |                                       | Aluminum carriers   | 4                   | 41-X-1037   |
|      |   |           |                                       | Malleable carriers  |                     | 41-X-1018   |
| 150  | Plug                                    |           | Magnetic                              | All   | Use<br>1 as<br>req. | 45-X-1008   |
|      |   |           | Plain                                 |   |                     | 45-X-1003   |
| 151  | Adjusting ring                          |           | Left hand                             | 1752 & 1753   | 1                   | 2214-W-1011 |
|      |   |           | Left hand (small)<br>1804, 1899       | All exc. 1752 & 1753  |                     | 2214-G-1125 |
|      |   |           | Left hand (small)<br>original design  |   |                     | 2214-S-279  |
|      |   |           | Right hand                            | 1752 & 1753   |                     | 2214-X-1012 |
|      |   |           | Right hand (large)<br>1804, 1899      | All exc. 1752 & 1753  |                     | 2214-S-1137 |
|      |   |           | Right hand (large)<br>original design |   |                     | 2214-Q-277  |
| 152  | Cotter pin - adjusting ring left hand   |           |                                       | All exc. 1752 & 1753  | 1                   | 1199-R-2176 |
|      | Locking pin - adjusting ring            |           |                                       | 1752 & 1753   |                     | 43-X-1015   |
| 153  | Lock - adjusting ring right hand        |           |                                       | All   | 1                   | 1220-K-89   |
| 153A | Locking pin - adjusting ring            |           |                                       | 1752 & 1753   | 1                   | 43-X-1015   |
|      | Locking pin - adjusting ring right hand |           |                                       | 1899  |                     | 1246-P-1134 |
| 154  | Washer - adjusting ring lock            |           |                                       | All   | 2                   | MWA-508     |
| 155  | Capscrew - adjusting ring lock          |           |                                       | All   | 2                   | MS-208020-1 |
| 156  | Cover - special carrier                 |           |                                       |   | 1                   | 3266-M-897  |
| 156A | Plug                                    |           |                                       | 1899  | 1                   | 1250-U-1217 |
| 157  | Washer - cover                          |           |                                       | Items 156 thru 160 for<br>1381 & 1399 carriers<br>without differential lock | 4                   | MWA-506     |
| 158  | Capscrew - cover                        |           |                                       |   | 4                   | 41-X-1080   |
| 159  | Plug - special carrier capscrew         |           |                                       |   | 1                   | 41-X-1022   |
| 160  | Washer - plug                           |           |                                       |   | 1                   | 1229-U-1503 |
| 161  | Cups - differential bearing             | LH        |                                       | 1381, 1399, 1539,<br>1752 & 1753 only                                       | 1                   | JHM-720210  |
|      |   | RH        |                                       | All others  |                     | KIT 2744    |
|      | 1381, 1399, 1539,<br>1752 & 1753 only   |           |                                       | 64700   |                     |             |
|      | All others                              | JM-822010 |                                       |   |                     |             |

# CARRIERS FOR 180/185/186 SERIES SINGLE AXLES & REARS OF 180/185/186 SERIES TANDEM AXLES

| ITEM  | DESCRIPTION                       |                                       | REMARKS   | CARRIER   | QTY   | PART NUMBER     |
|---|-----------------------------------|---------------------------------------|---|---|---|-----------------|
| 161A  | Adhesive - bearing cap            |                                       | Not shown. 2 tubes<br>5cc each. (One tube<br>per bearing.)  | All   | 1   | 2297-T-4180     |
| 162   | Cones - differential<br>bearing   | LH                                    |   | 1381, 1399, 1539,<br>1752 & 1753 only                           | 1   | JHM-720249      |
|   |                                   |                                       |   | All others  |   | KIT 2744        |
|   | RH                                | 1381, 1399, 1539,<br>1752 & 1753 only |   | 64450   |   |                 |
|   |                                   | All others                            |   | JM-822049   |   |                 |
| 163   | Nut - differential case to gear   |                                       |   | All   | 16  | 40-X-1182       |
| 164   | Washer - plug                     |                                       |   | 1899  | 16  | 1229-W-1557     |
|   |                                   |                                       |   | All others  |   | 1229-U-1503 (5) |
| 165   | Bolt - differential case to gear  |                                       | Used in KIT 1594  | All others (6)  | 16  | 41-X-1358       |
|   |                                   |                                       | Used in KIT 2608  | 1753, 1804, 1899  |   | 41-X-1334       |
| 166, 167,<br>168, 169,<br>170, 171,<br>172,<br>172A,<br>173 | Differential case & nest assembly |                                       | 2.93, 3.07, 3.21, 3.42,<br>3.58 ratios                      | 1752 & 1753 with or<br>without diff. lock<br>(2.35" -46 spline) | 1   | A1-3235-Y-2339  |
|   |                                   |                                       |   | 1752 & 1753 with or<br>without diff. lock<br>(2.56" -50 spline) |   | A2-3235-Y-2339  |
|   |                                   |                                       | 2.93, 3.08, 3.21, 3.42,<br>3.58, 3.91, 4.10, 4.30<br>ratios | 1381 & 1399   | A5-3235-F-1618  |                 |
|   |                                   |                                       |   | 1791 & 1899 with diff.<br>lock (2.35" -46 spline)               | A3-3235-K-2143  |                 |
|   |                                   |                                       |   | 1791 & 1899 with diff.<br>lock (2.56" -50 spline)               | A7-3235-K-2143  |                 |
|   |                                   |                                       |   | 1804 less diff. lock<br>(2.35" -46 spline)                      | A2-3235-K-2143  |                 |
|   |                                   |                                       |   | 1804 less diff. lock<br>(2.56" -50 spline)                      | A5-3235-K-2143  |                 |
|   |                                   |                                       |   | 3.73, 3.91, 4.10, 4.30<br>ratios                                | 1752 & 1753 with or<br>without diff. lock<br>(2.35" -46 spline) | A1-3235-U-2335  |
|   |                                   |                                       |   | 1752 & 1753 with or<br>without diff. lock<br>(2.56" -50 spline) | A2-3235-U-2335  |                 |

(5) Can use 1229-W-1557 or MWA-516.

(6) Some 1399 carriers require KIT 2601 for chamfered ring gear mounting holes.

## CARRIERS FOR 180/185/186 SERIES SINGLE AXLES & REARS OF 180/185/186 SERIES TANDEM AXLES

| ITEM   | DESCRIPTION                               | REMARKS  | CARRIER   | QTY | PART NUMBER                |
|--|---|--|---|-----|----------------------------|
| 166, 167,<br>168, 169,<br>170, 171,<br>172,<br>172A,<br>173                            | Differential case & nest assembly         | 4.56, 4.89, 5.13, 5.38,<br>5.63, 5.86, 6.14, 6.43,<br>6.83, 7.17, 7.40, 7.83<br>ratios | 1381 & 1399   | 1   | A3-3235-H-1620             |
|  |   |  | 1752 & 1753 with or<br>without diff. lock<br>(2.35" -46 spline) |     | A1-3235-W-2337             |
|  |   |  | 1752 & 1753 with or<br>without diff. lock<br>(2.56" -50 spline) |     | A2-3235-W-2337             |
|  |   |  | 1791 & 1899 with diff.<br>lock (2.35" -46 spline)               |     | A2-3235-M-2145             |
|  |   |  | 1791 & 1899 with diff.<br>lock (2.56" -50 spline)               |     | A7-3235-M-2145             |
|  |   |  | 1804 less diff. lock<br>(2.35" -46 spline)                      |     | A3-3235-M-2145             |
|  |   |  | 1804 less diff. lock<br>(2.56" -50 spline)                      |     | A5-3235-M-2145             |
|  |   |  | 166, 172,<br>172A,<br>173                                       |     | Differential case assembly |
| 1381 & 1399  | A-3235-F-1618                             |  |   |     |                            |
| 2.93, 3.08, 3.21, 3.42,<br>3.58, 3.91, 4.10, 4.30<br>ratios                            | 1791 & 1899 with diff.<br>lock            | A1-3235-K-2143   |   |     |                            |
|  | 1804 less diff. lock                      | A-3235-K-2143  |   |     |                            |
| 3.73, 3.91, 4.10, 4.30<br>ratios   | 1752 & 1753 with or<br>without diff. lock | A-3235-U-2335  |   |     |                            |
| 4.56, 4.89, 5.13, 5.38,<br>5.63, 5.86, 6.14, 6.43,<br>6.83, 7.17, 7.40, 7.83<br>ratios | 1381 & 1399                               | A-3235-H-1620  |   |     |                            |
|  | 1752 & 1753 with or<br>without diff. lock | A-3235-W-2337  |   |     |                            |
|  | 1791 & 1899 with diff.<br>lock            | A-3235-M-2145  |   |     |                            |
|  | 1804 less diff. lock                      | A1-3235-M-2145   |   |     |                            |
| 166, 172,<br>172A,<br>173,<br>173A   | Differential case & NoSPIN assembly       | 2.93, 3.08, 3.21, 3.42,<br>3.58, 3.91, 4.10, 4.30<br>ratios                            | 1381 & 1399   | 1   | A6-3235-F-1618             |
|  |   |  | 1804 less diff. lock<br>(2.35" -46 spline)                      |     | A4-3235-K-2143             |
|  |   | 4.56, 4.89, 5.13, 5.38,<br>5.63, 5.86, 6.14, 6.43,<br>6.83, 7.17, 7.40, 7.83<br>ratios | 1381 & 1399   |     | A5-3235-H-1620             |
|  |   |  | 1804 less diff. lock<br>(2.35" -46 spline)                      |     | A4-3235-M-2145             |
|  |   | 1804 less diff. lock<br>(2.56" -50 spline)   | A6-3235-M-2145  |     |                            |
|  |   | 167  | Thrust washer - side gear                                       |     |                            |
| 168  | Side gear - differential                  | Incl. in KIT 2318  | 2.35" -46 spline  | 2   | 2234-C-1069                |
|  |   | Incl. in KIT 2373  | 2.56" -50 spline  | 1   | 2234-P-1004                |
| 169  | Thrust washer - differential pinion       |  | All   | 4   | 1229-K-3001                |
| 170  | Gear - differential pinion                |  | All   | 4   | 2233-M-1001                |
| 171  | Spider - differential                     |  | All   | 1   | 3278-W-335                 |



# CARRIERS FOR 180/185/186 SERIES SINGLE AXLES & REARS OF 180/185/186 SERIES TANDEM AXLES

| ITEM   | DESCRIPTION                           | REMARKS                                 | CARRIER           | QTY | PART NUMBER   |
|--|---------------------------------------|---|-------------------|-----|---------------|
| 172  | Capscrew - differential case          |   | All others        | 12  | 41-X-1275     |
|  |                                       |   | Thru-bolt design  | 4   | 41-X-1109     |
|  |                                       |   |                   | 8   | 41-X-1275     |
| 172A   | Thread locking liquid                 | Use on Item 172                         | All               | 1   | 2297-C-7049   |
| 172B   | Nut                                   |   | 1899              | 4   | 40-X-1182     |
| 173  | Washer                                |   | 1899              | 16  | 1229-W-1557   |
|  |                                       |   | All others        | 12  | 1229-U-1503   |
| 173A   | NoSPIN Assembly                       |   | 2.35" -46 spline  | 1   | A-3230-C-1043 |
|  |                                       |   | 2.56" -50 spline  |     | A-3230-A-1041 |
| <b>NOTE: ITEMS 174-194 ARE FOR CARRIERS WITH DIFFERENTIAL LOCK</b> |                                       |   |                   |     |               |
| 174  | Shift collar                          | 2.35" -46 spline                        | 1752 & 1753       | 1   | 3107-A-1041   |
|  |                                       |   | All others        |     | 3107-L-1104   |
|  |                                       | 2.37" -46 spline                        | 1381 & 1399       |     | 3107-Z-78     |
|  |                                       | 2.56" -50 spline                        | 1752 & 1753       |     | 3107-V-1010   |
|  |                                       |   | All others        |     | 3107-N-1106   |
| 175  | Shift fork                            | One pc. style                           | 1381, 1399, 1791  | 1   | 3296-N-1184   |
|  |                                       |   | 1752 & 1753       |     | 3296-A-1197   |
|  |                                       |   | 1899              |     | 3296-D-1174   |
| 176  | Pin - shift fork                      | Used with 3 pc. style fork (3296-V-178) | 1381 & 1399       | 2   | 43-X-1007     |
|  |                                       |   | All others        |     | 0             |
| 177  | Spring - shift shaft                  |   | 1899              | 1   | 2258-N-1262   |
|  |                                       |   | All others        |     | 2258-L-714    |
| 178  | Shift shaft                           |   | 1752 & 1753       | 1   | 2244-Z-52     |
|  |                                       |   | 1899              |     | 2244-V-1114   |
|  |                                       |   | All others        |     | 2244-Y-51     |
| 179  | Pin - shift shaft                     |   | 1899              | 0   | Not used      |
|  |                                       |   | All others        |     | 1             |
| 180  | Washer - piston                       |   | 1752, 1753 & 1899 | 0   | Not used      |
|  |                                       |   | All others        |     | 1             |
| 181  | Tube - air cylinder                   |   | 1899              | 1   | 3261-A-1067   |
|  |                                       |   | All others        |     | 3196-F-32     |
| 182  | Piston                                |   | 1899              | 1   | 2230-T-1190   |
|  |                                       |   | All others        |     | 2230-N-170    |
| 183  | O-ring                                |   | 1899              | 1   | 5-X-1198      |
|  |                                       |   | All others        |     | 5-X-1153      |
| 184  | Gasket - cylinder cover               |   | 1899              | 0   | Not used      |
|  |                                       |   | All others        |     | 1             |
| 185  | Capscrew - manual engaging (shipping) |   | 1899              | 1   | 41-X-1368     |
|  |                                       |   | All others        |     | 41-X-1333     |
| 185A   | O-ring                                |   | 1899              | 1   | 5-X-521       |
| 186  | Cover cylinder                        |   | 1899              | 0   | See Item 181  |
|  |                                       |   | All others        |     | 1             |

## CARRIERS FOR 180/185/186 SERIES SINGLE AXLES & REARS OF 180/185/186 SERIES TANDEM AXLES

| ITEM | DESCRIPTION                    | REMARKS  | CARRIER  | QTY | PART NUMBER         |
|------|--------------------------------|--|--|-----|---------------------|
| 187  | Capscrew - cylinder cover      |  | 1899   | 0   | Not used            |
|      |                                |  | All others                                       | 4   | 41-X-1364           |
| 188  | Washer - cylinder cover        |  | 1899   | 0   | Not used            |
|      |                                |  | All others                                       | 4   | MWA-506             |
| 189  | Gasket - plug                  |  | 1899   | 0   | Not used            |
|      |                                |  | All others                                       | 1   | 2208-L-1000         |
| 190  | Plug - cylinder cover          |  | 1899   | 0   | Not used            |
|      |                                |  | All others                                       | 1   | MS-210016-1         |
| 191  | Switch - sensor                |  | All  | 1   | 3237-W-1167         |
| 191A | Washer - sensor switch         |  | 1752 & 1753                                      | 2   | 1229-U-1503         |
| 192  | Nut - sensor switch            |  | 1752, 1753 & 1899                                | 0   | Not used            |
|      |                                |  | All others                                       | 1   | 1227-P-1056         |
| 193  | Adaptor - cylinder cover       | Converts old metric covers to use American standard threads. |  | 1   | No longer available |
| 194  | Gasket - adapter               | Only used with Item 193                                      |  | 1   | 2208-L-1000         |
| 194A | Cover - cylinder hole          |  | For carriers with DCDL bolt holes, but less DCDL | 1   | 3266-M-897          |
| 194B | Capscrew - cylinder hole cover |  |  | 4   | 41-X-1080           |
| 194C | Washer - cylinder hole cover   |  |  | 4   | MWA-516             |

If you detect any **errors** in this catalog, please let us know.

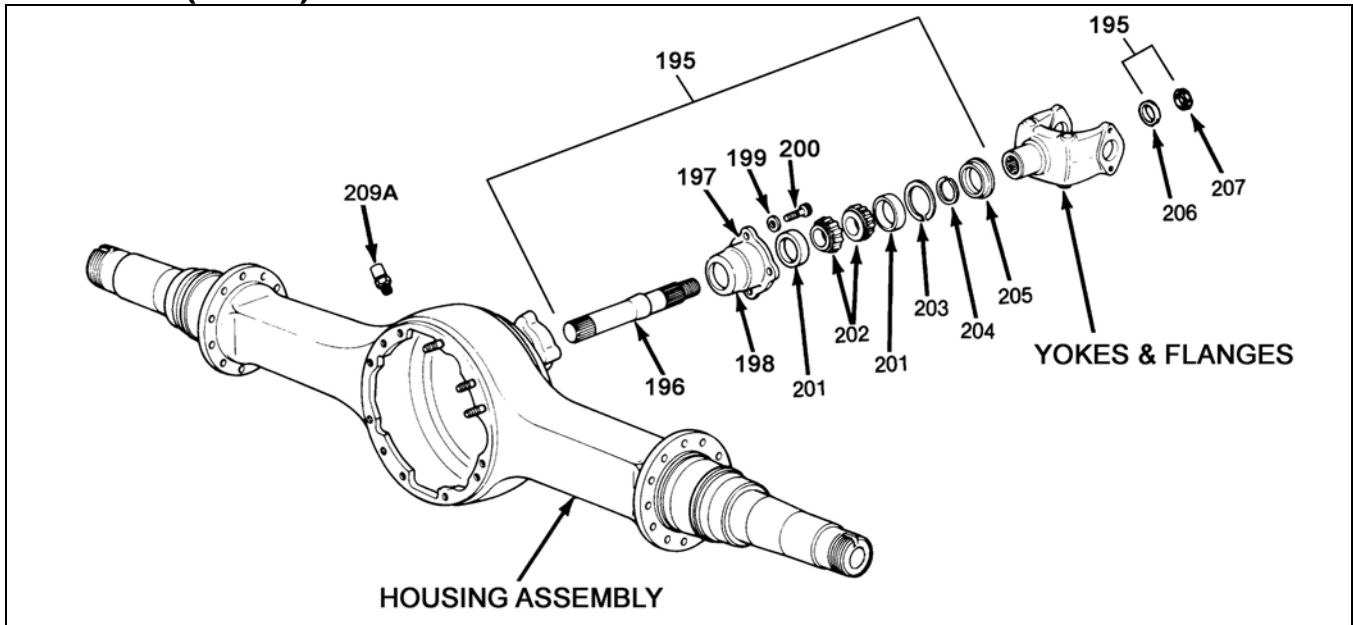


We want the information to be as accurate as possible; we appreciate your help in making it so.

Please e-mail any comments/suggestions/corrections to us at: [catalogfeedback@arvinmeritor.com](mailto:catalogfeedback@arvinmeritor.com)

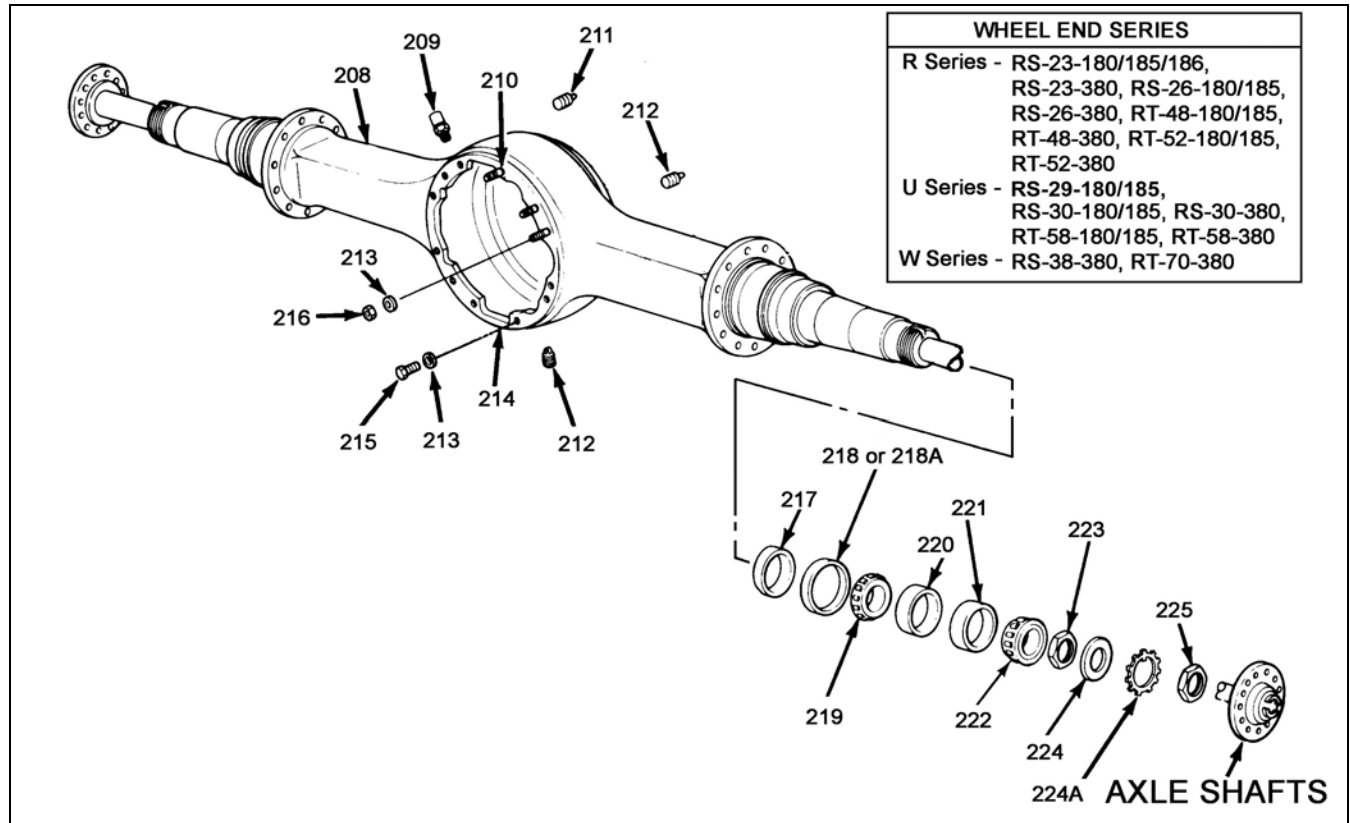
or mail to: ArvinMeritor  
attn: Catalog Dept.  
7975 Dixie Highway  
Florence, KY 41042

# OUTPUT (THRU) SHAFT ASSEMBLY PARTS



| ITEM   | DESCRIPTION   | REMARKS                        | AXLE MODEL              | QTY                 | PART NUMBER   |
|--|---|--------------------------------|-------------------------|---------------------|---|
| 195, 196, 198, 201, 202, 203, 204, 205, 206, 207 | Output (thru) shaft, bearing cage and seal assembly |                                | All                     | 1                   | A1-3226-Q-901   |
| 196  | Shaft - output (thru)                               |                                | All                     | 1                   | 3297-W-75   |
| 197  | Silastic gasket material (not shown)                | Use as gasket for Item 198     | All                     | 1                   | 2297-A-7021   |
| 198  | Bearing cage & inner cup assembly                   | Includes one piece of Item 201 | All                     | 1                   | A-3226-Q-901  |
| 199  | Washer - output bearing cage                        |                                | All                     | 6                   | 1229-E-1513   |
| 200  | Capscrew - output bearing cage                      |                                | All others<br>RT-70-380 | 6                   | S-2711-2<br>S-2710-2  |
| 201  | Cups - inner & outer output bearing                 |                                | All                     | 2                   | 382A  |
| 202  | Cones - inner & outer output bearing                |                                | All                     | 2                   | 385A  |
| 203  | Snap ring (spacer) output bearing                   | Incl. in KIT 1536              | All                     | Use<br>1 as<br>req. | 1229-L-2430<br>1229-M-2431<br>1229-N-2432<br>1229-P-2434<br>1229-Q-2435<br>1229-R-2436<br>1229-S-2437<br>1229-T-2438<br>1229-U-2439 |
| 204  | Snap ring spacer - output bearing yoke              |                                | All                     | 1                   | 1229-T-3062   |
| 205  | Oil seal assembly                                   |                                | All                     | 1                   | A-1205-C-1927   |
| 206  | Washer - output yoke and shaft                      |                                | All                     | 1                   | 1229-T-1736   |
| 207  | Nut - output yoke and shaft                         |                                | All                     | 1                   | 1227-J-946  |
| 209A   | Breather assembly - housing                         |                                | All                     | 1                   | A-1199-W-4053   |

# HOUSING ASSEMBLY PARTS



| ITEM | DESCRIPTION                   | REMARKS   | AXLE OR WHEEL END            | QTY | PART NUMBER   |
|------|-------------------------------|---|------------------------------|-----|---------------|
| 208  | Axle housing assembly         |   | All                          | 1   | As specified  |
| 209  | Breather assembly - housing   |   | All                          | 1   | A-1199-R-4048 |
| 210  | Stud - housing to carrier     | All others  | Total of five studs required | 2   | 4-X-1051      |
|      |                               | Single and tandem rears of 180/185/186 series axles |                              | 2   | SN-1036-1     |
|      |                               |   |                              | 1   | SN-1020-1     |
|      |                               |   |                              | 4   | 4-X-1929      |
| 211  | Plug - heat indicator         |   | All                          | 1   | P-28S         |
| 212  | Plug - oil fill & drain       |   | Magnetic                     | 2   | 1250-E-473    |
|      |                               |   | Standard                     |     | P-212         |
| 213  | Washer - carrier to housing   |   | All                          | 14  | 1229-W-1557   |
| 214  | Silastic gasket material      |   | All                          | 1   | 2297-A-7021   |
| 215  | Capscrew - carrier to housing | All others  | Incl. in KIT 2673            | 9   | 10-X-1595     |
|      |                               | Single and tandem rears of 180/185/186 series axles |                              | 4   | 10-X-1596     |
|      |                               |   |                              | 6   | 10-X-1601     |
|      |                               | Single RS/RR185/186 using 1752 or 1753 carriers     | Incl. in KIT 4744            | 4   | 10-X-1595     |
|      |                               |   |                              | 2   | 10-X-1597     |
|      |                               |   |                              | 4   | 10-X-1599     |

## HOUSING ASSEMBLY PARTS

| ITEM | DESCRIPTION                        | REMARKS   | AXLE OR WHEEL END | QTY | PART NUMBER      |
|------|------------------------------------|---|-------------------|-----|------------------|
| 216  | Nut - carrier to housing           | All others  |                   | 5   | N-110-1          |
|      |                                    | Single and tandem<br>rears of 180/185/186<br>series axles |                   | 4   | N-110-1          |
| 217  | Wiper - housing spindle oil seal   | Optional item. Use<br>with standard oil seal              | R                 | 2   | 1199-B-1666      |
|      |                                    |   | U                 |     | 1244-U-879       |
|      |                                    |   | W                 |     | 2245-E-31        |
| 218  | Oil seal assembly inner            | Standard oil seal, use<br>with Item 217                   | U                 | 2   | A-1205-Z-1820    |
|      |                                    |   | W                 |     | A-1205-S-1657    |
| 218A | Oil seal assembly                  | Unitized oil seal<br>(wiper built in)                     | R                 | 2   | A-1205-R-2410    |
| 219  | Cone - inner wheel bearing         |   | R                 | 2   | 598A             |
|      |                                    |   | U & W             |     | 782              |
| 220  | Cup - inner wheel bearing          |   | R                 | 2   | 592A             |
|      |                                    |   | U & W             |     | 772              |
| 221  | Cup - outer wheel bearing          |   | R                 | 2   | 572              |
|      |                                    |   | U                 |     | 742              |
|      |                                    |   | W                 |     | 6535             |
| 222  | Cone - outer wheel bearing         |   | R                 | 2   | 580              |
|      |                                    |   | U                 |     | 749              |
|      |                                    |   | W                 |     | 6580             |
| 223  | Nut - inner wheel bearing adjuster |   | R & U             | 2   | 1227-W-517       |
|      |                                    |   | W                 |     | 1227-A-547       |
| 224  | Lockwasher - adjuster nut          |   | R & U             | 2   | 1229-F-4634S (7) |
|      |                                    |   | W                 |     | 1229-V-48        |
| 224A | Washer - tanged lock               |   | R & U             | 2   | 1229-F-4634S (7) |
| 225  | Nut - outer wheel bearing (jam)    |   | R & U             | 2   | 1227-R-330       |
|      |                                    |   | W                 |     | 1227-F-448       |

# MERITOR

an **ArvinMeritor** brand

(7) Includes 1 tanged washer and 1 lockwasher.

## AXLE SHAFT SETS FOR 180/185/186/380 SERIES AXLES

| LEFT HAND | RIGHT HAND |
|-----------|------------|
|-----------|------------|

| <b>RS-23-180/185/186</b> Single Axle |             |
|--------------------------------------|-------------|
| 3202-W-7745                          | 3202-H-8666 |
| 3202-W-7745                          | 3202-Y-8111 |
| 3202-X-9098                          | 3202-W-9097 |
| 3202-W-9149                          | 3202-V-9148 |
| 3202-W-9149                          | 3202-G-9159 |
| 3202-K-9267                          | 3202-L-9372 |
| 3202-E-9391                          | 3202-F-9392 |
| 3202-E-9391                          | 3202-S-6779 |
| 3202-K-9579                          | 3202-M-9581 |
| 3202-K-9579                          | 3202-L-9580 |
| 3202-W-9643                          | 3202-Y-9645 |

| <b>RS-23-380</b> Single Axle |             |
|------------------------------|-------------|
| 3202-H-6768                  | 3202-W-7745 |
| 3202-S-6779                  | 3202-R-6778 |
| 3202-G-9497                  | 3202-K-9501 |

| <b>RP-24-180/185</b> Forward of RT-48-180 Tandem |             |
|--|-------------|
| 3202-H-6768                                      | 3202-W-7745 |
| 3202-S-6779                                      | 3202-R-6778 |
| 3202-F-9496                                      | 3202-E-9495 |

| Rear of RT-48-180 Tandem |             |
|--------------------------|-------------|
| 3202-Y-9125              | 3202-C-9129 |
| 3202-Y-9125              | 3202-J-9396 |
| 3202-J-9344              | 3202-L-9346 |
| 3202-J-9344              | 3202-J-9552 |
| 3202-L-9346              | 3202-J-9344 |
| 3202-G-9393              | 3202-B-8816 |
| 3202-G-9393              | 3202-G-9003 |

| <b>RP-24-380</b> Front of RT-48-380 Tandem |             |
|--|-------------|
| 3202-S-6779                                | 3202-R-6778 |

| <b>RR-24-380</b> Rear of RT-48-380 Tandem |             |
|---|-------------|
| 3202-S-6779                               | 3202-R-6778 |

| <b>RP-26-180/185</b> Front of RT-52-18X Tandem |             |
|--|-------------|
| 3202-S-6779                                    | 3202-R-6778 |
| 3202-G-9497                                    | 3202-K-9501 |

| LEFT HAND | RIGHT HAND |
|-----------|------------|
|-----------|------------|

| <b>RR-26-180/185</b> Rear of RT-52-18X Tandem |             |
|---|-------------|
| 3202-H-9004                                   | 3202-N-9400 |
| 3202-G-9393                                   | 3202-B-8816 |
| 3202-G-9393                                   | 3202-G-9003 |

| <b>RS-26-180/185</b> Single Axle |             |
|----------------------------------|-------------|
| 3202-J-9344                      | 3202-L-9346 |
| 3202-J-9344                      | 3202-J-9552 |
| 3202-L-9346                      | 3202-J-9344 |
| 3202-G-9393                      | 3202-B-8816 |
| 3202-G-9393                      | 3202-G-9003 |
| 3202-N-9400                      | 3202-H-9004 |
| 3202-Q-9403                      | 3202-H-9004 |

| <b>RS-26-181</b> Single Axle |             |
|------------------------------|-------------|
| 3202-S-6779                  | 3202-R-6778 |

| <b>RP-26-380</b> Forward of RT-52-380 Tandem |             |
|--|-------------|
| 3202-S-6779                                  | 3202-R-6778 |

| <b>RR-26-380</b> Rear of RT-52-380 Tandem |             |
|---|-------------|
| 3202-S-6779                               | 3202-R-6778 |

| <b>RS-26-380</b> Single Axle |             |
|------------------------------|-------------|
| 3202-H-6768                  | 3202-W-7745 |
| 3202-S-6779                  | 3202-R-6778 |

| <b>RP-29-180/185</b> Forward of RT-58-180 Tandem |             |
|--|-------------|
| 3202-X-8110                                      | 3202-H-6768 |
| 3202-K-9501                                      | 3202-Z-8112 |
| 3202-L-9502                                      | 3202-G-9003 |
| 3202-L-9554                                      | 3202-X-8110 |

| <b>RR-29-180/185</b> Rear of RT-58-180 Tandem |             |
|---|-------------|
| 3202-S-6779                                   | 3202-W-9409 |
| 3202-J-9370                                   | 3202-N-9374 |
| 3202-J-9370                                   | 3202-L-9372 |
| 3202-E-9391                                   | 3202-T-9458 |
| 3202-E-9391                                   | 3202-R-9456 |

| <b>RN-29-380</b> Forward of RT-58-380 Tandem<br>(less inter-axle diff.) |             |
|---|-------------|
| 3202-L-9502   | 3202-G-9003 |

## AXLE SHAFT SETS FOR 180/185/186/380 SERIES AXLES (cont.)

| LEFT HAND | RIGHT HAND |
|-----------|------------|
|-----------|------------|

**RP-29-380** Forward of RT-58-380 Tandem

|             |             |
|-------------|-------------|
| 3202-X-8110 | 3202-H-6768 |
| 3202-K-9501 | 3202-Z-8112 |
| 3202-L-9502 | 3202-G-9003 |
| 3202-L-9554 | 3202-X-8110 |

**RR-29-380** Rear of RT-58-380 Tandem

|             |             |
|-------------|-------------|
| 3202-X-8110 | 3202-H-6768 |
| 3202-K-9501 | 3202-Z-8112 |
| 3202-L-9502 | 3202-G-9003 |

**RS-30-180/185** Single Axle

|             |             |
|-------------|-------------|
| 3202-S-6779 | 3202-W-9409 |
| 3202-S-6779 | 3202-Y-9411 |
| 3202-J-9370 | 3202-N-9374 |
| 3202-J-9370 | 3202-L-9372 |
| 3202-E-9391 | 3202-T-9458 |
| 3202-E-9391 | 3202-R-9456 |

**RS-30-181** Single Axle

|             |             |
|-------------|-------------|
| 3202-X-8110 | 3202-H-6768 |
| 3202-K-9501 | 3202-Z-8112 |

**RS-30-380** Single Axle

|             |             |
|-------------|-------------|
| 3202-X-8110 | 3202-H-6768 |
| 3202-K-9501 | 3202-Z-8112 |
| 3202-L-9502 | 3202-G-9003 |

**RP-35-180** Forward of RT-70-180 Tandem

|             |             |
|-------------|-------------|
| 3202-L-7734 | 3202-M-7735 |
| 3202-M-7787 | 3202-N-7788 |

**RR-35-180** Rear of RT-70-180 Tandem

|             |             |
|-------------|-------------|
| 3202-D-9806 | 3202-C-9805 |
| 3206-U-1477 | 3206-T-1476 |

**RN-35-380** Forward of RT-70-380 Tandem  
(less inter-axle diff.)

|             |             |
|-------------|-------------|
| 3202-M-7787 | 3202-N-7788 |
| 3202-P-9142 | 3202-Q-9143 |
| 3202-R-9248 | 3202-S-9249 |

| LEFT HAND | RIGHT HAND |
|-----------|------------|
|-----------|------------|

**RP-35-380** Forward of RT-70-380 Tandem

|             |             |
|-------------|-------------|
| 3202-L-7734 | 3202-M-7735 |
| 3202-M-7787 | 3202-N-7788 |
| 3202-C-7803 | 3202-D-7804 |
| 3202-P-9142 | 3202-Q-9143 |
| 3202-P-9246 | 3202-Q-9247 |
| 3202-R-9248 | 3202-S-9249 |

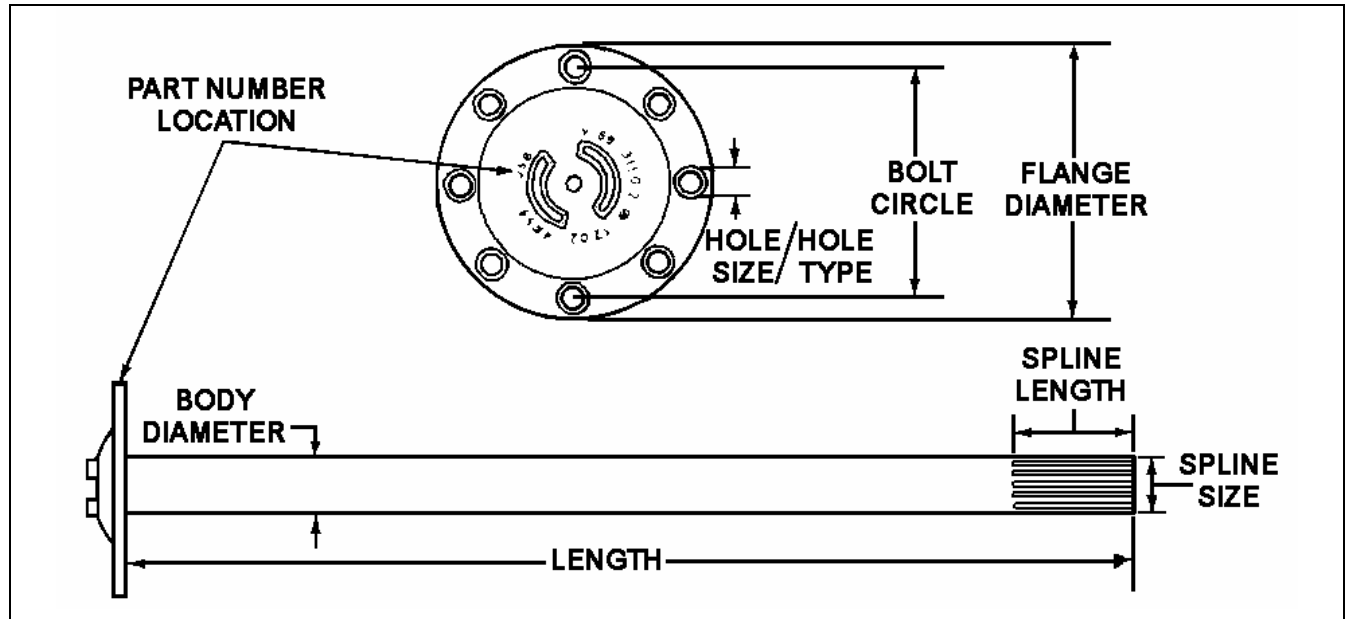
**RR-35-380** Rear of RT-70-380 Tandem

|             |             |
|-------------|-------------|
| 3202-L-7734 | 3202-M-7735 |
| 3202-M-7787 | 3202-N-7788 |
| 3202-C-7803 | 3202-D-7804 |
| 3202-P-9142 | 3202-Q-9143 |
| 3202-P-9246 | 3202-Q-9247 |
| 3202-R-9248 | 3202-S-9249 |

**RS-38-380** Single Axle

|             |             |
|-------------|-------------|
| 3202-P-9142 | 3202-Q-9143 |
|-------------|-------------|

# AXLE SHAFTS



| PART NUMBER | BODY DIA. | LENGTH | LUBE HOLE | SPLINE SIZE | SPLINE LENGTH | FLANGE DIA. | NO. OF HOLES | HOLE SIZE | BOLT CIRCLE | HOLE TYPE |
|-------------|-----------|--------|-----------|-------------|---------------|-------------|--------------|-----------|-------------|-----------|
| 3202-J-9344 | 2.25"     | 36.57" | No        | 2.35" -46   | 3.03"         | 8.38"       | 8            | .73"      | 7.00"       | Taper     |
| 3202-Y-9125 | 2.25"     | 36.57" | No        | 2.35" -46   | 3.03"         | 8.38"       | 8            | .78"      | 7.00"       | Straight  |
| 3202-G-9393 | 2.25"     | 37.31" | No        | 2.35" -46   | 3.03"         | 8.38"       | 8            | .73"      | 7.00"       | Taper     |
| 3202-E-9391 | 2.25"     | 37.78" | No        | 2.35" -46   | 3.03"         | 8.38"       | 8            | .73"      | 7.00"       | Taper     |
| 3202-W-9643 | 2.25"     | 37.78" | Yes       | 2.35" -46   | 3.03"         | 8.38"       | 8            | .73"      | 7.00"       | Taper     |
| 3202-W-9149 | 2.25"     | 37.78" | No        | 2.35" -46   | 3.03"         | 8.38"       | 8            | .78"      | 7.00"       | Straight  |
| 3202-K-9579 | 2.25"     | 38.56" | No        | 2.35" -46   | 3.03"         | 8.38"       | 8            | .64"      | 7.00"       | Straight  |
| 3202-W-7745 | 2.25"     | 38.56" | No        | 2.35" -46   | 3.03"         | 8.38"       | 8            | .73"      | 7.00"       | Taper     |
| 3202-X-9098 | 2.25"     | 38.56" | Yes       | 2.35" -46   | 3.03"         | 8.38"       | 8            | .73"      | 7.00"       | Taper     |
| 3202-E-9495 | 2.25"     | 38.56" | No        | 2.35" -46   | 3.03"         | 8.38"       | 8            | .78"      | 7.00"       | Straight  |
| 3202-J-9370 | 2.25"     | 38.75" | No        | 2.35" -46   | 3.03"         | 8.38"       | 8            | .73"      | 7.00"       | Taper     |
| 3202-R-6778 | 2.25"     | 39.22" | No        | 2.35" -46   | 3.03"         | 8.38"       | 8            | .73"      | 7.00"       | Taper     |
| 3206-U-1477 | 2.25"     | 39.61" | Yes       | 2.55" -50   | 3.15"         | 8.50"       | 8            | .73"      | 7.25"       | Taper     |
| 3202-Z-8112 | 2.25"     | 39.96" | No        | 2.35" -46   | 3.03"         | 8.38"       | 8            | .73"      | 7.00"       | Taper     |
| 3202-H-9004 | 2.25"     | 40.31" | No        | 2.35" -46   | 3.03"         | 8.38"       | 8            | .73"      | 7.00"       | Taper     |
| 3202-F-9496 | 2.25"     | 41.03" | No        | 2.35" -46   | 3.03"         | 8.38"       | 8            | .78"      | 7.00"       | Straight  |
| 3202-H-6768 | 2.25"     | 41.06" | No        | 2.35" -46   | 3.03"         | 8.38"       | 8            | .73"      | 7.00"       | Taper     |
| 3202-K-9267 | 2.25"     | 41.37" | No        | 2.35" -46   | 3.03"         | 8.38"       | 8            | .73"      | 7.00"       | Taper     |
| 3202-M-7735 | 2.38"     | 41.71" | Yes       | 2.55" -50   | 3.15"         | 8.50"       | 8            | .73"      | 7.25"       | Taper     |
| 3202-S-6779 | 2.25"     | 41.72" | No        | 2.35" -46   | 3.03"         | 8.38"       | 8            | .73"      | 7.00"       | Taper     |
| 3202-G-9159 | 2.25"     | 41.72" | No        | 2.35" -46   | 3.03"         | 8.38"       | 8            | .78"      | 7.00"       | Straight  |
| 3202-Q-9143 | 2.25"     | 41.74" | Yes       | 2.55" -50   | 3.15"         | 8.50"       | 8            | .73"      | 7.25"       | Taper     |
| 3202-F-9392 | 2.25"     | 41.85" | No        | 2.35" -46   | 9.14"         | 8.38"       | 8            | .73"      | 7.00"       | Taper     |
| 3202-Y-9645 | 2.25"     | 41.85" | Yes       | 2.35" -46   | 9.14"         | 8.38"       | 8            | .73"      | 7.00"       | Taper     |
| 3202-V-9148 | 2.25"     | 41.85" | No        | 2.35" -46   | 9.14"         | 8.38"       | 8            | .78"      | 7.00"       | Straight  |
| 3202-K-9501 | 2.25"     | 42.30" | No        | 2.35" -46   | 3.03"         | 8.38"       | 8            | .73"      | 7.00"       | Taper     |
| 3202-L-9580 | 2.25"     | 42.56" | No        | 2.35" -46   | 3.03"         | 8.38"       | 8            | .64"      | 7.00"       | Straight  |
| 3202-Y-8111 | 2.25"     | 42.56" | No        | 2.35" -46   | 3.03"         | 8.38"       | 8            | .73"      | 7.00"       | Taper     |

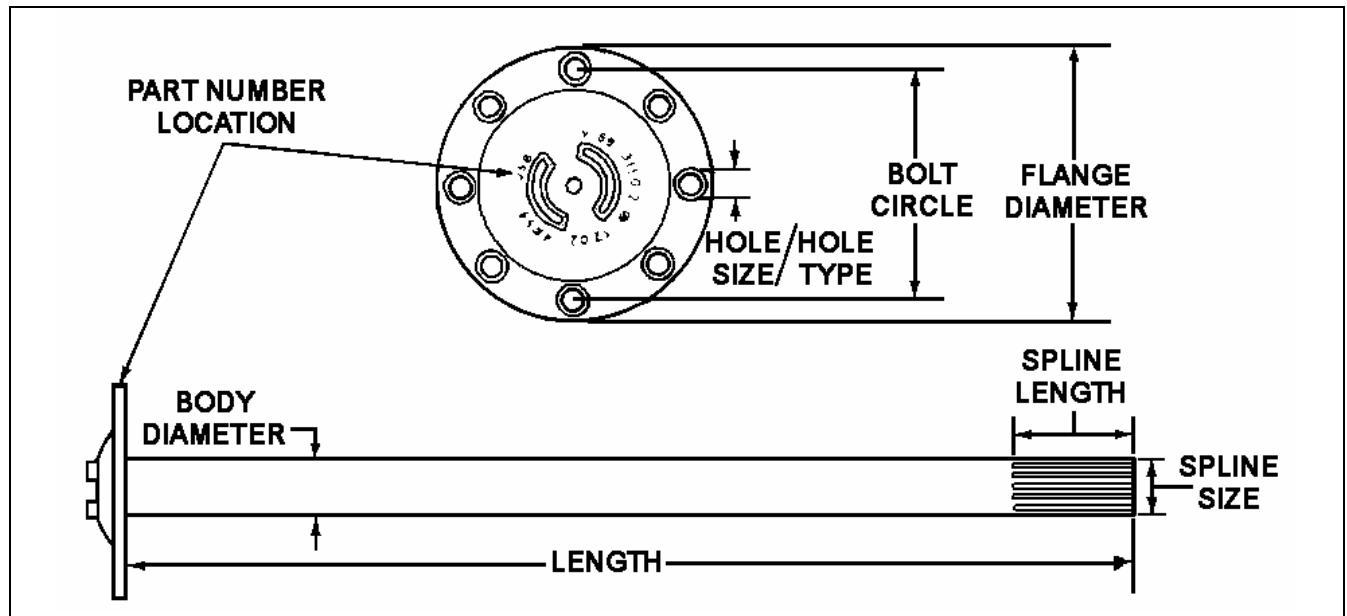


# AXLE SHAFTS



| PART NUMBER | BODY DIA. | LENGTH | LUBE HOLE | SPLINE SIZE | SPLINE LENGTH | FLANGE DIA. | NO. OF HOLES | HOLE SIZE | BOLT CIRCLE | HOLE TYPE |
|-------------|-----------|--------|-----------|-------------|---------------|-------------|--------------|-----------|-------------|-----------|
| 3202-M-9581 | 2.25"     | 42.72" | No        | 2.35" -46   | 9.14"         | 8.38"       | 8            | .64"      | 7.00"       | Straight  |
| 3202-H-8666 | 2.25"     | 42.72" | No        | 2.35" -46   | 9.14"         | 8.38"       | 8            | .73"      | 7.00"       | Taper     |
| 3202-W-9097 | 2.25"     | 42.72" | Yes       | 2.35" -46   | 9.14"         | 8.38"       | 8            | .73"      | 7.00"       | Taper     |
| 3202-J-9552 | 2.25"     | 43.01" | No        | 2.35" -46   | 3.03"         | 8.38"       | 8            | .73"      | 7.00"       | Taper     |
| 3202-J-9396 | 2.25"     | 43.01" | No        | 2.35" -46   | 3.03"         | 8.38"       | 8            | .78"      | 7.00"       | Straight  |
| 3202-L-9346 | 2.25"     | 43.07" | No        | 2.35" -46   | 9.14"         | 8.38"       | 8            | .73"      | 7.00"       | Taper     |
| 3202-C-9129 | 2.25"     | 43.07" | No        | 2.35" -46   | 9.14"         | 8.38"       | 8            | .78"      | 7.00"       | Straight  |
| 3202-X-8110 | 2.25"     | 43.40" | No        | 2.35" -46   | 3.03"         | 8.38"       | 8            | .73"      | 7.00"       | Taper     |
| 3202-G-9003 | 2.25"     | 43.80" | No        | 2.35" -46   | 3.03"         | 8.38"       | 8            | .73"      | 7.00"       | Taper     |
| 3202-B-8816 | 2.25"     | 43.93" | No        | 2.35" -46   | 9.14"         | 8.38"       | 8            | .73"      | 7.00"       | Taper     |
| 3202-L-7734 | 2.38"     | 44.18" | Yes       | 2.55" -50   | 3.15"         | 8.50"       | 8            | .73"      | 7.25"       | Taper     |
| 3202-P-9142 | 2.38"     | 44.21" | Yes       | 2.55" -50   | 3.15"         | 8.50"       | 8            | .73"      | 7.25"       | Taper     |
| 3202-R-9456 | 2.25"     | 44.37" | No        | 2.35" -46   | 3.03"         | 8.38"       | 8            | .73"      | 7.00"       | Taper     |
| 3202-T-9458 | 2.25"     | 44.45" | No        | 2.35" -46   | 9.14"         | 8.38"       | 8            | .73"      | 7.00"       | Taper     |
| 3202-G-9497 | 2.25"     | 44.77" | No        | 2.35" -46   | 3.03"         | 8.38"       | 8            | .73"      | 7.00"       | Taper     |
| 3202-L-9372 | 2.25"     | 45.34" | No        | 2.35" -46   | 3.03"         | 8.38"       | 8            | .73"      | 7.00"       | Taper     |
| 3202-N-9374 | 2.25"     | 45.42" | No        | 2.35" -46   | 9.14"         | 8.38"       | 8            | .73"      | 7.00"       | Taper     |
| 3202-M-9269 | 2.25"     | 45.53" | No        | 2.35" -46   | 9.14"         | 8.38"       | 8            | .73"      | 7.00"       | Taper     |
| 3202-D-7804 | 2.25"     | 45.84" | Yes       | 2.35" -46   | 3.03"         | 8.38"       | 8            | .73"      | 7.00"       | Taper     |
| 3202-S-9249 | 2.25"     | 45.84" | Yes       | 2.55" -50   | 3.15"         | 8.50"       | 8            | .73"      | 7.25"       | Taper     |
| 3202-L-9554 | 2.25"     | 45.90" | No        | 2.35" -46   | 3.03"         | 8.38"       | 8            | .73"      | 7.00"       | Taper     |
| 3206-T-1476 | 2.25"     | 46.28" | Yes       | 2.55" -50   | 3.15"         | 8.50"       | 8            | .73"      | 7.25"       | Taper     |
| 3202-L-9502 | 2.25"     | 46.30" | No        | 2.35" -46   | 3.03"         | 8.38"       | 8            | .73"      | 7.00"       | Taper     |
| 3202-N-9400 | 2.25"     | 46.74" | No        | 2.35" -46   | 3.03"         | 8.38"       | 8            | .73"      | 7.00"       | Taper     |
| 3202-Q-9403 | 2.25"     | 46.90" | No        | 2.35" -46   | 9.14"         | 8.38"       | 8            | .73"      | 7.00"       | Taper     |
| 3202-C-7803 | 2.38"     | 48.31" | Yes       | 2.55" -50   | 3.15"         | 8.50"       | 8            | .73"      | 7.25"       | Taper     |
| 3202-R-9248 | 2.38"     | 48.31" | Yes       | 2.55" -50   | 3.15"         | 8.50"       | 8            | .73"      | 7.25"       | Taper     |
| 3202-W-9409 | 2.25"     | 48.31" | No        | 2.35" -46   | 3.03"         | 8.38"       | 8            | .73"      | 7.00"       | Taper     |

# AXLE SHAFTS



| PART NUMBER | BODY DIA. | LENGTH | LUBE HOLE | SPLINE SIZE | SPLINE LENGTH | FLANGE DIA. | NO. OF HOLES | HOLE SIZE | BOLT CIRCLE | HOLE TYPE |
|-------------|-----------|--------|-----------|-------------|---------------|-------------|--------------|-----------|-------------|-----------|
| 3202-Y-9411 | 2.25"     | 48.39" | No        | 2.35" -46   | 9.14"         | 8.38"       | 8            | .73"      | 7.00"       | Taper     |
| 3202-D-9806 | 2.25"     | 51.63" | Yes       | 2.55" -50   | 3.15"         | 8.50"       | 8            | .73"      | 7.25"       | Taper     |
| 3202-N-7788 | 2.38"     | 53.72" | Yes       | 2.55" -50   | 3.15"         | 8.50"       | 8            | .73"      | 7.25"       | Taper     |
| 3202-Q-9247 | 2.38"     | 53.74" | Yes       | 2.55" -50   | 3.15"         | 8.50"       | 8            | .73"      | 7.25"       | Taper     |
| 3202-M-7787 | 2.38"     | 56.18" | Yes       | 2.55" -50   | 3.15"         | 8.50"       | 8            | .73"      | 7.25"       | Taper     |
| 3202-P-9246 | 2.38"     | 56.21" | Yes       | 2.55" -50   | 3.15"         | 8.50"       | 8            | .73"      | 7.25"       | Taper     |
| 3202-C-9805 | 2.25"     | 58.27" | Yes       | 2.55" -50   | 3.15"         | 8.50"       | 8            | .73"      | 7.25"       | Taper     |

*XpresswayPlus.ArvinMeritor.com*



**XpresswayPlus.ArvinMeritor.com**  
For all of your parts-ordering needs

Don't forget about using *XpresswayPlus* for:

- Ordering parts online
- Order status
- Price and availability
- Invoice Lookup
- Parts Catalog
- Online e-mail or phone numbers for Customer Service, Information Services, Marketing, Catalog, and eSupport
- Reference Library
- The Company Store
- Literature
- Dealer/Distributor locator

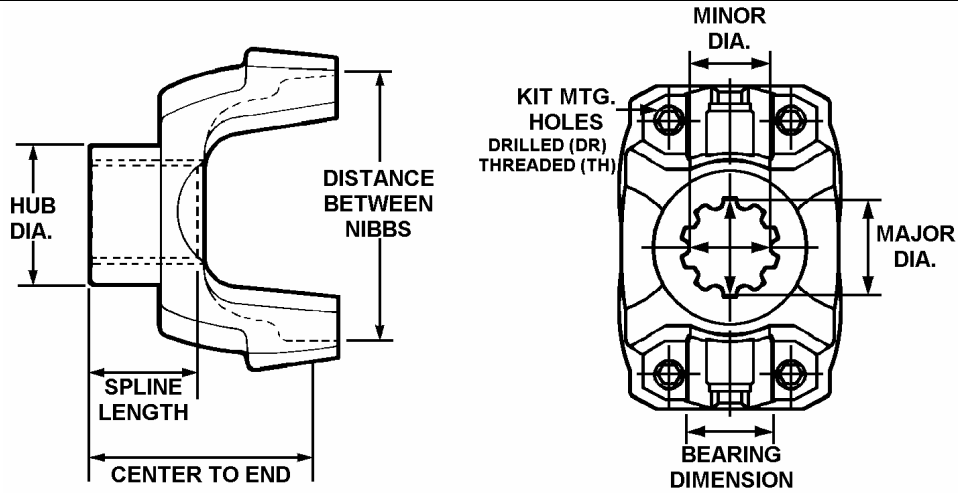
XpresswayPlus is easy to use, can reduce phone calls, and save you valuable time.

# ROUND BEARING TYPE YOKES



| Axle Model (Location)   | Center to End | Spline Length | Hub Dia. | Bearing Dia. | Across Ears | Spline Size Dia.-No. Teeth | Part Number          | Production Part Number |
|---|---------------|---------------|----------|--------------|-------------|----------------------------|----------------------|------------------------|
| <b>Single Axle Input</b><br>RS-23-180<br>RS-26-180<br>RS-30-180   | 5.50"         | 2.88"         | 3.25"    | 1.88"        | 5.31"       | 2.38" -46                  | <b>16NYS38-11A</b>   | A-3260-Y-1143          |
|   | 5.94"         |               |          | 1.94"        | 6.09"       |                            | <b>17N-4-5961X</b>   | A1-3260-S-357          |
|   | 5.94"         |               |          | 1.94"        | 6.09"       |                            | <b>17N-4-6961X</b>   | A-3260-S-357           |
|   | 6.19"         |               |          | 1.94"        | 6.09"       |                            | <b>17NYS38-17A2</b>  | A2-3260-W-75           |
|   | 6.93"         |               |          | 1.94"        | 6.09"       |                            | <b>17N-4-7851X</b>   | A-3260-N-1314          |
|   | 5.63"         |               |          | 1.94"        | 7.00"       |                            | <b>176N-4-861X</b>   | A-3260-R-356           |
|   | 5.69"         |               |          | 1.94"        | 7.55"       |                            | <b>18N-4-3581X</b>   | A2-3260-U-73           |
| <b>Single Axle Input</b><br>RS-23-380<br>RS-26-380<br>RS-38-380   | 5.16"         | 2.31"         | 3.00"    | 1.94"        | 6.09"       | 2.00" -39                  | <b>17NYS32-100A2</b> | A2-3260-G-1645         |
|   | 6.25"         |               |          |              | 6.09"       |                            | <b>17NYS32-99A3</b>  | ---                    |
|   | 5.19"         |               |          |              | 7.55"       |                            | <b>18NYS32-12A2</b>  | A2-3260-L-116          |
| <b>Fwd. Axle Input</b><br>RT-48-180<br>RT-52-180<br>RT-58-180   | 5.94"         | 2.88"         | 3.25"    | 1.94"        | 6.09"       | 2.38" -46                  | <b>17N-4-5961X</b>   | A1-3260-S-357          |
|   | 5.63"         |               |          |              | 7.00"       |                            | <b>176NYS38-13A1</b> | A1-3260-R-356          |
|   | 5.69"         |               |          |              | 7.55"       |                            | <b>18N-4-3221X</b>   | A-3260-U-73            |
| <b>Fwd. Axle Output</b><br>RT-48-380<br>RT-52-380<br>RT-58-380<br>RT-70-380                                       | 5.54"         | 2.31"         | 3.00"    | 1.88"        | 5.31"       | 2.00" -39                  | <b>16N-4-6271</b>    | 3260-G-111             |
|   | 6.25"         |               |          | 1.94"        | 6.09"       |                            | <b>17NYS32-99</b>    | ---                    |
|   | 5.16"         |               |          | 1.94"        | 6.09"       |                            | <b>17NYS32-100A</b>  | A3260-G-1645           |
|   | 5.19"         |               |          | 1.94"        | 7.55"       |                            | <b>18N-4-3371</b>    | 3260-L-116             |
| <b>Rear Axle Input</b><br>RT-48-180<br>RT-52-180<br>RT-58-180<br>RT-52-380<br>RT-48-380<br>RS-58-380<br>RT-70-380 | 5.50"         | 2.88"         | 3.25"    | 1.88"        | 5.31"       | 2.38" -46                  | <b>16NYS38-11A</b>   | A-3260-Y-1143          |
|   | 5.94"         |               |          | 1.94"        | 6.09"       |                            | <b>17N-4-5961X</b>   | A1-3260-S-357          |
|   | 5.94"         |               |          | 1.94"        | 6.09"       |                            | <b>17N-4-6961X</b>   | A-3260-S-357           |
|   | 6.19"         |               |          | 1.94"        | 6.09"       |                            | <b>17NYS38-17A2</b>  | A2-3260-W-75           |
|   | 6.93"         |               |          | 1.94"        | 6.09"       |                            | <b>17N-4-7851X</b>   | A-3260-N-1314          |
|   | 5.63"         |               |          | 1.94"        | 7.00"       |                            | <b>176N-4-861X</b>   | A-3260-R-356           |
|   | 5.69"         |               |          | 1.94"        | 7.55"       |                            | <b>18N-4-3581X</b>   | A2-3260-U-73           |

# EASY SERVICE (STRAP) TYPE YOKES



| Axle Model (Location)    | Center to End | Spline Length | Hub Dia. | Bearing Dia. | Distance Between Nibbs | Spline Size Dia.- No. Teeth | Hole Type | Part Number   | Production Part Number |               |
|--------------------------|---------------|---------------|----------|--------------|------------------------|-----------------------------|-----------|---------------|------------------------|---------------|
| <b>Single Axle Input</b> | 5.50"         | 2.88"         | 3.25"    | 1.88"        | 5.31"                  | 2.38" -46                   | TH        | 16TYS38-11A   | A-3260-M-1235          |               |
|                          | 5.94"         |               |          | 1.94"        | 6.19"                  |                             | TH        | 17N-4-6961-1X | A-3260-B-1302          |               |
|                          | 6.93"         |               |          | 1.94"        | 6.19"                  |                             | TH        | 17TYS38-70A   | A-3260-R-1682          |               |
|                          | 5.63"         |               |          | 1.94"        | 7.09"                  |                             | TH        | 176N-4-861-1X | A-3260-Q-1265          |               |
|                          | 5.69"         |               |          | 1.94"        | 7.63"                  |                             | TH        | 18N-4-3581-1X | A-3260-K-1259          |               |
| <b>Single Axle Input</b> | 5.54"         | 2.31"         | 3.00"    | 1.88"        | 5.31"                  | 2.00" -39                   | TH        | 16N-4-6271-1  | 3260-F-1280            |               |
|                          | 5.16"         |               |          | 1.94"        | 6.19"                  |                             | TH        | 17TYS32-68A2  | A2-3260-R-1292         |               |
|                          | 5.19"         |               |          | 1.94"        | 7.09"                  |                             | TH        | 176TYS32-3A2  | A2-3260-S-1267         |               |
|                          | 5.19"         |               |          | 1.94"        | 7.63"                  |                             | TH        | 18TYS32-12A2  | A2-3260-N-1262         |               |
| <b>Fwd. Axle Input</b>   | 5.94"         | 2.88"         | 3.25"    | 1.94"        | 6.19"                  | 2.38" -46                   | TH        | 17TYS38-53A1  | A1-3260-B-1302         |               |
|                          | 5.63"         |               |          | 1.94"        | 7.09"                  |                             | TH        | 176TYS38-13A1 | A1-3260-Q-1265         |               |
|                          | 5.69"         |               |          | 1.94"        | 7.63"                  |                             | TH        | 18N-4-3221-1X | A1-3260-K-1259         |               |
|                          | 5.54"         | 2.31"         | 3.00"    | 1.88"        | 5.31"                  | 2.00" -39                   | TH        | 16N-4-6271-1  | 3260-F-1280            |               |
|                          | 5.16"         |               |          | 1.94"        | 6.19"                  |                             | TH        | 17N-4-7621-1  | 3260-R-1292            |               |
|                          | 6.25"         |               |          | 1.94"        | 6.19"                  |                             | TH        | 17TYS32-99    | ---                    |               |
|                          | 5.19"         |               |          | 1.94"        | 7.63"                  |                             | TH        | 18N-4-3381-1X | A-3260-N-1262          |               |
| <b>Rear Axle Input</b>   | 5.50"         | 2.88"         | 3.25"    | 1.88"        | 5.31"                  | 2.38" -46                   | TH        | 16TYS38-11A   | A-3260-M-1235          |               |
|                          | 5.94"         |               |          | 1.94"        | 6.19"                  |                             | TH        | 17N-4-6961-1X | A-3260-B-1302          |               |
|                          | 6.93"         |               |          | 1.94"        | 6.19"                  |                             | TH        | 17TYS38-70A   | A-3260-R-1682          |               |
|                          | 5.63"         |               |          | 1.94"        | 7.09"                  |                             | TH        | 176N-4-861-1X | A-3260-Q-1265          |               |
|                          | 5.69"         |               |          | 1.94"        | 7.63"                  |                             | TH        | 18N-4-3581-1X | A-3260-K-1259          |               |
|                          | RT-48-180     |               |          | 5.94"        | 1.94"                  |                             | 6.19"     | TH            | 17N-4-6961-1X          | A-3260-B-1302 |
|                          | RT-52-180     |               |          | 6.93"        | 1.94"                  |                             | 6.19"     | TH            | 17TYS38-70A            | A-3260-R-1682 |
| RT-58-180                | 5.63"         | 1.94"         | 7.09"    | TH           | 176N-4-861-1X          | A-3260-Q-1265               |           |               |                        |               |
| RT-52-380                | 5.69"         | 1.94"         | 7.63"    | TH           | 18N-4-3581-1X          | A-3260-K-1259               |           |               |                        |               |
| RT-58-380                |               |               |          |              |                        |                             |           |               |                        |               |
| RT-70-380                |               |               |          |              |                        |                             |           |               |                        |               |

# WING BEARING TYPE YOKES



| Axle Model (Location)    | Face to End | Spline Length | Hub Dia. | Slot Width | Pilot Dia. | Spline Size Dia.- No. Teeth | Hole Type | Part Number         | Production Part Number |                     |              |  |  |  |
|--------------------------|-------------|---------------|----------|------------|------------|-----------------------------|-----------|---------------------|------------------------|---------------------|--------------|--|--|--|
| <b>Single Axle Input</b> |             |               |          |            |            |                             |           |                     |                        |                     |              |  |  |  |
| RS-23-180                | 4.63"       | 2.88"         | 3.25"    | .63"       | 8.13"      | 2.38" -46                   | TH        | <b>82NYS38-28A</b>  | A-3260-D-1148          |                     |              |  |  |  |
| RS-26-180                | 4.19"       |               |          |            | 8.25"      |                             | TH        |                     | <b>92NYS38-52A2</b>    | A2-3260-Q-95        |              |  |  |  |
| RS-30-180                |             |               |          |            |            |                             |           |                     |                        |                     |              |  |  |  |
| <b>Single Axle Input</b> |             |               |          |            |            |                             |           |                     |                        |                     |              |  |  |  |
| RS-23-380                | 3.88"       | 2.31"         | 3.00"    | .63"       | 8.13"      | 2.00" -39                   | TH        | <b>82NYS32-74A2</b> | A2-3260-M-117          |                     |              |  |  |  |
| RS-26-380                |             |               |          |            |            |                             |           |                     |                        |                     |              |  |  |  |
| RS-38-380                |             |               |          |            |            |                             |           |                     |                        |                     |              |  |  |  |
| <b>Fwd. Axle Input</b>   | 4.19"       | 2.88"         | 3.25"    | .63"       | 8.25"      | 2.38" -46                   | TH        | <b>92NYS38-52A</b>  | A-3260-Q-95            |                     |              |  |  |  |
| RT-48-180                |             |               |          |            |            |                             |           |                     |                        |                     |              |  |  |  |
| RT-52-180                |             |               |          |            |            |                             |           |                     |                        |                     |              |  |  |  |
| RT-58-180                |             |               |          |            |            |                             |           |                     |                        |                     |              |  |  |  |
| RT-48-380                |             |               |          |            |            |                             |           |                     |                        |                     |              |  |  |  |
| RT-52-380                |             |               |          |            |            |                             |           |                     |                        |                     |              |  |  |  |
| RT-58-380                |             |               |          |            |            |                             |           |                     |                        |                     |              |  |  |  |
| RT-70-380                |             |               |          |            |            |                             |           |                     |                        |                     |              |  |  |  |
| <b>Fwd. Axle Output</b>  | 3.88"       | 2.31"         | 3.00"    | .63"       | 8.13"      | 2.00" -39                   | TH        | <b>82NYS32-74</b>   | 3260-M-117             |                     |              |  |  |  |
| <b>Rear Axle Input</b>   |             |               |          |            |            |                             |           |                     |                        |                     |              |  |  |  |
| RT-48-180                | 4.63"       | 2.88"         | 3.25"    | .63"       | 8.13"      | 2.38" -46                   | TH        | <b>82NYS38-28A</b>  | A-3260-D-1148          |                     |              |  |  |  |
| RT-52-180                |             |               |          |            | 8.25"      |                             | TH        |                     |                        | <b>92NYS38-52A2</b> | A2-3260-Q-95 |  |  |  |
| RT-58-180                | 4.19"       |               |          |            |            |                             |           |                     |                        |                     |              |  |  |  |
| RT-48-380                |             |               |          |            |            |                             |           |                     |                        |                     |              |  |  |  |
| RT-52-380                |             |               |          |            |            |                             |           |                     |                        |                     |              |  |  |  |
| RT-58-380                |             |               |          |            |            |                             |           |                     |                        |                     |              |  |  |  |
| RT-70-380                |             |               |          |            |            |                             |           |                     |                        |                     |              |  |  |  |

# COMPANION FLANGES



| Axle Model (Location)                                    | Face to End | Hub Dia. | Spline Length | Pilot Dia. M=Male F=Female | Flange O.D. | Hole Dia. | Bolt Circle Dia. | Spline Size Dia.-No. Teeth | Part Number | Production Part Number |
|--|-------------|----------|---------------|----------------------------|-------------|-----------|------------------|----------------------------|-------------|------------------------|
| Single Axle Input<br>RS-23-180<br>RS-26-180<br>RS-30-180 | 3.56"       | 3.25"    | 2.88"         | F-7.75"                    | 8.00"       | .44"      | 7.25"            | 2.38"-46                   | 5WCS38-12A2 | A2-3260-U-151          |
|  | 3.64"       |          |               | F-7.75"                    |             |           |                  |                            | 5WCS38-24A  | A-3260-D-1252          |

If you detect any **errors** in this catalog, please let us know.



We want the information to be as accurate as possible; we appreciate your help in making it so.

Please e-mail any comments/suggestions/corrections to us at: [catalogfeedback@arvinmeritor.com](mailto:catalogfeedback@arvinmeritor.com)

or mail to: ArvinMeritor  
attn: Catalog Dept.  
7975 Dixie Highway  
Florence, KY 41042

## AXLE MODEL TO CARRIER TO KIT CROSS REFERENCE

| AXLE MODEL  | BASE CARRIER                              | KIT NUMBER        | KIT DESCRIPTION                                       |   |
|---|---|-------------------|---|---|
| RS-23-180<br>RS-23-185<br>RS-23-186<br>RS-30-180<br>RS-30-185 | Single Axle<br>3200-C-1381<br>3200-U-1399 | KIT 1592          | Pinion bearing cage shims                             |   |
|   |   | KIT 1593          | Pinion bearing spacer kit                             |   |
|   |   | KIT 2318          | Main differential nest with spider 2.35-46 spline     |   |
|   |   | KIT 2341          | Main differential nest without spider 2.35-46 spline  |   |
|   |   | KIT 2363          | Main differential lock kit                            |   |
|   |   | KIT 2373          | Main differential nest with spider 2.56-50 spline     |   |
|   |   | KIT 2374          | Main differential nest without spider 2.56-50 spline  |   |
|   |   | KIT 4435          | Bearing kit all except 6.83, 7.17, 7.40 & 7.83 ratios |   |
|   |   | KIT 4436          | Bearing kit, 6.83, 7.17, 7.40 & 7.83 ratios           |   |
|   |   | KIT RS23180       | Major overhaul kit                                    |   |
|   |   | 3200-W-1791       | KIT 1592  | Pinion bearing cage shims                             |
|   |   | 3200-A-1899       | KIT 1593  | Pinion bearing spacer kit                             |
|   |   |                   | KIT 2318  | Main differential nest with spider 2.35-46 spline     |
|   |   |                   | KIT 2341  | Main differential nest without spider 2.35-46 spline  |
|   |   | KIT 2373          | Main differential nest with spider 2.56-50 spline     |   |
|   |   | KIT 2374          | Main differential nest without spider 2.56-50 spline  |   |
|   |   | KIT 2630          | Main differential lock kit (except 1899 carrier)      |   |
|   |   | KIT 2699          | Main differential lock kit (1899 carrier)             |   |
|   |   | KIT 4437          | Bearing kit all except 6.83, 7.17, 7.40 & 7.83 ratios |   |
|   |   | KIT 4438          | Bearing kit, 6.83, 7.17, 7.40 & 7.83 ratios           |   |
|   |   | A2-3200-A-1899S   | Carrier update  |   |
|   |   | KIT RS23180A      | Major overhaul kit                                    |   |
|   |   | 3200-J-1804       | KIT 1592  | Pinion bearing cage shims                             |
|   |   |                   | KIT 1593  | Pinion bearing spacer kit                             |
|   |   |                   | KIT 2318  | Main differential nest with spider 2.35-46 spline     |
|   |   |                   | KIT 2341  | Main differential nest without spider 2.35-46 spline  |
|   |   |                   | KIT 2373  | Main differential nest with spider 2.56-50 spline     |
|   |   |                   | KIT 2374  | Main differential nest without spider 2.56-50 spline  |
|   |   |                   | KIT 4437  | Bearing kit all except 6.83, 7.17, 7.40 & 7.83 ratios |
|   |   |                   | KIT 4438  | Bearing kit, 6.83, 7.17, 7.40 & 7.83 ratios           |
|   |   |                   | KIT RS23180A  | Major overhaul kit                                    |
|   |   | 3200-J-1752       | KIT 1592  | Pinion bearing cage shims                             |
|   |   | 3200-K-1753       | KIT 1593  | Pinion bearing spacer kit                             |
|   |   |                   | KIT 2318  | Main differential nest with spider 2.35-46 spline     |
|   |   |                   | KIT 2341  | Main differential nest without spider 2.35-46 spline  |
|   |   |                   | KIT 2373  | Main differential nest with spider 2.56-50 spline     |
|   |   |                   | KIT 2374  | Main differential nest without spider 2.56-50 spline  |
|   |   |                   | KIT 2791  | Complete diff. lock retro-fit kit                     |
|   |   |                   | KIT 2792  | Major diff. lock repair kit                           |
|   |   |                   | KIT 2793  | Minor diff. lock repair kit                           |
|   |   |                   | KIT 4459  | Bearing kit all except 6.83, 7.17, 7.40 & 7.83 ratios |
|   |   | KIT 4460          | Bearing kit, 6.83, 7.17, 7.40 & 7.83 ratios           |   |
|   |   | KIT RR26185 1752  | Overhaul kit 2.35-46 spline. Ratios 2.93-6.43         |   |
|   |   | KIT RR26185A 1752 | Overhaul kit 2.35-46 spline. Ratios 6.83-7.83         |   |

## AXLE MODEL TO CARRIER TO KIT CROSS REFERENCE

| AXLE MODEL |           | BASE CARRIER   | KIT NUMBER      | KIT DESCRIPTION                                       |                                    |
|------------|-----------|----------------|-----------------|---|------------------------------------|
| RT-48-180  | RP-24-180 | 3200-M-1625    | KIT 1554        | Pinion bearing spacer kit                             |                                    |
| RT-52-180  | RP-26-180 |                | KIT 2421        | IAD nest without case, with spider                    |                                    |
| RT-52-185  | RP-26-185 |                | KIT 2432        | Bearing cage shim kit (pre 11-93)                     |                                    |
| RT-58-180  | RP-29-180 |                | KIT 2436        | Main differential nest with spider 2.35-46 spline     |                                    |
| RT-58-185  | RP-29-185 |                | KIT 2484        | Helical gear kit                                      |                                    |
|            |           |                | KIT 2490        | IAD nest without case, without spider                 |                                    |
|            |           |                | KIT 2678        | Helical gear cover update                             |                                    |
|            |           |                | KIT 2885        | Bearing cage shim kit (post 11-93)                    |                                    |
|            |           |                | KIT 4440        | Bearing kit all ratios                                |                                    |
|            |           |                | KIT 4445        | Bearing update kit - L.H.                             |                                    |
|            |           |                | KIT 4446        | Bearing update kit - R.H.                             |                                    |
|            |           |                | KIT RP180 1625  | Major overhaul kit                                    |                                    |
|            |           |                | 3200-M-1833     | KIT 1554  | Pinion bearing spacer kit          |
|            |           |                |                 | KIT 2421  | IAD nest without case, with spider |
|            |           | KIT 2432       |                 | Bearing cage shim kit (pre 11-93)                     |                                    |
|            |           | KIT 2436       |                 | Main differential nest with spider 2.35-46 spline     |                                    |
|            |           | KIT 2484       |                 | Helical gear kit                                      |                                    |
|            |           | KIT 2490       |                 | IAD nest without case, without spider                 |                                    |
|            |           | KIT 2678       |                 | Helical gear cover update                             |                                    |
|            |           | KIT 2885       |                 | Bearing cage shim kit (post 11-93)                    |                                    |
|            |           | KIT 4441       |                 | Bearing kit all except 6.83, 7.17, 7.40 & 7.83 ratios |                                    |
|            |           | KIT 4442       |                 | Bearing kit, 6.83, 7.17, 7.40 & 7.83 ratios           |                                    |
|            |           | KIT 4445       |                 | Bearing update kit - L.H.                             |                                    |
|            |           | KIT 4446       |                 | Bearing update kit - R.H.                             |                                    |
|            |           | KIT RP180 1833 |                 | Major overhaul kit                                    |                                    |
| RR-24-180  |           | 3200-C-1381    |                 | KIT 1592  | Pinion bearing cage shims          |
| RR-26-180  |           | 3200-U-1399    | KIT 1593        | Pinion bearing spacer kit                             |                                    |
| RR-26-185  |           |                | KIT 2318        | Main differential nest with spider 2.35-46 spline     |                                    |
| RR-29-180  |           |                | KIT 2341        | Main differential nest without spider 2.35-46 spline  |                                    |
| RR-29-185  |           |                | KIT 2363        | Main differential lock kit                            |                                    |
|            |           |                | KIT 4435        | Bearing kit all except 6.83, 7.17, 7.40 & 7.83 ratios |                                    |
|            |           |                | KIT 4436        | Bearing kit, 6.83, 7.17, 7.40 & 7.83 ratios           |                                    |
|            |           |                | KIT RS23180     | Major overhaul kit                                    |                                    |
|            |           |                | 3200-W-1791     | KIT 1592  | Pinion bearing cage shims          |
|            |           | 3200-A-1899    | KIT 1593        | Pinion bearing spacer kit                             |                                    |
|            |           |                | KIT 2318        | Main differential nest with spider 2.35-46 spline     |                                    |
|            |           |                | KIT 2341        | Main differential nest without spider 2.35-46 spline  |                                    |
|            |           |                | KIT 2630        | Main differential lock kit (except 1899 carrier)      |                                    |
|            |           |                | KIT 2699        | Main differential lock kit (1899 carrier)             |                                    |
|            |           |                | KIT 4437        | Bearing kit all except 6.83, 7.17, 7.40 & 7.83 ratios |                                    |
|            |           |                | KIT 4438        | Bearing kit, 6.83, 7.17, 7.40 & 7.83 ratios           |                                    |
|            |           |                | A2-3200-A-1899S | Carrier update  |                                    |
|            |           |                | KIT RS23180A    | Major overhaul kit                                    |                                    |
|            |           |                | 3200-J-1804     | KIT 1592  | Pinion bearing cage shims          |
|            |           | KIT 1593       |                 | Pinion bearing spacer kit                             |                                    |
|            |           | KIT 2318       |                 | Main differential nest with spider 2.35-46 spline     |                                    |
|            |           | KIT 2341       |                 | Main differential nest without spider 2.35-46 spline  |                                    |
|            |           | KIT 2373       |                 | Main differential nest with spider 2.56-50 spline     |                                    |
|            |           | KIT 2374       |                 | Main differential nest without spider 2.56-50 spline  |                                    |
|            |           | KIT 4437       |                 | Bearing kit all except 6.83, 7.17, 7.40 & 7.83 ratios |                                    |
|            |           | KIT 4438       |                 | Bearing kit, 6.83, 7.17, 7.40 & 7.83 ratios           |                                    |
|            |           | KIT RS23180A   |                 | Major overhaul kit                                    |                                    |



## AXLE MODEL TO CARRIER TO KIT CROSS REFERENCE

| AXLE MODEL |           | BASE CARRIER | KIT NUMBER        | KIT DESCRIPTION                                       |                                    |
|------------|-----------|--------------|-------------------|---|------------------------------------|
| RT-48-180  | RR-24-180 | 3200-J-1752  | KIT 1592          | Pinion bearing cage shims                             |                                    |
| RT-52-180  | RR-26-180 | 3200-K-1753  | KIT 1593          | Pinion bearing spacer kit                             |                                    |
| RT-52-185  | RR-26-185 |              | KIT 2318          | Main differential nest with spider 2.35-46 spline     |                                    |
| RT-58-180  | RR-29-180 |              | KIT 2341          | Main differential nest without spider 2.35-46 spline  |                                    |
| RT-58-185  | RR-29-185 |              | KIT 2373          | Main differential nest with spider 2.56-50 spline     |                                    |
| (cont)     | (cont)    |              | KIT 2374          | Main differential nest without spider 2.56-50 spline  |                                    |
|            |           |              | KIT 2791          | Complete diff. lock retro-fit kit                     |                                    |
|            |           |              | KIT 2792          | Major diff. lock repair kit                           |                                    |
|            |           |              | KIT 2793          | Minor diff. lock repair kit                           |                                    |
|            |           |              | KIT 4459          | Bearing kit all except 6.83, 7.17, 7.40 & 7.83 ratios |                                    |
|            |           |              | KIT 4460          | Bearing kit, 6.83, 7.17, 7.40 & 7.83 ratios           |                                    |
|            |           |              | KIT RR26185 1752  | Overhaul kit 2.35-46 spline. Ratios 2.93-6.43         |                                    |
|            |           |              | KIT RR26185A 1752 | Overhaul kit 2.35-46 spline. Ratios 6.83-7.83         |                                    |
| RT-48-380  | RP-24-380 |              | 3200-M-1625       | KIT 1554  | Pinion bearing spacer kit          |
| RT-52-380  | RP-26-380 |              |                   | KIT 2422  | IAD nest without case, with spider |
| RT-58-380  | RP-29-380 | KIT 2432     |                   | Bearing cage shim kit (pre 11-93)                     |                                    |
|            |           | KIT 2436     |                   | Main differential nest with spider 2.35-46 spline     |                                    |
|            |           | KIT 2491     |                   | IAD nest without case, without spider                 |                                    |
|            |           | KIT 2678     |                   | Helical gear cover update                             |                                    |
|            |           | KIT 2885     |                   | Bearing cage shim kit (post 11-93)                    |                                    |
|            |           | KIT 4440     |                   | Bearing kit all ratios                                |                                    |
|            |           | KIT 4445     |                   | Bearing update kit - L.H.                             |                                    |
|            |           | KIT 4446     |                   | Bearing update kit - R.H.                             |                                    |
|            |           | KIT RP380    |                   | Major overhaul kit                                    |                                    |
|            |           | MPS 3355     |                   | Helical gear kit                                      |                                    |
|            |           | 3200-M-1833  |                   | KIT 1554  | Pinion bearing spacer kit          |
|            |           |              |                   | KIT 2422  | IAD nest without case, with spider |
|            |           |              | KIT 2432          | Bearing cage shim kit (pre 11-93)                     |                                    |
|            |           |              | KIT 2436          | Main differential nest with spider 2.35-46 spline     |                                    |
|            |           |              | KIT 2491          | IAD nest without case, without spider                 |                                    |
|            |           |              | KIT 2678          | Helical gear cover update                             |                                    |
|            |           |              | KIT 2885          | Bearing cage shim kit (post 11-93)                    |                                    |
|            |           |              | KIT 4441          | Bearing kit all except 6.83, 7.17, 7.40 & 7.83 ratios |                                    |
|            |           |              | KIT 4442          | Bearing kit, 6.83, 7.17, 7.40 & 7.83 ratios           |                                    |
|            |           |              | KIT 4445          | Bearing update kit - L.H.                             |                                    |
|            |           |              | KIT 4446          | Bearing update kit - R.H.                             |                                    |
|            |           |              | KIT RP380A        | Major overhaul kit                                    |                                    |
|            |           |              | MPS 3355          | Helical gear kit                                      |                                    |
|            |           |              | 3200-M-1625       | KIT 1554  | Pinion bearing spacer kit          |
|            |           | KIT 2432     |                   | Bearing cage shim kit (pre 11-93)                     |                                    |
|            |           | KIT 2436     |                   | Main differential nest with spider 2.35-46 spline     |                                    |
|            |           | KIT 2885     |                   | Bearing cage shim kit (post 11-93)                    |                                    |
|            |           | KIT 4450     |                   | Bearing kit all ratios                                |                                    |
|            |           | KIT 4445     |                   | Bearing update kit - L.H.                             |                                    |
|            |           | KIT 4446     |                   | Bearing update kit - R.H.                             |                                    |
|            |           | KIT RR380    |                   | Major overhaul kit                                    |                                    |

## AXLE MODEL TO CARRIER TO KIT CROSS REFERENCE

| AXLE MODEL                                    |                        | BASE CARRIER  | KIT NUMBER                | KIT DESCRIPTION                                       |
|---|------------------------|---|---------------------------|---|
| RT-48-380<br>RT-52-380<br>RT-58-380<br>(cont) | RR-24-380<br>RR-26-380 | 3200-M-1833   | KIT 1554                  | Pinion bearing spacer kit                             |
|   |                        |   | KIT 2432                  | Bearing cage shim kit (pre 11-93)                     |
|   |                        |   | KIT 2436                  | Main differential nest with spider 2.35-46 spline     |
|   |                        |   | KIT 2885                  | Bearing cage shim kit (post 11-93)                    |
|   |                        |   | KIT 4443                  | Bearing kit all except 6.83, 7.17, 7.40 & 7.83 ratios |
|   |                        |   | KIT 4444                  | Bearing kit, 6.83, 7.17, 7.40 & 7.83 ratios           |
|   |                        |   | KIT 4445                  | Bearing update kit - L.H.                             |
|   |                        |   | KIT 4446                  | Bearing update kit - R.H.                             |
| RT-70-380                                     | RP-35-380              | 3200-M-1625   | KIT 1554                  | Pinion bearing spacer kit                             |
|   |                        |   | KIT 2422                  | IAD nest without case, with spider                    |
|   |                        |   | KIT 2432                  | Bearing cage shim kit (pre 11-93)                     |
|   |                        |   | KIT 2437                  | Main differential nest with spider 2.56-50 spline     |
|   |                        |   | KIT 2491                  | IAD nest without case, without spider                 |
|   |                        |   | KIT 2678                  | Helical gear cover update                             |
|   |                        |   | KIT 2885                  | Bearing cage shim kit (post 11-93)                    |
|   |                        |   | KIT 4440                  | Bearing kit all ratios                                |
|   |                        |   | KIT 4445                  | Bearing update kit - L.H.                             |
|   |                        |   | KIT 4446                  | Bearing update kit - R.H.                             |
|   |                        |   | KIT RP35380               | Major overhaul kit                                    |
|   |                        |   | MPS 3355                  | Helical gear kit                                      |
|   |                        | 3200-M-1833   | KIT 1554                  | Pinion bearing spacer kit                             |
|   |                        |   | KIT 2422                  | IAD nest without case, with spider                    |
|   |                        |   | KIT 2432                  | Bearing cage shim kit (pre 11-93)                     |
|   |                        |   | KIT 2437                  | Main differential nest with spider 2.56-50 spline     |
|   |                        |   | KIT 2491                  | IAD nest without case, without spider                 |
|   |                        |   | KIT 2678                  | Helical gear cover update                             |
|   |                        |   | KIT 2885                  | Bearing cage shim kit (post 11-93)                    |
|   |                        |   | KIT 4441                  | Bearing kit all except 6.83, 7.17, 7.40 & 7.83 ratios |
|   |                        |   | KIT 4442                  | Bearing kit, 6.83, 7.17, 7.40 & 7.83 ratios           |
|   |                        |   | KIT 4445                  | Bearing update kit - L.H.                             |
|   |                        | KIT 4446  | Bearing update kit - R.H. |   |
|   |                        | KIT RP35380A  | Major overhaul kit        |   |
|   |                        | MPS 3355  | Helical gear kit          |   |
|   |                        | 3200-M-1625   | KIT 1554                  | Pinion bearing spacer kit                             |
|   |                        |   | KIT 2432                  | Bearing cage shim kit (pre 11-93)                     |
|   |                        |   | KIT 2437                  | Main differential nest with spider 2.56-50 spline     |
|   |                        |   | KIT 2885                  | Bearing cage shim kit (post 11-93)                    |
|   |                        |   | KIT 4450                  | Bearing kit all ratios                                |
|   |                        |   | KIT 4445                  | Bearing update kit - L.H.                             |
|   |                        |   | KIT 4446                  | Bearing update kit - R.H.                             |
| KIT RR35380                                   | Major overhaul kit     |   |                           |   |
| 3200-M-1833                                   | KIT 1554               | Pinion bearing spacer kit                             |                           |   |
|   | KIT 2432               | Bearing cage shim kit (pre 11-93)                     |                           |   |
|   | KIT 2437               | Main differential nest with spider 2.56-50 spline     |                           |   |
|   | KIT 2885               | Bearing cage shim kit (post 11-93)                    |                           |   |
|   | KIT 4443               | Bearing kit all except 6.83, 7.17, 7.40 & 7.83 ratios |                           |   |
|   | KIT 4444               | Bearing kit, 6.83, 7.17, 7.40 & 7.83 ratios           |                           |   |
|   | KIT 4445               | Bearing update kit - L.H.                             |                           |   |
|   | KIT 4446               | Bearing update kit - R.H.                             |                           |   |
| KIT RR35380A                                  | Major overhaul kit     |   |                           |   |

## SERVICE KITS

### A2-3200-A-1899S

| ITEM | PART NUMBER    | QTY. | DESCRIPTION              | REMARKS                            |
|------|----------------|------|--------------------------|------------------------------------|
| 1    | A2-3200-A-1899 | 1    | Carrier and cap assy.    | Malleable with screw-in diff. lock |
| 2    | A3261-A-1067   | 1    | Housing - shift cylinder |                                    |
| 3    | 2230-T-1190    | 1    | Piston                   |                                    |
| 4    | 5-X-521        | 1    | O-ring                   |                                    |
| 5    | 41-X-1368      | 1    | Caging bolt              |                                    |
| 6    | 2244-Z-1222    | 1    | Push rod                 |                                    |
| 7    | 3296-D-1174    | 1    | Fork - shift             |                                    |
| 8    | 2258-N-1262    | 1    | Spring                   |                                    |
| 9    | 2206-L-1156    | 1    | Fitting - elbow          |                                    |

### KIT 1536

| ITEM | PART NUMBER | QTY. | DESCRIPTION             | REMARKS                    |
|------|-------------|------|-------------------------|----------------------------|
| 1    | 1229-L-2430 | 2    | Snap ring - .088" thick | Output shaft snap ring kit |
| 2    | 1229-M-2431 | 2    | Snap ring - .091" thick |                            |
| 3    | 1229-N-2432 | 2    | Snap ring - .094" thick |                            |
| 4    | 1229-P-2434 | 2    | Snap ring - .097" thick |                            |
| 5    | 1229-Q-2435 | 2    | Snap ring - .100" thick |                            |
| 6    | 1229-R-2436 | 2    | Snap ring - .103" thick |                            |
| 7    | 1229-S-2437 | 2    | Snap ring - .106" thick |                            |
| 8    | 1229-T-2438 | 2    | Snap ring - .109" thick |                            |
| 9    | 1229-U-2439 | 2    | Snap ring - .112" thick |                            |

### KIT 1554

| ITEM | PART NUMBER | QTY. | DESCRIPTION          | REMARKS                    |
|------|-------------|------|----------------------|----------------------------|
| 1    | 2203-U-7899 | 2    | Spacer - .326" thick | Pinion bearing spacer kit. |
| 2    | 2203-V-7900 | 2    | Spacer - .327" thick |                            |
| 3    | 2203-W-7901 | 2    | Spacer - .328" thick |                            |
| 4    | 2203-X-7902 | 2    | Spacer - .329" thick |                            |
| 5    | 2203-Y-7903 | 2    | Spacer - .330" thick |                            |
| 6    | 2203-Z-7904 | 2    | Spacer - .331" thick |                            |
| 7    | 2203-A-7905 | 2    | Spacer - .332" thick |                            |
| 8    | 2203-B-7906 | 2    | Spacer - .338" thick |                            |
| 9    | 2203-C-7907 | 2    | Spacer - .345" thick |                            |
| 10   | 2203-D-7908 | 2    | Spacer - .352" thick |                            |
| 11   | 2203-E-7909 | 2    | Spacer - .359" thick |                            |

### KIT 1592

| ITEM | PART NUMBER | QTY. | DESCRIPTION                    | REMARKS |
|------|-------------|------|--------------------------------|---------|
| 1    | 2803-Y-2755 | 4    | Shim - .002 inch/.050 mm thick | All     |
| 2    | 2803-Z-2756 | 2    | Shim - .005 inch/.125 mm thick |         |
| 3    | 2803-A-2757 | 4    | Shim - .008 inch/.200 mm thick |         |
| 4    | 2803-B-2758 | 1    | Shim - .020 inch/.500 mm thick |         |

## SERVICE KITS

### KIT 1593

| ITEM | PART NUMBER | QTY. | DESCRIPTION                      | REMARKS                |
|------|-------------|------|----------------------------------|------------------------|
| 1    | 2803-D-2500 | 2    | Spacer - .250 inch/6.35 mm thick | Pinion bearing spacers |
| 2    | 2803-E-2501 | 2    | Spacer - .251 inch/6.38 mm thick |                        |
| 3    | 2803-F-2502 | 2    | Spacer - .252 inch/6.40 mm thick |                        |
| 4    | 2803-N-2510 | 2    | Spacer - .253 inch/6.43 mm thick |                        |
| 5    | 2803-G-2503 | 2    | Spacer - .254 inch/6.45 mm thick |                        |
| 6    | 2803-H-2504 | 2    | Spacer - .256 inch/6.50 mm thick |                        |
| 7    | 2803-J-2506 | 2    | Spacer - .260 inch/6.60 mm thick |                        |
| 8    | 2803-K-2507 | 2    | Spacer - .261 inch/6.63 mm thick |                        |
| 9    | 2803-L-2508 | 2    | Spacer - .262 inch/6.65 mm thick |                        |
| 10   | 2803-M-2509 | 2    | Spacer - .263 inch/6.68 mm thick |                        |

### KIT 1594

| ITEM | PART NUMBER | QTY. | DESCRIPTION | REMARKS  |
|------|-------------|------|-------------|--|
| 1    | 40-X-1182   | 16   | Nut - lock  | 3200-C-1381, 3200-U-1399,<br>Gear to case bolt kit to be used with gearsets without<br>counter bores in the ring gear bolt hole area only. |
| 2    | 41-X-1358   | 16   | Capscrew    |  |
| 3    | 1229-U-1503 | 16   | Washer      |  |

### KIT 2318

| ITEM | PART NUMBER | QTY. | DESCRIPTION                            | REMARKS                          |
|------|-------------|------|--|----------------------------------|
| 1    | 2233-M-1001 | 4    | Pinion - diff.                         | Main diff. kit with spider., All |
| 2    | 2234-C-1069 | 2    | Side gear - diff. (2.36 in.-46 spline) |                                  |
| 3    | 3278-W-335  | 1    | Spider (differential cross)            |                                  |
| 4    | 1229-L-3002 | 2    | Washer - side gear thrust              |                                  |
| 5    | 1229-K-3001 | 4    | Washer - diff. pinion                  |                                  |

### KIT 2341

| ITEM | PART NUMBER | QTY. | DESCRIPTION                            | REMARKS                          |
|------|-------------|------|--|----------------------------------|
| 1    | 1229-L-3002 | 2    | Washer - side gear thrust              | All, Main diff. kit less spider. |
| 2    | 2234-C-1069 | 2    | Side gear - diff. (2.36 in.-46 spline) |                                  |
| 3    | 2233-M-1001 | 4    | Pinion - diff.                         |                                  |
| 4    | 1229-K-3001 | 4    | Washer - diff. pinion                  |                                  |

## SERVICE KITS

### KIT 2342

| ITEM | PART NUMBER | QTY. | DESCRIPTION | REMARKS                             |
|------|-------------|------|-------------|-------------------------------------|
| 1    | 1227-N-1340 | 16   | Nut         | 3200-M-1833, Gear to case bolt kit. |
| 2    | 1229-U-1555 | 16   | Washer      |                                     |
| 3    | 15-X-1700   | 16   | Bolt        |                                     |

### KIT 2363

| ITEM | PART NUMBER | QTY. | DESCRIPTION              | REMARKS                   |
|------|-------------|------|--------------------------|---------------------------|
| 1    | 1227-P-1056 | 1    | Nut - sensor adjusting   | 3200-C-1381 & 3200-U-1399 |
| 2    | 2257-M-1235 | 1    | Clip - sensor/switch     |                           |
| 3    | 3107-Z-78   | 1    | Shift collar             |                           |
| 4    | 3237-W-1167 | 1    | Sensor - switch assembly |                           |
| 5    | 3296-N-1184 | 1    | Shift fork               |                           |
| 6    | KIT 2282    | 1    | Diff. lock kit           |                           |

### KIT 2373

| ITEM | PART NUMBER | QTY. | DESCRIPTION                            | REMARKS   |
|------|-------------|------|--|---|
| 1    | 1229-K-3001 | 4    | Washer - diff. pinion                  | 3200-C-1381, 3200-U-1399,<br>3200-K-1753, 3200-Q-1791,<br>3200-J-1804, 3200-A-1899,<br>Main diff. kit with spider |
| 2    | 1229-L-3002 | 2    | Washer - side gear thrust              |   |
| 3    | 2233-M-1001 | 4    | Pinion - diff.                         |   |
| 4    | 2234-P-1004 | 2    | Side gear - diff. (2.56 in.-50 spline) |   |
| 5    | 3278-W-335  | 1    | Spider (differential cross)            |   |

### KIT 2374

| ITEM | PART NUMBER | QTY. | DESCRIPTION                            | REMARKS   |
|------|-------------|------|--|---|
| 1    | 1229-K-3001 | 4    | Washer - diff. pinion                  | 3200-C-1381, 3200-U-1399,<br>3200-K-1753, 3200-Q-1791,<br>3200-J-1804, 3200-A-1899,<br>Main diff. kit less spider |
| 2    | 1229-L-3002 | 2    | Washer - side gear thrust              |   |
| 3    | 2233-M-1001 | 4    | Pinion - diff.                         |   |
| 4    | 2234-P-1004 | 2    | Side gear - diff. (2.56 in.-50 spline) |   |

### KIT 2421

| ITEM | PART NUMBER | QTY. | DESCRIPTION                    | REMARKS   |
|------|-------------|------|--------------------------------|---|
| 1    | 2233-K-245  | 4    | Pinion - diff.                 | IAD nest with spider, 3200-M-1833,<br>3200-M-1625 |
| 2    | 2234-F-890  | 1    | Side gear (2.00 in.-39 spline) |   |
| 3    | 3892-W-4963 | 1    | Side gear - helical gear       |   |
| 4    | 3278-N-300  | 1    | Spider (differential cross)    |   |
| 5    | 1229-L-2742 | 1    | Washer - side gear thrust      |   |
| 6    | 1229-Q-2929 | 4    | Washer - pinion thrust         |   |

## SERVICE KITS

### KIT 2422

| ITEM | PART NUMBER | QTY. | DESCRIPTION                    | REMARKS   |
|------|-------------|------|--------------------------------|---|
| 1    | 2233-K-245  | 4    | Pinion - diff.                 | IAD nest with spider, 3200-M-1625,<br>3200-M-1833 |
| 2    | 2234-F-890  | 1    | Side gear (2.00 in.-39 spline) |   |
| 3    | 3892-Y-4965 | 1    | Side gear - helical gear       |   |
| 4    | 3278-N-300  | 1    | Spider (differential cross)    |   |
| 5    | 1229-L-2742 | 1    | Washer - side gear thrust      |   |
| 6    | 1229-Q-2929 | 4    | Washer - pinion thrust         |   |

### KIT 2432

| ITEM | PART NUMBER | QTY. | DESCRIPTION        | REMARKS  |
|------|-------------|------|--------------------|--|
| 1    | 2203-C-6607 | 1    | Shim - .003" thick | 3200-M-1625, 3200-M-1833. Pre 11/93. See<br>KIT 2885 for post 11/93. |
| 2    | 2203-D-6608 | 1    | Shim - .005" thick |  |
| 3    | 2203-E-6609 | 4    | Shim - .010" thick |  |
| 4    | 2203-Z-6604 | 3    | Shim - .003" thick |  |
| 5    | 2203-A-6605 | 4    | Shim - .005" thick |  |
| 6    | 2203-B-6606 | 1    | Shim - .010" thick |  |

### KIT 2436

| ITEM | PART NUMBER | QTY. | DESCRIPTION                            | REMARKS  |
|------|-------------|------|--|--|
| 1    | 2234-C-1069 | 2    | Side gear - diff. (2.36 in.-46 spline) | 3200-M-1625, 3200-M-1833,<br>With diff. spider |
| 2    | 1229-L-3002 | 2    | Washer - side gear thrust              |  |
| 3    | 3278-Q-381  | 1    | Spider - differential                  |  |
| 4    | 2233-T-1112 | 4    | Pinion - differential                  |  |
| 5    | 1229-D-992  | 4    | Washer - differential pinion thrust    |  |

### KIT 2437

| ITEM | PART NUMBER | QTY. | DESCRIPTION                         | REMARKS  |
|------|-------------|------|-------------------------------------|--|
| 1    | 2234-G-1229 | 2    | Side gear (2.56 in.-50 spline)      | 3200-M-1625, 3200-M-1833,<br>With diff. spider |
| 2    | 1229-L-3002 | 2    | Washer - side gear thrust           |  |
| 3    | 3278-Q-381  | 1    | Spider - differential               |  |
| 4    | 2233-T-1112 | 4    | Pinion - differential               |  |
| 5    | 1229-D-992  | 4    | Washer - differential pinion thrust |  |

### KIT 2484

| ITEM | PART NUMBER | QTY. | DESCRIPTION                 | REMARKS                  |
|------|-------------|------|-----------------------------|--------------------------|
| 1    | 3892-W-4963 | 1    | Side gear - helical gear    | 3200-M-1625, 3200-M-1833 |
| 2    | 3892-J-4014 | 1    | Helical gear - drive pinion |                          |

## SERVICE KITS

### KIT 2490

| ITEM | PART NUMBER | QTY. | DESCRIPTION                    | REMARKS   |
|------|-------------|------|--------------------------------|---|
| 1    | 2233-K-245  | 4    | Pinion - diff.                 | IAD nest less spider, 3200-M-1625,<br>3200-M-1833 |
| 2    | 2234-F-890  | 1    | Side gear (2.00 in.-39 spline) |   |
| 3    | 3892-W-4963 | 1    | Side gear - helical gear       |   |
| 4    | 1229-L-2742 | 1    | Washer - side gear thrust      |   |
| 5    | 1229-Q-2929 | 4    | Washer - pinion thrust         |   |

### KIT 2491

| ITEM | PART NUMBER | QTY. | DESCRIPTION                    | REMARKS   |
|------|-------------|------|--------------------------------|---|
| 1    | 2233-K-245  | 4    | Pinion - diff.                 | 3200-M-1625, 3200-M-1833,<br>IAD nest less spider |
| 2    | 2234-F-890  | 1    | Side gear (2.00 in.-39 spline) |   |
| 3    | 3892-Y-4965 | 1    | Side gear - helical gear       |   |
| 4    | 1229-L-2742 | 1    | Washer - side gear thrust      |   |
| 5    | 1229-Q-2929 | 4    | Washer - pinion thrust         |   |

### KIT 2608

| ITEM | PART NUMBER | QTY. | DESCRIPTION | REMARKS  |
|------|-------------|------|-------------|--|
| 1    | 40-X-1182   | 16   | Nut - lock  | 3200-C-1381, 3200-U-1399,<br>3200-W-1791, 3200-J-1804,<br>Gear to case bolt kit to be used with gearsets with<br>counter bores in the ring gear bolt hole area only. |
| 2    | 41-X-1334   | 16   | Capscrew    |  |
| 3    | 1229-U-1503 | 16   | Washer      |  |

*XpresswayPlus.ArvinMeritor.com*



**XpresswayPlus.ArvinMeritor.com**  
For all of your parts-ordering needs

Don't forget about using *XpresswayPlus* for:

- Ordering parts online
- Order status
- Price and availability
- Invoice Lookup
- Parts Catalog
- Online e-mail or phone numbers for Customer Service, Information Services, Marketing, Catalog, and eSupport
- Reference Library
- The Company Store
- Literature
- Dealer/Distributor locator

XpresswayPlus is easy to use, can reduce phone calls, and save you valuable time.

## SERVICE KITS

### KIT 2630

| ITEM | PART NUMBER | QTY. | DESCRIPTION               | REMARKS   |
|------|-------------|------|---------------------------|---|
| 1    | 3266-F-1020 | 1    | Cover                     | 3200-W-1791, All bolt on style air cylinder cover except 3200-J-1752 & 3200-K-1753. |
| 2    | MWA-506     | 4    | Washer                    |   |
| 3    | 2208-L-1000 | 1    | Gasket                    |   |
| 4    | MS-210016-1 | 1    | Capscrew                  |   |
| 5    | 41-X-1364   | 4    | Capscrew - cylinder cover |   |
| 6    | 2208-H-944  | 1    | Gasket                    |   |
| 7    | 3196-F-32   | 1    | Tube - air cylinder       |   |
| 8    | 5-X-1153    | 1    | O-ring                    |   |
| 9    | 2230-N-170  | 1    | Piston                    |   |
| 10   | 42-X-1027   | 1    | Washer                    |   |
| 11   | 2244-Y-51   | 1    | Shift shaft               |   |
| 12   | 2258-L-714  | 1    | Spring                    |   |
| 13   | 43-X-1007   | 1    | Pin - shift fork          |   |
| 14   | 41-X-1333   | 1    | Capscrew                  |   |
| 15   | 2257-N-40   | 1    | Tie Strap                 |   |
| 16   | 3296-N-1184 | 1    | Shift fork                |   |
| 17   | 3107-L-1104 | 1    | Shift collar              |   |
| 18   | 3237-W-1167 | 1    | Sensor - switch assembly  |   |
| 19   | 1227-P-1056 | 1    | Nut - sensor adjusting    |   |
| 20   | 2257-M-1235 | 1    | Clip - sensor/switch      |   |
| 21   | 43-X-1006   | 1    | Pin - shift shaft         |   |

### KIT 2638

| ITEM | PART NUMBER | QTY. | DESCRIPTION | REMARKS               |
|------|-------------|------|-------------|-----------------------|
| 1    | 40-X-1233   | 1    | Nut - lock  | M45 x 1.5 nut thread. |
| 2    | 1229-W-4521 | 1    | Washer      |                       |

# MERITOR.

an *ArvinMeritor* brand

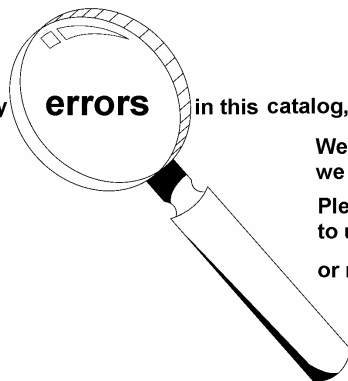


# SERVICE KITS

## KIT 2678

| ITEM | PART NUMBER    | QTY. | DESCRIPTION                 | REMARKS  |
|------|----------------|------|-----------------------------|--|
| 1    | A-3303-P-1030  | 1    | Oil pump assy.              | 3200-M-1625, 3200-M-1833,<br>Updates to current design pump. |
| 2    | 1229-E-1669    | 6    | Washer - flat               |  |
| 3    | MS-208045-1    | 6    | Capscrew                    |  |
| 4    | 2297-Z-5278    | 1    | Adaptor - filter            |  |
| 5    | 3280-V-8394    | 1    | Oil filter                  |  |
| 6    | 3280-Z-8398    | 1    | Filter - shield             |  |
| 7    | A-3297-N-1288  | 1    | Shaft - input assembly      |  |
| 8    | A-3226-H-1126  | 1    | Cage - bearing input        |  |
| 9    | S-2814A-2      | 6    | Capscrew                    |  |
| 10   | 1229-C-1511    | 6    | Washer - flat               |  |
| 11   | 3266-M-1313    | 1    | Cover - helical gear        |  |
| 12   | A-2297-D-5334  | 1    | Screen filter               |  |
| 13   | 5-X-1034       | 1    | O-ring                      |  |
| 14   | 5-X-1343       | 1    | O-ring                      |  |
| 15   | 2258-Z-1118    | 1    | Spring                      |  |
| 16   | 2297-U-5273    | 1    | Valve - relief              |  |
| 17   | 3296-Q-1187    | 1    | Fork - shift                |  |
| 18   | 2244-Y-1221    | 1    | Shaft - shif                |  |
| 19   | A4-3261-Q-1057 | 1    | I.A.D. shift cylinder assy. |  |
| 20   | 2203-K-9241    | 1    | Shim - .003 thick           |  |
| 21   | 2203-L-9242    | 1    | Shim - .005 thick           |  |
| 22   | 2203-M-9243    | 4    | Shim - .010 thick           |  |
| 23   | HM-813844      | 1    | Cone - bearing              |  |
| 24   | A1-1205-X-2728 | 1    | Oil seal assembly           |  |
| 25   | 1227-D-940     | 1    | Nut - input                 |  |

If you detect any **errors** in this catalog, please let us know.



We want the information to be as accurate as possible; we appreciate your help in making it so.

Please e-mail any comments/suggestions/corrections to us at: [catalogfeedback@arvinmeritor.com](mailto:catalogfeedback@arvinmeritor.com)

or mail to: ArvinMeritor  
attn: Catalog Dept.  
7975 Dixie Highway  
Florence, KY 41042

## SERVICE KITS

### KIT 2679

| ITEM | PART NUMBER    | QTY. | DESCRIPTION                 | REMARKS  |
|------|----------------|------|-----------------------------|--|
| 1    | A-3303-P-1030  | 1    | Oil pump assy.              | 3200-M-1625, 3200-M-1833<br>Updates to current design 380. |
| 2    | 1229-E-1669    | 6    | Washer - flat               |  |
| 3    | MS-208045-1    | 6    | Capscrew                    |  |
| 4    | 2297-Z-5278    | 1    | Adaptor - filter            |  |
| 5    | 3280-V-8394    | 1    | Oil filter                  |  |
| 6    | 3280-Z-8398    | 1    | Filter - shield             |  |
| 7    | A-3297-N-1288  | 1    | Shaft - input assembly      |  |
| 8    | A-3226-H-1126  | 1    | Cage - bearing input        |  |
| 9    | S-2814A-2      | 7    | Capscrew                    |  |
| 10   | 1229-C-1511    | 7    | Washer - flat               |  |
| 11   | 3266-Q-1317    | 1    | Helical Gear Cover          |  |
| 12   | A-2297-D-5334  | 1    | Screen filter               |  |
| 13   | 5-X-1343       | 1    | O-ring                      |  |
| 14   | 5-X-1034       | 1    | O-ring                      |  |
| 15   | 2258-Z-1118    | 1    | Spring                      |  |
| 16   | 2297-U-5273    | 1    | Valve - relief              |  |
| 17   | 3296-Q-1187    | 1    | Fork - shift                |  |
| 18   | 2244-Y-1221    | 1    | Shaft - shif                |  |
| 19   | A4-3261-Q-1057 | 1    | I.A.D. shift cylinder assy. |  |
| 20   | A1-1205-X-2728 | 1    | Seal Assembly               |  |
| 21   | 1227-D-940     | 1    | Nut - input                 |  |
| 22   | HM-813844      | 1    | Cone – bearing              |  |
| 23   | 2203-K-9241    | 1    | Shim - .003 thick           |  |
| 24   | 2203-L-9242    | 1    | Shim - .005 thick           |  |
| 25   | 2203-M-9243    | 4    | Shim - .010 thick           |  |

### KIT 2699

| ITEM | PART NUMBER   | QTY. | DESCRIPTION              | REMARKS                            |
|------|---------------|------|--------------------------|------------------------------------|
| 1    | 2244-Z-1222   | 1    | Push rod                 | Screw-in style air cylinder cover. |
| 2    | 2257-M-1235   | 1    | Clip - sensor/switch     |                                    |
| 3    | 2258-N-1262   | 1    | Spring                   |                                    |
| 4    | 3107-L-1104   | 1    | Shift collar             |                                    |
| 5    | 3237-W-1167   | 1    | Sensor - switch assembly |                                    |
| 6    | A-3261-A-1067 | 1    | Housing – shift cylinder |                                    |
| 7    | 3296-D-1174   | 1    | Fork – shift             |                                    |
| 8    | 41-X-1368     | 1    | Caging bolt              |                                    |
| 9    | 5-X-521       | 1    | O-ring                   |                                    |

## SERVICE KITS

### KIT 2731

| ITEM | PART NUMBER     | QTY. | DESCRIPTION              | REMARKS   |
|------|-----------------|------|--------------------------|---|
| 1    | A2-3200-A-1899S | 1    | Carrier retrofit         | With diff. lock (2.93-4.30 ratios), 3200-U-1399,<br>3200-W-1791 |
| 2    | A-1-3235-K-2143 | 1    | Differential case assy.  |   |
| 3    | NP-022042       | 1    | Cup - bearing            |   |
| 4    | NP-579116       | 1    | Cone - bearing           |   |
| 5    | JM-822010       | 1    | Cup - bearing            |   |
| 6    | JM-822049       | 1    | Cone - bearing           |   |
| 7    | 2214-G-1125     | 1    | Adjusting ring - bearing |   |
| 8    | 2214-S-1137     | 1    | Adjusting ring - bearing |   |

### KIT 2731A

| ITEM | PART NUMBER     | QTY. | DESCRIPTION              | REMARKS   |
|------|-----------------|------|--------------------------|---|
| 1    | A2-3200-A-1899S | 1    | Carrier retrofit         | With diff. lock (4.56-7.83 ratios), 3200-U-1399,<br>3200-W-1791 |
| 2    | A-3235-M-2145   | 1    | Differential case assy.  |   |
| 3    | NP-022042       | 1    | Cup - bearing            |   |
| 4    | NP-579116       | 1    | Cone - bearing           |   |
| 5    | JM-822010       | 1    | Cup - bearing            |   |
| 6    | JM-822049       | 1    | Cone - bearing           |   |
| 7    | 2214-G-1125     | 1    | Adjusting ring - bearing |   |
| 8    | 2214-S-1137     | 1    | Adjusting ring - bearing |   |

### KIT 2732

| ITEM | PART NUMBER    | QTY. | DESCRIPTION              | REMARKS  |
|------|----------------|------|--------------------------|--|
| 1    | A2-3200-J-1804 | 1    | Carrier & cap assembly   | Less diff.lock (2.93-4.30 ratios), 3200-U-1399,<br>3200-W-1791 |
| 2    | A-3235-K-2143  | 1    | Differential case assy.  |  |
| 3    | NP-022042      | 1    | Cup - bearing            |  |
| 4    | NP-579116      | 1    | Cone - bearing           |  |
| 5    | JM-822010      | 1    | Cup - bearing            |  |
| 6    | JM-822049      | 1    | Cone - bearing           |  |
| 7    | 2214-G-1125    | 1    | Adjusting ring - bearing |  |
| 8    | 2214-S-1137    | 1    | Adjusting ring - bearing |  |

### KIT 2732A

| ITEM | PART NUMBER     | QTY. | DESCRIPTION              | REMARKS   |
|------|-----------------|------|--------------------------|---|
| 1    | A2-3200-J-1804  | 1    | Carrier & cap assembly   | Less diff. lock (4.56-7.83 ratios), 3200-U-1399,<br>3200-W-1791 |
| 2    | A-1-3235-M-2145 | 1    | Differential case assy.  |   |
| 3    | NP-022042       | 1    | Cup - bearing            |   |
| 4    | NP-579116       | 1    | Cone - bearing           |   |
| 5    | JM-822010       | 1    | Cup - bearing            |   |
| 6    | JM-822049       | 1    | Cone - bearing           |   |
| 7    | 2214-G-1125     | 1    | Adjusting ring - bearing |   |
| 8    | 2214-S-1137     | 1    | Adjusting ring - bearing |   |

## SERVICE KITS

### KIT 2744

| ITEM | PART NUMBER | QTY. | DESCRIPTION    | REMARKS  |
|------|-------------|------|----------------|--|
| 1    | NP-022042   | 1    | Cup - bearing  | 3200-C-1381, 3200-U-1399, 3200-W-1791,<br>3200-J-1804, 3200-A-1899, 3200-A-1899,<br>3200-J-1752, 3200-K-1753 |
| 2    | NP-579116   | 1    | Cone - bearing |  |
|      |             |      |                |  |

### KIT 2791

| ITEM | PART NUMBER | QTY. | DESCRIPTION              | REMARKS   |
|------|-------------|------|--------------------------|---|
| 1    | 1229-U-1503 | 2    | Washer                   | 3200-J-1752, 3200-K-1753,<br>Diff. lock retrofit kit with bolt-on style air cyl. cover for<br>2.35 in.-46 spline collar.<br>(For complete retrofit, must change passenger side<br>axle shaft with an extended splined axle shaft for<br>DCDL. See pages 21-23 for axle shaft listings.) |
| 2    | 2208-H-944  | 1    | Gasket                   |   |
| 3    | 2208-L-1000 | 1    | Gasket                   |   |
| 4    | 2230-N-170  | 1    | Piston                   |   |
| 5    | 2244-Z-52   | 1    | Shifter shaft            |   |
| 6    | 2258-L-714  | 1    | Spring                   |   |
| 7    | 3107-A-1041 | 1    | Collar                   |   |
| 8    | 3196-F-32   | 1    | Tube - air cylinder      |   |
| 9    | 3237-W-1167 | 1    | Sensor - switch assembly |   |
| 10   | 3266-F-1020 | 1    | Cover                    |   |
| 11   | 3296-A-1197 | 1    | Shift fork               |   |
| 12   | 41-X-1364   | 4    | Capscrew                 |   |
| 13   | 41-X-1333   | 1    | Capscrew                 |   |
| 14   | 43-X-1006   | 1    | Pin - shift shaft        |   |
| 15   | 5-X-1153    | 1    | O-ring                   |   |
| 16   | MS-210016-1 | 1    | Capscrew                 |   |
| 17   | MWA-506     | 4    | Washer                   |   |

### KIT 2791A

| ITEM | PART NUMBER | QTY. | DESCRIPTION              | REMARKS   |
|------|-------------|------|--------------------------|---|
| 1    | 3266-F-1020 | 1    | Cover                    | 3200-J-1752, 3200-K-1753.<br>Diff. lock retrofit kit with bolt-on style air cyl. cover for<br>2.56 in.-50 spline collar.<br>(For complete retrofit, must change passenger side<br>axle shaft with an extended splined axle shaft for<br>DCDL. See pages 21-23 for axle shaft listings.) |
| 2    | 3296-A-1197 | 1    | Shift fork               |   |
| 3    | 3107-V-1010 | 1    | Collar                   |   |
| 4    | 2244-Z-52   | 1    | Shifter shaft            |   |
| 5    | 3196-F-32   | 1    | Tube - air cylinder      |   |
| 6    | 2230-N-170  | 1    | Piston                   |   |
| 7    | 43-X-1006   | 1    | Pin - shift shaft        |   |
| 8    | 2258-L-714  | 1    | Spring                   |   |
| 9    | 5-X-1153    | 1    | O-ring                   |   |
| 10   | 2208-H-944  | 1    | Gasket                   |   |
| 11   | MWA-506     | 4    | Washer                   |   |
| 12   | 41-X-1364   | 4    | Capscrew                 |   |
| 13   | 2208-L-1000 | 1    | Gasket                   |   |
| 14   | MS-210016-1 | 1    | Capscrew                 |   |
| 15   | 41-X-1333   | 1    | Capscrew                 |   |
| 16   | 3237-W-1167 | 1    | Sensor - switch assembly |   |
| 17   | 1229-U-1503 | 2    | Washer                   |   |

## SERVICE KITS

### KIT 2792

| ITEM | PART NUMBER | QTY. | DESCRIPTION         | REMARKS   |
|------|-------------|------|---------------------|---|
| 1    | 2208-H-944  | 1    | Gasket              | 3200-J-1752, 3200-K-1753,<br>Major diff. lock repair kit. |
| 2    | 2208-L-1000 | 1    | Gasket              |   |
| 3    | 2230-N-170  | 1    | Piston              |   |
| 4    | 2244-Z-52   | 1    | Shifter shaft       |   |
| 5    | 2258-L-714  | 1    | Spring              |   |
| 6    | 3196-F-32   | 1    | Tube - air cylinder |   |
| 7    | 3266-F-1020 | 1    | Cover               |   |
| 8    | 41-X-1094   | 4    | Capscrew            |   |
| 9    | 41-X-1333   | 1    | Capscrew            |   |
| 10   | 43-X-1006   | 1    | Pin - shift shaft   |   |
| 11   | 5-X-1153    | 1    | O-ring              |   |
| 12   | MS-210016-1 | 1    | Capscrew            |   |
| 13   | MWA-506     | 4    | Washer              |   |

### KIT 2793

| ITEM | PART NUMBER | QTY. | DESCRIPTION       | REMARKS   |
|------|-------------|------|-------------------|---|
| 1    | 2208-H-944  | 1    | Gasket            | 3200-J-1752, 3200-K-1753,<br>Minor diff. lock repair kit. |
| 2    | 2208-L-1000 | 1    | Gasket            |   |
| 3    | 2230-N-170  | 1    | Piston            |   |
| 4    | 2258-L-714  | 1    | Spring            |   |
| 5    | 43-X-1006   | 1    | Pin - shift shaft |   |
| 6    | 5-X-1153    | 1    | O-ring            |   |

### KIT 2885

| ITEM | PART NUMBER | QTY. | DESCRIPTION        | REMARKS                                 |
|------|-------------|------|--------------------|---|
| 1    | 2203-K-9241 | 1    | Shim - .003" thick | Post 11/93. See KIT 2432 for pre 11/93. |
| 2    | 2203-L-9242 | 1    | Shim - .005" thick |   |
| 3    | 2203-M-9243 | 4    | Shim - .010" thick |   |
| 4    | 2203-Z-6604 | 4    | Shim - .003" thick |   |
| 5    | 2203-A-6605 | 4    | Shim - .005" thick |   |
| 6    | 2203-B-6606 | 1    | Shim - .010" thick |   |

### KIT 2886

| ITEM | PART NUMBER | QTY. | DESCRIPTION        | REMARKS     |
|------|-------------|------|--------------------|-------------|
| 1    | 2203-K-9241 | 3    | Shim - .003" thick | Post 11/93. |
| 2    | 2203-L-9242 | 3    | Shim - .005" thick |             |
| 3    | 2203-M-9243 | 4    | Shim - .010" thick |             |

## SERVICE KITS

### KIT 4435

| ITEM | PART NUMBER    | QTY. | DESCRIPTION                       | REMARKS  |
|------|----------------|------|-----------------------------------|--|
| 1    | H-715334       | 1    | Cone - drive pinion outer bearing | 3200-C-1381, 3200-U-1399,<br>All ratios except 6.83, 7.17, 7.40 & 7.83 |
| 2    | H-715311       | 1    | Cup - drive pinion outer bearing  |  |
| 3    | 1228-V-594     | 1    | Cone - drive pinion inner bearing |  |
| 4    | 9220           | 1    | Cup - drive pinion inner bearing  |  |
| 5    | JHM-720210     | 1    | Cup - diff. bearing L.H.          |  |
| 6    | JHM-720249     | 1    | Cone - diff. bearing L.H.         |  |
| 7    | 1228-S-1267    | 1    | Spigot bearing                    |  |
| 8    | A1-1205-A-2731 | 1    | Oil seal assembly                 |  |
| 9    | 64700          | 1    | Cup - diff. bearing R.H.          |  |
| 10   | 64450          | 1    | Cone - diff. bearing R.H.         |  |

### KIT 4436

| ITEM | PART NUMBER    | QTY. | DESCRIPTION                       | REMARKS  |
|------|----------------|------|-----------------------------------|--|
| 1    | H-715334       | 1    | Cone - drive pinion outer bearing | 6.83, 7.17, 7.40 & 7.83 ratios only, 3200-C-1381,<br>3200-U-1399 |
| 2    | H-715311       | 1    | Cup - drive pinion outer bearing  |  |
| 3    | 1228-V-594     | 1    | Cone - drive pinion inner bearing |  |
| 4    | 9220           | 1    | Cup - drive pinion inner bearing  |  |
| 5    | JHM-720210     | 1    | Cup - diff. bearing L.H.          |  |
| 6    | JHM-720249     | 1    | Cone - diff. bearing L.H.         |  |
| 7    | 1228-A-261     | 1    | Spigot bearing                    |  |
| 8    | A1-1205-A-2731 | 1    | Oil seal assembly                 |  |
| 9    | 64700          | 1    | Cup - diff. bearing R.H.          |  |
| 10   | 64450          | 1    | Cone - diff. bearing R.H.         |  |

### KIT 4437

| ITEM | PART NUMBER    | QTY. | DESCRIPTION                       | REMARKS   |
|------|----------------|------|-----------------------------------|---|
| 1    | H-715334       | 1    | Cone - drive pinion outer bearing | All ratios except 6.83, 7.17, 7.40 & 7.83,<br>3200-W-1791, 3200-A-1899, 3200-J-1804,<br>3200-S-1839 |
| 2    | H-715311       | 1    | Cup - drive pinion outer bearing  |   |
| 3    | 1228-V-594     | 1    | Cone - drive pinion inner bearing |   |
| 4    | 9220           | 1    | Cup - drive pinion inner bearing  |   |
| 5    | NP-022042      | 1    | Cup - bearing                     |   |
| 6    | NP-579116      | 1    | Cone - bearing                    |   |
| 7    | 1228-S-1267    | 1    | Spigot bearing                    |   |
| 8    | A1-1205-A-2731 | 1    | Oil seal assembly                 |   |
| 9    | JM-822010      | 1    | Cup - bearing                     |   |
| 10   | JM-822049      | 1    | Cone - bearing                    |   |

## SERVICE KITS

### KIT 4438

| ITEM | PART NUMBER    | QTY. | DESCRIPTION                       | REMARKS  |
|------|----------------|------|-----------------------------------|--|
| 1    | H-715334       | 1    | Cone - drive pinion outer bearing | 6.83, 7.17, 7.40 & 7.83 ratios only, 3200-W-1791,<br>3200-A-1899, 3200-J-1804, 3200-S-1839 |
| 2    | H-715311       | 1    | Cup - drive pinion outer bearing  |  |
| 3    | 1228-V-594     | 1    | Cone - drive pinion inner bearing |  |
| 4    | 9220           | 1    | Cup - drive pinion inner bearing  |  |
| 5    | NP-022042      | 1    | Cup - bearing                     |  |
| 6    | NP-579116      | 1    | Cone - bearing                    |  |
| 7    | 1228-A-261     | 1    | Spigot bearing                    |  |
| 8    | A1-1205-A-2731 | 1    | Oil seal assembly                 |  |
| 9    | JM-822010      | 1    | Cup - bearing                     |  |
| 10   | JM-822049      | 1    | Cone - bearing                    |  |

### KIT 4440

| ITEM | PART NUMBER    | QTY. | DESCRIPTION                           | REMARKS     |
|------|----------------|------|---------------------------------------|-------------|
| 1    | A-1228-R-1266  | 1    | Race - pinion bearing outer (spigot)  | 3200-M-1625 |
| 2    | 78551          | 2    | Cup - pinion bearing inner and outer  |             |
| 3    | 78250AC        | 2    | Cone - pinion bearing inner and outer |             |
| 4    | 52387P         | 1    | Cone - diff. bearing L.H.             |             |
| 5    | 52618P         | 1    | Cup - diff bearing L.H.               |             |
| 6    | NP-928171      | 1    | Cone - diff. bearing R.H.             |             |
| 7    | NP-718759      | 1    | Cup - diff. bearing R.H.              |             |
| 8    | A-1228-Z-572   | 1    | Bearing - pump idler gear             |             |
| 9    | 382AK          | 2    | Cup - bearing                         |             |
| 10   | 385AK          | 2    | Cone - bearing                        |             |
| 11   | A-1205-C-1927  | 1    | Oil seal assembly                     |             |
| 12   | 1229-T-4076    | 1    | Snap ring                             |             |
| 13   | A1-1205-X-2728 | 1    | Oil seal assembly                     |             |
| 14   | JM-515610      | 1    | Cup - rear side gear bearing          |             |
| 15   | JM-515649      | 1    | Cone - rear side gear bearing         |             |
| 16   | HM-813810      | 1    | Cup - bearing                         |             |
| 17   | HM-813844      | 1    | Cone - bearing                        |             |
| 18   | 1221-R-1006    | 1    | Cup - bearing                         |             |
| 19   | 1221-S-1007    | 1    | Cone - bearing                        |             |

## SERVICE KITS

### KIT 4441

| ITEM | PART NUMBER    | QTY. | DESCRIPTION                           | REMARKS  |
|------|----------------|------|---------------------------------------|--|
| 1    | 1229-L-1624    | 1    | Snap ring                             | 3200-M-1833<br>All ratios except 6.83, 7.17, 7.40 & 7.83<br>For rear-rear 380s (which are less IAD) use<br>KIT 4443. |
| 2    | 78551          | 2    | Cup - pinion bearing inner and outer  |  |
| 3    | 78250AC        | 2    | Cone - pinion bearing inner and outer |  |
| 4    | 52387P         | 1    | Cone - diff. bearing L.H.             |  |
| 5    | 52618P         | 1    | Cup - diff bearing L.H.               |  |
| 6    | NP-718759      | 1    | Cup - diff. bearing R.H.              |  |
| 7    | NP-928171      | 1    | Cone - diff. bearing R.H.             |  |
| 8    | A-1228-Z-572   | 1    | Bearing - pump idler gear             |  |
| 9    | 382A           | 2    | Cup - bearing                         |  |
| 10   | 385A           | 2    | Cone - bearing                        |  |
| 11   | A-1205-C-1927  | 1    | Oil seal assembly                     |  |
| 12   | 1228-S-1267    | 1    | Spigot bearing                        |  |
| 13   | A1-1205-X-2728 | 1    | Oil seal assembly                     |  |
| 14   | JM-515610      | 1    | Cup - rear side gear bearing          |  |
| 15   | JM-515649      | 1    | Cone - rear side gear bearing         |  |
| 16   | HM-813810      | 1    | Cup - bearing                         |  |
| 17   | HM-813844      | 1    | Cone - bearing                        |  |

### KIT 4442

| ITEM | PART NUMBER    | QTY. | DESCRIPTION                           | REMARKS   |
|------|----------------|------|---------------------------------------|---|
| 1    | 1228-A-261     | 1    | Spigot bearing                        | 3200-M-1833<br>6.83, 7.17, 7.40 & 7.83 ratios only.<br>For rear-rear 380s (which are less IAD) use<br>KIT 4444. |
| 2    | 1229-K-1623    | 1    | Snap ring                             |   |
| 3    | 78551          | 2    | Cup - pinion bearing inner and outer  |   |
| 4    | 78250AC        | 2    | Cone - pinion bearing inner and outer |   |
| 5    | 52387P         | 1    | Cone - diff. bearing L.H.             |   |
| 6    | 52618P         | 1    | Cup - diff bearing L.H.               |   |
| 7    | NP-718759      | 1    | Cup - diff. bearing R.H.              |   |
| 8    | NP-928171      | 1    | Cone - diff. bearing R.H.             |   |
| 9    | A-1228-Z-572   | 1    | Bearing - pump idler gear             |   |
| 10   | 382A           | 2    | Cup - bearing                         |   |
| 11   | 385A           | 2    | Cone - bearing                        |   |
| 12   | A-1205-C-1927  | 1    | Oil seal assembly                     |   |
| 13   | A1-1205-X-2728 | 1    | Oil seal assembly                     |   |
| 14   | JM-515610      | 1    | Cup - rear side gear bearing          |   |
| 15   | JM-515649      | 1    | Cone - rear side gear bearing         |   |
| 16   | HM-813810      | 1    | Cup - bearing                         |   |
| 17   | HM-813844      | 1    | Cone - bearing                        |   |



## SERVICE KITS

### KIT 4443

| ITEM | PART NUMBER | QTY. | DESCRIPTION                           | REMARKS   |
|------|-------------|------|---------------------------------------|---|
| 1    | 1228-S-1267 | 1    | Spigot bearing                        | 3200-M-1833   |
| 2    | 78551       | 2    | Cup - pinion bearing inner and outer  | All less Inter-axle and less pump except ratios 6.83, 7.17, 7.40 & 7.83 |
| 3    | 78250AC     | 2    | Cone - pinion bearing inner and outer |   |
| 4    | 52387P      | 1    | Cone - diff. bearing L.H.             |   |
| 5    | 52618P      | 1    | Cup - diff bearing L.H.               |   |
| 6    | NP-718759   | 1    | Cup - diff. bearing R.H.              |   |
| 7    | NP-928171   | 1    | Cone - diff. bearing R.H.             |   |
| 8    | R945008     | 1    | Oil seal assembly                     |   |
| 9    | 29620       | 1    | Cup - input shaft inner bearing       |   |
| 10   | 29685       | 1    | Cone - input shaft inner bearing      |   |
| 11   | 493         | 1    | Cup - input shaft outer bearing       |   |
| 12   | 496         | 1    | Cone - input shaft outer bearing      |   |
| 13   | 1229-L-1624 | 1    | Snap ring                             |   |

### KIT 4444

| ITEM | PART NUMBER | QTY. | DESCRIPTION                           | REMARKS   |
|------|-------------|------|---------------------------------------|---|
| 1    | 1228-A-261  | 1    | Spigot bearing                        | 3200-M-1833   |
| 2    | 78551       | 2    | Cup - pinion bearing inner and outer  | All less Inter-axle and less pump for 6.83, 7.17, 7.40 & 7.83 ratios only |
| 3    | 78250AC     | 2    | Cone - pinion bearing inner and outer |   |
| 4    | 52387P      | 1    | Cone - diff. bearing L.H.             |   |
| 5    | 52618P      | 1    | Cup - diff bearing L.H.               |   |
| 6    | NP-718759   | 1    | Cup - diff. bearing R.H.              |   |
| 7    | NP-928171   | 1    | Cone - diff. bearing R.H.             |   |
| 8    | R945008     | 1    | Oil seal assembly                     |   |
| 9    | 29620       | 1    | Cup - input shaft inner bearing       |   |
| 10   | 29685       | 1    | Cone - input shaft inner bearing      |   |
| 11   | 493         | 1    | Cup - input shaft outer bearing       |   |
| 12   | 496         | 1    | Cone - input shaft outer bearing      |   |
| 13   | 1229-K-1623 | 1    | Snap ring                             |   |

### KIT 4445

| ITEM | PART NUMBER | QTY. | DESCRIPTION               | REMARKS                    |
|------|-------------|------|---------------------------|----------------------------|
| 1    | NP-718759   | 1    | Cup - diff. bearing L.H.  | 3200-M-1625, 3200-M-1833,  |
| 2    | NP-928171   | 1    | Cone - diff. bearing L.H. | Diff. bearing upgrade L.H. |

### KIT 4446

| ITEM | PART NUMBER | QTY. | DESCRIPTION               | REMARKS                    |
|------|-------------|------|---------------------------|----------------------------|
| 1    | 52387P      | 1    | Cone - diff. bearing R.H. | 3200-M-1625, 3200-M-1833,  |
| 2    | 52618P      | 1    | Cup - diff bearing R.H.   | Diff. bearing upgrade R.H. |

## SERVICE KITS

### KIT 4450

| ITEM | PART NUMBER    | QTY. | DESCRIPTION                           | REMARKS                                     |
|------|----------------|------|---------------------------------------|---|
| 1    | 78551          | 2    | Cup - pinion bearing inner and outer  | 3200-M-1625, All less I.A.D. and less pump. |
| 2    | 78250AC        | 2    | Cone - pinion bearing inner and outer |   |
| 3    | 52387P         | 1    | Cone - diff. bearing L.H.             |   |
| 4    | 52618P         | 1    | Cup - diff bearing L.H.               |   |
| 5    | NP-928171      | 1    | Cone - diff. bearing R.H.             |   |
| 6    | NP-718759      | 1    | Cup - diff. bearing R.H.              |   |
| 7    | 29620          | 1    | Cup - input shaft inner bearing       |   |
| 8    | 493            | 1    | Cup - input shaft outer bearing       |   |
| 9    | 29685          | 1    | Cone - input shaft inner bearing      |   |
| 10   | 496            | 1    | Cone - input shaft outer bearing      |   |
| 11   | 1221-R-1006    | 1    | Cup - bearing                         |   |
| 12   | R945008        | 1    | Oil seal assembly                     |   |
| 13   | A5-1228-R-1266 | 1    | Roller bearing assembly               |   |

### KIT 4459

| ITEM | PART NUMBER    | QTY. | DESCRIPTION                       | REMARKS  |
|------|----------------|------|-----------------------------------|--|
| 1    | A1-1205-A-2731 | 1    | Oil seal assembly                 | 3200-J-1752, 3200-K-1753,<br>All ratios except 6.83, 7.17, 7.40 and 7.83 |
| 2    | H-715334       | 1    | Cone - drive pinion outer bearing |  |
| 3    | H-715311       | 1    | Cup - drive pinion outer bearing  |  |
| 4    | 1228-V-594     | 1    | Cone - drive pinion inner bearing |  |
| 5    | 9220           | 1    | Cup - drive pinion inner bearing  |  |
| 6    | 64700          | 1    | Cup - diff. bearing R.H.          |  |
| 7    | 64450          | 1    | Cone - diff. bearing R.H.         |  |
| 8    | 1228-S-1267    | 1    | Spigot bearing                    |  |
| 9    | JHM-720249     | 1    | Cone - diff. bearing L.H.         |  |
| 10   | JHM-720210     | 1    | Cup - diff. bearing L.H.          |  |

### KIT 4460

| ITEM | PART NUMBER    | QTY. | DESCRIPTION                       | REMARKS   |
|------|----------------|------|-----------------------------------|---|
| 1    | A1-1205-A-2731 | 1    | Oil seal assembly                 | 3200-J-1752, 3200-K-1753,<br>6.83, 7.17, 7.40 and 7.83 ratios only. |
| 2    | H-715334       | 1    | Cone - drive pinion outer bearing |   |
| 3    | H-715311       | 1    | Cup - drive pinion outer bearing  |   |
| 4    | 1228-V-594     | 1    | Cone - drive pinion inner bearing |   |
| 5    | 9220           | 1    | Cup - drive pinion inner bearing  |   |
| 6    | 64700          | 1    | Cup - diff. bearing R.H.          |   |
| 7    | 64450          | 1    | Cone - diff. bearing R.H.         |   |
| 8    | 1228-A-261     | 1    | Spigot bearing                    |   |
| 9    | JHM-720249     | 1    | Cone - diff. bearing L.H.         |   |
| 10   | JHM-720210     | 1    | Cup - diff. bearing L.H.          |   |

## SERVICE KITS

### KIT 4744

| ITEM | PART NUMBER | QTY. | DESCRIPTION | REMARKS   |
|------|-------------|------|-------------|---|
| 1    | 10-X-1595   | 4    | Bolt        | 3200-K-1753, 3200-J-1752,<br>Carrier to axle housing bolt kit |
| 2    | 10-X-1597   | 2    | Blot        |   |
| 3    | 10-X-1599   | 4    | Bolt        |   |
| 4    | 1229-W-1557 | 14   | Washer      |   |
| 5    | 4-X-1445    | 4    | Stud        |   |
| 6    | N-110-1     | 4    | Nut         |   |

### KIT RP180 1625

| ITEM | PART NUMBER | QTY. | DESCRIPTION           | REMARKS   |
|------|-------------|------|-----------------------|---|
| 1    | KIT 2436    | 1    | Main differential kit | 3200-M-1625, Forward carrier with I.A.D. and main differential. |
| 2    | KIT 1554    | 1    | Spacer kit            |   |
| 3    | KIT 2432    | 1    | Shim kit              |   |
| 4    | KIT 2421    | 1    | I.A.D. kit            |   |
| 5    | KIT 1536    | 1    | Shim kit              |   |
| 6    | KIT 4440    | 1    | Bearing and seal kit  |   |
| 7    | 1227-D-940  | 1    | Nut - input           |   |
| 8    | 1227-J-946  | 1    | Nut - output shaft    |   |
| 9    | 1227-P-900  | 1    | Nut - pinion          |   |

### KIT RP180 1833

| ITEM | PART NUMBER | QTY. | DESCRIPTION           | REMARKS   |
|------|-------------|------|-----------------------|---|
| 1    | 1227-P-900  | 1    | Nut - pinion          | 3200-M-1833, Forward carrier with I.A.D. and main differential. |
| 2    | 1228-A-261  | 1    | Spigot bearing        |   |
| 3    | 1229-K-1623 | 1    | Snap ring             |   |
| 4    | 1227-D-940  | 1    | Nut - input           |   |
| 5    | 1227-J-946  | 1    | Nut - output shaft    |   |
| 6    | KIT 2432    | 1    | Shim kit              |   |
| 7    | KIT 2421    | 1    | I.A.D. kit            |   |
| 8    | KIT 1536    | 1    | Shim kit              |   |
| 9    | KIT 1554    | 1    | Spacer kit            |   |
| 10   | KIT 2436    | 1    | Main differential kit |   |
| 11   | KIT 2886    | 1    | Shim kit              |   |
| 12   | KIT 4441    | 1    | Bearing and seal kit  |   |

### KIT RP35380

| ITEM | PART NUMBER | QTY. | DESCRIPTION        | REMARKS   |
|------|-------------|------|--------------------|---|
| 1    | KIT 1554    | 1    | Spacer kit         | 3200-M-1625, Forward carrier with I.A.D. and main differential. |
| 2    | KIT 2432    | 1    | Shim kit           |   |
| 3    | KIT 1536    | 1    | Shim kit           |   |
| 4    | 1227-P-900  | 1    | Nut - pinion       |   |
| 5    | 1227-D-940  | 1    | Nut - input        |   |
| 6    | 1227-J-946  | 1    | Nut - output shaft |   |

## SERVICE KITS

### KIT RP35380A

| ITEM | PART NUMBER | QTY. | DESCRIPTION           | REMARKS   |
|------|-------------|------|-----------------------|---|
| 1    | KIT 2437    | 1    | Main differential kit | 3200-M-1833, Forward carrier with I.A.D. and main differential. |
| 2    | KIT 1554    | 1    | Spacer kit            |   |
| 3    | KIT 2432    | 1    | Shim kit              |   |
| 4    | KIT 2422    | 1    | I.A.D. kit            |   |
| 5    | KIT 1536    | 1    | Shim kit              |   |
| 6    | 1227-P-900  | 1    | Nut - pinion          |   |
| 7    | 1227-D-940  | 1    | Nut - input           |   |
| 8    | 1227-J-946  | 1    | Nut - output shaft    |   |
| 9    | KIT 4441    | 1    | Bearing and seal kit  |   |
| 10   | 1228-A-261  | 1    | Spigot bearing        |   |
| 11   | 1229-K-1623 | 1    | Snap ring             |   |
| 12   | KIT 2886    | 1    | Shim kit              |   |

### KIT RP380

| ITEM | PART NUMBER | QTY. | DESCRIPTION           | REMARKS  |
|------|-------------|------|-----------------------|--|
| 1    | KIT 2436    | 1    | Main differential kit | 3200-M-1625, For all double reduction front units with pump and I.A.D. except 70,000 lb. capacity tandems. |
| 2    | KIT 1554    | 1    | Spacer kit            |  |
| 3    | KIT 2432    | 1    | Shim kit              |  |
| 4    | KIT 2422    | 1    | I.A.D. kit            |  |
| 5    | KIT 1536    | 1    | Shim kit              |  |
| 6    | 1227-P-900  | 1    | Nut - pinion          |  |
| 7    | 1227-D-940  | 1    | Nut - input           |  |
| 8    | 1227-J-946  | 1    | Nut - output shaft    |  |
| 9    | KIT 4440    | 1    | Bearing and seal kit  |  |

### KIT RP380A

| ITEM | PART NUMBER | QTY. | DESCRIPTION           | REMARKS  |
|------|-------------|------|-----------------------|--|
| 1    | KIT 2436    | 1    | Main differential kit | 3200-M-1833, For all double reduction front units with pump and I.A.D. except 70,000 lb. capacity tandems. |
| 2    | KIT 1554    | 1    | Spacer kit            |  |
| 3    | KIT 2432    | 1    | Shim kit              |  |
| 4    | KIT 2422    | 1    | I.A.D. kit            |  |
| 5    | KIT 1536    | 1    | Shim kit              |  |
| 6    | KIT 2886    | 1    | Shim kit              |  |
| 7    | 1227-P-900  | 1    | Nut - pinion          |  |
| 8    | 1227-D-940  | 1    | Nut - input           |  |
| 9    | 1227-J-946  | 1    | Nut - output shaft    |  |
| 10   | KIT 4441    | 1    | Bearing and seal kit  |  |
| 11   | 1228-A-261  | 1    | Spigot bearing        |  |
| 12   | 1229-K-1623 | 1    | Snap ring             |  |

## SERVICE KITS

### KIT RR26185-1752

| ITEM | PART NUMBER | QTY. | DESCRIPTION                | REMARKS   |
|------|-------------|------|----------------------------|---|
| 1    | KIT 1592    | 1    | Shim kit                   | 2.35-46 spline. 3200-J-1752, 3200-K-1753.<br>Ratios 2.93-6.43 |
| 2    | KIT 1593    | 1    | Spacer kit                 |   |
| 3    | KIT 2318    | 1    | Main diff. kit with spider |   |
| 4    | KIT 4459    | 1    | Bearing and seal kit       |   |

### KIT RR26185A-1752

| ITEM | PART NUMBER | QTY. | DESCRIPTION                | REMARKS   |
|------|-------------|------|----------------------------|---|
| 1    | KIT 1592    | 1    | Shim kit                   | 2.35-46 spline. 3200-J-1752, 3200-K-1753.<br>Ratios 6.83-7.83 |
| 2    | KIT 1593    | 1    | Spacer kit                 |   |
| 3    | KIT 2318    | 1    | Main diff. kit with spider |   |
| 4    | KIT 4460    | 1    | Bearing and seal kit       |   |

### KIT RR35380

| ITEM | PART NUMBER | QTY. | DESCRIPTION           | REMARKS     |
|------|-------------|------|-----------------------|-------------|
| 1    | KIT 2437    | 1    | Main differential kit | 3200-M-1625 |
| 2    | KIT 1554    | 1    | Spacer kit            |             |
| 3    | KIT 2432    | 1    | Shim kit              |             |
| 4    | 1227-P-900  | 1    | Nut - pinion          |             |
| 5    | 1227-J-946  | 1    | Nut - output shaft    |             |
| 6    | KIT 4450    | 1    | Bearing and seal kit  |             |

### KIT RR35380A

| ITEM | PART NUMBER | QTY. | DESCRIPTION           | REMARKS     |
|------|-------------|------|-----------------------|-------------|
| 1    | KIT 2437    | 1    | Main differential kit | 3200-M-1833 |
| 2    | KIT 1554    | 1    | Spacer kit            |             |
| 3    | KIT 2432    | 1    | Shim kit              |             |
| 4    | 1227-P-900  | 1    | Nut - pinion          |             |
| 5    | 1227-J-946  | 1    | Nut - output shaft    |             |
| 6    | KIT 4443    | 1    | Bearing and seal kit  |             |
| 7    | 1228-A-261  | 1    | Spigot bearing        |             |
| 8    | 1229-K-1623 | 1    | Snap ring             |             |
| 9    | KIT 2886    | 1    | Shim kit              |             |

### KIT RR380

| ITEM | PART NUMBER | QTY. | DESCRIPTION           | REMARKS     |
|------|-------------|------|-----------------------|-------------|
| 1    | KIT 2436    | 1    | Main differential kit | 3200-M-1625 |
| 2    | KIT 1554    | 1    | Spacer kit            |             |
| 3    | KIT 2432    | 1    | Shim kit              |             |
| 4    | 1227-P-900  | 1    | Nut - pinion          |             |
| 5    | 1227-J-946  | 1    | Nut - output shaft    |             |
| 6    | KIT 4450    | 1    | Bearing and seal kit  |             |

### KIT RR380A

| ITEM | PART NUMBER | QTY. | DESCRIPTION           | REMARKS     |
|------|-------------|------|-----------------------|-------------|
| 1    | KIT 1554    | 1    | Spacer kit            | 3200-M-1833 |
| 2    | KIT 2432    | 1    | Shim kit              |             |
| 3    | KIT 2886    | 1    | Shim kit              |             |
| 4    | 1227-J-946  | 1    | Nut - output shaft    |             |
| 5    | 1227-P-900  | 1    | Nut - pinion          |             |
| 6    | 1228-A-261  | 1    | Spigot bearing        |             |
| 7    | KIT 2436    | 1    | Main differential kit |             |
| 8    | KIT 4443    | 1    | Bearing and seal kit  |             |

### KIT RS23180

| ITEM | PART NUMBER | QTY. | DESCRIPTION                | REMARKS                  |
|------|-------------|------|----------------------------|--------------------------|
| 1    | KIT 2318    | 1    | Main diff. kit with spider | 3200-C-1381, 3200-U-1399 |
| 2    | KIT 1592    | 1    | Shim kit                   |                          |
| 3    | KIT 1593    | 1    | Spacer kit                 |                          |
| 4    | KIT 4435    | 1    | Bearing and seal kit       |                          |

### KIT RS23180A

| ITEM | PART NUMBER | QTY. | DESCRIPTION                | REMARKS                               |
|------|-------------|------|----------------------------|---------------------------------------|
| 1    | KIT 1592    | 1    | Shim kit                   | 3200-W-1791, 3200-A-1899, 3200-J-1804 |
| 2    | KIT 1593    | 1    | Spacer kit                 |                                       |
| 3    | KIT 2318    | 1    | Main diff. kit with spider |                                       |
| 4    | KIT 4437    | 1    | Bearing and seal kit       |                                       |

### MPS 3355

| ITEM | PART NUMBER | QTY. | DESCRIPTION                 | REMARKS                  |
|------|-------------|------|-----------------------------|--------------------------|
| 1    | 3892-Y-4965 | 1    | Side gear - helical gear    | 3200-M-1625, 3200-M-1833 |
| 2    | 3892-B-4708 | 1    | Helical gear - drive pinion |                          |

# MERITOR

an *ArvinMeritor* brand

# XpresswayPlus.ArvinMeritor.com



**XpresswayPlus.ArvinMeritor.com**  
For all of your parts-ordering needs

Don't forget about using *XpresswayPlus* for:

- Ordering parts online
- Order status
- Price and availability
- Invoice Lookup
- Parts Catalog
- Online e-mail or phone numbers for Customer Service, Information Services, Marketing, Catalog, and eSupport
- Reference Library
- The Company Store
- Literature
- Dealer/Distributor locator

XpresswayPlus is easy to use, can reduce phone calls, and save you valuable time.

| <b>WHAT YOU NEED:</b>                        | <b>WHERE TO LOOK:</b> |
|--|-----------------------|
| ACCOUNT CHANGE                               | CUSTOMER SERVICE      |
| AFTERMARKET & PRODUCTION ASSEMBLIES          | CATALOG               |
| APPLICATION INFORMATION                      | CATALOG               |
| BILL-OF-LADING NUMBER                        | ORDER STATUS          |
| BILL-OF-MATERIAL                             | CATALOG               |
| BULLETINS                                    | REFERENCE LIBRARY     |
| CONTACT NAMES & NUMBERS                      | CUSTOMER SERVICE      |
| FIELD SUPPORT REPRESENTATIVES                | CUSTOMER SERVICE      |
| INVOICE (VIEW & PRINT)                       | ORDER STATUS          |
| NEWSLETTER                                   | REFERENCE LIBRARY     |
| ORDER DETAILS                                | ORDER STATUS          |
| ORDER HISTORY FILE                           | ORDER STATUS          |
| ORDER MERCHANDISE                            | COMPANY STORE         |
| ORDER SUBMIT                                 | CREATE NEW ORDER      |
| ORDER SUBMIT - STOCK UPLOAD (MULTIPLE LINES) | CREATE NEW ORDER      |
| PART DETAILS                                 | CATALOG               |
| PART IMAGES                                  | CATALOG               |
| PART NUMBER COMPARISON                       | CATALOG               |
| PARTS BOOKS                                  | REFERENCE LIBRARY     |
| PASSWORD CHANGE                              | CUSTOMER SERVICE      |
| PRICE (LIST)                                 | CATALOG               |
| PRICE (NET) & AVAILABILITY                   | PRICE & AVAILABILITY  |
| PRODUCT BROCHURES                            | REFERENCE LIBRARY     |
| PRODUCT UPDATES                              | REFERENCE LIBRARY     |
| PROOF-OF-DELIVERY                            | ORDER STATUS          |
| REQUEST-FOR-QUOTATION (FOR MERITOR BRAND)    | PRICE REQUEST         |
| SALES LITERATURE                             | REFERENCE LIBRARY     |
| SEND QUESTIONS, COMMENTS, ISSUES             | CONTACT US            |
| SHIPPER NUMBER                               | ORDER STATUS          |
| TECH TIPS                                    | REFERENCE LIBRARY     |
| TRACKING NUMBER                              | ORDER STATUS          |
| WARRANTY INFORMATION                         | REFERENCE LIBRARY     |
| WHERE-USED INFORMATION                       | CATALOG               |

## NUMERICAL PARTS LISTING

| PART NUMBER    | PAGE   | PART NUMBER    | PAGE              | PART NUMBER  | PAGE  |
|----------------|--------|----------------|-------------------|--------------|-------|
| 4-X-1051       | 17     | A-1205-S-1657  | 18                | 1229-R-2436  | 16    |
| 4-X-1929       | 17     | A-1205-Z-1820  | 18                | 1229-S-2437  | 16    |
| 5-X-521        | 14     | A-1205-C-1927  | 16                | 1229-T-2438  | 16    |
| 5-X-1034       | 5      | A-1205-R-2410  | 18                | 1229-U-2439  | 16    |
| 5-X-1153       | 14     | A-1205-Q-2591  | 9                 | 1229-L-2742  | 4     |
| 5-X-1198       | 14     | A1-1205-X-2728 | 5, 7              | 1229-Q-2929  | 4     |
| 10-X-1334      | 5      | 1220-K-89      | 11                | 1229-K-3001  | 13    |
| 10-X-1595      | 17     | 1220-S-1085    | 1                 | 1229-L-3002  | 2, 13 |
| 10-X-1596      | 17     | 1227-R-330     | 18                | 1229-T-3062  | 16    |
| 10-X-1597      | 17     | 1227-F-448     | 18                | 1229-F-4062  | 4     |
| 10-X-1599      | 17     | 1227-D-472     | 2, 10             | 1229-T-4076  | 2     |
| 10-X-1601      | 17     | 1227-W-517     | 18                | 1229-D-4632  | 9     |
| 10-X-1669      | 3, 5   | 1227-A-547     | 18                | 1229-F-4634S | 18    |
| 15-X-1167      | 2, 10  | 1227-P-900     | 3                 | 1244-U-879   | 18    |
| 15-X-1698      | 2      | 1227-D-940     | 5, 7              | 1246-M-455   | 2     |
| 15-X-1699      | 2      | 1227-J-946     | 7, 16             | 1246-Q-615   | 6     |
| 15-X-1700      | 1      | 1227-P-1056    | 15                | 1246-P-1134  | 11    |
| 40-X-1015      | 10     | 1227-M-1339    | 1                 | 1250-E-473   | 17    |
| 40-X-1182      | 12, 14 | 1227-N-1340    | 1                 | 1250-N-1080  | 4     |
| 40-X-1233      | 9      | 1228-A-261     | 3, 10             | 1250-U-1217  | 11    |
| 41-X-1018      | 11     | A-1228-Z-572   | 6                 | 1829-J-738   | 6     |
| 41-X-1020      | 10     | 1228-V-594     | 9                 | 2203-Z-6604  | 3     |
| 41-X-1022      | 11     | A4-1228-R-1266 | 3                 | 2203-A-6605  | 3     |
| 41-X-1037      | 11     | A5-1228-R-1266 | 3                 | 2203-B-6606  | 3     |
| 41-X-1043      | 9      | 1228-S-1267    | 3, 10             | 2203-C-6607  | 4     |
| 41-X-1080      | 11, 15 | 1229-V-48      | 18                | 2203-D-6608  | 4     |
| 41-X-1109      | 14     | 1229-D-992     | 2                 | 2203-E-6609  | 4     |
| 41-X-1275      | 14     | 1229-U-1503    | 2, 11, 12, 14, 15 | 2203-U-7899  | 3, 7  |
| 41-X-1333      | 14     | 1229-C-1511    | 3, 4, 6           | 2203-V-7900  | 3, 7  |
| 41-X-1334      | 12     | 1229-E-1513    | 16                | 2203-W-7901  | 3, 7  |
| 41-X-1358      | 12     | 1229-U-1555    | 1                 | 2203-X-7902  | 3, 7  |
| 41-X-1364      | 15     | 1229-W-1557    | 1, 12, 14, 17     | 2203-Y-7903  | 3, 7  |
| 41-X-1368      | 14     | 1229-K-1597    | 4, 5, 7           | 2203-Z-7904  | 3, 7  |
| 42-X-1024      | 10     | 1229-K-1623    | 2, 10             | 2203-A-7905  | 3, 7  |
| 42-X-1027      | 14     | 1229-L-1624    | 2, 10             | 2203-B-7906  | 3, 7  |
| 43-X-1006      | 14     | 1229-M-1625    | 2                 | 2203-C-7907  | 3, 7  |
| 43-X-1007      | 14     | 1229-B-1666    | 7                 | 2203-D-7908  | 3, 7  |
| 43-X-1015      | 11     | 1229-E-1669    | 1, 5, 6, 7        | 2203-E-7909  | 3, 7  |
| 45-X-1003      | 11     | 1229-N-1730    | 5, 7, 9           | 2203-K-9241  | 4     |
| 45-X-1008      | 11     | 1229-T-1736    | 7, 16             | 2203-L-9242  | 4     |
| A2-3260-N-1262 | 25     | 1229-K-2429    | 3                 | 2203-M-9243  | 4     |
| 1199-B-1666    | 18     | 1229-L-2430    | 16                | 2208-H-944   | 14    |
| 1199-R-2176    | 11     | 1229-M-2431    | 16                | 2208-L-1000  | 15    |
| A-1199-Z-3328  | 2      | 1229-N-2432    | 16                | 2214-K-89    | 1     |
| A-1199-R-1048  | 17     | 1229-P-2434    | 16                | 2214-M-91    | 1     |
| A-1199-W-4053  | 16     | 1229-Q-2435    | 16                | 2214-Q-277   | 11    |



## NUMERICAL PARTS LISTING

| PART NUMBER   | PAGE   | PART NUMBER     | PAGE   | PART NUMBER   | PAGE |
|---------------|--------|-----------------|--------|---------------|------|
| 2214-S-279    | 11     | 2803-P-2512     | 9      | 3202-G-9159   | 21   |
| 2214-W-1011   | 11     | 2803-Y-2755     | 9      | 3202-P-9246   | 23   |
| 2214-X-1012   | 11     | 2803-Z-2756     | 9      | 3202-Q-9247   | 23   |
| 2214-G-1125   | 11     | 2803-A-2757     | 9      | 3202-R-9248   | 22   |
| 2214-S-1137   | 11     | 2803-B-2758     | 9      | 3202-S-9249   | 22   |
| 2230-N-170    | 14     | 3107-P-16       | 4      | 3202-K-9267   | 21   |
| 2230-T-1190   | 14     | 3107-Z-78       | 14     | 3202-M-9269   | 22   |
| 2233-K-245    | 4      | 3107-V-1010     | 14     | 3202-J-9344   | 21   |
| 2233-M-1001   | 13     | 3107-A-1041     | 14     | 3202-L-9346   | 22   |
| 2233-T-1112   | 2      | 3107-L-1104     | 14     | 3202-J-9370   | 21   |
| 2234-F-890    | 3      | 3107-N-1106     | 14     | 3202-L-9372   | 22   |
| 2234-P-1004   | 13     | 3196-T-20       | 7      | 3202-N-9374   | 22   |
| 2234-C-1069   | 2, 13  | 3196-U-21       | 7      | 3202-E-9391   | 21   |
| 2234-G-1229   | 2      | 3196-B-28       | 6      | 3202-F-9392   | 21   |
| 2244-Y-51     | 14     | 3196-F-32       | 14     | 3202-G-9393   | 21   |
| 2244-Z-52     | 14     | A2-3200-C-1381  | 10     | 3202-J-9396   | 22   |
| 2244-K-1025   | 5      | A2-3200-M-1625  | 2      | 3202-N-9400   | 22   |
| 2244-V-1114   | 14     | A2-3200-J-1752  | 10     | 3202-Q-9403   | 22   |
| 2245-E-31     | 18     | A2-3200-K-1753  | 10     | 3202-W-9409   | 22   |
| 2257-S-1033   | 7      | A2-3200-J-1804  | 10     | 3202-Y-9411   | 23   |
| 2258-U-411    | 5      | A2-3200-M-1833  | 2      | 3202-R-9456   | 22   |
| 2258-L-714    | 14     | A2-3200-A-1899S | 10, 32 | 3202-T-9458   | 22   |
| 2258-Z-1118   | 4      | 3202-H-6768     | 21     | 3202-E-9495   | 21   |
| 2258-N-1262   | 14     | 3202-R-6778     | 21     | 3202-F-9496   | 21   |
| 2296-A-105    | 7      | 3202-S-6779     | 21     | 3202-G-9497   | 22   |
| 2296-B-106    | 7      | 3202-L-7734     | 22     | 3202-K-9501   | 21   |
| 2296-F-1098   | 7      | 3202-M-7735     | 21     | 3202-L-9502   | 22   |
| 2296-G-1099   | 7      | 3202-W-7745     | 21     | 3202-J-9552   | 22   |
| 2297-E-2293   | 6      | 3202-M-7787     | 23     | 3202-L-9554   | 22   |
| 2297-X-2494   | 5      | 3202-N-7788     | 23     | 3202-K-9579   | 21   |
| 2297-C-3799   | 7      | 3202-C-7803     | 22     | 3202-L-9580   | 21   |
| 2297-T-4180   | 12     | 3202-D-7804     | 22     | 3202-M-9581   | 22   |
| 2297-U-5273   | 4      | 3202-X-8110     | 22     | 3202-W-9643   | 21   |
| 2297-Z-5278   | 6      | 3202-Y-8111     | 21     | 3202-Y-9645   | 21   |
| A-2297-D-5334 | 6      | 3202-Z-8112     | 21     | 3202-C-9805   | 23   |
| 2297-L-5420   | 6      | 3202-H-8666     | 22     | 3202-D-9806   | 23   |
| 2297-A-7021   | 16, 17 | 3202-B-8816     | 22     | 3206-T-1476   | 22   |
| 2297-C-7049   | 14     | 3202-G-9003     | 22     | 3206-U-1477   | 21   |
| 2803-D-2500   | 9      | 3202-H-9004     | 21     | 3221-H-8      | 6    |
| 2803-E-2501   | 9      | 3202-W-9097     | 22     | A-3226-Z-598  | 3    |
| 2803-F-2502   | 9      | 3202-X-9098     | 21     | A-3226-J-790  | 4    |
| 2803-H-2504   | 9      | 3202-Y-9125     | 21     | A-3226-B-860  | 9    |
| 2803-J-2506   | 9      | 3202-C-9129     | 22     | A-3226-Q-901  | 16   |
| 2803-K-2507   | 9      | 3202-P-9142     | 22     | A1-3226-Q-901 | 16   |
| 2803-L-2508   | 9      | 3202-Q-9143     | 21     | A-3226-V-1010 | 9    |
| 2803-M-2509   | 9      | 3202-V-9148     | 21     | A-3226-H-1126 | 4    |
| 2803-N-2510   | 9      | 3202-W-9149     | 21     | A-3230-N-1028 | 2    |

## NUMERICAL PARTS LISTING

| PART NUMBER    | PAGE | PART NUMBER    | PAGE   | PART NUMBER    | PAGE |
|----------------|------|----------------|--------|----------------|------|
| A-3230-A-1041  | 14   | A-3260-U-73    | 24     | 3278-W-335     | 13   |
| A-3230-C-1043  | 14   | A2-3260-U-73   | 24     | 3278-Q-381     | 2    |
| A-3230-E-1045  | 2    | A2-3260-W-75   | 24     | 3280-V-5040    | 5    |
| A-3235-X-1532  | 3    | A-3260-Q-95    | 26     | 3280-V-8394    | 5    |
| A1-3235-X-1532 | 3    | A2-3260-Q-95   | 26     | 3280-Z-8398    | 5    |
| A-3235-F-1618  | 13   | 3260-G-111     | 24     | A-3280-F-8430  | 5    |
| A5-3235-F-1618 | 12   | 3260-L-116     | 24     | 3296-L-90      | 4    |
| A6-3235-F-1618 | 13   | A2-3260-L-116  | 24     | 3296-D-1174    | 14   |
| A-3235-H-1620  | 13   | 3260-M-117     | 26     | 3296-N-1184    | 14   |
| A3-3235-H-1620 | 13   | A2-3260-M-117  | 26     | 3296-Q-1187    | 4    |
| A5-3235-H-1620 | 13   | A2-3260-U-151  | 27     | 3296-A-1197    | 14   |
| A-3235-T-1944  | 1    | A-3260-R-356   | 24     | 3297-W-75      | 16   |
| A3-3235-T-1944 | 1    | A1-3260-R-356  | 24     | A-3297-S-97    | 6    |
| A5-3235-T-1944 | 1    | A-3260-S-357   | 24     | A1-3297-K-115  | 4    |
| A6-3235-T-1944 | 1    | A1-3260-S-357  | 24     | A-3297-M-117   | 6    |
| A7-3235-T-1944 | 1    | A-3260-Y-1143  | 24     | A1-3297-N-1288 | 4    |
| A-3235-U-1945  | 1    | A-3260-D-1148  | 26     | A1-3303-L-12   | 5    |
| A3-3235-U-1945 | 2    | A-3260-M-1235  | 25     | A-3303-M-13    | 7    |
| A5-3235-U-1945 | 2    | A-3260-D-1252  | 27     | A-3303-P-1030  | 5    |
| A6-3235-U-1945 | 1    | A-3260-K-1259  | 25     | 3780-R-382     | 6    |
| A7-3235-U-1945 | 1    | A1-3260-K-1259 | 25     | 3892-J-4014    | 3    |
| A-3235-K-2143  | 13   | A-3260-N-1262  | 25     | 3892-S-4023    | 3    |
| A1-3235-K-2143 | 13   | A-3260-Q-1265  | 25     | 3892-B-4708    | 3    |
| A2-3235-K-2143 | 12   | A1-3260-Q-1265 | 25     | 3892-D-4710    | 3    |
| A3-3235-K-2143 | 12   | A2-3260-S-1267 | 25     | 3892-F-4712    | 7    |
| A4-3235-K-2143 | 13   | 3260-F-1280    | 25     | 3892-V-4936    | 5    |
| A5-3235-K-2143 | 12   | 3260-R-1292    | 25     | 3892-W-4937    | 6    |
| A7-3235-K-2143 | 12   | A2-3260-R-1292 | 25     | 3892-W-4963    | 4    |
| A-3235-M-2145  | 13   | A-3260-B-1302  | 25     | 3892-Y-4965    | 4    |
| A1-3235-M-2145 | 13   | A1-3260-B-1302 | 25     | 3892-M-5213    | 4    |
| A2-3235-M-2145 | 13   | A-3260-N-1314  | 24     | 382A           | 16   |
| A3-3235-M-2145 | 13   | A-3260-G-1645  | 24     | 385A           | 16   |
| A4-3235-M-2145 | 13   | A2-3260-G-1645 | 24     | 493            | 6    |
| A5-3235-M-2145 | 13   | A-3260-R-1682  | 25     | 496            | 6    |
| A6-3235-M-2145 | 13   | A2-3261-Q-1057 | 5      | 572            | 18   |
| A7-3235-M-2145 | 13   | 3261-A-1067    | 14     | 580            | 18   |
| A-3235-U-2335  | 13   | 3264-P-172     | 9      | 592A           | 18   |
| A1-3235-U-2335 | 12   | A-3266-L-792   | 6      | 598A           | 18   |
| A2-3235-U-2335 | 12   | A-3266-Y-831   | 7      | 742            | 18   |
| A-3235-W-2337  | 13   | A1-3266-B-834  | 6      | 749            | 18   |
| A1-3235-W-2337 | 13   | 3266-M-897     | 11, 15 | 772            | 18   |
| A2-3235-W-2337 | 13   | 3266-F-1020    | 14     | 782            | 18   |
| A-3235-Y-2339  | 13   | 3266-M-1313    | 5      | 6535           | 18   |
| A1-3235-Y-2339 | 12   | 3266-Q-1317    | 5      | 6580           | 18   |
| A2-3235-Y-2339 | 12   | A-3266-P-1446  | 7      | 9220           | 9    |
| 3237-W-1167    | 15   | 3278-N-300     | 4      | 29620          | 6    |

## NUMERICAL PARTS LISTING

| PART NUMBER   | PAGE | PART NUMBER | PAGE  | PART NUMBER | PAGE       |
|---------------|------|-------------|-------|-------------|------------|
| 29685         | 6    | A-40632-1   | 10    | KIT 1554    | 32         |
| 52387P        | 1    | A-40634-1   | 10    | KIT 1592    | 32         |
| 52618P        | 1    | A-40636-1   | 10    | KIT 1593    | 33         |
| 64450         | 12   | A-40638-1   | 10    | KIT 1594    | 33         |
| 64700         | 11   | B-40312-4   | 2     | KIT 2266    | 5          |
| 78250AC       | 3    | B-40352-4   | 2     | KIT 2268    | 4          |
| 78551         | 3    | B-40354-4   | 2     | KIT 2318    | 33         |
| 9680368       | 7    | B-40356-4   | 2     | KIT 2341    | 33         |
| 16N-4-6271    | 24   | B-40358-4   | 2     | KIT 2342    | 34         |
| 16N-4-6271-1  | 25   | B-40360-4   | 2     | KIT 2363    | 34         |
| 16NYS38-11A   | 24   | B-40362-4   | 2     | KIT 2373    | 34         |
| 16TYS38-11A   | 25   | B-40364-4   | 2     | KIT 2374    | 34         |
| 176N-4-861-1X | 25   | B-40366-4   | 2     | KIT 2421    | 34         |
| 176N-4-861X   | 24   | B-40368-4   | 2     | KIT 2422    | 35         |
| 176NYS38-13A1 | 24   | B-41002-1   | 10    | KIT 2432    | 35         |
| 176TYS32-3A2  | 25   | B-41004-3   | 9     | KIT 2436    | 35         |
| 176TYS38-13A1 | 25   | B-41006-3   | 9     | KIT 2437    | 35         |
| 17N-4-5961X   | 24   | B-41008-3   | 10    | KIT 2484    | 35         |
| 17N-4-6961-1X | 25   | B-41010-3   | 10    | KIT 2490    | 36         |
| 17N-4-6961X   | 24   | B-41012-3   | 10    | KIT 2491    | 36         |
| 17N-4-7621-1  | 25   | B-41014-3   | 9     | KIT 2608    | 36         |
| 17N-4-7851X   | 24   | B-41016-3   | 9     | KIT 2630    | 37         |
| 17NYS32-99    | 24   | B-41018-3   | 9     | KIT 2638    | 9, 37      |
| 17NYS32-99A3  | 24   | B-41020-1   | 10    | KIT 2678    | 5, 38      |
| 17NYS32-100A  | 24   | B-41022-1   | 10    | KIT 2679    | 5, 39      |
| 17NYS32-100A2 | 24   | B-41024-4   | 10    | KIT 2699    | 39         |
| 17NYS38-17A2  | 24   | B-41026-3   | 9     | KIT 2731    | 10, 40     |
| 17TYS32-68A2  | 25   | B-41028-3   | 10    | KIT 2731A   | 10, 40     |
| 17TYS32-99    | 25   | B-41030-3   | 9     | KIT 2732    | 10, 40     |
| 17TYS38-70A   | 25   | B-41032-3   | 10    | KIT 2732A   | 10, 40     |
| 17TYS38-53A1  | 25   | B-41034-3   | 10    | KIT 2744    | 11, 12, 41 |
| 18N-4-3221-1X | 25   | B-41036-3   | 10    | KIT 2791    | 41         |
| 18N-4-3221X   | 24   | B-41592-1   | 9     | KIT 2791A   | 41         |
| 18N-4-3371    | 24   | B-41650-1   | 10    | KIT 2792    | 42         |
| 18N-4-3381-1X | 25   | B-41806-1   | 9, 10 | KIT 2793    | 42         |
| 18N-4-3581-1X | 25   | H-715311    | 9     | KIT 2885    | 42         |
| 18N-4-3581X   | 24   | H-715334    | 9     | KIT 2886    | 42         |
| 18NYS32-12A2  | 24   | HM-813810   | 4     | KIT 4435    | 43         |
| 18TYS32-12A2  | 25   | HM-813844   | 4     | KIT 4436    | 43         |
| 5WCS38-12A2   | 27   | JHM-720210  | 11    | KIT 4437    | 43         |
| 5WCS38-24A    | 27   | JHM-720249  | 12    | KIT 4438    | 44         |
| 82NYS32-74    | 26   | JM-515610   | 3     | KIT 4440    | 44         |
| 82NYS32-74A2  | 26   | JM-515649   | 3     | KIT 4441    | 45         |
| 82NYS38-28A   | 26   | JM-822010   | 11    | KIT 4442    | 45         |
| 92NYS38-52A   | 26   | JM-822049   | 12    | KIT 4443    | 46         |
| 92NYS38-52A2  | 26   | KIT 1536    | 32    | KIT 4444    | 46         |

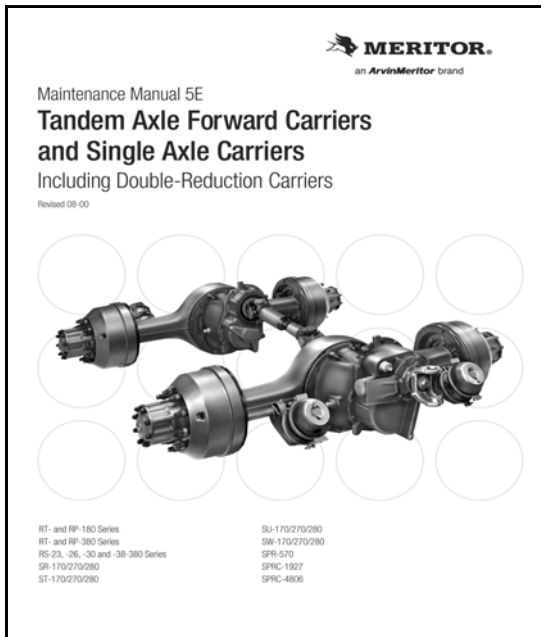
## NUMERICAL PARTS LISTING

| PART NUMBER       | PAGE   |
|-------------------|--------|
| KIT 4445          | 1, 46  |
| KIT 4446          | 1, 46  |
| KIT 4450          | 47     |
| KIT 4459          | 47     |
| KIT 4460          | 47     |
| KIT 4744          | 48     |
| KIT RP180 1625    | 48     |
| KIT RP180 1833    | 48     |
| KIT RP35380       | 48     |
| KIT RP35380A      | 49     |
| KIT RP380         | 49     |
| KIT RP380A        | 49     |
| KIT RR26185-1752  | 50     |
| KIT RR26185A-1752 | 50     |
| KIT RR35380       | 50     |
| KIT RR35380A      | 50     |
| KIT RR380         | 50     |
| KIT RR380A        | 51     |
| KIT RS23180       | 51     |
| KIT RS23180A      | 51     |
| MPS 3355          | 51     |
| MS-208020-1       | 11     |
| MS-208045-1       | 5      |
| MS-210016-1       | 15     |
| MS-212045-1       | 9      |
| MWA-506           | 11, 15 |
| MWA-508           | 11     |
| MWA-512           | 9      |
| MWA-516           | 15     |
| N-68-1            | 4      |
| N-110-1           | 2, 18  |
| NL-26-1           | 4      |
| NL-210-1          | 6      |
| P-16              | 6      |
| P-28S             | 17     |
| P-112             | 2      |
| P-212             | 17     |
| R945008           | 7      |
| S-256A-2          | 1      |
| S-256P-2          | 5      |
| S-2510-2          | 6      |
| S-2518-2          | 7      |
| S-2610-2          | 5, 7   |
| S-2616-2          | 5, 7   |
| S-2626-2          | 4      |
| S-2710-2          | 16     |

| PART NUMBER | PAGE    |
|-------------|---------|
| S-2711-2    | 16      |
| S-2812-2    | 4, 5, 7 |
| S-2814-A2   | 5       |
| S-11440-2   | 2       |
| S-21016-2   | 2       |
| SN-1020-1   | 17      |
| SN-1036-1   | 17      |

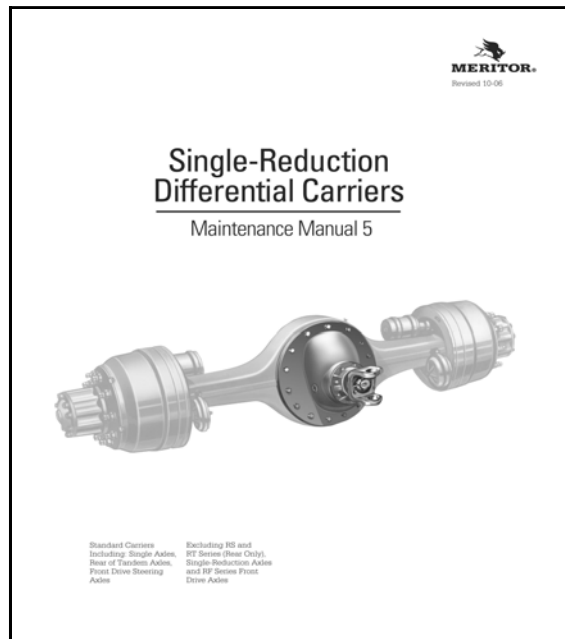
# NOTES

# MAINTENANCE INFORMATION



Maintenance Manual No. 5E for carriers of forward tandem axles.

Maintenance Manual No. 5 for carriers of 180, 185 or 186 Series single axles and 180, 185 or 186 Series rear tandem axles.



Maintenance Manula No. 6C for carriers of 380 Series single axles and 380 Series rear tandem axles.

## NOTES

## NOTES



## **ARVINMERITOR AFTERMARKET PARTS WARRANTY**

We warrant all new parts for one year from date of shipment to the buyer against defective material or workmanship (but not against damage caused by accident, abuse or improper installation, maintenance or repair) when such parts are used on vehicles the specifications of which have been approved by our Engineering Department.

As the exclusive remedy under this warranty, we will, at our option, repair or replace such parts free of charge, or take back the nonconforming parts and refund the monies paid by buyer for such parts, if found on examination by us to be nonconforming and if any necessary return charges are prepaid.

If it is necessary to return any parts under this warranty, buyer agrees not to make any deduction on account thereof from remittances on current accounts while claims are in the process of disposition. Any expense incurred without our consent for repairs or replacement will not be allowed.

**THIS WARRANTY IS EXPRESSLY IN LIEU OF ALL OTHER WARRANTIES OR CONDITIONS, EXPRESS, IMPLIED OR STATUTORY, INCLUDING ANY IMPLIED WARRANTY OF MERCHANTABILITY OR FITNESS FOR PARTICULAR PURPOSE. IN NO EVENT SHALL SELLER BE LIABLE FOR INCIDENTAL OR CONSEQUENTIAL DAMAGES OF ANY NATURE.**

Only genuine ArvinMeritor replacement parts are covered by this aftermarket parts warranty.

Distributed by:



**ArvinMeritor**<sup>™</sup>

Meritor Heavy Vehicle Systems, LLC  
7975 Dixie Highway  
Florence, Kentucky 41042 USA  
888-725-9355

[www.arvinmeritor.com](http://www.arvinmeritor.com)  
[XpresswayPlus.arvinmeritor.com](http://XpresswayPlus.arvinmeritor.com)

Information contained in this publication was in effect at the time the publication was approved for printing and is subject to change without notice or liability. ArvinMeritor reserves the right to revise the information presented or discontinue the production of parts at any time.

Litho in USA  
Revised 10/08  
PB-9108 (13028/05060)  
©2008 ArvinMeritor, Inc.



**MERITOR**

**Meritor Differential Model RT-48-185 - RR-29-180/185 - Carrier  
A1-3200-J-1752**


Pro Gear parts manual for Meritor Differential Model RT-48-185 - RR-29-180/185 - Carrier A1-3200-J-1752 to assist in identifying the correct configuration of your Meritor 185 Series differential. This Meritor Tandem Rear Axle is built with 46 or 50 Axle spline and ratios available in 3.73 thru 10.62.


If you need any assistance identifying the correct Meritor differential unit for your truck or equipment, contact your Meritor differential replacement specialists at Pro Gear and Transmission.


Pro Gear stocks every part for your Meritor differential. We have 1000's of products in shop that are ready to ship internationally for your next project.

For parts or service contact the Meritor specialists at Pro Gear & Transmission, Inc.

 CALL US

 EMAIL US

 VISIT MODEL PAGE

 VISIT ONLINE STORE