



## Eaton Fuller FO-14E310C-LAS Transmission Service Manual

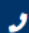
This is the Eaton Fuller FO-14E310C-LAS Transmission Service Manual brought to you by Pro Gear and Transmission to assist you identifying the the service repair procedures for your Eaton Fuller transmission unit.


If you need any assistance identifying the correct Eaton/Fuller unit for your truck and equipment, contact your Eaton replacement part specialists at Pro Gear and Transmission.


Pro Gear stocks every part for your Eaton transmission including: Valve Assemblies, Synchronizers, Yoke Assemblies, O-Ring Kits, Drive Gears, Gaskets, Bearing and Seal Kits, and much more.


Pro Gear and Transmission has same day shipping and thousands of products in stock and ready to ship internationally for your next project.

For parts or service contact the Eaton transmission specialists at Pro Gear & Transmission, Inc.

 [CALL US](#)

 [EMAIL US](#)

 [VISIT MODEL PAGE](#)

 [VISIT ONLINE STORE](#)

# UltraShift PLUS Automated Transmissions TRSM0940 EN-US

February 2020

Linehaul Active Shifting (LAS)  
Vocational Active Shifting (VAS)  
Multipurpose Extreme Performance (MXP)  
Multipurpose High Performance (MHP)  
Vocational Construction Series (VCS)  
Vocational High Performance (VHP)  
Vocational Multipurpose Series (VMS)  
Vocational Extreme Performance (VXP)



AUTOMATED TRANSMISSION™  
TECHNOLOGIES

Pro Gear and Transmission, Inc | [www.progearandtransmission.com](http://www.progearandtransmission.com) | [www.pgtruckparts.com](http://www.pgtruckparts.com)  
906 West Gore St, Orlando, FL, 32805 | +1 (877)-776-4600 | +1 (407)-872191 | [parts@eprogear.com](mailto:parts@eprogear.com)

BACKED BY

**Roadranger**

SUPPORT

**Model:**

FM-14E310B-LAS	FOM-14E310C-VAS	FO-10E309ALL-VMS	FO-18E318B-MXP
FM-15E310B-LAS	FOM-15E310C-VAS	FO-11E309ALL-VMS	FO-20E318B-MXP
FO-10E310C-VAS	FOM-16E310C-VAS	FO-12E309ALL-VMS	FO-22E318B-MXP
FO-12E310C-VAS	FO-10E308LL-VCS	FO-14E309ALL-VMS	FO-18E318A-VXP
FO-14E310C-VAS	FO-11E308LL-VCS	FO-16E309ALL-VMS	FO-20E318A-VXP
FO-16E310C-VAS	FO-12E308LL-VCS	FO-17E309ALL-VMS	FO-22E318A-VXP
FO-14E310C-LAS	FO-14E308LL-VCS	FO-14E313B-MHP	FO-14E318B-VXP
FO-16E310C-LAS	FO-16E308LL-VCS	FO-16E313B-MHP	FO-16E318B-VXP
FO-18E310C-LAS	FO-17E308LL-VCS	FO-18E313B-MHP	FO-18E318B-VXP
FOM-14E310C-LAS	FO-16E313A-VHP	FO-20E313B-MHP	FO-20E318B-VXP
FOM-15E310C-LAS	FO-18E313A-VHP	FO-14E318B-MXP	FO-22E318B-VXP
FOM-16E310C-LAS	FO-20E313A-VHP	FO-16E318B-MXP	

## Table of Contents

### General Information

Warnings & Cautions .....	1
How to Use This Manual .....	2
Transmission Overview .....	3
Serial Tag Information and Model Nomenclature .....	6
Timing Procedures .....	8
Preventive Maintenance .....	10
Assembly and Disassembly Precautions .....	11

### Service Procedures

LAS/VAS Auxiliary Section Removal and Disassembly – In Chassis .....	13
LAS/VAS Auxiliary Section Removal and Disassembly .....	17
LAS/VAS Auxiliary Section Assembly and Installation .....	27
Range Cylinder LAS/VAS Model Rebuild – In Chassis .....	38
VCS/VMS Auxiliary Section Removal and Disassembly – In Chassis .....	44
VCS/VMS Auxiliary Section Removal and Disassembly .....	46
VCS/VMS Auxiliary Section Assembly and Installation .....	57
VCS/VMS Combination Cylinder Disassembly and Assembly .....	70
VCS/VMS Combination Valve Removal and Installation .....	77
MHP/MXP/VHP/VXP Auxiliary Section Removal and Disassembly .....	79
MHP/MXP/VHP/VXP Range Cylinder Disassembly and Assembly .....	92
MHP/MXP/VHP/VXP Splitter Cylinder Disassembly and Assembly .....	98
MHP/MXP/VHP/VXP Splitter Gear Bearing Disassembly and Assembly .....	104
MHP/MXP/VHP/VXP Auxiliary Section Assembly and Installation .....	108
MHP/MXP/VHP/VXP Auxiliary Countershaft Installation .....	112
Range Synchronizer Disassembly and Assembly .....	124
Input Shaft Removal and Installation .....	128
Clutch Housing Removal and Installation .....	132
Shift Bar Housing Removal and Installation .....	134
Shift Bar Housing Disassembly and Assembly .....	137


Main Case Disassembly and Lubrication Tube Removal .....	143
Oil Pump and Lube Tube Installation .....	152
Main Case Main Shaft Disassembly with Low Force Gearing .....	167
Main Case Main Shaft Assembly with Low Force Gearing .....	173
Main Case Main Shaft without Low Force Gearing Disassembly .....	179
Main Case Main Shaft Assembly .....	184
Reverse Switch Testing, Removal and Installation .....	189
Electronic Clutch Actuator (ECA) Removal and Installation .....	192
Low Capacity Inertia Brake (LCIB) Removal and Installation .....	196
Release Yoke and Cross-Shaft(s) Removal and Installation .....	198
Cobra Lever Removal and Installation .....	203
Eaton Push Button Shift Control Device (PBSC) Removal and Installation .....	205
Transmission Harness Removal and Installation .....	207
Transmission Electronic Control Unit (TECU) Removal and Installation .....	209
X-Y Shifter Removal and Installation .....	213
Range Valve Removal and Installation .....	217
Output Shaft Speed Sensor Removal and Installation .....	220
Input Shaft Speed Sensor Removal and Installation .....	223
Main Shaft Speed Sensor Removal and Installation .....	226
Electronic Clutch Actuator (ECA) Speed Sensor Removal and Installation .....	229
Rail Position Sensor Removal and Installation .....	232
Gear Position Sensor Removal and Installation .....	235

---


## Appendix

Tool Specifications .....	238
Oil Leak Inspection Process .....	242
Inspection Procedure .....	243
Power Flow .....	245
Torque Specifications .....	249
Lubrication Specifications .....	253
Clutch Greasing Guidelines .....	254
Grade Sensor Calibration .....	255


## Warnings & Cautions

 **Warning:** Follow specified procedures in indicated order to avoid personal injury.


**Note:** Additional relevant information not covered in service procedure.

 **Warning:** Before starting a vehicle:


- Ensure adequate fuel level.
- Sit in driver's seat.
- Place shift lever in Neutral.
- Set parking brake.


 **Warning:** Before working on a vehicle or leaving cab with engine running:


- Ensure ignition is Off while hands are within the clutch housing area.
- Place shift lever in Neutral.
- Set parking brake.
- Block wheels.

 **Warning:** When parking vehicle or leaving cab:


- Place shift lever in Neutral.
- Set parking brake.


 **Caution:** Follow specified procedures in indicated order to avoid equipment malfunction or damage.

 **Caution:** Do not release parking brake or attempt to select a gear until air pressure is at correct level.

 **Caution:** To avoid damaging the transmission during towing:

- Place shift lever in Neutral.
- Lift drive wheels off of the ground or disconnect the driveline.

 **Caution:** Do not operate vehicle if alternator light is illuminated or if gauge indicates low voltage.

 This symbol is used throughout this manual to call attention to procedures where carelessness or failure to follow specific instructions may result in personal injury and/or component damage.

Always use genuine Eaton replacement parts.

---

## How to Use This Manual

This publication is divided into three sections: General Information, Service Repair Procedures and Appendix.

### General Information

This section contains basic chapters such as Transmission Overview, How to Use This Manual and Serial Tag and Model Nomenclature.

### Service Repair Procedures

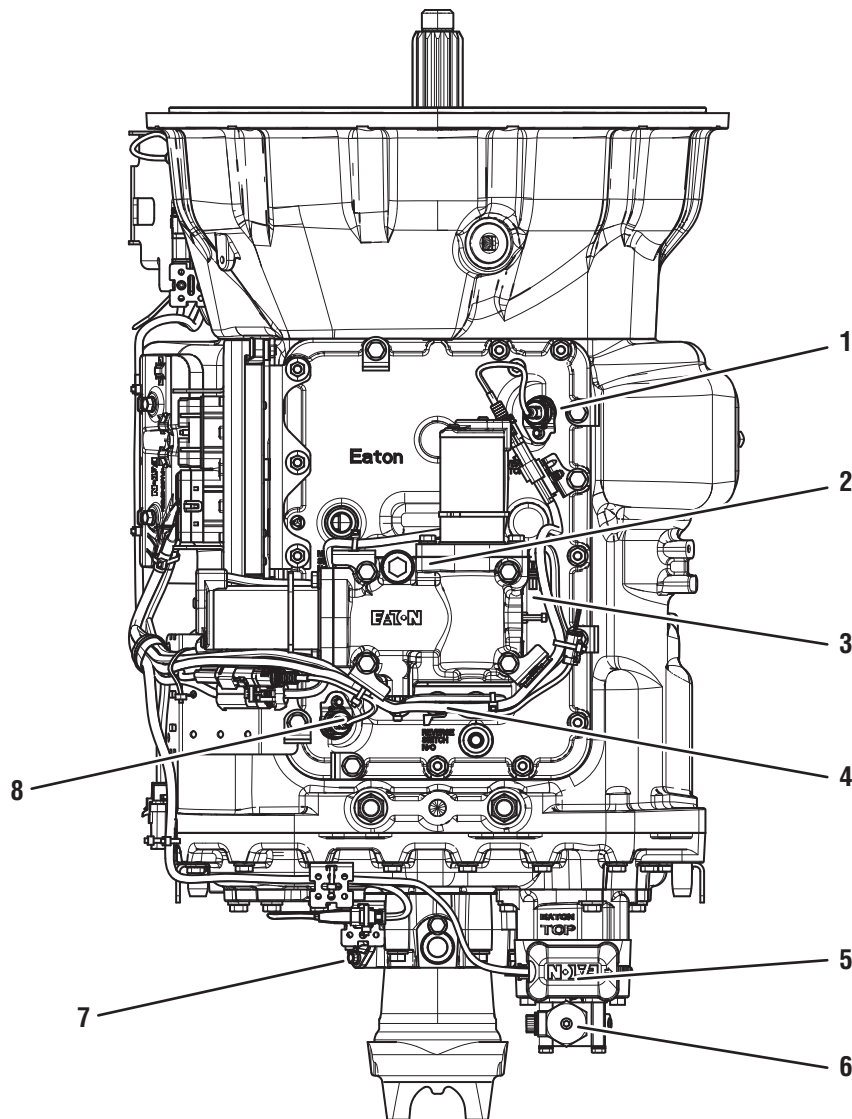
A Component Identification diagram is included at the beginning of each procedure for disassembly, assembly, removal and installation. Below the Component Identification diagram is a numerical listing for each part with the part name.

### Appendix

This section contains information such as Operation, Lubrication Specifications, Inspection (in base box manuals), Power Flow (in base box manuals), Air System Operation and Troubleshooting (in base box manuals), General Troubleshooting (in base box manuals), Tool Specifications, Torque Specifications and Torque Overview.

The service procedures in this manual are for transmission mechanical components only. To find the information you need, simply locate the procedure in the Table of Contents, turn to the page specified and follow the procedure. If you are unsure of the name of a component, reference the Transmission Overview pages.

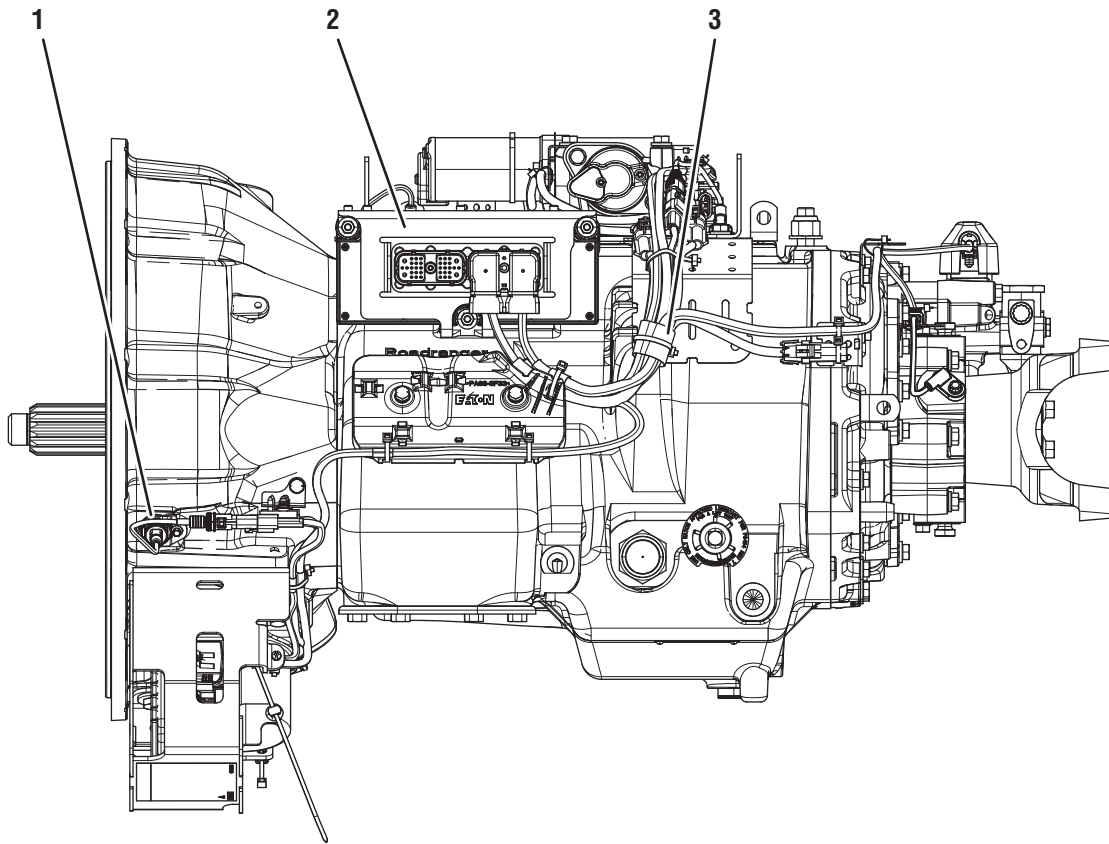
## Transmission Overview



### Transmission - Top View

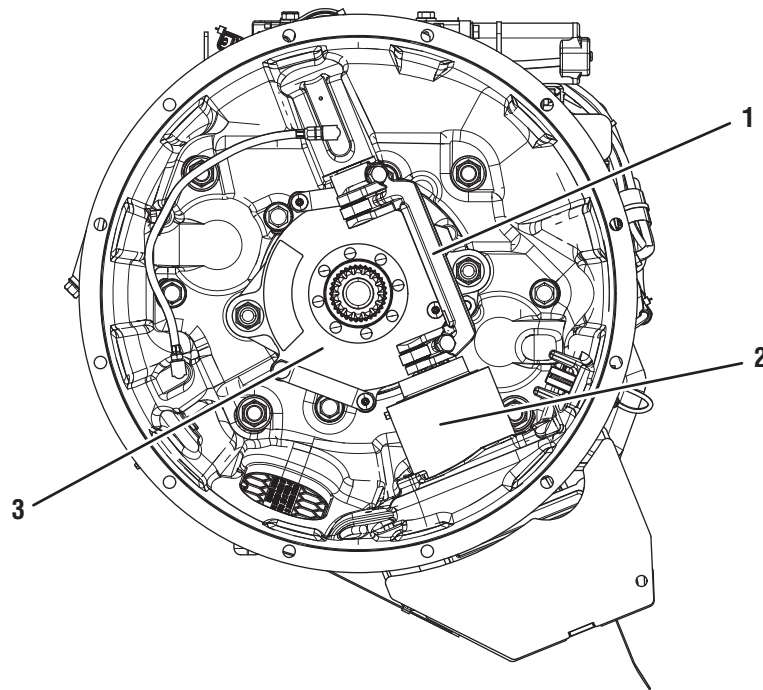
1. Input Shaft Speed Sensor
2. X-Y Shifter
3. Gear Position Sensor
4. Rail Position Sensor
5. Range Solenoid Valve
6. Air Filter/Regulator
7. Output Shaft Speed Sensor
8. Main Shaft Speed Sensor





*Transmission - Side View*

- 1. Electronic Clutch Actuator (ECA) Speed Sensor
- 2. Transmission Electronic Control Unit (TECU)
- 3. Transmission Harness



*Transmission - Front View*

- 1. Release Yoke and Cross Shaft Assembly*
- 2. Electronic Clutch Actuator (ECA)*
- 3. Low Capacity Inertia Brake (LCIB)*

## **Driver Instruction Manual**

Complete operation instructions can be found in the Driver Instruction Manual TRDR1110.

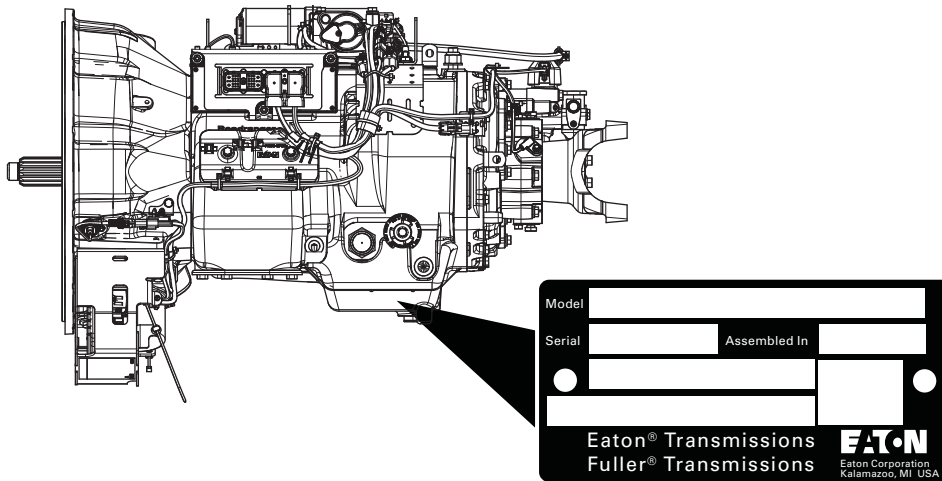
## Serial Tag Information and Model Nomenclature

Transmission model designation and other transmission identification information are stamped on the serial tag. To identify the transmission model and serial number, locate the tag on the transmission and then locate the numbers as shown. The figure below shows the tag location for these transmissions.

When calling for service assistance or parts, have the model and serial numbers handy.

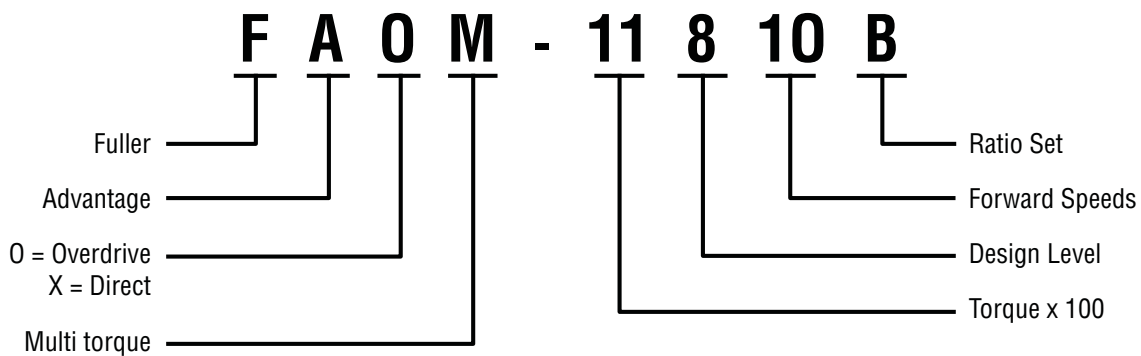


**Important:** Do not remove or destroy the transmission identification tag.



### Model Number

The model number gives basic information about the transmission and is explained below. Use this number when calling for service assistance or replacement parts.



Prefix	Definition
FM	Fuller Multi-Torque
FO	Fuller Overdrive
FOM	Fuller Overdrive Multi-Torque
F	Fuller

### Serial Number

The serial number is the sequential identification number of the transmission. Before calling for service assistance, write the number down as it may be needed.

### Bill of Material or Customer Number

This number may be located below the model and serial numbers. It is a reference number used by Eaton.

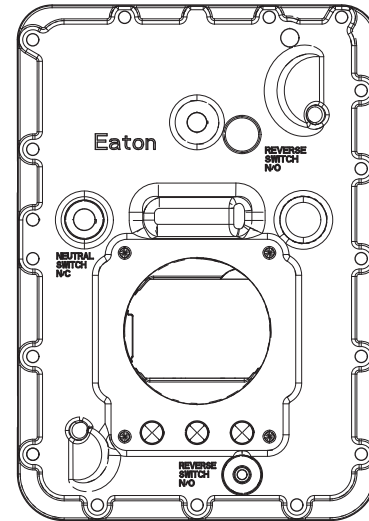
## Model Options

### Torque Rating

The torque rating of the transmission specified in the model number is the input torque capacity in lb-ft. Various torque ratings are available. For more information, call 1-800-826-HELP (4357).

## Shift Bar Housing

The Shift Bar Housing has a gear shifter opening located toward the rear of the transmission.



*Standard Shift Bar Housing*

## Upper Countershaft

Internal lubrication pump driven off the PTO gear, and can be plumbed to an external oil cooler.

## Power Take-Off (PTO) Usage

PTOs can be mounted in two ways.

### 6- or 8-Bolt

The 6- or 8-bolt openings are standard with the transmission. The PTO is mounted to the opening and driven from the PTO gear on the front Counter Shaft.

### Thru-Shaft

The Thru-Shaft PTO mounts on the rear of the transmission. It requires a special auxiliary housing and main case Counter Shaft with internal splines.

### Split-Shaft

The split-shaft PTO mounts between the transmission and the drive axle.

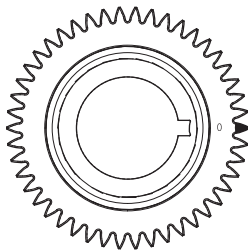
## Timing Procedures

It is essential that both Counter Shaft assemblies of the front and auxiliary sections are timed. This ensures proper tooth contact is made between Main Shaft gears seeking to center on the Main Shaft during torque transfer and mating Counter Shaft gears that distribute the load evenly. If not properly timed, serious damage to the transmission is likely to result from unequal tooth contact, causing the Main Shaft gears to climb out of equilibrium.

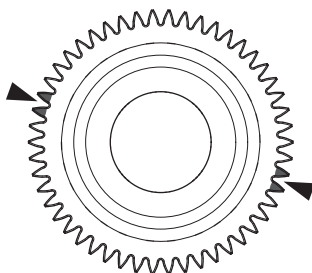
Timing is a simple procedure of marking the appropriate teeth of a gear set prior to installation and placing them in proper mesh while in the transmission. In the front section, it is necessary to time only the drive gear set. Depending on the model, only the low range, deep reduction or splitter gear set is timed in the auxiliary section.

### Front Section

1. Clearly mark the tooth located directly over the drive gear keyway as shown prior to placing each Counter Shaft assembly into the case. This tooth is stamped with an "O" to aid identification.



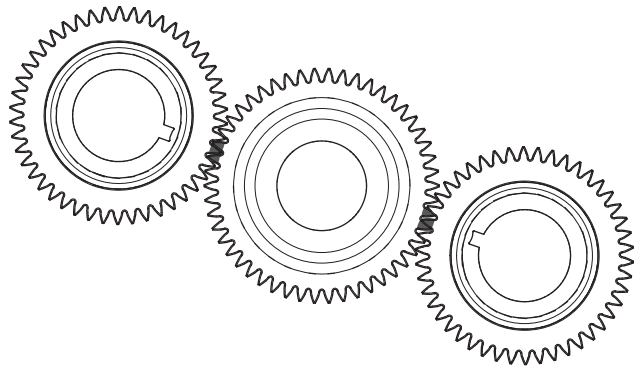
2. Mark any two adjacent teeth on the Main Drive Gear.
3. Mark the two adjacent teeth located directly opposite the first set marked on the Main Drive Gear. There should be an equal number of unmarked gear teeth on each side between the marked sets.



4. After placing the Main Shaft assembly into the case, the Counter Shaft Bearings are installed to complete installation of the Counter Shaft assemblies. This meshes marked Counter Shaft drive gear teeth with marked Main Drive Gear teeth.

When installing the bearings on the left Counter Shaft, mesh the Counter Shaft drive gear marked tooth with either set of Main Drive Gear two marked teeth.

Repeat the procedure when installing the bearings on the right Counter Shaft; make use of the remaining set of Main Drive Gear two marked teeth to time the assembly.



## Auxiliary Section Timing

1. Mark any tooth on the low-range gear. Then mark the tooth located 180° from the first marked tooth.
2. Mark the valley between the two gear teeth of each Auxiliary Counter Shaft assembly low-range gear stamped with "O" prior to placing each Auxiliary Counter Shaft assembly into the housing.
3. Repeat the procedure on each Auxiliary Counter Shaft Reduction Gear.
4. To time the Auxiliary Counter Shafts, find the "O" at the rear bearing and place a straight edge from the "O" up to the front and mark the gear tooth. See Service Bulletin TMIB0150 for further timing instructions.

**Note:** Timing mark may be under bearing and washer.



*Two Marked Teeth 180 Degrees Apart*



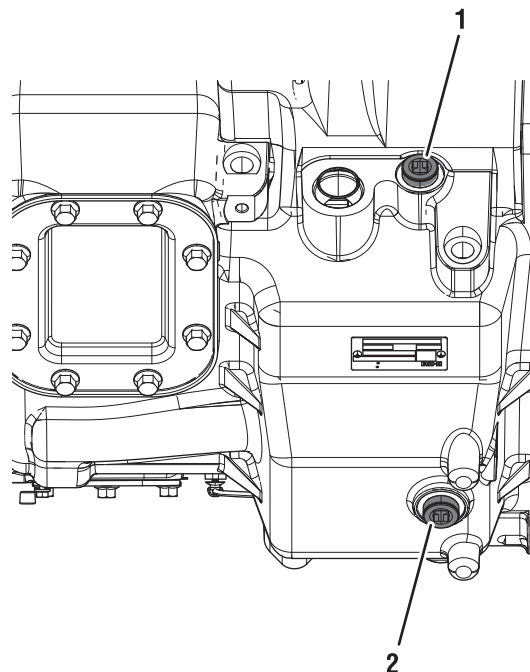
*Auxiliary Counter Shaft Marked*

## Preventive Maintenance

See Drivers Instructions TRDR1110 for daily maintenance checks.

### Inspection Before Transmission Removal

1. Air System and Connections: Check for leaks, worn air lines, loose connections and cap screws. See the “Servicing Air System” section.
2. Clutch Housing Mounting: Check all cap screws of Clutch Housing flange for looseness.
3. Clutch Release Bearing (not shown): Remove hand hole cover and check radial and axial clearance in Release Bearing. Check relative position of thrust surface of Release Bearing with thrust sleeve on push-type clutches.
4. Lubricant: Change at specified service intervals. Use only the types and grades as recommended. See Manual TCMT0021, Roadranger Lubricant Products.
5. Filler and Drain Plugs: Remove filler plugs and check level of lubricant at specified intervals. Tighten fill and drain plugs securely.
6. Cap Screws and Gaskets: Check all cap screws, especially those on PTO covers and Rear Bearing Covers, for looseness that would cause oil leakage. Check PTO opening and Rear Bearing Covers for oil leakage due to faulty gaskets.



1. Oil Fill Plug  
47–68 N•m (35–50 lb-ft)  
1.0625-12 Straight Thread

2. Oil Drain Plug  
47–68 N•m (35–50 lb-ft)  
1.0625-12 Straight Thread

## Assembly and Disassembly Precautions

### Assembly Precautions

#### General Information

Ensure that case interiors and housings are clean. It is important that dirt and other foreign material are kept out of the transmission during assembly. Dirt is abrasive and can damage polished surfaces of bearings and washers. Use certain precautions, as listed below, during assembly.

#### Bearings

Use a flange-end bearing driver for bearing installation. These special drivers apply equal force to both bearing races, preventing damage to balls/rollers and races while maintaining correct bearing alignment with bore and shaft. Avoid using a tubular or sleeve-type driver, whenever possible, as force is applied to only one of the bearing races.

#### Cap Screws

To prevent oil leakage and loosening, use Eaton Fuller Sealant, Part Number 71205, on all cap screws.

#### Gaskets

Use new gaskets throughout the transmission as it is being rebuilt. Make sure all gaskets are installed. An omission of any gasket can result in oil leakage or misalignment of bearing covers.

#### Initial Lubrication

Coat all limit washers and shaft splines with lubricant during assembly to prevent scoring and galling of such parts.

#### O-Rings

Lubricate all O-rings with silicon lubricant.

#### Universal Joint Companion Flange or Yoke

Pull the companion flange or yoke tightly into place with the two Output Shaft bolts, using 84–92 lb-ft of torque. Ensure the speedometer drive gear or a replacement spacer of the same width has been installed. Failure to pull the companion flange or yoke tightly into place can result in damage to the Main Shaft Rear Bearing.



**Important:** See the appropriate Illustrated Parts List (specified by model series) to ensure that proper parts are used during assembly of the transmission.

### Disassembly Precautions

#### General Information

It is assumed in the detailed assembly instructions that the lubricant has been drained from the transmission, the necessary linkage and vehicle air lines disconnected and the transmission has been removed from vehicle chassis



**Important:** Follow each procedure closely in the detailed instructions. Be sure to make use of the text, illustrations and photographs provided.

#### Assemblies

When disassembling the various assemblies, such as the Main Shaft, Counter Shafts and Shift Bar Housing, lay all parts on a clean bench in the same sequence as removed. This procedure will simplify assembly and reduce the possibility of losing parts.

#### Bearings

Carefully wash and lubricate all usable bearings as removed and protectively wrap until ready for use. Remove bearings planned for reuse with pullers designed for this purpose.

#### Cleanliness

Provide a clean place to work. It is important that no dirt or foreign material enters the unit during repairs. Dirt is abrasive and can damage bearings. It is always good practice to clean the outside of the unit before starting the planned disassembly.

#### Input Shaft

The Input Shaft can be removed from the transmission without removing the Counter Shafts, Main Shaft or Main Drive Gear. Special procedures are required and provided in this manual.

#### Snap Rings

Remove snap rings with pliers designed for this purpose. Snap rings removed in this manner can be reused, if they are not sprung or loose.

#### When Using Tools to Move Parts

Always use restraint when applying force to shafts, housings, etc. Movement of some parts is restricted. Never apply force to driven parts after they stop solidly. The use of soft hammers, soft bars and mauls for all disassembly work is recommended.





---

## LAS/VAS Auxiliary Section Removal and Disassembly – In Chassis

### Special Instructions

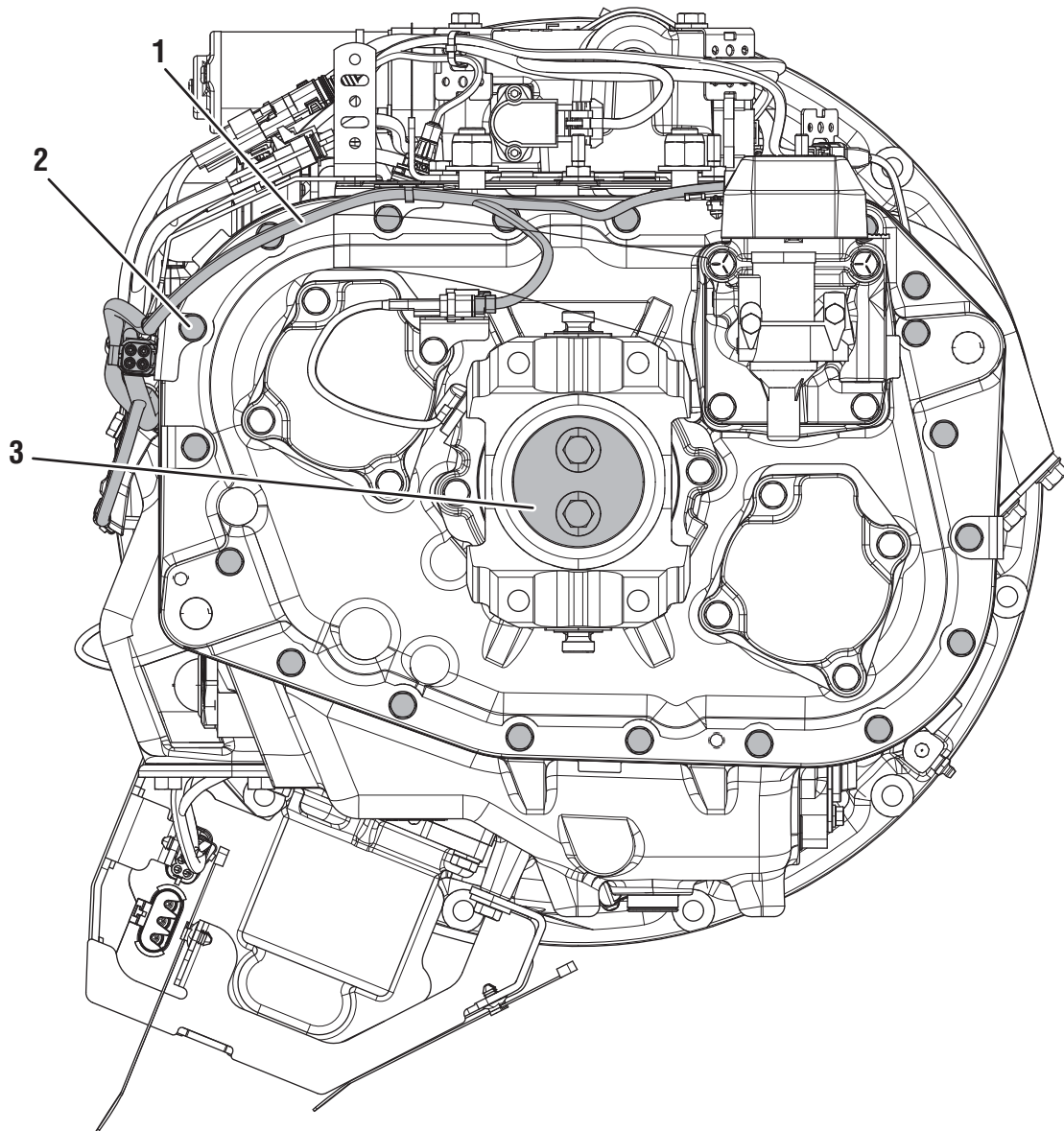
The following procedure covers the removal and disassembly of the Auxiliary section with the transmission remaining in the chassis. If the transmission is removed from the truck refer to the “LAS/VAS Auxiliary Section Removal and Disassembly” on page 17.



### Special Tools

None

## Component Identification



1. *Wiring Harness*
2. *Auxiliary Case Bolts (x19)*
3. *Auxiliary Main Shaft Retaining Flange and Yoke*

## In Chassis

1. Drain the oil.
2. Disconnect the OEM supplied air line. (Refer to Air Line disconnection for the procedure.)
3. Disconnect the driveline and move out of the way.
4. Disconnect the Wiring Harness from the Range Solenoid Valve and speed sensor.
5. If any OEM equipment needs to be removed refer to the OEM for guidelines.
6. Remove the 19 bolts securing the Auxiliary Section to the Transmission.
7. Put the removal jack in place and secure to the Auxiliary Section.
8. Slowly remove the Auxiliary Section from the Main Case and the dowel pins.
9. Once the Auxiliary Section is on the bench, go to LAS/VAS Auxiliary Section Removal and Disassembly on page 17.



## LAS/VAS Auxiliary Section Removal and Disassembly

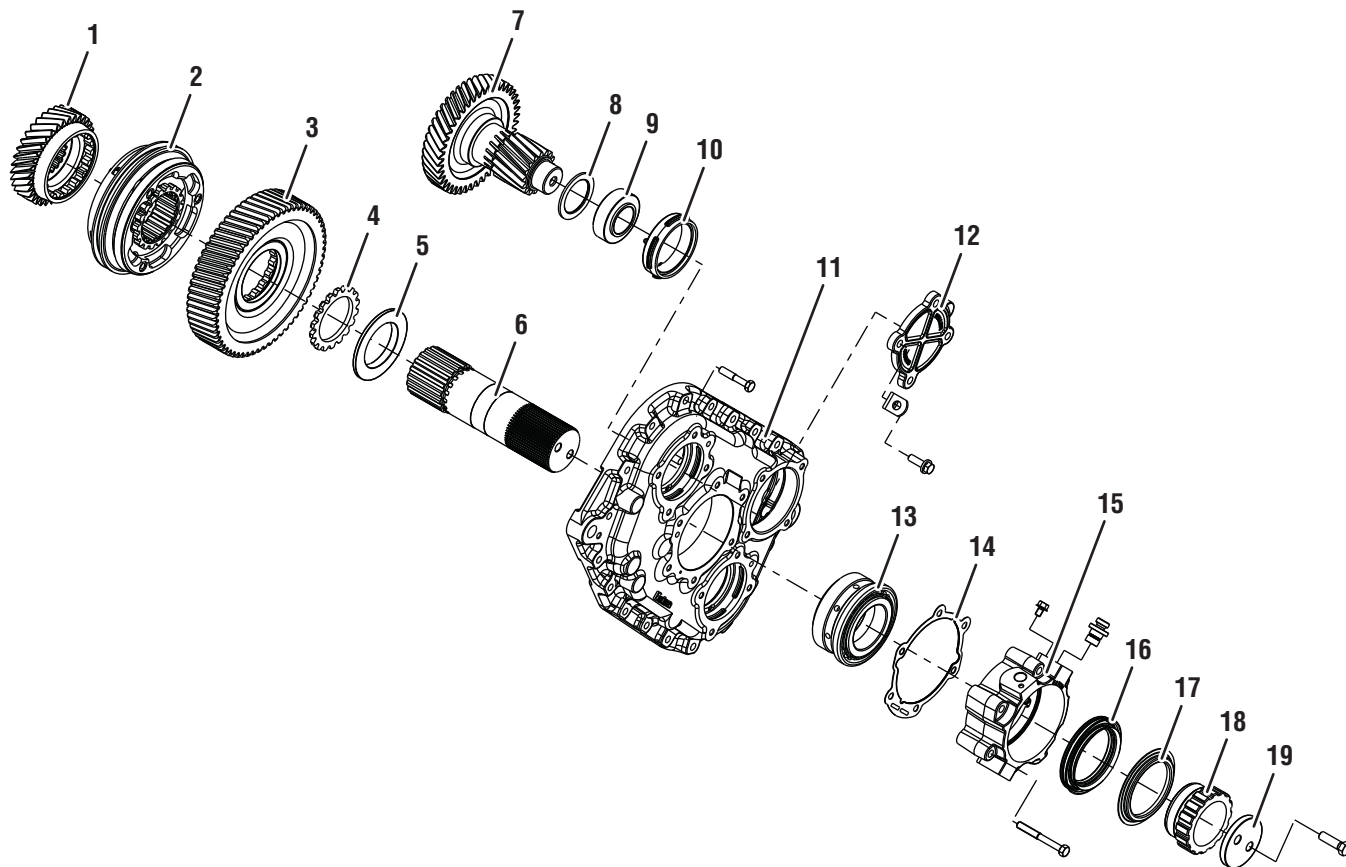
### Special Instructions

None

### Special Tools

- RR1006TR - Auxiliary Section Hanger
- RR1002TR - Counter Shaft Support Tools

### Component Identification

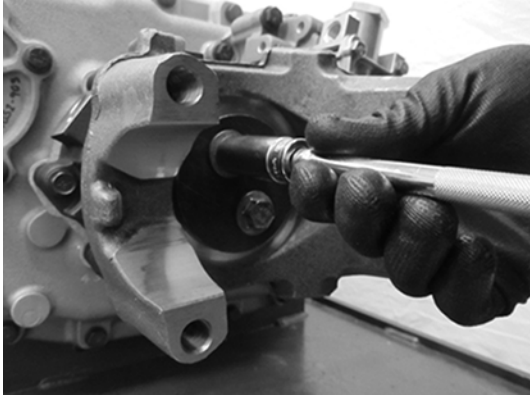


1. Auxiliary Drive Gear
2. Synchronizer Assembly
3. Reduction Gear
4. Washer
5. Spacer
6. Auxiliary Main Shaft
7. Auxiliary Counter Shaft
8. Spacer
9. Bearing
10. Race

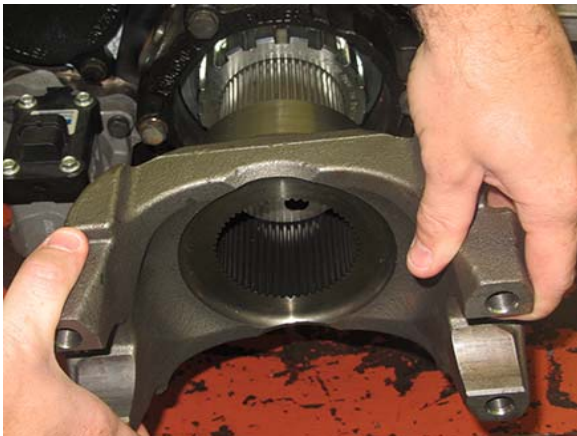
11. Auxiliary Case
12. Auxiliary Counter Shaft Cover
13. Auxiliary Main Shaft Bearing Set
14. Gasket
15. Bearing Cover
16. Seal
17. Dust Shield
18. Speed Rotor Assembly
19. Output Yoke Retainer Flange

## Output Yoke Removal

1. Remove the two bolts that fasten the Output Yoke to the Output Shaft.



2. Remove the Output Yoke from the Output Shaft, a maul or hammer may be required to apply force to the yoke for removal.



## LAS/VAS Auxiliary Section Removal

1. Remove both Auxiliary Counter Shaft Bearing Covers.

**Note:** Mark the covers to indicate which position they are in as they will need to be reinstalled in the same location.



2. Install Auxiliary Counter Shaft Support Straps using bolts 3 out of the 4 bolts for the Auxiliary Counter Shaft Bearing Covers. Use the longer bolts to secure the center of each strap as this will ensure the Auxiliary Counter Shafts will remain in time.



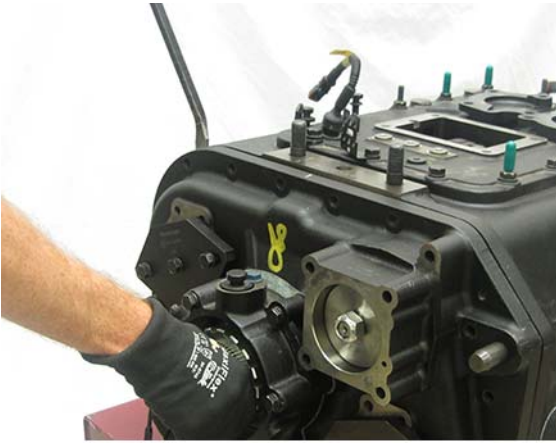
3. Remove the 19 bolts that fasten the Auxiliary Section to the Transmission Main Case.

**Note:** Remove the Range Cylinder Assembly, if needed, in order to remove all Auxiliary Case bolts.

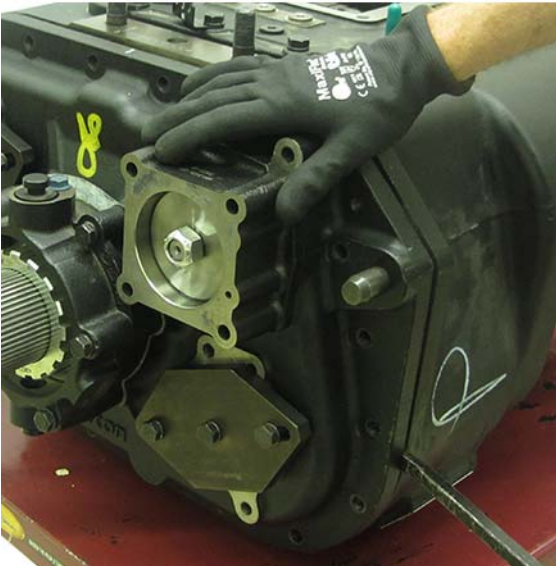
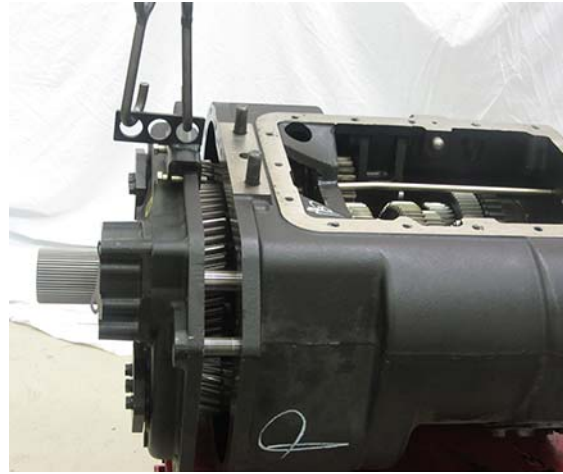




- Using prying points, separate the Auxiliary Section from the Transmission Main Case enough to fit the Auxiliary Section Lifting Bracket into place.



- Using an overhead crane or hoist, remove the Auxiliary Section with the Auxiliary Section Lifting Bracket.



## LAS/VAS Auxiliary Section Removal and Disassembly

1. Remove the six cap screws that fasten the Output Shaft Bearing Cover to the Auxiliary Section, remove the Output Shaft Bearing Cover.



2. Remove the cap screws that fasten the Range Cover to the Range Cylinder. Remove the Range Cover.



3. Remove the single cap screw that fastens the Range Piston to the Range Shift Yoke Bar.



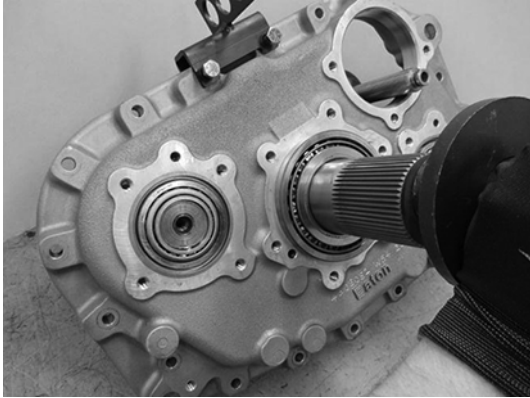
4. Remove the Range Cylinder assembly.



**Caution:** Auxiliary Counter Shafts will fall out part way through this process.



5. Place the Auxiliary Section on a bench with the gearing facing down; remove the Auxiliary Counter Shaft Support Straps, using a hand maul drive the Output Shaft out of the case.



6. As the Auxiliary Main Shaft is driven out, remove the Synchronizer assembly and the Range Yoke.
7. Remove the bearing cup and outer spacer from the Auxiliary Case bore.



8. Using the front face of the low range gear as a base, press the Output Shaft through the gear and bearing. Remove the bearing and washer from the hub of the Auxiliary Reduction Gear.

**Note:** If reusing the bearing set, the tapered roller bearings are specific to each side of the race.



9. Remove the splined spacer and stepped washer from the Auxiliary Reduction Gear.



## Range Synchronizer Disassembly

1. Remove the Range Synchronizer from the Output Shaft.



2. Place the Low Range Synchronizer on a bench with the larger ring facing down, (place a shop towel over the assembly to avoid losing any springs) pull the High Range Synchronizer from the Blocker Ring



3. Remove the Sliding Clutch from the pins of the Synchronizer Ring.



## Range Synchronizer Assembly

1. Install the Sliding Clutch on the Blocker Pins with the recessed side up.



2. Install the three springs into the bores of the High Range Synchronizer Ring.



3. Place the High Range Synchronizer Ring over the Blocker Pins of the Low Range Synchronizer, seating the springs against the pins.



4. Apply downward pressure to the High Range Synchronizer Ring while twisting counterclockwise to compress the springs and fully seat the ring on the Blocker Pins of the Low Range Synchronizer.



5. Install the Synchronizer assembly on the splines of the Auxiliary Main Shaft with the Synchronizer seated against the Range Reduction Gear.



## LAS/VAS Auxiliary Section Assembly and Installation

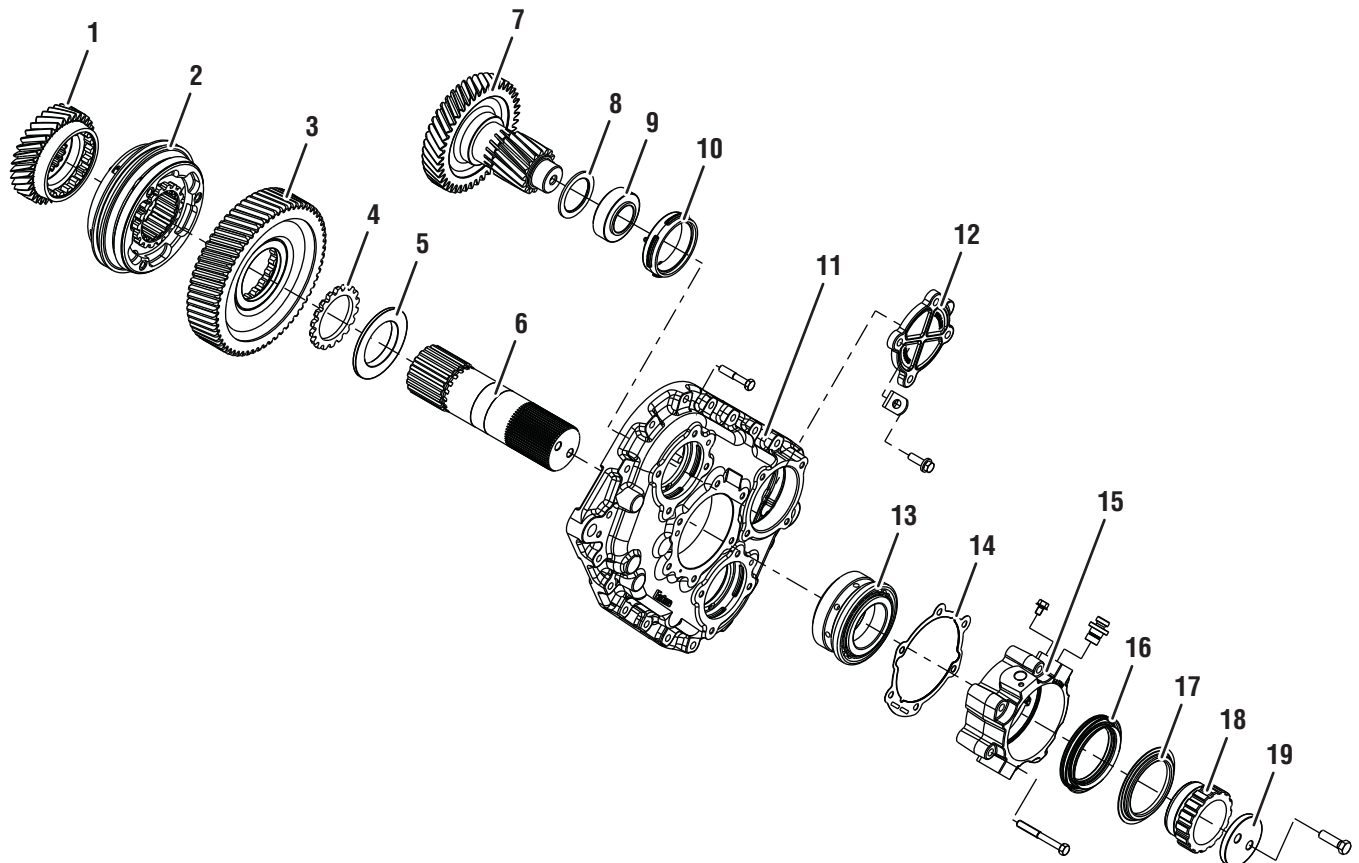
### Special Instructions

None

### Special Tools

PVC pipe (4-3/8" tall x 4" diameter)

### Component Identification



1. Auxiliary Drive Gear
2. Synchronizer Assembly
3. Reduction Gear
4. Washer
5. Spacer
6. Auxiliary Main Shaft
7. Auxiliary Counter Shaft
8. Spacer
9. Bearing
10. Race

11. Auxiliary Case
12. Auxiliary Counter Shaft Cover
13. Auxiliary Main Shaft Bearing Set
14. Gasket
15. Bearing Cover
16. Seal
17. Dust Shield
18. Speed Rotor Assembly
19. Output Yoke Retainer Flange



## LAS/VAS Auxiliary Section Assembly

1. Place Output Shaft on bench with yoke end facing up.



2. Install the stepped washer onto the backside of the Auxiliary Reduction Gear.



3. Install the splined spacer into the clutching teeth of the Auxiliary Reduction Gear.



4. Install the Auxiliary Reduction Gear onto the Output Shaft with the clutching teeth facing down.



5. Mark any two teeth 180 degrees apart on the Range Reduction Gear using a highly visible dye.



7. Drive the bearing down to the Auxiliary Reduction Gear using the Output Shaft Bearing Driver.



6. Place the inner bearing (longer rollers) tapered side up over the Auxiliary Main Shaft.



8. Slide the bearing spacer down on top of the inner bearing.



## LAS/VAS Auxiliary Counter Shaft Installation and Timing

### Auxiliary Counter Shaft Installation and Timing

1. If previously removed, install the bearings onto the rear of each Counter Shaft.



2. On each Auxiliary Counter Shaft assembly, use a highly visible color of dye to mark the valley between the two gear teeth of each auxiliary Counter Shaft assembly low-range gear stamped with “O” for timing purposes.

**Note:** The “O” may be behind the washer and bearing on the rear of the Counter Shaft Gear.



- Place the Auxiliary Main Shaft positioning cone around the splines of the shaft, set the Main Shaft upright with the Synchronizer facing down.

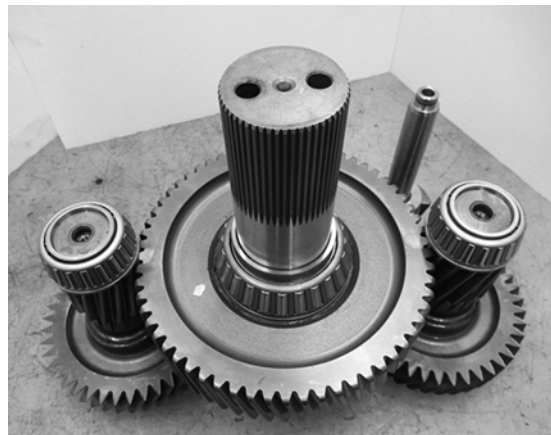
**Note:** Cone size must be 4-3/8" tall with a 4" inner diameter. PVC pipe is recommended.



- Move the upper and lower Counter Shafts into place on the Range Reduction Gear lining up the timing marks previously made.



- Position the Range Shift Yoke on the Range Synchronizer Sliding Clutch with the shaft aligned above the lower Counter Shaft.



- Install the double bearing race into the Auxiliary Case with the race flange out.



- Before installing the Main Case, remove excess RTV sealant from the mating surfaces of the Auxiliary Case and Main Case.

8. Place the Auxiliary Case over the Main Shaft/Counter Shaft assembly.



9. Install the upper and lower Counter Shaft Rear Bearing Races into the Auxiliary Case.



10. Install the Auxiliary Counter Shaft Support Straps to hold the Counter Shafts in place.

**Note:** Hold the Counter Shafts from spinning while tightening Auxiliary Counter Shaft Support Straps, failure to do this could allow Counter Shafts to come out of time with the Range Reduction Gear.



11. Place the outer Auxiliary Shaft Bearing over the shaft with the tapered side down (short rollers), drive into place using the Output Shaft Bearing Driver.



12. Install the Output Shaft Bearing Cover and gasket.



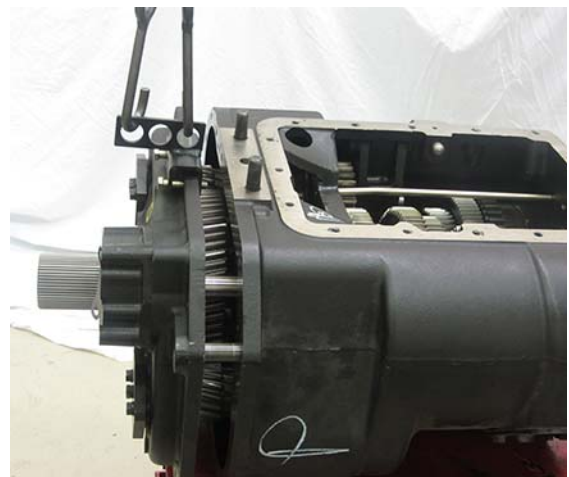
13. Apply lube to the o-ring on the Range Shift Fork Shaft and Range Cylinder O-ring, install the Range Cylinder.



14. Apply lube to the Range Piston O-ring, install piston into the Range Cylinder. Install the Range Piston cap screw and torque to 20–25 lb-ft.



15. If the Main Case gearing does not need to be serviced, attach the Auxiliary Section Lifting Bracket to the top of the Auxiliary Case.



16. Install a new gasket on the surface between the Main Case and the Auxiliary Case.



17. Install the Auxiliary Case assembly onto the Transmission Main Case dowel pins. Using the Output Shaft, wiggle the Auxiliary Case forward until it is as far forward as possible. Remove the Auxiliary Section Lifting Bracket.



18. Push Auxiliary Section flush with the Transmission Main Case and install cap screws. Torque cap screws to 40–45 lb-ft.

**Note:** If Auxiliary Case does not come flush with the Transmission Main Case with minimal force this could indicate an issue with Auxiliary gearing timing.

**Note:** If Auxiliary Section Bearings or gearing were replaced then the Auxiliary Counter Shaft shimming procedures will need to be followed.



## LAS/VAS Auxiliary Section Installation in Chassis

1. Ensure that the Auxiliary Counter Shaft Support Straps are still installed and all three cap screws are snug.



2. Install new gasket between the Main Case and Auxiliary Case.



3. Using a transmission jack and support bracket, lift the Auxiliary Case assembly and line up the two holes in the Auxiliary Case with the Transmission Main Case alignment pins. Push the case forward toward the Transmission Main Case.

**Note:** Verify the Auxiliary Counter Shafts are still timed to the Auxiliary Reduction Gear before installing. This will allow for easier installation and timing to the Auxiliary Drive Gear.





- Once the Auxiliary Case is pushed as far into the Transmission Main Case as possible, remove the Auxiliary Section Lifting Bracket. Loosen the Auxiliary Counter Shaft Support Strap cap screws and fully seat the Auxiliary Case to the Transmission Main Case.

**Note:** Fully seating the Auxiliary Section to the Transmission Main Case should take light force; do not draw it in with bolts. If the Auxiliary Section will not come flush with the Transmission Main Case, a timing issue with the Auxiliary Section gearing may be the cause.



- Install the 16 cap screws that fasten the Auxiliary Section to the Transmission Main Case. Torque bolts to 35–45 lb-ft.



## LAS/VAS Auxiliary Counter Shaft Shimming

- Remove the Auxiliary Counter Shaft Support Straps and install a 0.100" shim between the cover and Auxiliary Counter Shaft. Use two of the Counter Shaft Bearing Cover bolts and torque bolts to 7 lb-in. Spin the Output Shaft multiple times to assist in seating the bearing races. Ensure cap screws are still torqued at 7 lb-in.



- Using feeler gages, measure the gap between the Auxiliary Counter Shaft Covers and the Auxiliary Case. Use multiple positions closest to the cap screws.



3. Subtract the thickness of feeler gauges needed to fit in between the Auxiliary Case and Auxiliary Counter Shaft Covers from 0.100". Use that number to pick a shim that will allow for end-play of within 0.001"–0.005".

**Note:** Example: 0.042" of feeler gauges fit in between Auxiliary Case and the Auxiliary Counter Shaft Bearing Cover. Subtract 0.042" from 0.100" which equals 0.058". A shim of 0.052"–0.055" would be required for the 0.003"–0.005" end-play. (If the required thickness shim does not exist, use the closest undersized shim.)

4. Install required shim into bearing bore, Install new gasket between the Main Case and Auxiliary Case.



## Range Cylinder LAS/VAS Model Rebuild – In Chassis

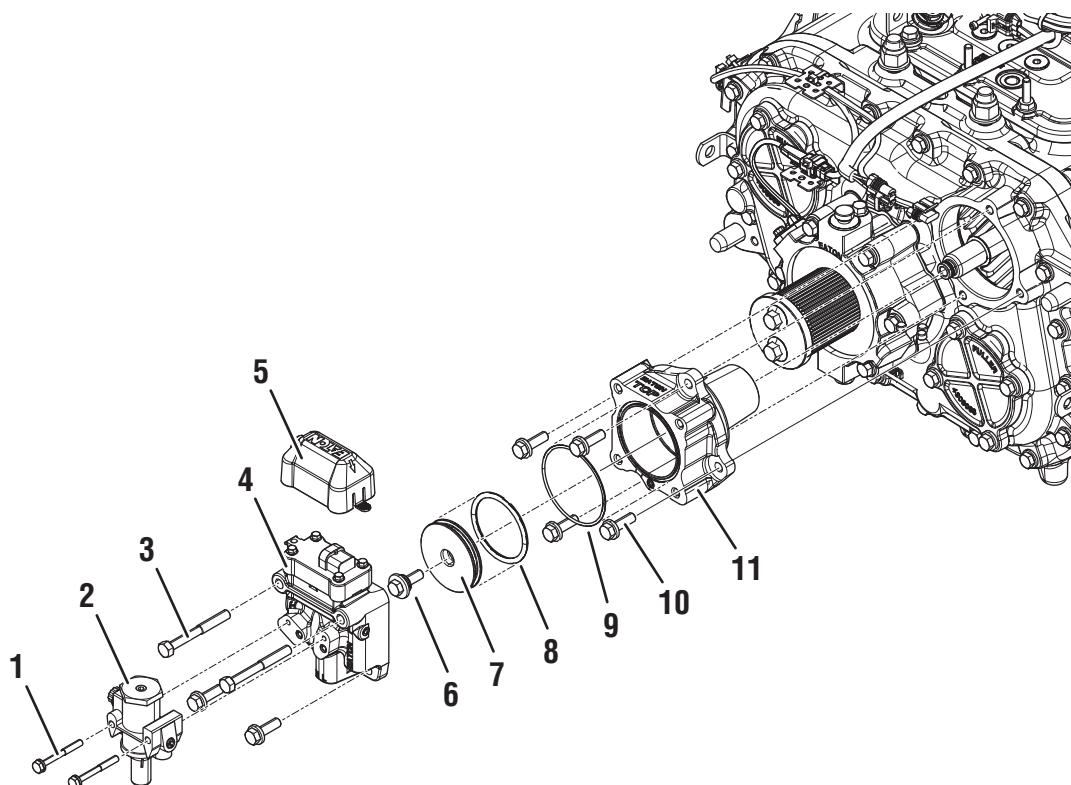
### Special Instructions

None

### Special Tools

None

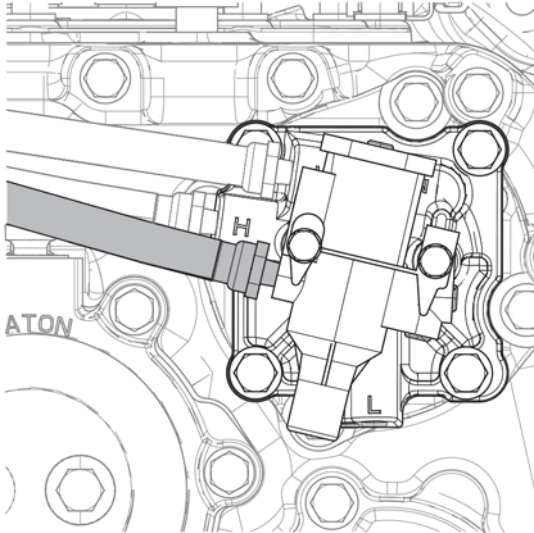
### Component Identification



1. Air Filter/Regulator Bolts (x2)
2. Air Filter/Regulator
3. Range Cylinder Cover Bolts (x4)
4. Range Cylinder Cover and Range Solenoid Valve
5. Range Solenoid Valve Cover
6. Range Cylinder Piston Bolt
7. Range Cylinder Piston
8. Range Cylinder Piston O-ring
9. Range Cylinder O-ring
10. Range Cylinder Bolts (x4)
11. Range Cylinder

## Range Cylinder Disassembly

1. Drain the air on truck before disconnecting the air supply line to the Air Filter Regulator.



2. Disconnect the air lines and mark lines that go to the Range Cylinder low and high side fitting.
3. Remove the Air Filter Regulator



4. Disconnect the Transmission Harness from the Range Cylinder Actuator.



5. Remove the 4 bolts that hold the range cover and range cylinder to the auxiliary case. Remove the cover.



6. Remove the retaining bolt for the Range Cylinder Piston.



8. Remove the piston from the Range Cylinder.



7. Remove the Range Cylinder and piston from the Auxiliary Case.



9. Inspect for cut O-rings, rust or debris in the cylinder, scoring, and blocked air passages.

## Range Cylinder Assembly

1. Install a new gasket on the Range Cylinder to seal against the Auxiliary Case. Clean off any remaining debris from the old gasket.
2. Install the Range Cylinder in the bore. Make sure the cylinder is positioned so that the concave corner is in the top right. This allows for proper access to the bolt that secures the Auxiliary Case to the Main Case.



3. Install a new O-ring on the Range Piston and Range Yoke Bar. Lube with silicone.



4. Install the Range Piston into the cylinder and onto the yoke bar.



5. Torque the bolt 35–45 lb-ft.



6. Install a new gasket between the Range Cylinder and the Range Cylinder Cover.

**Note:** Verify that the small air passage is located at the bottom to align properly with the cover.



7. Install the Range Cylinder Cover and 4 bolts. Torque bolts 30–35 lb-ft.



8. Reconnect the Transmission Harness to the Range Cylinder Actuator.



9. Install the Air Filter Regulator and torque bolts 8–12 lb-ft.



10. Install the air lines to the Range Cover as marked and connect the air supply lines to the Air Filter Regulator.
11. Verify all the work is done correctly. Air-up the truck and verify operation of the Transmission Range System.



## VCS/VMS Auxiliary Section Removal and Disassembly – In Chassis

### Special Instructions

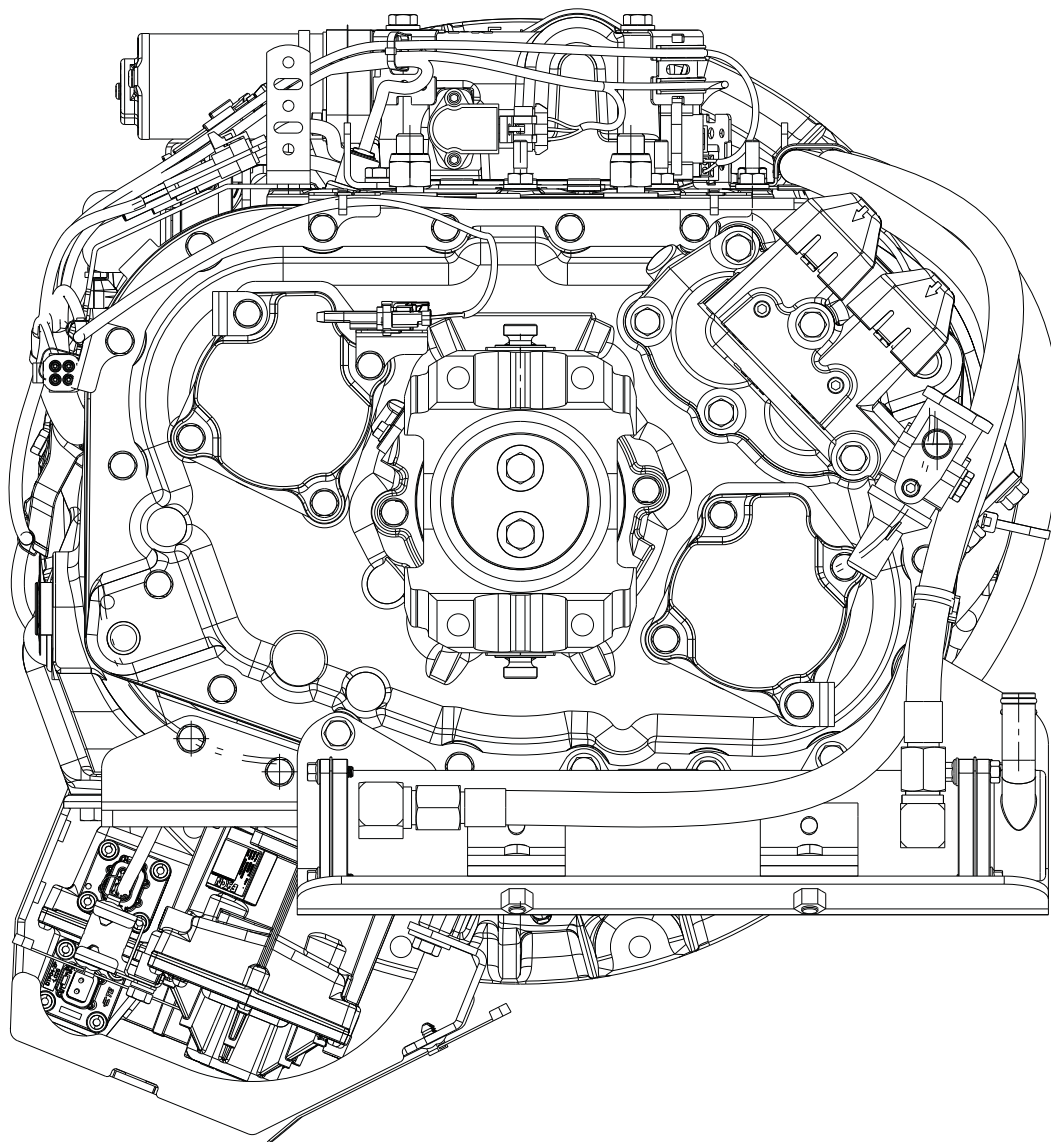
The following procedure covers the removal and disassembly of the Auxiliary Section with the transmission remaining in the chassis.

If the transmission is removed from the truck refer to the “VCS/VMS Auxiliary Section Removal and Disassembly” on page 46.

### Special Tools

- RR1002TR – Counter Shaft Support Tools
- Support jack

### Component Identification



## In Chassis Auxiliary Section Removal

1. Drain the Oil.
2. Disconnect the OEM supplied air line (Refer to Air Line disconnection for the procedure).
3. Disconnect the driveline and move out of the way.
4. Disconnect the wiring harness from the combination solenoid valves and speed sensor.
5. If any OEM equipment needs to be removed refer to the OEM for guidelines.
6. Remove both Auxiliary Counter Shaft Bearing Covers.

**Note:** It is helpful to mark the covers to indicate which position they are in as they will need to be reinstalled in the same location

7. Install Auxiliary Counter Shaft Support straps with 2- 3/8" NC x 1" and 1- 3/8"NCx1 1/2" clean capscrews. Use the longer bolts to secure the center of each strap as this will ensure the Auxiliary Countershafts will remain in time.

**Note:** Do not use an air gun. Tighten by hand until the screws are snug.

8. Remove the 19 bolts securing the Auxiliary Section to the transmission main case.
9. Position the removal jack in place and secure to the Auxiliary Section.
10. Slowly remove the Auxiliary Section from the main case and the dowel pins.
11. Once the Auxiliary Section is on the bench, go to "VCS/VMS Auxiliary Section Removal and Disassembly" on page 46.

## VCS/VMS Auxiliary Section Removal and Disassembly

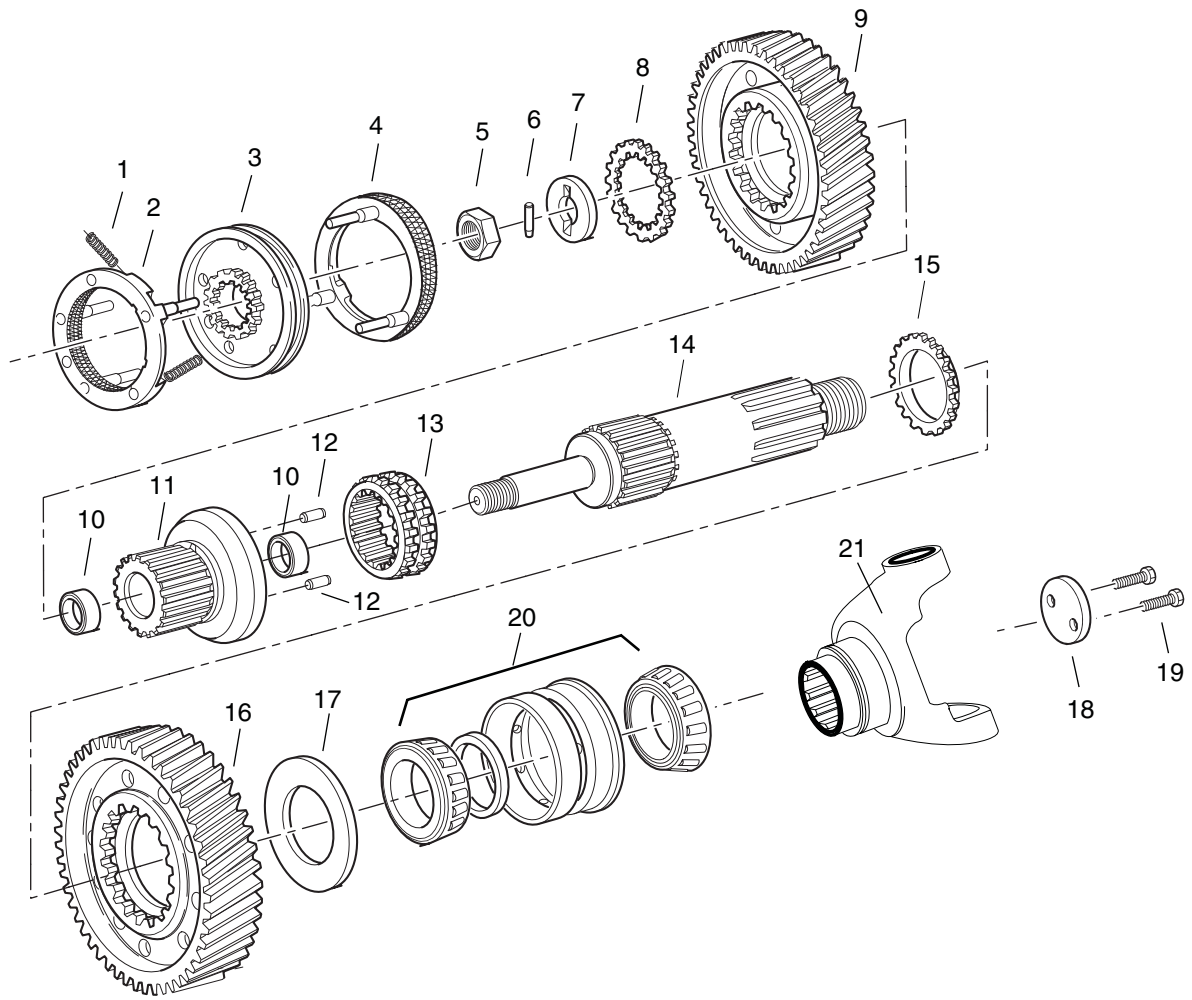
### Special Instructions

None

### Special Tools

- RR1006TR – Auxiliary Section Hanger
- RR1002TR – Counter Shaft Support Tools
- Soft bar
- Maul
- Press
- Hoist with lifting chain
- ACM Alignment Pins (P/N XXXX)

### Component Identification



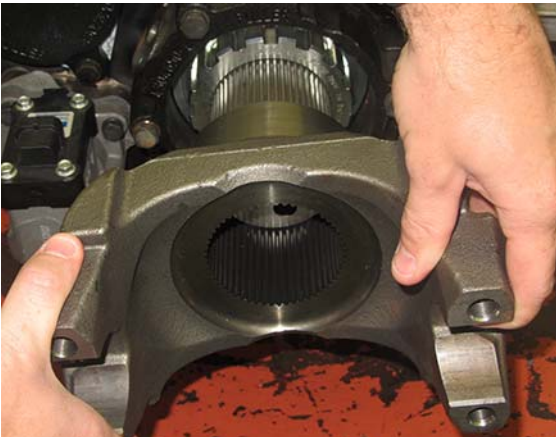
- |                          |                                 |
|--------------------------|---------------------------------|
| 1. Spring                | 12. Pin                         |
| 2. Synchronizer Assembly | 13. Sliding Clutch              |
| 3. Sliding Clutch        | 14. Mainshaft                   |
| 4. Synchronizer Assembly | 15. Washer                      |
| 5. Nut                   | 16. Deep Reduction Gear         |
| 6. Dowel Pin             | 17. Washer                      |
| 7. Washer                | 18. Output Yoke Retainer Flange |
| 8. Washer                | 19. Hex Flange Head Screw       |
| 9. Reduction Gear        | 20. Tapered Roller Bearing      |
| 10. Bushing              | 21. Universal Joint Yoke        |
| 11. Mainshaft Assembly   |                                 |

## Output Yoke Removal

1. Remove the two bolts that fasten the output Yoke to the output shaft.



2. Remove the Output Yoke from the Output Shaft. A maul or hammer may be required to apply force to the yoke for removal.



## Auxiliary Section Removal

1. Remove both Auxiliary Counter Shaft Bearing Covers.

**Note:** It is helpful to mark the covers to indicate which position they are in as they will need to be reinstalled in the same location.



2. Install Auxiliary Counter Shaft Support straps with 2- 3/8" NC x 1" and 1- 3/8" NC x 1 1/2" clean capscrews. Use the longer bolts to secure the center of each strap as this will ensure the Auxiliary Countershafts will remain in time.

**Note:** Do not use an air gun. Tighten by hand until the screws are snug.

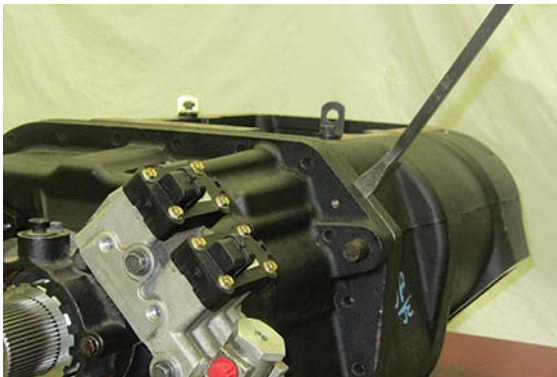


- Remove the 19 bolts that fasten the Auxiliary Section to the Transmission Main Case.



- Using a pry bar to assist, separate the Auxiliary Section from the transmission main case enough to fit the auxiliary section hanger (RR1006TR) into place.

**Note:** If unable to free Auxiliary section, use the two (2) longest bolts from the Auxiliary Case housing and insert them into the housing flange tapped holes. Tighten bolts evenly to move the Auxiliary Section away from the front box. Tighten until the gasket seal is broken.



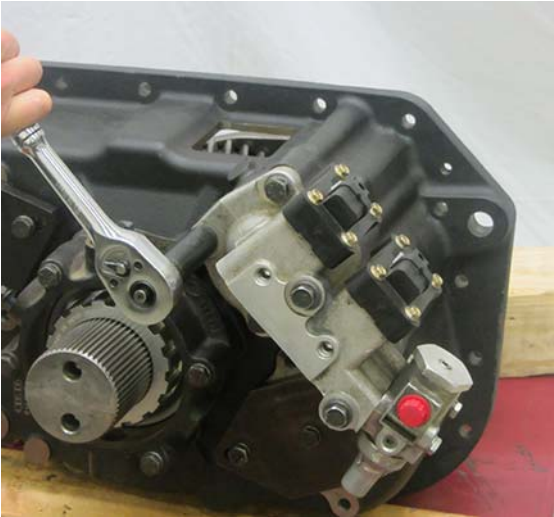
- Using an overhead crane or hoist, remove the Auxiliary Section with the auxiliary section hanger.

**Note:** The weight of the Auxiliary Section must be supported during removal to avoid damage to internal transmission parts.



## Auxiliary Section Disassembly

1. Remove the 5 cap screws that fasten the Combination Cylinder Cover to the Auxiliary Main case. Remove the Range Cover.



2. Remove the 15/16" & 3/4" nuts that fasten the Range and Reduction Pistons to the Range and Reduction shift Yoke bars.



3. Remove the Combination Cylinder assembly.

**Note:** For Combination Disassembly and Assembly, see



4. Prepare the Auxiliary Section to remove the Auxiliary Counter Shafts. For ease of disassembly, mount the Auxiliary Section upright in a vise.



- Loosen the 1 1/2" nut retainer on the Output Shaft. Do not remove the nut.

**Note:** To prevent the counter shafts from turning, place a shop rag or equivalent between the splitter gear and one counter shaft.

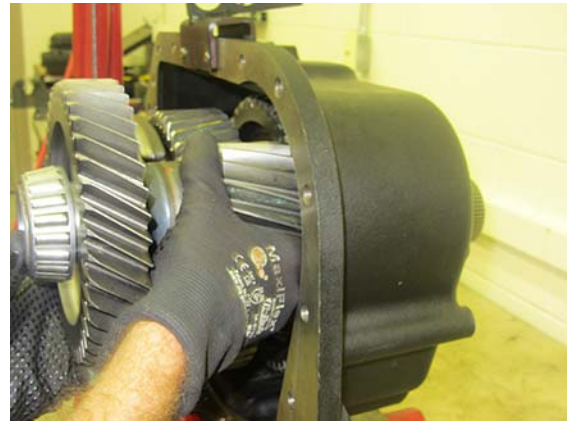
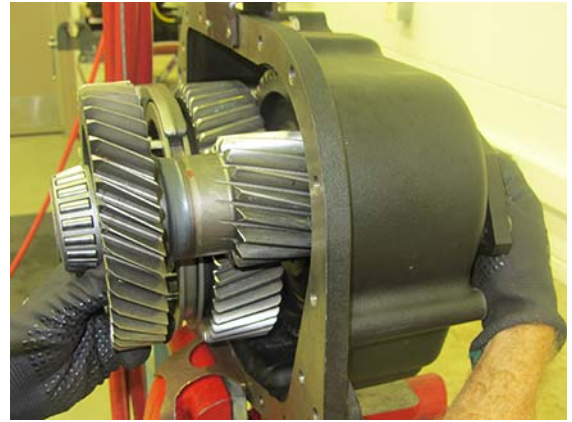


- Using a soft bar and maul, drive the Output Shaft forward far enough to partially unseat the bearing.



- Support the Auxiliary Countershaft and remove the strap from the rear of the Auxiliary Case Housing

- As the counter shaft straps are removed, the Counter Shaft can fall!



- Repeat process to remove 2nd Auxiliary Counter Shaft.



- Remove the Auxiliary Counter Shaft Bearing Races from their bores.



11. If necessary, secure the Countershafts in a vise and remove both the front and rear bearings from the shafts with a bearing separator and jaw pullers.
12. Remove the 1 ½" nut retainer that was loosened in step 6.

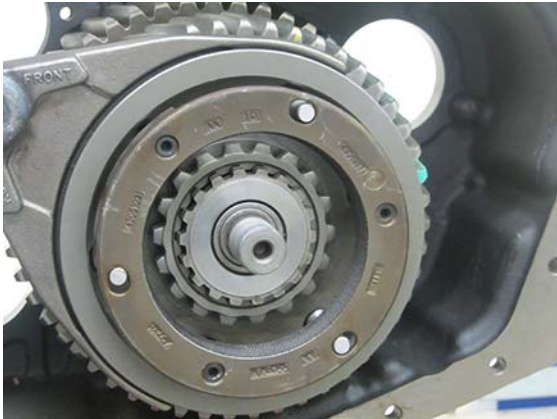


13. Remove the washer and dowel pin from the Auxiliary Mainshaft

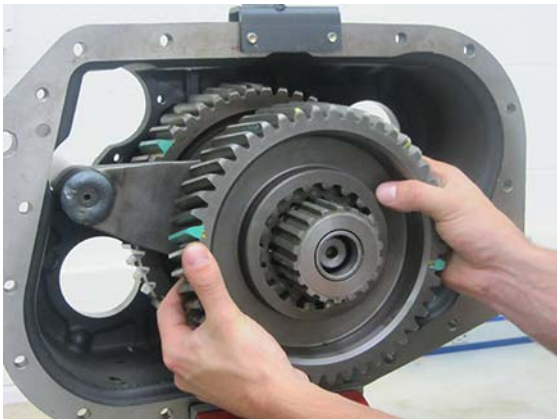


14. Remove the Range Synchronizer Assembly with the Range Yoke from the Output Shaft.

**Note:** For disassembly and assembly of the Synchronizer, please refer to the “How to disassemble the Synchronizer Assembly” section.



15. Remove the Low Range Gear and Coupler Assembly.



16. Using a punch and hammer, drive the two coupler pins from the front of the coupler. Align the coupler splines with the washer splines and remove the range coupler from the Low Ranger Gear (Reduction Gear).

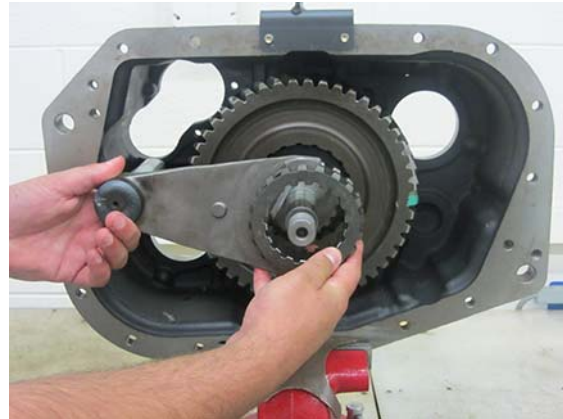


17. Remove the bushings from inside the coupler if necessary.

- 18.** Align the Splined Washer along the Coupler Shaft.  
Remove the Coupler from the Range Gear and Washer.



- 20.** Remove the sliding clutch and Deep Reduction Yoke Assembly.



- 19.** Remove the splined washer from inside the Low Range Gear (Reduction Gear)



- 21.** Using a soft bar and maul, drive the Output Shaft forward and through the Rear Bearing Assembly.



22. Remove the six cap screws that fasten the Output Shaft bearing cover to the Auxiliary Section.



25. Remove the rear portion of the tapered bearing which should be free sitting in the race in the case. Also remove the one piece race from its bore.



23. Remove the Output Shaft bearing cover.



24. Inspect the Rear Bearing Cover oil seal for damage. Remove if damage is found.

## Auxiliary Mainshaft Assembly Disassembly

1. Remove the bearing inner spacer from the Output Shaft



3. Remove the spacer and stepped washer from the Deep Reduction Gear



2. Using the Deep Reduction Gear front as a base, press the Output Shaft through the bearing and gear.

**Note:** If reusing the bearing set, the tapered roller bearings are specific to each side of the race.

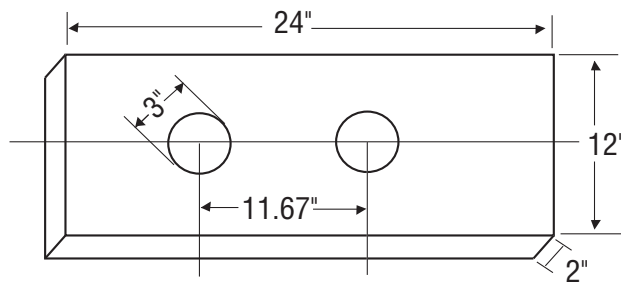


## VCS/VMS Auxiliary Section Assembly and Installation

### Special Instructions

Make sure the magnetic plugs are installed in the auxiliary housing

To assist in the assembly of the Auxiliary Section, you can make an Auxiliary section fixture out of a 2" by 12" piece of wood.



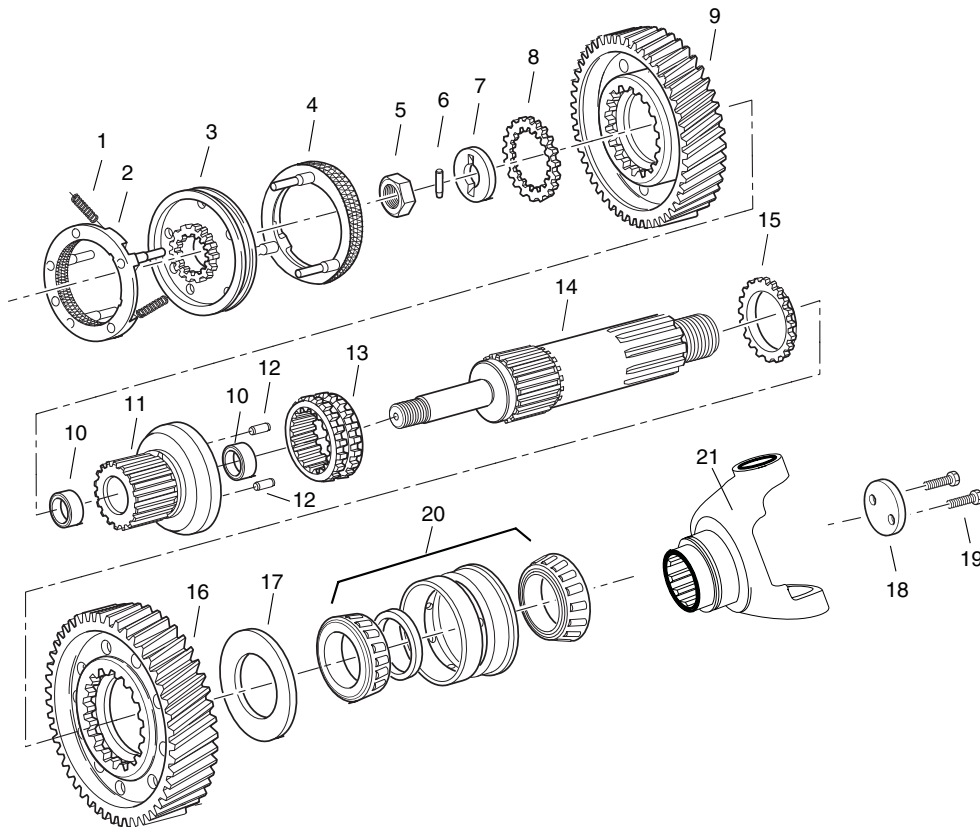
This fixture is designed to ease the assembly of the auxiliary gearing. Set the Auxiliary Countershaft front bearings in the 3" holes.

Set the assembled Auxiliary Mainshaft between the countershafts with the timing marks aligned.

### Special Tools

- Bearing Drivers
- Maul
- PVC Pipe
- RR1002TR Auxiliary Countershaft Support Straps

## Component Identification



1. Air Filter/Regulator Bolts (x2)
2. Air Filter/Regulator
3. Range Cylinder Cover Bolts (x4)
4. Range Cylinder Cover and Range Solenoid Valve
5. Range Solenoid Valve Cover
6. Range Cylinder Piston Bolt
7. Range Cylinder Piston
8. Range Cylinder Piston O-ring
9. Range Cylinder O-ring
10. Range Cylinder Bolts (x4)
11. Range Cylinder

## Auxiliary Section Assembly

1. Assemble the Deep Reduction Sliding clutch over the splines on the Auxiliary Main Shaft. Install the clutch from the front of the shaft.



2. Prepare the Low Range Gear for timing. Mark any tooth on the gear and repeat on the tooth directly opposite of the first marked.



3. On the Low Range Gear Coupler, install the bushings if removed.
4. Install the Low Range Gear (Reduction Gear) over the Coupler.



5. With the splined washer facing up, place the washer in ID of the Low Range Gear. Rotate the washer so that it locks in place and aligns the drive pin holes.





6. Place the Low Range Gear Assembly on its side. Drive the pins through the lock washer using a punch and hammer.

**Note:** Make sure pins are installed below coupler thrust surface.



7. Position the Low Range Gear (Reduction Gear) on the Output Shaft with the coupler facing forward on the shaft.
8. Install the dowel pin on the shaft



9. Position retainer washer on the front of the shaft.



10. Install retainer nut on the front of the shaft. If reusing nut, apply locking compound to the threads. New nuts should have a pre-applied locking compound. Torque to 180-210 lb-ft.



11. Flip the Mainshaft so that it is sitting with the forward section down.



12. Install the stepped washer over the Auxiliary Mainshaft with the stepped side up facing the rear of the shaft.



13. Prepare the Deep Reduction Gear for timing. Mark any tooth on the gear and repeat on the tooth directly opposite of the first marked.



14. Install the Deep Reduction Gear over the Auxiliary Mainshaft with the clutching splines facing towards the front of the shaft. Line up the marked teeth on both the Low Range Gear and the Deep Reduction Gear.



15. Apply grease to Deep Reduction Gear rear thrust surface.

**16.** Install the large flat washer**17.** Select the front tapered Output Bearing (bearing with longer rollers) With the tapered side up, use heat, or a small punch to install the Output Shaft Rear Bearing.

**Note:** A Bearing Driver can also be used to seat the bearing, however if using a bearing driver, install the Bearing inner spacer prior to driving to avoid getting the driver stuck on the shaft.



18. Install the Bearing Inner Spacer on the Output Shaft.



21. Install the Synchronizer Assembly on the Auxiliary Mainshaft Assembly.



19. Lay the Auxiliary Mainshaft Assembly on its side.



20. Apply light coating of transmission lubricant to the surface of the synchronizer assembly.

## Auxiliary Countershaft Assembly and Timing

1. For timing purposes, identify and mark with a highly visible paint pen the two (2) teeth on each countershaft that are identified with a "0" on the shaft. Use a straight edge to line up the marked teeth with the teeth on the remaining two (2) countershaft gears. Paint these teeth.



2. Position the two Auxiliary Countershaft assemblies on a clean flat surface. Position the shafts so that the painted timing teeth are facing inward towards each other.

**Note:** To ease in the assembly and timing procedure. Use a fixture similar to the one outlined at the beginning of the section.



3. Install the assembled Auxiliary Mainshaft Assembly between the countershafts and match the timing marks.



4. Install the Range and Deep Reduction Yokes into their respective sliding clutches on the Auxiliary Mainshaft.



5. On the Deep Reduction Yoke, install the O-ring that will seat against the piston, P/N 4301348.
6. Lay the Auxiliary Case Housing front on a clean flat surface. Install the Bearing Race in the Bearing Bore.



7. Position the Auxiliary Case Housing over the Counter-shaft and Auxiliary Mainshaft Assemblies.

**Note:** Ensure the inner spacer is installed on the Auxiliary Mainshaft.

8. Install the rear Auxiliary Mainshaft bearing with the tapered side forward. Use heat or a bearing driver to fully seat the bearing.



9. Position a new Output Bearing Cover gasket on the rear Output Bearing Cover mounting surface and install the Rear Bearing Cover



10. Apply Eaton® sealant #71205 or equivalent to the retaining cap screws.

11. Install the six (6) retaining capscrews in the non-chamfered holes on the rear bearing cover. Torque to 35-45 lb ft.



15. Position a new gasket on the Combination Cylinder mounting surface. Install the Combination Cylinder.



12. Install the Auxiliary Countershaft Bearing Races.  
13. Install the Auxiliary Countershaft support straps, RR1002TR, with 2 – 3/8" NC x 1" and 1 – 3/8" NC x 2 1/2" clean capscrews

**Note:** Do not torque with an air gun. Tighten only to hand tight.



16. Apply lube to the Range and Reduction pistons. Install the pistons into their respective cylinders in the Combination Cylinder.



14. Apply lube to the o-rings on the Combination Cylinder and the yoke bars for the Range and Reduction.



17. . Install the 15/16" nut to secure the range yoke bar.  
Torque to 70-85 lb-ft.



18. Install the 3/4" nut that secures the reduction yoke bar.  
Torque to 50-65 lb-ft.



19. Position a new gasket on the Combination Cylinder mounting surface. Install the Combination Cylinder Cover. Apply Eaton® Sealant #71205 or equivalent to the five (5) retaining cap screws and torque to 35-45 lb-ft.



20. Attach the Auxiliary Section lifting bracket to the top of the Auxiliary Case.
21. Position a new Auxiliary Case Gasket on the mounting surface of the Main Case.
22. Install the Auxiliary Case Assembly onto the transmission Main Case dowel pins. Using the Output Shaft, wiggle the auxiliary case forward until it is as far forward as possible. Remove the auxiliary section lifting bracket.



23. Apply Eaton® Sealant #71205 or equivalent to the 19 retaining cap screws. Secure the Auxiliary Section to the main case. Torque to 35-45 lb-ft



## VCS/VMS Combination Cylinder Disassembly and Assembly

### Special Instructions

Apply Eaton® Lubricant or equivalent to Shift Cylinder Assembly and insert valve O-Rings so a film covers the entire surface of each O-Ring.

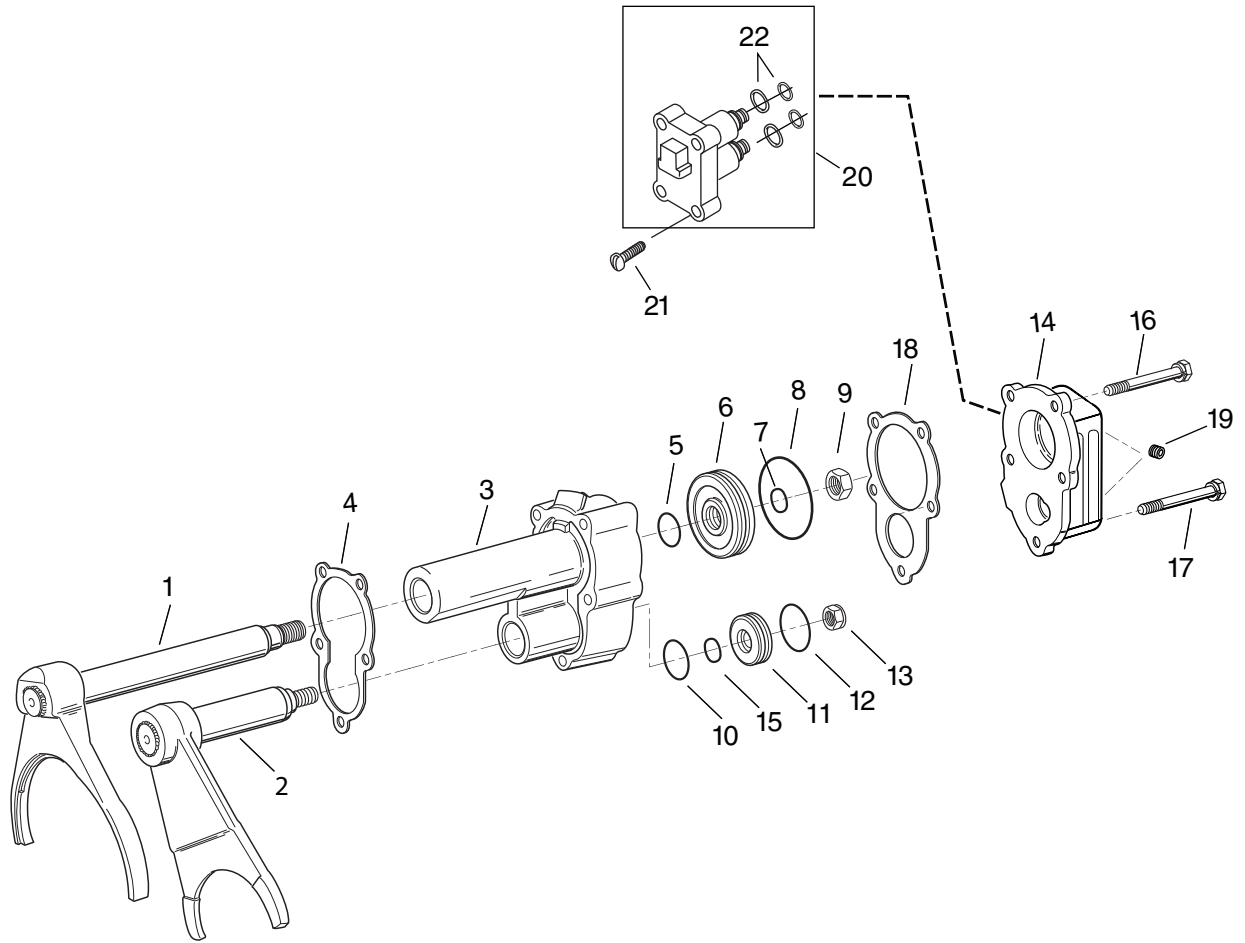
The same Installation and Removal procedures can be followed for both the range and reduction valves of the Combination Cylinder Assembly

The Range and Reduction Valves may be difficult to remove from the Transmission Housing because of the O-rings.

### Special Tools

Typical Service Tool

## Component Identification



1. Yoke Assembly
2. Yoke Assembly
3. Cylinder
4. Gasket
5. O-Ring
6. Piston
7. O-Ring
8. O-Ring
9. Nut
10. O-Ring
11. Piston

12. O-Ring
13. Nut
14. Combination Cylinder Cover
15. O-Ring
16. Hex Screw
17. Hex Screw
18. Cylinder Cover Gasket
19. Pipe Plug
20. Range/Splitter Valve
21. Hex Flange Head Screw
22. O-Ring

## VCS/VMS Combination Cylinder Disassembly

1. On the Combination Cover, remove the five (5) cap screws, cover, and gasket



2. Remove the 15/16" nut that secures the range yoke bar.



3. Remove the 3/4" nut on the reduction yoke bar.



4. Remove the cylinder housing and gasket.



5. Remove the Range and Reduction Pistons from the cylinder bores



6. Inspect the Range and Reduction Piston O-Rings for damage. Remove and replace if damage is present.



7. Inspect the O-ring inside the Range Cylinder Housing, remove and replace if damaged.



## Procedure – Combination Cylinder Assembly - VCS, VMS

1. Install the small O-Ring in the Range and Reduction cylinder housing bores. Lightly lubricate O-rings with Eaton® silicone lubricant #71206 or equivalent.



2. Install the Range and Reduction Piston O-rings on the pistons' I.D. and O.D. Lightly lubricate O-rings with Eaton® silicone lubricant #71206 or equivalent.



3. Install a new gasket on the Range Cylinder Housing Mounting Surface and Install the Cylinder housing into the Auxiliary Case Housing.



4. Lean the Auxiliary section back with the Range Cylinder upward. Insert the Range piston with flat side to rear. Push it as far back as far as it will go.
5. Secure the Range piston with the 15/16" retaining nut, torque to 70-85 lb-ft (94.91-115.24 N•m).



6. Insert the Reduction piston with flat side to rear. Push it as far back as far as it will go.



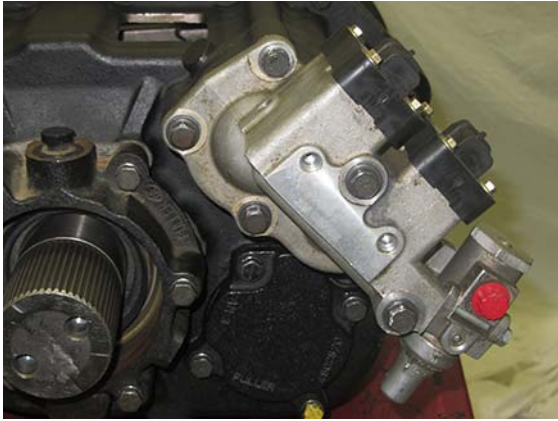
7. Secure the Range piston with the 3/4" retaining nut, torque to 50-65 lb-ft.

**Note:** If reusing existing nut, make sure the nylon locking material is in good shape. Replace if not.





8. Install a new gasket on the Cylinder Housing Cover mounting surface and install the Combination cylinder cover. Apply Eaton® Sealant #71205 or equivalent to the five (5) retaining cap screws and torque to 35-45 lb-ft.



## VCS/VMS Combination Valve Removal and Installation

### Special Instructions

None

### Special Tools

None

### Component Identification

None

## Combination Valve Removal

1. If equipped, remove the protective cover by pulling up on the release tab
2. Relieve system air pressure by draining air tanks on the vehicle. When air pressure has been relieved, disconnect the transmission harness from the combination valve.
3. Using a 5/16" Socket, remove the 4 mounting cap-screws from the combination valve.
4. Lift and remove the Combination valve from the housing.
5. Do not use a hammer to loosen the Combination Valve or it could be damaged.

## Combination Valve Installation

1. If equipped, remove the protective cover by pulling up on the release tab



**Important:** Follow each procedure closely in the detailed instructions. Be sure to make use of the text, illustrations and photographs provided.

2. Relieve system air pressure by draining air tanks on the vehicle. When air pressure has been relieved, disconnect the transmission harness from the combination valve.
3. Using a 5/16" Socket, remove the 4 mounting cap-screws from the combination valve.
4. Lift and remove the Combination valve from the housing.



**Caution:** Do not use a hammer to loosen the Combination Valve or it could be damaged.

# MHP/MXP/VHP/VXP Auxiliary Section Removal and Disassembly

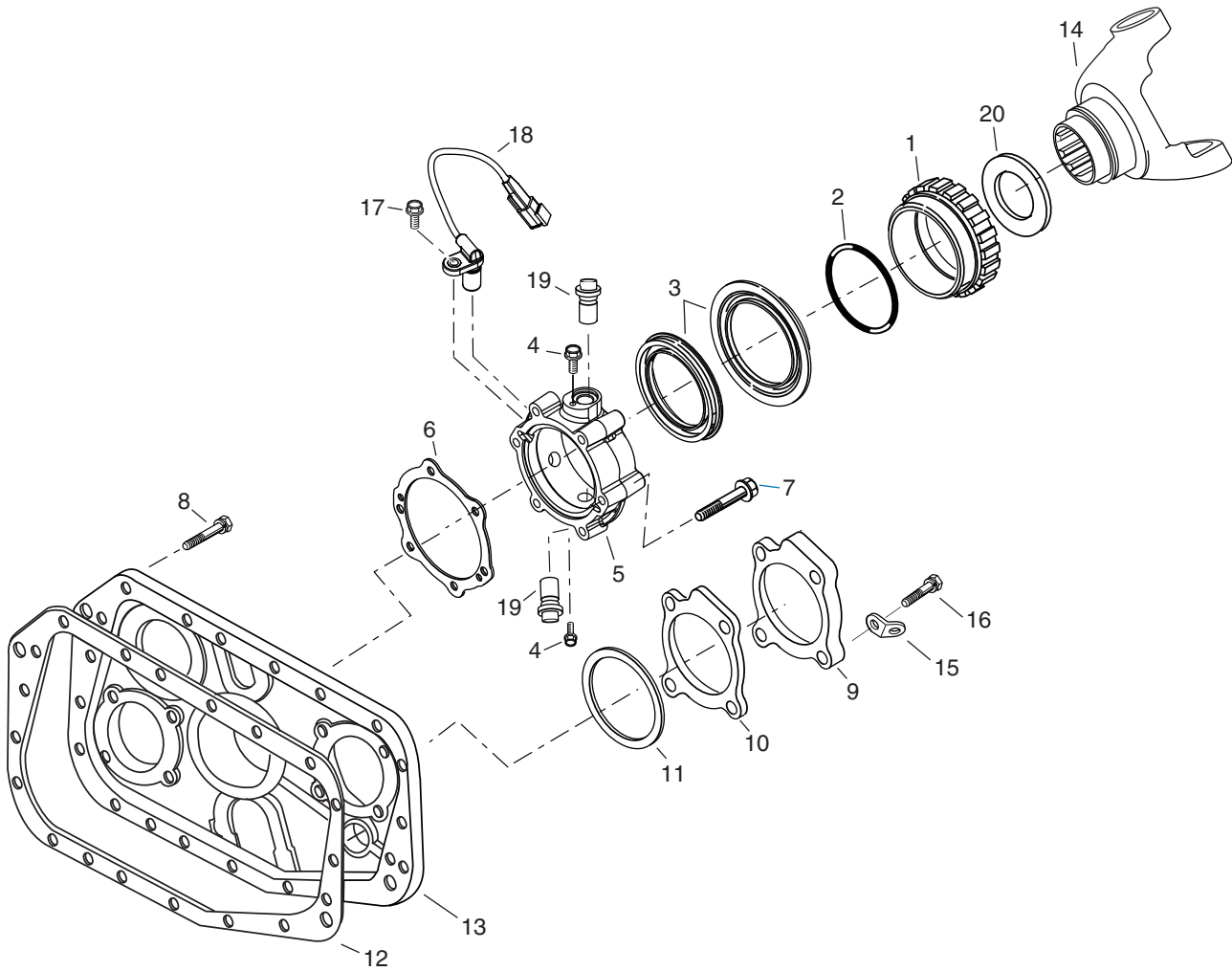
## Special Instructions

None

## Special Tools

- RR1006TR – Auxiliary Section Hanger
- RR1002TR – Counter Shaft Support Tools
- Soft bar
- Maul
- Press
- ACM Alignment Pins (P/N XXXX)

## Component Identification



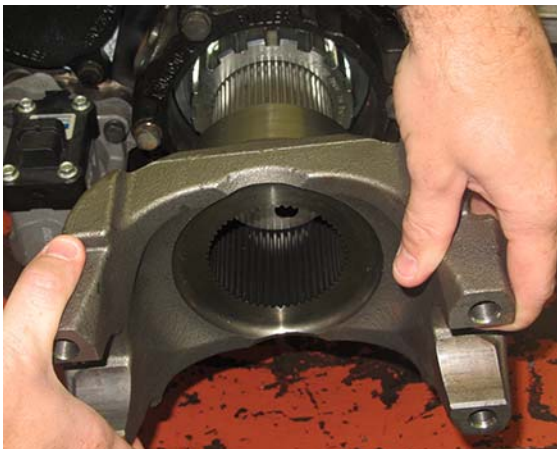
- |                                |                              |
|--------------------------------|------------------------------|
| 1. Rotor Assembly              | 11. Shim                     |
| 2. O-Ring                      | 12. Gasket                   |
| 3. Oil Seal                    | 13. Rear Housing             |
| 4. Capscrew                    | 14. Yoke-1710 Half Round     |
| 5. Rear Bearing Cover Assembly | 15. Lifting Eye              |
| 6. Gasket                      | 16. Capscrew                 |
| 7. Capscrew                    | 17. Capscrew                 |
| 8. Capscrew                    | 18. Directional Speed Sensor |
| 9. Cover                       | 19. Plug                     |
| 10. Gasket                     | 20. Shield                   |

## Output Yoke Removal

1. Remove the two bolts that fasten the output Yoke to the output shaft.



2. Remove the Output Yoke from the Output Shaft. A maul or hammer may be required to apply force to the yoke for removal.



## Auxiliary Section Removal

1. Remove the 4 9/16" cap screws on the Range Cylinder Cover.



2. Remove the Range Cover Assembly



3. Remove the 4 1/2" cap screws retaining the Splitter Cylinder Cover.



4. Remove the Splitter cylinder cover



5. Remove both Auxiliary Counter Shaft Bearing Covers.

**Note:** It is helpful to mark the covers to indicate which position they are in as they will need to be reinstalled in the same location.



6. Install Auxiliary Counter Shaft Support straps using 3 of the 4 bolts from the Auxiliary Counter Shaft Bearing covers. Use the longer bolts to secure the center of each strap as this will ensure the Auxiliary Counter-shafts will remain in time.



8. Using a pry bar to assist, separate the Auxiliary Section from the transmission main case enough to fit the auxiliary section hanger (RR1006TR) into place.

**Note:** It may be necessary to drive the dowel pins forward to help dislodge the Auxiliary Section.



7. Remove the 19 bolts that fasten the Auxiliary Section to the Transmission Main Case.





9. Using an overhead crane or hoist, remove the Auxiliary Section with the auxiliary section hanger.



## Auxiliary Section Disassembly

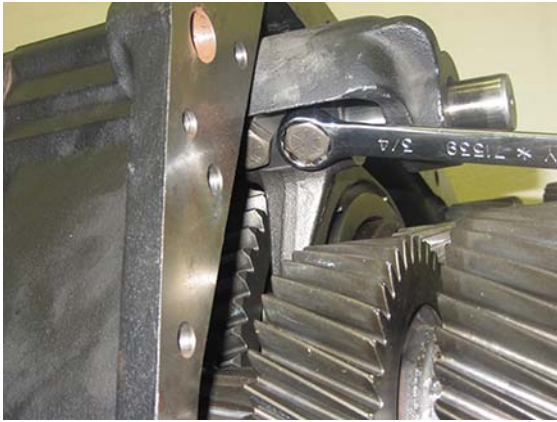
1. Too ease in the disassembly of the Auxiliary Section. Place in a vise.



2. Remove the 15/16" nut that fastens the Range Cylinder Assembly to the range shift Yoke bar.



3. Remove the two 3/4" cap screws that secure the Range Yoke Bar to the Range Yoke Fork.



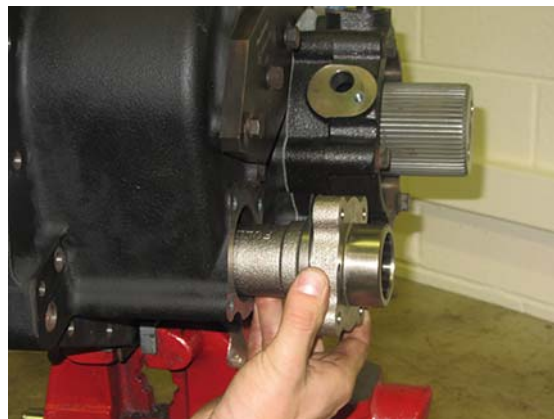
4. Using a soft maul, drive the Range Yoke Bar towards the rear of the auxiliary case. Remove the piston once relieved from cylinder bore.



5. Remove the Range Cylinder assembly.



8. Remove the Splitter Cylinder Assembly

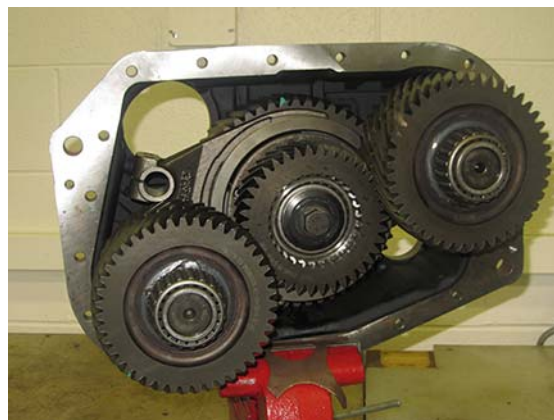


6. Remove the 3/4" Lock Nut on the Splitter Yoke Bar.



9. Prepare the Auxiliary Section to remove the Auxiliary Counter Shafts. For ease of disassembly, mount the Auxiliary Section upright in a vise.

**Caution:** As the counter shaft straps are remove, the Counter Shaft can fall.

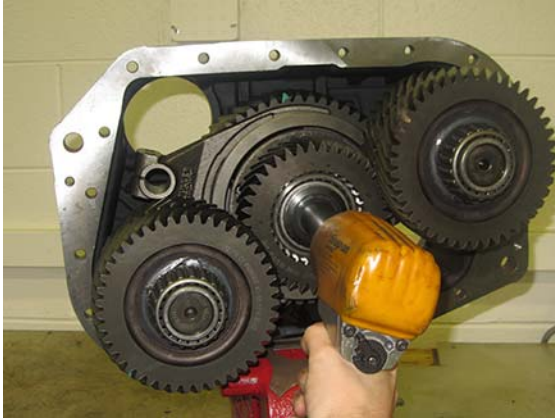


7. Remove the Splitter Sliding Clutch and Splitter Yoke bar and fork.

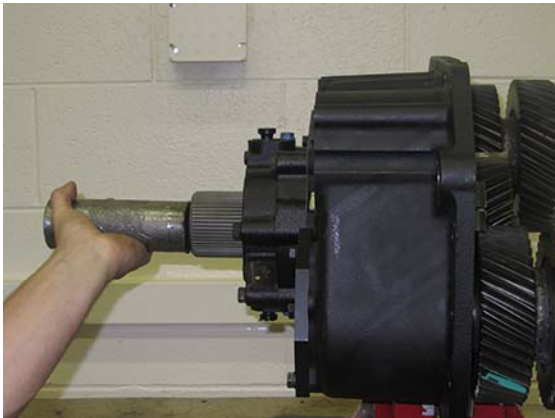


10. Loosen the 15/16" cap screw and retainer on the Output Shaft. Do not remove the cap screw.

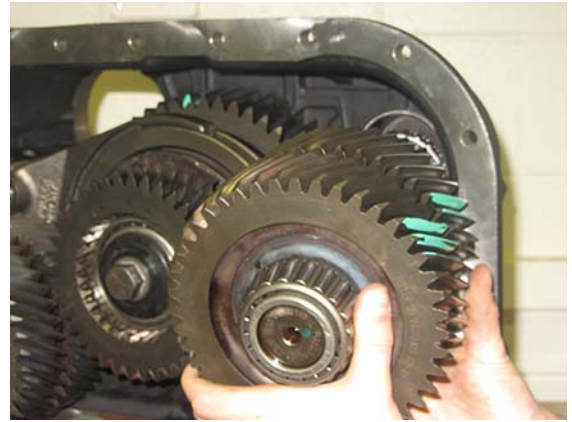
**Note:** To prevent the counter shafts from turning, place a shop rag or equivalent between the splitter gear and one counter shaft.



11. Using a soft bar and maul, drive the Output Shaft forward far enough to partially unseat the bearing.



12. Support the Auxiliary Countershaft and remove the strap from the rear of the Auxiliary Case Housing



13. Repeat process to remove 2nd Auxiliary Counter Shaft.



14. Remove the Auxiliary Counter Shaft Bearing Races from their bores.



15. If necessary, secure the Countershafts in a vise and remove both the front and rear bearings from the shafts with a bearing separator and jaw pullers.

16. Remove the 15/16" cap screw and retainer bolt that was loosened in step 9



17. Remove the splitter gear from the Output Shaft

**Note:** For disassembly and assembly of the Splitter Gear assembly, please refer to the "Splitter Gear Bearing Disassembly and Assembly – MHP, MXP, VHP, VXP" section



18. Remove the Range Synchronizer Assembly from the Output Shaft

**Note:** For disassembly and assembly of the Synchronizer, please refer to the “How to disassemble the Synchronizer Assembly” section.



19. Using a soft bar and maul, drive the Output Shaft forward and through the Rear Bearing Assembly.



20. Remove the six cap screws that fasten the Output Shaft bearing cover to the Auxiliary Section.



21. Remove the Output Shaft bearing cover.



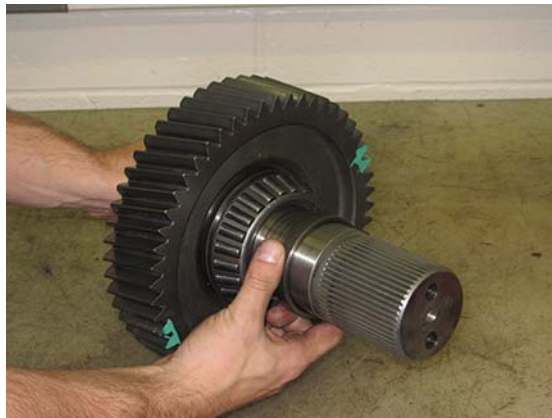
22. Inspect the Rear Bearing Cover oil seal for damage. Remove if damage is found.

23. Remove the rear portion of the tapered bearing which should be free sitting in the race in the case. Also remove the one piece race from it's bore.



## Auxiliary Mainshaft Disassembly

1. Remove the bearing inner spacer from the Output Shaft



2. Using the Auxiliary Mainshaft Assembly Gear front as a base, press the Output Shaft through the bearing and gear.

**Note:** If reusing the bearing set, the tapered roller bearings are specific to each side of the race.



3. Remove the splined spacer and stepped washer from the Auxiliary Reduction Gear





## MHP/MXP/VHP/VXP Range Cylinder Disassembly and Assembly

### Special Instructions

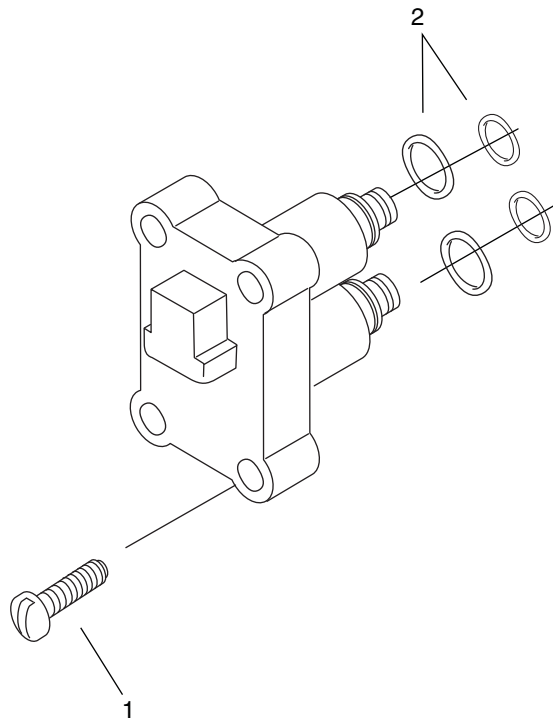
On 9-series UltraShift PLUS transmissions the Auxiliary section requires R&R prior to Range Cylinder removal. Damage to internal components will result if Auxiliary Section is not properly removed prior to Cylinder removal.

During installation, apply Eaton® Lubricant or equivalent to Shift Cylinder Assembly and insert valve O-Rings so a film covers the entire surface of each O-Ring.

### Special Tools

Typical Service Tools

### Component Identification



1. Hex Flange Head Screw
2. O-Rings

## Range Cylinder Disassembly

1. On the Range Cylinder Cover, remove cap screws, cover, and gasket



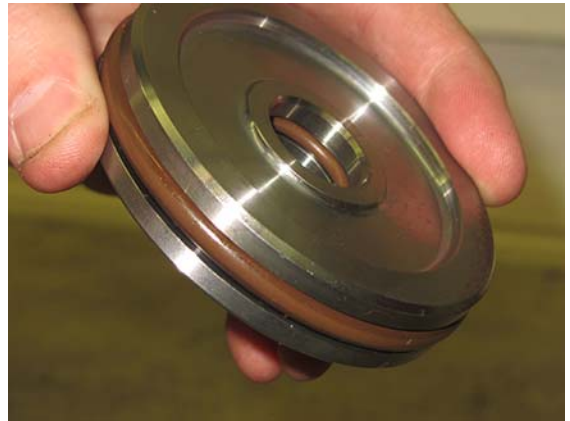
2. Remove the 15/16" nut that secures the range yoke.



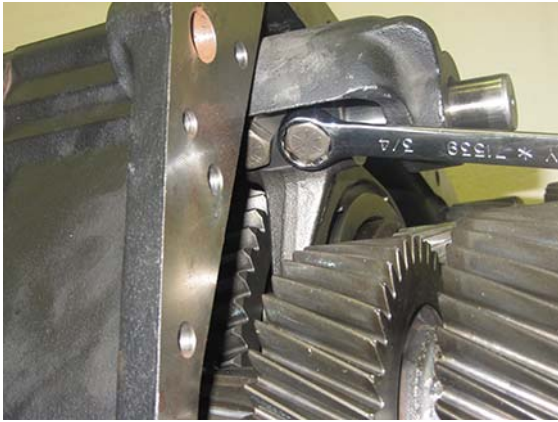
3. Remove the Range Piston from the cylinder bore



4. Inspect the Range Piston O-Rings for damage. Remove and replace if damage is present.



5. Remove the 2 cap screws that secure the Range Yoke Bar to the Range Yoke.



8. Inspect the O-ring inside the Range Cylinder Housing, remove and replace if damaged.



6. Remove the Range Yoke Bar.



7. Remove the Range cylinder housing

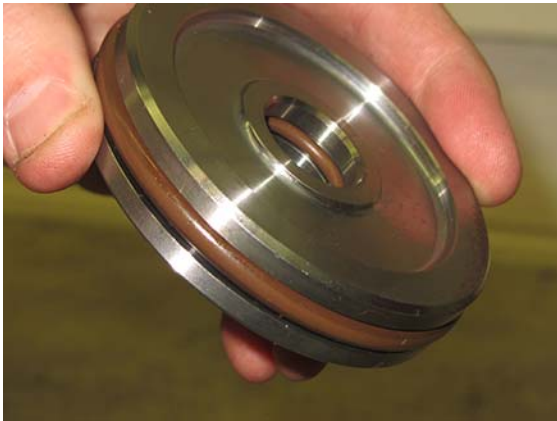


## Range Cylinder Assembly

1. Install the small O-Ring in the cylinder housing bore

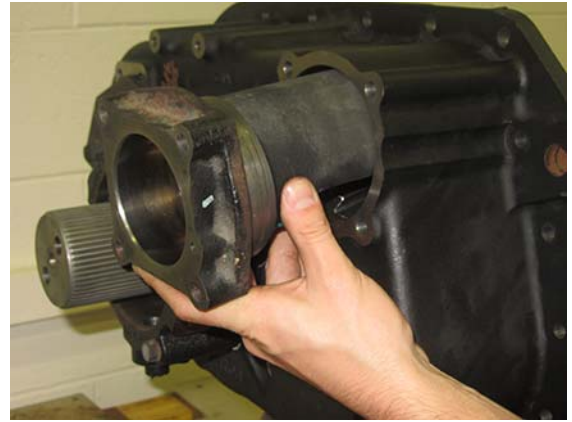


2. Install the piston O-rings on the piston I.D. and O.D.



3. Install a new gasket on the Range Cylinder Housing Mounting Surface

4. Install the Cylinder housing into the Auxiliary Case Housing.



5. Install Range Yoke Bar from the rear of the Auxiliary case.

**Note:** Ensure that the Yoke Bar passes through the eye of the Yoke fork.



6. Align the 2 grooves on the Yoke Bar and install the 2 retaining bolts through the bores on the Range Yoke Fork.



7. Insert the piston, pushing it as far back as far as it will go.



8. Secure the piston with the retaining nut, torque to 70-85 lb-ft (94.91-115.24 N•m).



9. Install a new gasket on the Cylinder Housing Cover mounting surface. Install the Range cylinder cover



10. Apply Eaton Sealant #71205 or equivalent to the retaining cap screws and torque to 20-25 lb-ft (27.12-33.90 N•m)



---

## MHP/MXP/VHP/VXP Splitter Cylinder Disassembly and Assembly

### Special Instructions

During removal on 9-series UltraShift PLUS transmissions the Auxiliary section requires R&R prior to Splitter Cylinder removal. Damage to internal components will result if Auxiliary Section is not properly removed prior to Cylinder removal.

During removal if replacing only the O-Rings in the Splitter Cylinder, Auxiliary Section removal is not necessary

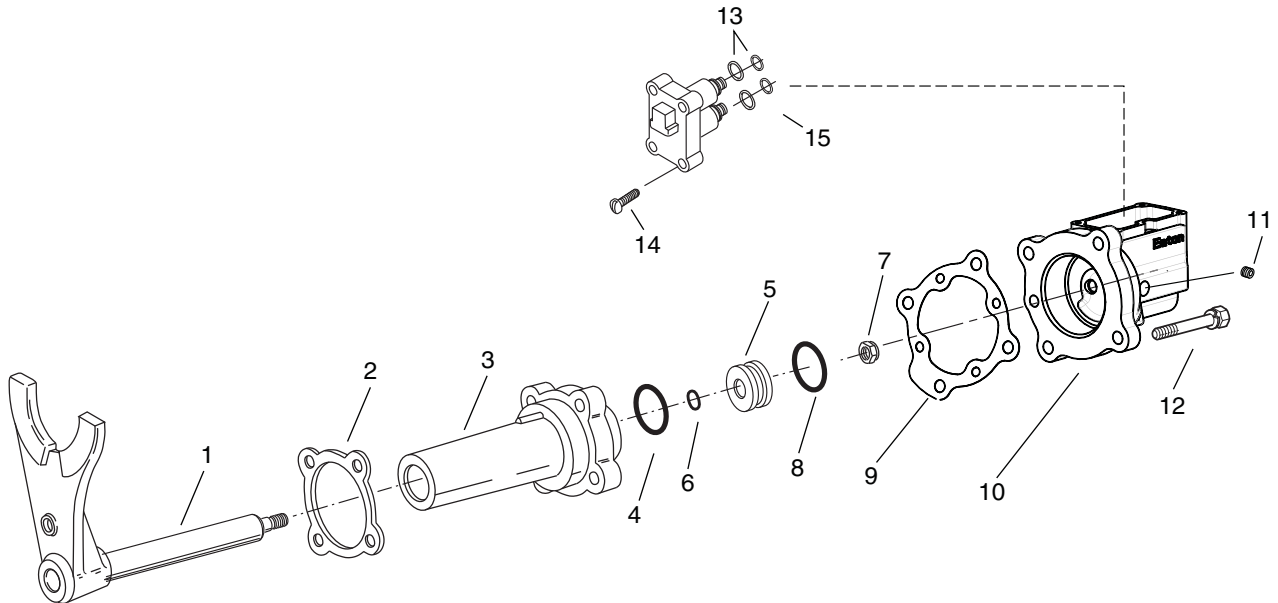
During installation apply Eaton® Lubricant or equivalent to Shift Cylinder Assembly and insert valve O-Rings so a film covers the entire surface of each O-Ring.

During installation apply Eaton® rust preventative #71213 or equivalent to all Shift Cylinder walls and Yoke Bars, cover the entire Yoke Bar surface that comes in contact with the Shift Cylinder O-Ring.

### Special Tools

- Typical Service Tools
- Vise with brass jaws or wood blocks

### Component Identification



- 1. Splitter Yoke Assembly
- 2. Gasket
- 3. Splitter Cylinder
- 4. O-Ring
- 5. Piston
- 6. O-Ring
- 7. Nut
- 8. O-Ring
- 9. Gasket
- 10. Splitter Cylinder Cover
- 11. Pipe Plug

- 12. Capscrew
- 13. O-Ring
- 14. Hex Flange Head Screw
- 15. Solenoid Valve



## Splitter Cylinder Removal

1. Ensure transmission is drained of oil.
2. Remove retaining cap screws from the Splitter Cylinder Cover



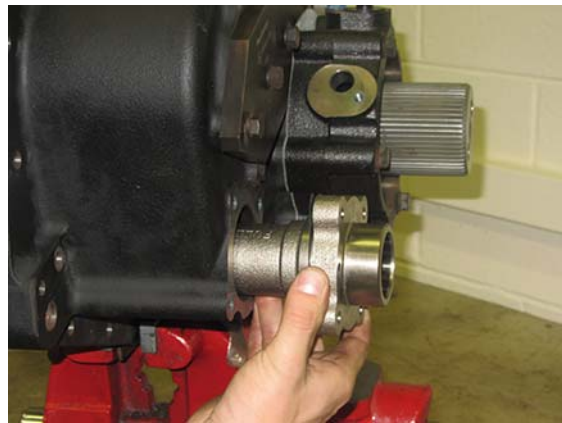
3. Remove cover and gasket



4. Remove 3/4" nut on the Splitter Yoke Bar.

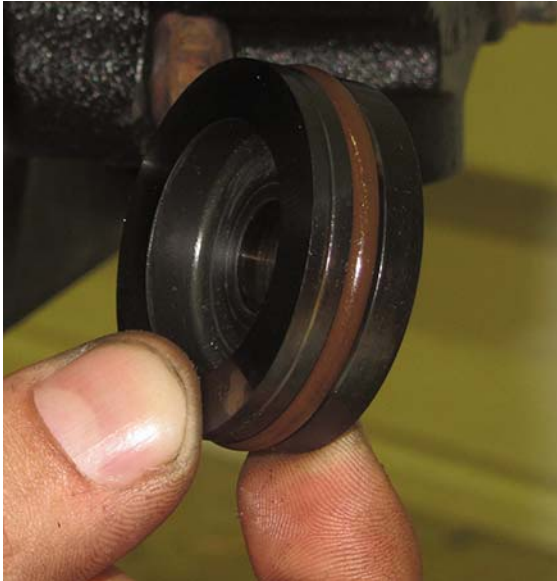


5. Remove the Splitter Cylinder Housing from the rear of the Auxiliary Case Housing



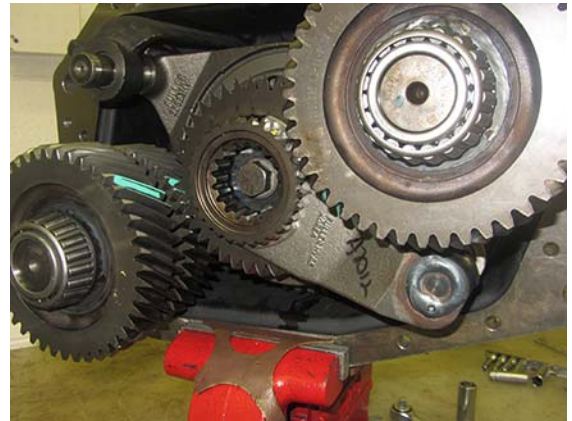
6. Remove the Piston from the bore of the Splitter Cylinder.

**Note:** If spool valve needs to be replaced, it must be done as an entire unit which is part of splitter cover

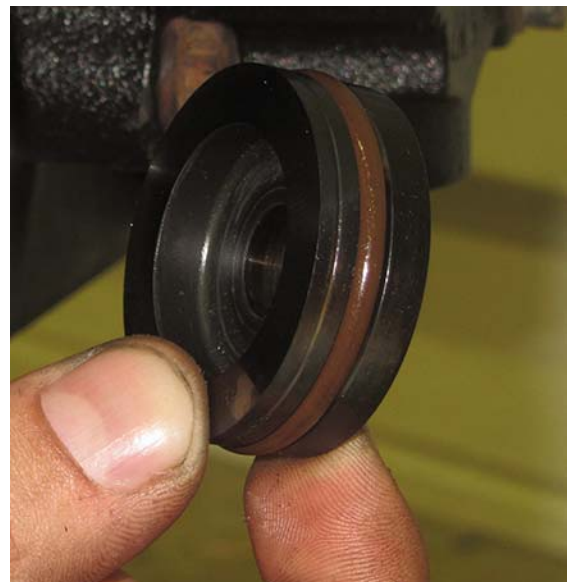


## Splitter Cylinder Assembly

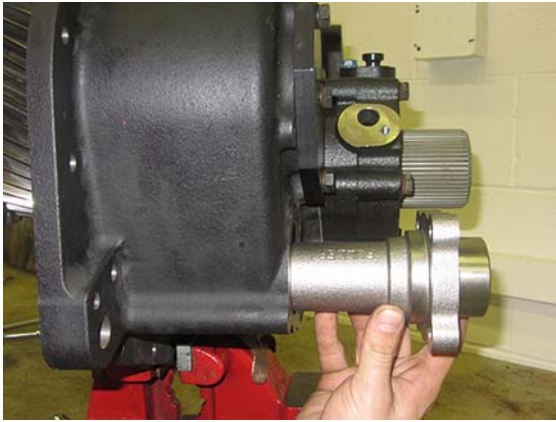
1. Install the Splitter Sliding Clutch on the Splitter Yoke Fork and engage into the Splitter Gear to maintain position.



2. Install small O-ring in the Cylinder Housing Bore if previously removed.
3. On the Piston O.D., install the Piston O-ring if previously removed.



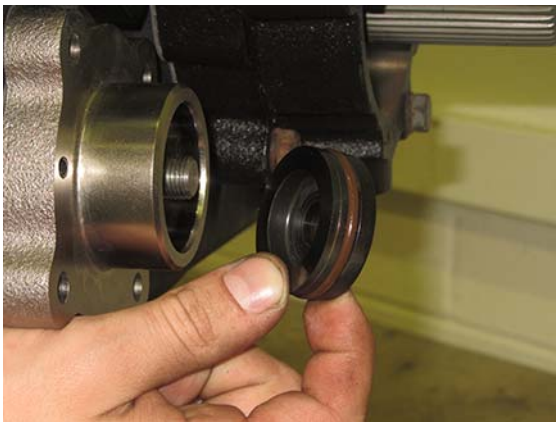
4. Position new gasket on the Cylinder Housing, and install the Splitter Cylinder



7. Install the piston into the Splitter Cylinder with the recessed side facing the rear of the transmission.



5. Install O-Ring on the end of the yoke bar inside of the Cylinder Housing
6. Install new O-rings on the ID and OD of the piston, then lubricate with silicone.



8. Secure piston with the 3/4 lock nut. Torque to 30-36 lb-ft (41-49N•m).

9. Position new gasket on the Cylinder Housing Cover mounting surface and install the Splitter Cylinder Cover

**Note:** Ensure that the gasket air passage aligns with the housing air passage



10. Apply Eaton Sealant #71205 or equivalent to the retaining cap screws, and install on the cover. Torque to 20-25 lb-ft.



---

## MHP/MXP/VHP/VXP Splitter Gear Bearing Disassembly and Assembly

### Special Instructions

Make sure to use proper drivers for the bearing and sleeve.

### Special Tools

3.30" Diameter Bearing Driver

### Component Identification

*None*

## Splitter Gear Bearing Disassembly

1. Remove the internal coiled snap ring.



2. Remove the Tapered Bearing Pack Assembly using bearing driver RR1012TR-4.



3. Separate the Bearing Pack Assembly.



## Splitter Gear Bearing Assembly

1. Install the Front Bearing Race



2. Install the bearing spacer



3. Install Bearing assembly



4. Install the Rear Bearing Race.



5. Drive the bearing into place using the bearing driver, RR1012TR-4



6. Install the internal snap ring.





## MHP/MXP/VHP/VXP Auxiliary Section Assembly and Installation

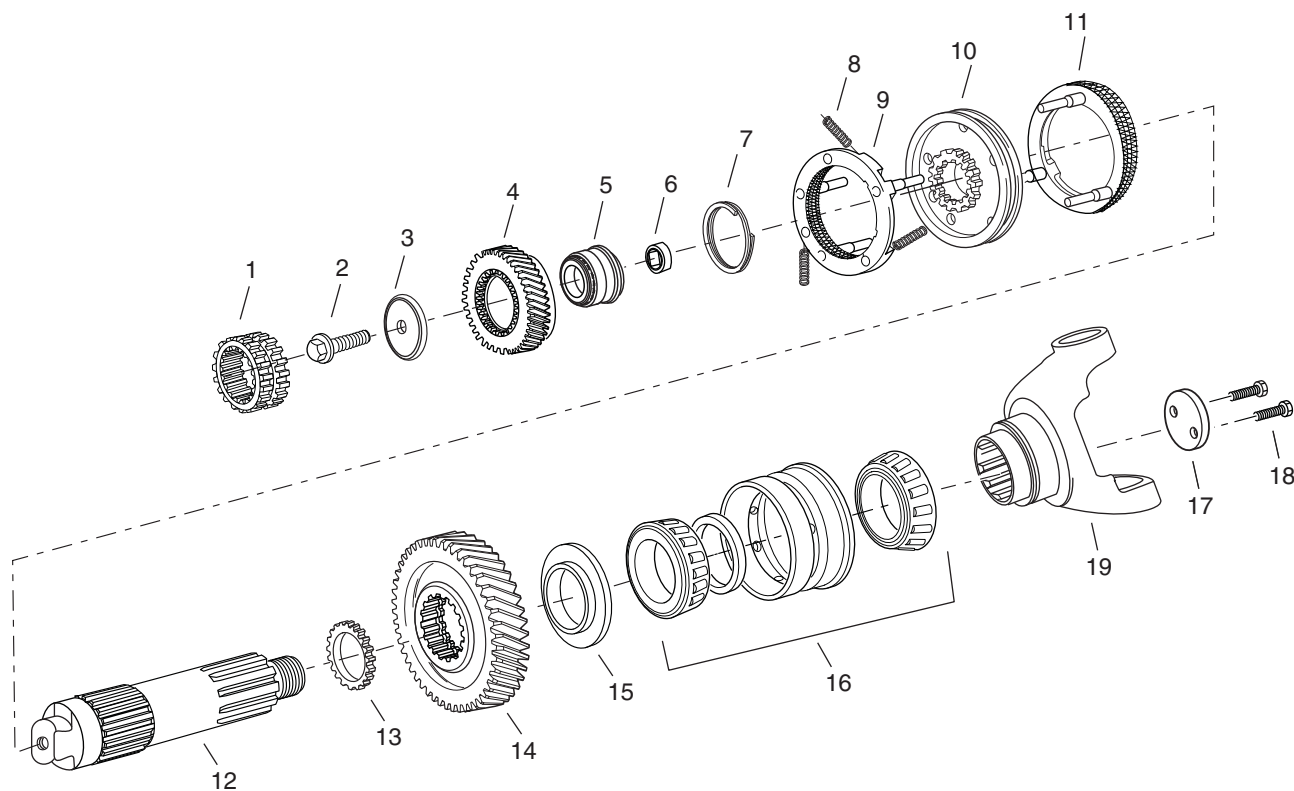
### Special Instructions

None

### Special Tools

- Bearing Drivers
- Maul
- PVC Pipe
- RR1002TR Auxiliary Countershaft Support Straps

### Component Identification



1. Sliding Clutch

2. Screw

3. Retainer

4. Splitter Gear

5. Tapered Roller Bearing

6. Bearing Sleeve

7. Snap Ring

8. Spring

9. Synchronizer Assembly

10. Sliding Clutch

11. Synchronizer Assembly

12. Mainshaft

13. Washer

14. Reduction Gear

15. Spacer

16. Tapered Roller Bearing

17. Output Yoke

18. Hex Flange Screw

19. Universal Joint Yoke

## Auxiliary Mainshaft Assembly

1. Prepare the Reduction Gear for timing. Mark any one tooth on the gear and repeat on the tooth directly opposite of the first marked.



2. With the splined washer facing up, place the washer on the Output Shaft shoulder



3. Position the Reduction Gear on the Output Shaft with the clutching teeth facing down. Engage the washer splines to fully position the gear.



4. Position the Reduction Gear Rear Washer on the Output Shaft with the chamfer side up against the Reduction Gear.



5. With the tapered side up, use heat, or a small punch to install the Output Shaft Rear Bearing.

**Note:** A Bearing Driver can also be used to seat the bearing, however if using a bearing driver, install the Bearing inner spacer prior to driving to avoid getting the driver stuck on the shaft.



6. Install the Bearing Inner Spacer on the Output Shaft. Set aside once installed.



## Synchronizer Assembly and Splitter Gear Installation

1. Lay the Auxiliary Mainshaft Assembly on its side.
2. Install the Synchronizer Assembly on the Auxiliary Mainshaft Assembly.

**Note:** Apply light coating of transmission lubricant to the surface of the synchronizer assembly.

**Note:** For Synchronizer Assembly/Disassembly, see the section, Synchronizer Disassembly and Assembly in this manual.



3. Prepare the Splitter gear for timing. Mark any tooth splitter gear and repeat on the tooth directly opposite of the first marked.



#### 4. Install the Splitter Gear on the Output Shaft

**Note:** For Splitter Gear Disassembly and Assembly, see the section: Splitter Gear Bearing Disassembly & Assembly, in this manual.



#### 5. Install the Splitter Gear retainer and 15/16" cap screw. Torque to 190-210 lb-ft (257.61-284.72 N•m).

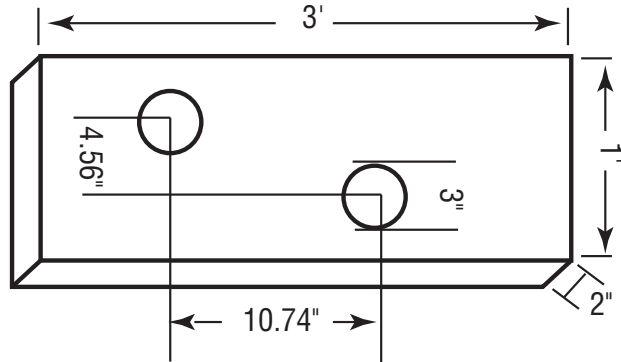
**Note:** Ensure proper torque is applied to the retainer bolt.



## MHP/MXP/VHP/VXP Auxiliary Countershaft Installation

### Special Instructions

To assist in the Auxiliary Section Assembly, an Auxiliary Section fixture can be made out of a 2" x 12' piece of wood.



This fixture is designed to ease the assembly of the Auxiliary gearing. Set the Auxiliary Countershaft Front bearings in the 3" holes to maintain the gearing positions when combining with the Auxiliary Mainshaft Assembly.

Set the Assembled Auxiliary Mainshaft between the Countershafts with the timing marks on all 3 sets of gearing aligned.

### Component Identification

None

### Special Tools

- RR1002TR Auxiliary Countershaft Support Straps
- Bearing drivers
- Maul

## Auxiliary Countershaft Installation

1. Place the Countershaft Assembly vertical on a clean flat surface. If the countershaft bearings were removed, use the proper bearing driver and maul to reinstall the Countershaft Bearings.
2. Mark each Countershaft for correct timing. On each countershaft there is a "0" stamped on the countershaft. Mark the corresponding tooth with a highly visible paint pen. Also mark the Splitter Gear mating gears on each countershaft.



3. Place Countershafts in the fixture or on a flat surface. Turn the Countershafts until the two teeth marked on each shaft are towards the middle.



5. Install Range Yoke into the Synchronizer Sliding Slot.

**Note:** Ensure the Range Yoke offset side is facing down.



4. Align the Auxiliary Mainshaft Assembly so the timing marks on the Reduction Gear match up with the timing marks on the 2 Auxiliary Countershafts. Also, align the timing marks on the splitter gear to match time.



6. Lay the Auxiliary Case Housing front on a clean flat surface. Install the Bearing Race in the Bearing Bore.



7. Place the Auxiliary Housing over the Countershaft Assemblies and the Auxiliary Mainshaft Assembly.



9. Heat the Rear Auxiliary Mainshaft Bearing cone and install the bearing, tapered side down, on the shaft.



8. Ensure the rear Auxiliary Mainshaft bearing spacer is installed on the shaft.



10. Position a new gasket on the Rear Bearing Cover, and install the cover.





11. Apply Eaton Sealant #71205 or equivalent to the retaining cap screws, and install the six (6) cap screws in the non-chamfered holes. Torque to 35-45 lb-ft (47.45-61.01N•m).



13. Install each Auxiliary Countershaft Retaining Strap with 2- 3/8" NC x 1" NC and 1 3/8" NC x 2-1/2" clean cap screws.

**Note:** Do not use an air gun on strap bolts. Tighten by hand until cap screws are snug



12. Install the Auxiliary Countershaft Bearing Races.



## Range Cylinder and Piston Installation

1. To assist in the installation of the Range Cylinder, place the Auxiliary section in a vice.
2. Position a new gasket on the range Cylinder Mounting Surface of the Auxiliary Case.
3. Install the Range Cylinder through the Range Cylinder Bore on the Auxiliary Case housing. Position the Range Yoke Fork inside the open section of the cylinder.

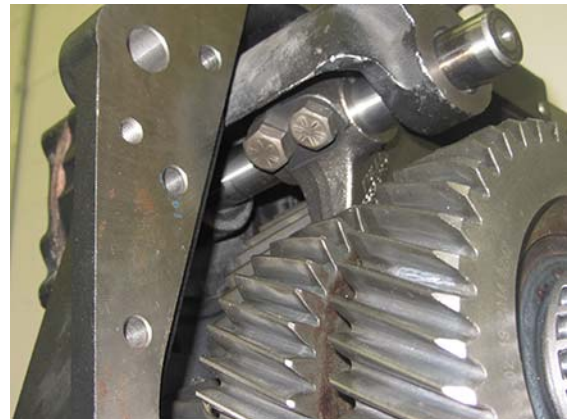


4. Install Range Yoke Bar from the rear of the Auxiliary case.

**Note:** Ensure that the Yoke Bar passes through the eye of the Yoke fork.



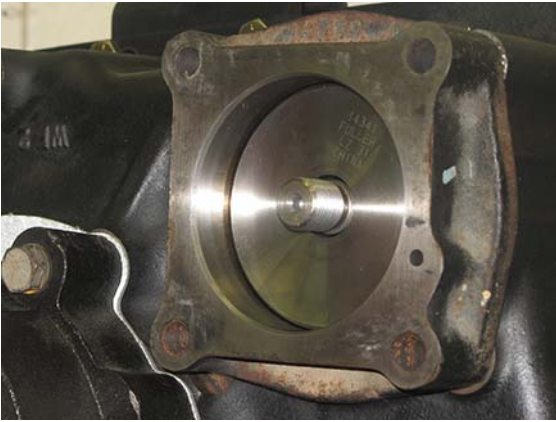
5. Align the 2 grooves on the Yoke Bar and install the 2 retaining bolts through the bores on the Range Yoke Fork.



6. Install new O-rings on the ID and OD of the piston, then lubricate with silicone.



7. Install Piston into the bore of the Range Cylinder Install with the flat side of the piston facing rearward.

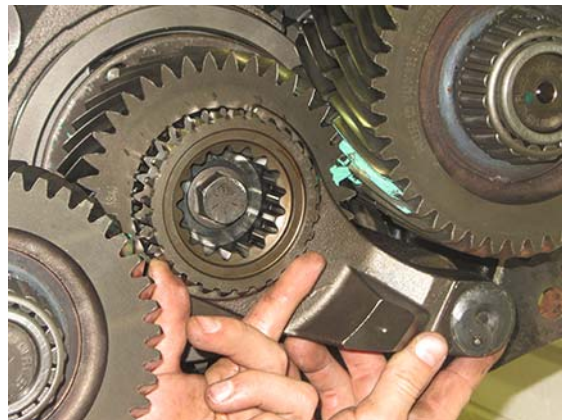


8. Secure the piston with the retaining nut, torque to 70-85 lb-ft (94.91-115.24 N•m).



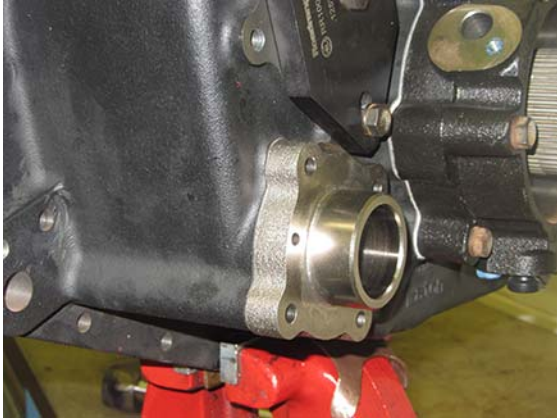
## Splitter Cylinder Installation

1. With the Auxiliary Section still in the vice. Position the Splitter Sliding Clutch on the Splitter Yoke fork and bar. Engage into the Splitter Gear to maintain its position



2. Install small O-ring in the Cylinder Housing Bore if previously removed

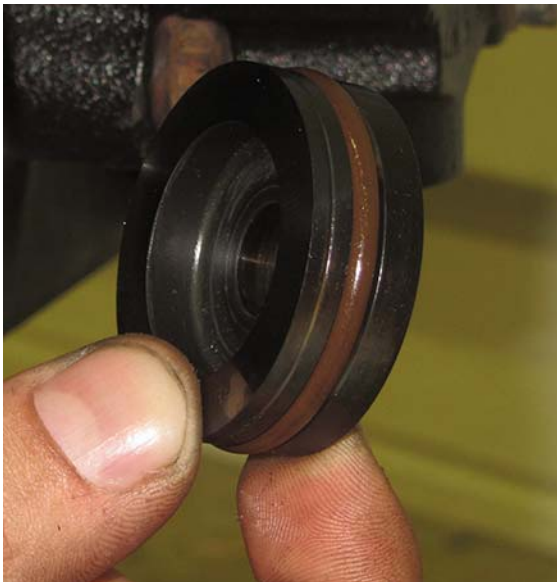
3. Position a new gasket between the Splitter Cylinder and the Auxiliary Case Housing bore. Install the Splitter Cylinder.



6. Install the piston into the Splitter Cylinder with the recessed side facing the rear of the transmission.



4. Install new O-rings on the ID and OD of the piston. Lubricate with silicone.



7. Secure piston with the 3/4 lock nut. Torque to 30-36 lb-ft (41-49N•m).



5. Install new O-ring on the end of the yoke bar inside of the cylinder housing.

## Auxiliary Section Installation

1. Attach the Auxiliary Section lifting bracket to the top of the Auxiliary Case.



2. Position a new Auxiliary Case Gasket on the mounting surface of the Main Case.



4. Apply Eaton Sealant #71205 or equivalent to the 19 retaining cap screws. Secure the Auxiliary Section to the main case. Torque to 35-45 lb-ft



## Auxiliary Countershaft Shimming and Installation

1. Remove the Auxiliary Countershaft support straps and install a 0.100" shim between the cover and Auxiliary Countershaft. Use two of the counter shaft bearing cover bolts and torque bolts to 7 lb-in. Spin the Output Shaft multiple times to assist in seating the bearing races. Ensure cap screws are still torqued at 7 lb-in.



2. Using feeler gages, measure the gap between the Auxiliary Countershaft covers and the Auxiliary Case. Use multiple positions closest to the cap screws.



3. Subtract the thickness of feeler gauges needed to fit in between the auxiliary case and auxiliary counter shaft covers from 0.100". Use that number to pick a shim that will allow for end-play of within 0.001"–0.005".

**Note:** Example: 0.042" of feeler gauges fit in between auxiliary case and the auxiliary Counter Shaft bearing cover. Subtract 0.042" from 0.100" which equals 0.058". A shim of 0.052"–0.055" would be required for the 0.003"–0.005" end-play. (If the required thickness shim does not exist, use the closest undersized shim.)

4. Install required shim into bearing bore. Install new Auxiliary Countershaft gaskets and install Auxiliary Countershaft Covers.



## Range and Splitter Cylinder Cover Installation

1. Position new gasket on the Range Cylinder Cover mounting surface.
2. Install Range Cylinder Cover. Torque cap screws to 30-35 lb-ft.



3. Position new gasket on the Splitter Cylinder Cover mounting surface.
4. Install Splitter Cylinder Cover. Torque cap screws to 30-35 lb-ft.



## Output Yoke Installation

1. Install the Output Yoke. Ensure yoke is properly seated against Output Shaft.



2. Secure the Output Yoke with the 2 retaining bolts. Torque to 84–92 lb-ft (113–124 N•m).





## Range Synchronizer Disassembly and Assembly

### Special Instructions

During disassembly, place the Synchronizer Assembly on a clean, flat surface. Cover the Synchronizer Assembly with a shop rag to prevent losing the

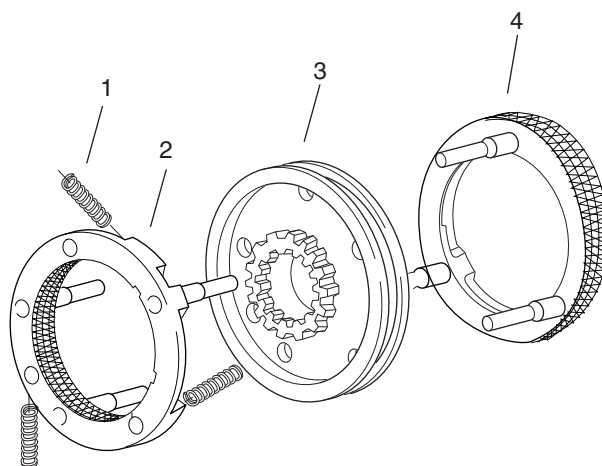
three (3) springs under pressure from the HI Range Synchronizer Pin locations.

Perform assembly on a clean flat surface slightly lower than your waist. Pins on the LO range synchronizer must line up with the chamfered holes on the sliding clutch bottom. When compressing the HI range synchronizer springs, cover with a shop rag. This will prevent the springs from leaving the area if compression is not achieved.

### Special Tools

Typical service tools

### Component Identification



1. Spring
2. Synchronizer Assembly
3. Sliding Clutch
4. Synchronizer Assembly

## Range Synchronizer Disassembly

1. Place the low range synchronizer on a bench with the larger ring facing down, (place a shop towel over the assembly to avoid losing any springs).



2. Grab both sides of the HI Range Synchronizer and pull.



3. Remove the sliding clutch from the pins of the synchronizer ring.



## Range Synchronizer Assembly

1. Install the Sliding Clutch on the blocker pins with the recessed side up.



2. Install the three springs into the bores of the HI range synchronizer ring.



3. Place the HI range synchronizer ring over the blocker pins of the LO range synchronizer, seating the springs against the pins.



4. Cover with shop rag, and apply downward pressure to the HI range synchronizer ring while twisting counter-clockwise to compress the springs and fully seat the ring on the blocker pins of the LO range Synchronizer.

**Note:** To prevent losing springs, it is helpful to cover the synchronizer with a shop rag as downward pressure is applied.



5. Install the synchronizer assembly on the splines of the auxiliary main shaft with the synchronizer seated against the range reduction gear.



# Input Shaft Removal and Installation

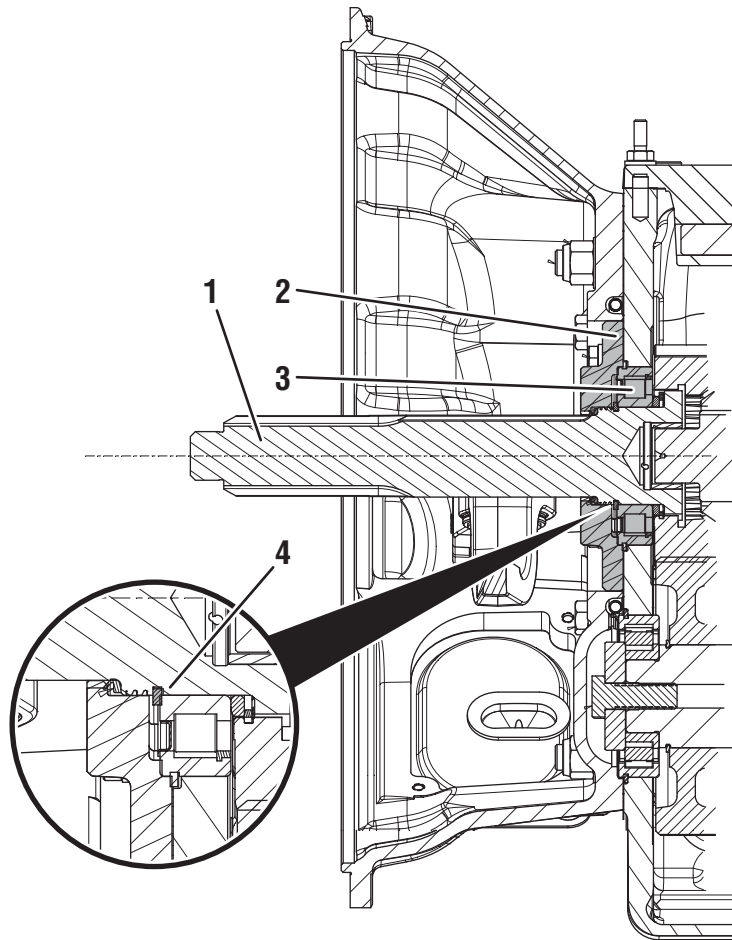
## Special Instructions

None

## Special Tools

- RR1023TR Input Shaft Bearing Puller
- RR1019TR Hand Maul
- RR1005TR Input Shaft Bearing Driver

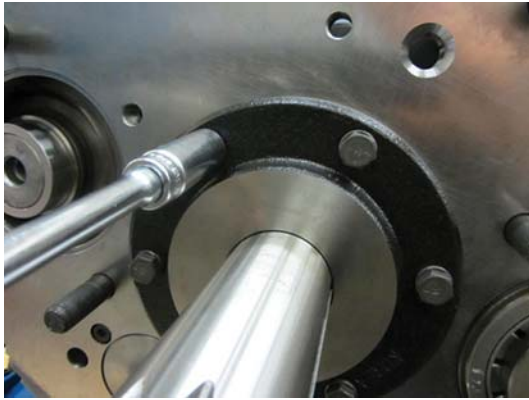
## Component Identification



1. Input Shaft
2. Bearing Cover
3. Input Bearing
4. Input Snap Ring

## Replacing Input Shaft without Disassembling the Main Case or Removing Clutch Housing

1. Remove the six cap screws fastening the Front Bearing Cover to the Transmission Main Case.



2. If present, remove and discard the rubber seal on the Input Shaft. This rubber seal is only used to seal the Transmission during shipment.
3. Remove the snap ring from the Input Shaft.

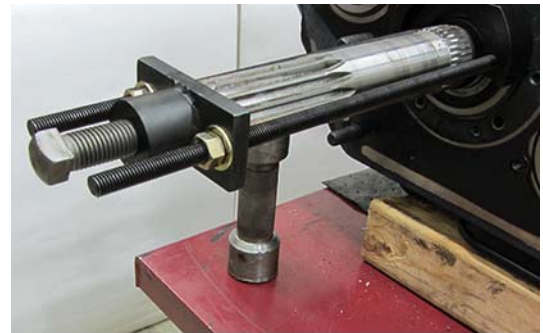


4. Using a soft maul drive the Input Shaft towards the rear of the Transmission Case as far as possible. Pull the Input Shaft forward.



5. Install the Input Shaft Bearing Remover and remove the bearing from the Transmission Main Case.

**Note:** A pry bar or screwdriver may also be used to remove the Input Shaft Bearing.



6. Remove the snap ring retaining the Input Shaft to the Main Drive Gear.



7. Remove the Input Shaft from the Main Drive Gear.
8. Inspect the Input Shaft Bushing, replace if damaged.

## Input Shaft Installation

1. If necessary, complete installation of the Input Shaft Bushing.
2. Install the Input Shaft into the Main Drive Gear splines.
3. Install the snap ring that retains the Input Shaft to the Main Drive Gear



4. Install the Input Shaft Bearing onto the Input Shaft.

**Note:** The external snap ring on the Input Shaft Bearing should face out.



- Using a Flanged-end Bearing Driver install the Input Shaft Bearing into the Transmission Main Case until the snap ring groove is fully visible.



- Install the Front Bearing Cover and gasket. Make sure the oil return and gasket line up with the oil return hole in the Main Case.



- Install the Input Shaft snap ring.



- Install the Front Bearing Cover and gasket; torque the six cap screws to 35–45 lb-ft.





## Clutch Housing Removal and Installation

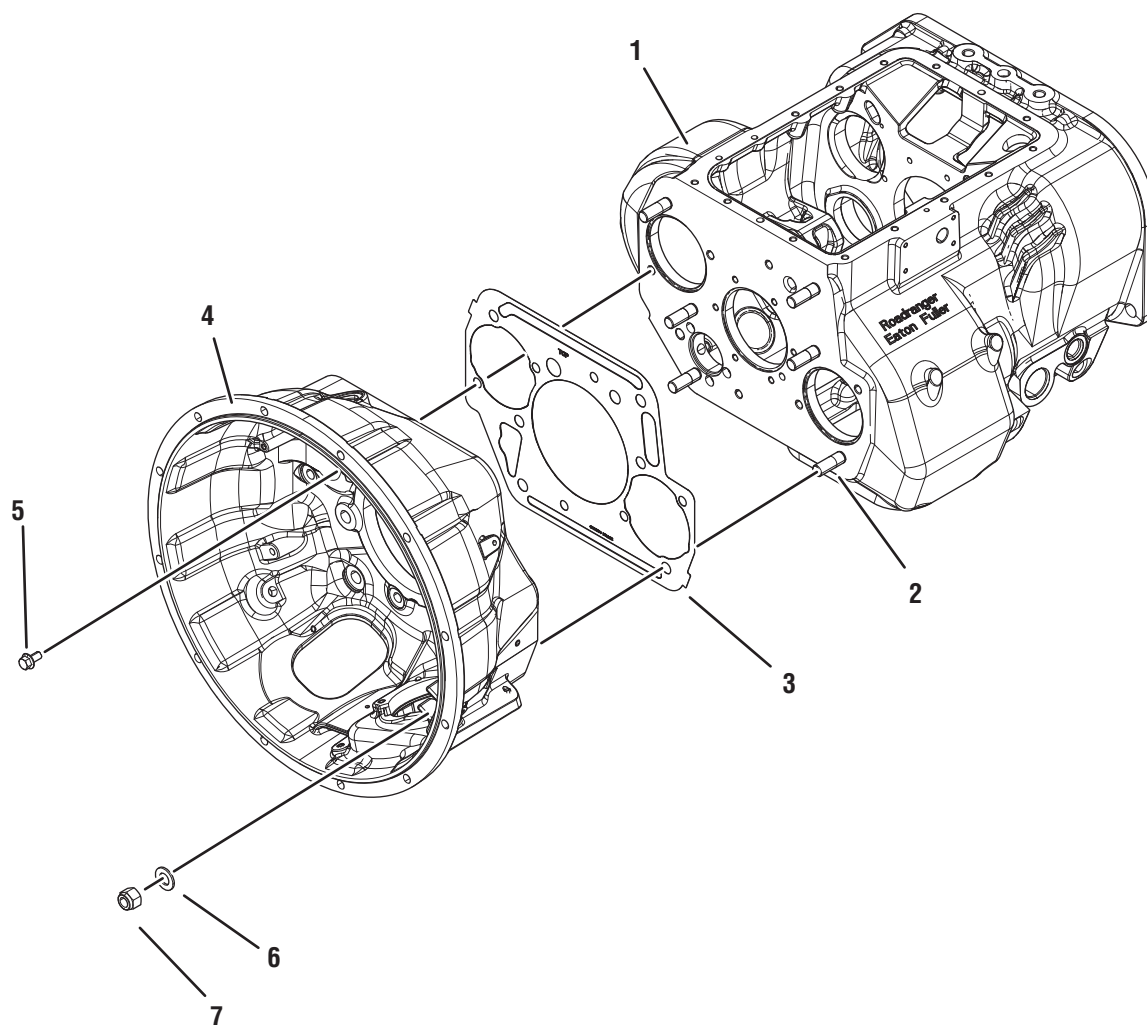
### Special Instructions

None

### Special Tools

None

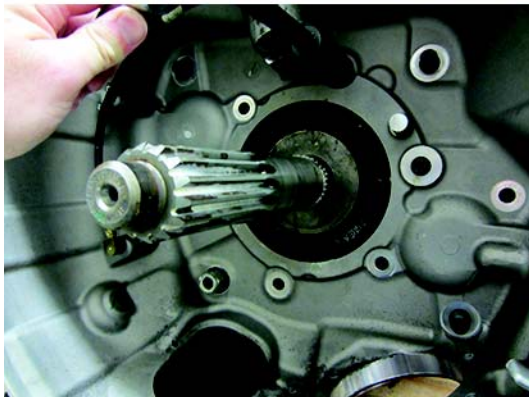
### Component Identification



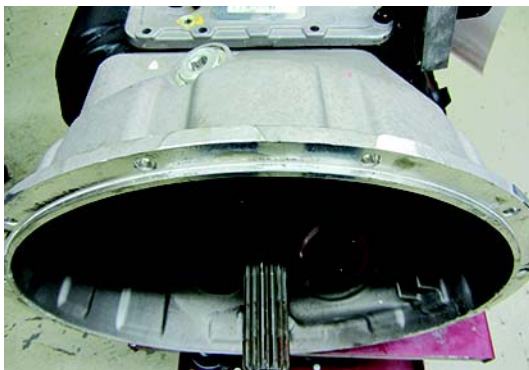
1. Main Case
2. Stud
3. Gasket
4. Clutch Housing
5. Cap Screws (x6)
6. Washers (x6)
7. Nuts (x6)

## Clutch Housing Removal

1. Remove the Clutch Release Mechanism and Low Capacity Inertia Brake.
2. Remove the 6 cap screws and 6 nuts and washers fastening the Clutch Housing to the Transmission Main Case.

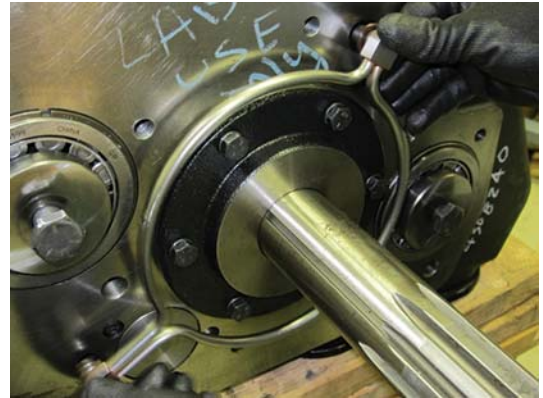


3. Remove the Clutch Housing from the Transmission Main Case.

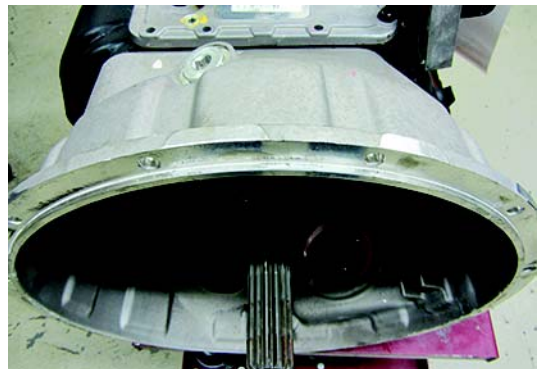


## Clutch Housing Installation

1. Make sure the Clutch Housing and Main Case surfaces are clean. Install a new Clutch Housing gasket on the Main Case side.
2. Install the Halo Tube assembly into the case.



3. Install the Clutch Housing.



4. Put the 6 nuts and washers on the mounting studs and install the bolts into place.
5. In a cross-pattern sequence, torque the nuts to 30 lb-ft, then rotate clockwise 100°. Torque the bolts to 30 lb-ft, then rotate clockwise 115°.

# Shift Bar Housing Removal and Installation

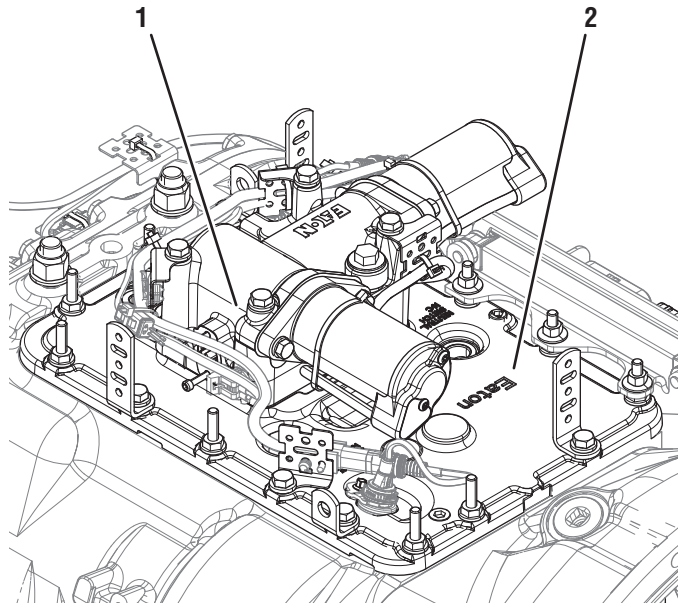
## Special Instructions

None

## Special Tools

- Gasket Sealant (Loctite 5810A RTV or 5188 anaerobic sealant)

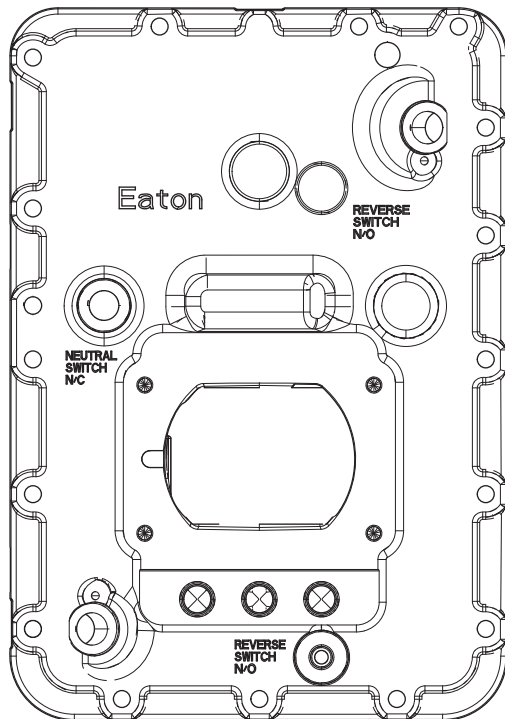
## Component Identification



1. X-Y Shifter
2. Shift Bar Housing

## Shift Bar Housing Removal

1. Remove the 16 cap screws and studs fastening the Shift Bar Housing to the Transmission Case. Remove the Shift Bar Housing.



## Shift Bar Housing Installation - Cast Iron

1. Ensure all Transmission Main Case Main Shaft Sliding Clutches are in their Neutral position.

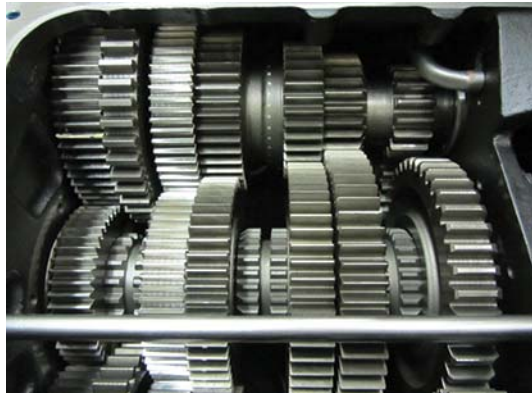


2. Ensure that the Main Case and Shift Bar Housing gasket surfaces are clean and free of debris.
3. Position a new Shift Bar Housing gasket on the surface of the main case.
4. Install the Shift Bar Housing onto the Transmission Main Case.
5. Install the 16 cap screws that fasten the Shift Bar Housing to the Transmission Main Case. Torque cap screws to 35–45 lb-ft.



## Shift Bar Housing Installation - Aluminum

1. Ensure all Transmission Main Case Main Shaft Sliding Clutches are in their Neutral position.



5. Install the 16 cap screws that fasten the Shift Bar Housing to the Transmission Main Case. Torque cap screws to 35–45 lb-ft.

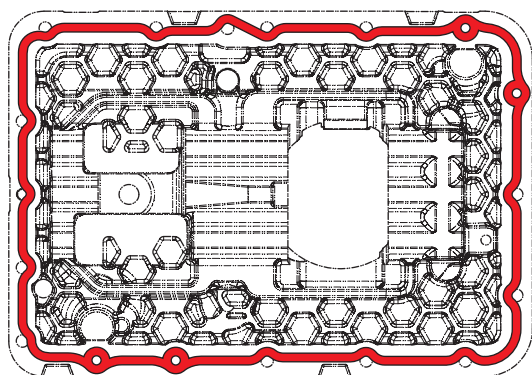


2. Ensure that the Main Case and Shift Bar Housing gasket surfaces are clean and free of debris.

**NOTICE:** Ensure there is nothing in the threaded bolt holes or the Main Case may be damaged when cap screws are tightened.

3. Apply gasket sealant with a bead width of 1/8" to the Shift Bar Housing sealing surface following the pattern below.

**Note:** Parts must be assembled within 30 minutes of applying sealant.



4. Install the Shift Bar Housing onto the Transmission Main Case.

## Shift Bar Housing Disassembly and Assembly

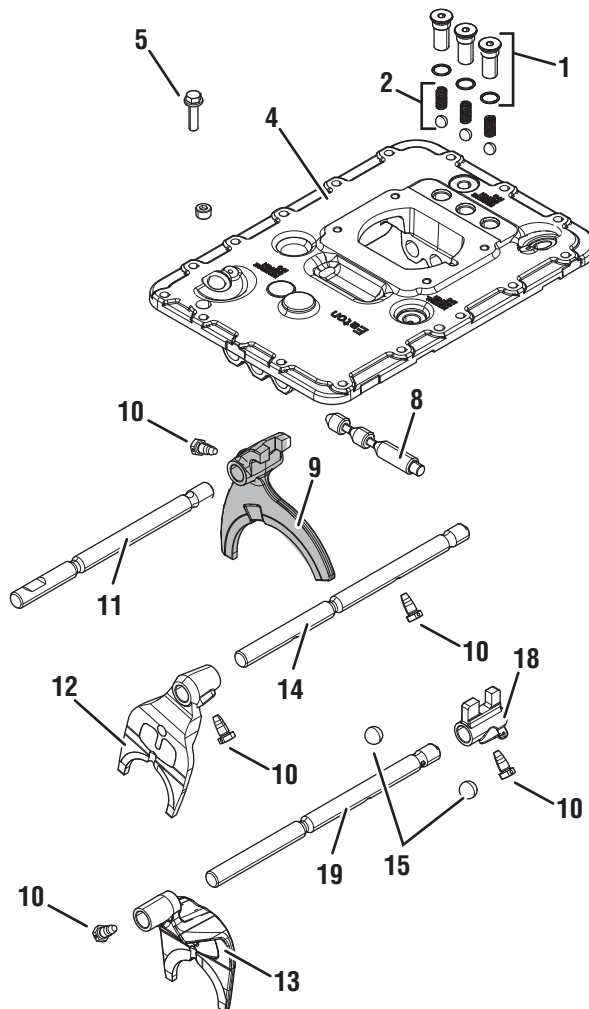
### Special Instructions

None

### Special Tools

None

### Component Identification



1. Detent Cap Assembly

2. Ball and Spring

3. Reverse Plunger (?)

4. Shift Bar Housing

5. Cap Screws (x16)

6. Actuator Assembly (?)

7. Neutral Switch Interlock (?)

8. Air Valve Shaft

9. Reverse / LO Shift Yoke\*

10. Lock Screws

11. Reverse / LO Shift Rail

12. Direct / Overdrive Shift Yoke

13. 1st / 2nd Shift Yoke

14. 1st / 2nd Shift Rail

15. Steel Balls (x2)

16. 1st / 2nd Shift Block (?)

17. Direct / Overdrive Shift Block (?)

18. Shift Block

19. Shift Rail

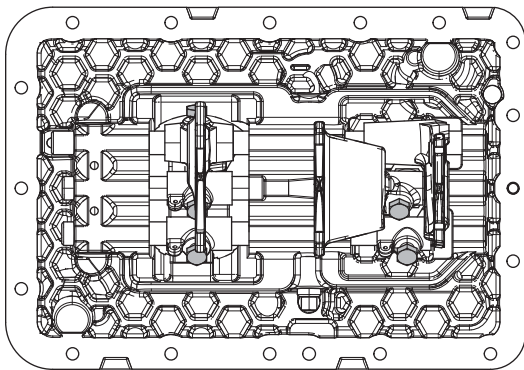
\*Due to design changes please verify the part number on the component to ensure proper part replacement.

## Shift Bar Housing Disassembly

1. Remove the three Detent Spring Caps from the Shift Bar Housing.



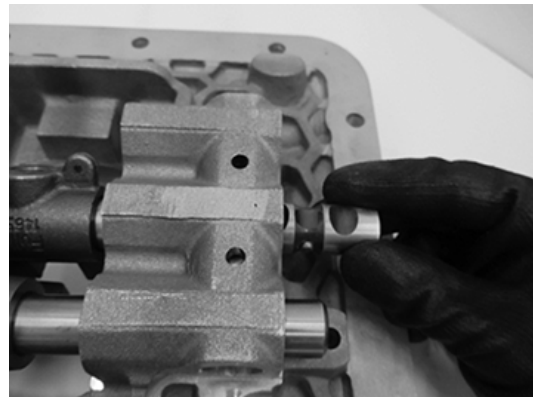
2. Tilt the Shift Bar Housing on its side to remove the springs and balls from the housing bores.
  3. Place the Shift Bar Housing assembly upside down on a flat workspace. (The front of the housing facing to the left.)
  4. Cut and remove the lock wire from the Shift Bar retaining cap screws.
- Note:** Start with the upper Shift Bar, move all bars to the right and out the rear boss bore.
5. Remove Shift Bar retaining cap screws



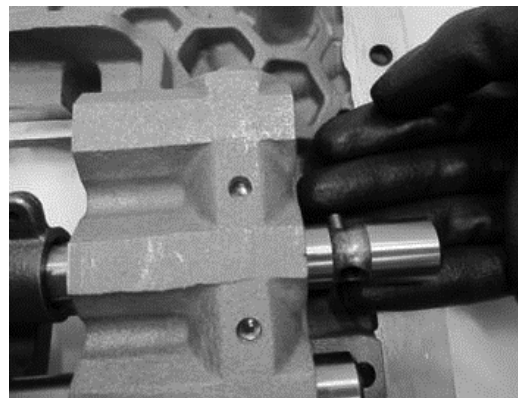
6. Move the 4th-5th Gear Shift Bar to the housing rear, removing the yoke and block from the bar.



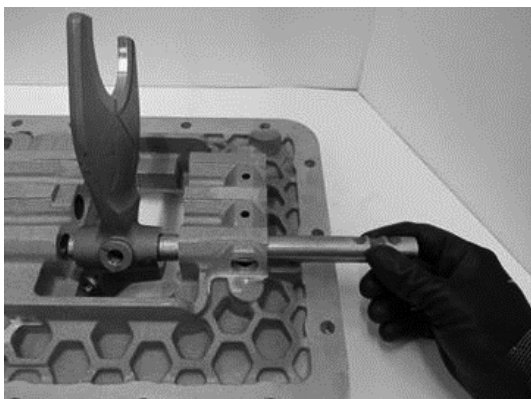
7. Move the 2nd-3rd Gear Shift Bar to the housing rear, removing the yoke and block from the bar.



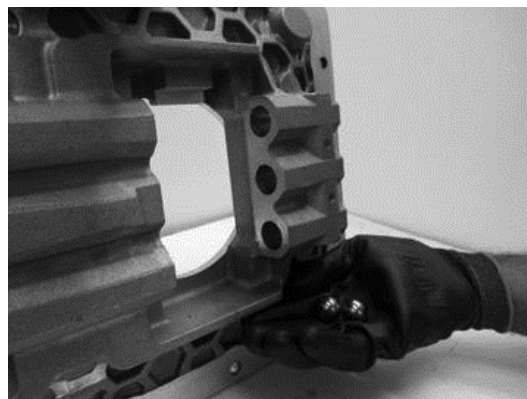
8. Remove the small interlock pin from the bore as the Neutral notch in the bar clears the rear boss bore.



9. Move the short 1st-Reverse Gear Shift Bar to the housing rear, removing the yoke from the bar.



11. Tilt the Shift Bar Housing on its side to remove the two 3/4" interlock balls from the housing bore.



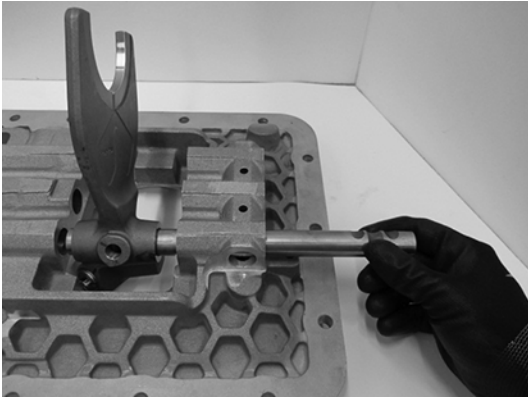
10. Remove the actuating plunger from the center boss bore.





## Shift Bar Housing Assembly

1. Place the Shift Bar Housing upside down on a work bench.
2. Install the bar in the first bore of the Shift Bar Housing.



5. Install one 3/4" interlock ball in the rear boss top bore. This ball rides between the 1st-Reverse and 2nd-3rd Gear Shift Bars.

**Note:** Coating the 3/4" interlock balls with grease will help keep them in place in the bores.



3. Install the yoke lock screw and wire securely.
 

**Note:** Brass covers must be used on vise teeth (if used) to avoid damaging the Shift Bar Housing gasket surface.
4. Install the actuating plunger in the center boss bore.



6. While holding the notched end of the bar, install the 2nd-3rd Gear Shift Bar in the housing boss middle bore. Position the shift block on the bar between the center and rear bosses.



7. Position the yoke on the bar between the front and center bosses, long hub to the housing front.



8. Just before inserting the notched end of the rear boss bar, install the small interlock pin vertically in the Neutral notch bore.



9. Install the block and yoke Sock screws, tighten and lock wire securely.

10. Install the second 3/4" interlock ball in the rear boss top bore. This ball rides between the 2nd-3rd and the 4th-5th Shift Bars.



11. Install the 4th-5th Gear Shift Bar in the housing boss upper bore.

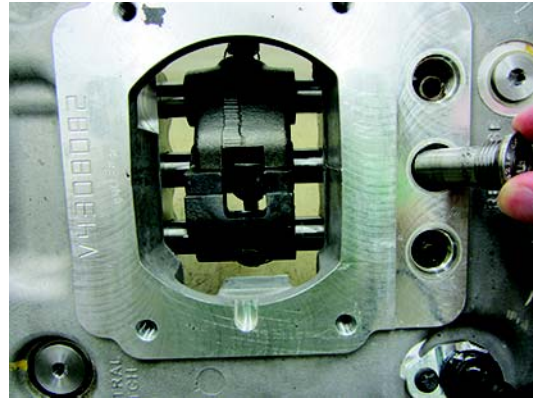


12. Position the shift block on the bar between the front and center bosses, long hub to the housing rear.

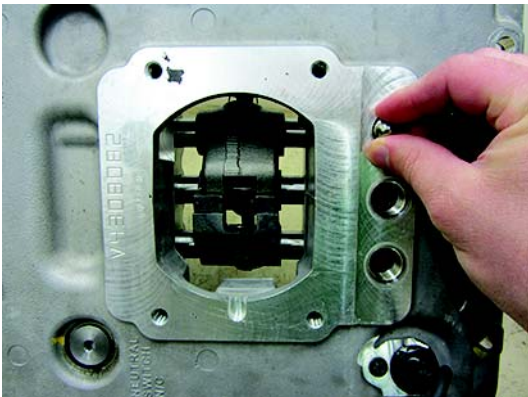
13. Install the block and yoke lock screws, tighten and lock wire securely.



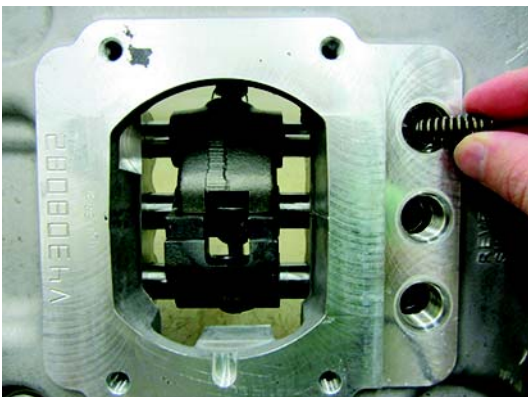
16. Install the Detent Spring Caps over the springs in each bore; thread in and torque 12–15 lb-ft.



14. After all lock screws and safety wire have been installed, flip the Shift Bar Housing over.



15. Install the three tension balls and springs into the bores on the top of the Shift Bar Housing.



## Main Case Disassembly and Lubrication Tube Removal

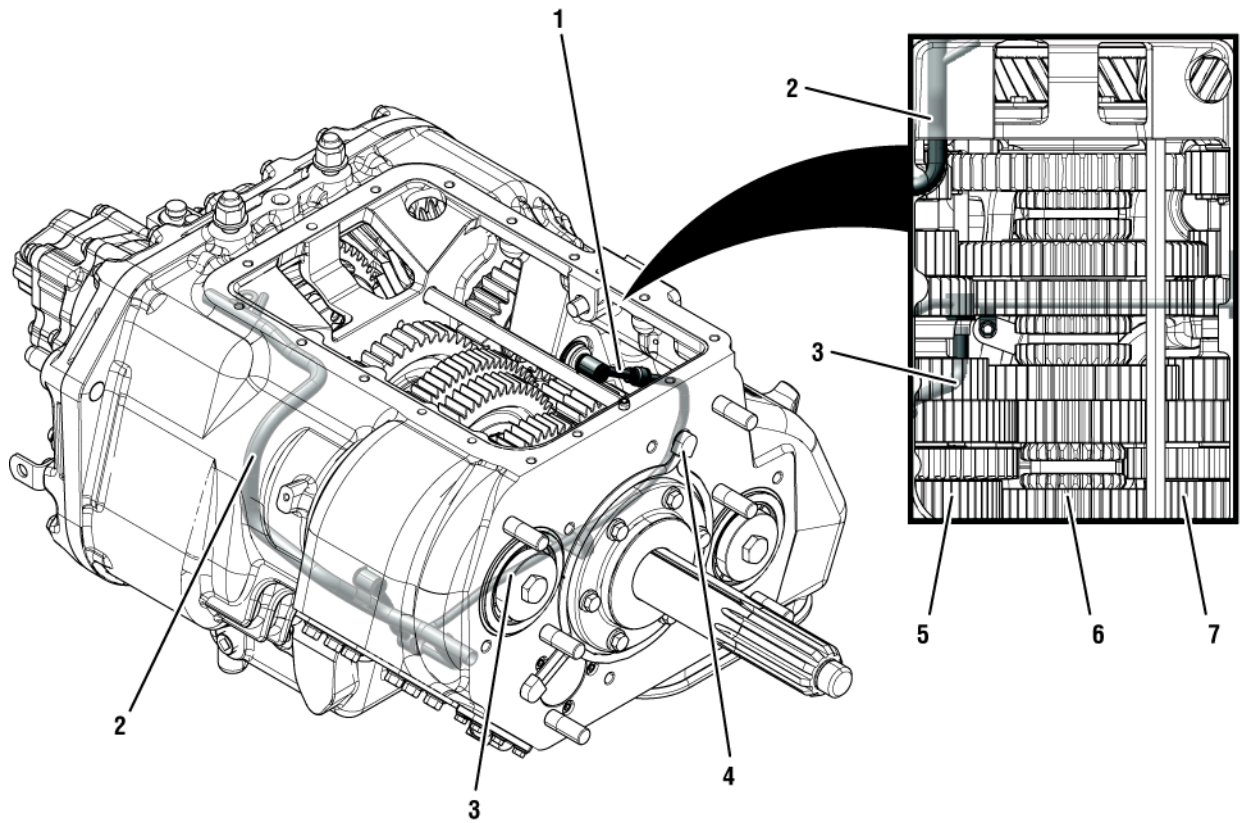
### Special Instructions

None

### Special Tools

None

### Component Identification



1. Upper Idler Lubricant Tube
2. Auxiliary Lubricant Tube
3. Idler Feed Lubricant Tube
4. Halo Lubricant Tube
5. Upper Counter Shaft
6. Main Shaft
7. Lower Counter Shaft

## Main Case Disassembly

1. Remove the six cap screws fastening the Input Shaft Bearing Cover to the Transmission Main Case.



2. Remove the Input Shaft snap ring from the Input Shaft.



3. Remove Holo Lubrication Tube

4. Remove the snap ring holding the Auxiliary Drive Gear to the Main Shaft, remove the Auxiliary Drive Gear.



5. Remove the six cap screws fastening the bearing retainer ring to the Main Case intermediate wall.



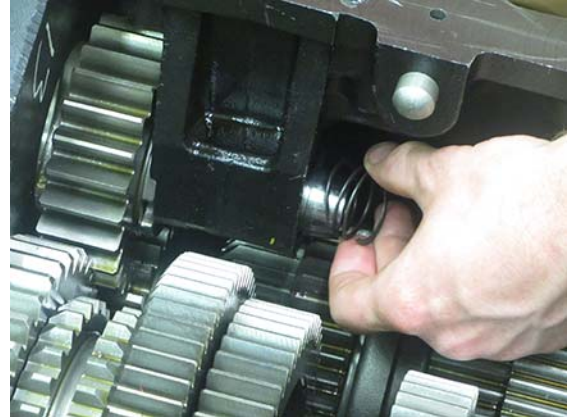
6. Using a pry bar, force the Main Shaft toward the rear of the case to aid in unseating the Main Shaft Bearing from the Transmission Main Case.



7. Use a rolling head pry bar (Crow's foot) to work the Main Shaft Bearing from the Main Case intermediate wall.



8. Remove the spiral lock from the front of the upper Reverse Idler using a small screwdriver to pry it from the groove.



9. Using a soft bar, drive the Reverse Idler Shaft out from its bore in the case.

**Note:** When driving the shaft out of position, the washers that are on either side of the Reverse Idler Gear will drop once the shaft is out.



10. Remove the snap ring from the upper Counter Shaft Rear Bearing.



11. Using a soft bar, drive the rear Counter Shaft Bearing out from the intermediate wall and off of the upper Counter Shaft.



12. Remove the front Counter Shaft Bearing bolt and retainer using a 15/16" socket.



13. Using the K-Line soft maul with hand guard, strike the case to the left of the front Counter Shaft Bearing to drive it out of the bore.



14. Using a Counter Shaft Hanger, position the upper Counter Shaft as far towards the case as possible and away from the Main Shaft.

**Note:** If no Counter Shaft Hanger is available, thread a 9/16" bolt into the Counter Shaft and use a wire to pull it away from the Main Shaft.



15. Slide the Reverse Gear as far to the rear of the case as possible. Using a flat head screw driver, remove the snap ring by working it out of the I.D. of the gear.

**Note:** When removing the snap ring, the tension of the snap ring can cause the ring to spring out.



16. Remove the Keyed Washer from back of the Reverse Gear

17. Move the Reverse Gear forward against 1st Gear, engaging the splines of the Main Shaft Sliding Clutch.



18. Push the upper Reverse Idler Gear towards the outside of the case (away from the Main Shaft).





19. Using the K-Line J-hook, position the hook underneath the middle Main Shaft Sliding Clutch (2nd–3rd Gear Sliding Clutch).



20. Keeping the Reverse Gear tucked against 1st Gear, move the Main Shaft as far towards the back of the case as possible. Lift the front of the Main Shaft out and swivel the Main Shaft out of the Main Case.

**Note:** Use caution when lifting the Main Shaft from the Main Case as the Reverse Gear can move freely. If low force gearing is present, the 1st/Rev hub as well as the Reverse gear will move freely.



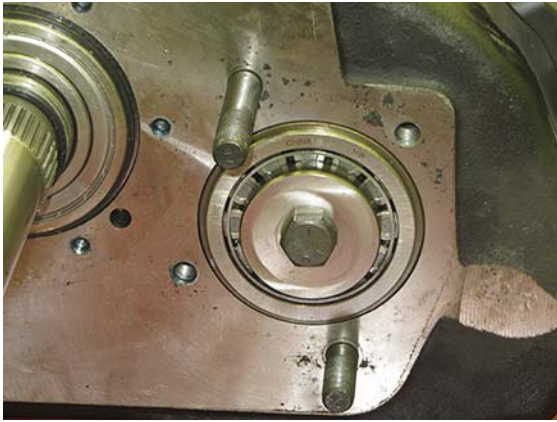
21. Remove the snap ring from the rear lower Counter Shaft Bearing.



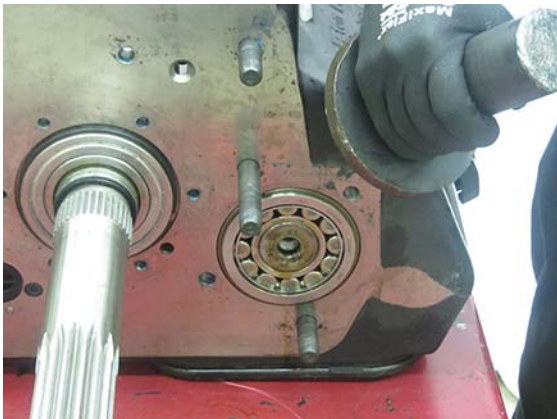
22. Drive the rear lower Counter Shaft Bearing from the bore using a soft bar and hand maul.



23. Using a 15/16" socket, remove the retaining bolt of the lower Counter Shaft Front Bearing.



24. Using a soft maul with hand guard, strike the case to the right of the front lower Counter Shaft Bearing to remove it from the bore.



## Main Drive Gear and Input Shaft Removal

1. Using the K-Line tools Input Bearing Puller, remove the Input Shaft Bearing.

**Note:** Input Shaft may also be driven through the bearing using a soft hand maul.



2. With the upper Counter Shaft still pushed as far toward the case as possible, remove the Input Shaft, Main Drive Gear and spacer as an assembly.

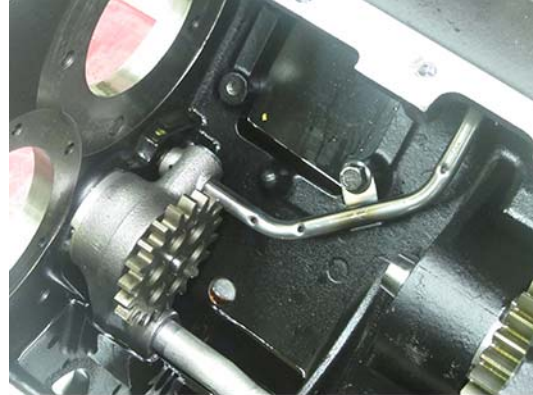


3. Using the K-Line J-hook (RR1004TR), remove the upper and lower Counter Shafts from the Transmission Main Case.

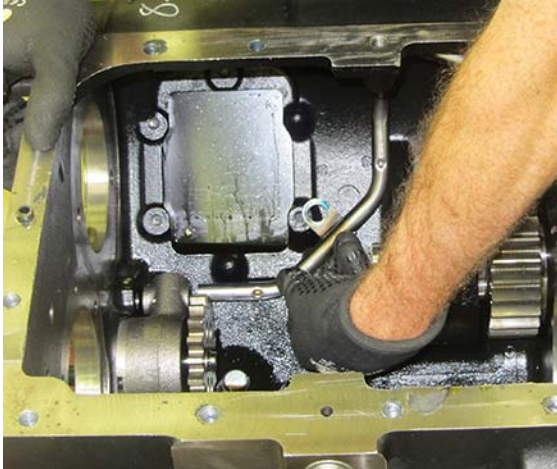


## Main Drive Gear and Input Shaft Removal

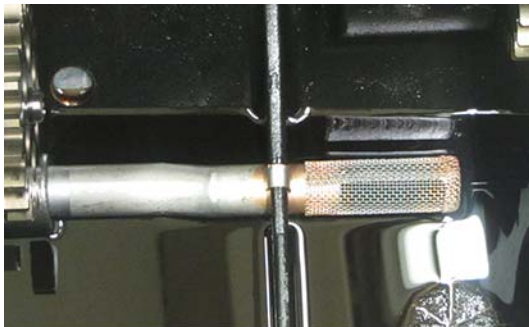
1. Remove the two bolts fastening the Main Feed Tube assembly to the Transmission Case.



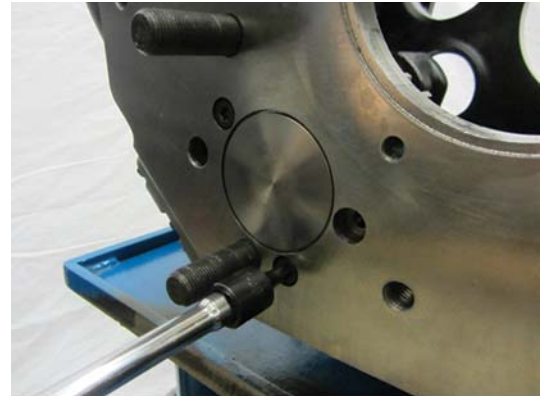
- Remove the Main Feed Tube assembly from the Transmission Case by pulling the assembly from the Oil Pump and swivel the assembly out of the case while guiding it through the intermediate wall.



- Straighten the lock on the Suction Strainer. Unseat from the pump, and remove the Suction Strainer from the Main Case.



- Remove the three bolts fastening the Oil Pump to the Transmission Main Case and remove the Oil Pump.



- Remove the Oil Pump Cover from the front of the Transmission Main Case.



## Oil Pump and Lube Tube Installation

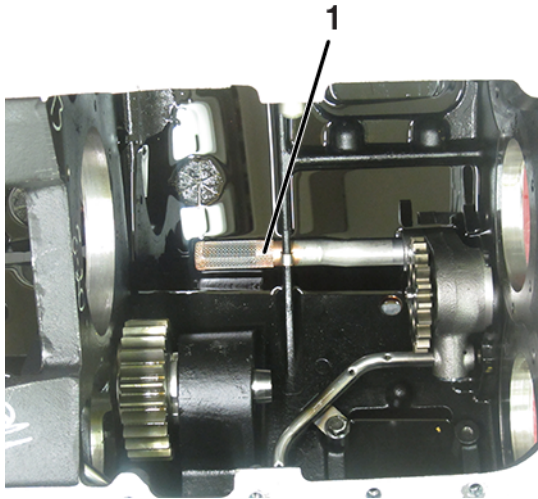
### Special Instructions

None

### Special Tools

None

### Component Identification



1. Suction Strainer

## Oil Pump Installation

1. Clean any debris from the Transmission Main Case before assembly.
2. Apply oil or assembly lube to the O-ring on the Oil Pump Cover. Install into the front of the Transmission Main Case.

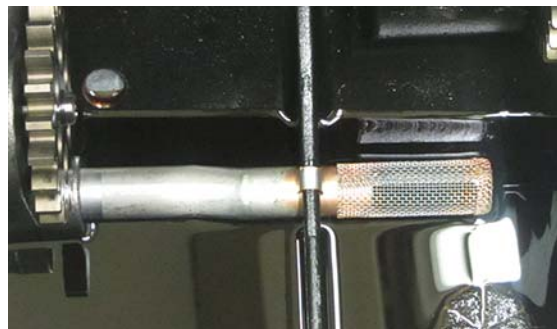


3. Install the Oil Pump into the Transmission Main Case; torque bolts to 8–12 lb-ft.



## Lubrication Tubes Installation

1. Install the Suction Strainer into the Transmission Main Case, push the tube into the Oil Pump until the tab is flush against the Oil Pump. After the Suction Strainer has been installed, secure the strainer by pushing down the tube lock.



2. Install the Main Feed Tube into the Transmission Main Case.

**Note:** The tube needs to be rotated through the Shift Bar Housing opening while going through the intermediate wall, then rotated into place to line up with the Oil Pump.



3. Install the two cap screws securing the Main Feed Tube to the Transmission Main Case.



## Main Case Gear Timing and Assembly

1. Using the "O" stamped onto the rear of the Main Case Counter Shafts, mark the corresponding tooth on the Main Drive Gear set (front gear) with highly visible ink or dye.



2. Mark two adjacent teeth on the Main Drive Gear with highly visible ink or dye, then mark two more teeth 180 degrees apart.

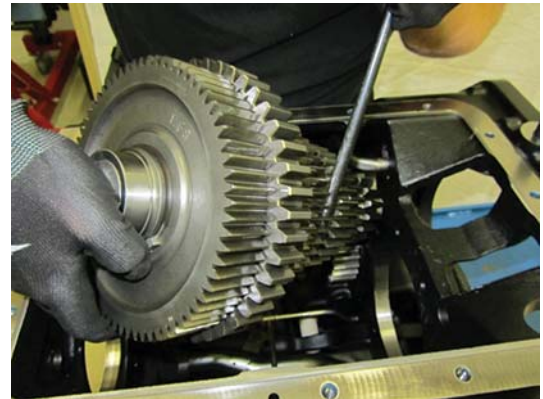
**Note:** There should be an equal number of teeth in between both marks, counting both directions around the gear.



## Main Case Counter Shaft Installation

1. Using a J-hook, install the lower Counter Shaft into the Transmission Main Case.

**Note:** Place the back of the lower Counter Shaft into the rear Counter Shaft Bearing bore and carefully swing the Counter Shaft into place.



2. Using a J-hook, install the upper Counter Shaft into the Transmission Main Case.

**Note:** Place the back of the upper Counter Shaft into the rear Counter Shaft Bearing bore and carefully swing the Counter Shaft into place.





3. Place the Main Drive Gear on a bench and install the Input Shaft into the splines of the Main Drive Gear.



4. Install the snap ring that retains the Input Shaft to the Main Drive Gear. Place one corner of the snap ring in the Main Drive Gear groove. With a small screwdriver, slowly work around the Input Shaft until the snap ring is fully seated.



5. Install the Input Shaft and Main Drive Gear as an assembly into the Transmission Main Case.

**Note:** Counter Shaft Bearings must not be installed to complete the installation.



6. Install the Input Shaft Spacer on the Input Shaft.



7. Place the Input Shaft Bearing over the Input Shaft. Using the Input Shaft Bearing Driver, press the bearing onto the Input Shaft and into the Transmission Main Case.

**Note:** Drive the bearing into the Transmission Main Case and wiggle the Input Shaft assembly back out. Continue driving the bearing onto the Input Shaft. Repeat this process until there is enough room to install the Input Shaft snap ring.



8. Install the Input Shaft snap ring.



9. Line up the marked tooth on the lower Counter Shaft with the two marked teeth on the Main Drive Gear.



10. Using the rear Counter Shaft Bearing Driver, RR1012TR-4, drive the rear bearing onto the lower Counter Shaft and into the intermediate wall of the Transmission Main Case until there is enough room to install the rear Counter Shaft Bearing snap ring.



11. Install the rear lower Counter Shaft Bearing snap ring.



13. Install the front lower Counter Shaft Bearing retaining washer and bolt and torque to 90–120 lb-ft.



12. Using the bearing driver RR1012TR-2, install the front lower Counter Shaft Bearing onto the Counter Shaft and into the bore of the Transmission Main Case.

**Note:** Using an old race for the front Counter Shaft Bearings helps keep the rollers in place during installation.



14. Place the upper Reverse Idler on top of the lower Counter Shaft; tuck it as close to the side of the case as possible.

**Note:** Ensure the gear is installed in the proper direction. The gear should have “FRONT” scribed on the side facing the front of the transmission. If no markings, the face of the gear with the machined indentation should go to the rear of the transmission.



15. Using a J-hook, install the Main Shaft assembly into the Transmission Main Case by placing the rear of the Main Shaft through the opening in the intermediate wall and lowering the front of the Main Shaft into place. Pull the Main Shaft forward and pilot the tip into the Input Shaft Bushing.

**Note:** Reverse Gear needs to be tucked into 1st Gear (over the 1st–Reverse Sliding Clutch) during installation to ensure adequate room to position the Main Shaft.

**Caution:** The front sliding clutch (4th–5th) can slide off the Main Shaft during installation.

**Caution:** The reverse gear will move freely during installation. If low-force gearing is present, the hub will also move freely on the shaft.



16. Install the rear Main Shaft Bearing partially into the case to aid in supporting the Main Shaft assembly.

**Note:** Ensure the Reverse Gear remains tucked against 1st Gear.

17. Line up the marked tooth on the upper Counter Shaft with the two marked teeth on the Main Drive Gear.

**Note:** Ensure the lower Counter Shaft is still in time with the Main Drive Gear before moving the upper Counter Shaft into place.



19. Install the rear upper Counter Shaft Bearing snap ring.



18. Using the rear Counter Shaft Bearing Driver, RR1012TR-4, drive the rear bearing onto the upper Counter Shaft and into the intermediate wall of the Transmission Main Case until there is enough room to install the rear Counter Shaft Bearing snap ring.



20. Install the front upper Counter Shaft Bearing onto the Counter Shaft and into the bore of the Transmission Main Case.

**Note:** Using an old race for the front Counter Shaft Bearings helps keep the rollers in place during installation.



21. Install the front lower Counter Shaft Bearing retaining washer and bolt and torque to 90–120 lb-ft.



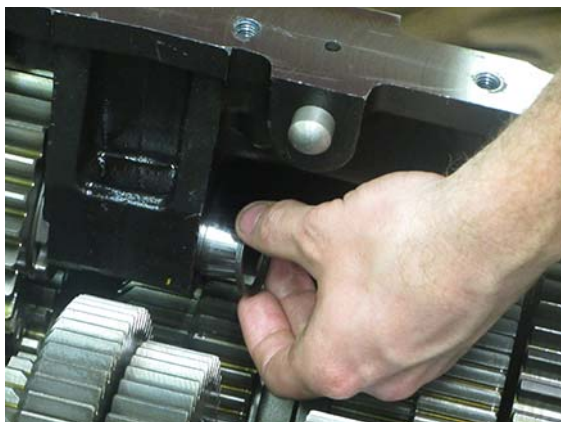
22. Install the upper Reverse Idler Shaft into the bore in the intermediate wall. Pilot the shaft through the first thrust washer and into the idler gear. Once the shaft has cleared the bore of the gear, pilot the shaft through the second thrust washer.



23. Using a soft bar and soft maul, complete the installation of the Reverse Idler Shaft by placing the bar on the end of the shaft and striking with the maul.



24. Install a new spiral lock retainer on the upper Reverse Idler Shaft.



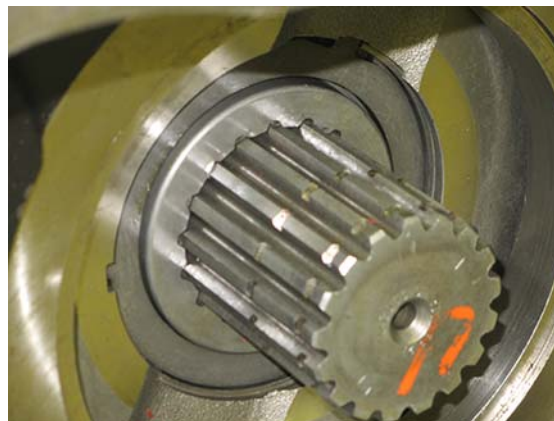
25. Remove the rear Main Shaft Bearing and pull the Reverse Gear back into place in between the two Reverse Idlers. Ensure the Reverse Gear is pulled as far to the rear of the case as possible.

**Note:** Placing a hand maul in between the 1st and Reverse Gear will assist in keeping the Reverse Gear in position.



26. Install the keyed washer into the Reverse Gear. The washer should rest on the upper edge of the snap ring groove of the Reverse Gear.

**Note:** When installing, the washer can drop in front of the gear and rest on the Main Shaft.



27. Install the Reverse Gear snap ring, place one corner into the groove in the gear and, using two small screwdrivers, pry it into place working slowly around the Main Shaft until the snap ring is fully seated.



28. Install the rear Main Shaft Bearing onto the Main Shaft. Using a plastic hammer or hammer and brass drift, drive the bearing into the bore of the intermediate wall.



29. Install the rear Main Shaft Bearing retaining plate and cap screws; torque the six cap screws to 35–45 lb-ft.

**Note:** Ensure the Retainer Ring is installed in the proper direction. The inner groove should fit over the bearing.



30. Install the Auxiliary Drive Gear onto the Transmission Main Case Main Shaft.



31. Install the Auxiliary Drive Gear snap ring.

**Note:** If the snap ring will not fit into the groove verify that the Main Shaft is pulled to the rear of the Transmission.



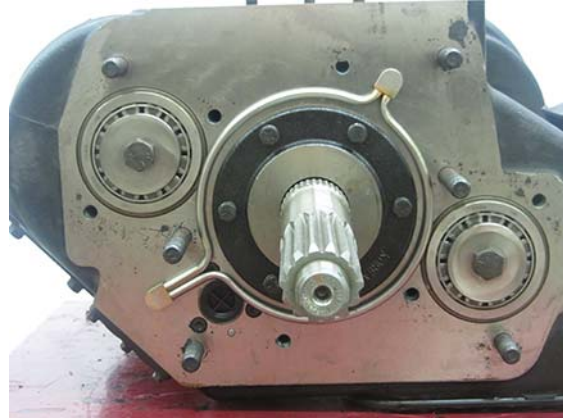
32. Install both upper and lower Auxiliary Counter Shaft Front Bearing Races into the Transmission Main Case intermediate wall if removed.



33. Install the oiling system halo through the bores in the front of the Transmission Main Case until all O-rings are fully seated.



35. Install the six cap screws that fasten the Front Bearing Cover to the Transmission Main Case. Torque the cap screws to 35–45 lb-ft.



34. Install the Front Bearing Cover and gasket.



**Important:** Confirm the oil return path from the Front Bearing Cover and the gasket return port are aligned.



## Auxiliary Section Installation

1. Ensure that the Auxiliary Counter Shaft Support Straps are still installed and all three cap screws are snug.

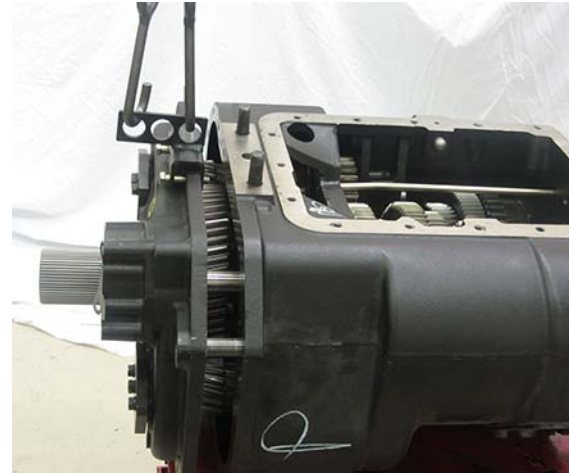


2. Install new Gasket on the Main Case.



3. Using an overhead crane, lift the Auxiliary Case assembly and line up the two holes in the Auxiliary Case with the Transmission Main Case alignment pins. Push the case forward toward the Transmission Main Case.

**Note:** Verify the Auxiliary Counter Shafts are still timed to the Auxiliary Reduction Gear before installing. This will allow for easier installation and timing to the Auxiliary Drive Gear.



- Once the Auxiliary Case is pushed as far into the Transmission Main Case as possible, remove the Auxiliary Section Lifting Bracket. Loosen the Auxiliary Counter Shaft Support Strap cap screws and fully seat the Auxiliary Case to the Transmission Main Case.

**Note:** Fully seating the Auxiliary Section to the Transmission Main Case should take light force; do not draw it in with bolts. If the Auxiliary Section will not come flush with the Transmission Main Case, a timing issue with the Auxiliary Section gearing may be the cause.



- Install the 19 cap screws that fasten the Auxiliary Section to the Transmission Main Case. Torque bolts to 35–45 lb-ft.



- Install required shim into bearing bore, shimming instructions will be included with the shim kit. Install new gasket between the cover and the Auxiliary Case. Torque cap screws to 30–35 lb-ft.



# Main Case Main Shaft Disassembly with Low Force Gearing

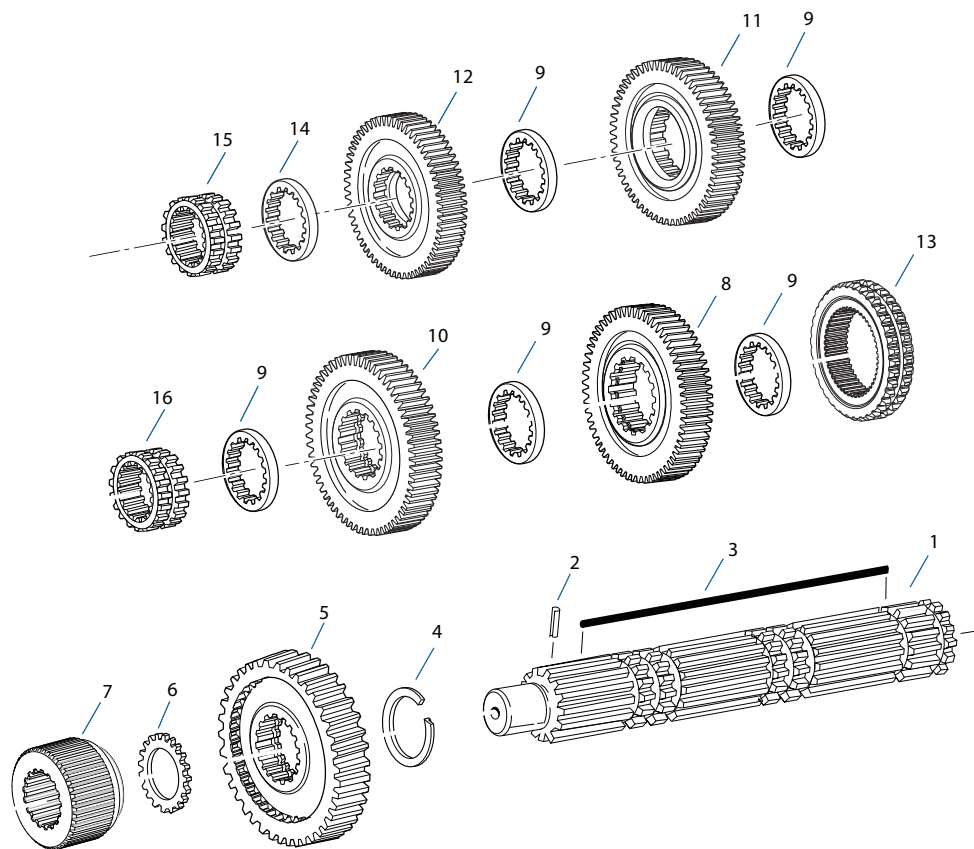
## Special Instructions

None

## Special Tools

None

## Component Identification



- 1. Main Shaft
- 2. Roll Pin
- 3. Main Shaft Key
- 4. Snap Ring
- 5. Reverse Gear
- 6. Spacer
- 7. Main Shaft Sleeve
- 8. 1st Gear

- 9. Washer
- 10. 2nd Gear
- 11. 3rd Gear
- 12. OD Gear
- 13. Sliding Clutch
- 14. Washer
- 15. Sliding Clutch
- 16. Sliding Clutch

## Main Case Main Shaft Disassembly with Low Force Gearing

1. Remove the front (4th and 5th Gear) Sliding Clutch from the Main Shaft



2. From the rear of the Main Shaft, remove the Reverse Gear.



3. Remove the 1st and Reverse Sliding Clutch and hub

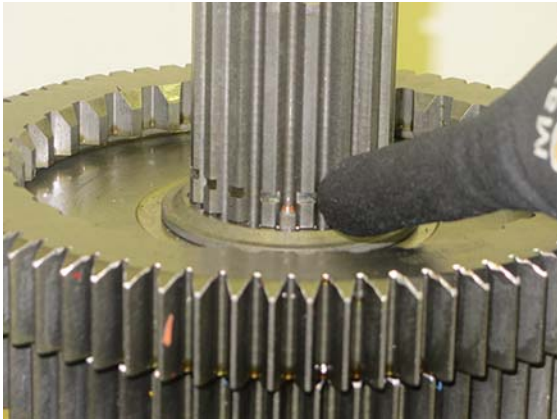


4. Remove Snap Ring that retains the key.



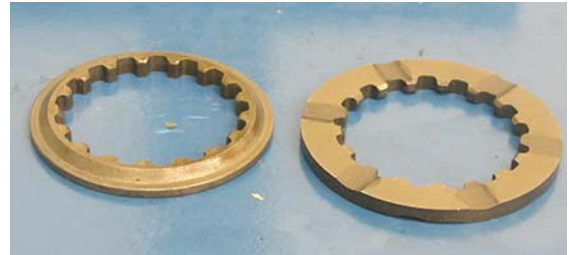
5. Remove the key from the Main Shaft keyway.

**Note:** When removing no-burn washers or spacers, note their location on the Main Shaft to facilitate reassembly. Keep each washer with the corresponding gear it was mated against.



6. Remove the 1st stepped no-burn washer from the Main Shaft.

**Note:** There are two types of washers used on the Main Shaft. The stepped washers (left) fit between gears and sliding clutches with the stepped edge facing the sliding clutch. The flat no-burn washers fit between gears.



7. Remove the 1st Gear from the Main Shaft.



9. Remove 2nd Gear from the Main Shaft.



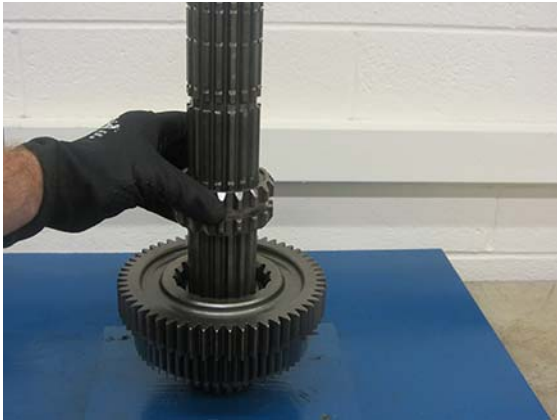
8. Remove the 2nd stepped no-burn washer from the Main Shaft.



10. Remove the 3rd stepped washer from the Main Shaft.



11. Remove the 2nd–3rd Gear Sliding Clutch.



12. Remove the 4th no-burn washer and 3rd Gear.



13. Remove the 5th flat no-burn washer from the Main Shaft.



14. Remove 4th Gear (5th for direct drive) from the Main Shaft.





15. Remove the last stepped no-burn washer from the Main Shaft.

**Note:** The last or furthest forward no-burn washer is smaller than the rest. This is specific for the front of the Main Shaft as the 4th–5th Gear Sliding Clutch is smaller than the 1st–Reverse and 2nd–3rd Gear Sliding Clutches.



## Main Case Main Shaft Assembly with Low Force Gearing

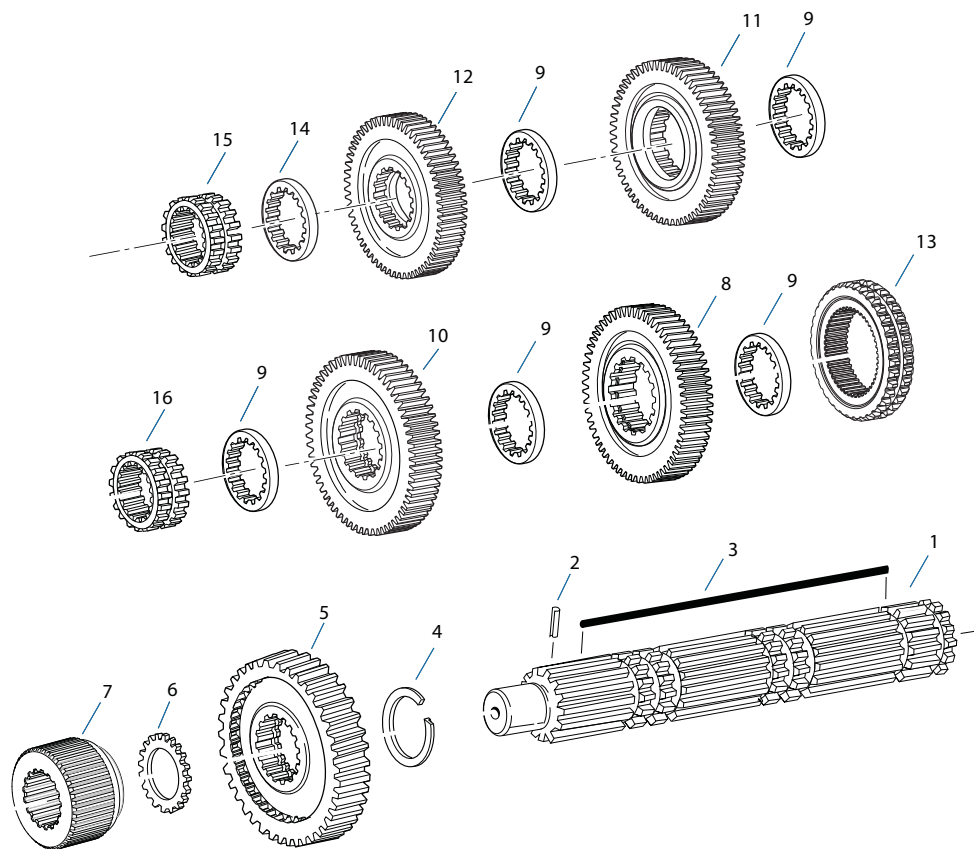
### Special Instructions

None

### Special Tools

None

### Component Identification



1. Main Shaft
2. Roll Pin
3. Main Shaft Key
4. Snap Ring
5. Reverse Gear
6. Spacer
7. Main Shaft Sleeve
8. 1st Gear

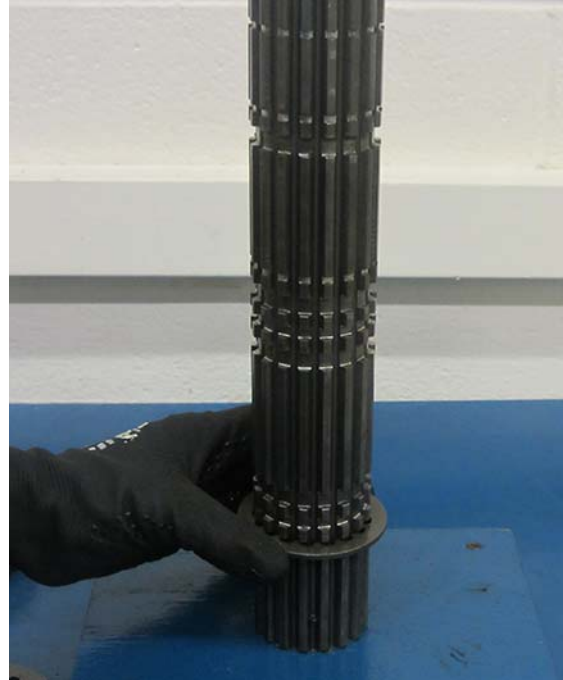
9. Washer
10. 2nd Gear
11. 3rd Gear
12. OD Gear
13. Sliding Clutch
14. Washer
15. Sliding Clutch
16. Sliding Clutch

## Main Case Main Shaft Assembly with Low Force Gearing

1. Place the Main Shaft vertical and hold the noise in a vise or a pilot hole in a piece of wood.



2. Install the first stepped washer. The stepped edge should be facing down so that it contacts the 4th/5th sliding clutch. Rotate the washer to lock it into place.



3. Locate the groove that has the roll pin, use a piece of 5/32" air line to push up through the key way groove to lock the no-burn washers in place as the Main Shaft is built.



4. Install the Overdrive Gear or Direct Drive Gear (depending on the model of the transmission) and the no-burn washer. Rotate the washer and push the air line through.



5. Install the 3rd Gear and stepped washer. Rotate the no-burn washer and push the air line through.



6. Install the 2nd/3rd Sliding Clutch. Make sure the wide slot on the sliding clutch aligns with the keyway.



7. Install the stepped washer. Rotate the washer and push the air line through.



8. Install 2nd Gear and the no-burn washer. Rotate the no-burn washer and push the air line through.



9. Install 1st gear and stepped washer. Rotate the no-burn washer and push the air line through.



10. Install the Main Shaft Key through the slot where the 5/32" air line sits by pushing the air line out with the key until it is seated against the role pin.



11. Install the snap ring that retains the main shaft key.



12. Install the sliding clutch hub and sliding clutch.



13. Install the Reverse Gear on the Main Shaft and slide it over the sliding clutch with the snap ring groove facing rearward for installation.



14. Remove the Main Shaft assembly from the holding device. Flip the Main Shaft up and install the Direct/Overdrive Sliding Clutch with the wide slot aligned with the keyway.



## Main Case Main Shaft without Low Force Gearing Disassembly

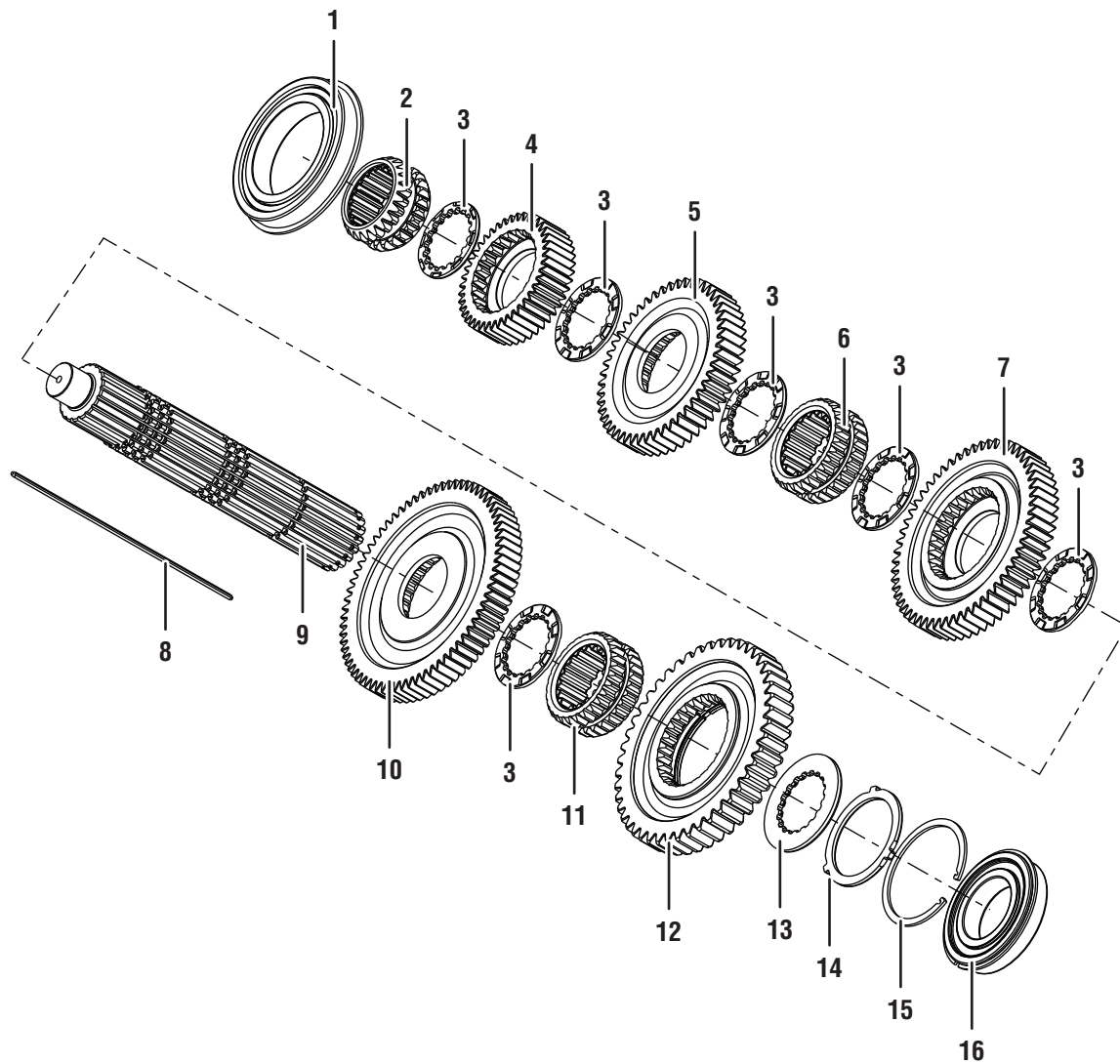
### Special Instructions

None

### Special Tools

None

### Component Identification



1. Input Bearing
2. 4/5 Sliding Clutch
3. Main Shaft Washers (x6)
4. 5th Gear
5. 3rd Gear
6. 2/3 Sliding Clutch
7. 2nd Gear
8. Main Shaft Key

9. Main Shaft
10. 1st Gear
11. 1/R Sliding Clutch
12. Reverse Gear
13. Washer
14. Spacer
15. Snap Ring
16. Auxiliary Bearing



## Main Case Main Shaft Disassembly

1. Remove the front (4th and 5th Gear) Sliding Clutch from the Main Shaft



2. From the rear of the Main Shaft, remove the key from the Main Shaft keyway.

**Note:** When removing no-burn washers or spacers, note their location on the Main Shaft to facilitate reassembly. Keep each washer with the corresponding gear it was mated against.



3. Remove the rear spacer from the Main Shaft.



4. Remove the Reverse Gear from the Main Shaft.



5. Remove the 1st-Reverse Gear Sliding Clutch from the Main Shaft.



7. Remove the 2nd no-burn washer from the Main Shaft.



6. Remove the 1st stepped washer and 1st Gear from the Main Shaft.



8. Remove 2nd Gear from the Main Shaft.



9. Remove the 3rd stepped washer from the Main Shaft.



11. Remove the 4th stepped washer and 3rd Gear.



10. Remove the 2nd-3rd Gear Sliding Clutch.



12. Remove the 5th no-burn washer from the Main Shaft.



13. Remove 4th Gear (5th for direct drive) from the Main Shaft.



14. Remove the last stepped washer from the Main Shaft.

**Note:** There are 2 types of washers on the Main Shaft, stepped and no burn. The no burn washers are flat on both sides, while the stepped washers on one side and have a raised edge or step on the other. The stepped washers should have the stepped side contacting the sliding clutches and the flat side contacting the gear.



## Main Case Main Shaft Assembly

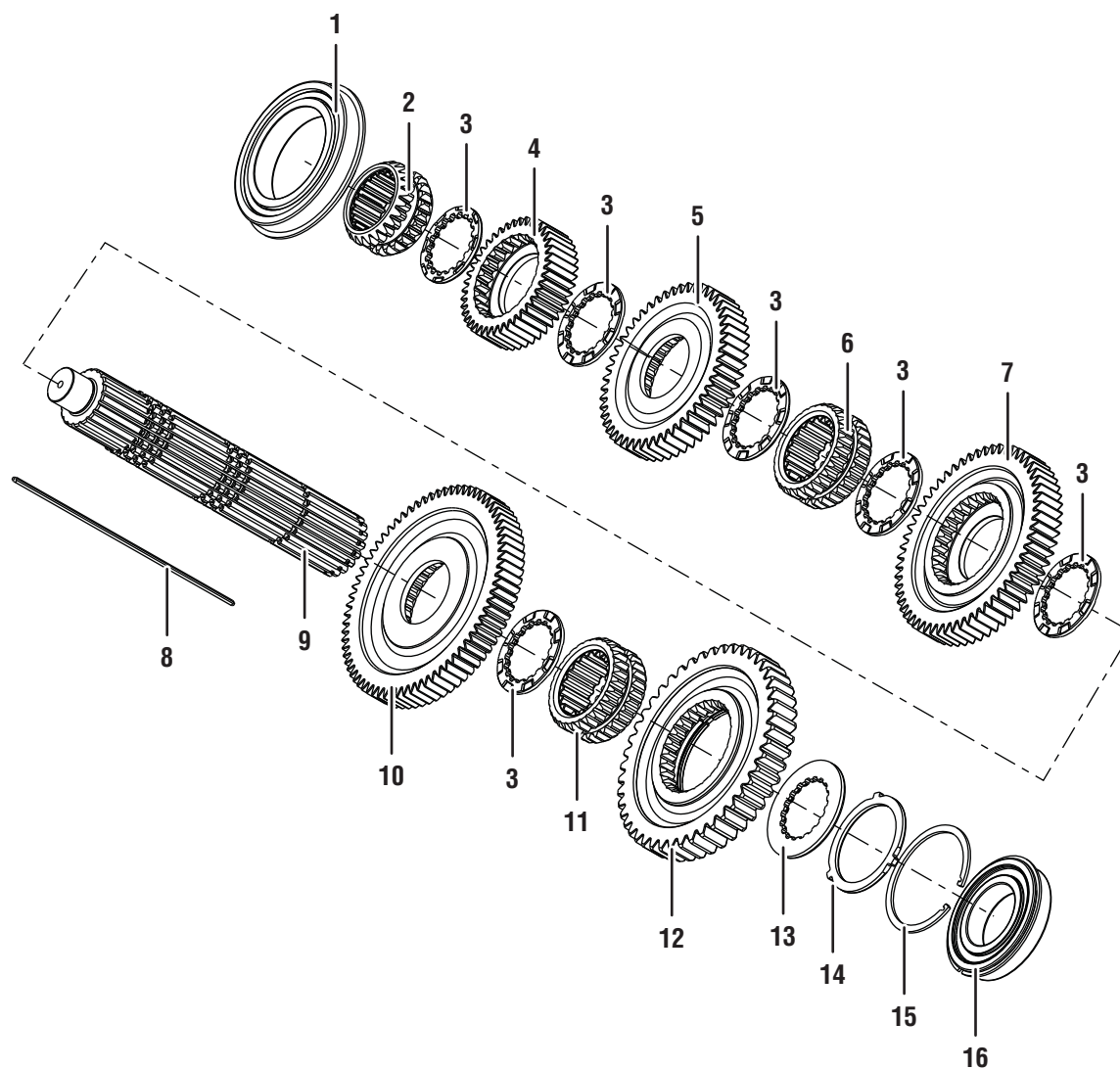
### Special Instructions

None

### Special Tools

None

### Component Identification



1. Input Bearing
2. 4/5 Sliding Clutch
3. Main Shaft Washers (x6)
4. 5th Gear
5. 3rd Gear
6. 2/3 Sliding Clutch
7. 2nd Gear
8. Main Shaft Key

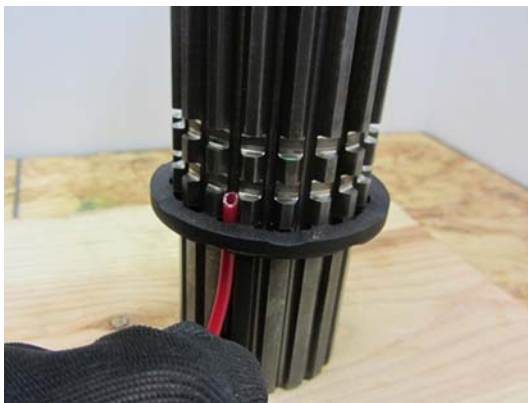
9. Main Shaft
10. 1st Gear
11. 1/R Sliding Clutch
12. Reverse Gear
13. Washer
14. Spacer
15. Snap Ring
16. Auxiliary Bearing

## Main Case Main Shaft Assembly

1. Place the Main Shaft vertical and hold the noise in a vise or a pilot hole in a piece of wood.



2. Install the first stepped washer with the stepped side facing down so it will contact the 4th/5th sliding clutch.
3. Use a piece of 5/32" air line to push up through the key way groove to lock the stepped and no-burn washers in place as the Main Shaft is built.



4. Install the Overdrive Gear or Direct Drive Gear (depending on the model of the transmission) and the no-burn washer. Rotate the washer and push the air line through.



5. Install the 3rd Gear and stepped washer. Rotate the stepped washer and push the air line through.



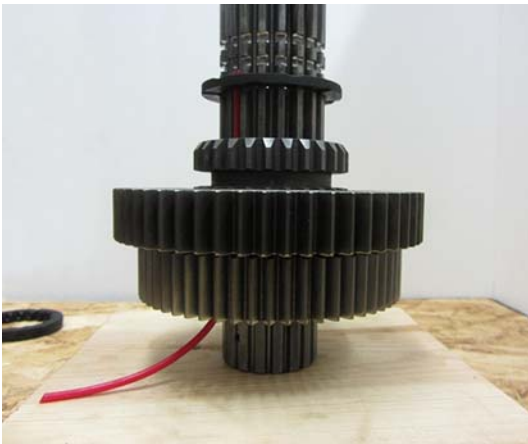
6. Install the 2nd/3rd Sliding Clutch. Make sure the wide slot on the sliding clutch aligns with the keyway.



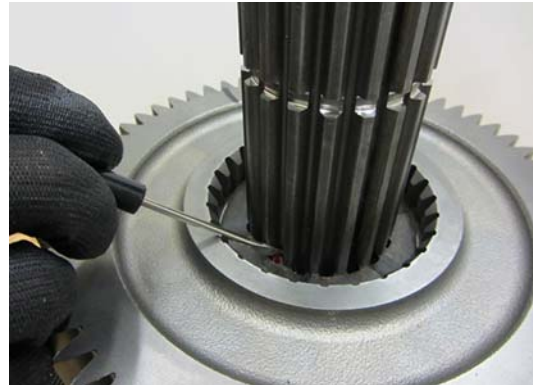
8. Install 2nd Gear and the no-burn washer. Rotate the no-burn washer and push the air line through.



7. Install the stepped washer. Rotate the stepped washer and push the air line through.



9. Install 1st Gear and the stepped washer. Rotate the stepped washer and push the air line through.



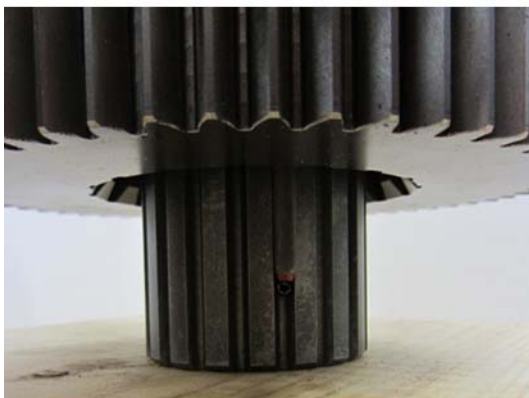
10. Install the 1st/Reverse Sliding Clutch. Align the wide slot on the sliding clutch with the keyway.



11. Install the larger reverse washer. Rotate the washer and push the air line through.



12. Install the key and push the air line down through the Main Shaft until it contacts the roll pin.



13. Install the Reverse Gear on the Main Shaft and slide it over the sliding clutch with the snap ring groove facing rearward for installation.





14. Remove the Main Shaft assembly from the holding device. Flip the Main Shaft up and install the Direct/Overdrive Sliding Clutch with the wide slot aligned with the keyway.



## Reverse Switch Testing, Removal and Installation

### Special Instructions

The Reverse Switch is a normally open ball switch. When the transmission is shifted into Reverse, a ramp on the Reverse Shift Yoke contacts and raises a pin. The pin depresses the ball on the switch, which closes the switch contact, allowing current to flow through the switch and light up the vehicle backup lights.

### Special Tools

None

### Component Identification



1. Reverse Switch
2. Gasket
3. Actuating Pin

## Reverse Switch Testing

1. Disconnect the wiring from the switch by lifting the connector locking tab and pulling the connector out of the switch.
2. Connect an ohm meter to test for continuity.
3. Place the Transmission Shift Lever in any position except Reverse. If the switch is working properly, the ohm meter should read open or infinity. If it is not, remove the switch and recheck it for continuity. Replace as necessary.
4. Place the Transmission Shift Lever in the Reverse position. If the switch is working properly, the ohm meter should register continuity or a small reading. If it does not, remove the switch and recheck it for continuity. Replace as necessary. Also, check for the presence of the Reverse Pin.

## Reverse Switch Removal

1. Disconnect the OEM wiring. Remove the Reverse Switch using a 22 mm or 7/8" deep well socket or box end wrench.
2. Check for the presence of the Reverse Pin in the bore under the switch.
3. While watching the Reverse Pin, move the Transmission Shifter between the Reverse position and any gear. The pin should raise when the Transmission is shifted to Reverse and lower when the Transmission is in Neutral. If the pin does not raise and lower, inspect it to see if something is causing it to stick, and inspect it for wear. Also, remove the Shift Tower and check for wear on the Reverse Yoke Ramp. This ramp can be seen through the shifter opening.
4. Remove the pin from the bore with a magnet and check it for excessive wear. If it is worn, replace it.



## Reverse Switch Installation

1. Insert the Reverse Pin in the Reverse Switch bore. (The Reverse Pin is longer than the Neutral Pin.)
2. Install the gasket on the switch.
3. Install the Reverse Switch. Torque to 15–20 lb-ft (20–27 N•m).
4. Connect the OEM wiring connector, making sure the locking tab engages properly.

## Electronic Clutch Actuator (ECA) Removal and Installation

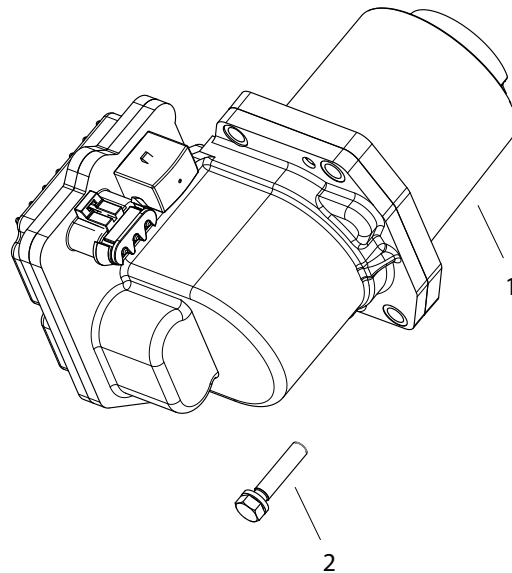
### Special Instructions

If vehicle is equipped with an 8-bolt PTO, removal may be required prior to removing the ECA. Follow PTO manufacturer's guidelines for removal.

### Special Tools

Basic hand tools

### Component Identification



1. ECA
2. ECA Cap Screw

## ECA Removal

**Warning:** Ensure the Hand Hole Cover is closed when removing the ECA.

1. Disconnect the negative battery cable.
2. Disconnect the 8-way and 3-way connectors from the ECA.

**Note:** Some models do not use a shield.



3. Remove the 4 cap screws from the ECA Shield and remove shield.



4. Remove the 4 cap screws from the ECA mounting flange.



## 5. Remove the ECA.

**Note:** The ECA has an alignment pin that requires the unit to be rotated to exit the Clutch Housing bore.

**Note:** If ECA will not slide from the Clutch Housing after all the fasteners are removed, use the available pusher holes found on both sides of the ECA casting. Place the included jackscrews into the holes. Turn each jackscrew until it touches. Next, turn the upper jackscrew 1 turn; then rotate the lower jackscrew 1 turn. Continue until the ECA is fully displaced from the bore.



## ECA Installation

1. Install the ECA into the Clutch Housing bore. Align it with the lower Cross-Shaft.

**Note:** The ECA will have to be rotated to align with the slot in the Clutch Housing.

**Note:** Ensure you rotate the Release Yoke as close to the Case Dowel in the Clutch Housing prior to mating with the Cross-Shaft. This allows the Release Yoke to clear the Release Bearing during installation.



2. Install the 4 cap screws from the ECA mounting flange. Tighten them to 35–45 lb-ft (47–61 N•m).

**Note:** The cap screws for the ECA are longer than the ECA Bracket cap screws.

**Note:** Ensure the ECA does not bind on the Cross-Shaft by snugging all cap screws before tightening to the specified torque.



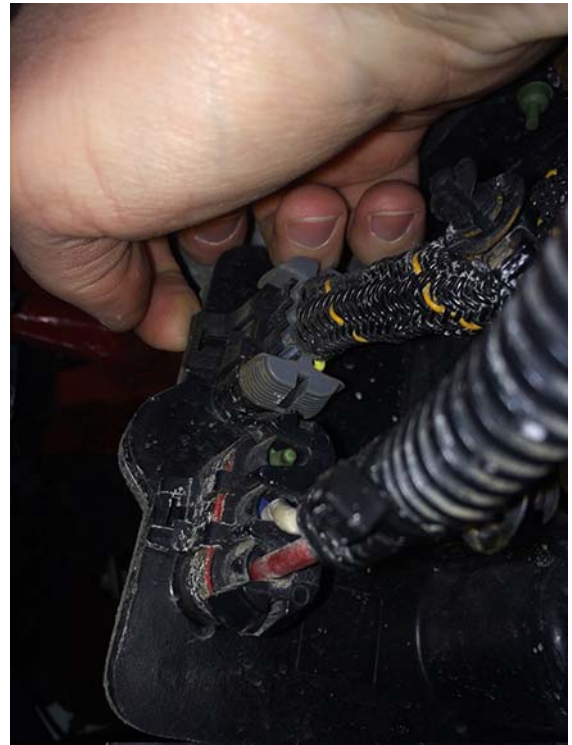
3. If applicable, install the 4 cap screws for the ECA Shield. Tighten them to 35–45 lb-ft (47–61 N•m).



4. Apply NyoGel to terminals and reconnect the 8-way and 3-way connectors to the ECA.

**Note:** Apply just enough material to cover the end of the terminal.

**Note:** Use only Eaton lubricant part number 5564527 (Nye Lubricants NYOGEL 760G. For MSDS safety or other information see [www.nyelubricants.com](http://www.nyelubricants.com).)



5. Reconnect the negative 12-volt battery cable.
6. If previously removed, install the 8-bolt PTO after ECA installation. Follow the PTO manufacturer's guidelines for installation instructions.



## Low Capacity Inertia Brake (LCIB) Removal and Installation

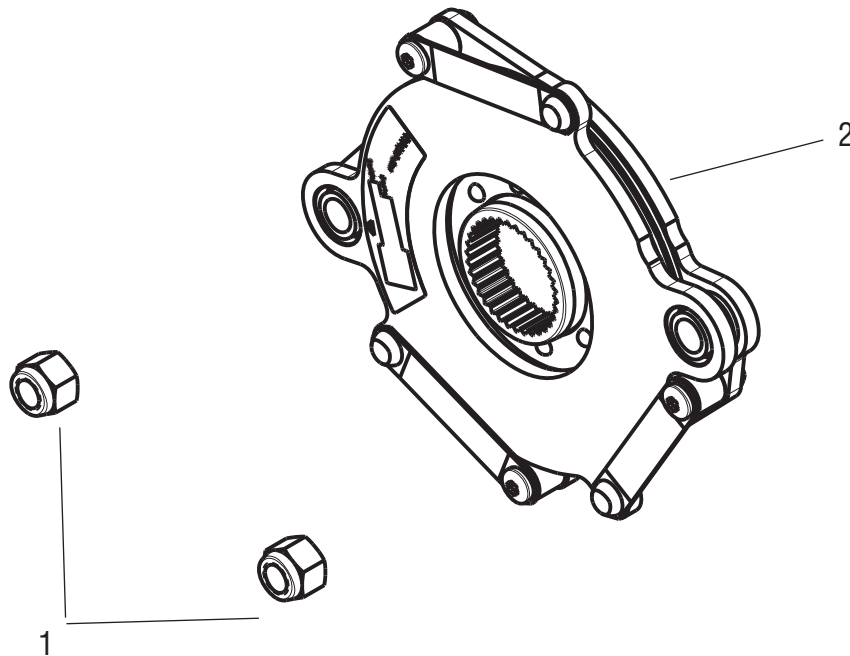
### Special Instructions

None

### Special Tools

Basic hand tools

### Component Identification



1. Mounting Nuts (x2)
2. Low Capacity Inertia Brake (LCIB)

## LCIB Removal

**Note:** The Transmission, Cross Shaft, Release Yoke and ECA must be removed prior to removing the LCIB.

1. Remove the 2 mounting nuts with a breaker bar and socket.



2. Remove the LCIB by hand by sliding off of the splined Input Shaft.



## LCIB Installation

1. Slide the LCIB onto the splined Input Shaft while centering the holes onto the retaining studs.



2. Install the 2 retaining nuts and torque nuts to 140–150 lb-ft (190–203 N•m).

**Note:** The LCIB can only be installed one way. The label is toward the right side of the vehicle and facing the fly-wheel.



## Release Yoke and Cross-Shaft(s) Removal and Installation

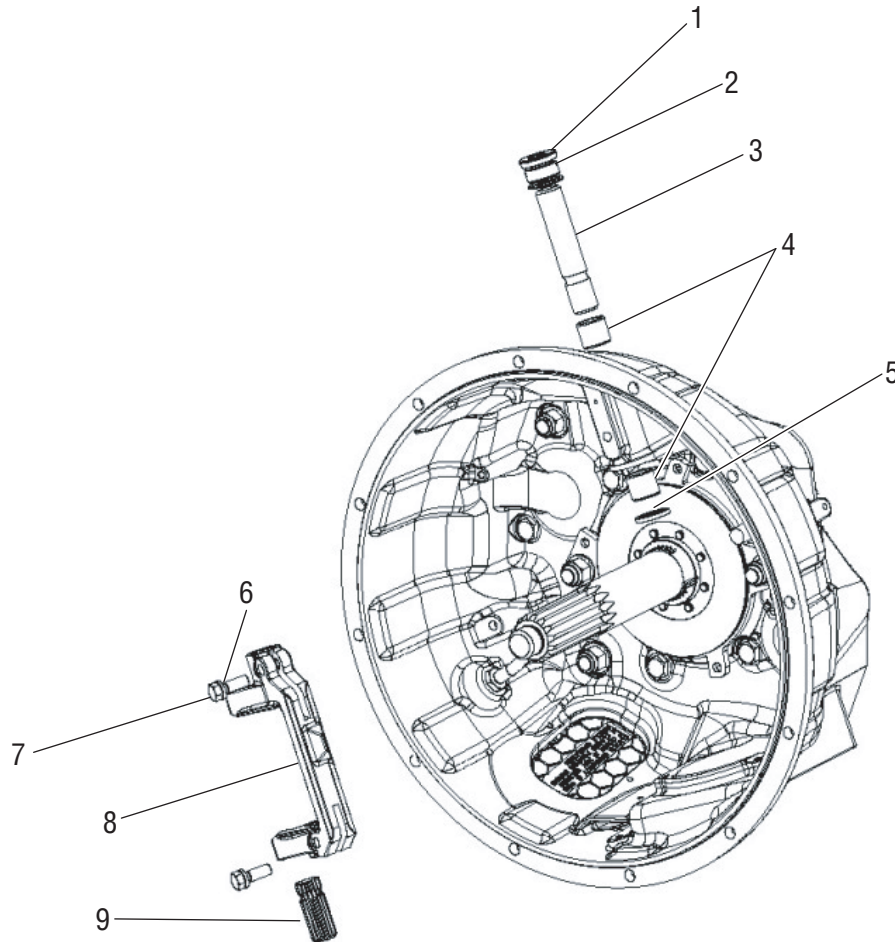
### Special Instructions

None

### Special Tools

Basic hand tools

### Component Identification



1. Plug
2. O-ring
3. Upper Cross-shaft
4. Bushing
5. Seal
6. Lock Washer
7. Mounting Screw
8. Release Yoke
9. Lower Cross-shaft

## Release Yoke and Cross-Shaft(s) Removal

**Note:** The Transmission and ECA must be removed prior to removing the Release Yoke and Cross-Shaft(s).

1. Remove the upper and lower Cross-Shaft mounting cap screws and lock washers from the Release Yoke.



2. Remove the Cross-Shaft Plug with O-ring.



3. Push the upper Cross-Shaft up out of the Release Yoke and remove the Yoke.



4. Remove the lower Cross-Shaft and Release Yoke.



5. Remove the upper Cross-Shaft Seal assembly.



6. If necessary, remove the 2 upper Cross-Shaft Bushings.



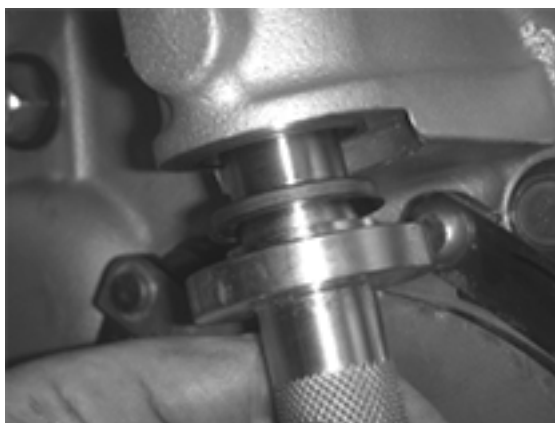
## Release Yoke and Cross-Shaft(s) Installation

1. If previously removed, install the 2 upper Cross-Shaft Bushings.

**Note:** Make sure to apply grease to the bushings.



2. If previously removed, install the upper Cross-Shaft Grease Seal.



3. Install the upper Cross-Shaft into the bore.



5. Install lower Cross-Shaft assembly and install 1 cap screw and lock washer by hand.



4. Slide yoke onto upper Cross-Shaft assembly and install 1 cap screw and lock washer by hand.



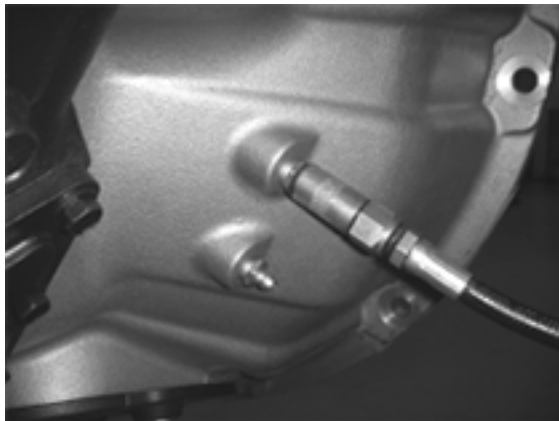
6. If previously removed, install the O-ring onto the Cross-Shaft Plug and then install the Cross-Shaft Plug into the Transmission Housing and torque to 34–48 lb-ft (46–65 N•m).



7. Tighten the 2 Yoke cap screws to 35–45 lb-ft (47–61 N•m).



8. Grease upper Cross-Shaft assembly, refer to the Clutch Service Manual (CLSM0200) for proper purging procedure.



## Cobra Lever Removal and Installation

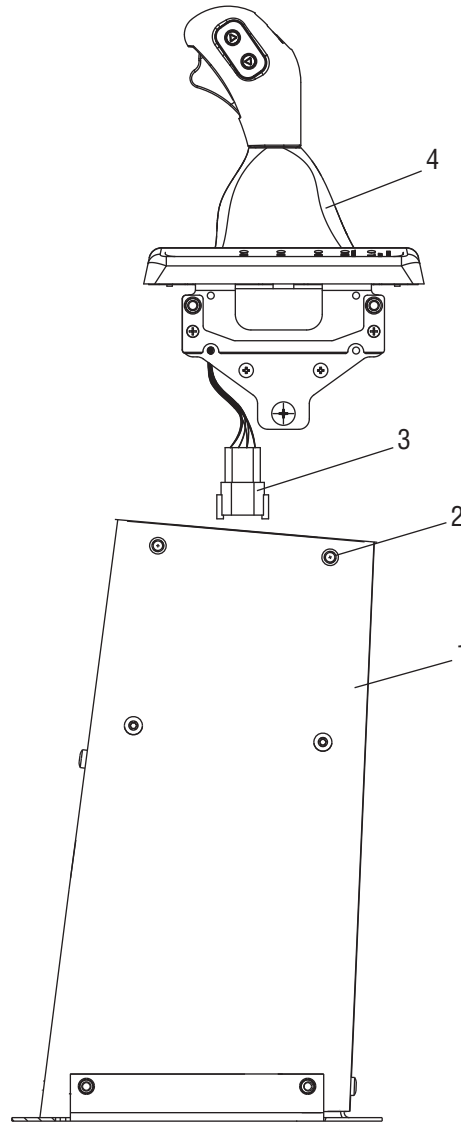
### Special Instructions

None

### Special Tools

Basic hand tools

### Component Identification



1. Tower
2. Screw
3. 8-Way Cobra Lever Harness Connector



## Cobra Lever Removal

1. Using a Phillips screwdriver, remove the 4 screws from the Cobra Lever Housing.



2. Disconnect the 8-way Cobra Lever Harness connector and remove the Cobra Lever from the housing.



## Cobra Lever Installation

1. Connect the 8-way Cobra Lever Harness connector and place the Cobra Lever into the tower.



2. Using a Phillips screwdriver install the 4 screws into the Cobra Lever Housing.



## Eaton Push Button Shift Control Device (PBSC) Removal and Installation

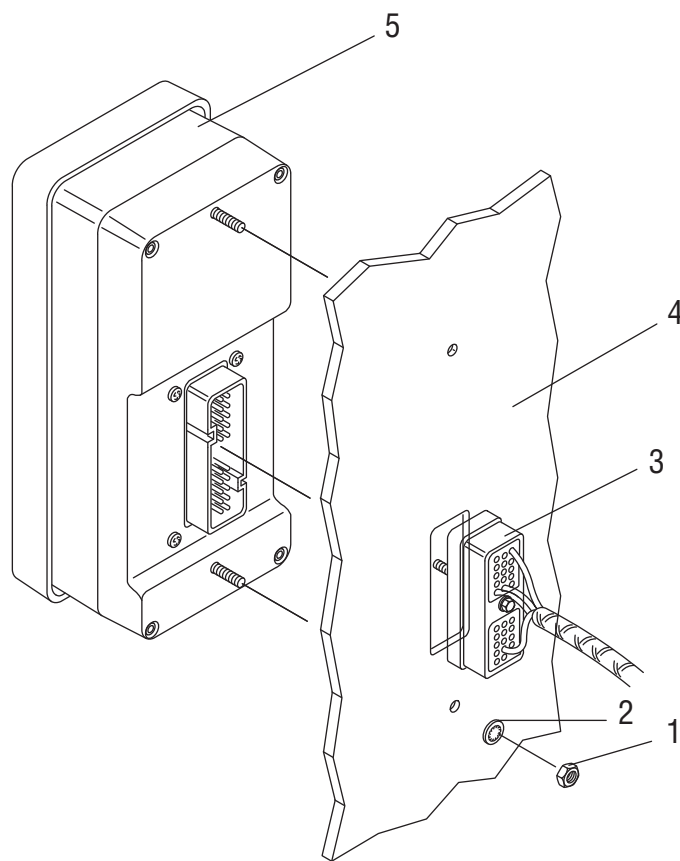
### Special Instructions

The exact location varies depending on vehicle manufacturer.

### Special Tools

Basic hand tools

### Component Identification



1. Nut
2. Washer
3. 30-Way Push Button Shift Control Device (PBSC) Connector
4. Backing Plate
5. Eaton Push Button Shift Control Device (PBSC)

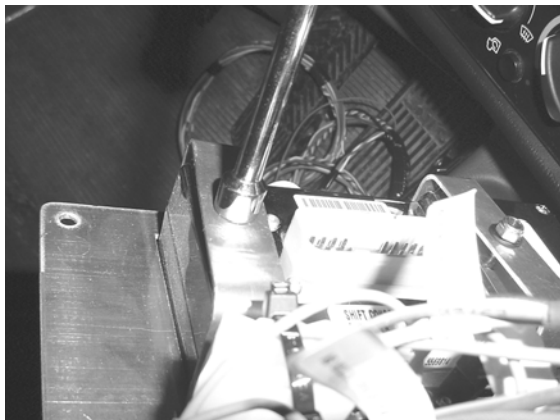
## Eaton PBSC Removal

1. Using a 1/4" socket, loosen the retaining bolt and disconnect the 30-way connector from the back of the Shift Control.



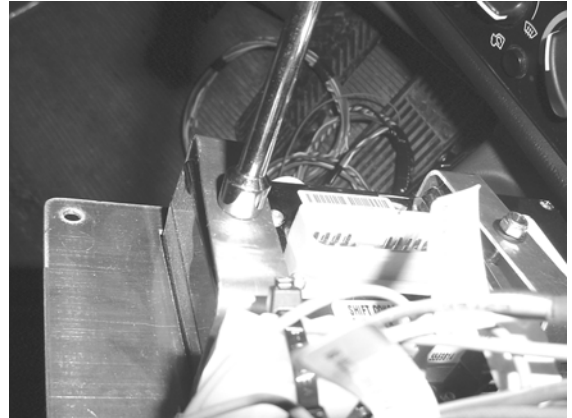
2. Using a 11/32" wrench, remove the 2 nuts and lock washers from the back of the Shift Control and remove the Shift Control.

**Note:** Shift Control location and use varies with each truck.



## Eaton PBSC Installation

1. Install the Shift Control in the mounting location. Then, using a 11/32" wrench, install the 2 lock washers and nuts and tighten to 14–16 lb-in (18–21 N•m).



2. Using a 1/4" wrench, reconnect the 30-way connector to the back of the Shift Control and tighten to 10 +/- 3 lb-in (13.5 +/- 4 N•m)



# Transmission Harness Removal and Installation

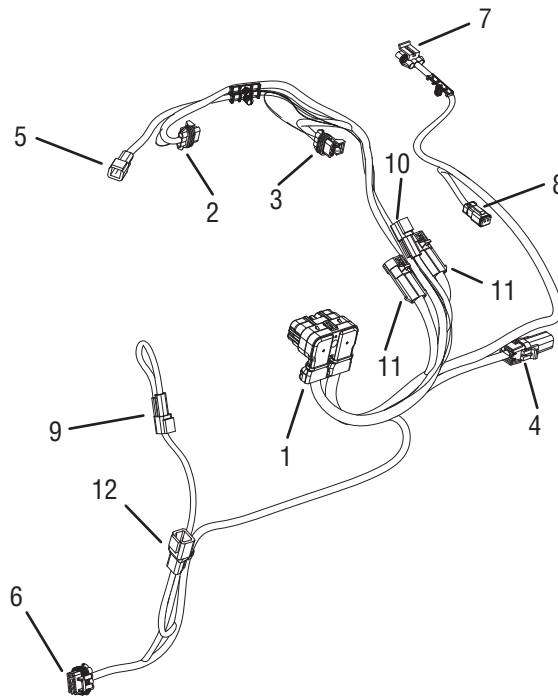
## Special Instructions

None

## Special Tools

Basic hand tools

## Component Identification



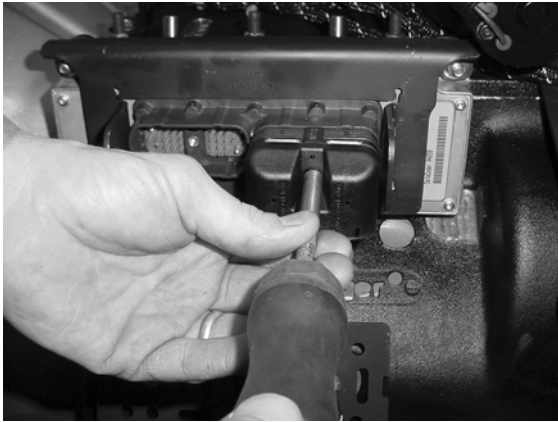
1. 38-way Transmission Electronic Control Unit (TECU) Connector
2. Gear Sensor Connector
3. Rail Sensor Connector
4. 4-way Diagnostic Connector
5. Input Shaft Speed Sensor Connector
6. 8-way Electronic Clutch Actuator (ECA) Connector
7. Range Solenoid Connector
8. Output Shaft Speed Sensor Connector
9. Engine Speed Sensor Connector
10. Main Shaft Speed Sensor
11. X-Y Shifter Connector
12. Terminating Resistor Connector

## Transmission Harness Removal

**Caution:** The battery negative must be disconnected prior to disconnecting the 38-way Transmission Electronic Control Unit (TECU) Connector and 38-way Vehicle Harness Connector from the TECU.

**Caution:** Do not allow contamination into the TECU or connectors.

1. Disconnect the following connectors:
  - Using a 5/32" hex wrench, unscrew and disconnect the Transmission Harness 38-way Connector and Vehicle Interface 38-way Connector.



2. Disconnect the following harness connectors:
  - Input Shaft Speed Sensor
  - Main Shaft Speed Sensor
  - Gear Select Sensor and Rail Select Sensor
  - Output Shaft Speed Sensor
  - Range Valve Solenoids
  - ECA Speed Sensor
  - 8-way ECA Connector
  - X-Y Shifter

## Transmission Harness Installation

**Caution:** Do not allow contamination into the TECU connectors.

**Caution:** Do not over tighten cable ties.

**Caution:** You need to leave a service loop in the Transmission Harness.

**Caution:** Do not put sharp bends in the Transmission Harness.

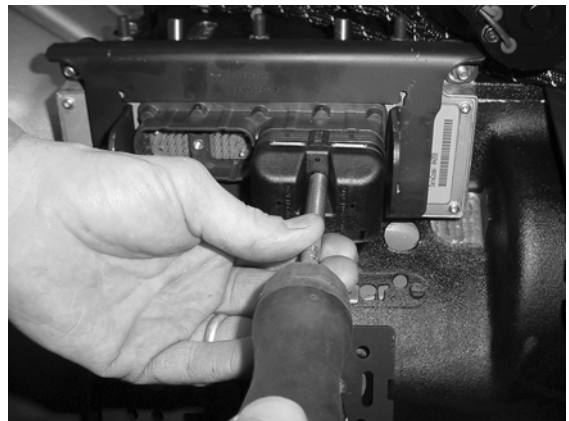
**Caution:** The battery negative must be disconnected, while installing the 38-way Transmission Electronic Control Unit (TECU) Connector and 38-way Vehicle Harness Connector from the TECU.

1. Reconnect the following harness connectors:

- Gear Select and Rail Select Sensor
- Main Shaft Speed Sensor
- Input Shaft Speed Sensor
- Output Shaft Speed Sensor
- ECA Speed Sensor
- 8-way ECA Connector
- X-Y Shifter
- Range Valve Solenoids

2. Using a 5/32" hex wrench, reconnect the Transmission Harness 38-way Connector and tighten to 25 +/- 3 lb-in (2.82 +/- 0.33 N•m).

**Caution:** Do not exceed the torque on the Transmission Harness or Vehicle Harness Connector or bolt failure will occur.



## Transmission Electronic Control Unit (TECU) Removal and Installation

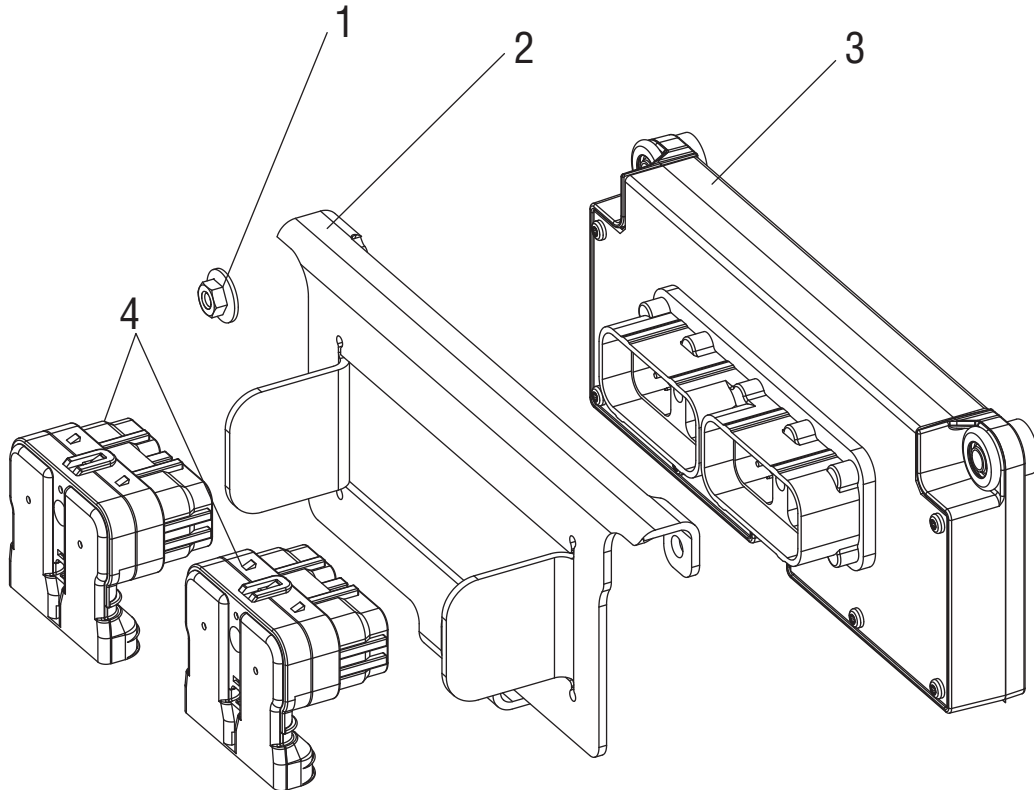
### Special Instructions

None

### Special Tools

Basic hand tools

### Component Identification



1. Nut
2. Bracket
3. Transmission Electronic Control Unit (TECU)
4. 38-Way Connectors
5. Cap Screw (Located inside 38-way connectors)

## TECU Removal

1. Connect ServiceRanger to vehicle and create a service activity report to save current configuration settings before removing the TECU from the Transmission. (Refer to "ServiceRanger User Guide" TCMT0072 for more information.)

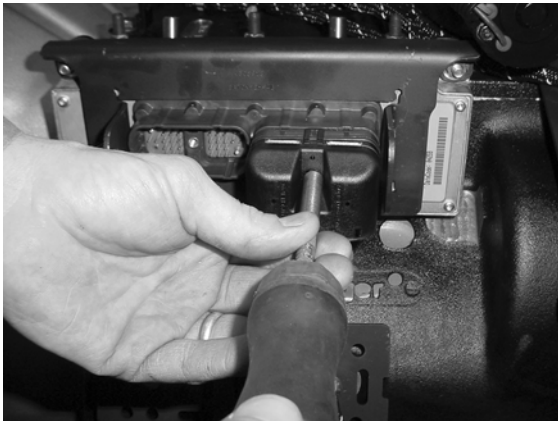


**Caution:** The battery negative must be disconnected prior to unhooking the Transmission ECU (TECU) 38-way connectors.



**Caution:** Do not allow contamination into the TECU or connectors.

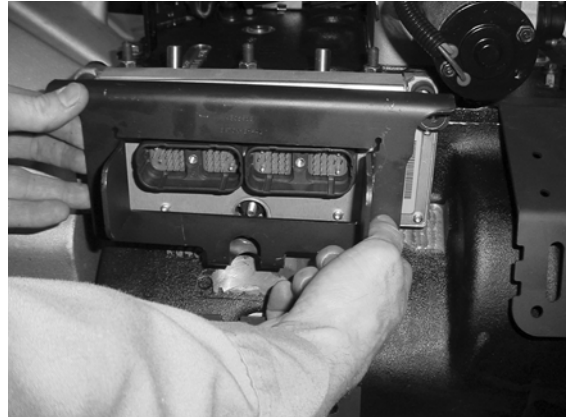
2. Disconnect the following connectors:
  - Using a 5/32" hex wrench, unscrew and disconnect the Transmission Harness 38-way Connector and Vehicle Interface 38-way Connector.



3. Using a 7/16" socket, remove the 3 mounting nuts.



4. Remove the Transmission Controller Retaining Bracket.



5. Remove the Transmission Controller assembly from the locating studs.



## TECU Installation



**Caution:** Battery negative must remain disconnected until the TECU 38-Way connectors are installed.

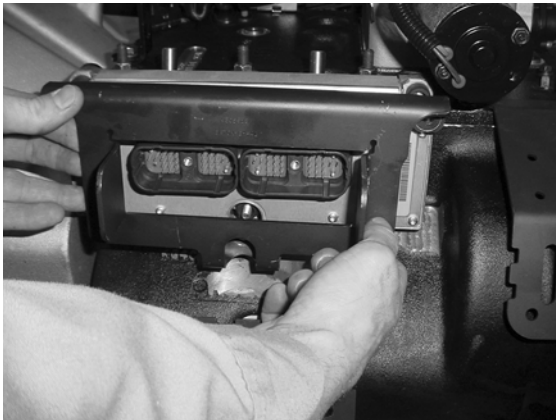


**Caution:** Do not allow contamination into the TECU or connectors.

1. Position the Transmission Controller on the locating studs.



2. Place the Transmission Controller Retaining Bracket over the TECU.



3. Using a 7/16" socket, install the 3 Transmission Controller mounting nuts and tighten to 7–9 lb-ft (9.5–12.2 N•m).

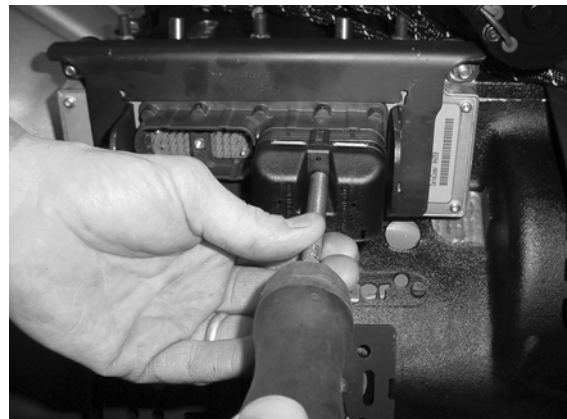


4. Reconnect the following connectors:



**Caution:** Do not exceed the torque on the Transmission Harness or Vehicle Harness Connector or bolt failure will occur.

- Using a 5/32" wrench, reconnect the Transmission Harness 38-way Connector and tighten to 25 +/- 3 lb-in (2.82 +/- 0.33 N•m).
- Using a 5/32" wrench, reconnect the Vehicle Interface 38-way Connector and tighten to 25 +/- 3 lb-in (2.82 +/- 0.33 N•m).
- Reconnect the negative battery cable.





5. Connect ServiceRanger to vehicle and compare recorded configuration settings (step 1 in removal process) to the replacement TECU. Update and save all configurations that are different. (Refer to "ServiceRanger User Guide" TCMT0072 for more information.)
6. To operate properly, the system must be calibrated as follows:



**Important:** The Grade Sensor and ECA must be calibrated before the vehicle is placed in operation.

- a. Turn ignition switch on. Allow Transmission to power up.
- b. Turn ignition off. Wait 2 minutes.

### ECA Calibration

1. Start the truck and let the system air up.
2. With ServiceRanger connected perform Clutch ECA Calibration in Service Routines Option.

### Grade Sensor Calibration

1. Key on, engine off with truck on level ground.
2. With ServiceRanger connected perform Grade Sensor Calibration in Service Routines Option.

## X-Y Shifter Removal and Installation

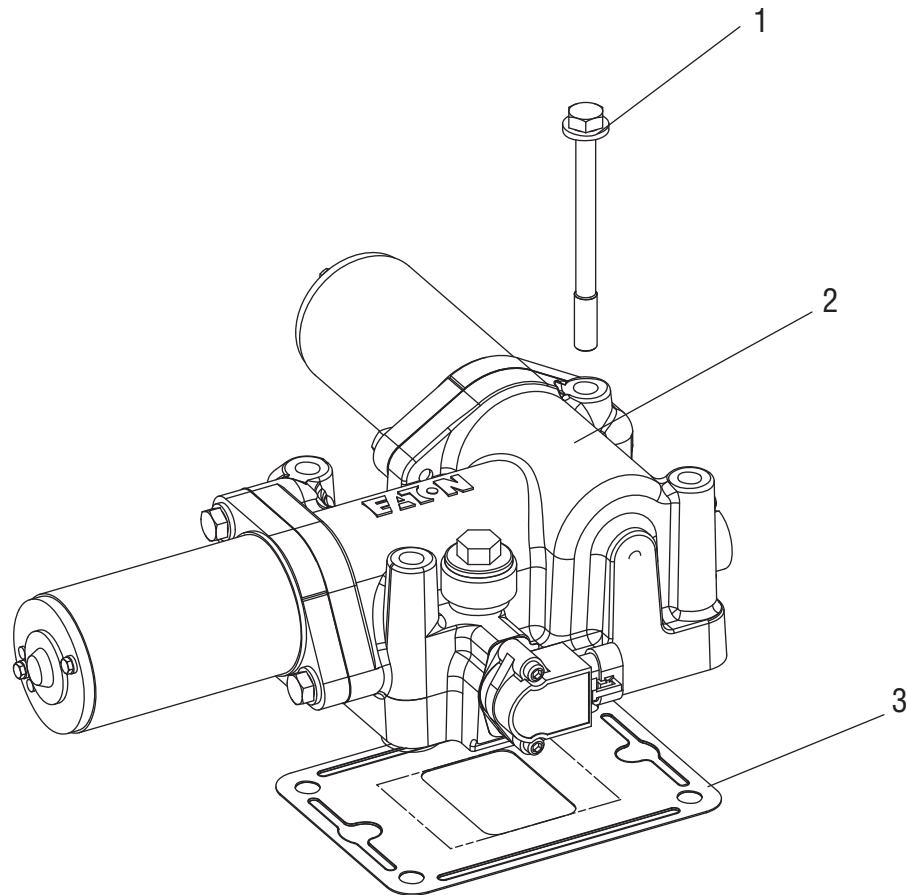
### Special Instructions

None

### Special Tools

Basic hand tools

### Component Identification



1. Cap Screw
2. X-Y Shifter
3. Gasket

## X-Y Shifter Removal

1. Remove cable ties from motor wires. Disconnect Transmission Harness from the Rail Position Sensor and the Gear Position Sensor.



2. Disconnect the Rail Select and Gear Select Motors from the Transmission ECU (TECU).



3. Using a 9/16" socket, remove the 4 mounting cap screws.



4. Remove X-Y Shifter and gasket.



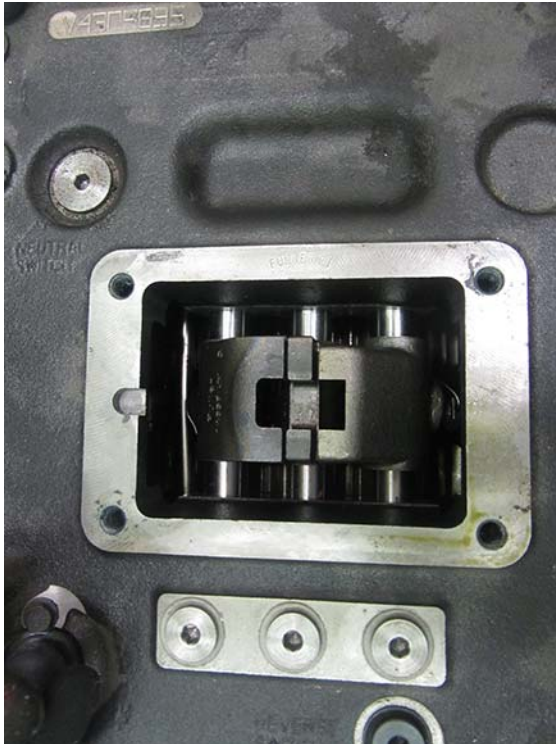
**Warning:** Possible Pinch Point - Ensure battery is disconnected before removing X-Y Shifter.



## X-Y Shifter Installation

1. Ensure Shift Blocks are in the Neutral position, then move Shift Finger to the center (Neutral) location.

**Note:** If the Shift Finger is not properly aligned, the X-Y Shifter will not fit properly at its mounting location.

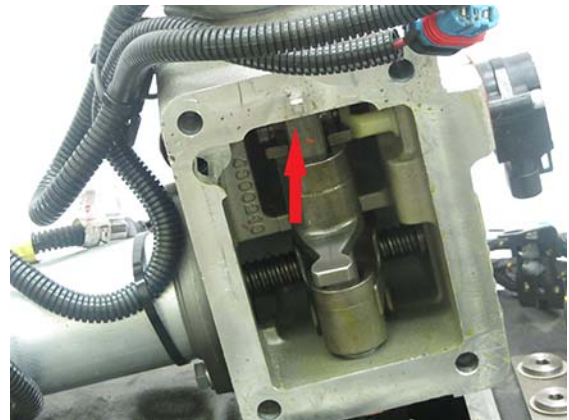


2. Clean and remove old gasket material from Shift Bar Housing. Then, install new gasket on the Shift Bar Housing.

**Note:** Apply Eaton sealant part number 71205 or equivalent to the mounting cap screws before installing.



3. The dowel pin on the X-Y Shifter must be aligned with hole in the Shift Bar Housing.



4. Position X-Y Shifter on the Shift Bar Housing. Using a 9/16" socket, install mounting cap screws and tighten in a cross pattern as follows:

- Tighten to 30–35 lb-ft (45–60 N•m).



5. Reconnect the Rail Position Sensor and Gear Position Sensor.



6. Reconnect the Transmission Harness to the Rail Select and Gear Select Motors. Using cable ties, secure motor wires to the Transmission in their previous position.



7. To operate properly, the system must be calibrated as follows:



**Important:** X-Y Shifter must be calibrated before the vehicle is placed into operation.

- Turn ignition switch on. Allow the Transmission to power up.
- Turn ignition switch off. Wait 2 minutes.

## Range Valve Removal and Installation

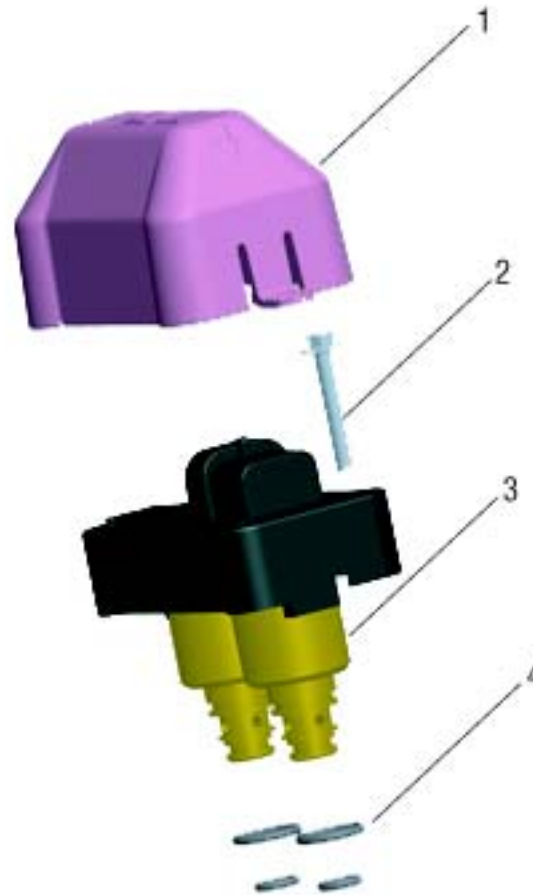
### Special Instructions

The Range Valve may be difficult to remove from the Transmission Housing because of the O-rings.

### Special Tools

Basic hand tools

### Component Identification



1. Protective Cover (Optional)
2. Cap Screw
3. Valve
4. O-rings

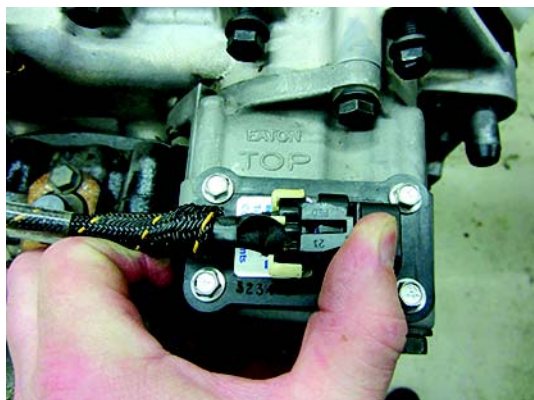
## Range Valve Removal

1. If equipped, remove the Protective Cover by pulling up on the release tab.



2. Relieve system air pressure by draining air tanks on the vehicle. When air pressure has been relieved, disconnect the Transmission Harness from the Range Valve.

**Note:** The harness should be removed from the Range Valve cable tie prior to removing the cap screws.



3. Using a 5/16" socket, remove the 4 mounting cap screws from the Range Valve.



4. Lift and remove the Range Valve from the housing.



**Caution:** Do not use a hammer to loosen the Range Valve in the housing or it could be damaged.



## Range Valve Installation

**!** **Important:** Lubricate O-rings with Eaton Fuller silicone 71214 or equivalent.

**!** **Important:** The valve is keyed to fit its mounting location. Take care to align the key with the notch in the housing.

1. Install and push the Range Valve down into the housing.

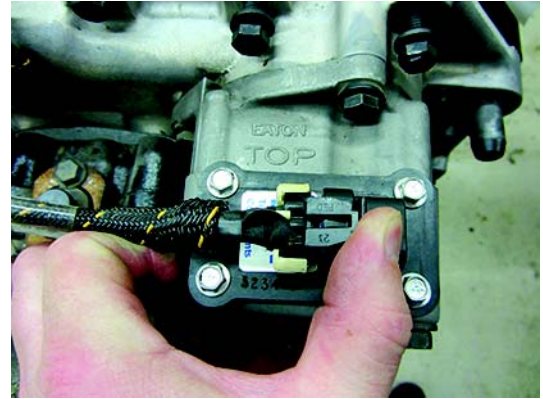


2. Using a 5/16" socket, install the 4 Range Valve mounting cap screws and tighten to 21–27 lb-in (2.3–3.0 N•m) using a cross pattern.



3. Reconnect the Transmission Harness to the Range Valve and close all air tanks drains.

**Note:** Install the Range Harness back into the cable tie on the Range Valve.



4. If equipped, install the Protective Cover. Push the cover down by hand until it snaps into place.





## Output Shaft Speed Sensor Removal and Installation

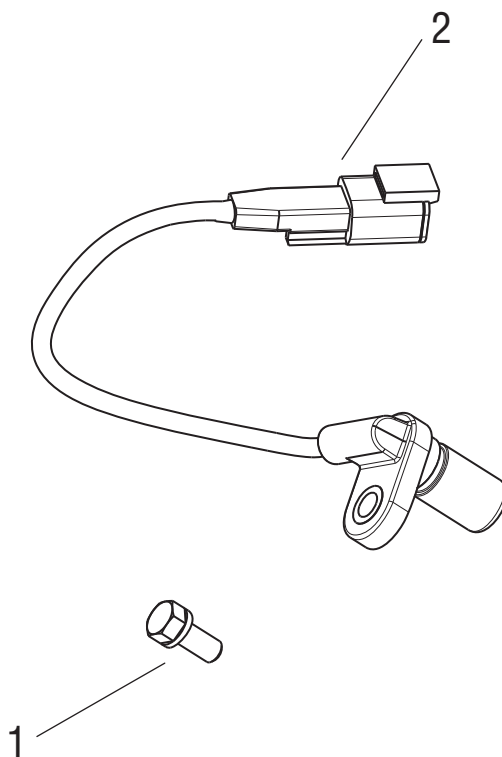
### Special Instructions

The Directional Output Shaft Speed Sensor is used on the Fuller® Advantage model Transmissions. The Output Shaft Speed Sensor location may vary depending on OEM design specifications. The sensor will be located at 10 o'clock on the Output Shaft Housing in heavy-duty models

### Special Tools

Basic hand tools

### Component Identification



1. Cap Screw

2. 2-Way Directional Output Shaft Speed Sensor

## Output Shaft Speed Sensor Removal

1. Disconnect the Transmission Harness from the Output Shaft Speed Sensor pigtail connector.



3. Remove the speed sensor from the Transmission Rear Bearing Cover.



2. Remove the sensor retaining bolt.



## Output Shaft Speed Sensor Installation



**Important:** Lubricate sensor with Eaton lubricant 5564527.

1. Using a smooth, twisting motion, fully insert the Output Shaft Speed Sensor in the Transmission Rear Bearing Cover opening.



2. Install the Retaining Bolt and tighten to 8–10 lb-ft (11–13 N•m).



3. Apply included material to the Sensor Connector terminals.

**Note:** Apply just enough material to cover the end of the terminal.

**Note:** Use only Eaton lubricant 5564527. (Nye Lubricants NYOGEL 760G - For MSDS safety or other information see [www.nyelubricants.com](http://www.nyelubricants.com))

4. Reconnect the Transmission Harness to the Output Shaft Speed Sensor and install the cable tie.



## Input Shaft Speed Sensor Removal and Installation

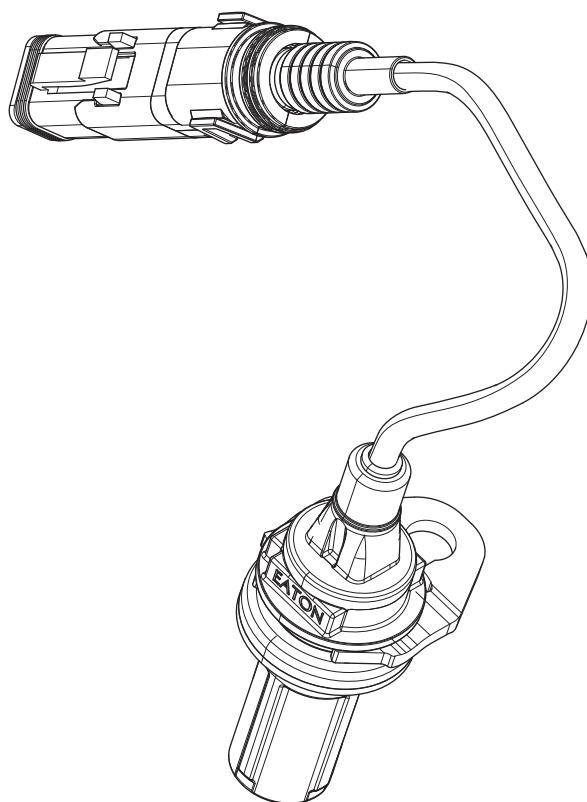
### Special Instructions

None

### Special Tools

Basic hand tools

### Component Identification



#### 1. 2-Way Input Shaft Speed Sensor

## Input Shaft Speed Sensor Removal

1. Disconnect the Transmission Harness from the Input Shaft Speed Sensor or pigtail connector, if equipped.



3. Remove the Input Shaft Speed Sensor, with O-ring, from the Transmission Shift Bar Housing.



2. Using a 3/8" socket, remove the sensor retaining bolt.



## Input Shaft Speed Sensor Installation



**Important:** Clean the mounting surface on the housing and remove any burrs or sharp edges.



**Important:** Lubricate the O-ring with Eaton Fuller silicone 71214 or equivalent.

1. Using a smooth, twisting motion, fully insert the Input Shaft Speed Sensor in the Transmission Shift Bar Housing opening.



2. Using a 3/8" socket, install the retaining bolt and tighten to 8–10 lb-ft (11–13 N•m).



3. Reconnect the Transmission Harness to the Input Shaft Speed Sensor or pigtail connector, if equipped.



## Main Shaft Speed Sensor Removal and Installation

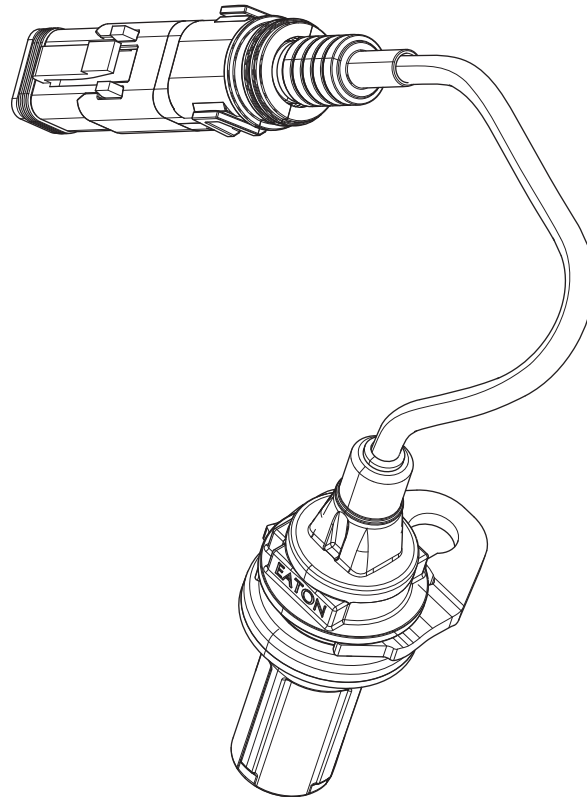
### Special Instructions

None

### Special Tools

Basic hand tools

### Component Identification



#### 1. 2-Way Main Shaft Speed Sensor

## Main Shaft Speed Sensor Removal

1. Disconnect the Transmission Harness from the Main Shaft Speed Sensor pigtail.



3. The clip will not remove from the speed sensor. Remove the Main Shaft Speed Sensor, with O-ring, from the rear of the Shift Bar Housing.




2. Using a 3/8" socket, remove the bolt from the retaining clip.





## Main Shaft Speed Sensor Installation

 **Important:** Clean the mounting surface on the housing and remove any burrs or sharp edges.

 **Important:** Lubricate the O-ring with Eaton Fuller silicone 71214 or equivalent.

1. Use a smooth twisting motion; fully insert the Main Shaft Speed Sensor in the rear Transmission Shift Bar Housing bore



2. Using a 3/8" socket, install the retaining bolt and tighten 7–9 lb-ft (9–12 N•m.)



3. Reconnect the Main Shaft Speed Sensor pigtail to the Transmission Harness.



## Electronic Clutch Actuator (ECA) Speed Sensor Removal and Installation

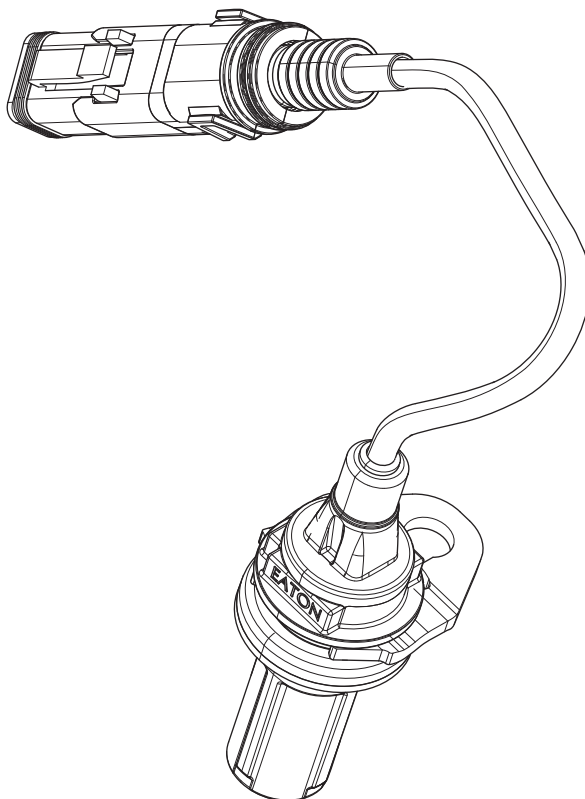
### Special Instructions

None

### Special Tools

Basic hand tools

### Component Identification



1. 2-Way Electronic Clutch Actuator (ECA) Speed Sensor

## ECA Speed Sensor Removal

1. Disconnect the Transmission Harness from the Electronic Clutch Actuator (ECA) Speed Sensor.



2. Using a 6-point reverse torx bit, remove the bolt from the retaining clip.
3. The clip will not remove from the speed sensor. Remove the ECA Speed Sensor with O-ring, from the Clutch Housing.



## ECA Speed Sensor Installation

**⚠ Important:** Clean the mounting surface on the housing and remove any burrs or sharp edges.

**⚠ Important:** Lubricate the O-ring with Eaton Fuller silicone 71214 or equivalent.

1. Using a smooth twisting motion; fully insert the Electronic Clutch Actuator (ECA) Speed Sensor in the Transmission Clutch Housing on the lower left hand side.



2. Using a 6-point reverse torx bit, install the retaining bolt and tighten 7–9 lb-ft (9–12 N•m).



3. Reconnect the ECA Speed Sensor pigtail to the Transmission Harness.



## Rail Position Sensor Removal and Installation

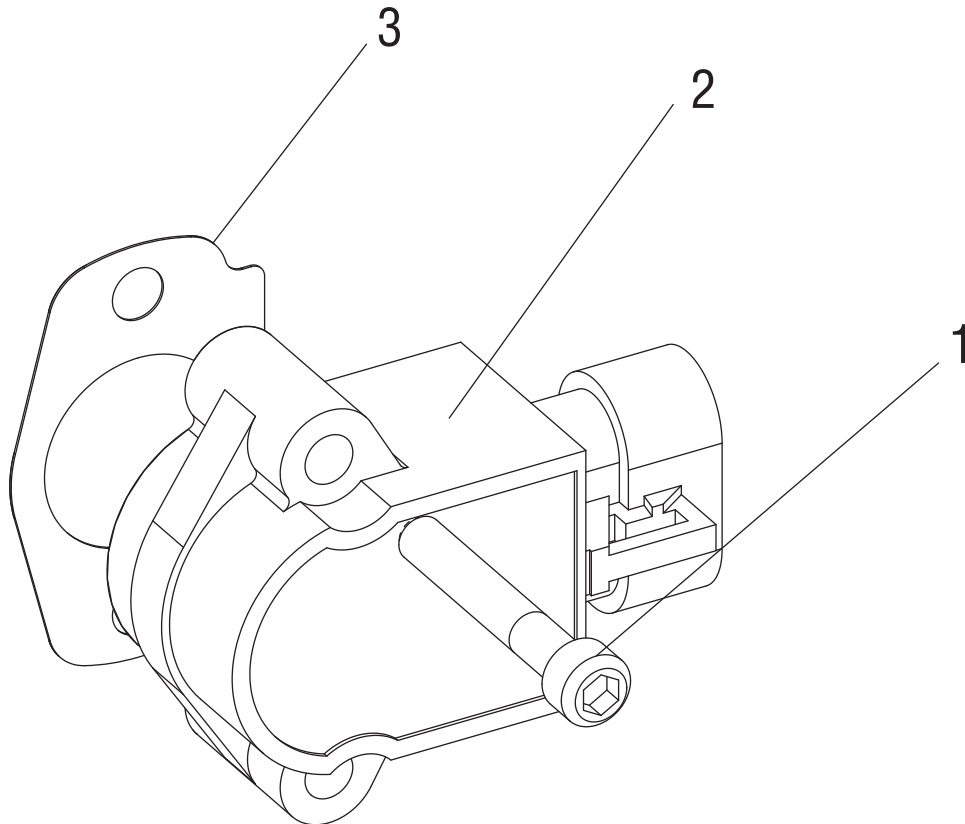
### Special Instructions

None

### Special Tools

Basic hand tools

### Component Identification



1. Cap Screw
2. 3-Way Rail Position Sensor
3. Gasket

## Rail Position Sensor Removal

1. Disconnect the Transmission Harness from the Rail Position Sensor.



2. Using a 5/32" hex key wrench, remove the 2 sensor hex key mounting screws.



**Caution:** Carefully allow the sensor to rotate to a relaxed position, or the sensor can snap when the hex key mounting screws are removed.



3. Remove the Rail Position Sensor and gasket from the housing.



## Rail Position Sensor Installation

1. Align sensor tabs with the slot in the X-Y Shifter Rail. Then, insert the Rail Position Sensor, with gasket, into its mounting location.

**Note:** Install the sensor, so connector opening faces right side of the Transmission. (As viewed from the rear of the transmission)



2. Using a 5/32" hex key wrench, install the 2 hex key mounting screws and tighten to 21–27 lb-in (2.3–3.0 N•m).



**Caution:** Carefully hold sensor in position while installing the hex key mounting screws, or sensor can snap.



3. Reconnect the Transmission Harness to the Rail Position Sensor.



## Gear Position Sensor Removal and Installation

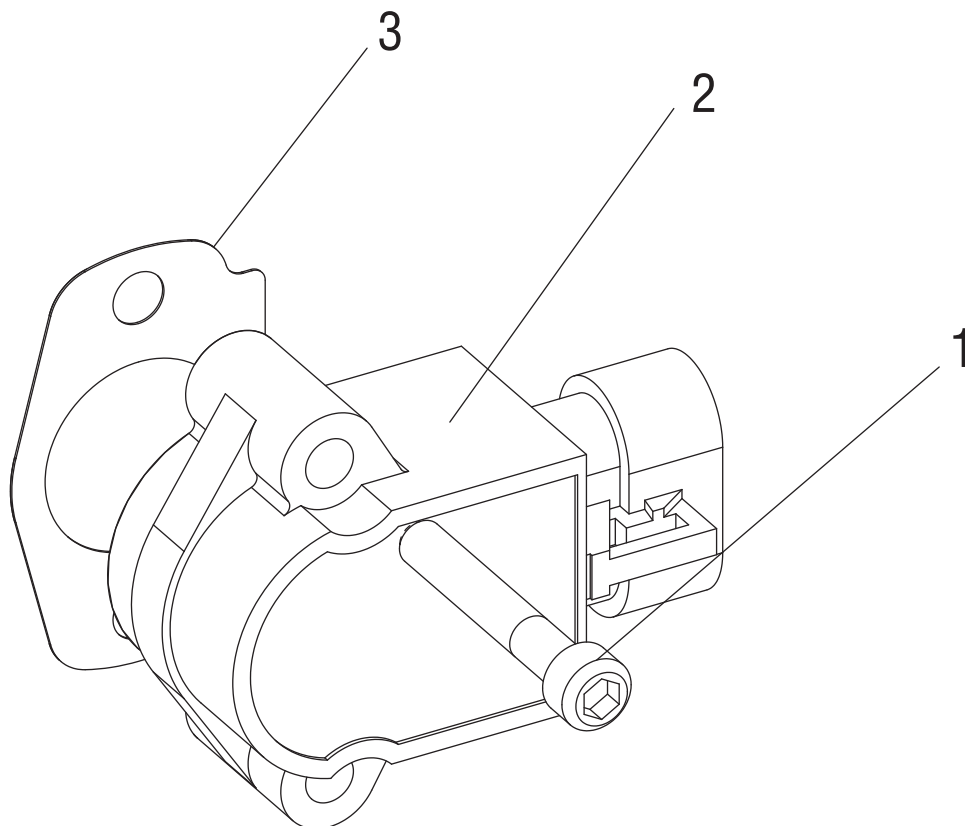
### Special Instructions

None

### Special Tools

Basic hand tools

### Component Identification



1. Cap Screw
2. 3-Way Gear Position Sensor
3. Gasket



## Gear Position Sensor Removal

1. Disconnect the Transmission Harness from the Gear Position Sensor.



2. Using a 5/32" hex key wrench, remove the two (2) sensor hex key mounting screws.

**⚠ Caution:** Carefully allow sensor to rotate to a relaxed position, or sensor can snap when the hex key mounting screws are removed.



3. Remove the Gear Position Sensor and gasket from the housing.



## Gear Position Sensor Installation

1. Align the sensor tabs with the slots in the X-Y Shifter Rail. Then, insert Gear Position Sensor, with gasket, into its mounting location.

**Note:** Install sensor so the connector opening faces the front of the Transmission.



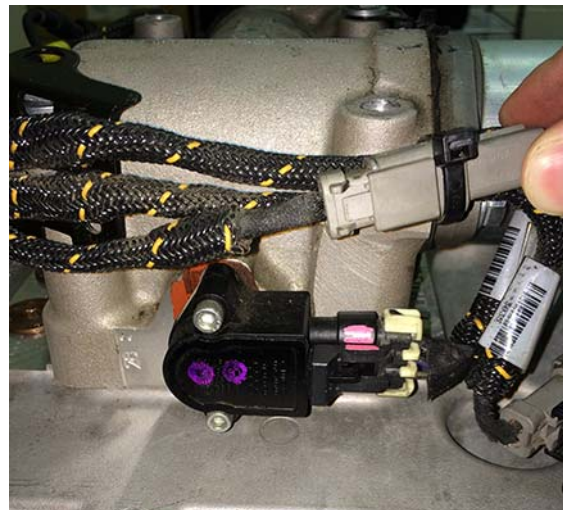
2. Using a 5/32" hex key wrench, install the hex key mounting screws and tighten to 21–27 lb-in (2.3–3.0 N•m).



**Caution:** Carefully hold sensor in position while installing hex key mounting screws, or sensor can snap.



3. Reconnect the Transmission Harness to the Gear Position Sensor.



## Tool Specifications

Some repair procedures pictured in this manual show the use of specialized tools. Their actual use is recommended as they make transmission repair easier and faster and prevent costly damage to critical parts. For the most part, ordinary mechanic's tools such as socket wrenches, screwdrivers, etc., and other standard shop items such as a press, mauls and soft bars are the only tools needed to successfully disassemble and reassemble any Eaton® Fuller® Transmission.

The following tables list and describe the typical tools required to properly service this model transmission above and beyond the necessary basic wrenches, sockets, screwdrivers and pry bars.

### General Tools

The following general tools are available from several tool manufacturers such as Snap-On, Mac, OTC and many others.

Tool	Purpose
0–100 lb-ft (0–135 N•m) 1/2" (12.7 mm) drive Torque Wrench	General torquing of fasteners [typically 15–80 lb-ft (20–108 N•m)]
0–50 lb-in (0–5.62 N•m) 3/8" (9.52 mm) drive Torque Wrench	General torquing of fasteners
0–30 lb-in 1/4" drive Torque Wrench	Torquing of cap screws to 7 lb-in during Auxiliary Counter Shaft Bearing endplay setting procedure
Large Brass Drift 3/4" x 12" (19 mm x 304.8 mm)	Protect shafts and bearings during removal
Large Dead Blow Hammer or Maul 32 ounces	Provide force for shaft and bearing removal
2 Air Pressure Gauges 0–150 PSI (0–10.34 BAR)	Troubleshoot and verify correct operation of air system
Snap Ring Pliers—Large Standard External	Remove the snap rings at Auxiliary Drive Gear, Input Shaft Bearing and Counter Shaft Bearings
Feeler Gauges	Set Main Shaft washer endplay and Auxiliary Tapered Bearing endplay
Rolling Head (Crow's Foot) Pry bar	Remove the Auxiliary Drive Gear Bearing
Universal Bushing Driver	Remove and install Clutch Housing Bushings. Bushing OD = 1.125", ID = 1.000"

## Special Tools

The following special tools are designed for this Eaton® Fuller® Transmission. The address and phone number of the tool supplier are listed after the table. This list is provided as a convenience to our customers. These tools are manufactured by an independent company with no relationship to Eaton® Fuller®. Eaton® Fuller® does not warrant the fit or function of the listed tools. To obtain the tools, contact the tool supplier directly.

Roadranger Tool Number	Tool	Purpose
	Output Yoke Puller	May be required to remove a rusted Output Yoke
RR1006TR	Auxiliary Section Hanger	Support, or hang, the Auxiliary Section in the horizontal position
RR1007TR	Auxiliary Counter Shaft Support and Shim Tool	Hold the Auxiliary Counter Shafts in position while installing the Auxiliary Section in the horizontal position, also to simplify the checking and setting of the Auxiliary Counter Shaft Bearing endplay
RR1012TR-3	Bearing Puller	Remove front section Counter Shaft Bearings
RR1012TR-2	Bearing Driver	Install front section Counter Shaft Bearings
RR1012TR-4	Bearing Driver	Install the front Counter Shaft Rear Bearings
RR1002TR	Counter Shaft Support Tools (2)	Support and locate the front section Counter Shafts during bearing removal and installation
RR1005TR	Input Bearing Driver	Install Input Bearing on Input Shaft
RR1012TR-5	Bearing Driver	Install the Auxiliary Counter Shaft Tapered Bearings
RR1004TR	Main Shaft Hook	Assist in lifting of Main Shaft from front section
RR1023TR	Input Bearing Puller	Remove Input Bearing
RR1011TR	Bearing Race Puller	Remove the Auxiliary Counter Shaft Tapered Bearing Outer Races
RR1001TR	Output Seal Driver	Install Output Seal
RR1001TR-1	Output Seal Slinger Driver	Install Output Seal Slinger

## Eaton® Aftermarket Parts

local Eaton® parts distributor.

The following tools are available through Eaton® Aftermarket Parts. To obtain any of the tools listed, contact your

Eaton Tool Number	Tool	Purpose
4301157 included in kit K-2394	5/32" Air Line Release Tool	Remove 5/32" air lines from push-to-connect fittings
4301158 included in kit K-2394	Air Line Cutting Tool	Cut plastic air lines smoothly and squarely

---

## Special Tools Manufacturer

Below is the address and phone number of the company that makes tools specifically for Eaton® Fuller® Transmissions:

K-Line Tools

315 Garden Ave.

Holland, MI 49424

800-824-5546

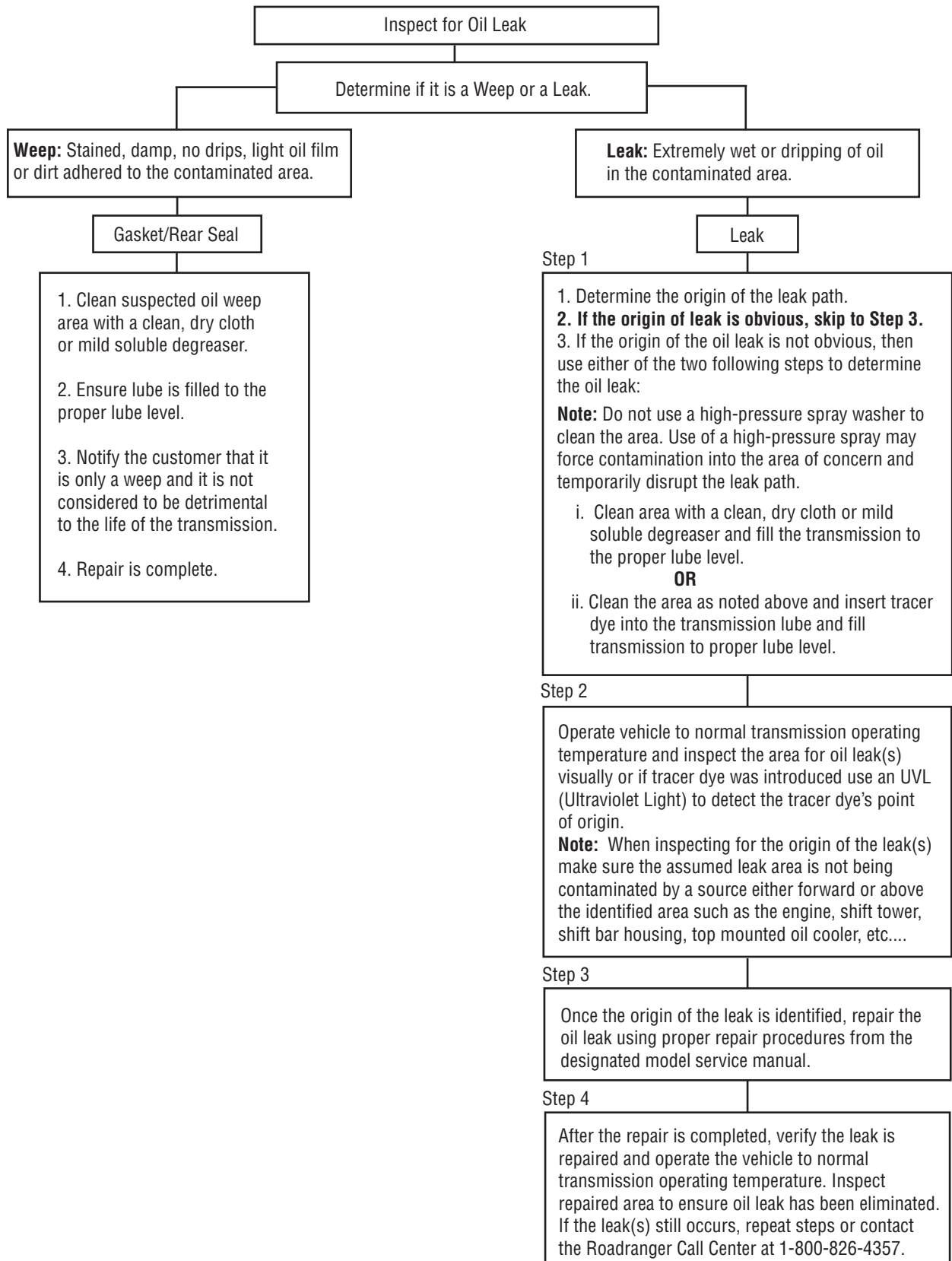
[www.klineind.com](http://www.klineind.com)

## Shop Equipment

The following tool will be needed to complete the removal and installation of the Eaton® Fuller® Transmission.

- 20-ton capacity press

# Oil Leak Inspection Process



## Inspection Procedure

Before reassembling the transmission, check each part carefully for abnormal wear, excessive wear or damage to determine if the part is suitable for reuse. When replacement is necessary, use only genuine Eaton® Fuller® Transmission parts to assure continued performance and extended life from your unit.

Since the cost of a new part is generally a small fraction of the total cost of downtime and labor, avoid reusing a questionable part. This could lead to additional repairs and expense soon after assembly. Consideration should also be given to the history of the unit, mileage, application, etc., when determining the reuse or replacement of any transmission part.

### Bearings

- Wash all bearings in clean solvent. Check balls, rollers and raceways for pitting, discoloration and spalled areas.
- Replace bearings that are pitted, discolored, spalled or damaged during disassembly
- Lubricate bearings that are not pitted, discolored or spalled and check for axial and radial clearances.
- Replace bearings with excessive clearances.
- Check bearing fit. Bearing inner races should be tight to shaft; outer races slightly tight to slightly loose in case bore. If the bearing spins freely in the bore, the case should be replaced.

### Bearing Covers

- Check covers for wear from thrust of adjacent bearing. Replace covers damaged from thrust of bearing outer race.
- Check cover bores for wear. Replace those worn or oversized.

### Clutch Release Parts

- Replace yokes worn at cam surfaces and bearing carrier worn at contact pads.
- Check pedal shafts. Replace those worn at bushing surfaces.

### Gears

- Check gear teeth for frosting and pitting. Frosting of gear teeth faces presents no threat of transmission failure. Often in continued operation of the unit, frosted gears “heal” and do not progress to the pitting stage. In most cases, gears with light to moderate pitted teeth have considerable gear life remaining and can be reused, but gears in the advanced stage of pitting should be replaced.
- Check gears with clutching teeth abnormally worn, tapered or reduced in length from clashing during shifting. Replace gears found in any of these conditions.
- Check axial clearance of gears.

### Gear Shift Lever Housing Assembly

- Check spring tension on Shift Lever. Replace tension spring if lever moves too freely. If housing is disassembled, check the Gear Shift Lever bottom end and shift finger assembly for wear.

### Gray Iron Parts

- Check all gray iron parts for cracks and breaks.
- Replace damaged parts.

### Oil Return Threads and Seals

- Check oil return threads on the Input Shaft. If return action of threads has been destroyed, replace the Input Shaft.
- Check oil seal in Rear Bearing Cover. If sealing action of lip has been destroyed, replace seal.

### O-Rings

- Check all O-rings for cracks or distortion. Replace if worn.

### Reverse Idler Gear Assemblies

- Check for excessive wear from action of roller bearings.

### Shift Bar Housing Assembly

- Check for wear on shift yokes and block at pads and lever slot. Replace excessively worn parts.



- Check yokes for correct alignment. Replace sprung yokes.
- If housing has been disassembled, check shift shaft and all related parts for wear.

### **Sliding Clutches**

- Check all shift yokes and yoke slots in sliding clutches for extreme wear or discoloration from heat.
- Check engaging teeth of sliding clutches for partial engagement pattern.

### **Splines**

- Check splines on all shafts for abnormal wear. If sliding clutch gears, companion flange or clutch hub has wear marks in the spline sides, replace the specific shaft affected.

### **Synchronizer Assembly**

- Check Synchronizer for burrs, uneven and excessive wear at contact surface, and metal particles.
- Check blocker pins for excessive wear or looseness.
- Check Synchronizer contact surfaces on the Synchronizer cups for wear.

### **Washers**

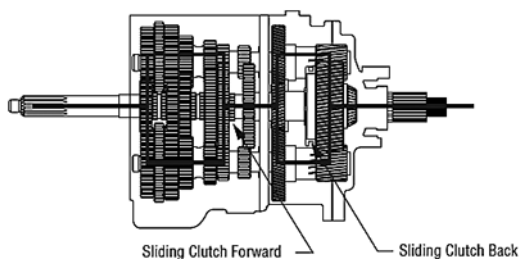
- Check surfaces of all washers. Washers scored or reduced in thickness should be replaced.

## Power Flow

### Front Section Power Flow

**Note:** The heavy lines in the image below outline the power flow description below.

1. Power (torque) from the engine is transferred to the transmission's Input Shaft.
2. The Input Shaft rotates the Main Drive Gear through internal splines in the hub of the gear.
3. The Main Drive Gear meshes with both Counter Shaft driven gears, and the torque is split between both Counter Shafts.
4. Because the Counter Shaft gears are in constant mesh with the Main Shaft gears, all the front section gearing rotates. However, only the engaged Main Shaft gear will have torque. External clutching teeth on the sliding clutch will engage internal clutching teeth on the selected Main Shaft gear. Torque will now be provided from both opposing Counter Shaft gears, into the engaged Main Shaft gear, and through the sliding clutch to the front section Main Shaft.
5. The rear of the front section Main Shaft is splined into the Auxiliary Drive Gear, and torque is now delivered to the Auxiliary Section.

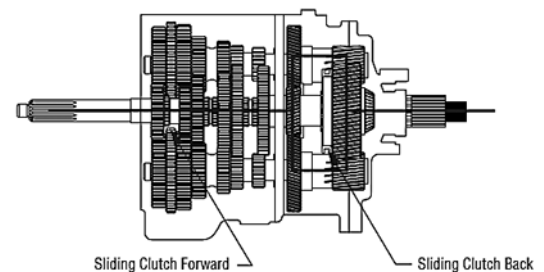


Front Section Torque (1st Gear)

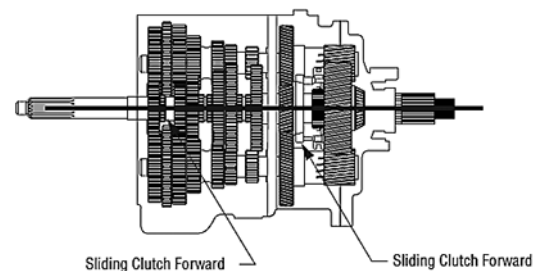
### Front Section Power Flow - Direct Gear

In direct gear (5th/10th for FA model, 4th/9th for FAO model), the front sliding clutch is moved forward and engages into the back of the Main Drive Gear. Torque will flow from the Input Shaft to the Main Drive Gear, Main Drive Gear to sliding clutch, sliding clutch straight into the front section Main Shaft which delivers the torque to the Auxiliary Drive Gear.

**Note:** All Counter Shaft and Main Shaft gears will rotate, but not all gears will be loaded.



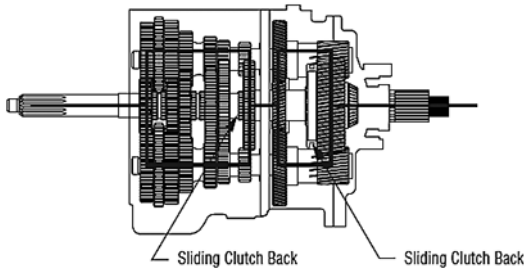
5th Gear FM, 4th Gear FO & FOM



10th Gear FM, 9th Gear FO & FOM

**Front Section Power Flow - Reverse Gear**

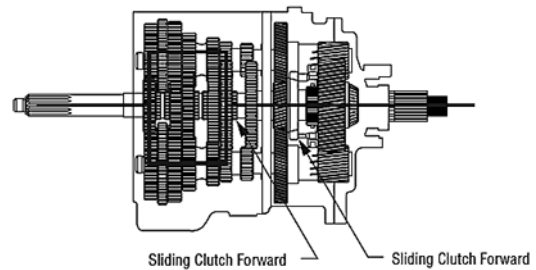
Torque will flow from the Counter Shafts to the Reverse Idler gears. Torque will then flow from the Reverse Idler gears to the Main Shaft Reverse Gear. Torque will now travel through the Main Shaft Reverse Gear, the sliding clutch in the Reverse position and then to the Main Shaft and Auxiliary Drive Gear



Reverse Gear—Low Range

**Auxiliary Section Power Flow - High Range**

If the Auxiliary Section is in high range, the Range Sliding Clutch is forward and engaged into the back of the Auxiliary Drive Gear. Torque will flow from the Auxiliary Drive Gear to the Range Sliding Clutch. Because the Range Sliding Clutch has internal splines which connect to the Output Shaft, torque will flow straight through the Auxiliary Section.

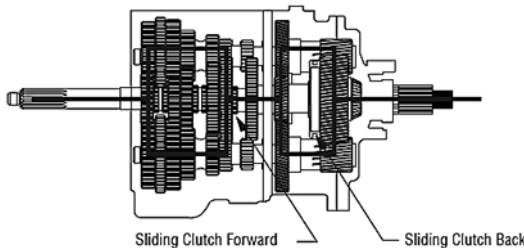


High Range (Auxiliary Sliding Clutch Forward)

**Auxiliary Section Power Flow - Low Range**

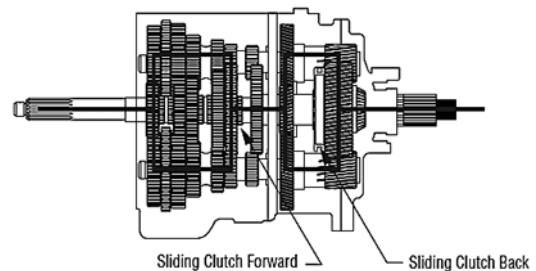
The Auxiliary Drive Gear transfers torque to both Auxiliary Counter Shafts.

If the Auxiliary Section is in low range, the Range Sliding Clutch is rearward and engaged into the Auxiliary Main Shaft Reduction Gear, through the Range Sliding Clutch and then into the Output Shaft (Auxiliary Main Shaft).

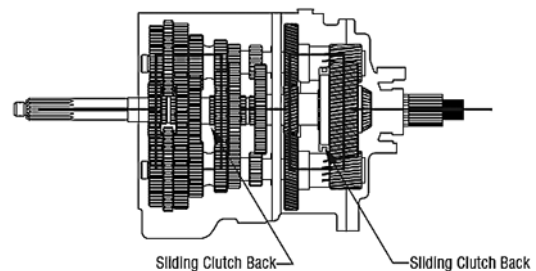


Low Range (Auxiliary Sliding Clutch Back)

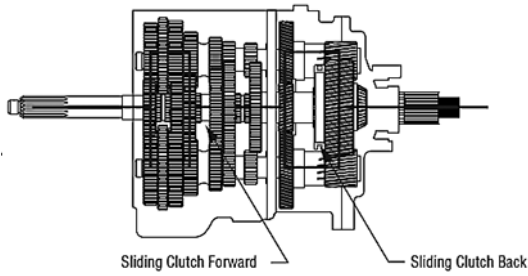
**FM/FO/FOM**



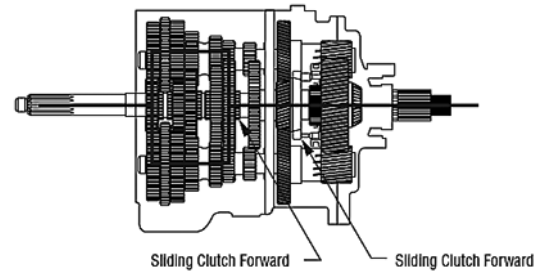
1st Gear



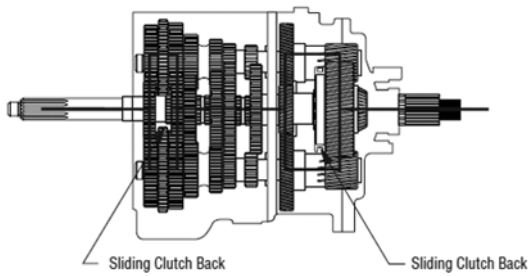
2nd Gear



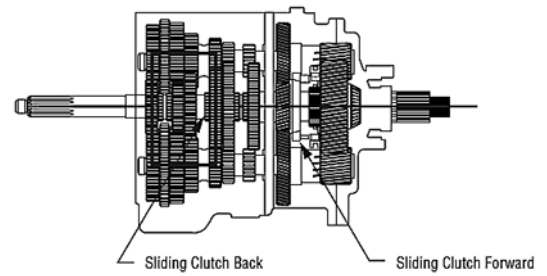
3rd Gear



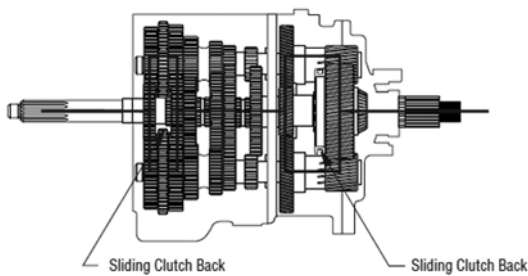
6th Gear



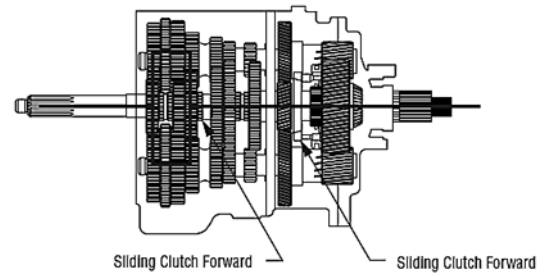
4th Gear—FM/Direct Drive Transmission  
5th Gear—FO & FOM/Overdrive Transmission



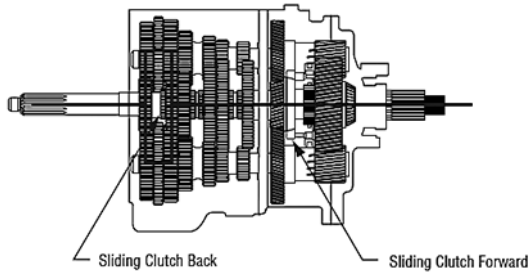
7th Gear



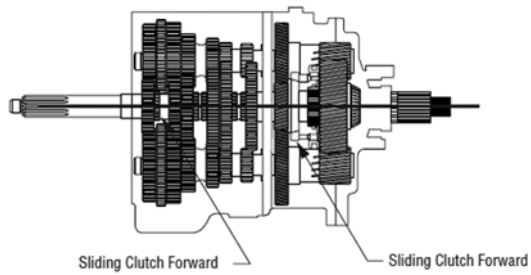
5th Gear—FM/Direct Drive Transmission  
4th Gear—FO & FOM/Overdrive Transmission



8th Gear



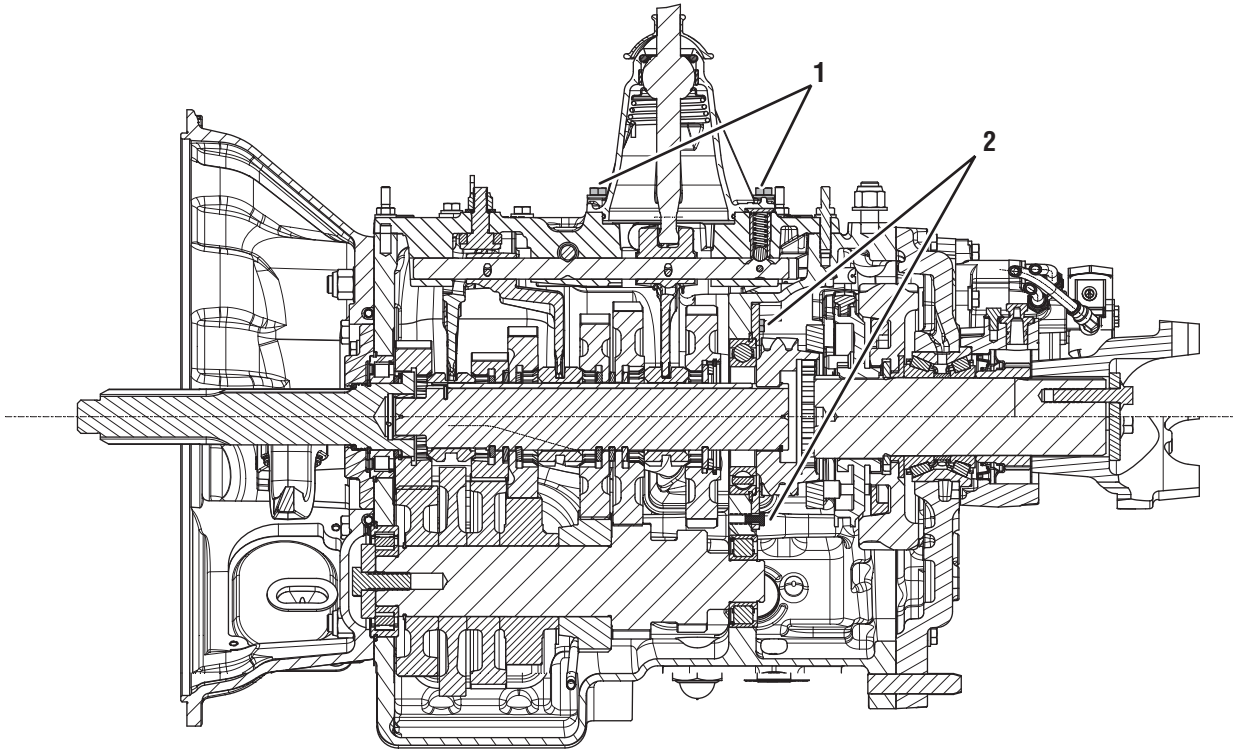
9th Gear—FM/Direct Drive Transmission  
10th Gear—FO & FOM/Overdrive Transmission



10th Gear—FM/Direct Drive Transmission  
9th Gear—FO & FOM/Overdrive Transmission

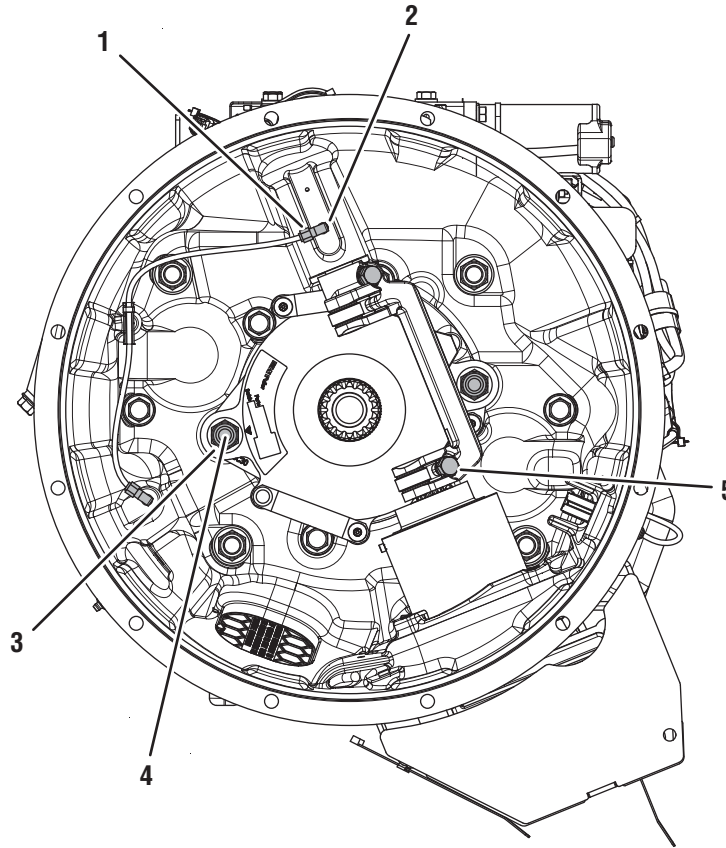
## Torque Specifications

**!** **Important:** Torque specifications not defined in the following diagrams will be referenced in the service procedures.



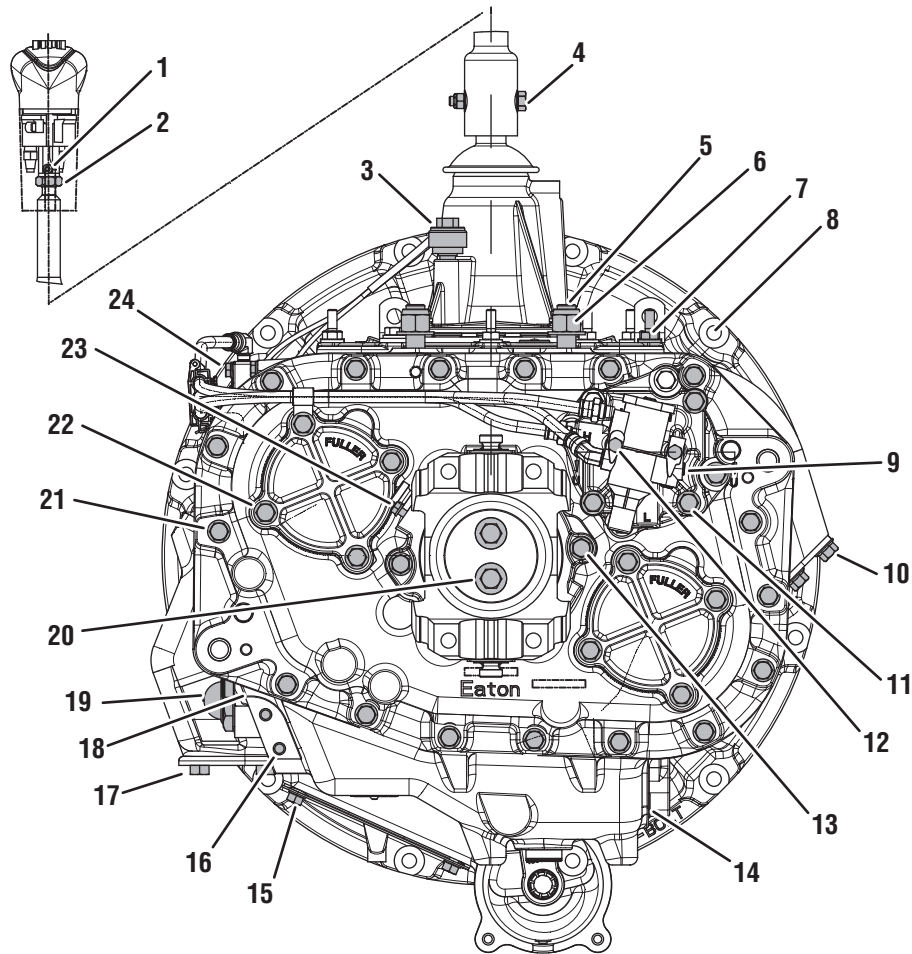
	Description	Qty.	Size	TPI	Torque
1.	XY Shifter Cap Screws	4	0.375"	16	30–40 lb-ft (41–54 N•m)
2.	Auxiliary Drive Gear Bearing Retainer Cap Screws	6	0.375"	16	35–45 lb-ft (48–61 N•m)

## Torque Specifications



	Description	Qty.	Size	TPI	Torque
1.	Grease Hose Compression Nuts	2			3–5 lb-ft (0.34–0.56 N•m)
2.	Grease Hose Elbow Fittings	2	0.25"	18 NPTF	84–120 lb-ft (9.5–13.6 N•m)
3.	LCIB Nuts	2	0.625"	18	140–150 lb-ft (190–203 N•m)
4.	LCIB Studs	2	0.625"	18 UNC	60 lb-ft (81 N•m) Drive studs until bottomed
5.	Release Yoke Pinch Bolts	2	0.4375"	14	35–45 lb-ft (47–61 N•m)

## Torque Specifications LAS/VAS



	Description	Qty.	Size	TPI	Torque
1.	Skirt Attachment Screw	1	#8	32	18–24 lb-in (2–2.7 N•m)
2.	Master Valve Jam Nut	1	0.50"	13	20–25 lb-ft (27–34 N•m)
3.	Air Breather	1	0.125"	18 NPTF	25–30 lb-in (2.8–3.3 N•m)
4.	Shift Shoulder Bolt and Nut	1	0.3125"	18	10–12 lb-ft (4–16 N•m)
5.	Support Studs	2	0.625"	11	80 lb-ft (81 N•m)
6.	Support Stud Nuts	2	0.625"	18	140–150 lb-ft (190–203 N•m)
7.	Double Ended Stud		0.375"	16	35–45 lb-ft (48–61 N•m)
8.	Clutch Housing to OEM Flywheel Housing Interface				See OEM for torque specification
9.	Range/Filter Regulator Plugs	3	0.125"	27 PTF	84–120 lb-in (9.5–13.6 N•m)
10.	6-Bolt PTO Cover Cap Screws	6	0.375"	16	40–45 lb-ft (54–61 N•m)
11.	Range Shift Cylinder Cover Cap Screws	4	0.375"	16	30–35 lb-ft (41–47 N•m)



	Description	Qty.	Size	TPI	Torque
12.	Air Filter Regulator Cap Screws	2	0.25"	20	8–12 lb-ft (11–16 N•m)
13.	Rear Bearing cover Cap Screws	6	0.375"	16	30–35 lb-ft (41–47 N•m)
14.	Thermocouple Plug	1	0.50"		40–50 lb-ft (54–67 N•m)
15.	Hand Hole Cover Cap Screws	4	0.321"	18	14–18 lb-ft (19–24 N•m)
16.	Provision for PTO Bracket	2	0.375"	16	30–35 lb-ft (41–47 N•m)
17.	8-Bolt PTO Cover Cap Screws	8	0.4375"	14	50–65 lb-ft (68–88 N•m)
18.	Oil Fill Plug	1	1.0625"	12	35–50 lb-ft (47–67 N•m)
19.	Oil Level Sight Glass Plug	1	0.625"	12	60–70 lb-ft (82–95 N•m)
20.	Output Yoke Retainer Bolts	2	M12	1.25	84–92 lb-ft (113–124 N•m)
21.	Auxiliary Housing Cap Screws	19	0.375"	16	35–45 lb-ft (48–61 N•m)
22.	Auxiliary Counter Shaft Rear Bearing Cover Cap Screws	8	0.375"	16	30–35 lb-ft (41–47 N•m)
23.	Speed Sensor Retaining Bolt	1	0.25"	20	8–12 lb-ft (11–16 N•m)

## Lubrication Specifications



**Caution:** Do not introduce additives and friction modifiers.



**Caution:** Never mix standard oils and synthetic transmission oils in the same transmission. When switching between types of lubricants, all areas of each affected component must be thoroughly drained.



**Caution:** Do not mix lubricants of different grades.

**Note:** For a list of Eaton Approved Synthetic Lubricants, see TCMT0021 Roadranger Lubricant Products or call 1-800-826-HELP (4357).

**Note:** The use of lubricants not meeting these requirements will affect warranty coverage.

**Note:** For lubrication change and inspection intervals, see TCMT0021 Roadranger Lubricant Products.

**Note:** Please refer to CLSM0200 Eaton Heavy-Duty Clutches for clutch lubrication and service guidelines.

### Buy From a Reputable Dealer

For a complete list of approved and reputable dealers, write to:

Eaton, Worldwide Marketing Services

P.O. Box 4013

Kalamazoo, MI 49003

### Transmission Operating Angles

If the transmission operating angle is more than 12 degrees, or approximately a 21% grade, improper lubrication will occur. The operating angle is the transmission mounting angle in the chassis plus the percent of upgrade (expressed in degrees).

For operating angles over 12 degrees, the transmission must be equipped with an oil pump or cooler kit to ensure proper lubrication.

Transmission filters should be changed during regular lubrication intervals. Inspection of the transmission filter should be conducted during preventative maintenance checks for damage or corrosion. Replace as necessary.

### Operating Temperatures

Transmissions must not be operated at temperatures that are consistently above 250°F (121°C). Operation at temperatures above this limit causes loaded gear tooth temperatures to exceed 350°F (177°C) which will ultimately destroy the heat treatment of the gears.

The following conditions, in any combination, can cause operating temperatures that exceed 250°F (120°C):

- Operating consistently at high loads/slow speeds
- High ambient temperatures
- Restricted air flow around the transmission
- Exhaust system too close to the transmission
- High horsepower operation
- Use of engine retarders

### Maintenance and Lubricant Change Intervals

Transmission inspections and lubricant changes are outlined below.

For a list of Eaton Roadranger-approved lubricants, see TCMT0020 Roadranger Lubricant Products.

Interval	Description
First 1,000 to 1,500 miles	Inspect oil levels. Check for leaks.
Every 2,500 miles	Inspect lubricant level. Perform Transmission Inspection.
Every 5 years or 500,000 miles, whichever occurs first	Change oil and filters.

## Clutch Greasing Guidelines

To ensure long life and proper operation of the Release Mechanism of the clutch, it is important to properly lubricate the following areas.

### Lubrication

1. Release Bearing: The cast iron bearing housing will be equipped with either a standard grease fitting or a lubrication tube extension. If a lubrication tube is not present, it is necessary to remove the inspection cover to gain access to the grease fitting. Apply grease until it purges from the rear of the housing. Grease on the Transmission Input Shaft will extend the life of the bronze bushings inside the release sleeve.



2. Release Bearing Wear Pads: Where the Release Fork contacts the bearing housing, there are small hardened steel pads. Apply a small amount of grease to the wear pads where the Clutch Release Fork contacts.
3. Low Capacity Inertia Brake (LCIB): The LCIB does not require lubrication for proper functionality.
4. Cross Shaft Bushings: Lubricate both the left and the right Cross-Shaft Bushings per OEM recommendations.
5. Clutch Control Linkage: Lubricate the clutch linkage bell cranks and pivot pins per OEM recommendations.

6. Pilot Bearing: The pilot bearing inside the flywheel is a sealed for life bearing and requires no lubrication. Use a premium pilot bearing to prevent clutch drag and early bearing failures (C-3, C-4, C-5 Suffix).

### Recommended Lubrication



**Caution:** Incorrect grease and improper lube procedures will cause bearing failures, bushing wear-out, and yoke tip and bearing wear pad wear.



**Important:** Eaton recommends the use of Roadranger EP2 for release bearing lubrication, or an equivalent Lithium Complex, NLGI #2 or #3 grease with an NLGI LB/GC performance rating and a dropping Point temperature of 220 °C (428 °F) or higher. Failure to use the proper grease may affect bearing life and void the warranty coverage on your Eaton product.

### Lubrication Interval

For recommended lubrication intervals, see Manual TCMT0021, Roadranger Lubricant Products, or call 1-800-826-HELP (4357).

## Grade Sensor Calibration

The Transmission Electronic Control Unit (TECU) uses a Grade Sensor to calculate vehicle incline or grade. The grade position is used for the Hill Start Aid (HSA) feature and provides information to assist in vehicle launch and shifting. The Grade Sensor is internal to the TECU. Fault Code 68 FMI 13 indicates a Grade Sensor Calibration is required.

The Grade Sensor is calibrated via ServiceRanger or an Operator-Triggered Procedure.

**Note:** Verify the following prior to performing the Grade Sensor Calibration with ServiceRanger or the Operator Triggered Procedure:

1. Vehicle must be on level ground before initiating the grade sensor calibration.
2. Verify the suspension is fully aired.
3. Verify the suspension is set to proper height.
4. Ground surface must be within +/- 0.5% grade (0.28 degrees) from level.
5. Maximum allowable grade is +/- 0.5 degrees (0.87% grade) from level.

4. Select Upshift Requests until the Display indicates "6".
5. Depress and hold the Accelerator Pedal to the floor.
6. When the Display indicates a "Down Arrow", release the Accelerator Pedal.
7. When the Display indicates "0", select Neutral mode.
8. Key off and allow the TECU to perform a complete power down sequence.

## ServiceRanger Procedure

1. Set vehicle parking brake and chock wheels.

**Note:** Verify vehicle is parked on level ground and the suspension is fully aired (if equipped) and set to proper ride height.

2. Key on with engine off.
3. Connect ServiceRanger.
4. Go To "Service Routines."
5. Select "Start" Grade Sensor Calibration.
6. Follow on-screen prompts.

## Operator-Triggered Procedure

1. Set vehicle parking brake and chock wheels.

**Note:** Verify vehicle is parked on level ground and the suspension is fully aired (if equipped) and set to proper ride height.

2. Key on with engine off.
3. Select Low mode with the Transmission Driver Interface Device.

Copyright Eaton, 2020.

Eaton hereby grant their customers, vendors, or distributors permission to freely copy, reproduce and/or distribute this document in printed format. It may be copied only in its entirety without any changes or modifications. THIS INFORMATION IS NOT INTENDED FOR SALE OR RESALE, AND THIS NOTICE MUST REMAIN ON ALL COPIES.

**Note:** Features and specifications listed in this document are subject to change without notice and represent the maximum capabilities of the software and products with all options installed. Although every attempt has been made to ensure the accuracy of information contained within, Eaton makes no representation about the completeness, correctness or accuracy and assumes no responsibility for any errors or omissions. Features and functionality may vary depending on selected options.

**For spec'ing or service assistance, call 1-800-826-HELP (4357) or visit [www.eaton.com/roadranger](http://www.eaton.com/roadranger). In Mexico, call 001-800-826-4357.**

Roadranger: Eaton and trusted partners providing the best products and services in the industry, ensuring more time on the road.

**Eaton**  
Vehicle Group  
13100 E. Michigan Ave.  
Galesburg, MI 49053 USA  
800-826-HELP (4357)  
[www.eaton.com/roadranger](http://www.eaton.com/roadranger)

Printed in USA



BACKED BY  
**Roadranger**  
SUPPORT

Eaton  
1111 Superior Ave.  
Cleveland, OH 44114

**Pro Gear and Transmission, Inc | [www.progearandtransmission.com](http://www.progearandtransmission.com) | [www.pgtruckparts.com](http://www.pgtruckparts.com)  
906 West Gore St, Orlando, FL, 32805 | +1 (877)-776-4600 | +1 (407)-872191 | [parts@eprogear.com](mailto:parts@eprogear.com)**