

Meritor MTC-3206-FV (TC-38) Transfer case Parts Manual

Pro Gear Meritor MTC-3206-FV (TC-38) Transfer case Parts Manual to assist in identifying your Meritor unit.

If you need any assistance identifying the correct transfer case unit for your truck and equipment, contact your Meritor replacement part specialists at Pro Gear and Transmission.

Pro Gear Transmission has same day shipping and 1000's of products in stock and ready to ship internationally for your next project.

For parts or service contact the Meritor specialists at Pro Gear & Transmission, Inc.

1 (877) 776-4600
(407) 872-1901
parts@eprogear.com

July 2021

MTC-3206-FV (TC-38) TRANSFER CASE

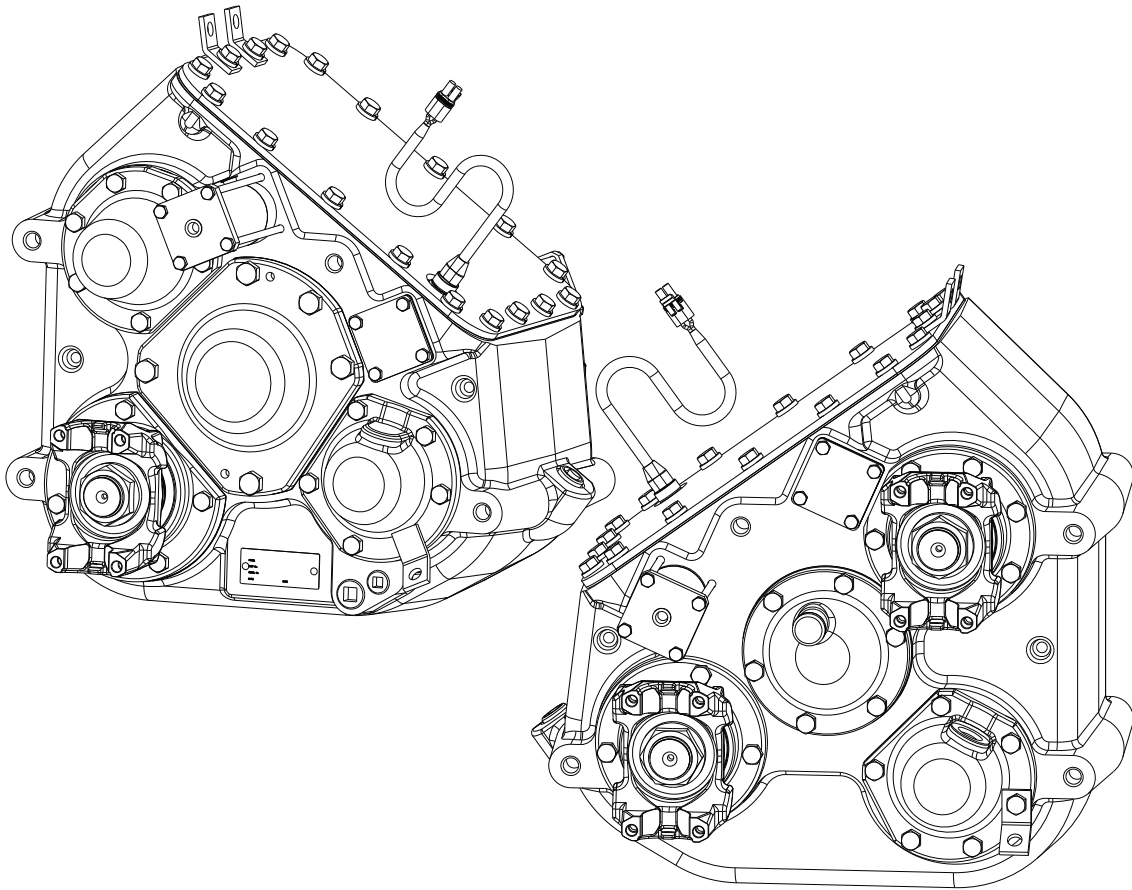
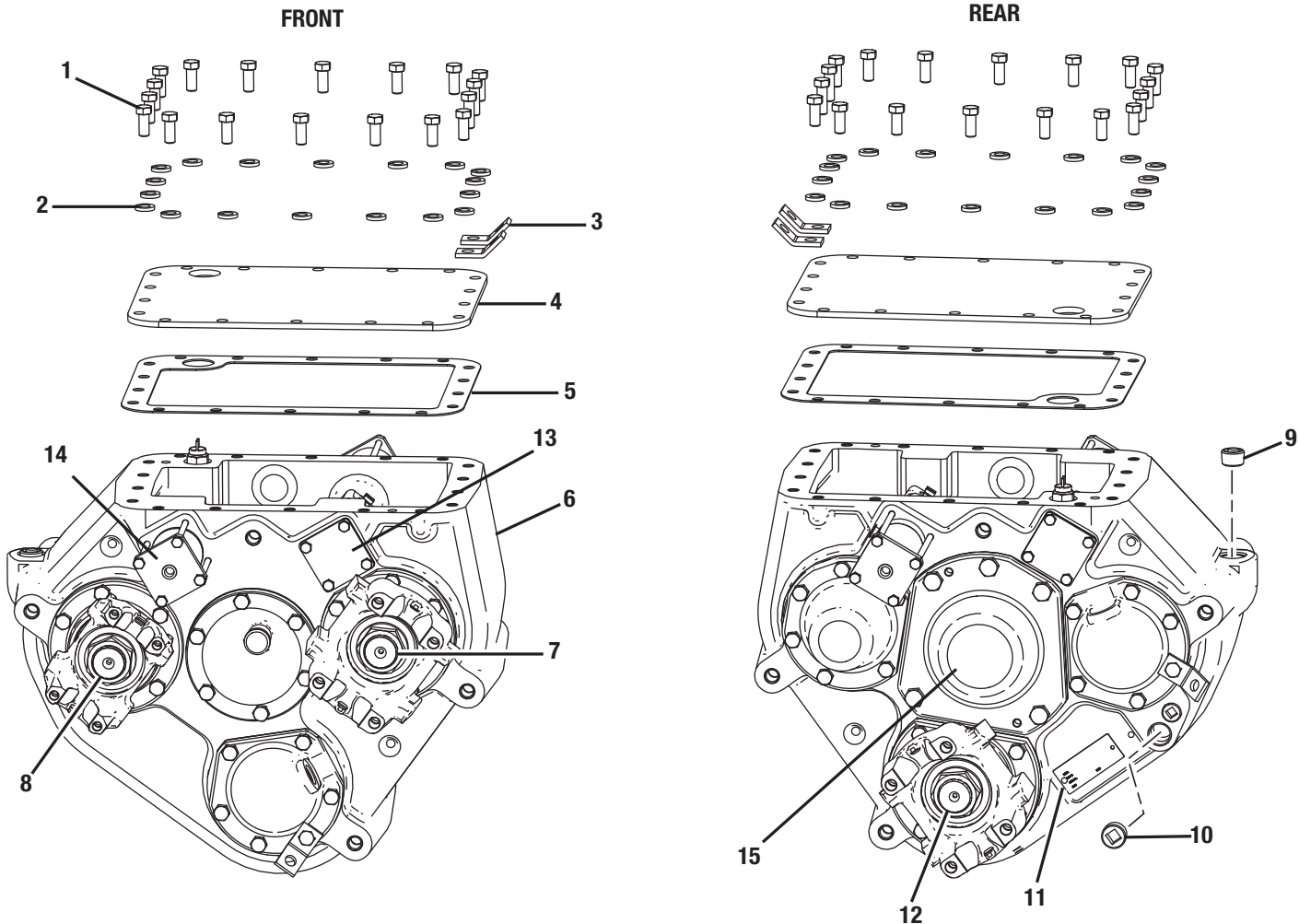


Table of Contents

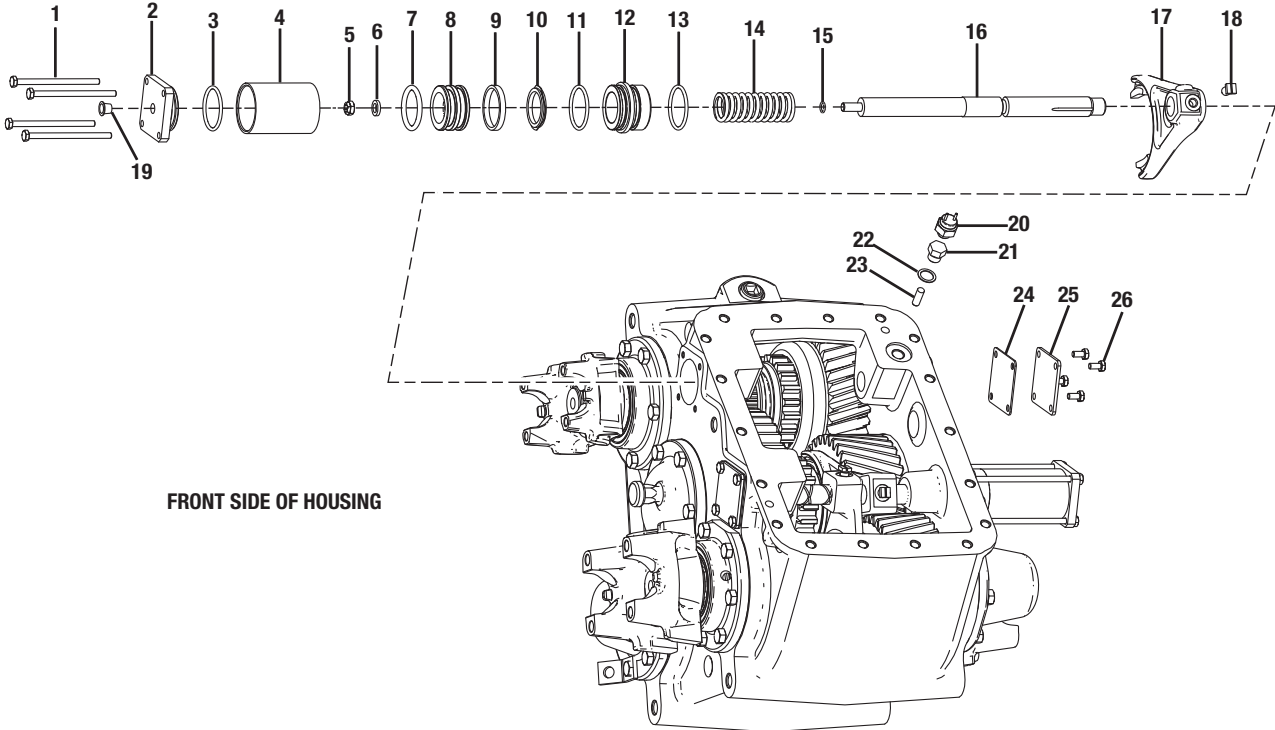
Housing	1
Front Drive Declutch Shift	3
High Underdrive Shift Assembly.....	5
Input Shaft Assembly	7
Front Output Shaft Assembly.....	9
Intermediate Shaft	11
Rear Output Shaft.....	13

Housing



Item	Description	Qty	Part Number
1	Capscrew	18	265-0238
2	Washer	18	927-0749
3	Bracket, Lifting	4	273-0687
4	Cover	1	793-0377
5	Gasket	1	427-0464
6	Housing	1	478-0254-002
7	Inpute Shaft	1	-
8	Front Output Shaft	1	-
9	Plug - 3/4 NPT SQ Socket	1	758F-0229
10	Plug - 3/4 NPT SQ Socket HD	1	758F-0274
11	Indentification Tag	1	2297P7452
12	Rear Output Shaft	1	-

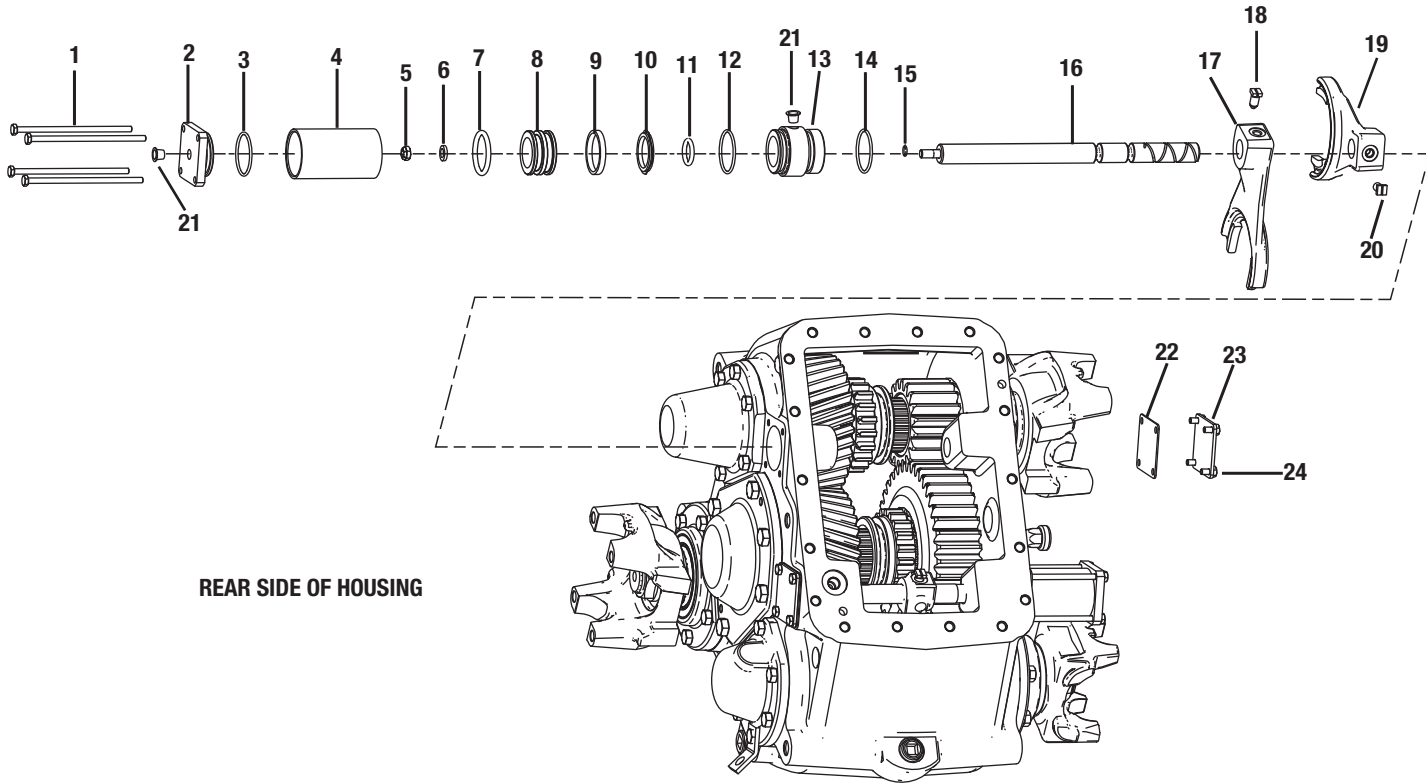
Front Drive Declutch Shift



FRONT SIDE OF HOUSING

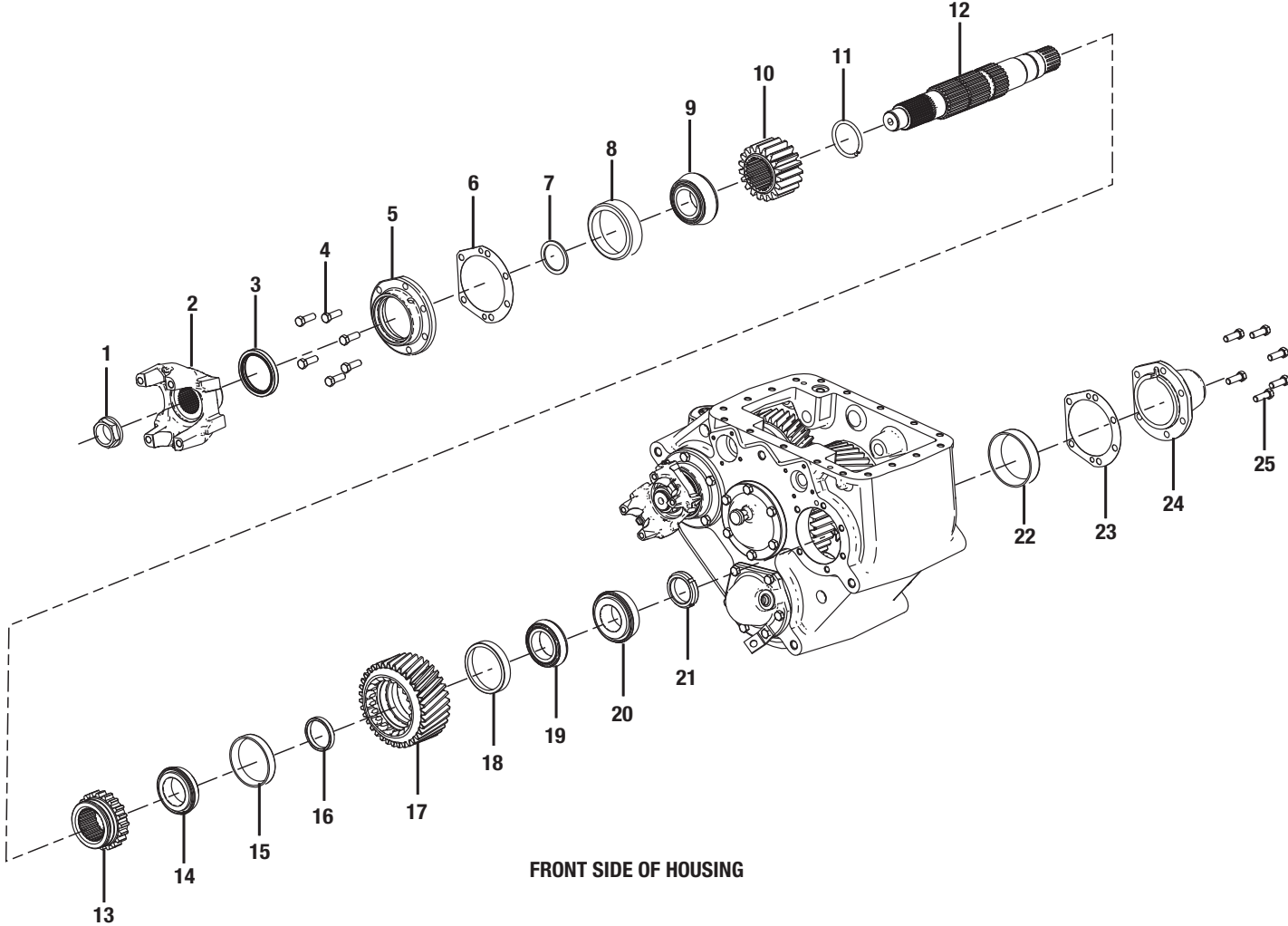
Item	Description	Qty	Part Number
1	Capscrew	4	265-0892
2	Air Shift Cylinder Cap	1	235-0352
3	O-ring	1	675-0326-V14
4	Tube	1	883-0479
5	Nut	1	688F-0464
6	Washer	1	927-0463
7	O-ring	1	675-0224-V14
8	Shift Piston	2	735-0232
9	Felt Ring	1	339-0223
10	Nylon Stop Ring	1	736-0747
11	O-ring	1	675-0224-V14
12	Shift Cylinder Adapter	1	883-0877
13	O-ring	1	675-0224-V14
14	Spring	1	777-0485
15	Shaft O-ring	1	675-0316-V14
16	Shift Shaft	1	769-0285
17	Input Shift Fork	1	367-0293
18	Set Screw	1	724-0222
19	Plug	1	758-0338
20	Indicator Switch	1	798-0538
21	Plastic Plug	1	758-0364
22	Copper Washer	1	927-0427
23	Plunger Pin (Switch Dowel)	1	746-0678
24	Gasket	1	427-0399-002
25	Shift Shaft Cap	1	235-0372
26	Capscrew	4	265-0343

High Underdrive Shift Assembly



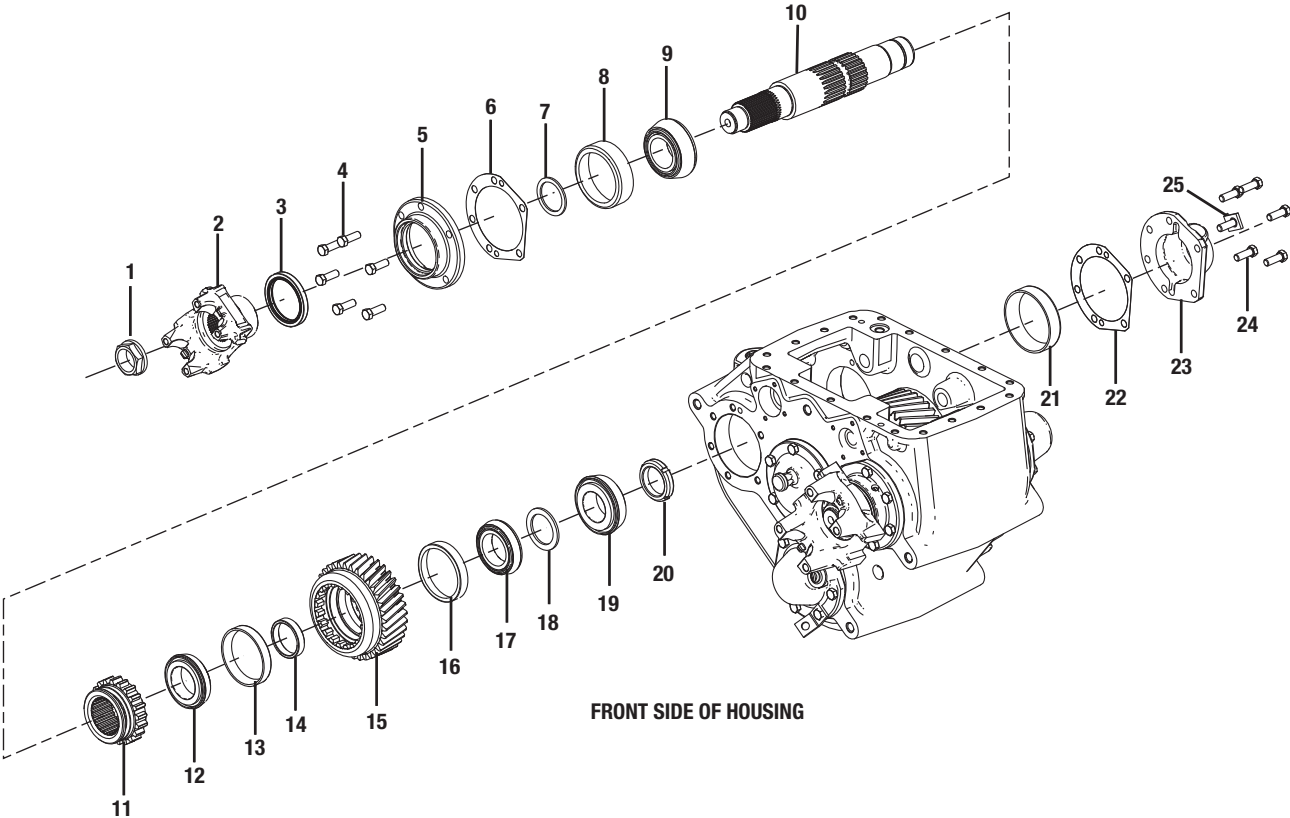
Item	Description	Qty	Part Number
1	Capscrew	4	283-0228
2	Air Shift Cylinder Cap	1	235-0352
3	O-ring	1	675-0224-V14
4	Tube	1	883-0877-003
5	Nut	1	688F-0464
6	Washer	1	927-0463
7	O-ring	1	672-0224-V14
8	Shift Piston	2	753-0232
9	Felt Ring	1	339-0223
10	Nylon Stop Ring	1	736-0747
11	O-ring	1	675-0326-v14
12	Shift Cylinder Internal O-ring	1	675-0224-V14
13	Shift Cylinder Adapter	1	883-0877
14	O-ring	1	675-0224-V14
15	Shaft O-ring	1	675-0316-V14
16	Shift Shaft	1	769-0437-001
17	Under Drive Shift Fork	1	367-0268
18	Set Screw	1	724-0222
19	Direct Drive Shift Fork	1	367-0294
20	Set Screw	1	724-0222
21	Plug, if equipped	1	758-0338
22	Gasket	1	427-0399-002
23	Shift Shaft Cap	1	235-0372
24	Capscrew	4	265-0343

Input Shaft Assembly



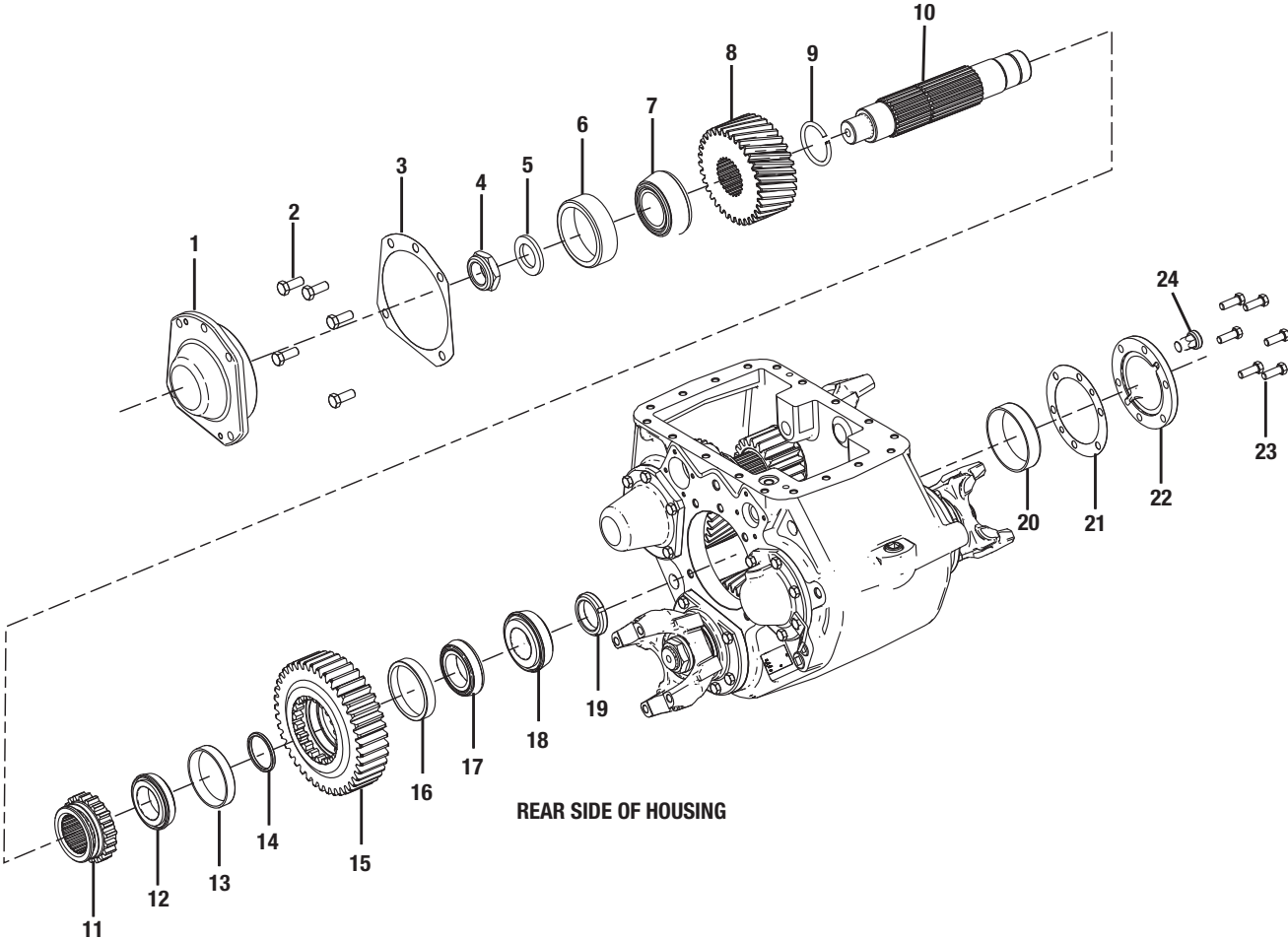
Item	Description	Qty	Part Number
1	Nut. Lock	1	688-0697-004
2	Yoke	1	
3	Seal Assembly	1	732-0384
4	Bolt	6	265-0238
5	Seal Carrier	1	237-0587-003
6	Gasket	1	427-0339
7	Washer	1	927-0828
8	Bearing Cup	1	233-0479
9	Bearing Cone	1	233-0478
10	19T Underdrive Gear	1	432-0674
11	Snap Ring Split	1	762-0292
12	Input Shaft	1	769-0453
13	Clutch Gear	1	432-0556
14	Bearing Cone	1	233-0485
15	Bearing Cup	1	233-0274
16	Spacer	1	756-0268-006
17	35T Input Gear	1	432-0676
18	Bearing Cup	1	233-0274
19	Bearing Cone	1	233-0485
20	Bearing Cone	1	233-0548
21	Nut	1	688F-0739
22	Bearing Cup	1	233-0547
23	Shim	AR	427-0399
24	Rear Cap	1	237-0587-002
25	Bolt	6	265-0238

Front Output Shaft Assembly



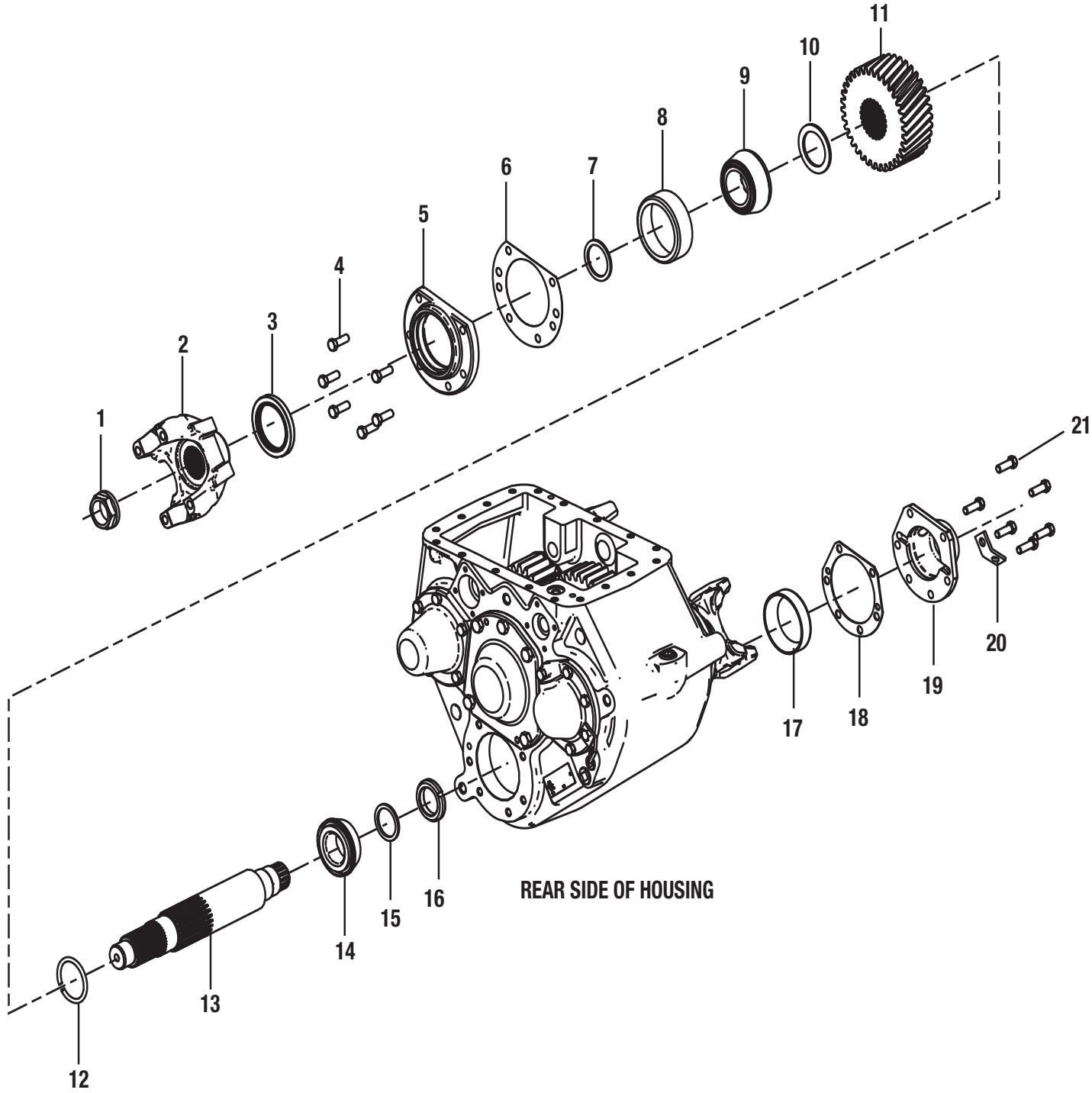
Item	Description	Qty	Part Number
1	Nut	1	688-0697-004
2	Yoke	1	
3	Seal Assembly	1	732-0384
4	Bolt	6	265-0238
5	Seal Carrier	1	237-0587-003
6	Gasket	1	427-0339
7	Washer	1	927-0828
8	Bearing Cup	1	233-0479
9	Bearing Cone	1	233-0487
10	19T Underdrive Gear	1	432-0674
11	Snap Ring Split	1	762-0292
12	Input Shaft	1	769-0453
13	20T Clutch Gear	1	432-0556
14	Bearing Cone	1	233-0485
15	Bearing Cup	1	233-0274
16	Spacer	1	756-0268-006
17	35T Input Gear	1	432-0676
18	Bearing Cup	1	233-0274
19	Bearing Cone	1	233-0485
20	Bearing Cone	1	233-0548
21	Nut	1	688F-0739
22	Bearing Cup	1	233-0547
23	Shim	AR	744-1322
24	Rear Cap	1	235-0375-002
25	Bolt	6	265-0238

Intermediate Shaft



Item	Description	Qty	Part Number
1	Rear Cap	1	235-0623
2	Bolt	5	265-0238
3	Gasket	1	427-0529
4	Lock Nut	1	688-0694
5	Washer	1	927-0775-007
7	Bearing Cup	1	233-0376
8	Bearing Cone	1	233-0377
9	Snap Ring	1	762-0292
10	Intermediate Shaft	1	769-0467
11	Clutch Gear	1	432-0556
12	Bearing Cone	1	233.0485
13	Bearing Cup	1	233-0274
14	Spacer	1	756-0268-001
15	Gear 41T Underdrive	1	432-0675
16	Bearing Cup	1	233-0545
17	Bearing Cone	1	233-0485
18	Bearing Cone	1	233-0548
19	Nut	1	688F-0739
20	Bearing Cup	1	233-0545
21	Shim	AR	744-0352-001
22	Front Cap	1	235-0629
23	Bolt	6	265-0238
24	Breather	1	836-0223

Rear Output Shaft



Item	Description	Qty	Part Number
1	Nut, 1 1/2-12 Hex Flanged	1	688-0697-004
2	Yoke	1	964-0364
3	Oil Seal	1	732-0372
4	Bolt, 7/16-14 x 1.25 GR HH	6	265-0238
5	Carrier, Seal	1	237-0589
6	Gasket, Rear Output Seal Carrier	1	427-0466
7	Washer, Spacer BRG	1	927-0829
8	Bearing Cup	1	233-0458
9	Bearing Cone	1	233-0457
10	Washer, Bearing Spacer	1	927-0758
11	Gear, 35T Helical	1	432-0554
12	Snap Ring	1	762-0292
13	Shaft, Rear Output	1	769-0466
14	Bearing Cone	1	233-0455
15	Washer - Spacer BRG	1	927-0829
16	Nut	1	688-0743
17	Bearing Cup	1	233-0456
18	Shim	AR	744-1322
19	Cap, Shaft	1	235-0632
20	Bracket	1	273-0687
21	Bolt, 7/16-14 X 1.25 GR8 HH	6	265-0238

Meritor Heavy Vehicle Systems, LLC
2135 West Maple Rd
Troy, MI 48084 USA
866-OnTrac1 (668-7221)
meritor.com

Copyright 2020
Meritor, Inc.

Printed in USA
07-21
PB-21110

